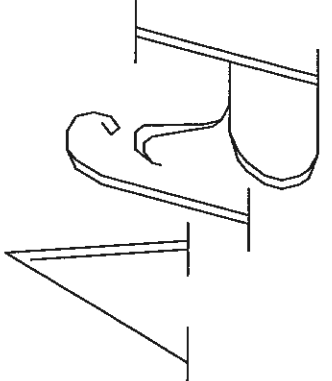
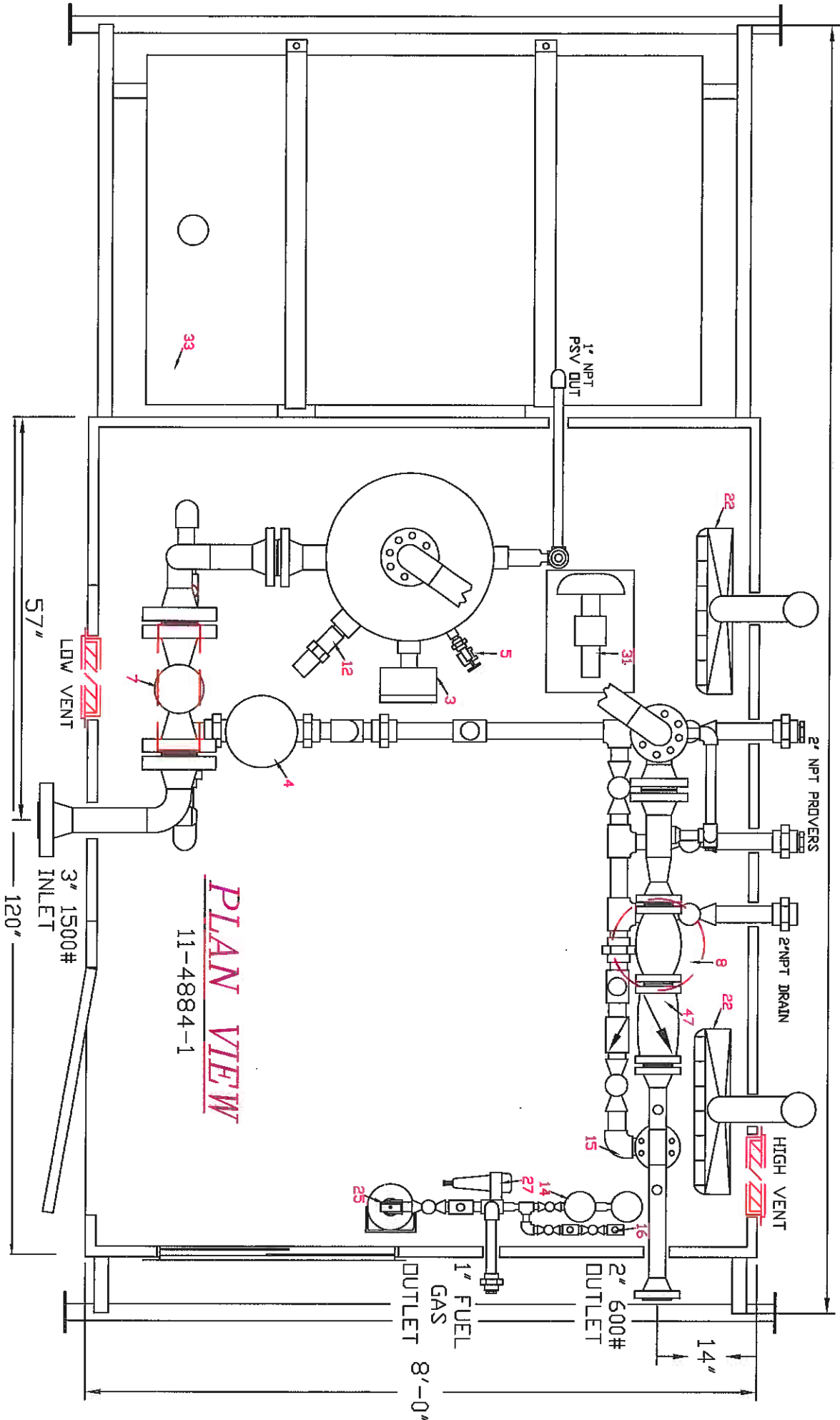


SHIPPING DETAILS

TOTAL WIDTH- 10'-8" TOTAL LENGTH- 15'-4"
 TOTAL HIEGHT- 12'-4" APROX. WIEGHT- 7700 LBS

REV	DATE	DESCRIPTION	BY
			
<p><u>GAS FIELD SERVICES D.</u> 4901 BRUCE RD VEGREVILLE, ALTA T9C-1C3 PHONE (780) 632-7774 FAX (780) 632 6820</p>			
<p>TITLE: <u>SKYWEST ENERGY</u> 24"x8' S/S 1500#/600# ANSI SEPARATOR/METER SKID UNIT, 2 PHASE CONTRDLS, SWEET SERVICE, METHANDL TANK</p>			
DWG. #	4884-1	REV. #	RJV JOB # 11-4884
<p><u>WARNING !</u></p> <p style="color: red;">This drawing and the design it covers are confidential and shall not be disclosed in any manner, or used for any purpose, except with written consent of, R.J.V. Gas Field Services Ltd.</p>			
DWN. BY:	SI	DATE:	JUNE 17/11
		SCALE:	NTS



15'-4"

57"

120"

LOW VENT

3" 1500# INLET

PLAN VIEW
11-4884-1

1" NPT PSV OUT

2" NPT PROVERS

2" NPT DRAIN

HIGH VENT

2" 500# OUTLET

1" FUEL GAS OUTLET 8'-0"

14"

33

5

3

12

4

7

31

22

22

47

15

16

25

14

27

15'-4"

57"

120"

LOW VENT

3" 1500# INLET

PLAN VIEW
11-4884-1

1" NPT PSV OUT

2" NPT PROVERS

2" NPT DRAIN

HIGH VENT

2" 500# OUTLET

1" FUEL GAS OUTLET 8'-0"

14"

33

5

3

12

4

7

31

22

22

47

15

16

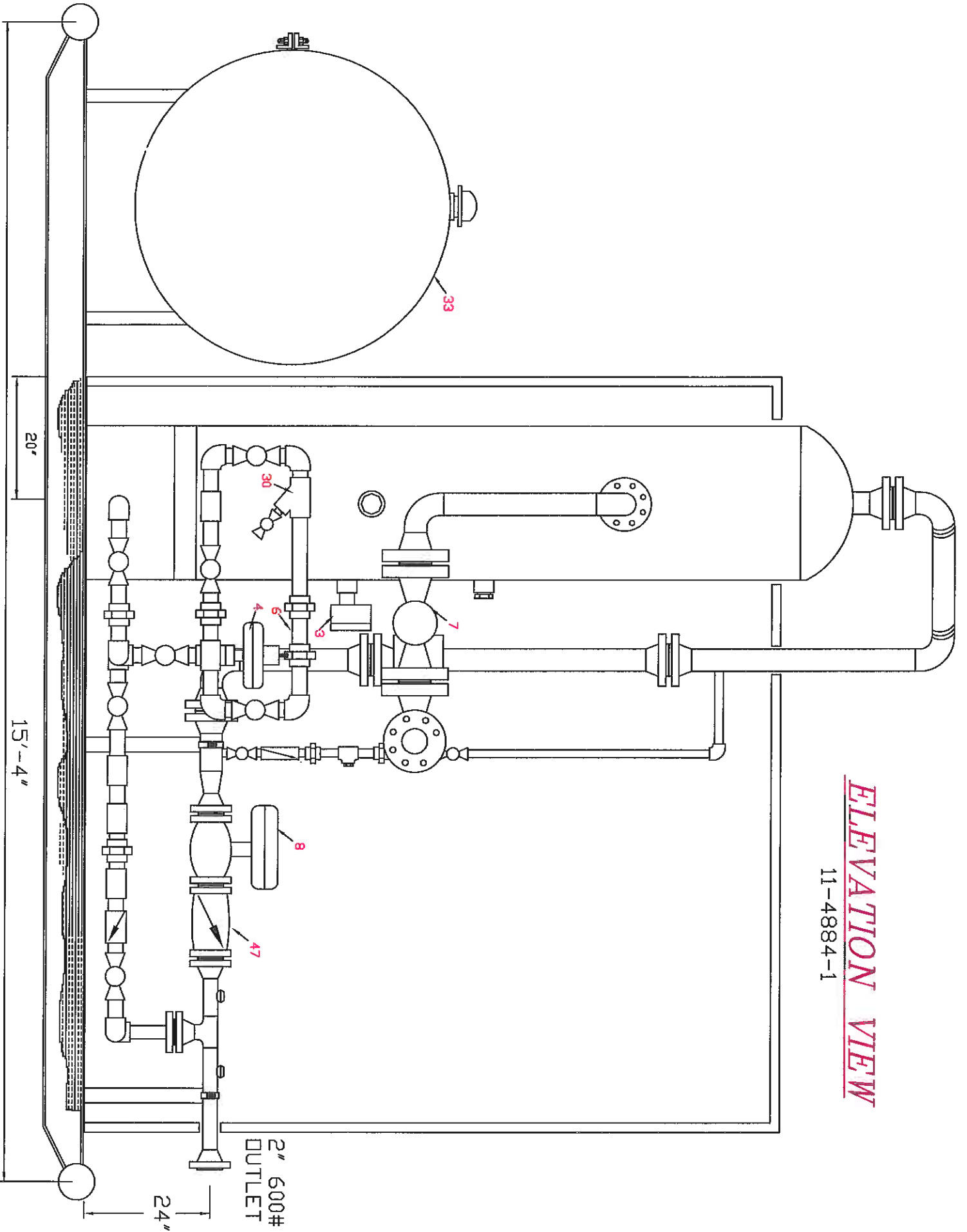
25

14

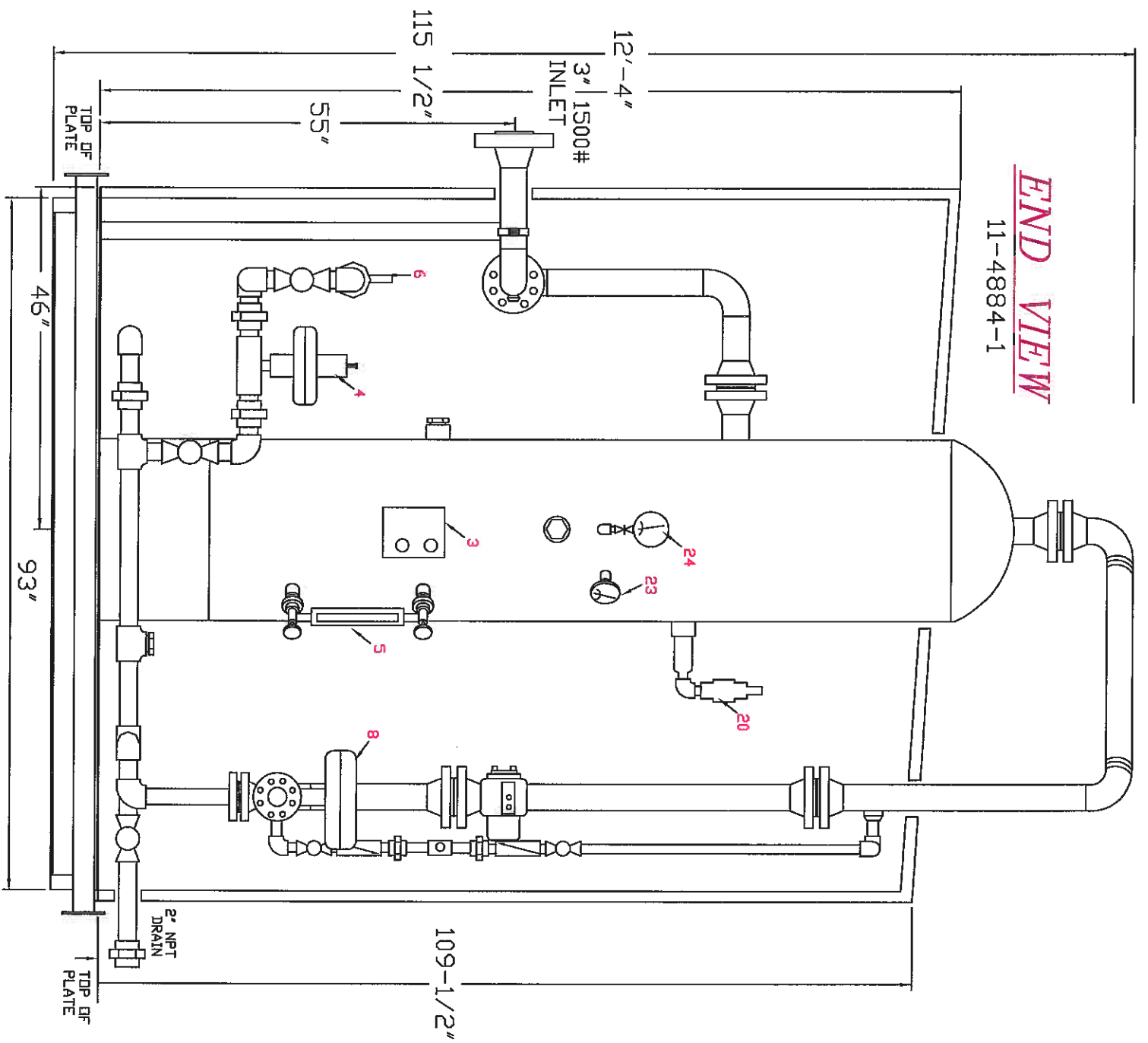
27

ELEVATION VIEW

11-4884-1



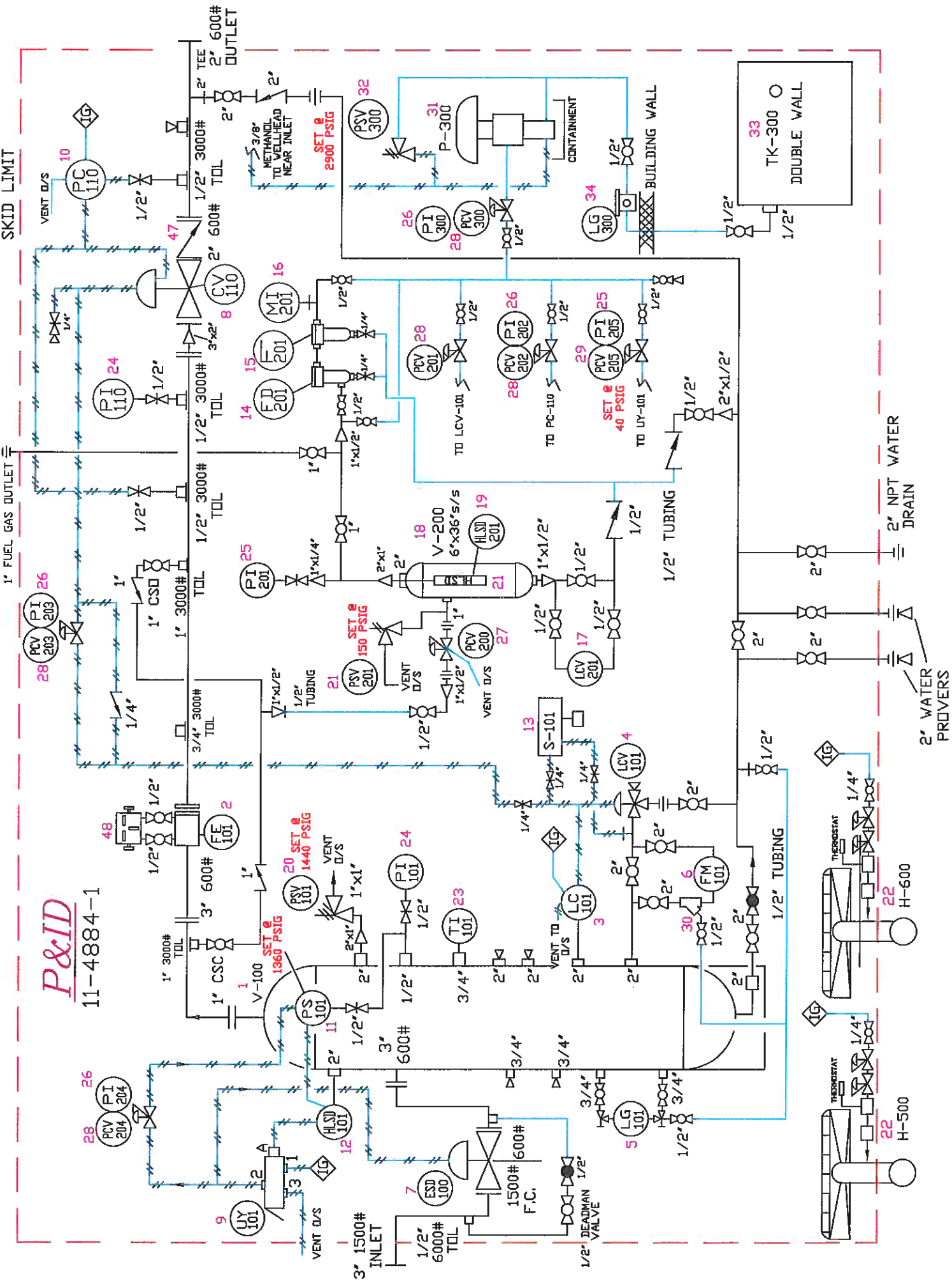
END VIEW
11-4884-1



SKID LIMIT

1' FUEL GAS OUTLET

P&ID
11-4884-1



2" NPT WATER

2" WATER PROVERS

TK-300 DOUBLE WALL

H-600

H-500

EQUIPMENT & MATERIAL

TAG#	ITEM	QTY	DESCRIPTION
V-100	1	1	RJV 24"XB' s/s 600 ANSI, 1440 PSI, 3 PHASE VERTICAL MISTEX SEPARATOR c/w 1/8" CORROSION ALLOWANCE.
FE-101	2	1	NORTHSTAR 3" 600 ANSI SCH 80 (SENIOR) DUAL FITTING (6B" O/A) AGA FIG 3C, .7 BETA RATIO, 3 TAPS- 1, 3/4" & 2, 1/2" NPT, c/w 1 304 SST BRIFICE PLATE AND PLATE RETAINER, STD. SERVICE
LC-101	3	1	DYNA-FLO 2" NPT SERIES 5000 LIQUID LEVEL CONTROL, STANDARD, CS BODY, SNAP ACTING, c/w 1-7/8" x 12" PVC DISPLACER.
LCV-101	4	1	DYNA-FLO 2" NPT, MODEL DF33 CONTROL VALVE, 0-35 PSIG SIGNAL (ON/OFF) 1" PORT SIZE, STD. SERVICE.
LG-101	5	1	PENBURTHY MOD# 1TM5 LEVEL GAUGE c/w 330J GAUGE COCKS, c/w 1/2" NPT BALL DRAIN VALVE & TUBING.
FM-101	6	1	PRIMARY FLOW 2" NPT, LIQUIDS TURBINE METER, MODEL TM0200, c/w NU-FLOW PRE AMP, MAGNETIC PICK-UP.
ESD-100	7	1	MERIDIAN 3" 1500# RT.J. BALL VALVE, c/w CVS MODEL#CVSC160SR11, PNEUMATIC ACTERATOR, FAIL CLOSED, 80 PSIG. SUPPLY PRESSURE.
CV-110	8	1	KIMRAY 2" 600# SERIES CONTROL VALVE, STANDARD SERVICE, MODEL#EFT-2150-FMT-PB-2"-IV, 2" INNER VALVE.
UY-101	9	1	CVS 1/4" NPT, MODEL 4057D025H2 PNEUMATIC 3-WAY VALVE.
PC-110	10	1	CVS TYPE 4150 PRESSURE CONTROLLER, STD. SERVICE, 5-30 PSIG OUTPUT, 0-1500 PSIG SST BOURDON TUBE.
PS-101	11	1	REVERSE ACTING, SENSING DOWNSTREAM, CVS TYPE 7979 HI PRESSURE PLODT, AUTO RESET, 1/2" NPT., 1360 PSI. RISING, SENSING ON VESSEL.
HLSD-101	12	1	SOR 2" NPT, MODEL 1540C PNEUMATIC LEVEL SWITCH, CARBON STEEL BODY, 316 SST FLOAT, STD. SERVICE.
S-101	13	1	METER MAN HIGH PRESSURE AUTO PROPORTIONAL LIQUIDS SAMPLER SYSTEM AUTOMATIC SHUT-OFF, 1/4" SAMPLE PROBE, 2 LITER BOTTLE
FD-201	14	1	CCI THERMAL 1/4" NPT., MODEL #NGS-4 DRYER, ALUMINUM BODY, c/w 2-TYPE "MS" CONTAMINATION REMOVAL CARTRIDGES.
F-201	15	1	HEADLINE 1/2" NPT., MODEL #360A, c/w 1-P/N 25-64-70C ELEMENT.
MI-201	16	1	CCI THERMAL 3/4" NPT., MOISTURE INDICATOR.
LCV-210	17	1	COLTON 3/4"x 1/2" NPT., MODEL AVDT-150 AUTO-DRAIN TRAP, CAST IRON BODY, 150 PSIG. MAX. OPERATING PRESSUR, STD.
V-200	18	1	RJV 6"x36" s/s FUEL GAS SCRUBBER 150 PSI DESIGN PRESS.
HLSD-201	19	1	RJV 2"x1" FORGED STEEL FGSV #5100M, c/w DEMISTER WRAP
PSV-101	20	1	TAYLOR 1"x1" NPT MODEL #T-8200-1 STD. SERVICE, set@ 1440 PSI.
PSV-201	21	1	TAYLOR 1"x1" NPT MODEL #T-8200-1 STD. SERVICE, set@ 150 PSI.
H-500/600	22	2	CATADYNE BX24X24 24,000 BTU, 12 VDC, NATUAL GAS HEATER c/w STANDS, SSDV, REGULATORS, 25 FT CABLES, THERMOSTAT, GRILL, VENT HOOD & ELECTRICAL AS PER CEC REGULATIONS.
TI-101	23	1	TREND MOD 33, 3" DIAL, DS, -40/120°F, c/w 304 SST TOW, 4" STEM DN SEPARATOR.
PI-101/110	24	2	WIKA 4" DIAL 1/2" NPT BOT CONN. #233.50 LIQUID FILLED, DS, 0/1500# PSI c/w PANAM 1/2" 6000# ISOLATION/BLEED VALVES (SEPARATOR & OUTLET PIPING).
PI-201/205	25	2	WIKA 2 1/2" DIAL 1/4" NPT BOT CONN. #233.50 LIQUID FILLED, DS, c/w PANAM 1/4" 6000# NEEDLE ISOLATION VALVES 0/200 PSI (FUEL GAS SCRUBBER/NO VALVE DN PI-205.)
PI-202/203 204/300	26	4	WIKA 2 1/2" DIAL 1/4" NPT BOT CONN. #233.50 LIQUID FILLED, 0/60 PSI
PCV-200	27	1	FISHER 1" NPT TYPE P627-483 REGULATOR, CARBON STEEL BODY, 1/8" DRIFICE, 2000 PSI. MAX., 70-125 PSI RANGE SET@ 100 PSIG
PCV-201/202 203/204/300	28	5	FISHER 1/4" NPT TYPE 67CFR-362, REGULATOR, 0-35 PSI., SPRING RANGE, SET @ 30 PSI. IG SUPPLY.
PCV-205	29	1	FISHER 1/4" NPT TYPE 67CFR-601, REGULATOR, 0-100 PSI., SPRING RANGE, SET @ 80 PSI. IG SUPPLY.
YS-101	30	1	2" NPT. ALBERTA STRAINER, FIG# YS600, 1480 PSIG.
P-300	31	1	BRUIN MODEL BR51 PNEUMATIC CHEMICAL INJECTION PUMP, c/w MICRO VALVE, 3000 PSI DISCHARGE PRESSURE, 3/8" STEEL PLUNGER
PSV-300	32	1	NUPRO 1/4" #SS-4R3A5-EP/177-R3A-K1-C, SET @ 2,900 PSIG.
TK-300	33	1	GRANBY 500 GAL DOUBLE WALL STORAGE TANK c/w FILL CAP
LG-300	34	1	RJV 5700-48-CVR METH. TANK METERING/LEVEL GAUGE. 4FT.
	35	2	MERIDIAN 1/4" NPT 2000# CARBON STEEL BODY
	36	15	MERIDIAN 1/2" NPT 2000# CARBON STEEL BODY
	37	2	MERIDIAN 3/4" NPT 2000# CARBON STEEL BODY
	38	2	MERIDIAN 1" NPT 2000# CARBON STEEL BODY
	39	10	MERIDIAN 2" NPT 2000# CARBON STEEL BODY
	40	1	PANAM 2" NPT, CLASS 800# GLOBE VALVE.
	41	7	PANAM 1/4" NPT 6000# CARBON STEEL NEEDLE VALVES.
	42	2	PANAM 1/2" NPT 6000# CARBON STEEL BLEED NEEDLE VALVES.
	43	2	PANAM 1/4" NPT 3000# CB-25 BALL CHECK.
	44	2	PANAM 1/2" NPT 3000# CB-50 BALL CHECK.
	45	2	PANAM 1" NPT 3000# CB-100 BALL CHECK.
	46	1	DVH 2" NPT. 3,000 PSIG., SWING STYLE TYPE CHECK VALVE.
	47	1	DVH 2" 600# RFF, SWING STYLE TYPE CHECK VALVE.
	48	1	PANAM 5-VALVE MANIFOLD CARBON STEEL, MOUNTED ON METER RUN
	49	1	EXCAILBER 1/2" NPT. 6000 PSI. FIG#T3-F10S20-S. SPRING RETURN
	50	1	PANAM 1/2" NPT. CLASS 1500# GLOBE VALVE.
			TUBING- 3/8" & 1/2" DD .035 WT 316 STAINLESS STEEL
			TUBE FITTINGS- SWAGelok 316 STAINLESS STEEL
			FR PRESSURE SENSING LINES & FG TAKE-OFFS SHALL BE 1/2" DD
			SKID- RJV 8"x15'-4" c/w 608.2 CHANNEL IRON(CHECKER FLOORING SUPPORTS)
			CROSS BEAMS) 5"X6.7 CHANNEL IRON(CHECKER FLOORING SUPPORTS)
			3/16" CHECKERED PLATE(FLOORING), 2" POLYURETHANE
			UNDERSKID INSULATION AND 2 3/8" PULL BARS EACH END
			BUILDING- 8"x10"x114"x108" URETHANE INJECTED PANEL TYPE c/w
			SHED STYLE ROOF, 26 GAUGE WHITE STEEL EXTERIOR WALLS,
			R12 INSULATION, INTERIOR 26 GAUGE WHITE STEEL,
			DOOR- 3'X7' URETHANE INJECTED PANEL TYPE, c/w PANIC LOCK
			WEATHER STRIPPING, CHAIN CHECK, DOOR SWEEP,
			WINDOW- 1, 36"X36" DG SLIDER c/w SCREENS.
			VENTS- 2, 12"X12" INSULATED ALUMINUM LOUVRED c/w SCREENS.
			FLANGES: SA-105N 600 ANSI; 2" SCH 80 & 3" 1500# SCH. 160
			WELD FITTINGS: SA-234-WPB; 2" SCH 80 & 3" 1500# SCH 160.
			SCREWED FITTINGS: SA-105N 3000# FS.
			SCREWED UNIONS: SA-105N 3000# FS.
			FLANGES: SA-105N 3000# FS.
			PIPE AND NIPPLES: SA-106 GR B SEAMLESS.
			WELDED- 2" SCH 80/160
			THREADED PIPE, NIPPLES, SWAGES.- 150/600/1500# SCH 80/160/XXH
			BOLTING ASTM A193 GR B7 STUDS/ASTM A194 GR 2H NUTS.
			GASKETS: 316 SST GRAPHITE FLEXATALLIC.
			WELDED PIPING SHALL BE SUBJECTED TO 10% RADIOGRAPHY.
			WELDED PIPING SHALL BE HYDROTESTED TO 1.5 TIMES DESIGN PRESS
			ALL VENTING CONTROLS AND INSTRUMENTS SHALL BE VENTED TO
			SKID EDGE AND ALL CONTROLS OPERATIONALLY AIR TESTED.
			ALL METAL SURFACES SHALL BE MECHANICALLY CLEANED TO
			SSPC-SP-2, 1 COAT OF GREY PRIMER AND 1 FINISH
			COAT OF ENAMEL PAINT SHALL BE APPLIED AS FOLLOWS-
			CHECKERED PLATE FLOORING: WARM GREY
			STEEL SKIDS, EQUIPMENT, PIPING & TANKS: WARM GREY

11-4884-1