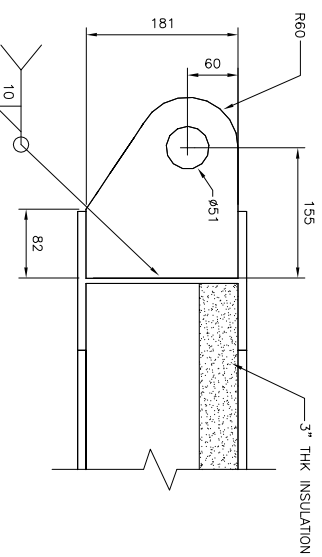


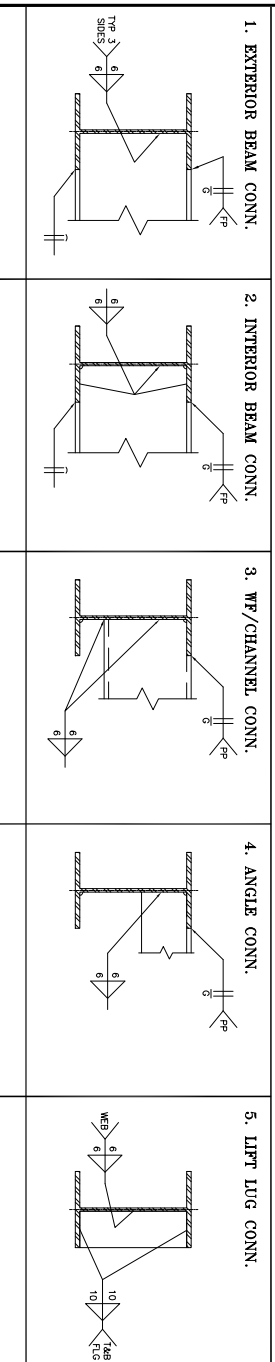
PLAN VIEW



DETAIL ITEM #7

( 1 ) REQ'D  
TIME CARD  
14-085-SK

WELD DETAILS

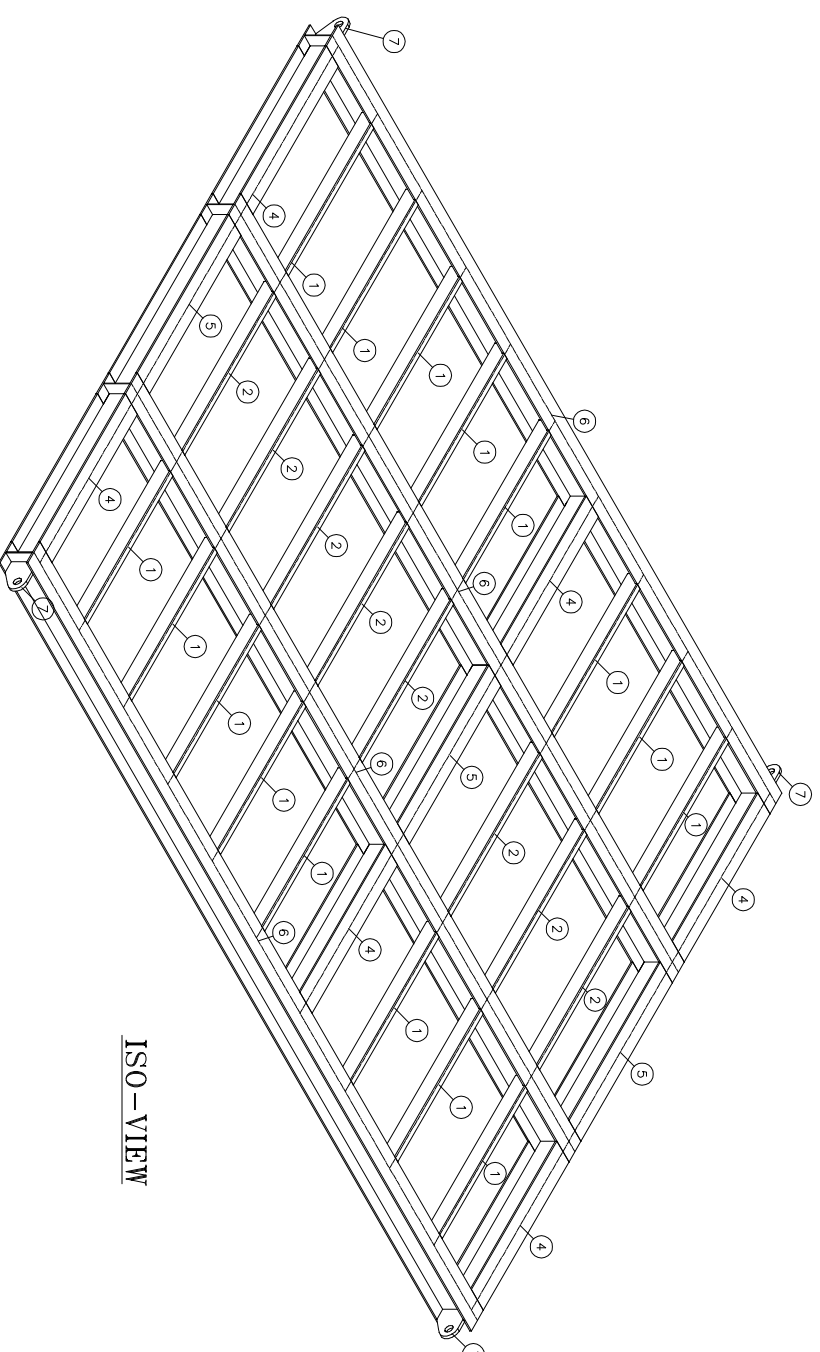


STRUCTURAL STEEL NOTES:

1. ALL STEEL AND FABRICATION/ERECTION SHALL CONFORM TO:
  - CSA STANDARD SPECIFICATION DESIGN OF STEEL STRUCTURES.
  - CSA W59 WELDED STEEL CONSTRUCTION.
2. MATERIALS SHALL CONFORM TO THE FOLLOWING GRADES OF CSA G40.21:
  - HOLLOW CONSTRUCTION SECTIONS - 350W
  - ROLLED SECTIONS - 350W
  - ALL OTHER SECTIONS - 300W
3. COLD FORMED STEEL MEMBERS TO BE IN ACCORDANCE WITH CSA S 136-94
4. BOLTS SHALL BE IN ACCORDANCE WITH ASTM A325M-93 SPECIFICATION FOR HIGH STRENGTH BOLTS FOR STRUCTURAL STEEL JOINTS.
5. BOLTS, NUTS AND WASHERS TO BE GALVANIZED.
6. GRATING SHALL BE FINISHED FOLLOWING STANDARD GALVANIZED TYPE BARS UNLESS NOTED OTHERWISE.
7. GRATING TO BE WELDED TO STRUCTURAL SUPPORT STEEL EXCEPT FOR REMOVABLE PANELS WHICH SHALL BE FASTENED WITH SADDLE-TYPE CLIPS PER MANUFACTURER'S SPECIFICATIONS.
8. ALL CONNECTIONS SHALL BE A MINIMUM OF 6mm ALL ROUND FILLET WELD UNLESS NOTED OTHERWISE.
9. ALL WELDING TO CONFORM TO CSA W59.
10. WELDING ELECTRODES SHALL CONFORM TO CAN/CSA-W48-01 AND SHALL BE E49xx CLASSIFICATION FOR MANUAL WELDING TO 300W OR 350W STEEL.
11. ALL STEEL TO BE PRIMED AND PAINTED BLACK.
12. UNDERSIDE OF SKID (BUILDING AREA ONLY) SHALL BE INSULATED WITH 3" THK. SPRAY-ON URETHANE INSULATION.

MARK	QTY	LONG ANNOTATION	LENGTH	WEIGHT
1	16	C100x11	1334	223.29
2	8	C100x11	1416	118.77
3	1	CHECKER PLATE, PL-6 X 6096 X 4267	6096	1229.47
4	6	W200x36	1334	260.30
5	3	W200x36	1416	138.99
6	4	W200x36	6096	871.00
7	4	LIFTING LUG, PL-20 X 215 X181	-	-
			TOTAL WEIGHT:	2837.82

BILL OF MATERIAL



ISO-VIEW

REV.	DESCRIPTION	PM	ENG	DATE	BY	DATE
Δ	ISSUED FOR CONSTRUCTION			LD 13-10-18		
Δ	ISSUED FOR APPROVAL			LD 13-10-08		
	PROJECT CO-ORINATOR CHECKED:			DATE:		

**PRELINK**  
FABRICATION LTD.

BRAIN BY:	LD	PROJECT#	PEI-12040	DATE:	13-10-08
CHECKED BY:	ET			SCALE:	1:30

CORDOVA d-55-A/94-P-10 FACILITY  
STRUCTURAL SKID FOR  
MCC/AIR COMPRESSOR BUILDING

PENN WEST  
c/o PIONEER ENGINEERING

14-085-F