

DRAWING#	REFERENCE DRAWING TITLE	REV	DATE	DESCRIPTION	DWGN	CHKD	APPR
		A	22JUL2013	ISSUED FOR REVIEW	RR	CF	-
		B	09OCT2013	ISSUED FOR APPROVAL	RR	MG	MG
		0	21OCT2013	ISSUED FOR CONSTRUCTION	RR	MG	MG

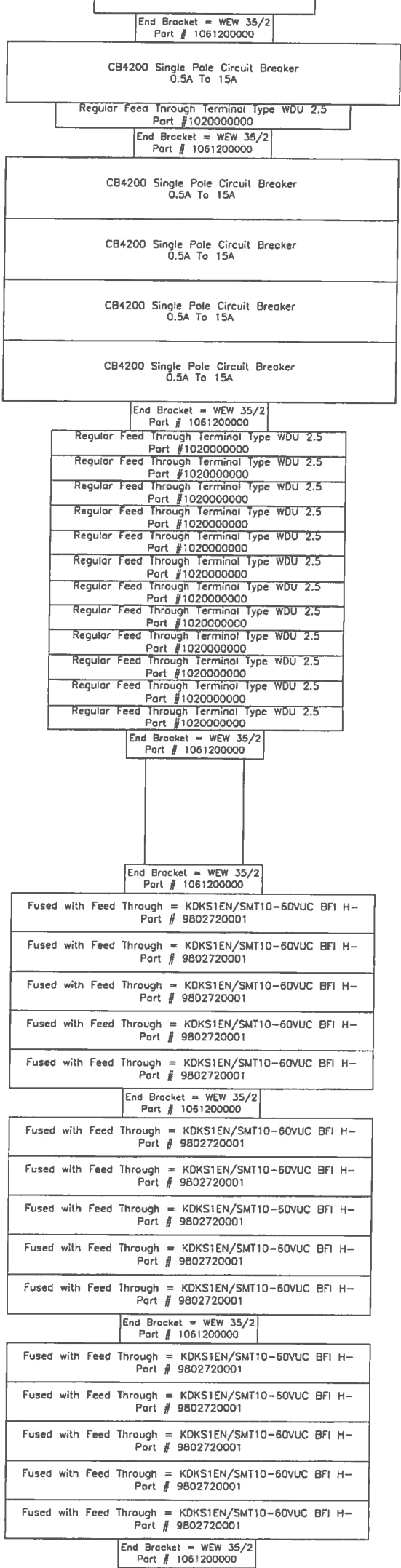
PROFESSIONAL ENGINEER STAMP
 M. A. GHALY
 # 38913
 OCT 24 2013
 ALL REPRODUCTION IN WHOLE OR PART WITHOUT EXPRESS WRITTEN PERMISSION IS PROHIBITED.

PIONEER ENGINEERING INC.
 THIRD PARTY LOGO
 SCALE AS SHOWN SIZE: D
 EPCM PROJECT# 13053

PennWest Exploration
 CORDOVA - MULTI WELL TIE-IN
 PENN WEST WELLSITE
 d-055-A/094-P-10
 Control Panel Layout
 DWG# d055A094P10-ELC-3420
 SH1 1 OF 2 REV 0

A1

LABEL
SCHT5



FLTHM
665 X
662

DRAWING #	REFERENCE DRAWING TITLE

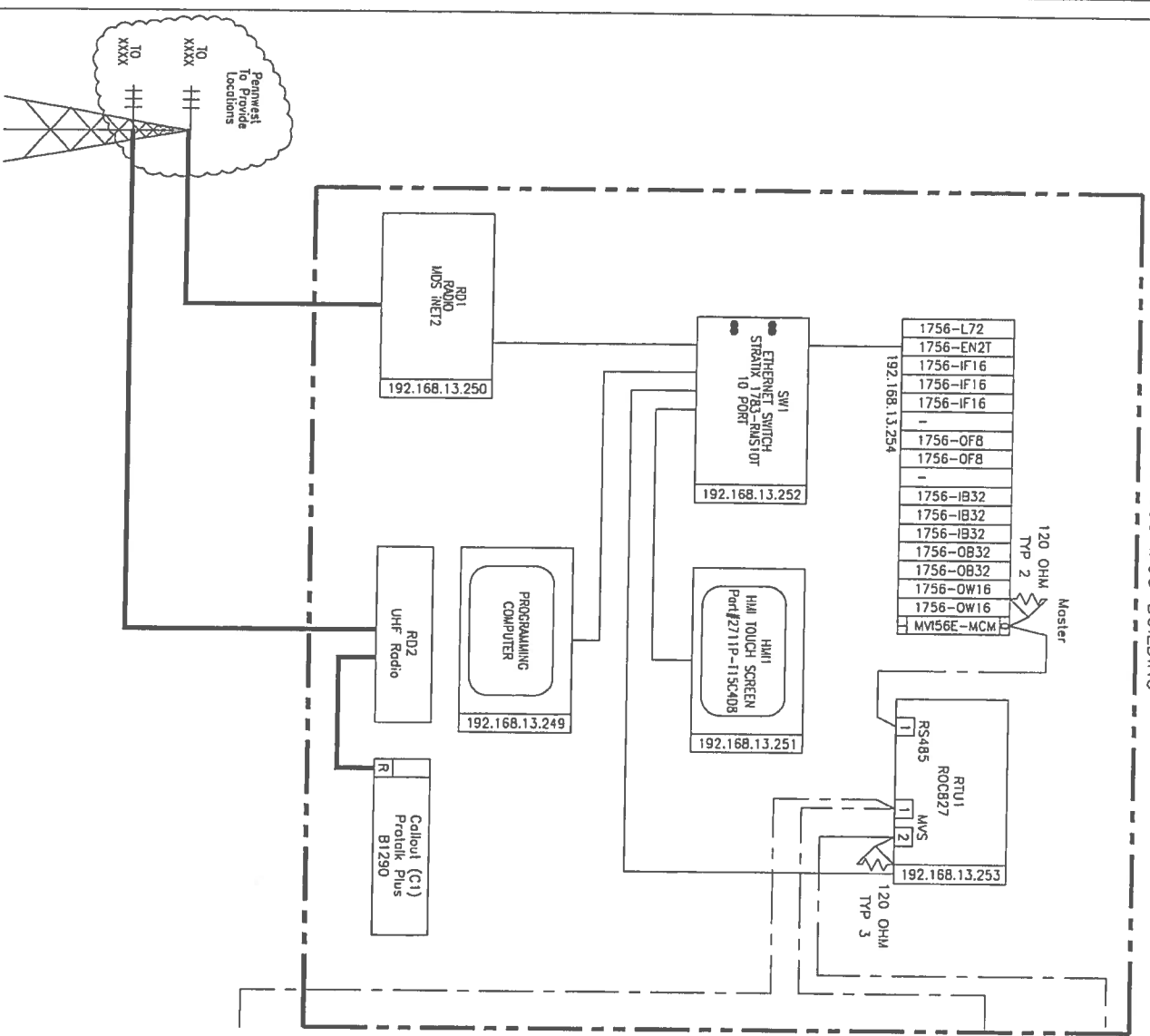
REV	DATE	DESCRIPTION	DWN	CHKD	APPR
A	22JUL2013	ISSUED FOR REVIEW	RR	CF	-
B	08OCT2013	ISSUED FOR APPROVAL	R.R	MG	MG
0	21OCT2013	ISSUED FOR CONSTRUCTION	R.R	MG	MG

PROFESSIONAL ENGINEER
M. A. GHALLY
38913
OCT 24 2013
ENGINEER STAMP
THIS DRAWING IS THE PROPERTY OF PENN WEST ENERGY TRUST AND ANY REPRODUCTION IN WHOLE OR PART WITHOUT EXPRESS WRITTEN PERMISSION IS PROHIBITED.

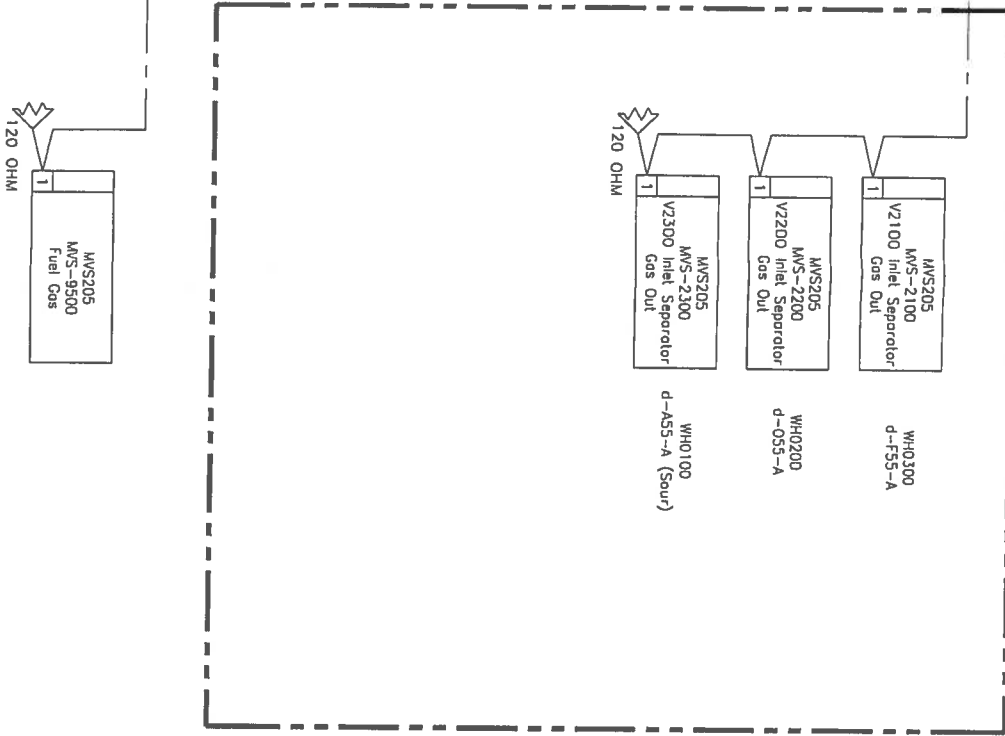
THIRD PARTY LOGO
SCALE AS SHOWN SIZE: D
EPCO PROJECT#: 13053
PIONEER ENGINEERING INC.

PennWest
Exploration
CORDOVA - MULTI WELL TIE-IN
PENN WEST WELLSITE
d-055-A/094-P-10
RTU PANEL TERMINAL LAYOUT
DWG# d055A094P10-ELC-3422
SHT 1 OF 3 REV 0

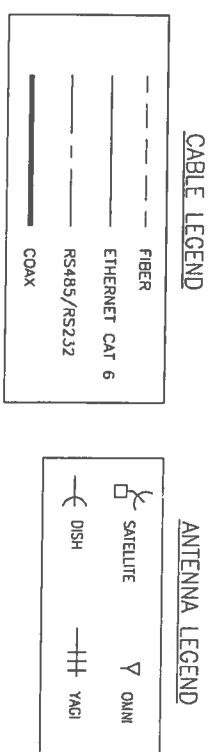
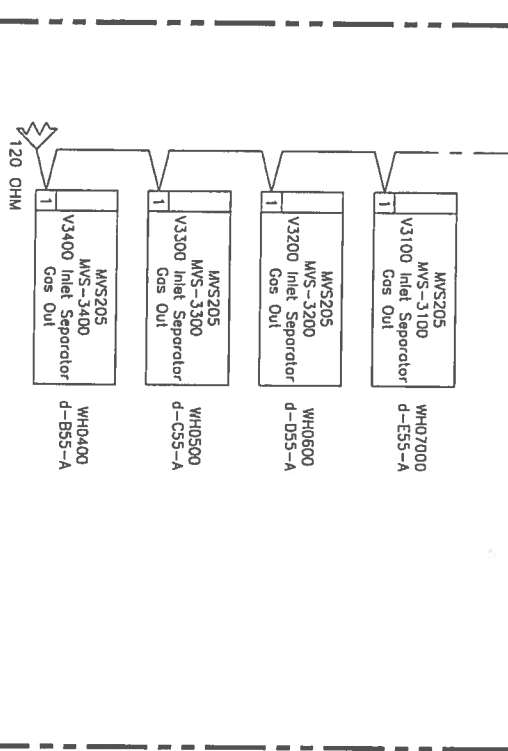
BU7000 MCC BUILDING



BU2000 SEPARATOR BUILDING



BU3000 SEPARATOR BUILDING



1. ALL FIBRE & ETHERNET TECK CABLES ARE TO BE TERMINATED TO A PATCH PANEL OR TERMINATION BOX.
2. ALL ETHERNET CABLES SHALL BE CAT 6.
3. GATEWAY 192.168.13.1 SUBNET 255.255.255.0 DNS 192.168.13.1

DRAWING# REFERENCE DRAWING TITLE

REV	DATE	DESCRIPTION	DWN	CHKD	APPR
A	12JUN2013	ISSUED FOR REVIEW	RR	CF	MG
B	19AUG2013	ISSUED FOR APPROVAL	RR	RR	MG
C	08OCT2013	RE-ISSUED FOR APPROVAL	RR	RR	MG
O	21OCT2013	ISSUED FOR CONSTRUCTION	RR	MG	MG

PROFESSIONAL ENGINEER STAMP

M.A. GHALLY
38913

OCT 24 2013

ANY REPRODUCTION OF THIS DRAWING IS THE PROPERTY OF PENN WEST ENERGY TRUST AND IS PROHIBITED WITHOUT WRITTEN PERMISSION.

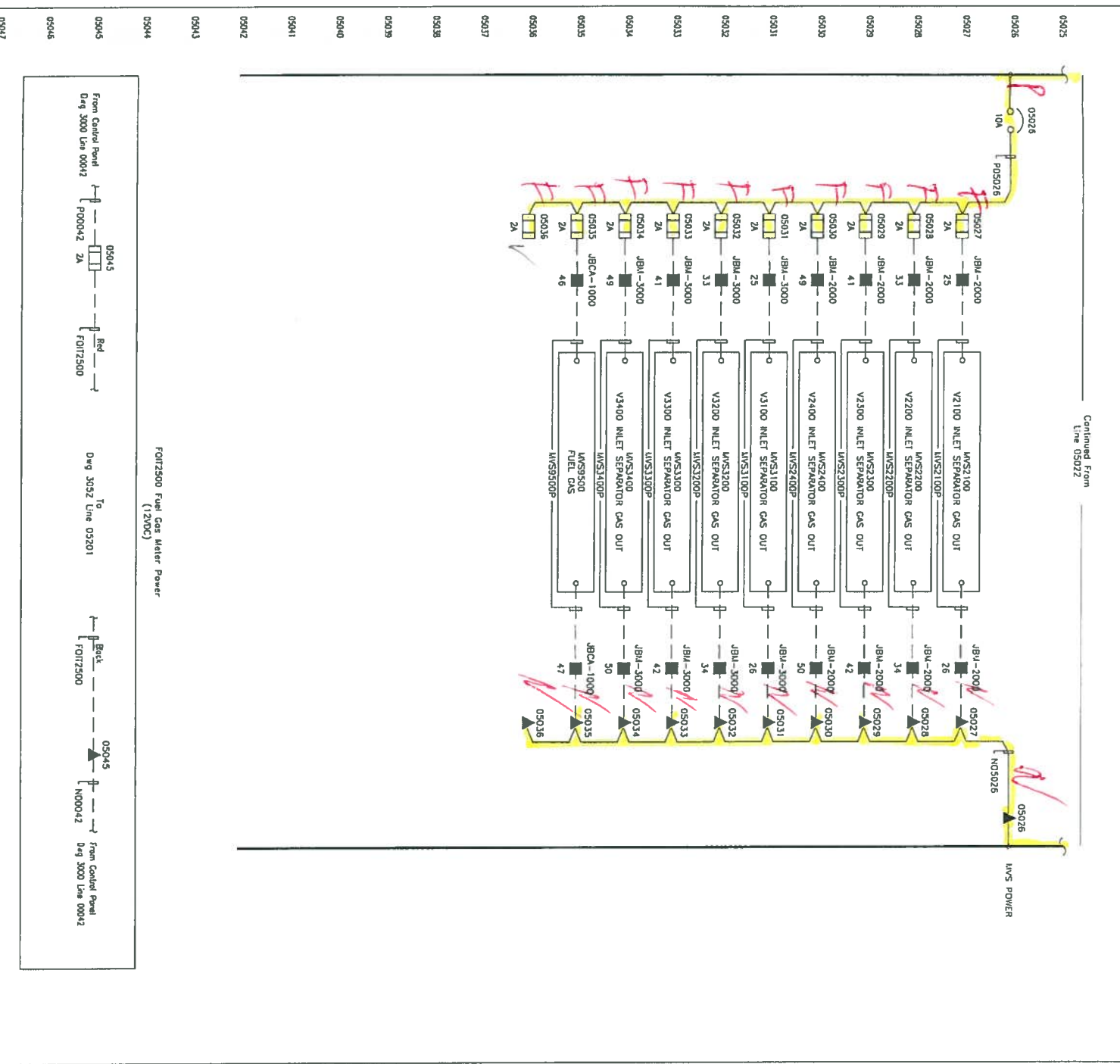
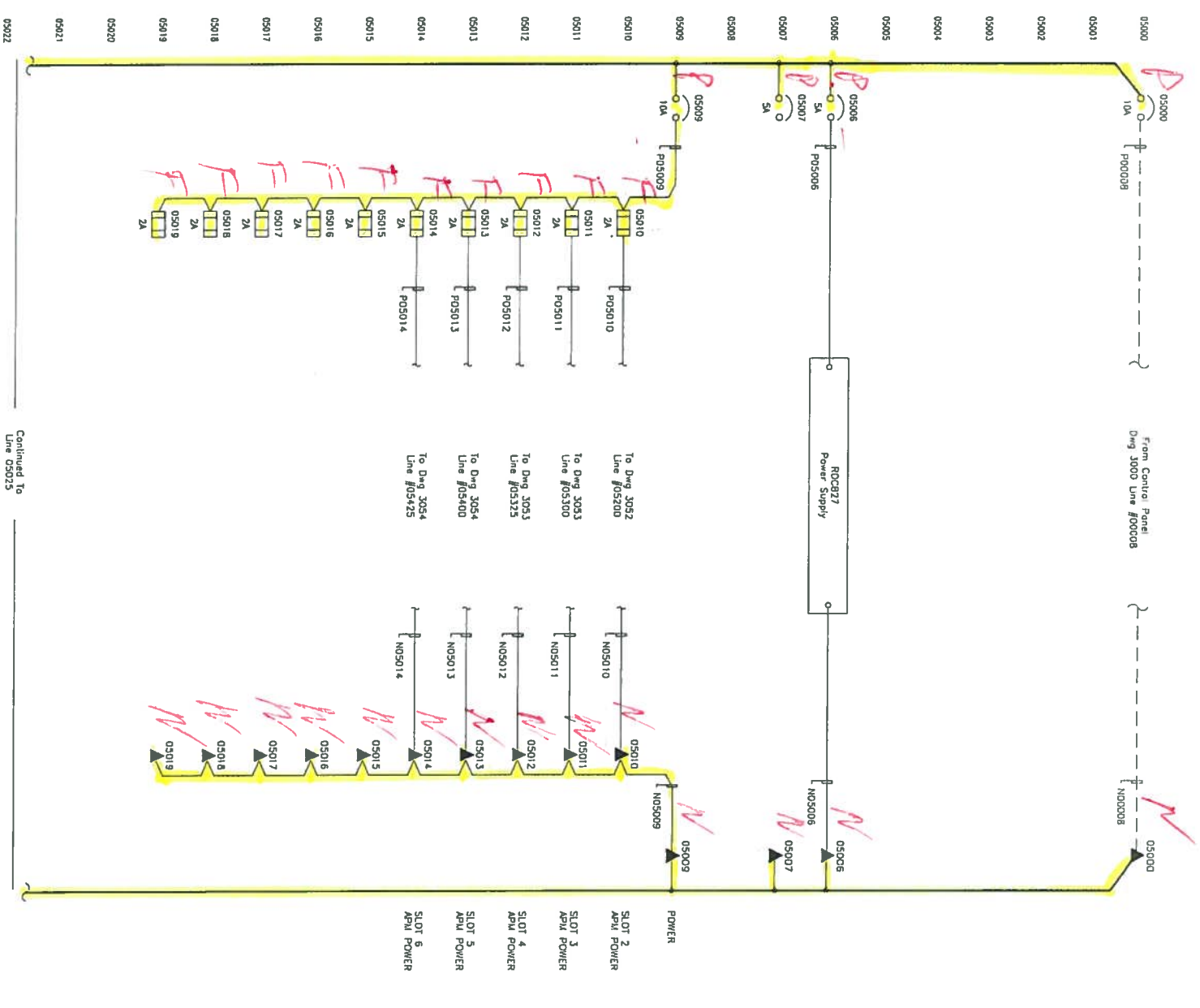
THIRD PARTY LOGO
SCALE AS SHOWN
SIZE: D
EPCO PROJECT# 13053

PennWest
Exploration

CORDOVA - MULTI WELL TIE-IN
PENN WEST WELLSITE
d-055-A/094-P-10
CONTROL ARCHITECTURE

DWG# d055a094p10-ELC-9000

SHT 1 OF 1 REV 0



DRAWING#	REFERENCE DRAWING TITLE

REV	DATE	DESCRIPTION	DWN	CHKD	APPR
A	22JUL2013	ISSUED FOR REVIEW	RR	CF	-
B	08OCT2013	ISSUED FOR APPROVAL	RR	MG	MG
0	21OCT2013	ISSUED FOR CONSTRUCTION	RR	MG	MG

CORDOVA - MULTI WELL TIE-IN
 PENN WEST WELLSITE
 d-055-A/094-P-10
 RTU 24VDC DISTRIBUTION

