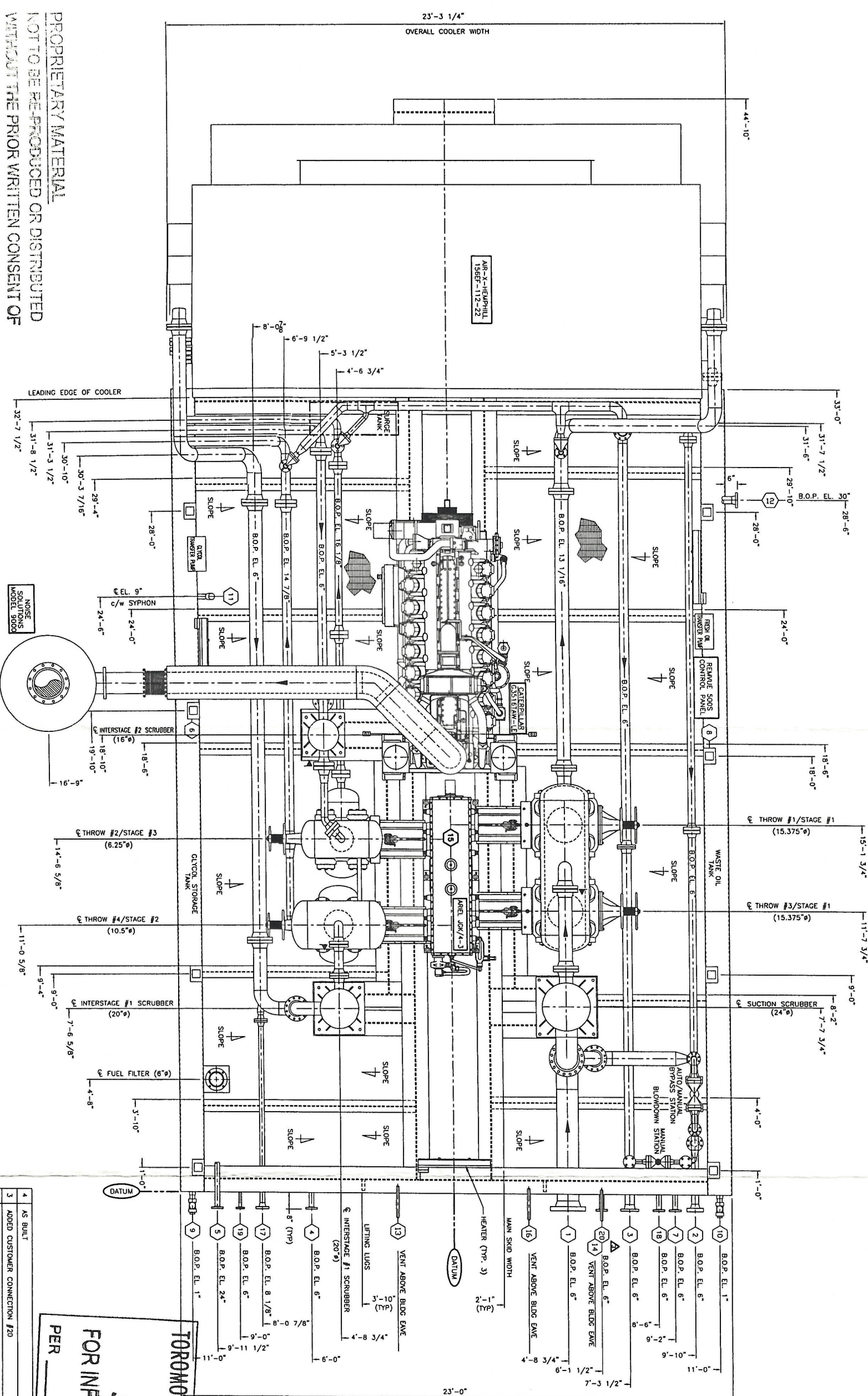


PROPRIETARY MATERIAL
 NOT TO BE REPRODUCED OR DISTRIBUTED
 WITHOUT THE PRIOR WRITTEN CONSENT OF
 TOROMONT ENERGY SYSTEMS INC.

GENERAL SPECIFICATIONS

OVERALL PACKAGE LENGTH (FT)	45'-6"	NOTES:
OVERALL PACKAGE WIDTH (FT)	23'-0"	1. ALL DIMENSIONS TAKEN FROM BOTTOM OF SKID.
OVERALL PACKAGE HEIGHT (FT) (LESS STACK)	20'-4 3/4"	2. ALL OTHER NOTES FOUND ON DWG. #PFLOW.
OVERALL PACKAGE WEIGHT (LBS)	-	
GLYCOL STORAGE CAPACITY (U.S. GAL.)	453 U.S. GAL.	
WASTE OIL STORAGE CAPACITY (U.S. GAL.)	453 U.S. GAL.	
SOULR WASTE OIL STORAGE CAPACITY (U.S. GAL.)	N/A	
LUBE OIL DAY TANKS	<input type="checkbox"/> 56 U.S. GAL. <input type="checkbox"/> CRANE RAILS 125 U.S. GAL.	
BRIDGE CRANE	<input type="checkbox"/> YES <input type="checkbox"/> NO <input type="checkbox"/> 2-TON <input type="checkbox"/> 3-TON <input type="checkbox"/> 5-TON	
SEAL PAN	<input type="checkbox"/> YES <input type="checkbox"/> NO <input type="checkbox"/> FLAT <input type="checkbox"/> SLOPED	
LOADING METHOD	<input type="checkbox"/> JACK & ROLL <input type="checkbox"/> LIVE ROLL <input type="checkbox"/> CRANE	
PROCESS GAS	<input type="checkbox"/> SWEET <input type="checkbox"/> SOUR <input type="checkbox"/> ACID GAS	
		PERCENT SOUR



- 1 INITIAL SUCTION
- 2 FINAL DISCHARGE
- 3 HIGH PRESSURE VENT HEADER
- 4 SCRUBBER DRAIN HEADER
- 5 FUEL GAS HEADER
- 6 GLYCOL FILL
- 7 INSTRUMENT AIR SUPPLY
- 8 ENGINE/COMPRESSOR OIL FILL
- 9 GLYCOL TANK DRAIN

- 10 10"-300# RFVN
- 11 3"-600# RFVN
- 12 4"-150# RFVN
- 13 2"-150# RF SCR'D
- 14 2"-150# RF SCR'D
- 15 3/4" RUBBER HOSE
- 16 2"-150# RF SCR'D
- 17 3/4" RUBBER HOSE
- 18 2"-3000# NPT
- 19 2"-150# RF SCR'D
- 20 2"-150# RF SCR'D

- 10 WASTE OIL TANK DRAIN
- 11 GLYCOL STANDPIPE
- 12 START GAS VENT HEADER
- 13 LDV PRESSURE INSTRUMENT VENT
- 14 LDV PRESSURE PUMP VENT HEADER
- 15 LOCAL COMPRESSOR OIL FILL
- 16 LDV PRESSURE GAS VENT
- 17 OFFSKID GAS SUPPLY
- 18 START GAS HEADER
- 19 FUEL GAS PSV VENT
- 20 OFFSKID FRESH OIL SUPPLY

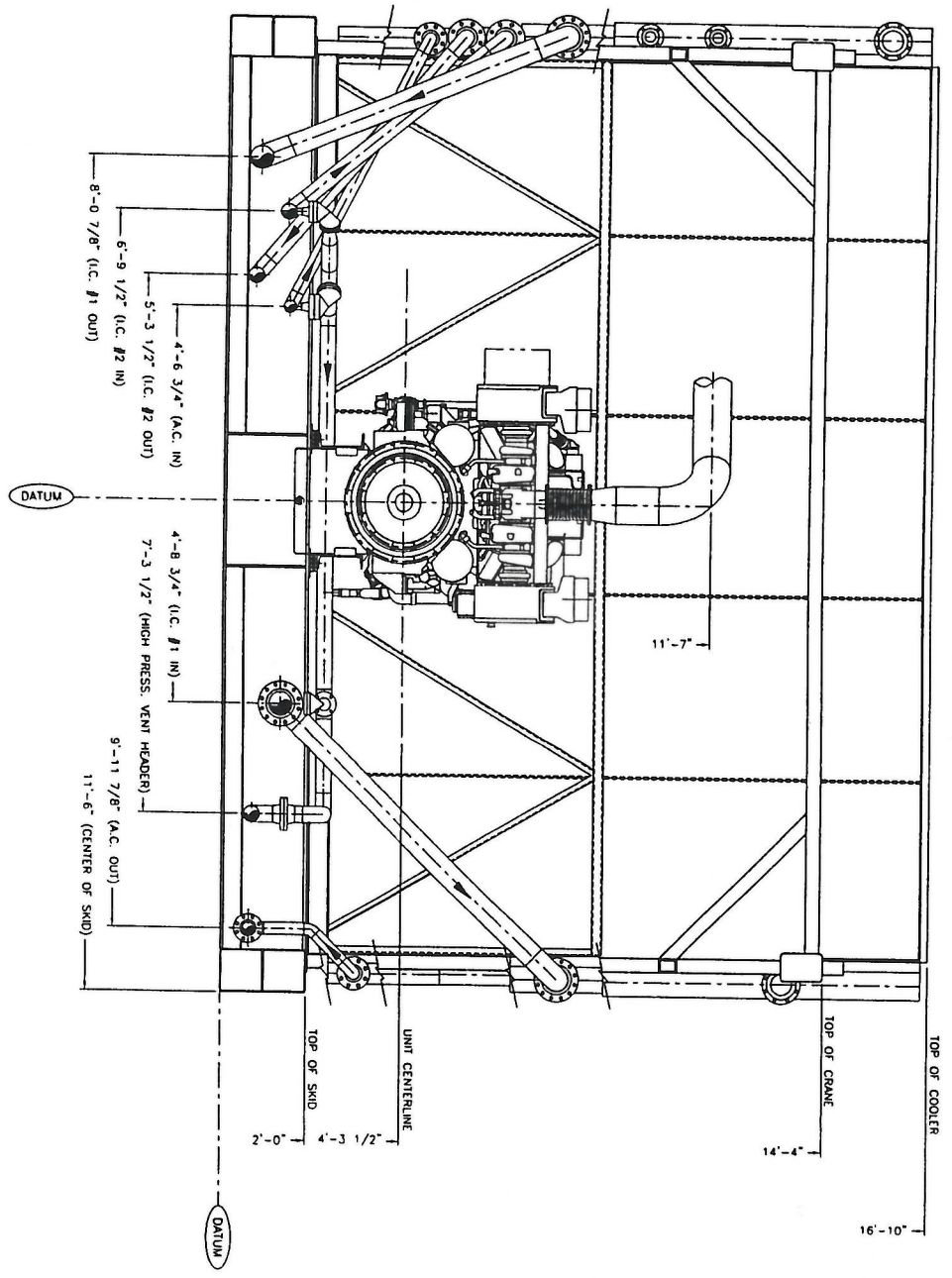
TOROMONT ENERGY SYSTEMS
 JAN 21 2005
 FOR INFORMATION ONLY
 PER

4	AS BUILT	01/12/04	VS
3	ADDED CUSTOMER CONNECTION #20	11/30/04	VS
2	ADDED TWO CUSTOMER CONNECTIONS	11/09/04	VS
1	ISSUED FOR CONSTRUCTION	10/07/04	VS
0	ISSUED FOR APPROVAL	09/21/04	VS

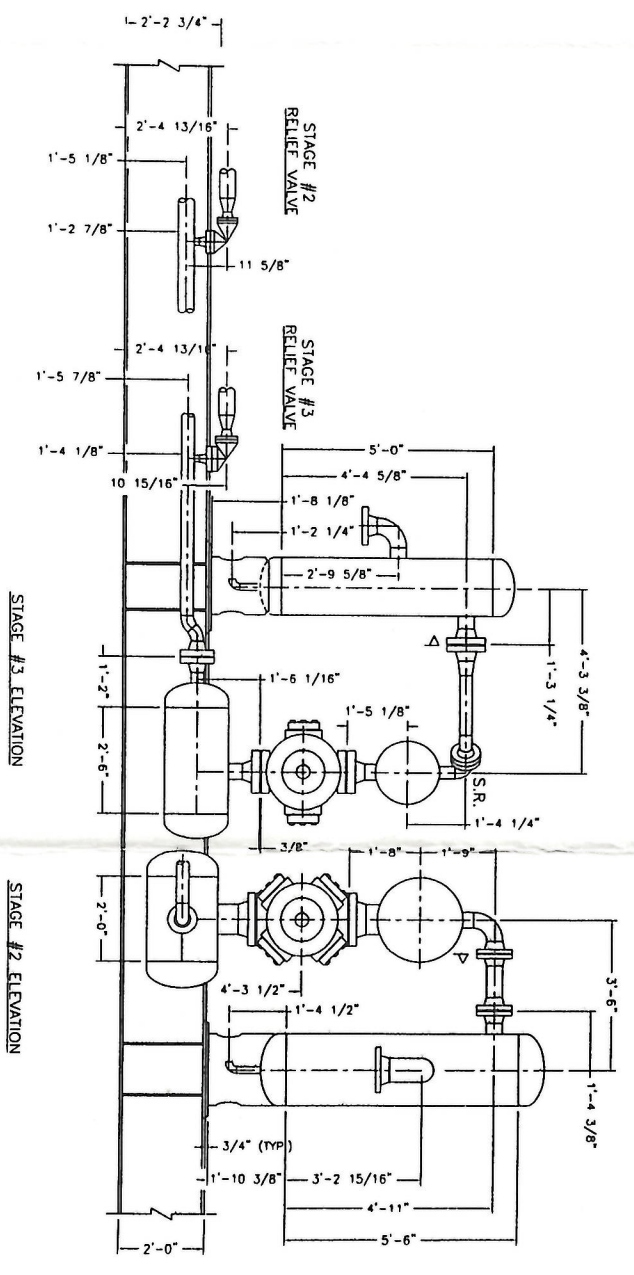
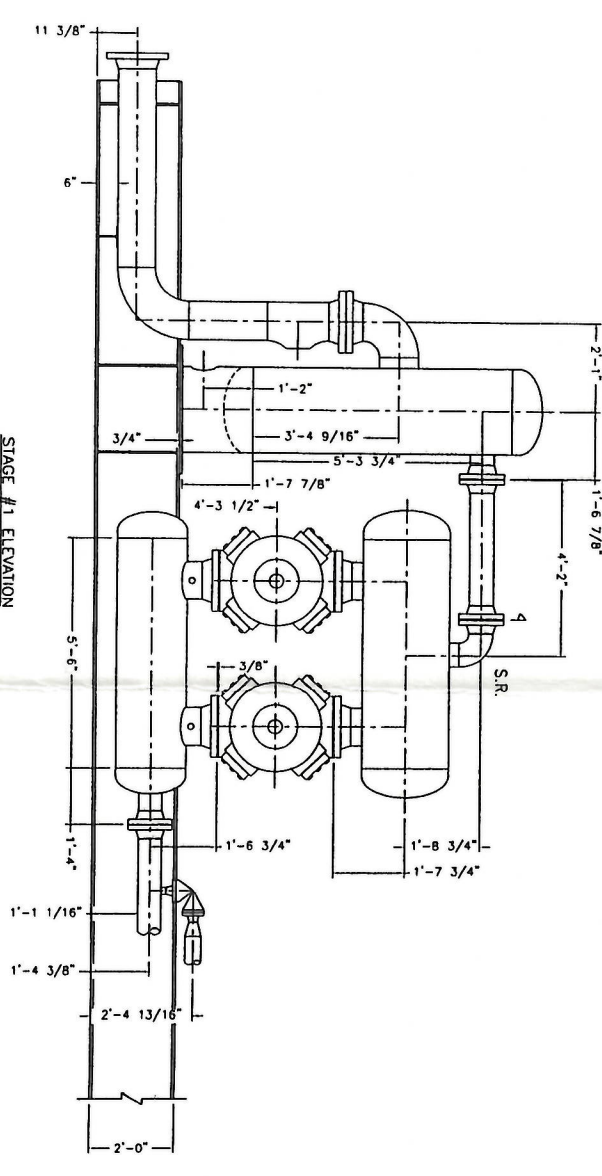
No.	REVISION	DATE	BY
1	PROPRIETARY MATERIAL: NOT TO BE REPRODUCED OR DISTRIBUTED WITHOUT THE PRIOR WRITTEN CONSENT OF TOROMONT ENERGY SYSTEMS INC.		

TITLE:	GENERAL ARRANGEMENT	CUSTOMER:	10121 - BARLOW TRAIL N.E. CALGARY ALBERTA CANADA
SCALE:	1/2"=1'-0"	DATE:	09/21/04
W.O. #:	N/A	UNIT #:	31219

TOROMONT ENERGY SYSTEMS
JAN 21 2005
FOR INFORMATION ONLY
 PER _____



TOROMONT ENERGY SYSTEMS
NOV 24 2004
ISSUED FOR CONSTRUCTION
 PER _____



NO.	REVISION	DATE	BY
0	ISSUED FOR CONSTRUCTION	09/28/04	VS

PROPRIETARY MATERIAL. NOT TO BE REPRODUCED OR DISTRIBUTED WITHOUT THE PRIOR WRITTEN CONSENT OF TOROMONT ENERGY SYSTEMS INC.

TOROMONT ENERGY SYSTEMS

10121 - BARLOW TRAIL, N.E. CALGARY, ALBERTA, CANADA

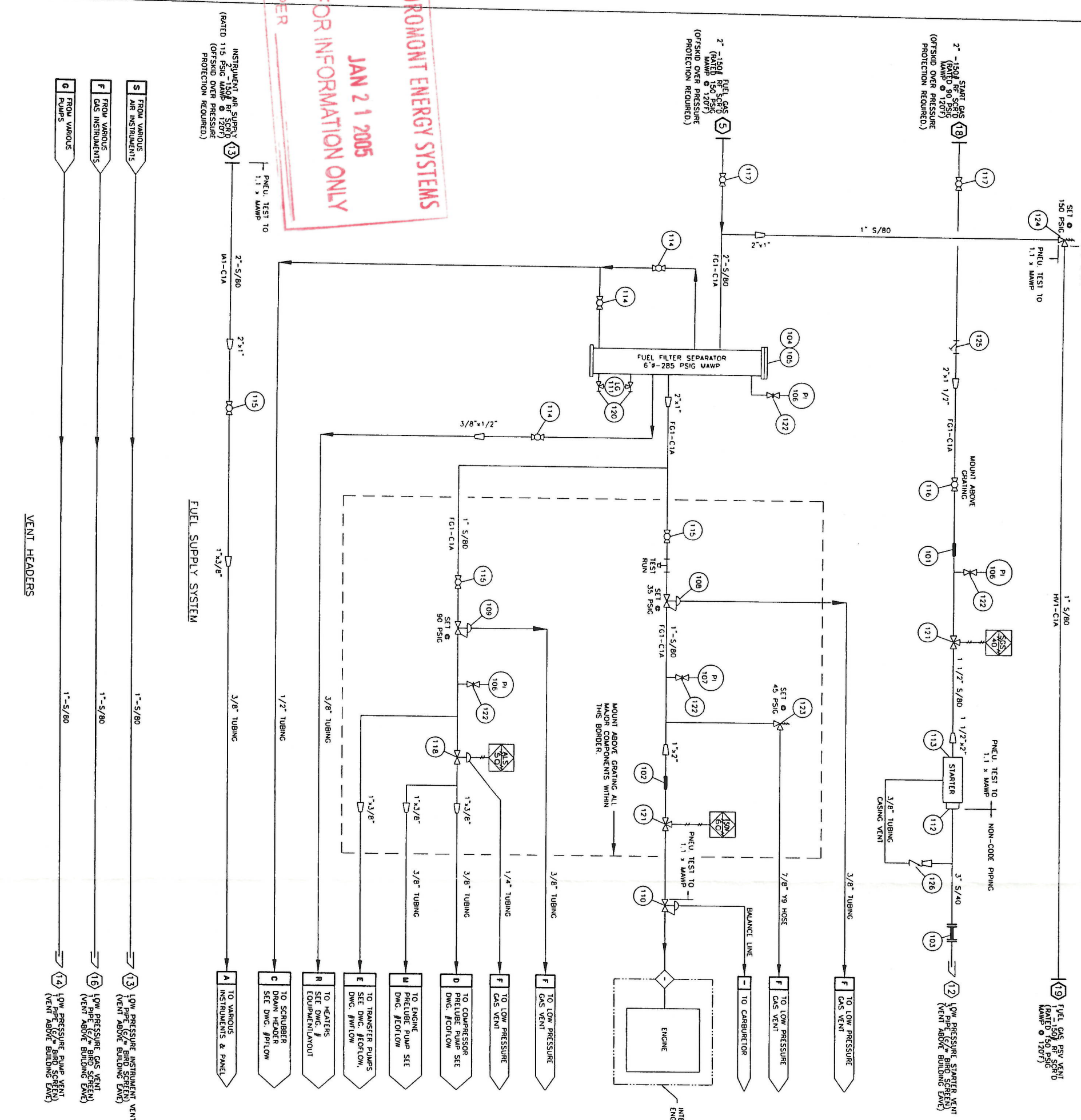
ELEVATION: GENERAL ARRANGEMENT
 CUSTOMER: IRIDIUM EXPLORATION CORP.
 C/O BDR ENGINEERING LTD.
 CDR COMPRESSOR STATION

SCALE: 1/2" = 1'-0" DATE: 09/21/04 BR VS DATE RELEASED: 11/23/04 RELEASED BY: [Signature]
 W.O. # N/A UNIT # 31219 DRAWING NO. 31219-ELEV REV. 0

PROPRIETARY MATERIAL
 NOT TO BE REPRODUCED OR DISTRIBUTED
 WITHOUT THE PRIOR WRITTEN CONSENT OF
 TOROMONT ENERGY SYSTEMS INC.

101	885004	CONNECTOR, BRASS, 1 1/2" FNPT HEX HEAD BOTH ENDS, 12" LG, 1.31" SS HOSE, 150# SS BRAD, 5/40 C.S. NIPPLE, DUCTILE IRON HEX, 500 PSIG @ 400F.	1
102	884506	CONNECTOR, BRASS, 2" FNPT HEX HEAD BOTH ENDS, 12" LG, 1.31" SS HOSE, 150# SS BRAD, 5/40 C.S. NIPPLE, DUCTILE IRON HEX, 450 PSIG @ 400F.	1
103	886124	CONNECTOR, BRASS, 3/4" FNPT, 285 PSIG @ 70F, 12" LG, 1.221" SS HOSE & BRAD, CARBON STEEL FITTINGS.	1
104	124720L	FILTER, HOUSING, FUEL, ENERGY INDUSTRIES, 2" FNPT, 6" DIA, 285 PSIG, LEFT HAND, FILTER ELEMENT, FULCO, POH (6" FILTER).	1
105	114167	FILTER, ELEMENT, FULCO, POH (6" FILTER).	1
106	10X1113	GAUGE, PRESSURE, WKA, 213.53, 0.25" ANPT BOTTOM MNT, 0-200 PSIG, MAX 140F, 2.5" FACE, LIQUID FILLED, DUAL SCALE, SS CASE, BRASS INTERNALS.	3
107	884726	GAUGE, PRESSURE, WKA, 213.53, 0.25" ANPT BOTTOM MNT, 0-60 PSIG, MAX 140F, 2.5" FACE, LIQUID FILLED, DUAL SCALE, SS CASE, BRASS INTERNALS.	1
108	627-497	REGULATOR, PRESSURE, FISHER, 627-497, 1" FNPT, 15-40 PSIG, 75.0 PSIG INLET, 0.5" TRIM, GREEN SPRING, DUCTILE IRON.	1
109	627-499	REGULATOR, PRESSURE, FISHER, 627-499, 1" FNPT, 70-150 PSIG, 75.0 PSIG INLET, 0.5" TRIM, RED SPRING, DUCTILE IRON.	1
110	NPI	REGULATOR, PRESSURE, ACTARIS, L3KCSF40, 28 PSIG, 1/8" x 1" ORIFICE (6"/4" ENGINE).	1
111	886057	SIGHT GLASS, REDLINE, PEACOCK, 41100108, 0.625" OD, 3.30 PSIG @ 100F, 12" LG.	1
112	52-419	STARTER FLANGE, 10, 52-419, 3" NPT, STRAIGHT.	1
113	1121-60001-B18	STARTER, GAS, 10, 1121-60001-B18, 2" FNPT INLET, 30-80 PSIG, ALUMINUM.	1
114	M2ZCR-5	VALVE, BALL, MEROBAN, M2ZCR-5, 0.5" FNPT, 2000 PSIG @ 150F, ASTM A216 WCB, MAKE MRO1-75.	3
115	M2ZCR-10	VALVE, BALL, MEROBAN, M2ZCR-10, 1.0" FNPT, 2000 PSIG @ 150F, ASTM A216 WCB, MAKE MRO1-75.	3
116	M2ZCR-15	VALVE, BALL, MEROBAN, M2ZCR-15, 1.5" FNPT, 2000 PSIG @ 150F, ASTM A216 WCB, MAKE MRO1-75.	1
117	M2ZCR-20	VALVE, BALL, MEROBAN, M2ZCR-20, 2" FNPT, 2000 PSIG @ 150F, ASTM A216 WCB, MAKE MRO1-75.	2
118	884829	VALVE, CONTROL, RELAY, FISHER, 119-412, 1" FNPT, 30-60 PSIG, 150 PSIG, MAX 170F, ASTM A216 WCB.	1
119	-	-	-
120	11C	VALVE, GAUGE, DANIEL, 0.5" FNPT x 0.625" TUBE, 600 PSIG @ 200F, 1 SET, CARBON STEEL.	1
121	11A708	VALVE, CONTROL, RELAY, 10, RLV, 25869001201, 1.5" FNPT, 18-70 PSIG, 450 PSIG @ 200F, ALUMINUM.	2
122	884607	VALVE, NEEDLE, DENITURY, CM2-3-M221-B-V, 0.25" ANPT x 0.25" FNPT, 6000 PSIG @ 100F.	4
123	88254	VALVE, RELIEF, FISHER, 1805-13X1, 1" FNPT, 10-60 PSIG, SET AT 45 PSIG, MAX 150F, CADMIUM SPRING.	1
124	NPI	VALVE, RELIEF, FARNS, 27D33-020/00, 1" NPT x 1" FNPT, SET @ 150 PSIG, RING.	1
125	884171	Y-STRAINER, MATCO, 1405, 2" FNPT, 400 PSI, @ 150F, CAST IRON.	1
126	NPI	VALVE, CHECK, IN-LINE, NIPRO, S-CHSE-EP-1/3, 3/8" TUBE.	1
127	-	-	-
128	-	-	-

TOROMONT ENERGY SYSTEMS
JAN 21 2005
FOR INFORMATION ONLY
PER



SERVICE:	LIBRNG	ETIKNGS
PROCESS (CONTRACTING PROCESS)	304 (SS)	ZINC PLATED (S)
UTILITY (CONTRACTING PROCESS)	316 (SS)	ZINC PLATED (S)
FRAME INTERNALS	316 (SS)	316
FRAME EXTERNALS	316 (SS)	316
PROCESS	316 (SS)	316
UTILITY (CONTRACTING PROCESS)	304 (SS)	ZINC PLATED (S)
INSTRUMENT	304 (SS)	ZINC PLATED (S)
FRAME INTERNALS	316 (SS)	316

NOTES:
1. FOR ALL OTHER NOTES & GENERAL INFORMATION SEE DWG. #PFLOW.
2. SIGNAL TUBING IS 1/4\".

PROPRIETARY MATERIAL
NOT TO BE RE-PRODUCED OR DISTRIBUTED
WITHOUT THE PRIOR WRITTEN CONSENT OF
TOROMONT ENERGY SYSTEMS INC.

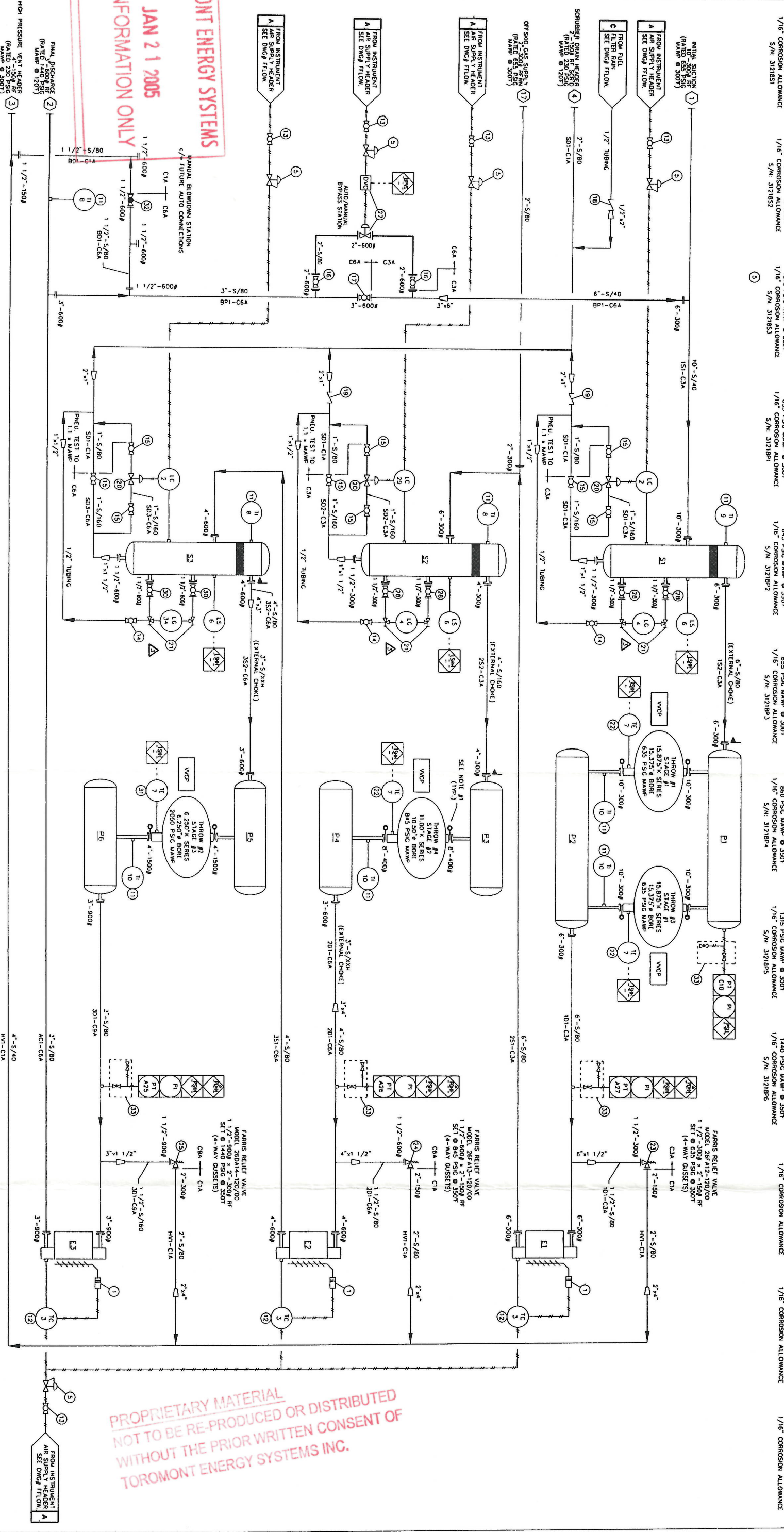
3	AS BUILT	01/12/05	VS
2	ADDED SEPARATE START GAS CONNECTION	11/08/04	VS
1	ISSUED FOR CONSTRUCTION	10/08/04	VS
0	ISSUED FOR APPROVAL	09/23/04	VS

PROPRIETARY MATERIAL, NOT TO BE REPRODUCED OR DISTRIBUTED WITHOUT THE PRIOR WRITTEN CONSENT OF TOROMONT ENERGY SYSTEMS.

TOROMONT ENERGY SYSTEMS	10121 - GARLOW TRAIL N.E. CALGARY ALBERTA CANADA
CUSTOMER:	TRIDENTI EXPLORATION CORP
	6/0 BDR ENGINEERING LTD
	604 COMPRESSOR STATION

SCALE: NONE DATE: 09/23/04 BY: VS DATE RELEASED: 01/12/05 RELEASED BY: VS
UNIT # 31219 DRAWING NO. 31219-FLOW REV 3

TOROMONT ENERGY SYSTEMS
FOR INFORMATION ONLY
JAN 21 2005
PER



MATERIAL SPECIFICATIONS:
 PAINT: OVERALL UNIT: VALSPAR 20-F-34 WARM GREY
 PRIMER: COMMERCIAL IRON OXIDE NON-LIFTING PRIMER
 PROCESS: 102-X-RAY - R12, 1/16" CORROSION ALLOWANCE
 SANDBLAST PRIME & WESSLITS AFTER SOLUTION SCREEN
 VESSELS: 102-X-RAY - R12, 1/16" CORROSION ALLOWANCE
 OIL: ESSO/ULUBE GMA-40 IN ENGINE & COMPRESSOR FRAME
 OIL: 50% ETHYLENE GLYCOL / WATER SOLUTION IN ENGINE & AUXILIARY JACKET WATER SYSTEMS
 BILL OF MATERIALS: ON SEPARATE SHEET PROVIDED WITH DRAWING.

TUBING SERVICES:
 PROCESS: 304 (SS)
 UTILITY: 304 (SS)
 INSTRUMENT: 316 (SS)
 FRAME INTERNALS: 316 (SS)

FINISHES:
 ZINC PLATED (S)
 ZINC PLATED (S)
 ZINC PLATED (S)
 ZINC PLATED (S)

GENERAL INFORMATION:
 COMP. FRAME: AIR-EX-HEMPHILL - 15674-112-22
 PANEL: SPARTAN CONTROLS - REVUEF 5005
 COOLER: AR-X-HEMPHILL - 15674-112-22
 CYLINDERS: THROW #1 - SERIAL NUMBER = C-65312
 SERIAL NUMBER = 46175A-10708
 THROW #2 - SERIAL NUMBER = C-65313
 SERIAL NUMBER = 46175A-10709
 THROW #3 - SERIAL NUMBER = C-65314
 SERIAL NUMBER = 46175A-10710
 THROW #4 - SERIAL NUMBER = C-65315
 SERIAL NUMBER = 46175A-10711

LEGEND:
 PANEL CONNECTION - PNEUMATIC
 PANEL CONNECTION - ELECTRIC
 LOCAL MOUNTED INSTRUMENT
 PANEL MOUNTED INSTRUMENT
 PNEUMATIC TO ELECTRIC
 ENGINE CONNECTION

NOTE: SWEET PROCESS GAS

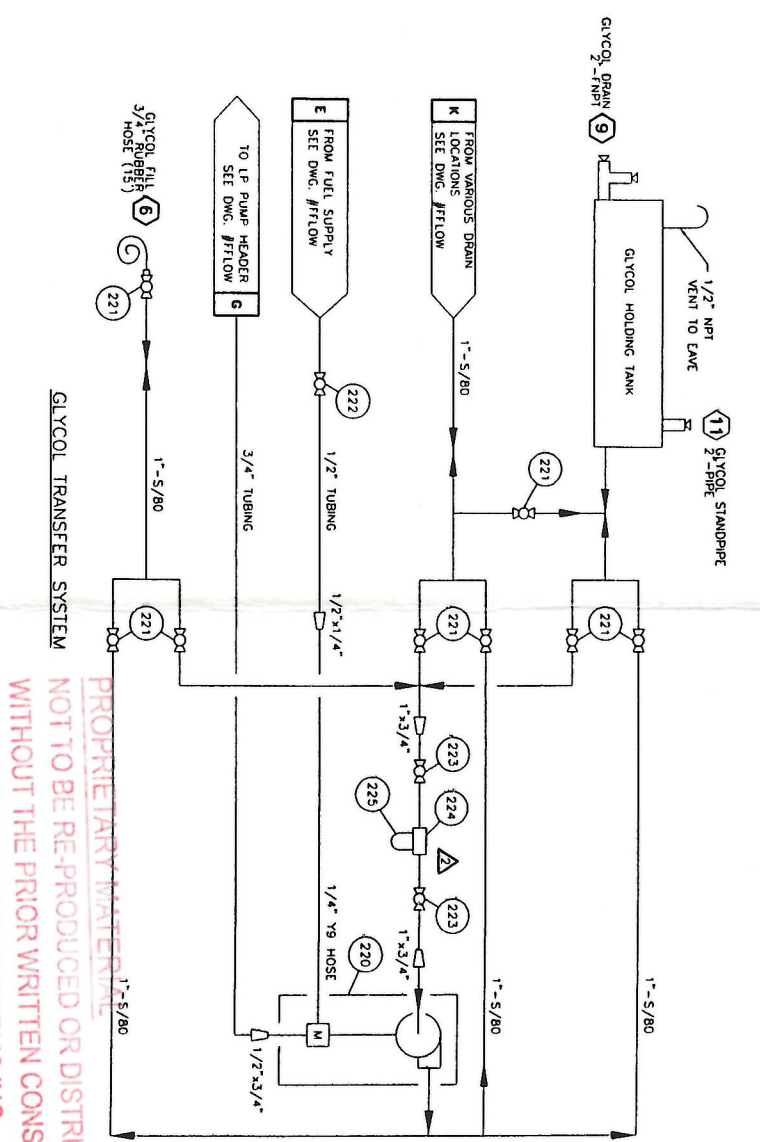
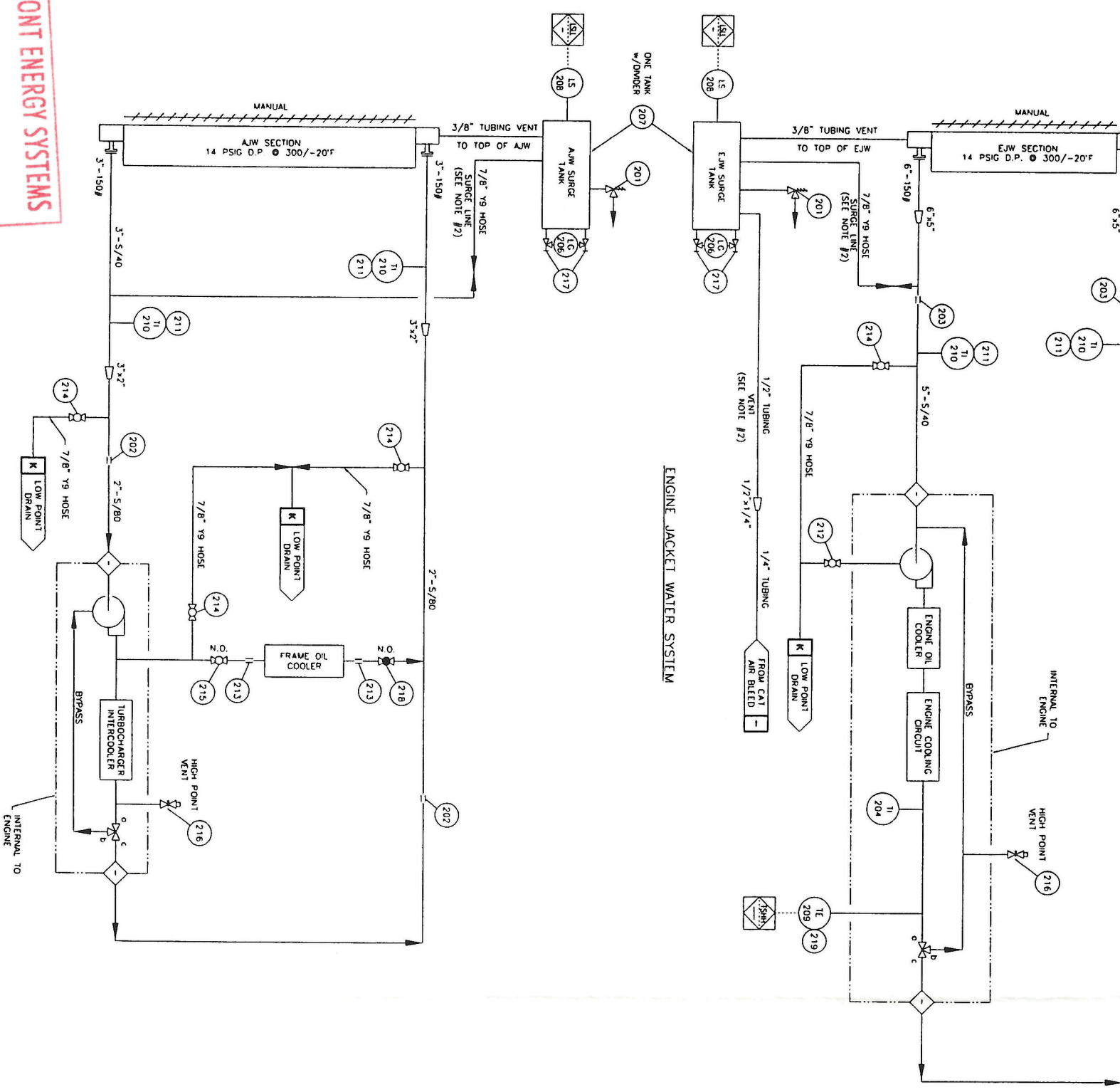
4	AS BUILT	01/17/05	VS
3	CHANGED LEVEL GAUGES TO TL STYLE	11/20/04	VS
2	ADDED OFFSHOUL GAS SUPPLY	11/08/04	VS
1	ISSUED FOR CONSTRUCTION	10/04/04	VS
0	ISSUED FOR APPROVAL	09/20/04	VS

TOROMONT ENERGY SYSTEMS
 10171 - BARLOW TRAIL N.E. CALGARY ALBERTA CANADA
 TITLE: PROCESS FLOW DIAGRAM
 CUSTOMER: IRIDIUM EXPLORATION CORP
 CATERPILLAR 3516 TAW-1E / AIR-EX-HEMPHILL 15674-112-22
 GMA COMPRESSOR STATION
 SCALE: NONE
 DATE: 09/20/04
 BY: VS
 DATE RELEASED: 01/17/05
 REVISED BY: VS
 DRAWING NO.: 31219-FLWOM
 REV. 4

PROPRIETARY MATERIAL
NOT TO BE RE-PRODUCED OR DISTRIBUTED
WITHOUT THE PRIOR WRITTEN CONSENT OF
TOROMONT ENERGY SYSTEMS INC.

TOROMONT ENERGY SYSTEMS
JAN 2 1 2005
FOR INFORMATION ONLY
PER _____

STORAGE TANK CAPACITIES - SEE "GENERAL ARRANGEMENT DWG."
 EJV CAPACITY 110 U.S. GAL
 AJW CAPACITY 56 U.S. GAL



201	TRC-104	CAP. RADIATOR, STANT, STM-10294, SET AT 15 PSIG (SEE STEP #621)	2
202	0038-0013-011	COUPLING, PIPE, DRESSER 0038-0013-011, 2" PIPE, 1500 PSIG, MAX 212°F, STLF 38, CARBON STEEL W/ BUNA S GASKET	2
203	0038-0051-011	COUPLING, PIPE, DRESSER 0038-0051-011, 5" PIPE, 1029 PSIG, 212°F, STLF 38, CARBON STEEL W/ BUNA S GASKET	2
204	4M4472	GAUGE, TEMPERATURE, CATERPILLAR (G/W ENGINE)	1
205	12C281	GLYCOL, UCATHERM, 50% ETHYLENE GLYCOL - 50% WATER (SEE STEP #921)	615 L
206	88C057	SIGHT GLASS, REDLINE, PACORC, 41100108, 0.625" OD, 330 PSIG @ 100 F, 12" LG	1
207	88C239	SURGE TANK, 16" x 45" G, DUAL COMPARTMENT (DWG #5156450 REV. 4) (SEE STEP #621)	2
208	11A913	SWITCH, LEVEL, MURPHY, 45-11200, 2" MNPT, CSA CLASS 1 DW 1 GRP C/D	2
209	TKC-K-250-30	THERMOCOUPLE TYPE 'K', THERMOCOUPLER K-250-316-006-0-B-80X99, 0.25" O.D. x 6.0" LG, PROBE, UNGROUND JUNCTION, 30" LG, CAPILLARY, 316SS	1
210	89A186	THERMOWELL, BI METALLIC, TRENCO, 33025400640, 0.5" MNPT, 0-250°F, 3" FACE, 2.50" PROBE 0.250" OD, DUAL SCALE	4
211	370003	THERMOWELL, 0.5" FNPT x 0.75" MNPT, 2.50" DEPTH, 0.260" BORE, 304 SS	4
212	W2ZCR-5	VALVE, BALL, MERIDIAN, W2ZCR-5, 0.5" FNPT, 2000 PSIG @ 150°F, ASTM A216 WCB, NACE MR01-75	1
213	11A306	COUPLING, PIPE, AEROCOUPL, NH1600C150B0250, 1.5" PIPE	2
214	W2ZCR-1.0	VALVE, BALL, MERIDIAN, W2ZCR-1.0, 1" FNPT, 2000 PSIG @ 150°F, ASTM A216 WCB, NACE MR01-75	6
215	W2ZCR-1.5	VALVE, BALL, MERIDIAN, W2ZCR-1.5, 1.5" FNPT, 2000 PSIG @ 150°F, ASTM A216 WCB, NACE MR01-75	1
216	88C087	VALVE, BLEED, HOKI, 6610MXY, 0.25" MNPT, 6000 PSIG @ -40 TO 160°F, STAINLESS STEEL	2
217	11C	VALVE, GAUGE, DANIEL, 209-01-049C 11C, 0.5" FNPT x 0.625" TUBE, 1 SET, CARBON STEEL	2
218	88E271	VALVE, GLOBE, MENCOL, 1/2" 281-552, 1.5" FNPT CLASS 800, 2000 PSIG @ 100 F, REG. PORT, ASTM A105	2
219	370002	THERMOWELL, 0.5" FNPT x 0.75" MNPT, 4.0" DEPTH, 0.260" BORE, 304 SS	1
220	D73-525	PUMP, PNEUMATIC, DUMPERMACH, GRACO D73-525, 1" MNPT, MAX 100 PSIG SUPPLY, ALUMINUM	1
221	W2ZCR-1.0	VALVE, BALL, MERIDIAN, W2ZCR-1.0, 1.0" FNPT, 2000 PSIG @ 150°F, ASTM A216 WCB, NACE MR01-75	8
222	W2ZCR-5	VALVE, BALL, MERIDIAN, W2ZCR-5, 5" FNPT, 2000 PSIG @ 150°F, ASTM A216 WCB, NACE MR01-75	1
223	W2ZCR-75	VALVE, BALL, MERIDIAN, W2ZCR-75, 7.5" FNPT, 2000 PSIG @ 150°F, ASTM A216 WCB, NACE MR01-75	2
224	NPN	SMALL GLYCOL KIT WITH STAND, PFS #55M-FPS04085V, STAINLESS STEEL CLEAN ABLE ELEMENT, 50 MICRON	1
225	NPN	FILTER ELEMENT, SSP-FPS408-50	1

NOTES:
 1. FOR ALL OTHER NOTES, LEGEND & GENERAL INFORMATION SEE DWG. #PFLW.
 2. SLOPE ALL VENT LINES UP TO SURGE TANK.

SERVICES:
 SWEET: ■ PROCESS (CONTRACTING PROCESS) ■ ZINC PLATED (S) ■ INSTRUMENT ■ ZINC PLATED (SS) ■ FRAME INTERNALS ■ ZINC PLATED (SS) ■ PROCESS ■ ZINC PLATED (SS) ■ UTILITY (CONTRACTING PROCESS) ■ ZINC PLATED (SS) ■ FRAME INTERNALS ■ ZINC PLATED (SS)

SOUP:
 ■ ZINC PLATED (SS) ■ ZINC PLATED (SS) ■ ZINC PLATED (SS) ■ ZINC PLATED (SS) ■ ZINC PLATED (SS) ■ ZINC PLATED (SS)

GLYCOL TRANSFER SYSTEM

PROPRIETARY MATERIAL
 NOT TO BE REPRODUCED OR DISTRIBUTED WITHOUT THE PRIOR WRITTEN CONSENT OF TOROMONT ENERGY SYSTEMS INC.

3	AS BUILT	01/12/05	VS
2	ADDED GLYCOL FILTER	11/20/04	VS
1	ISSUED FOR CONSTRUCTION	10/07/04	VS
0	ISSUED FOR APPROVAL	09/23/04	VS
REVISION		DATE	BY

PROPRIETARY MATERIAL. NOT TO BE REPRODUCED OR DISTRIBUTED WITHOUT THE PRIOR WRITTEN CONSENT OF TOROMONT ENERGY SYSTEMS.

TOROMONT ENERGY SYSTEMS
 10121 - BARLOW TRAIL N.E. CALGARY ALBERTA CANADA

WATER FLOW DIAGRAM
 WATER PUMP #520
 SERIES C35181AW-1E

IRIDANT EXPLORATION CORP.
 C/O BDR ENGINEERING LTD
 CBM COMPRESSOR STATION

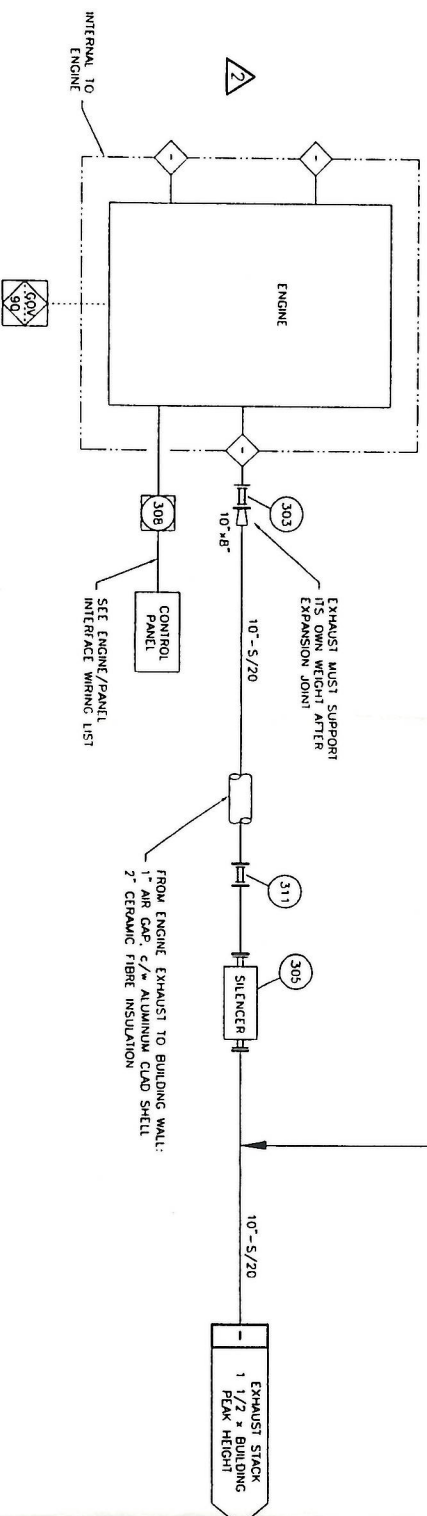
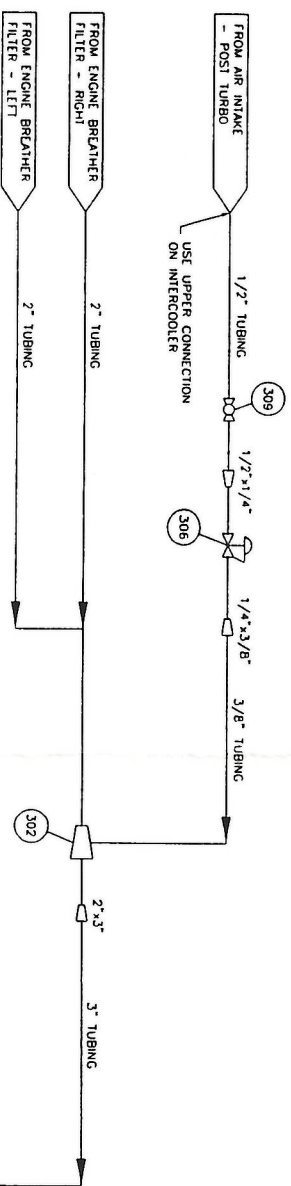
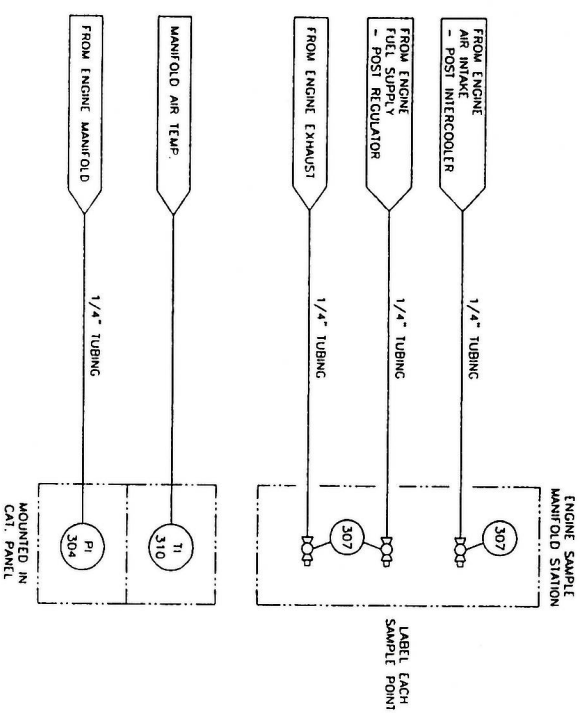
SCALE: NONE | DATE: 09/23/04 | BY: VS | DATE RELEASED: 01/05/05 | RELEASED BY: [Signature]
 UNIT # 31219 | DRAWING NO: 31219-WLOW | REV. 3

TOROMONT ENERGY SYSTEMS

JAN 21 2005

FOR INFORMATION ONLY

PER



AIR INTAKE & EXHAUST SYSTEMS

TECH CABLE #	INTERFACE	CONTROL PANEL	ENGINE JUNCTION BOX
1	ESM POWER SUPPLY (+24 VDC)	DCT 11	J1-A
2	ESM POWER SUPPLY (0 VDC)	NEG 11	J1-B
3	ESM RUN STATUS	DCT 12	J4-A

ENGINE / PANEL INTERFACE WIRING	
302	DUCTOR, CRANKCASE, EXHA. LINE W/C, 6084, 2" END CONNECTIONS, 0.375" NPT AIR CONN., ALUMINUM
303	EXPANSION JOINT, MAGC SPAN, EX-8-12-1/CAT, 8"-150# FT X CUSTOM CAT. CONN., 12" LG., SS
304	GAUGE, PRESSURE, CATERPILLAR, MANIFOLD C/W ENGINE
305	MUFFLER, NOISE SOLUTIONS, SERIES 9000.
306	REGULATOR, PRESSURE, MODEL R22R-026, NUMATICS/9000B
307	VALVE, BALL, W/IRON, M15-.25, 0.25" NPT, 1000 PSIG @ 150FT, ASTM A351GRW BODY & BALL, 316SS STEM
308	IGNITION, CATERPILLAR, ESM (C/W ENGINE)
309	VALVE, BALL, W/IRON, M22CR-.5, 0.5" NPT, 2000 PSIG @ 150FT, ASTM A216 WCB, NACE MR01-75
310	GAUGE, TEMPERATURE, CATERPILLAR, 32-160 F. (C/W ENGINE)
311	EXPANSION JOINT, MAGC SPAN, 10"-150# BOTH ENDS, 12" LG.
312	-
313	-
314	-
315	-

PROPRIETARY MATERIAL
 NOT TO BE REPRODUCED OR DISTRIBUTED
 WITHOUT THE PRIOR WRITTEN CONSENT OF
 TOROMONT ENERGY SYSTEMS INC.

- NOTES:
- FOR ALL OTHER NOTES & GENERAL INFORMATION SEE DWG. #PTLOW.
 - SIGNAL TUBING IS 1/4".

REVISION	DATE	BY
3	01/12/05	VS
2	11/20/04	VS
1	10/07/04	VS
0	09/23/04	VS

NO.	REVISION	DATE	BY
0	ISSUED FOR APPROVAL	09/23/04	VS

AS BUILT	DATE	BY	VS
3	01/12/05	VS	VS
2	11/20/04	VS	VS
1	10/07/04	VS	VS
0	09/23/04	VS	VS

NO.	REVISION	DATE	BY
0	ISSUED FOR APPROVAL	09/23/04	VS

SCALE	DATE	BY	VS
AS BUILT	09/23/04	VS	VS

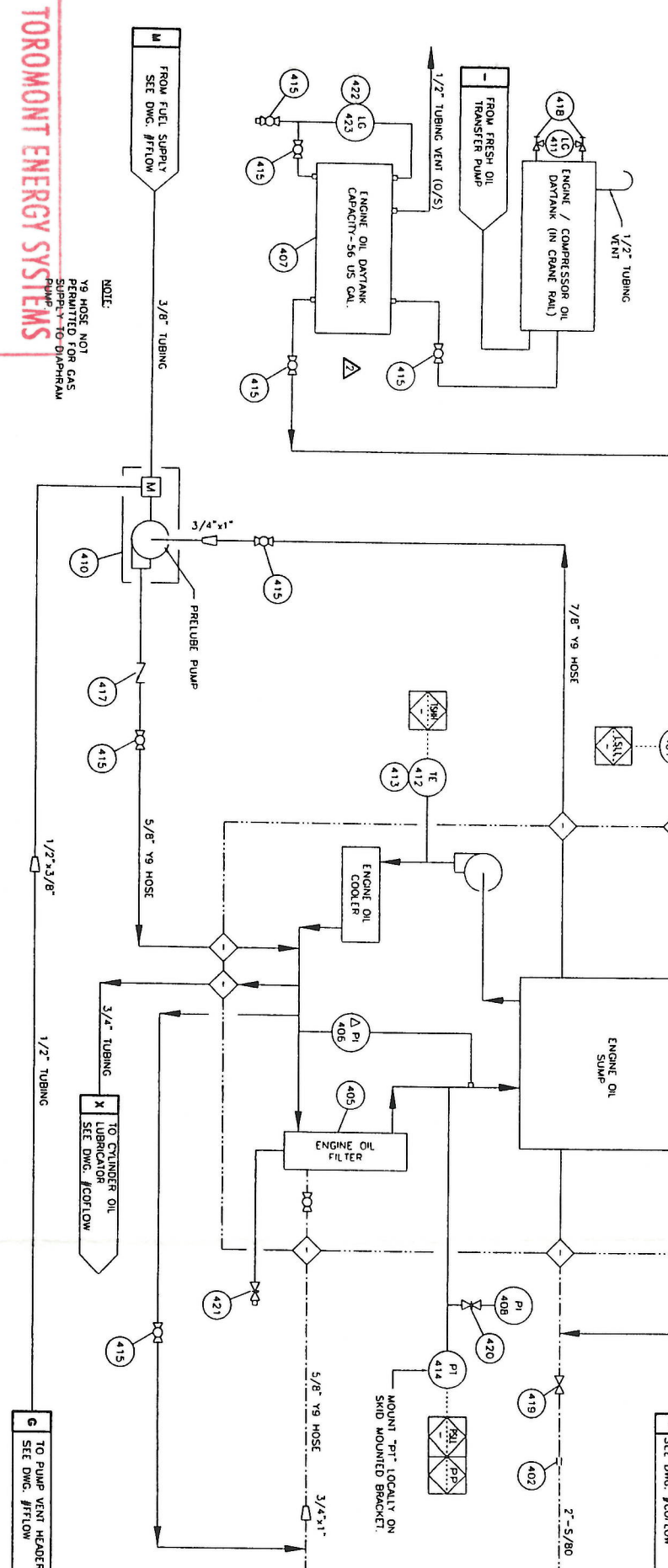
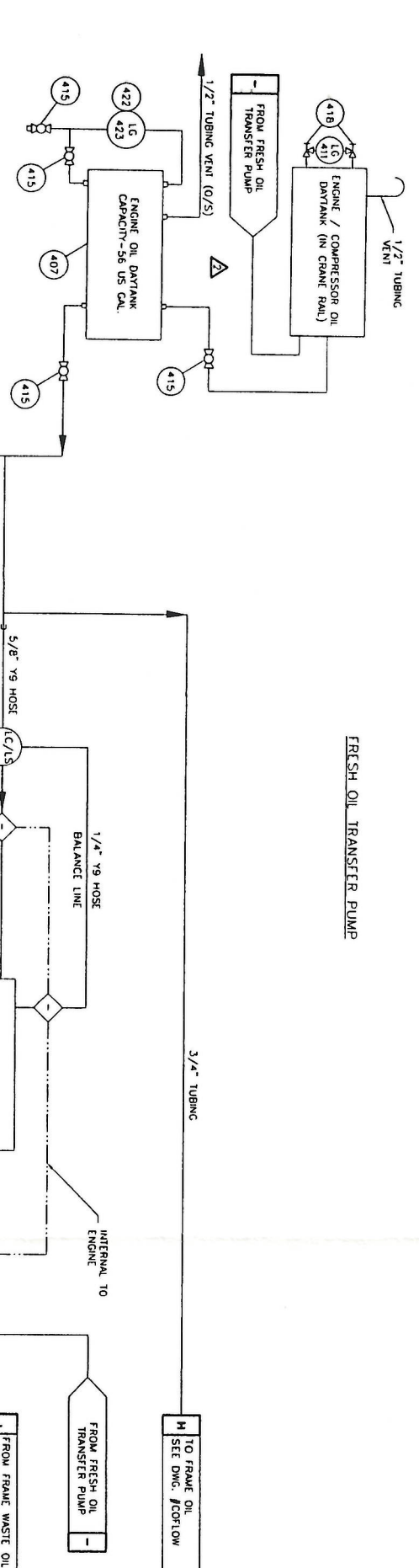
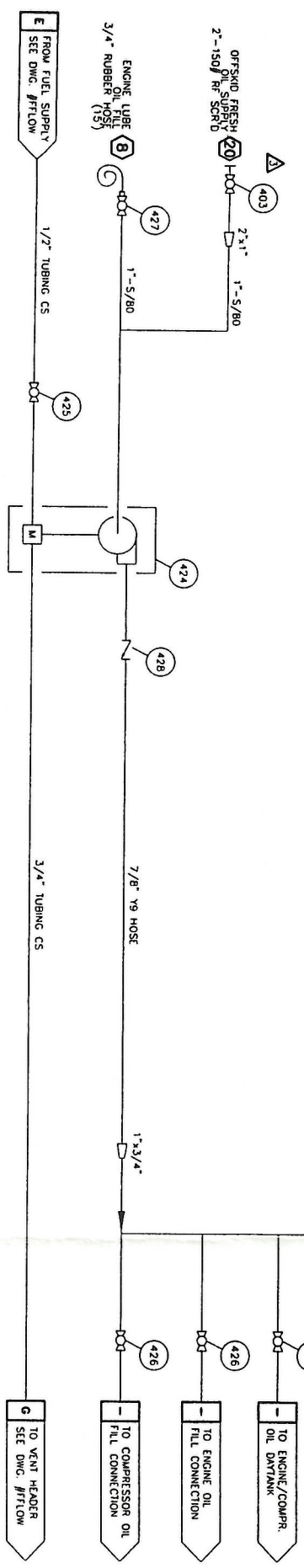
TITLE: AIR & EXHAUST FLOW DIAGRAM
 SERIES: G35161AW-LE

DATE RELEASED: 01/21/05
 UNIT # 31219 DRAWING NO. 31219-AETLOW REV. 3

TOROMONT ENERGY SYSTEMS
 101271 - BARLOW ROAD N.E. CALGARY ALBERTA CANADA

IRIDIANT EXPLORATION CORP.
 c/o BOR ENGINEERING LTD
 CBM COMPRESSOR STATION

RELEASED BY: VS



401	LCM-12	CONTROLLER, LEVEL, KENCO, LCM-12, 0.5" FNPT, 6.5 PSIG WMP, MAX 180°F, 0.5" POST MOUNT, ALUMINUM, CSA CLASS III, TYPE 4	1
402	11A315	Coupling, Pipe, Aeroquip, NH1600C200B0400, 2" PIPE	1
403	M2CR-20	Valve, Ball, Meridian, M2CR-20, 2" FNPT, 2000 PSIG @ 150°F, ASTM A216 WCB, NACE MR01-75	1
404	-	-	-
405	1R0726	Filter, Element, (Issued From Customer)	2
406	NPN	Gauge, Differential Pressure, Caterpillar, Oil Filter (C/W Engine)	1
407	8B2237	Daytank, 56 Gallon, Fabricated by T.E.S.I.	2
408	10X113	Gauge, Pressure, Wika, 21333063, 0.25" MNPT Bottom Mnt, 0-200 PSIG, Max 140°F, 2.5" Face, Liquid Filled, Dual Scale, SS Case, Brass Internals	1
409	8B2247	Oil, Lube, ESSO, ESSOLUBE OMA PLUS 40 (See Step #921)	615 L
410	241-906	Pump, Pneumatic, Diaphragm, Genco, 241-906, .75" FNPT	1
411	8B2057	Sight Glass, Redline, Peacock, 411001108, 0.625" OD, 330 PSIG @ 100°F, 12" LG	2
412	TKC-K-290-30	Thermocouple Type K, Thermometrics K-290-316-086-0-B-BOXY99, 0.25" O.D. x 6.0" LG, Probe, Ungrounded Junction, 30" LG, Capillary, 316SS	1
413	12C151	Thermowell, 0.5" FNPT x 0.75" MNPT, 2.5" Depth, 0.260" Bore, 304SS	1
414	NPN	Transmitter, Pressure, Bourdon 913035H22, 316SS, 0-160 PSIG (C/W Panel)	1
415	M2CR-75	Valve, Ball, Meridian, M2CR-75, 0.75" FNPT, 2000 PSIG @ 150°F, ASTM A216 WCB, NACE MR01-75	11
416	-	-	-
417	8B2108	Valve, Check, Swing, Wheatley, 820-753072-131, 0.75" FNPT, 750 PSIG, ASTM A216 WCC or LCC, NACE MR01-75	1
418	11C	Valve, Gauge, Daniel, 209-01-049C 11C, 0.5" FNPT x 0.625" Tube, 3600 PSIG @ 250°F 1" SEI Carbon Steel	2
419	8B4251	Valve, Gate, BonneyCo, H.108-11, 2" FNPT Class 800, 800 PSIG @ 850°F, Reg. Port, ASTM A105	1
420	8B4607	Valve, Needle, Century, GM2-3-M221-B-V, 0.25" MNPT x 0.25" FNPT, 6000 PSIG @ 150°F, ASTM A108	1
421	SS-1Y54	Valve, Needle, Whitey, 0.25" Tube, 316SS	1
422	H12X38	Sight Glass, Clear Tubing, 0.5" OD, 42" LG, Plastic	2
423	8B2145	Scale, Graduated, Daytank, 56 Gallon	2
OPTIONAL TRANSFER PUMP STATION			
424	D73-525	Pump, Pneumatic, Diaphragm, Genco, D73-525, 1" FNPT, Max 100 PSIG Supply, Aluminum	1
425	M2CR-5	Valve, Ball, Meridian, M2CR-5, 0.5" FNPT, 2000 PSIG @ 150°F, ASTM A216 WCB, NACE MR01-75	1
426	M2CR-75	Valve, Ball, Meridian, M2CR-75, 3/4" FNPT, 2000 PSIG @ 150°F, ASTM A216 WCB, NACE MR01-75	4
427	M2CR-10	Valve, Ball, Meridian, M2CR-10, 1" FNPT, 2000 PSIG @ 150°F, ASTM A216 WCB, NACE MR01-75	1
428	8B4306	Valve, Check, Swing, Wheatley, 820-013127-131, 1.0" FNPT, 290 PSIG, ASTM A216 WCC or LCC, NACE MR01-75	1

NOT TO BE REPRODUCED OR DISTRIBUTED WITHOUT THE PRIOR WRITTEN CONSENT OF TOROMONT ENERGY SYSTEMS INC.

REVISION	DATE	BY
1	09/23/04	VS
2	10/07/04	VS
3	11/30/04	VS
4	01/12/05	VS

NO.	REVISION	DATE	BY
1	ISSUED FOR APPROVAL	09/23/04	VS
2	ADDED CUSTOMER CONNECTION #20	11/30/04	VS
3	ADDED 56 GALLONS TANK	10/07/04	VS
4	AS BUILT	01/12/05	VS

TOROMONT ENERGY SYSTEMS
JAN 21 2005
FOR INFORMATION ONLY

ENGINE LUBE OIL SYSTEM

PER

SCALE: NONE	DATE: 09/23/04	REV: VS	DATE RELEASED: 01/12/05	RELEASED BY: VS
STEP # 340	UNIT # 31219	DRAWING NO. 31219-EOFLOW		REV. 4

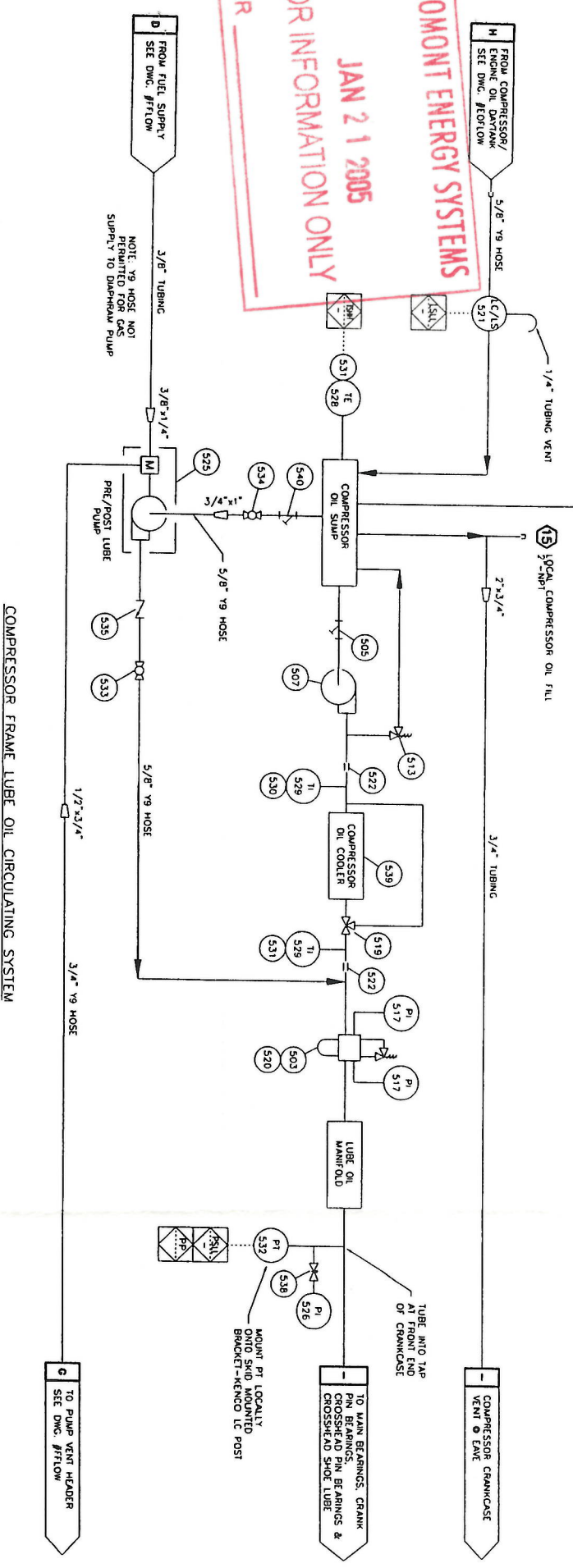
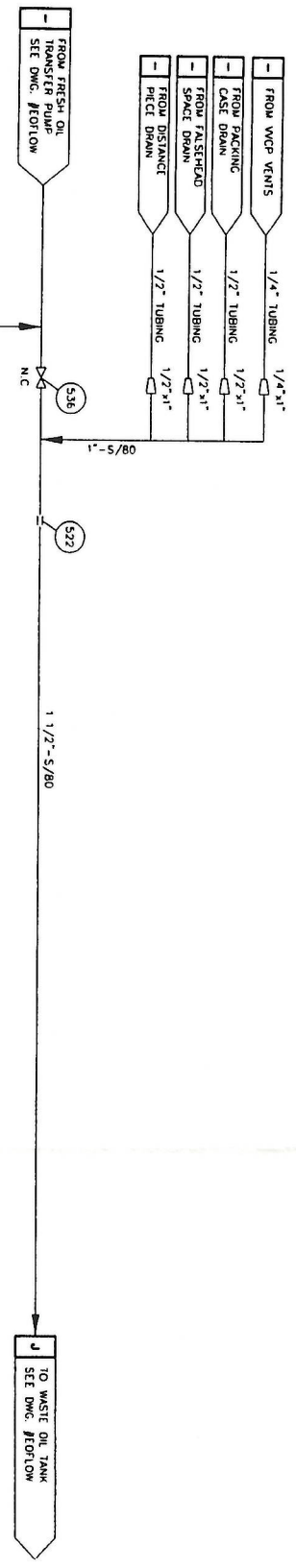
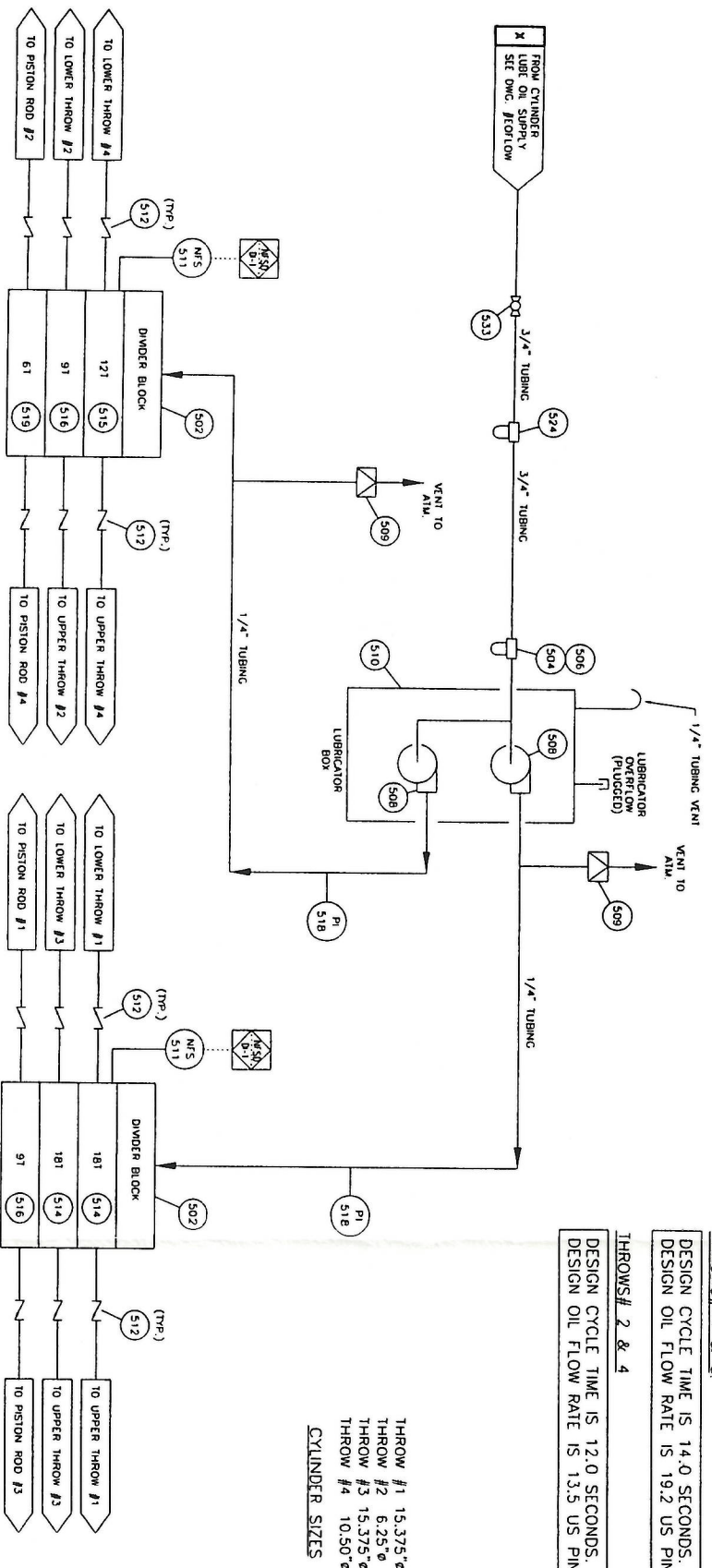
TOROMONT ENERGY SYSTEMS
 10121 - BARROW ROAD N.E. CALGARY ALBERTA CANADA

ENGINE OIL FLOW DIAGRAM
 PRELUBRICATOR 3000 SERIES
 CS316/AM-LE

CUSTOMER:
TRIDENT EXPLORATION CORP
 c/o BDR ENGINEERING LTD
 CBM COMPRESSOR STATION

THROWS# 1 & 3
 DESIGN CYCLE TIME IS 14.0 SECONDS.
 DESIGN OIL FLOW RATE IS 19.2 US PINTS/DAY

THROWS# 2 & 4
 DESIGN CYCLE TIME IS 12.0 SECONDS.
 DESIGN OIL FLOW RATE IS 13.5 US PINTS/DAY



No.	PART NO.	DESCRIPTION	QUANTITY
501	-	DNDR BASE BLOCK, LUBRICATION SYSTEMS 99 SERIES HP DNDR	2
502	A-5505	FILTER, HOUSING, OIL, AREL, 1.5" FNPT, 25 MICRON	1
503	D-0744	FILTER, INLINE, 0.25" FNPT, 150 MICRON	1
504	A-8723	WVE STRAINER, 0.75" NPT	1
505	A-8547	NIPPLE, 0.25" NPT	1
506	88424	PUMP, JCR/4	1
507	D-0752	PUMP, PLUNGER, PREMIER, 0.25" PLUNGER	2
508	A-9477	RUPURE DISK, RUPURE, 3250 PSIG	2
509	A-0124	LUBRICATOR, TANK ASSEMBLY w/o PUMP	1
510	-	SWITCH, NO-FLOW, AREL DIGITAL, FTS TRADON LUBE BLOCKS, CLASS 1, DW 1, GRP B.C.D.	2
511	NPN	VALVE, CHECK, BALL, PREMIER, 90024, 0.25" NPT	12
512	B80311	VALVE, RELIEF, INTERNAL OIL	1
513	A-5219	VALVE, DNDR, TRADON, 181	2
514	A-5555	VALVE, DNDR, TRADON, 127	1
515	A-5551	VALVE, DNDR, TRADON, 91	2
516	A-5547	GAUGE, PRESSURE, ASHCROFT, 0.25" NPT, BOTTOM MOUNT, 0-100 PSI	2
517	A-0761	GAUGE, PRESSURE, ASHCROFT, 0.25" NPT, 0-3000 PSI	2
518	A-8727	VALVE, DNDR, TRADON, 61	1
519	A-5543	FILTER, ELEMENT, OIL	3
520	A-0661	CONTROLER, LETE, HENCO, URGEL, COIL-24, 1/2" NPLET, AREL JCR SIGHT GLASS MOUNTING ADAPTER, ASSEMBLY, PRECISION, CS APPROVED CASES II TYPE 4	1
521	NPN	COUPLING, PIPE, AERONQUIP, ANHOC15080350, 1.5" PIPE	3
522	11A306	FILTER, HOUSING, OIL, 0.75" FNPT, C/W BALDWIN FILTER ELEMENT, B1251	1
523	-	PUMP, PNEUMATIC, DORPROM, ORAGO, 241-086, 75" FNPT	1
524	405-047	GAUGE, PRESSURE, WMA, 21333, 0.53, 0.25" WMTF BOTTOM MNT, 0-200 PSIG, MAX 1407, 2.5" FACE, LIQUID FILLED, DIA. SCALE, SS CASE, BRASS INTERNALS	1
525	241-506	HERMO-COUPLE, TYPE "K", THERMO METRICS, K-250-316-096-0-B-80X98, 0.25" OD PROBE, 6" LC, UNDERDUTED JUNCTION, 40" LC, CALIBRARY, 316SS	1
526	10X113	HERMO-COUPLE, TYPE "K", THERMO METRICS, K-250-316-096-0-B-80X98, 0.25" OD PROBE, 6" LC, UNDERDUTED JUNCTION, 40" LC, CALIBRARY, 316SS	1
527	-	HERMO-COUPLE, TYPE "K", THERMO METRICS, K-250-316-096-0-B-80X98, 0.25" OD PROBE, 6" LC, UNDERDUTED JUNCTION, 40" LC, CALIBRARY, 316SS	1
528	THC-K-250-40	HERMO-COUPLE, TYPE "K", THERMO METRICS, K-250-316-096-0-B-80X98, 0.25" OD PROBE, 6" LC, UNDERDUTED JUNCTION, 40" LC, CALIBRARY, 316SS	1
529	884188	HERMO-COUPLE, TYPE "K", THERMO METRICS, K-250-316-096-0-B-80X98, 0.25" OD PROBE, 6" LC, UNDERDUTED JUNCTION, 40" LC, CALIBRARY, 316SS	2
530	12C151	HERMO-COUPLE, TYPE "K", THERMO METRICS, K-250-316-096-0-B-80X98, 0.25" OD PROBE, 6" LC, UNDERDUTED JUNCTION, 40" LC, CALIBRARY, 316SS	1
531	88E012	HERMO-COUPLE, TYPE "K", THERMO METRICS, K-250-316-096-0-B-80X98, 0.25" OD PROBE, 6" LC, UNDERDUTED JUNCTION, 40" LC, CALIBRARY, 316SS	2
532	NPN	HERMO-COUPLE, TYPE "K", THERMO METRICS, K-250-316-096-0-B-80X98, 0.25" OD PROBE, 6" LC, UNDERDUTED JUNCTION, 40" LC, CALIBRARY, 316SS	1
533	WZCR-75	HERMO-COUPLE, TYPE "K", THERMO METRICS, K-250-316-096-0-B-80X98, 0.25" OD PROBE, 6" LC, UNDERDUTED JUNCTION, 40" LC, CALIBRARY, 316SS	2
534	WZCR-10	HERMO-COUPLE, TYPE "K", THERMO METRICS, K-250-316-096-0-B-80X98, 0.25" OD PROBE, 6" LC, UNDERDUTED JUNCTION, 40" LC, CALIBRARY, 316SS	1
535	88A112	HERMO-COUPLE, TYPE "K", THERMO METRICS, K-250-316-096-0-B-80X98, 0.25" OD PROBE, 6" LC, UNDERDUTED JUNCTION, 40" LC, CALIBRARY, 316SS	1
536	88A248	HERMO-COUPLE, TYPE "K", THERMO METRICS, K-250-316-096-0-B-80X98, 0.25" OD PROBE, 6" LC, UNDERDUTED JUNCTION, 40" LC, CALIBRARY, 316SS	1
537	-	HERMO-COUPLE, TYPE "K", THERMO METRICS, K-250-316-096-0-B-80X98, 0.25" OD PROBE, 6" LC, UNDERDUTED JUNCTION, 40" LC, CALIBRARY, 316SS	1
538	88A607	HERMO-COUPLE, TYPE "K", THERMO METRICS, K-250-316-096-0-B-80X98, 0.25" OD PROBE, 6" LC, UNDERDUTED JUNCTION, 40" LC, CALIBRARY, 316SS	1
539	F-503-FR-1P	HERMO-COUPLE, TYPE "K", THERMO METRICS, K-250-316-096-0-B-80X98, 0.25" OD PROBE, 6" LC, UNDERDUTED JUNCTION, 40" LC, CALIBRARY, 316SS	1
540	12A226	HERMO-COUPLE, TYPE "K", THERMO METRICS, K-250-316-096-0-B-80X98, 0.25" OD PROBE, 6" LC, UNDERDUTED JUNCTION, 40" LC, CALIBRARY, 316SS	1

TOROMONT ENERGY SYSTEMS
 JAN 21 2005
 FOR INFORMATION ONLY
 PER

PROPRIETARY MATERIAL
 NOT TO BE RE-PRODUCED OR DISTRIBUTED
 WITHOUT THE PRIOR WRITTEN CONSENT OF
 TOROMONT ENERGY SYSTEMS INC.

REV.	DATE	BY	DESCRIPTION
4	01/12/05	VS	AS BUILT
3	11/08/04	VS	MODIFIED CYLINDER / CROSSHEAD VENTS
2	11/07/04	VS	ISSUED FOR CONSTRUCTION
1	10/07/04	VS	ISSUED FOR CONSTRUCTION
0	09/23/04	VS	ISSUED FOR APPROVAL

REV.	DATE	BY	DESCRIPTION
4	01/12/05	VS	AS BUILT
3	11/08/04	VS	MODIFIED CYLINDER / CROSSHEAD VENTS
2	11/07/04	VS	ISSUED FOR CONSTRUCTION
1	10/07/04	VS	ISSUED FOR CONSTRUCTION
0	09/23/04	VS	ISSUED FOR APPROVAL

TOROMONT ENERGY SYSTEMS
 10121 - BARLOW TRAIL, N.E. CALDER, ALBERTA, CANADA

COMPRESSOR OIL FLOW DIAGRAM

DATE: 09/23/04
 SCALE: NONE
 UNIT: # 550
 DRAWING NO.: 3173-CORLOW
 REV: 4

2. ALL BOLTS, SCREWS, ETC. USED FOR FASTENING ALUMINUM TO ALUMINUM AND ALUMINUM TO STEEL SHALL BE AUSTENITIC STAINLESS STEEL OR GALVANIZED.

GENERAL NOTES

NOTES WHICH ARE APPLICABLE TO THIS JOB WHEN SHADDED.
SUBNOTES WHICH ARE APPLICABLE WHEN SHADDED.

TYPE OF BUILDING

SELF FRAMING-SHED SELF FRAMING-CABLE RIGID FRAMING-CABLE

MATERIAL - WALL AND ROOF PANELS (22 GA. MIN.)

GALVANIZED ALUMINUM PRE-PAINTED STEEL

WALLS: SPEC. NO. _____ ROOF: SPEC. NO. _____
DOORS: SPEC. NO. _____ TRIM: SPEC. NO. _____

TRANSLUCENT ROOF PANELS

SIZE _____
 COLOR _____
 QTY. _____

ROOF SLOPE 2:12 3:12 4:12

DOORS - 20 GA. METAL, INSULATED (NORMAL SIZES)
 3'-7" SINGLE WS WGW PH LS DC SF CC CP
 6'-3" DOUBLE WS WGW PH LS DC SF CC CP WGWBD
WS - WEATHER STRIPPING LS - LOCKSET CC - CHECKCHAIN
PH - PLAIN HARDWARE SF - STEEL FRAME CP - CANOPY
WGWBD - WIRE GLAZED WINDOW IN BOTH DOORS

WINDOWS - HORIZ. SLIDING c/w SCREEN (DOUBLE GLAZED)
 0'0" - 40'-40" 0'0" - 40'-50" 0'0" - 40'-50" WIRE GLAZED

LINING
 24 GA. FLUTED ALUMINUM 22 GA. PERFORATED ALUMINUM
 24 GA. FLUTED ALUMINUM - WHITE

ERECTION
 ON SITE BY BLDG. MANUFACTURER AT FAB. SHOP BY BLDG. MANUFACTURER

WALL LOUVERES (NOMINAL SIZES)
 STAMPED LOUVER c/w SLID CLOSURE AND SCREEN
 ADJUSTABLE LOUVER c/w MANUAL CONTROL AND SCREEN

ROLL-UP DOORS/SECTIONAL O/H DOORS/SLIDING DOORS
 ACCUSTIC TYPE RIGID VENTILATION c/w MANUAL CONTROLS & BIRDSCREEN
 LENGTH - FEET _____

STEEL ROLL-UP DOOR DIRECT DRIVE CHAIN HOIST
 STEEL HINGED ACCESS DOOR GEARED CHAIN HOIST
 STEEL BOLTED ACCESS DOOR MANUAL OPER. CHAIN HOIST
 INSULATED

FANS - ROOF/WALL
 ELECTRIC DRIVEN FAN CAPABLE OF PROVIDING A MIN. OF 12 AIR CHANGES/HOUR AT 1/2" SP c/w BACK DRIFT DAMPERS, ALUM. EXPLOSION PROOF (CLASS 1, GROUP D, DIVISION 1), EXTERNALLY MOUNTED.
 120/240 V - 1 PHASE PENN DOMEK
 240/480 V - 3 PHASE STD. PROPPELLER
 SOUND ATTENUATOR

POLYETHYLENE VAPOUR BARRIER
 2 MIL. 4 MIL. 6 MIL.

EAVESTROUGH, DOWNSPOUT AND ICE RAKES
 EAVESTROUGHS DOWNSPOUTS ICE RAKES

BUILDING SIZE
 LENGTH _____
 WIDTH _____
 EAVE HEIGHT _____

202 13A344 BEARING, PULLOW BLOCK, DOOR, IMPERIAL SERIES 2.9375" BORE, EXP. 1

203 NPN BELT, COOLER, TYPE SV, 6 GROOVE, PART # (SHOP TO ORDER) 1

204 NPN BELT, ENGINE, TYPE B, 5 GROOVE, PART # (SHOP TO ORDER) 1

205 BEB103 BUSHING, COOLER SHEAVE, TYPE 'J', 2 15/16" BORE, c/w 3/4" x 3/8" KMY, J21516 1

206 12C059 BUSHING, COOLER IDLER, TYPE 'E', 2 3/16" BORE, c/w 1/2" x 1/4" KMY, E2316 1

207 NPN BUSHING, COOLER JACKSHAWT, TYPE 'E', 2 15/16" BORE, c/w 3/4" x 1/8" KMY, E21516 1

208 NPN BUSHING, ENGINE (c/w ENGINE) 1

209 NPN BUSHING, ENGINE IDLER, TYPE 'E', 1 15/16" BORE, c/w 1/2" x 1/4" KMY, E11516 1

210 NPN BUSHING, ENGINE JACKSHAWT, TYPE 'SF', 2 15/16" BORE, c/w 3/4" x 1/32" KMY, SF21516 1

211 NPN CONTROL, PANEL, REVOLVE 500S, 24 VDC, CLASS I, DIV. II, GROUP D (SEE STEP #151) 1

212 NPN COUPLING, COMPRESSOR, FISH SERIES 60, 26.5" OD x 25.25" B.C. ENGINE ADAPTOR PLATE, SAE BOLTING, c/w OK COMPRESSOR HUB 1

213 - HEATER, CATADYNE, 48000 BTU/HR, 120 V STARTER, THERMOSTAT, GRILLS, VENT HOODS 3

214 BEB092 DIER ASSEMBLY, ENGINE, 1.9375" x 1.25" LG. SHAWT, c/w (2) 1 15/16" DOORSE IMPERIAL PULLOW BLOCKS 1

215 13A333 JACKSHAWT, 2 15/16" x 5/8" LG. c/w 3/4" x 3/8" KMY x 6" LG. BOTH ENDS 1

216 BEB522 SHEAVE, COOLER JACKSHAWT, 9.25" O.D., TYPE SV, 6 GROOVE, 5V9256 1

217 - SHEAVE, COOLER, 31.5" P.D., TYPE SV, 6 GROOVE, 5V3156 1

218 NPN SHEAVE, COOLER IDLER, 9.25" P.D., TYPE SV, 6 GROOVE, 5V9256 1

219 NPN SHEAVE, COOLER JACKSHAWT, 9.25" O.D., TYPE SV, 6 GROOVE, 5V9256 1

220 NPN SHEAVE, ENGINE, 9.4" O.D., TYPE B, 6 GROOVE (c/w ENGINE) 1

221 NPN SHEAVE, ENGINE IDLER, 9.4" O.D., TYPE B, 5 GROOVE, 9A58 1

222 NPN SHEAVE, ENGINE JACKSHAWT, 13.6" O.D., TYPE B, 5 GROOVE, 13658B 1

224 NPN TRANSMITTER, VIBRATION, METRIX, MODEL S15484E-121-020-0, 0-1 IPS, 24 VDC. 3

225 NPN ARBEL TOOLBOX (c/w FRAME) 1

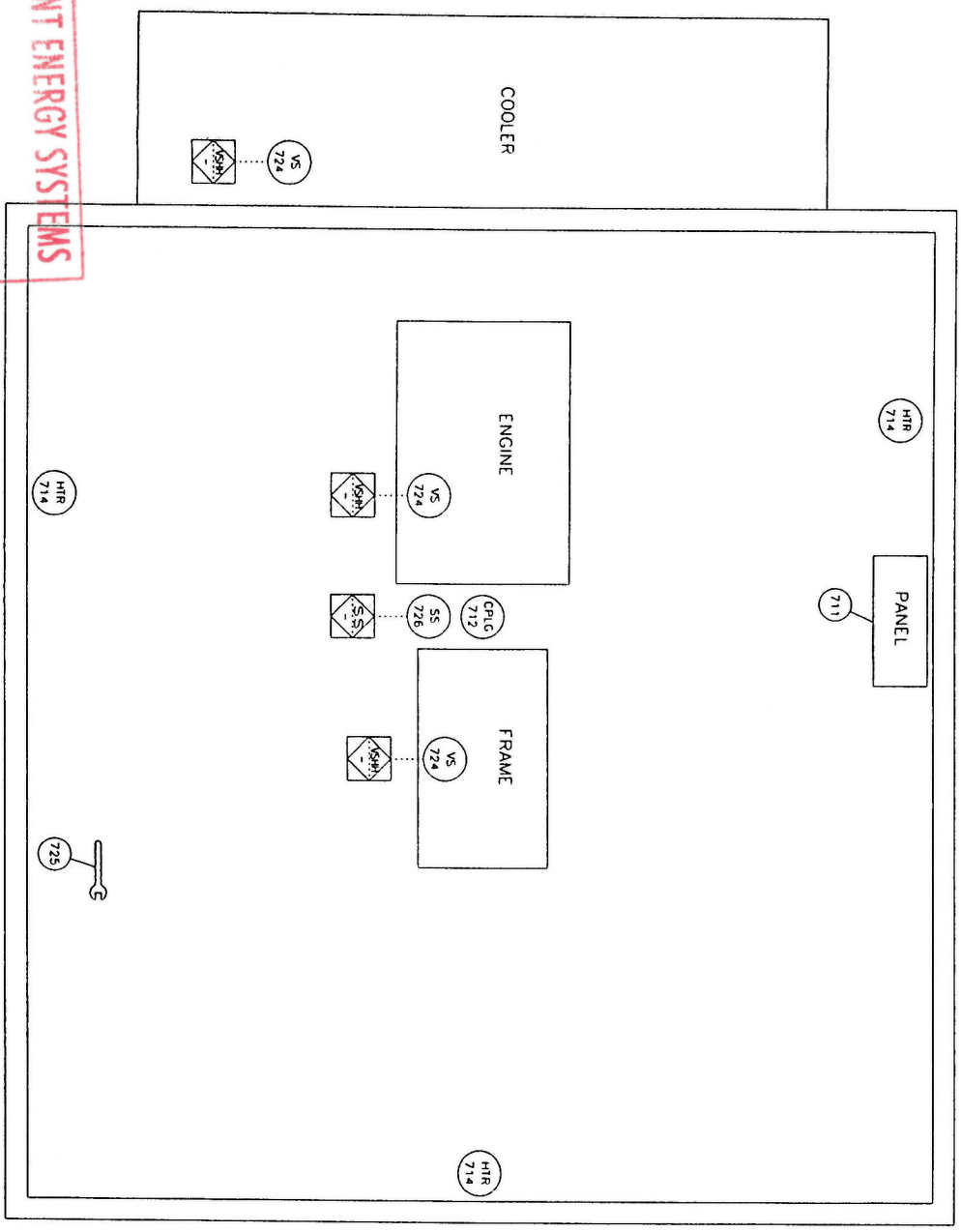
226 M204 PICKUP, MAGNETIC, DYNALCO, M204 1

227 BELTDECAL DECAL, "DRIVE BELTS" 1

228 B84519 DECAL, BUILDING DOOR, "TOROMONT ENERGY SYSTEMS" 1

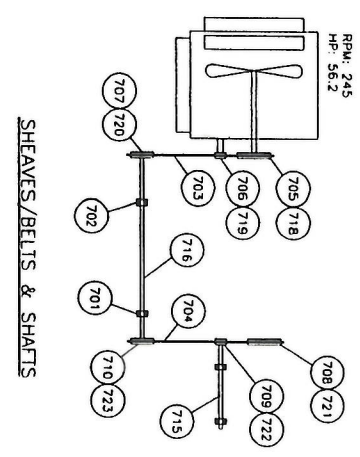
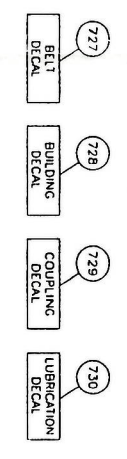
229 DANCERSTICKER DECAL, "DANGER, DO NOT OPERATE WITHOUT GUARD" 1

230 BEB434 DECAL, "LUBRICATION GUIDE CHART", LAMINATED 1



TOROMONT ENERGY SYSTEMS
JAN 2 1 2005
FOR INFORMATION ONLY

PLAN



PROPRIETARY MATERIAL,
NOT TO BE REPRODUCED OR DISTRIBUTED
WITHOUT THE PRIOR WRITTEN CONSENT OF
TOROMONT ENERGY SYSTEMS INC.

NOTES:
1. FOR ALL OTHER NOTES & GENERAL INFORMATION SEE DWG. #PFLOW.
2. MANIFOLD BEARING GREASE LINES TO A SINGLE LOCATION.

SERVICES:	PROCESS:	LUBING:	FITTINGS:
SWELT:	WELT (CONTRACTING PROCESS)	304 (SS)	ZINC PLATED (S)
	WELT (CONTRACTING PROCESS)	304 (SS)	ZINC PLATED (S)
	FRAME INTERNALS	316 (SS)	316
	PROCESS (CONTRACTING PROCESS)	316 (SS)	316
	UTILITY (CONTRACTING PROCESS)	304 (SS)	316
	INSTRUMENT	304 (SS)	ZINC PLATED (SS)
	FRAME INTERNALS	316 (SS)	316

NO.	REVISION	DATE	BY
2	AS BUILT	01/12/05	VS
1	ISSUED FOR CONSTRUCTION	10/04/04	VS
0	ISSUED FOR APPROVAL	08/23/04	VS

TOROMONT ENERGY SYSTEMS
10121 - BARLOW ROAD N.E. CALGARY ALBERTA CANADA

EQUIPMENT LAYOUT
CUSTOMER: IRIDIANT EXPLORATION CORP.
c/o BDR ENGINEERING LTD
CBW COMPRESSOR STATION

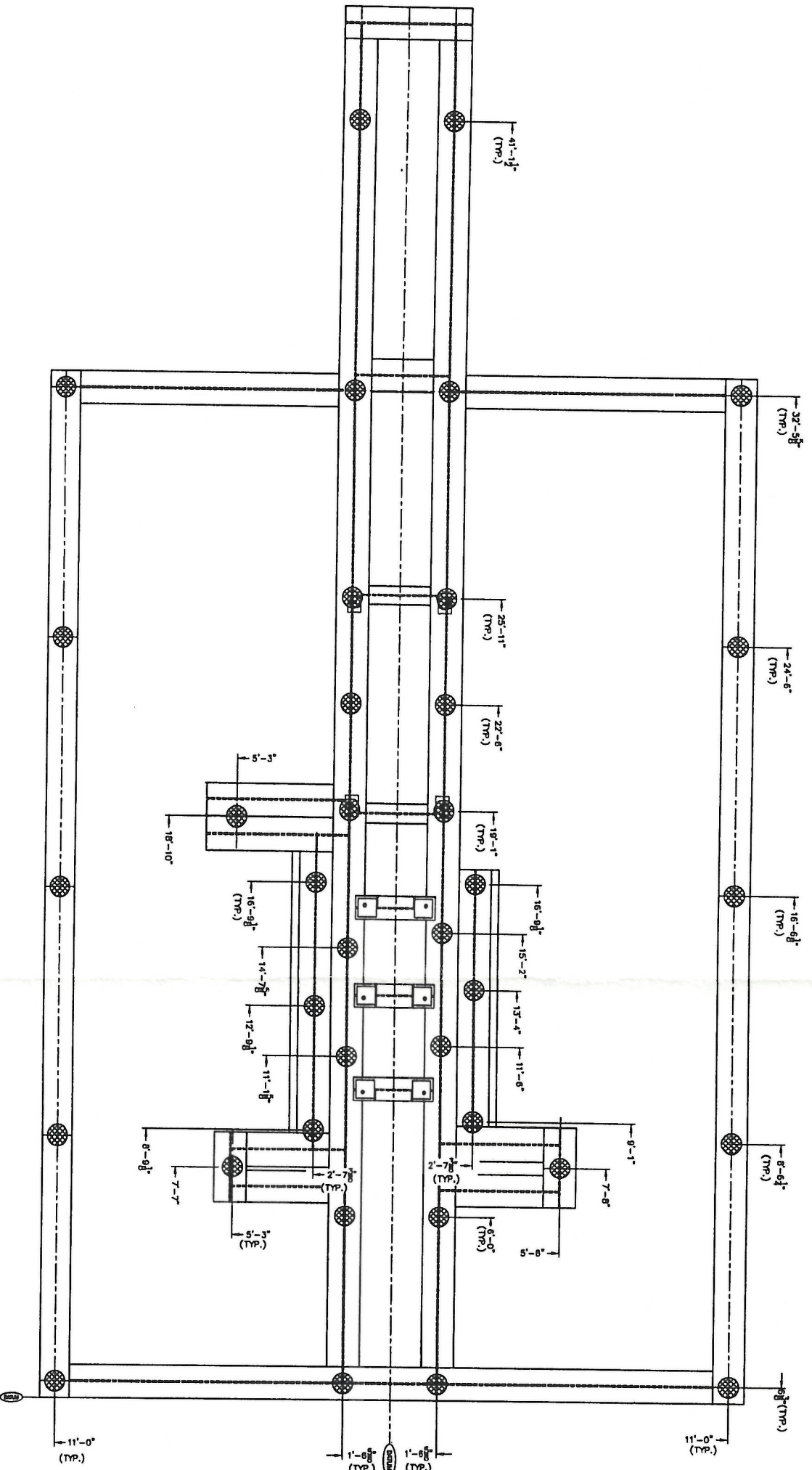
SCALE: NONE DATE: 09/23/04 BY: VS DATE RELEASED: 10/05/05 RELEASED BY: JTB
STEP # 5/20 UNIT # 31219 DRAWING NO.: 31219-EQUIPMENT LAYOUT REV. 2

TOROMONT ENERGY SYSTEMS

JAN 21 2005

FOR INFORMATION ONLY

PER _____



CHASSIS:	17670
COOLER (DRY)	23100
SUCTION SCRUBBER:	2080
INTERSTAGE #1 SCRUBBER	1286
INTERSTAGE #2 SCRUBBER	1212
THROW #1 & #3 CYLINDERS & BOTTLES:	10533
THROW #2 CYLINDER & BOTTLES:	4789
THROW #4 CYLINDER & BOTTLES:	4283
SKID BASE: (W/O CONCRETE)	35600
SKID BASE: (W/ CONCRETE)	62000
EXHAUST	1500
PIPING:	10000
BUILDING	-
INSTRUMENTATION & ELECTRICAL:	5500
TOTAL PACKAGE:	179,000

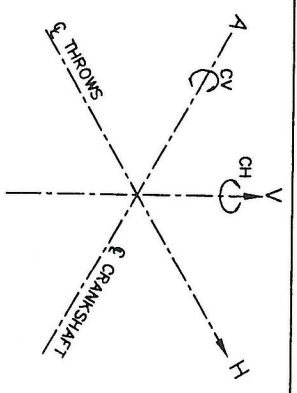
● - SUPPORT POINT (NOT NECESSARILY A PILE LOCATION)

PLEASE READ CAREFULLY

1. INSTALLATION OF THIS SKIDDED COMPRESSOR PACKAGE IS THE RESPONSIBILITY OF THE OWNER.
2. ALL PILE CAPS MUST BE SHIMMED AND WELDED TO THE SKID WITH CONTINUOUS WELDMENTS USING GOOD WELDING PRACTICES. STITCH WELDING IS NOT ACCEPTABLE. TOROMONT ENERGY SYSTEMS INC. DOES NOT WARRANT VIBRATION ISSUES RELATING TO POOR PILE TO SKID CONNECTIONS, OR INSUFFICIENT PILE DESIGN.
3. PACKAGES INCORPORATING SEAL PANS (DRIP) IN THE WINGS WILL RESTRICT ACCESS TO SUPPORTS BELOW. IT MAY BE NECESSARY TO CUT THE SEAL PAN TO GAIN ACCESS TO THESE AREAS.
4. A RECIPROCATING COMPRESSOR IS CAPABLE OF PRODUCING VERY HIGH HORIZONTAL COUPLES ABOUT THE CENTERLINE OF THE CRANKCASE. CAREFUL CONSIDERATION MUST BE GIVEN TO THE LOCATION OF SUPPORT BELOW THE CYLINDER CROSSHEAD AREA OF THE SKID. A SINGLE POINT OF SUPPORT BELOW EACH THROW IS NOT SUFFICIENT.
5. THIS DRAWING INDICATES THE MINIMUM RECOMMENDED NUMBER OF SUPPORT POINTS. THE ACTUAL NUMBER AND LOCATION REQUIRED MAY BE MORE, DEPENDING ON SOIL CONDITIONS, DEPTH OF REFUSAL, ETC.. TOROMONT ENERGY SYSTEMS DOES NOT AND CANNOT WARRANT THIS SUGGESTED DESIGN AND IT IS STRONGLY RECOMMENDED THAT A CIVIL ENGINEER FAMILIAR WITH PACKAGED COMPRESSORS BE CONSULTED TO DESIGN THE FOUNDATION FOR THIS COMPRESSOR PACKAGE.

COMPRESSOR UNBALANCED FORCES @ 1200 RPM

THROW #	1	2	3	4	5	6
CYLINDER BORE (IN.)	15.375"	6.25"	15.375"	10.5"	---	---
UNBALANCED SHAKING FORCES = NIL (ALL FRAMES)						
Description	Tag	Fl. lbs.				
PRIMARY VERTICAL COUPLE	CV1	16905				
PRIMARY HORIZONTAL COUPLE	CH1	18074				
SECONDARY VERTICAL COUPLE	CV2	0				
SECONDARY HORIZONTAL COUPLE	CH2	2				



NO.	REVISION	DATE	BY
0	ISSUED FOR REFERENCE	10/01/04	VS
PROPRIETARY MATERIAL. NOT TO BE REPRODUCED OR DISTRIBUTED WITHOUT THE PRIOR WRITTEN CONSENT OF TOROMONT ENERGY SYSTEMS INC.			
		10121 - BARLOW TRAIL N.E. CALGARY ALBERTA CANADA	
SUGGESTED PILE LOCATIONS: CENTERPILES 3516 TWP-1E / ASBL J&K/4-3 AN-X-HRP-11L 1565'-112-22		IMPROVED EXHAUSTION CORP. 626 CONNOR DRIVE 626 CONNOR DRIVE SHERBORN	
SCALE 1/2"=1'-0"	DATE 10/01/04	BY VS	DATE RELEASED 11/2/04
W.D. # N/A	UNIT # 31219	DRAWING NO. 31219-PLE	RELEASED BY: gyl
			REV. 0

PROPRIETARY MATERIAL
 NOT TO BE REPRODUCED OR DISTRIBUTED
 WITHOUT THE PRIOR WRITTEN CONSENT OF
 TOROMONT ENERGY SYSTEMS INC.