

168-150PX-231  
 GAS FROM V-120 F.C. SERVICE

219-600PX-203  
 REF. SMD LIMBS

219-600PX-203  
 GAS FROM MAINLINE SMD

60-600' x 89-150'  
 FSW  
 FARGES 268413-120  
 SET @ 9308 LPO

REFRIGERATION SMD LIMBS  
 168-150PX-453

REFRIGERATION SMD LIMBS  
 114-150PX-453  
 REF. FLARE HEADERS S5

REFRIGERATION SMD LIMBS  
 57 REF. SMD FLARE

168-600PX-204  
 GAS TO E-408

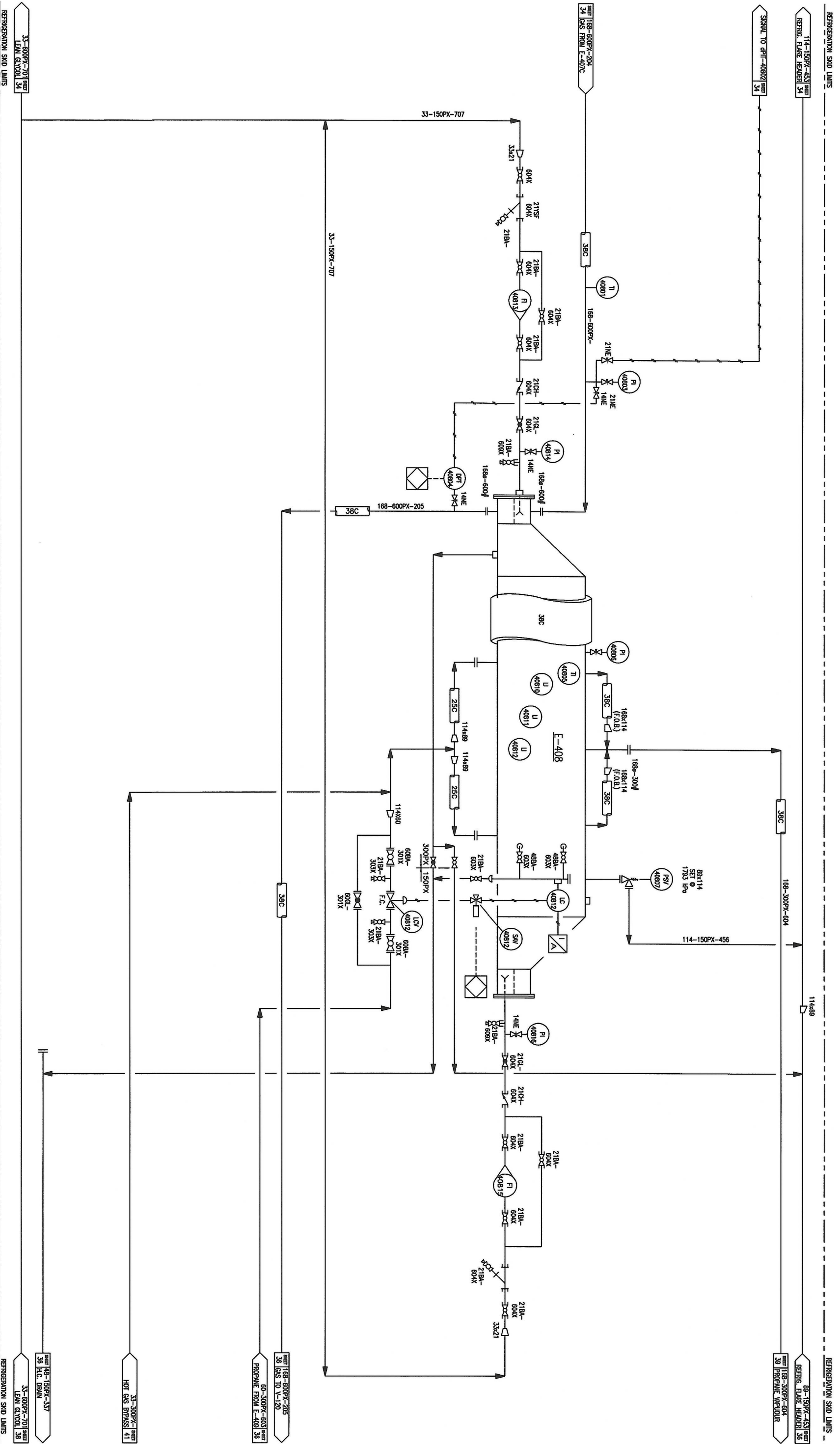
168-600PX-206  
 GAS FROM V-120

168-600PX-204  
 GAS FROM V-120

SHEET NUMBER		DRAWING NUMBER	
34 OF 58		07-25-62-06-W5-3034	
REV		REV	
5		5	

33-600PX-701  
 LEAK SUCCLA S5  
 REFRIGERATION SMD LIMBS

E-408  
 GAS CHILLER  
 15: 9308 R4 @ -29/93°C, 1.6mm CA  
 SS: 1783 R4 @ -29/65°C, 1.6mm CA  
 463199 R10/7K (2 PASS)  
 13/25-350 MM TEMA C (2 PASS)

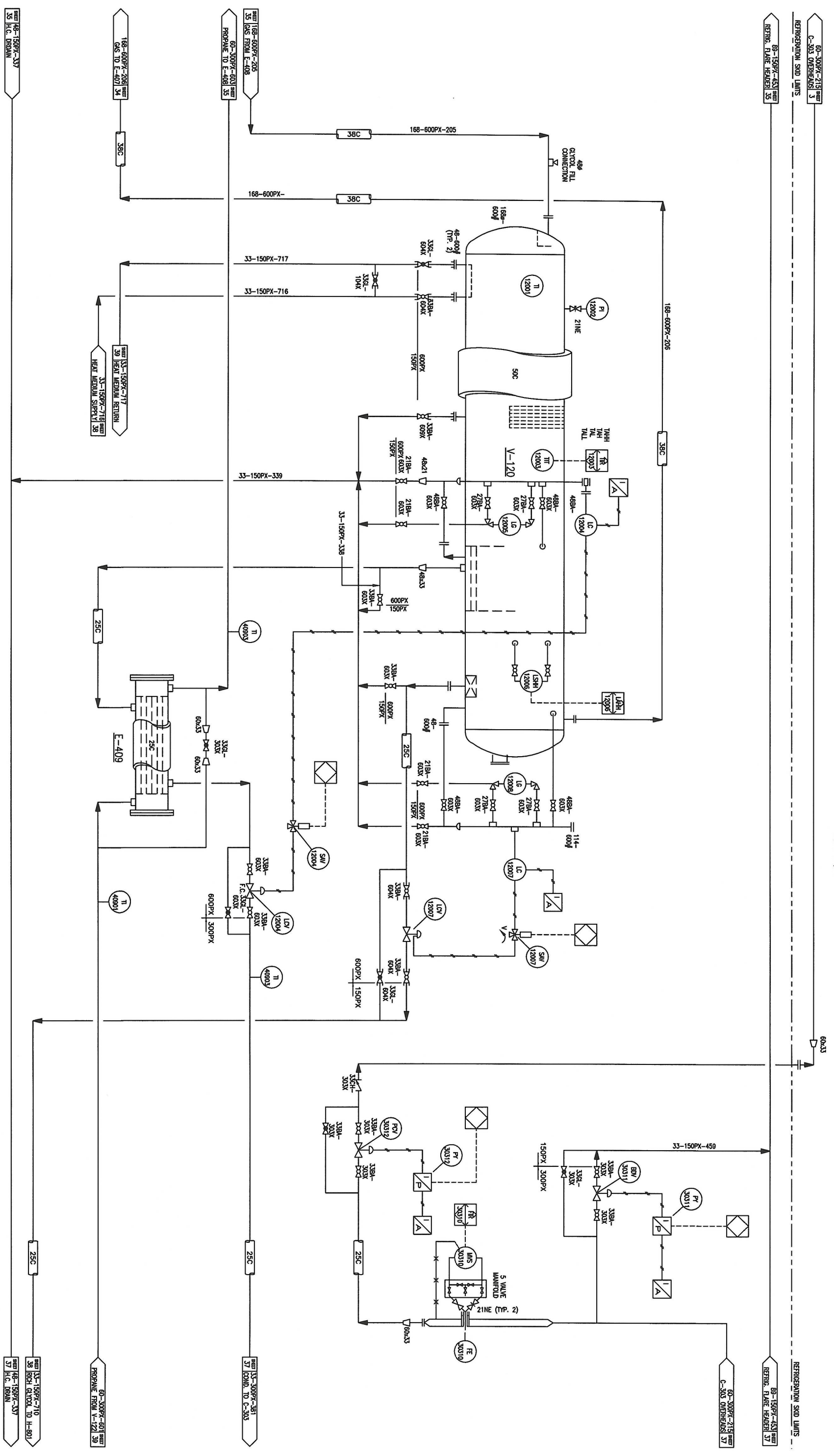


REFRIGERATION SMD LIMS	33-600PX-707 LEAN GLYCOL 34	REFRIGERATION SMD LIMS
REFRIGERATION SMD LIMS	33-150PX-707	REFRIGERATION SMD LIMS
REFRIGERATION SMD LIMS	168-600PX-205 HOT GAS BYPASS 41	REFRIGERATION SMD LIMS
REFRIGERATION SMD LIMS	60-300PX-603 PROPANE FROM E-408 35	REFRIGERATION SMD LIMS
REFRIGERATION SMD LIMS	33-300PX-41 HOT GAS BYPASS 41	REFRIGERATION SMD LIMS
REFRIGERATION SMD LIMS	33-150PX-707 LEAN GLYCOL 36	REFRIGERATION SMD LIMS
REFRIGERATION SMD LIMS	168-300PX-604 PROPANE W/400R 39	REFRIGERATION SMD LIMS
REFRIGERATION SMD LIMS	114-150PX-456	REFRIGERATION SMD LIMS
REFRIGERATION SMD LIMS	114-150PX-456 REFRIGERATION SMD LIMS	REFRIGERATION SMD LIMS
REFRIGERATION SMD LIMS	33-600PX-707 LEAN GLYCOL 34	REFRIGERATION SMD LIMS

SHEET NUMBER	DRAWING NUMBER	REV
35 OF 58	07-25-62-06-W5-5035	5

V-120  
 LOW TEMP SEPARATOR  
 914 O.D. x 3658 S/S  
 D.P. 5308 R<sub>2</sub> @ -29/85°C  
 C.L. 1.6mm

E-409  
 REFRIGERANT SUBCOOLER  
 8-72 NEW TEMA "C"  
 TS: 2988 R<sub>2</sub> @ -29/85°C, 1.6mm C.A.  
 SS: 5308 R<sub>2</sub> @ -29/85°C, 1.6mm C.A.  
 201649 810/1R



REFRIGERATION SMD LIMITS

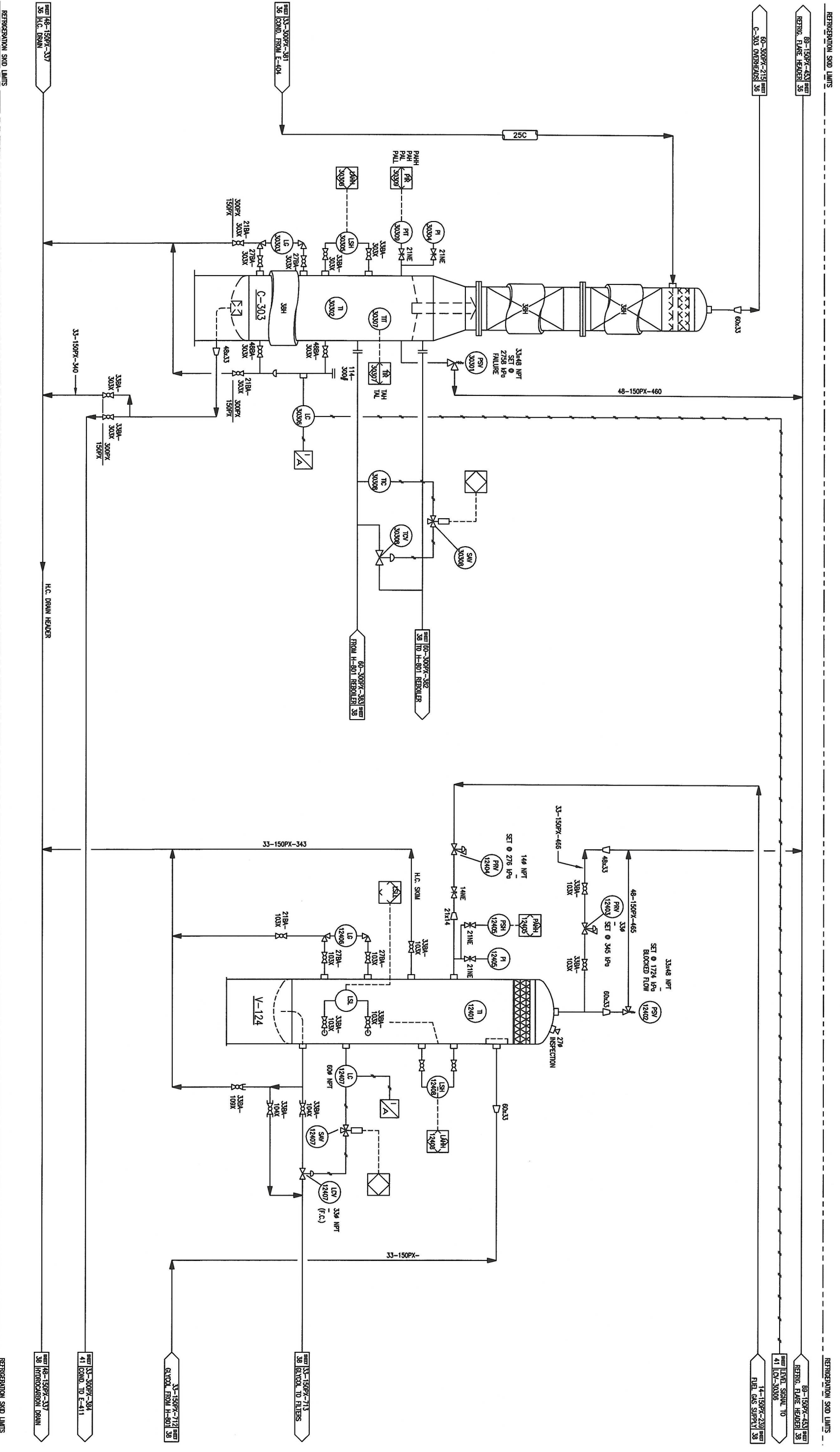
REFRIGERATION SMD LIMITS

SHEET NUMBER	DRAWING NUMBER	REV
36 OF 58	07-25-62-06-W5-3036	5



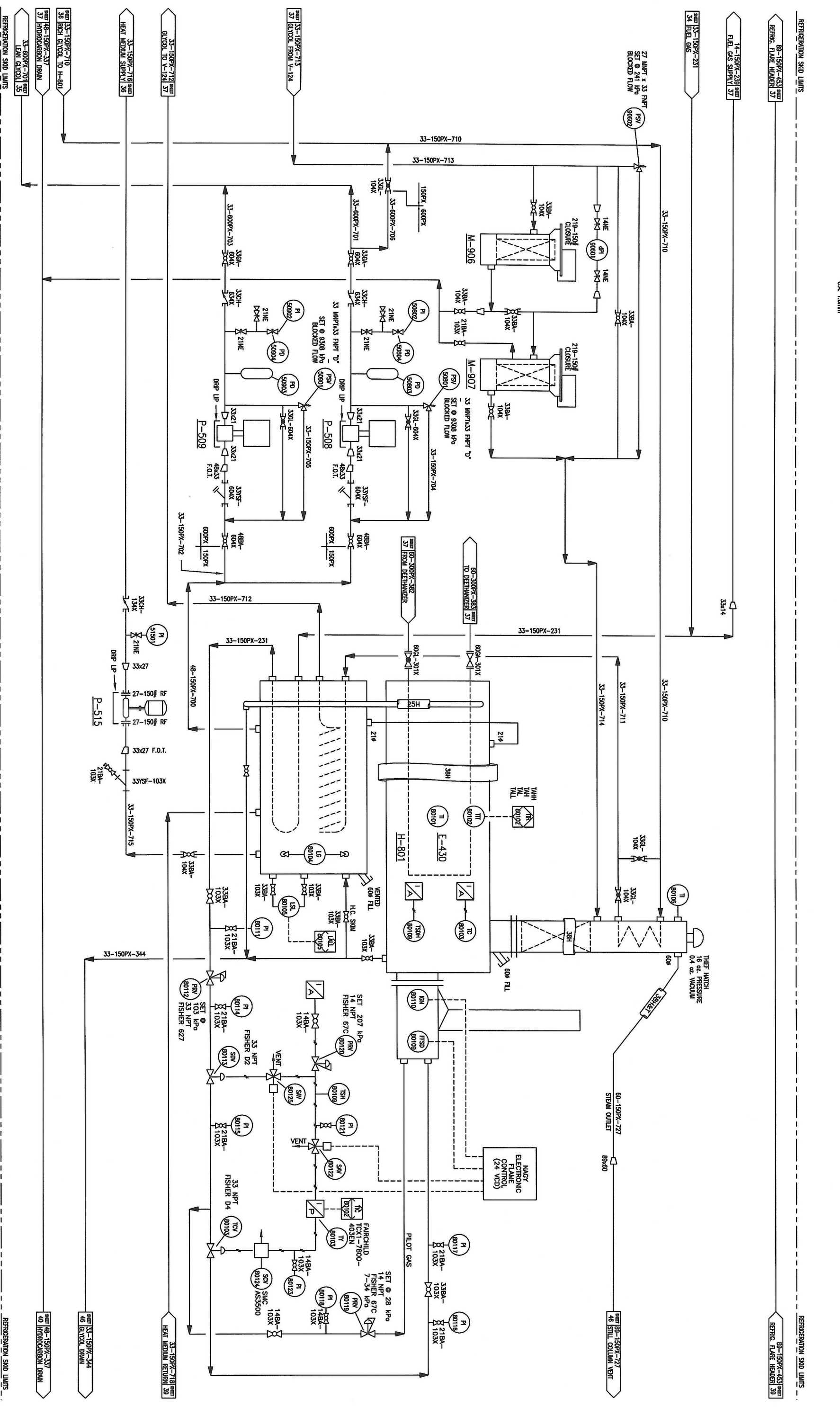
C-303  
 DEETHANIZER  
 324.219 O.D. x 13411 S/S  
 D.P. 2758 H.P. @ -29/204°C  
 (2) 4572 PACKED SECTIONS

V-124  
 GLYCOL FLASH SEPARATOR  
 324 O.D. x 1524 S/S  
 D.P. 1724 H.P. @ -29/95°C  
 C.A. 13mm  
 2 PHASE



SHEET NUMBER	DRAWING NUMBER	REV
37 OF 58	07-25-62-06-W5-3037	5

- M-906 GLYCOL PARTICULATE FILTER  
219 O.D. x 1219 HGT.  
1034 P.S.I. @ 250 GPM  
20 MICRON FINISH
- M-907 GLYCOL CHARCOAL FILTER  
219 O.D. x 1219 HGT.  
D.P. 1000000  
P.M. 1000000  
4" QUICK OPENING CLOSURE  
Car. 1.6mm
- P-508/509 GLYCOL INJECTION PUMPS  
TMC H040808  
9.8 P.M. @ 3500 RPM  
1/2" NPT  
1/2" MOTOR, 710
- H-801 GLYCOL REGENERATOR  
REGENER. 1087 O.D. x 4877 LG.  
SHEET PANE 974 O.D. x 3528 LG.  
SILL COLUMN 974 O.D. x 3528 LG.  
75 LBM/HR
- E-430 12-PASS 60# SOH40  
2738 P.S.I. @ 20/24°C  
DONT. 63.311 B10/HR
- P-515 GLYCOL CIRCULATION PUMP  
DEAN MODEL 3/4" DI. LINE  
2 HP, 3/60/1450 RPM  
3500 RPM



SHEET NUMBER	DRAWING NUMBER	REV
38 OF 58	07-25-62-06-W5-3038	5

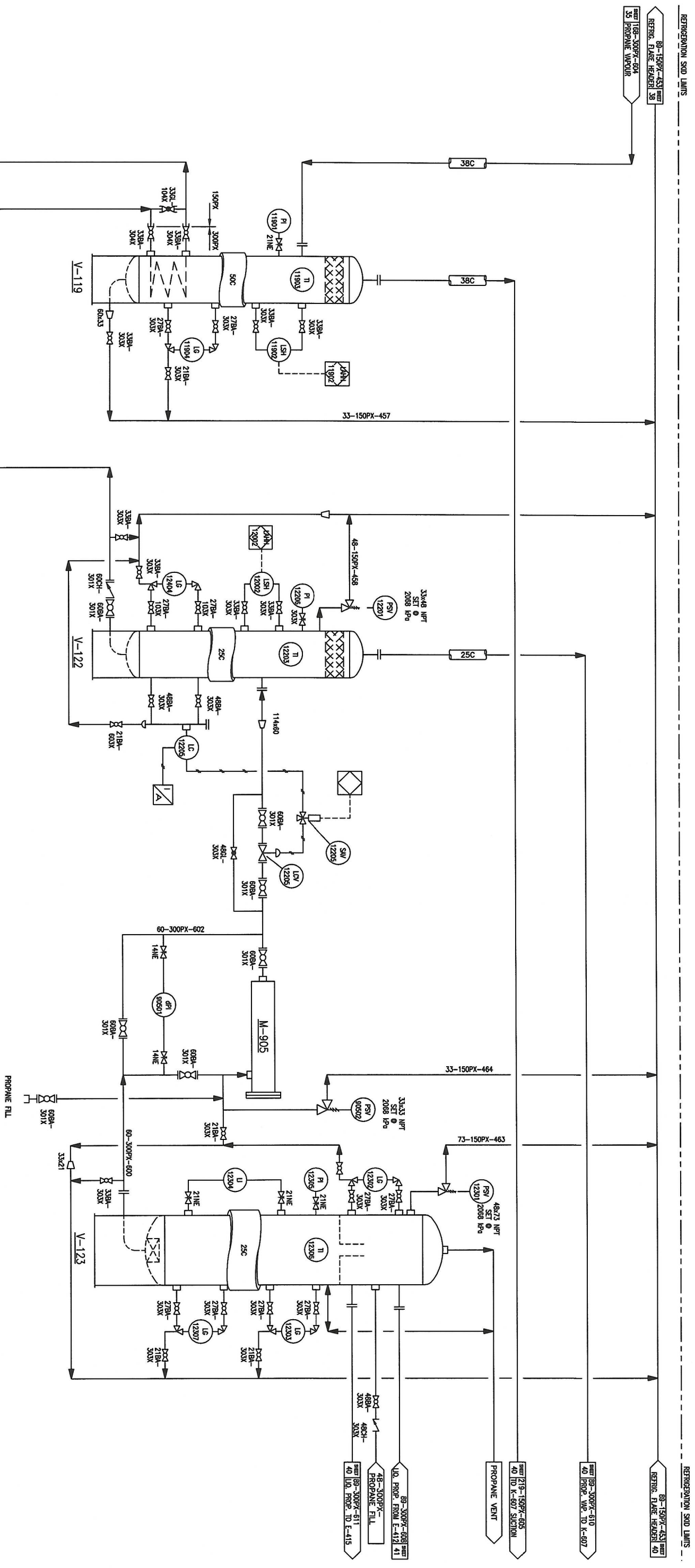


V-119  
SUCTION SCRUBBER  
762 OD x 2438 S/S  
D.P. 2068 lpa @ -29/55°C  
2 PHASE

V-122  
PROPANE ECONOMIZER  
762 OD x 2438 S/S  
D.P. 2068 lpa @ -29/55°C  
2 PHASE

M-905  
PROPANE DRIER  
SPRINKLE-1212P ONE CARTRIDGE  
4 KCM-48 ACTIVE DESICCANT CARTRIDGES

V-123  
PROPANE ACCUMULATOR  
762 OD x 1595 S/S  
D.P. 2068 lpa @ -29/55°C  
2 PHASE  
INTEGRAL TSOC REFRIGERANT RECEIVER



REFRIGERATION SUMP LIMITS

REFRIGERATION SUMP LIMITS

SHEET NUMBER	DRAWING NUMBER
39 OF 58	07-25-62-06-W5-3039
REV	5

K-607  
REFRIGERANT COMPRESSOR  
MTCOM V-SERIES SCREW COMPRESSOR  
c/w BLUOR 350 HP 480V 3PH MOTOR

V-121  
LUBE OIL SEPARATOR

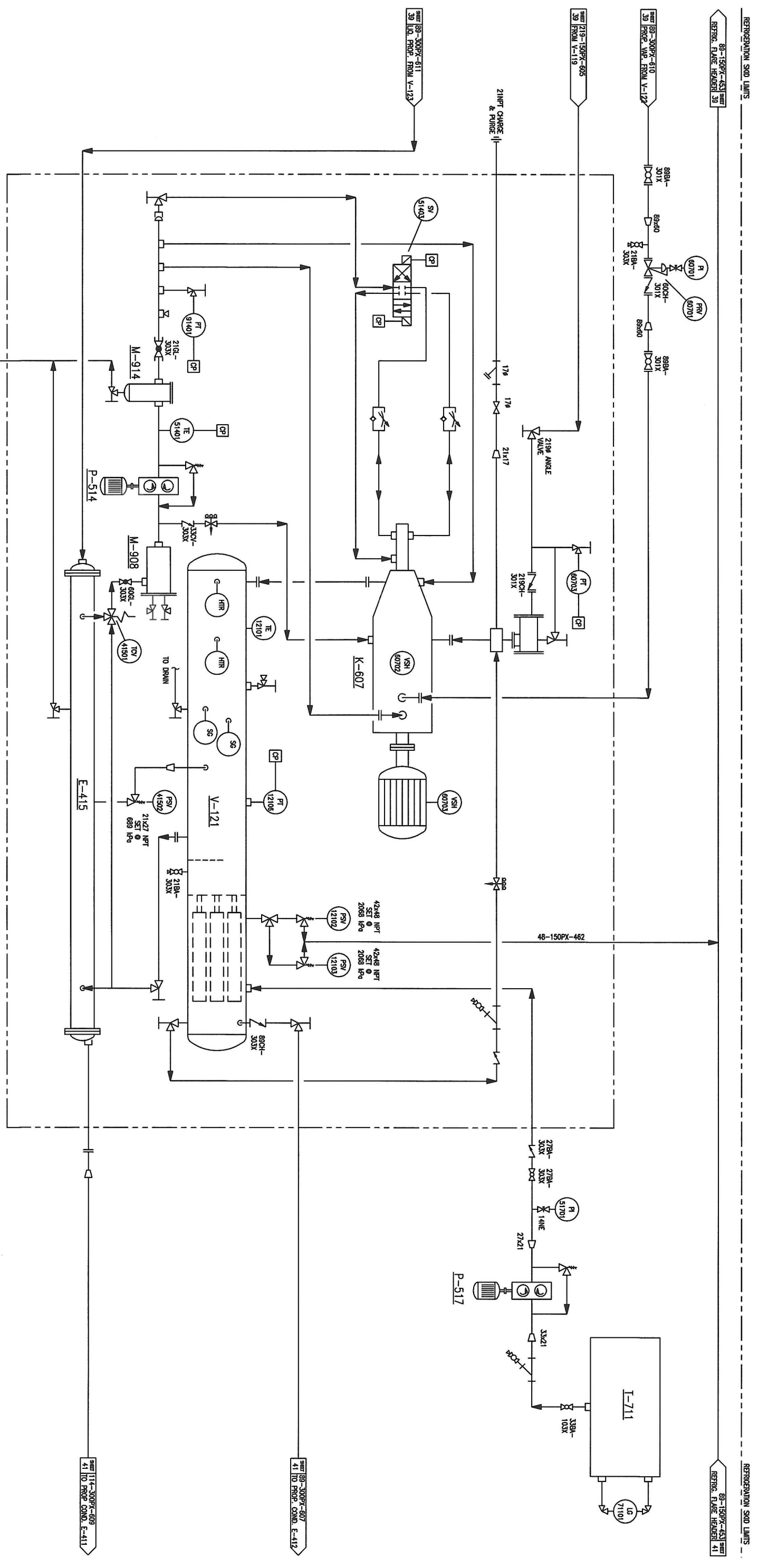
E-415  
THERMOSPHEON OIL COOLER

P-514  
LUBE OIL PUMP

M908/914  
LUBE OIL FILTERS

P-517  
COMPRESSOR OIL MAKE-UP PUMP  
TORNAL MODEL 4105  
SPR GEAR PUMP / INTEGRAL RELIEF VALVE  
1.5 HP 1/60/115 Wd 1750 RPM 115V MOTOR

I-711  
COMPRESSOR OIL TANK  
WESTEL ROSCO  
85 USGAL



89-150PX-453  
REFRIG. FLAME HEADER 39

89-150PX-610  
39 PROP. VLV. FROM V-121

89-150PX-605  
39 FROM V-119

89-300PX-611  
39 LIQ. PROP. FROM V-123

89-150PX-453  
REFRIG. FLAME HEADER 41

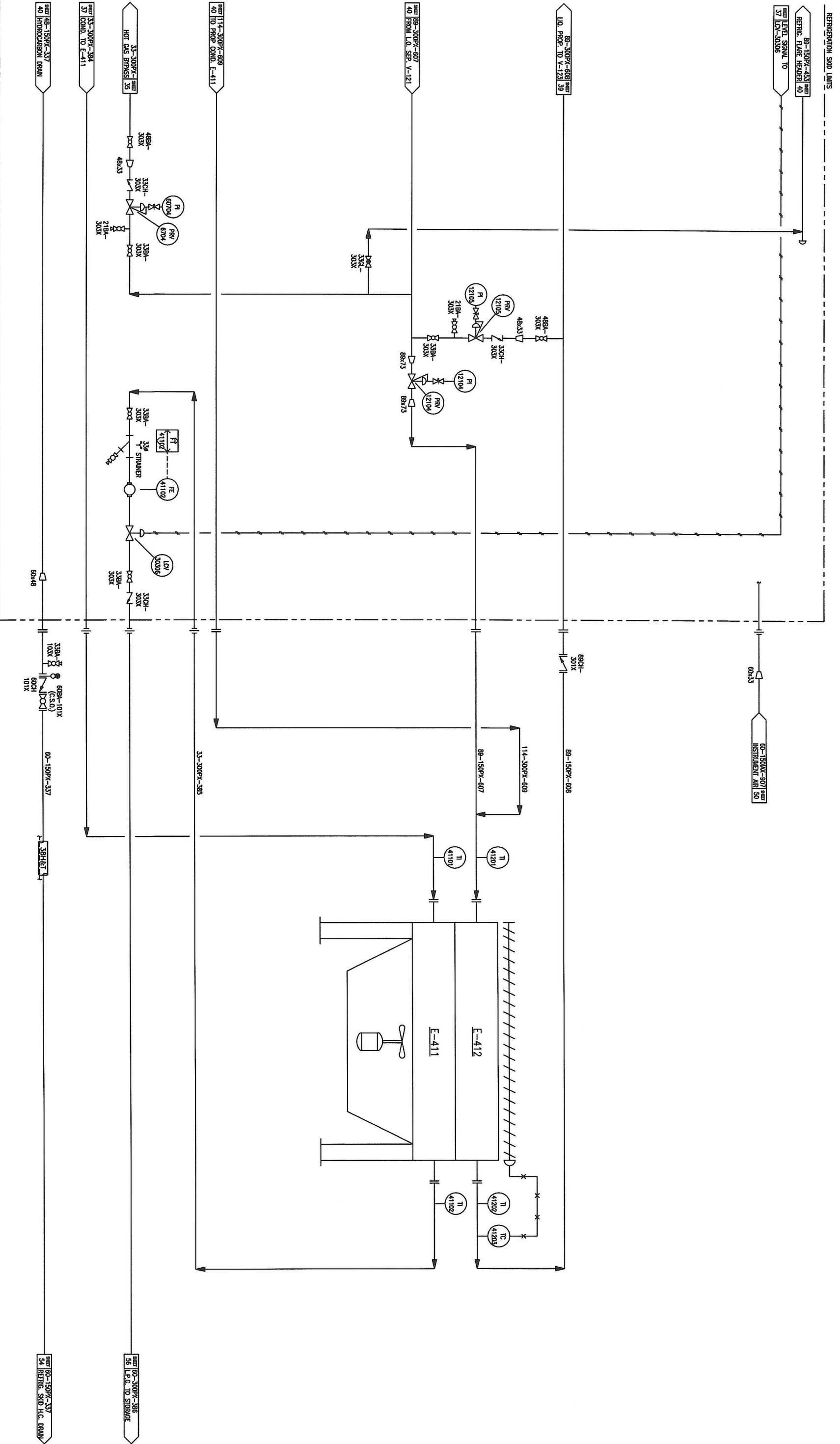
89-150PX-453  
REFRIG. FLAME HEADER 41

89-300PX-607  
41 TO PROP. COND. E-412

89-150PX-608  
41 TO PROP. COND. E-411

89-150PX-453  
REFRIG. FLAME HEADER 41

SHEET NUMBER	DRAWING NUMBER	REV
40 OF 58	07-25-62-06-W5-3040	5



SHEET NUMBER	DRAWING NUMBER	REV
41 OF 58	07-25-62-06-W5-3041	5



**H-803 BUILDING HEATER**  
 RUFFECK EX-16-480309-20-054-48  
 20W (8250 BTU/HR)  
 1/4 H.P., 480VAC/3PH/50HZ, Y.P. MOTOR  
 XT-311 XT: THERMOSTAT

**C-304 GLYCOL CONTACTOR**  
 508 O.D. X 914 S/S  
 DP: 1379 P/eq @ -29/65°C  
 10 TURNS  
 CA: 1.6mm

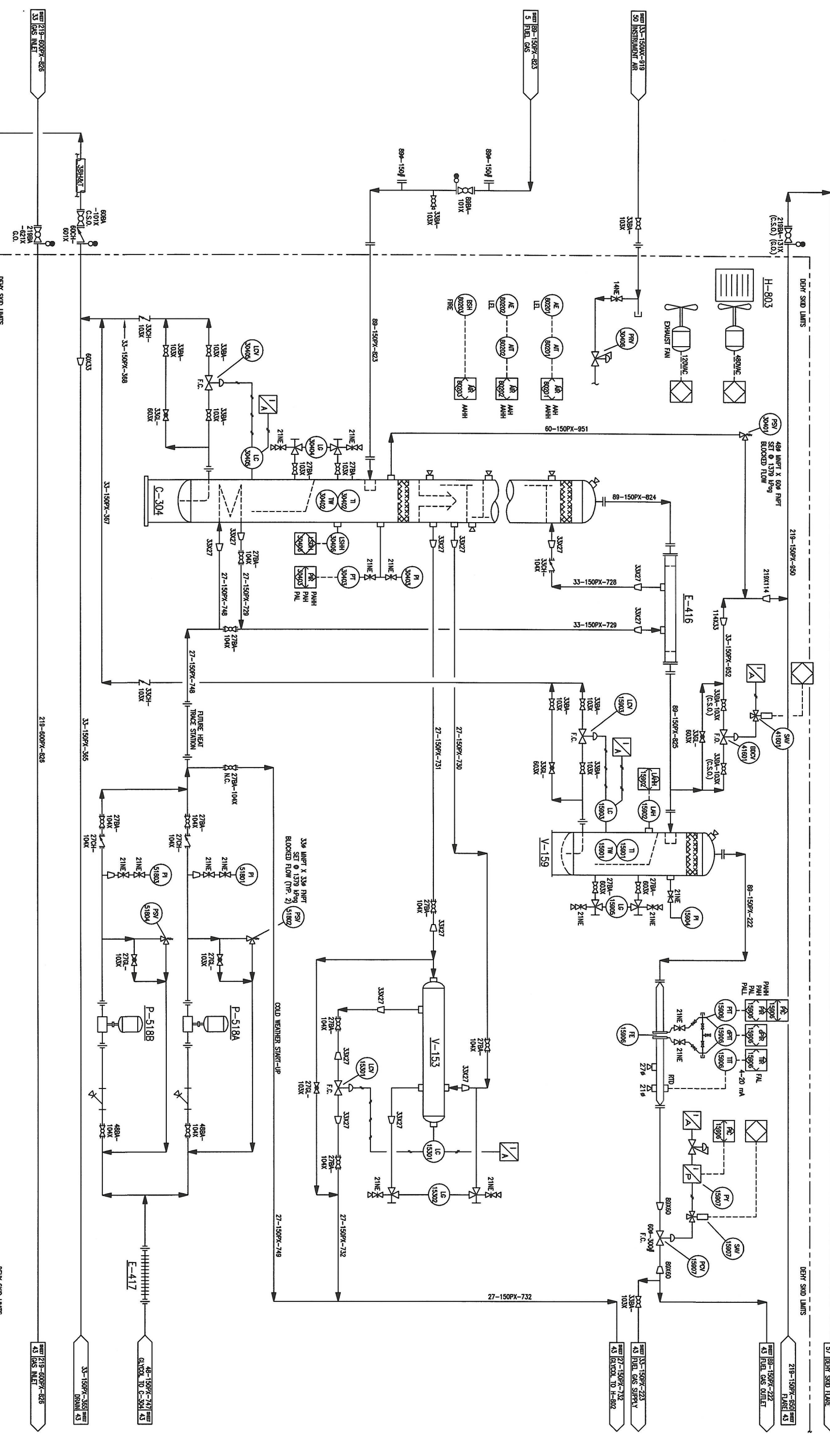
**E-416 GAS/GLYCOL HEAT EXCHANGER**  
 89 O.D. X 114 O.D. 3048 L.  
 1379 P/eq @ -29/65°C  
 CA: 1.6mm

**V-159 FUEL GAS SCRUBBER**  
 610 O.D. X 1924 S/S  
 DP: 1379 P/eq @ -29/65°C  
 CA: 1.6mm

**V-153 GLYCOL LEVEL CASE**  
 114 O.D. X 610 S/S  
 DP: 9758 P/eq @ -29/95°C

**P-518 A/B GLYCOL PUMPS**  
 UNION ST-3 SUPER PUMP  
 DP: 1379 P/eq @ 0.63 USGPM  
 1/4 H.P., 480VAC/3PH/50HZ  
 0.75 W/FLUMBER @ 180 H.P.H.

**E-417 AIR/GLYCOL HEAT EXCHANGER**  
 38 X 3048 L.C.  
 SCH: 40 FIN/INCH



SHEET NUMBER	DRAWING NUMBER	REV
42 OF 58	07-25-62-06-W5-3042	5

C-305  
GLYCOL CONDENSATOR  
1067 I.D. X 108.3 S/S  
DP: 9758 I.D. 29/33C  
10 FIBR  
CA 1.6mm

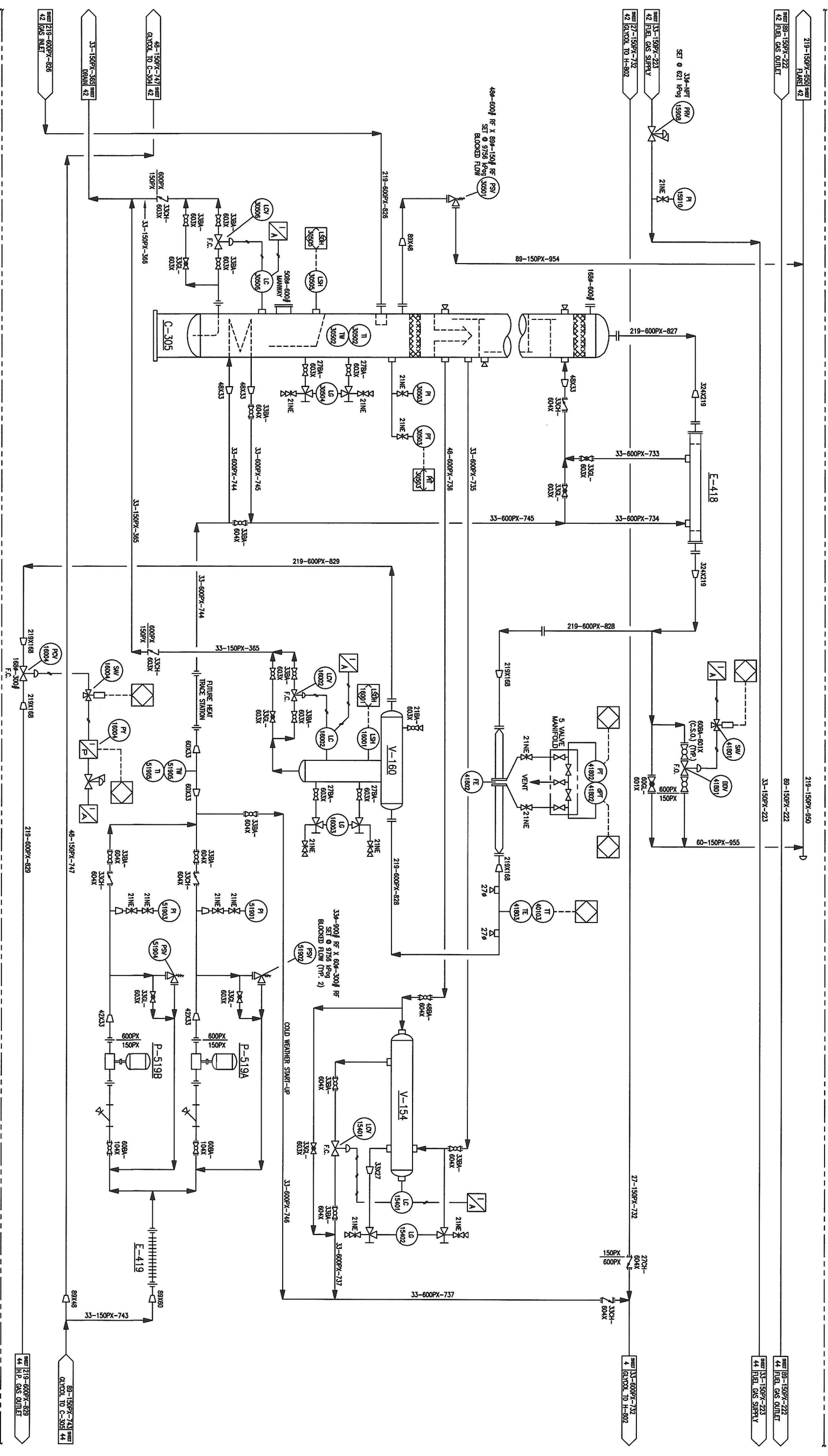
E-418  
GAS/GLYCOL HEAT EXCHANGER  
S 3798 D.P. 150g @ 20/55C  
S 3798 D.P. 150g @ 20/55C  
S 3798 D.P. 150g @ 20/55C  
S 3798 D.P. 150g @ 20/55C  
CA 1.6mm

V-160  
RECYCLE SEPARATOR  
408 Q.D. X 30.6 F.F.  
DP: 180 D.P. 457 Ld. 800T  
CA 1.6mm

P-519 A/B  
GLYCOL PUMPS  
JUNON DV-5 DUREX PUMP  
D.P. 7.5 H.P. 2000W/320/60HZ  
1.125" PUNTERS @ 270 R.P.M.  
IDP: CLASS 1, DIV. 1

V-154  
GLYCOL LEVEL CAGE  
188 Q.D. X 610 S/S  
D.P. 9758 I.D. 29/33C  
1.6mm CA

E-419  
AIR/GLYCOL HEAT EXCHANGER  
51 X 30.6 Ld.  
SCH. 40 TUBE





**M-915**  
GLYCOL PARTICULATE FILTER  
219 O.D. X 1143 HIGH  
D.P. 1379 Hg/H<sub>2</sub>O @ 29"/93°C  
10 MICRON NOMINAL BETA EFFICIENCY  
1.5mm  
C/W SHIMBO BALL CLOSURE

**M-916**  
GLYCOL CHARCOAL FILTER  
356 O.D. X 1143 HIGH  
D.P. 1379 Hg/H<sub>2</sub>O @ 29"/93°C  
(2) CHARACTER ELEMENTS/CA. 1.5mm  
C/W SHIMBO BALL CLOSURE

**H-802**  
GLYCOL RECONCENTRATOR  
1219 O.D. X 4877 LG. REBOILER  
1067 O.D. X 3638 LG. SURGE TANK  
457 O.D. X 660 HRESH STACK  
457 O.D. X 3810 LG. STILL COLUMN

**H-803**  
BURNER CONTROL PANEL  
ZINCO AQ1-5000  
SPARK GENERATED IGNITOR  
AUTO/MANUAL RE-IGNIT  
FLAME TRL SHUTDOWN  
REMOTE START/STOP SIGNALS

DEHY SMD LIMITS

DEHY SMD LIMITS

89-150PX-222

89-150PX-222  
43 FUEL GAS OUTLET

33-150PX-223  
43 FUEL GAS SUPPLY

33-600PX-732  
43 GLYCOL TO H-802

89-150PX-222  
49 FUEL GAS

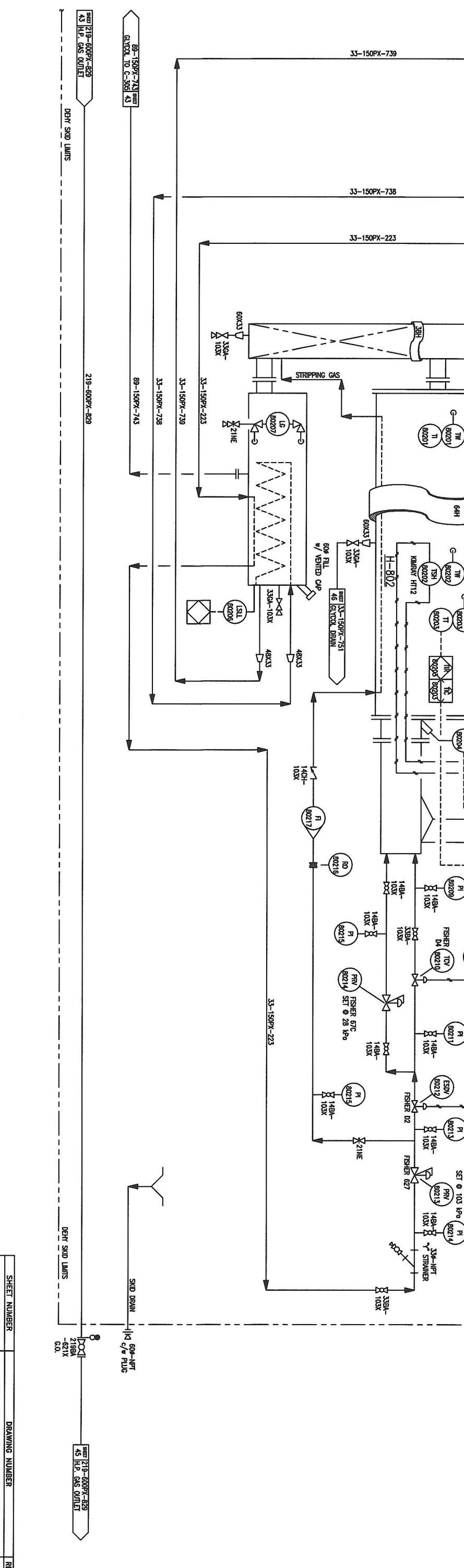
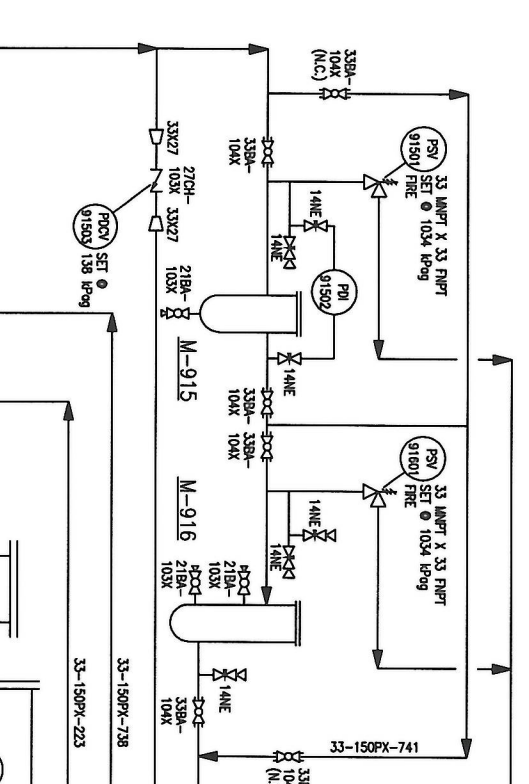
89-150PX-750  
46 STILL COLUMN VENT

POWER  
STATUS

NAOY FCI 201

ASCO/SW  
EFT300C200-24 (02218)

FAIRCHILD  
T0X1 7800-4035P



SHEET NUMBER	DRAWING NUMBER	REV
44 OF 58	07-25-62-06-W5-3044	5