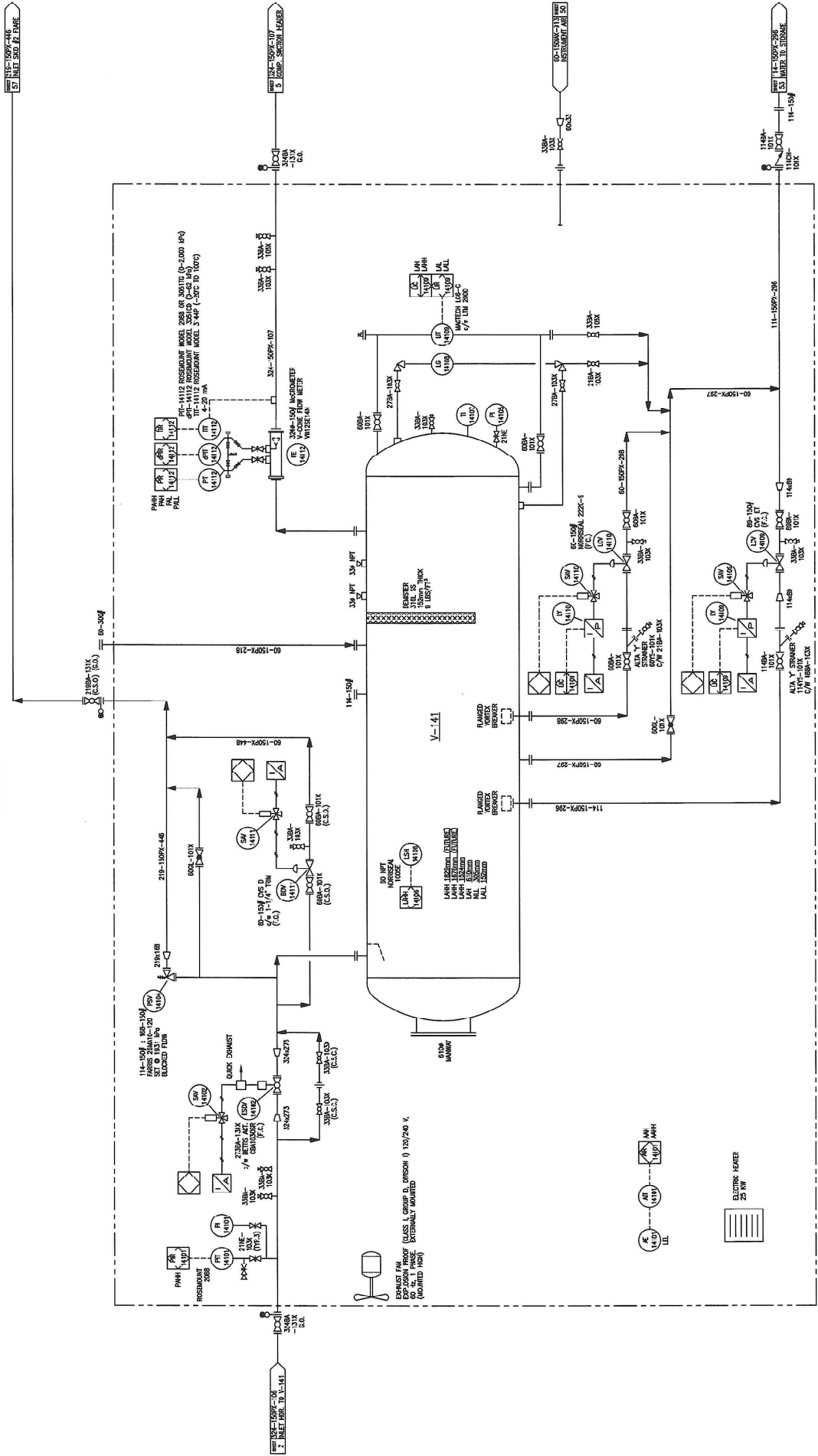


V-141  
 INLET SEPARATOR  
 24.00 O.D. x 91.44 H.T.  
 0.375 WALL THICKNESS  
 INTERNALLY COATED



EXHAUST FAN MOTOR (CLASS I, GROUP D, DIVISION 1) 110/240 V,  
 50 Hz, 3 PHASE  
 EXTERNALLY MOUNTED  
 (MOUNTED 185)

ELECTROMETER  
 25 MM