

FORT ENERGY CORPORATION

CORBETT GAS PLANT ELECTRICAL DRAWING SET

ORIGINAL DRAWING # 23212

2004 GAS PLANT MODIFICATION PROJ. # 43733

2005 EXPANSION PROJ. # 43884



**Bower Damberger Rolseth
Engineering Ltd.**

LAYOUT SCHEMATIC SYMBOLS

	EXPOSED CONDUIT OR TECK CABLE
	UNDERGROUND CONDUIT OR TECK CABLE
	FLEXIBLE CONDUIT
	CONDUIT OR CABLE SEAL
	EMERGENCY LIGHTING POWER PACK UNIT
	PENDANT MOUNTED LIGHT FIXTURE
	WALL MOUNTED LIGHT FIXTURE
	FLUORESCENT FIXTURE
	FLOODLIGHT (3 HEADS)
	FIRE DETECTION
	GAS OR (H2S) DETECTION
	GROUND ROD AND WELL
	GROUND CONNECTION BOLTED CLAMPED OR COMPRESSION
	GROUNDING CONDUCTOR
	TRUCK GROUND CONSISTING OF 8m #4 OIL RESISTANT WELDING CABLE CLAMP AND STAND.
	120VAC, WEATHER PROOF PILOT DUTY PHOTOCELL
	END DEVICE c/w CALLOUT
	DETAIL #
	DETAIL DWG. #
	END DEVICE (CONTROL STATION) STAND MOUNTED
	AREA OR DETAIL LIMITS

SINGLE LINE SCHEMATIC SYMBOLS

	BUS-BAR CONNECTION		DIGITAL METER
	TRANSFORMER 480V 30KVA 480V PRIMARY 120/208V SECONDARY		AMMETER
	THREE WINDING TRANSFORMER		VOLTMETER
	DISCONNECT DEVICE STAB, PLUG-IN		ELAPSED TIME METER
	FUSED DISCONNECT 150A FUSE RATING 200A DISCONNECT RATING		SURGE SUPPRESSOR (24VDC)
	DISCONNECT SWITCH		KEY INTERLOCK
	FUSE 100A FUSE RATING		AMMETER SWITCH
	CIRCUIT BREAKER 1200A TRIP RATING 1600AF FRAME RATING		VOLTMETER SWITCH
	WITHDRAWABLE AIR OR VACUUM CIRCUIT BREAKER		HAND/OFF/AUTO SWITCH
	CONTACTOR EEMAC SIZE 2		START/STOP CONTROL STATION
	MAGNETIC ONLY MOTOR CIRCUIT PROTECTOR		ON/OFF CONTROL STATION
	COMBINATION STARTER COMPLETE WITH MCP, CONTACTOR AND THERMAL OVERLOADS		THERMOSTAT
	REACTOR		SPEED CONTROL POT
	INDUCTION MOTOR WITH KW OR HP RATING		COMBINATION CONTROL STATION
	CURRENT TRANSFORMER RATIO (100/5) & QTY REQUIRED (3)		SPEED POT
	POTENTIAL TRANSFORMER RATIO (480/120V) & QTY REQUIRED (2)		LOCAL REMOTE
	LIGHTNING OR SURGE ARRESTER		ON/OFF
	SURGE CAPACITOR		SPACE HEATER
			THERMISTOR
			THERMISTOR RELAY
			MCC CUBICLE LOCATION
			VARIABLE FREQUENCY DRIVE
			AUTO TRANSFORMER, VFD RATED
			SOLID STATE MOTOR OVERLOAD

WIRING SCHEMATIC SYMBOLS

	SELECTOR SWITCH HAND/OFF/AUTO		SELECTOR SWITCH 2 POSITION
	BATTERY		N.O. PUSHBUTTON MOMENTARY CONTACT PUSHBUTTON
	LOCAL EQUIPMENT CONDUCTOR		N.C. PUSHBUTTON MOMENTARY OPEN PUSHBUTTON
	NON LOCAL EQUIPMENT CONDUCTOR		FLOW SWITCH OPENS ON LOW FLOW
	SHIELDED CABLE WITH GROUNDED SHIELD		VIBRATION SWITCH OPENS ON LOW FLOW
	SHIELDED CABLE WITH SHIELD CUT AWAY		LEVEL SWITCH OPENS ON LOW LEVEL
	RELAY COIL 400 REFERS TO THE SCHEMATIC LINE NO. THE RELAY COIL IS ON		LEVEL SWITCH OPENS ON HIGH LEVEL
	TIME DELAY COIL 430 REFERS TO THE SCHEMATIC LINE NO. THE TIME DELAY COIL IS ON		PRESSURE SWITCH OPENS ON LOW PRESSURE
	MOTOR STARTER COIL 1060 REFERS TO THE SCHEMATIC LINE NO. THE MOTOR STARTER COIL IS ON		PRESSURE SWITCH OPENS ON HIGH PRESSURE
	CONTACTOR COIL 3060 REFERS TO THE SCHEMATIC GRID NO. THE CONTACTOR COIL IS ON		TEMPERATURE SWITCH OPENS ON LOW TEMPERATURE
	N.O. CONTACT		TEMPERATURE SWITCH OPENS ON HIGH TEMPERATURE
	N.C. CONTACT		SOLENOID (SAV)
	OVERLOAD CONTACTS		SPST SWITCH
	TIME DELAY ON DE-ENERGIZATION (N.O. TIME DELAY CLOSE)		ALARM BEACON (RED) ROTATING
	TIME DELAY ON ENERGIZATION (N.C. TIME DELAY OPEN)		ALARM BEACON (AMBER) STROBE
	PHOTOCELL		CONTROL PANEL FUSE
	SINGLE PHASE MOTOR		FUSED DISCONNECT TERMINAL
	FAN MOTOR 1PH		DISCONNECT TERMINAL
	MANUAL MOTOR STARTER C/W O/L		
	HORN		
	PILOT LIGHT (GREEN)		

CONTROL SCHEMATICS - LEGEND

TS	MAIN CONTROL PANEL TERMINAL
	STANDARD TERMINAL
	DISCONNECT TYPE TERMINAL
	FUSED TERMINAL
	MANUFACTURED EQUIPMENT TERMINAL
	MANUFACTURED EQUIPMENT TERMINAL
	FIELD/SKID JUNCTION BOX TERMINAL
TAG	SERVICE
TBL	120VAC UTILITIES
TBD	24VDC CONTROL
TBA	ANALOG
TAG#	FIELD/SKID J.BOX
180	V-180 INLET BLDG.
182	V-182 BLOWCASE BLDG.
650	K-650 BOOSTER COMPRESSOR BLDG.
620	K-620 COMPRESSOR BLDG.
630	K-630 COMPRESSOR BLDG.
670	K-670 COMPRESSOR BLDG.
680	K-680 COMPRESSOR BLDG.
300	C-300 AMINE BLDG.
640	K-640 REFRIGERATION BLDG.
690	K-690 REFRIGERATION BLDG.
711	T-711 SOUTH TANK FARM AREA
701	T-701 NORTH TANK FARM AREA
709	FLARE K.O. DRUM BLDG.

0	ISSUED FOR INFORMATION	43733	FC	04.09.29	ATB	04.09.29
NO.	REVISION	PROJ. No.	BY	DATE	CHK.	DATE

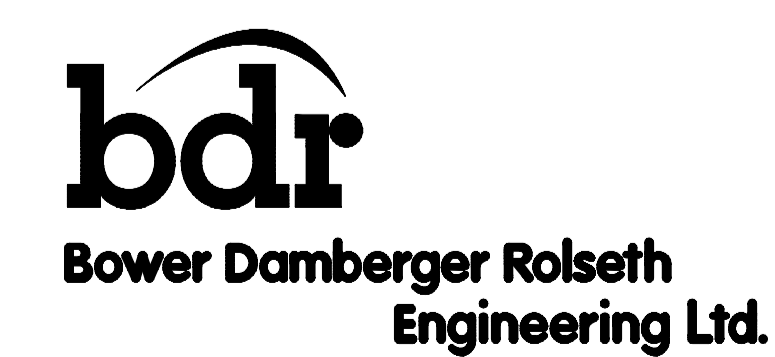
PERMIT STAMP:

--	--	--	--	--	--

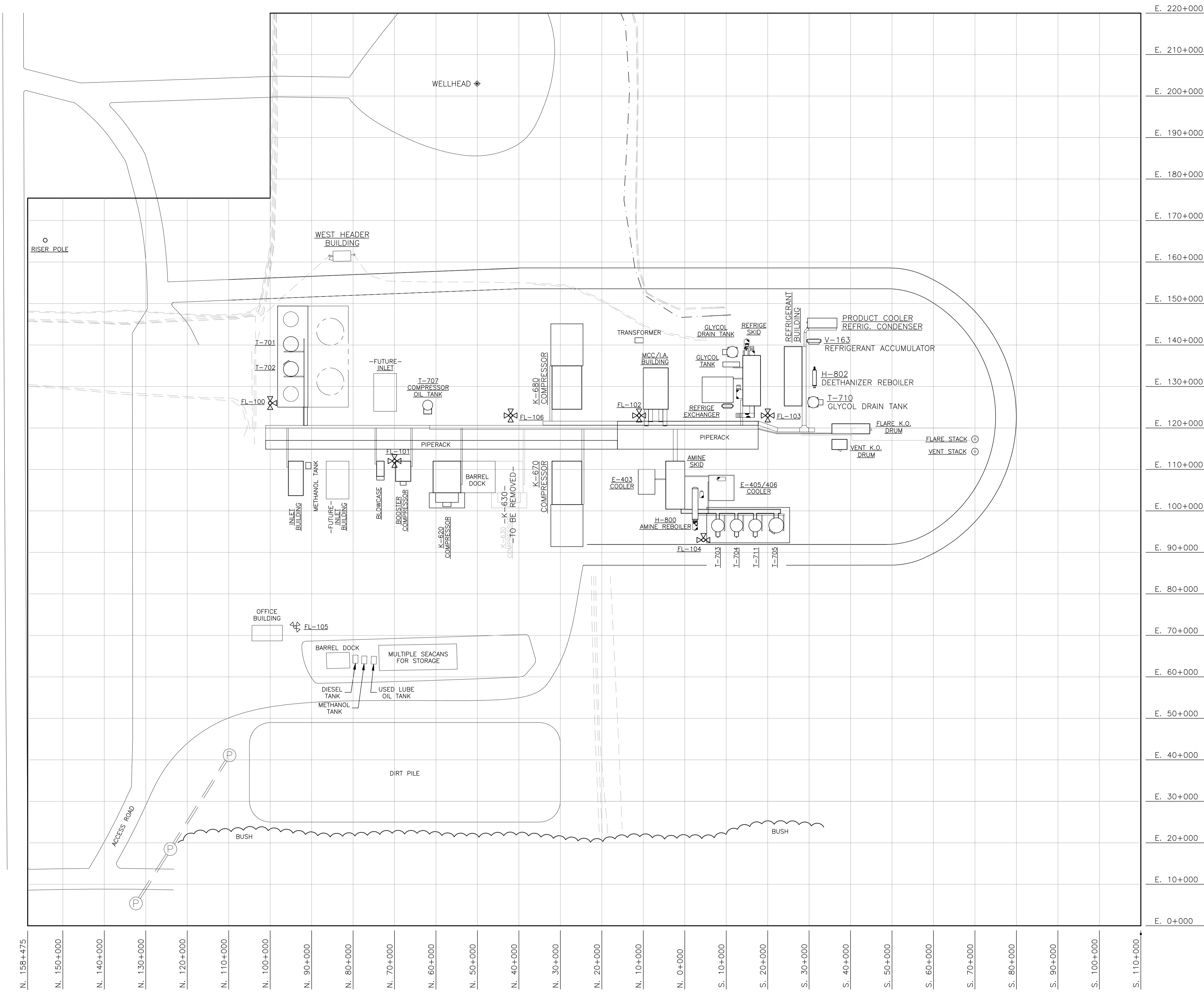
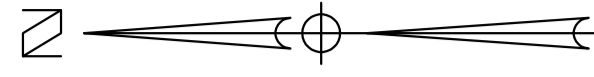
GENERAL NOTES:

- "POST CONSTRUCTION DRAWINGS" ARE GENERATED FROM CONSTRUCTION CHANGE INFORMATION FORWARDED TO BOWER DAMBERGER ROLSETH ENGINEERING LTD. BY THE OWNER'S FIELD SUPERVISORS AND/OR FIELD CONTRACTORS. ANY CHANGES NOT DOCUMENTED WILL NOT APPEAR ON THE DRAWINGS AND THEREFORE THE DRAWING MAY NOT BE AN ACCURATE REPRESENTATION OF THE CONSTRUCTED FACILITY.
- PRIOR TO THE COMMENCEMENT OF ANY CONSTRUCTION AND/OR EXCAVATION IT SHALL BE THE RESPONSIBILITY OF THE OWNER'S REPRESENTATIVE TO VERIFY THE LOCATION AND STATUS OF ANY PIPING, ELECTRICAL EQUIPMENT OR BUILDINGS.
- ANY REVISIONS MADE TO EXISTING EQUIPMENT, PIPING OR ELECTRICAL ON A FACILITY NOT DESIGNED BY B.D.R. ENG. LTD. IS ONLY SHOWN AS A REPRESENTATION OF WHAT EXISTS AND MUST BE VERIFIED BY THE OWNER.

DRN.	FC	04.09.29
CHK.		
APP'D.		
L.S.D.	15-10-62-06	WSM



FORT ENERGY CORPORATION		
CORBETT GAS PLANT		
SYMBOLS AND LEGEND DRAWING		
SCALE	DRAWING NUMBER	REV
N/A	D-23212-E-00-001	0



NO.	REVISION	PROJECT	DSN	DRN	CHK'D	APP'D	DATE
7	POST CONSTRUCTION REVISIONS	43884	BGO	SRM			06.02.14
6	2005 EXPANSION ISSUED FOR CONSTRUCTION	43884	BGO	FC	BGO	RLB	05.10.19
5	2005 EXPANSION ISSUED FOR BID	43884	BGO	FC	BGO		05.09.26
4	2005 EXPANSION ISSUED FOR APPROVAL	43884	BGO	FC	BGO		05.09.06
3	POST CONSTRUCTION REVISIONS	43733	ATB	SM	ATB		05.02.02
2	ISSUED FOR CONSTRUCTION	43733	ATB	FC	ATB	WDS	04.11.01
1	ISSUED FOR FIELD BID	43733	ATB	FC	ATB		04.10.15
0	ISSUED FOR APPROVAL	43733	BGO	FC	BGO		04.08.24

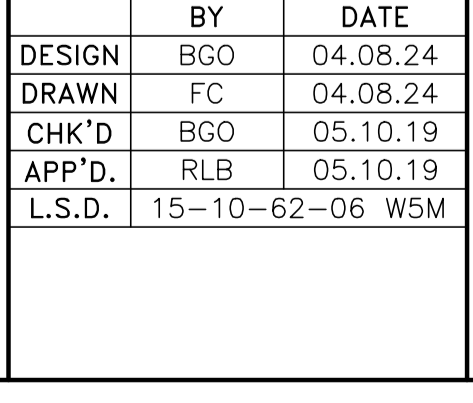
PERMIT STAMP:

STAMP APPLIED TO REV. 6 ONLY

GENERAL NOTES:

- "POST CONSTRUCTION DRAWINGS" ARE GENERATED FROM CONSTRUCTION CHANGE INFORMATION FORWARDED TO BOWER DAMBERGER ROLSETH ENGINEERING LTD. BY THE OWNER'S FIELD SUPERVISORS AND/OR BIDDING CONTRACTORS. ANY CHANGES NOT DOCUMENTED WILL NOT APPEAR ON THE DRAWINGS AND THEREFORE THE DRAWING MAY NOT BE AN ACCURATE REPRESENTATION OF THE CONSTRUCTED FACILITY.
- PRIOR TO THE COMMENCEMENT OF ANY CONSTRUCTION AND/OR EXCAVATION IT SHALL BE THE RESPONSIBILITY OF THE OWNER REPRESENTATIVE TO VERIFY THE LOCATION AND STATUS OF ANY PIPING, ELECTRICAL, EQUIPMENT OR BUILDINGS.
- ANY REVISIONS MADE TO EXISTING EQUIPMENT, PIPING OR ELECTRICAL ON A FACILITY NOT DESIGNED BY B.D.R. ENG. LTD. IS ONLY SHOWN AS A REPRESENTATION OF WHAT EXISTS AND MUST BE VERIFIED BY THE OWNER.

DESIGN	BY	DATE
DRAWN	BGO	04.08.24
CHK'D	BGO	05.10.19
APP'D.	RLB	05.10.19
L.S.D.	15-10-62-06	W5M



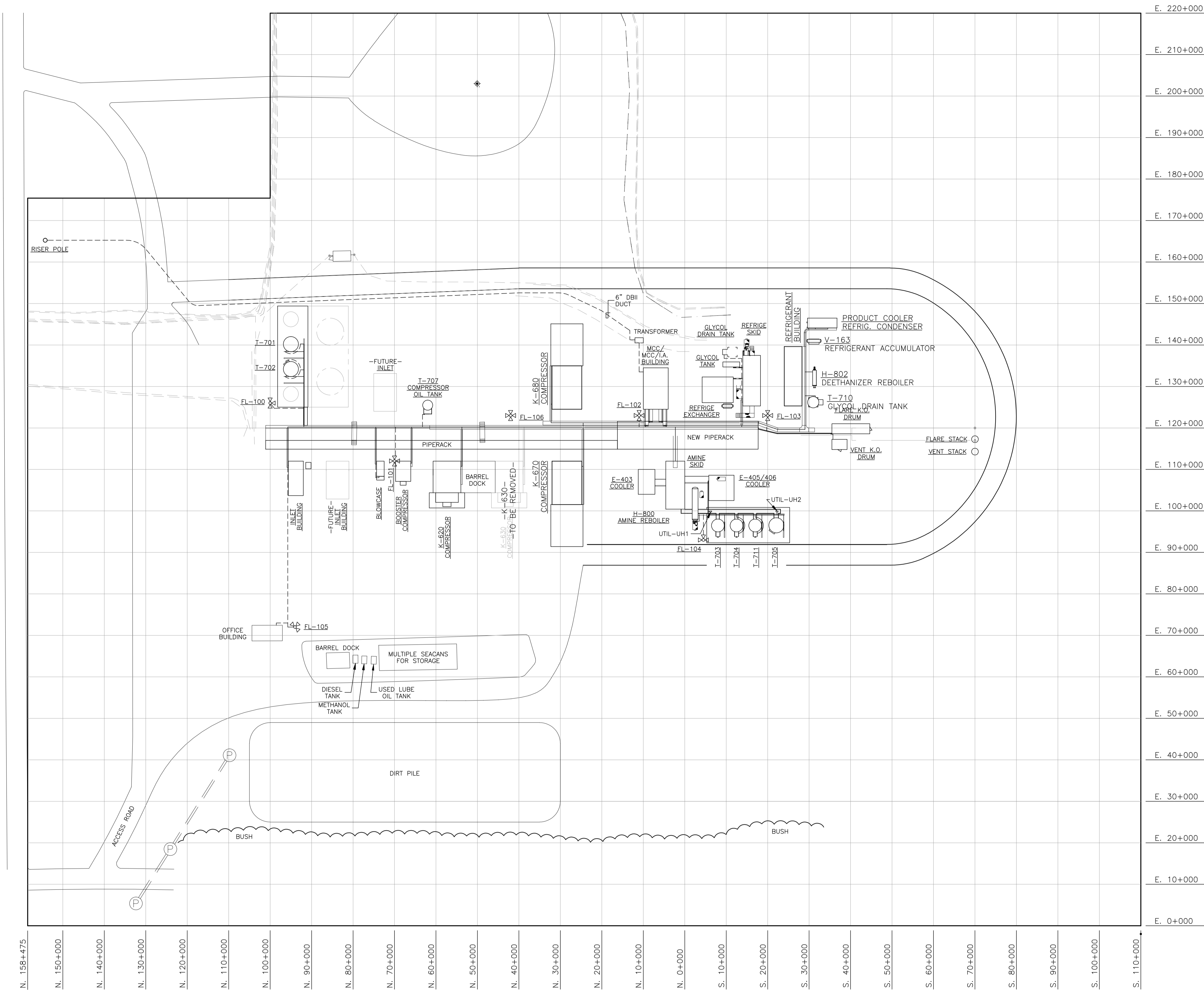
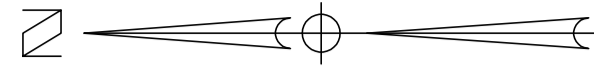
FORT ENERGY CORPORATION

CORBETT GAS PLANT
ELECTRICAL EQUIPMENT LAYOUT/
PLOT PLAN

SCALE: 1 : 500

DRAWING NUMBER: D-23212-E-01-001

REV: 7



NO.	REVISION	PROJECT	DSN	DRN	CHK'D	APP'D	DATE
7	POST CONSTRUCTION REVISIONS	43884	BGO	SRM			06.02.14
6	2005 EXPANSION ISSUED FOR CONSTRUCTION	43884	BGO	FC	BGO	RLB	05.10.19
5	2005 EXPANSION ISSUED FOR BID	43884	BGO	FC	BGO		05.09.26
4	2005 EXPANSION ISSUED FOR APPROVAL	43884	BGO	FC	BGO		05.09.06
3	POST CONSTRUCTION REVISIONS	43733	ATB	SM	ATB		05.02.02
2	ISSUED FOR CONSTRUCTION	43733	ATB	FC	ATB	WDS	04.11.01
1	ISSUED FOR FIELD BID	43733	ATB	FC	ATB		04.10.15
0	ISSUED FOR APPROVAL	43733	BGO	FC	BGO		04.08.24

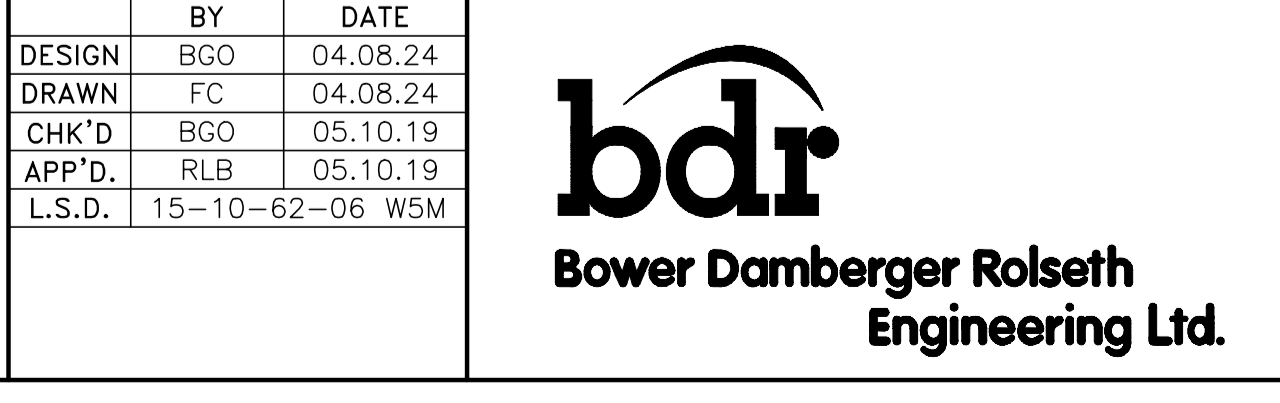
PERMIT STAMP:

STAMP APPLIED TO REV. 6 ONLY

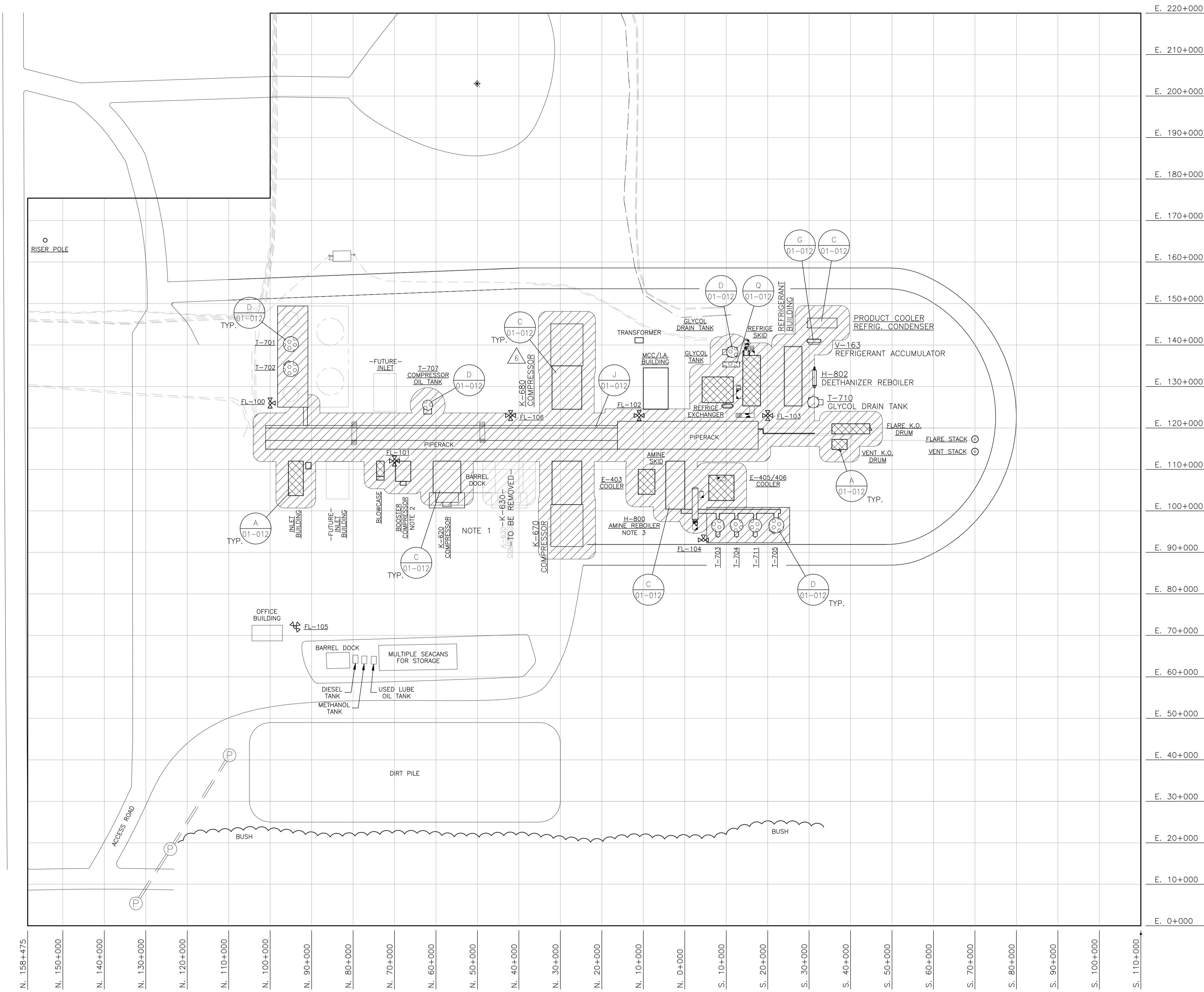
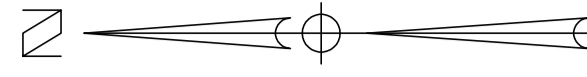
GENERAL NOTES:

- "POST CONSTRUCTION DRAWINGS" ARE GENERATED FROM CONSTRUCTION CHANGE INFORMATION FORWARDED TO BOWER DAMBERGER ROLSETH ENGINEERING LTD. BY THE OWNER'S FIELD SUPERVISORS AND/OR BIDDING CONTRACTORS. ANY CHANGES NOT DOCUMENTED WILL NOT APPEAR ON THE DRAWINGS AND THEREFORE THE DRAWING MAY NOT BE AN ACCURATE REPRESENTATION OF THE CONSTRUCTED FACILITY.
- PRIOR TO THE COMMENCEMENT OF ANY CONSTRUCTION AND/OR EXCAVATION IT SHALL BE THE RESPONSIBILITY OF THE OWNER REPRESENTATIVE TO VERIFY THE LOCATION AND STATUS OF ANY PIPING, ELECTRICAL, EQUIPMENT OR BUILDINGS.
- ANY REVISIONS MADE TO EXISTING EQUIPMENT, PIPING OR ELECTRICAL ON A FACILITY NOT DESIGNED BY B.D.R. ENG. LTD. IS ONLY SHOWN AS A REPRESENTATION OF WHAT EXISTS AND MUST BE VERIFIED BY THE OWNER.

DESIGN	BY	DATE
DRAWN	BGO	04.08.24
CHK'D	BGO	05.10.19
APP'D.	RLB	05.10.19
L.S.D.	15-10-62-06	W5M



FORT ENERGY CORPORATION		
CORBETT GAS PLANT ELECTRICAL CABLING		
SCALE	DRAWING NUMBER	REV
1 : 500	D-23212-E-01-004	7



NOTES:

1. K-620 & K-630 COMPRESSOR AREA CLASSIFICATION OF CLASS 1, ZONE 2 WAS ESTABLISHED BY A FUGITIVE EMISSIONS STUDY CONDUCTED BY BOB GROSCHOP, P.ENG DATED OCTOBER 17TH, 2004
2. K-650 COMPRESSOR AREA CLASSIFICATION OF CLASS 1, ZONE 2, WAS ESTABLISHED BY A FUGITIVE EMISSIONS STUDY CONDUCTED BY BOB GROSCHOP, P.ENG DATED NOVEMBER 18TH, 2004
3. C-300 AMINE BUILDING AREA CLASSIFICATION OF CLASS 1, ZONE 2 WAS ESTABLISHED BY A FUGITIVE EMISSIONS STUDY CONDUCTED BY BOB GROSCHOP, P.ENG DATED OCTOBER 17TH, 2004
4. K-670 & K-680 COMPRESSOR AREA CLASSIFICATION OF CLASS 1, ZONE 2, WAS ESTABLISHED BY A FUGITIVE EMISSIONS STUDY AND API RP505 CONDUCTED BY BOB GROSCHOP, P.ENG

NO.	REVISION	PROJECT	DSN	DRN	CHK'D	APP'D	DATE
7	POST CONSTRUCTION REVISIONS	43884	BGO	SRM			06.02.14
6	2005 EXPANSION ISSUED FOR CONSTRUCTION	43884	BGO	FC	BGO	RLB	05.10.19
5	2005 EXPANSION ISSUED FOR BID	43884	BGO	FC	BGO		05.09.26
4	2005 EXPANSION ISSUED FOR APPROVAL	43884	BGO	FC	BGO		05.09.06
3	POST CONSTRUCTION REVISIONS	43733	ATB	SM	ATB		05.02.02
2	ISSUED FOR CONSTRUCTION	43733	ATB	FC	ATB	WDS	04.11.01
1	ISSUED FOR FIELD BID	43733	ATB	FC	ATB		04.10.18
0	ISSUED FOR APPROVAL	43733	ATB	FC	ATB		04.10.16

PERMIT STAMP:

STAMP APPLIED TO REV. 6 ONLY

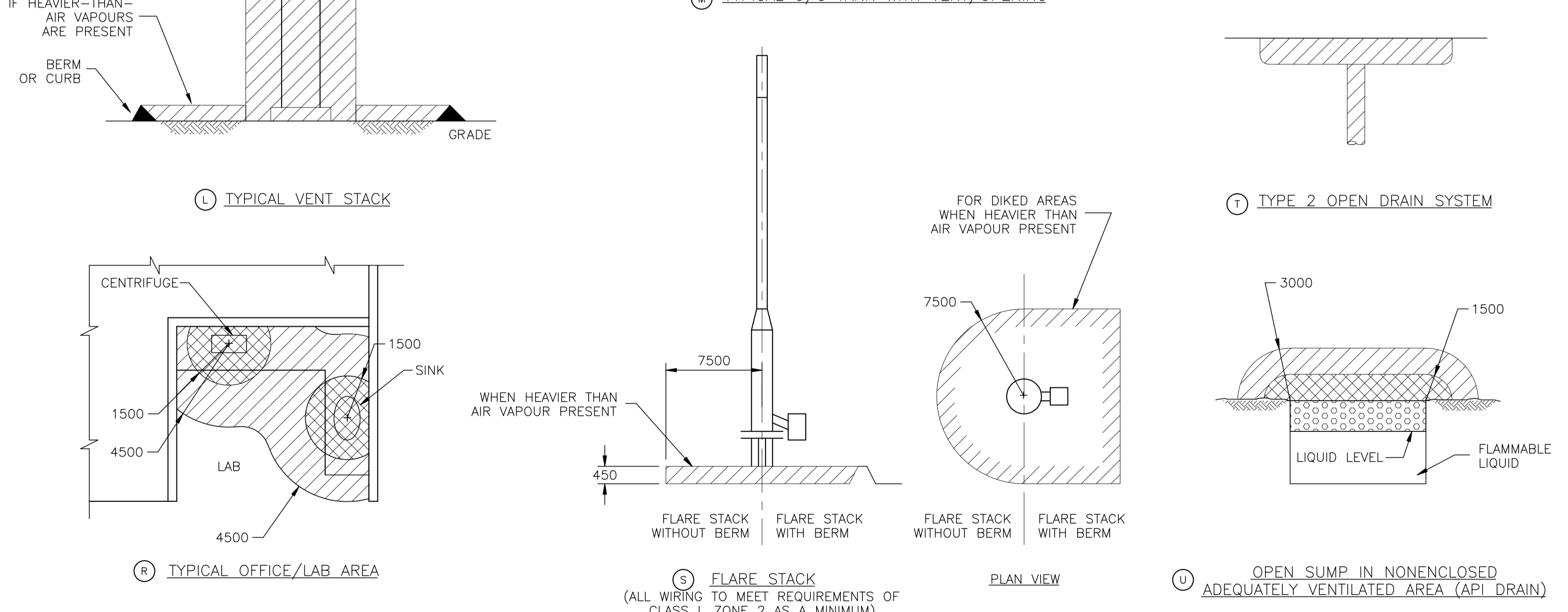
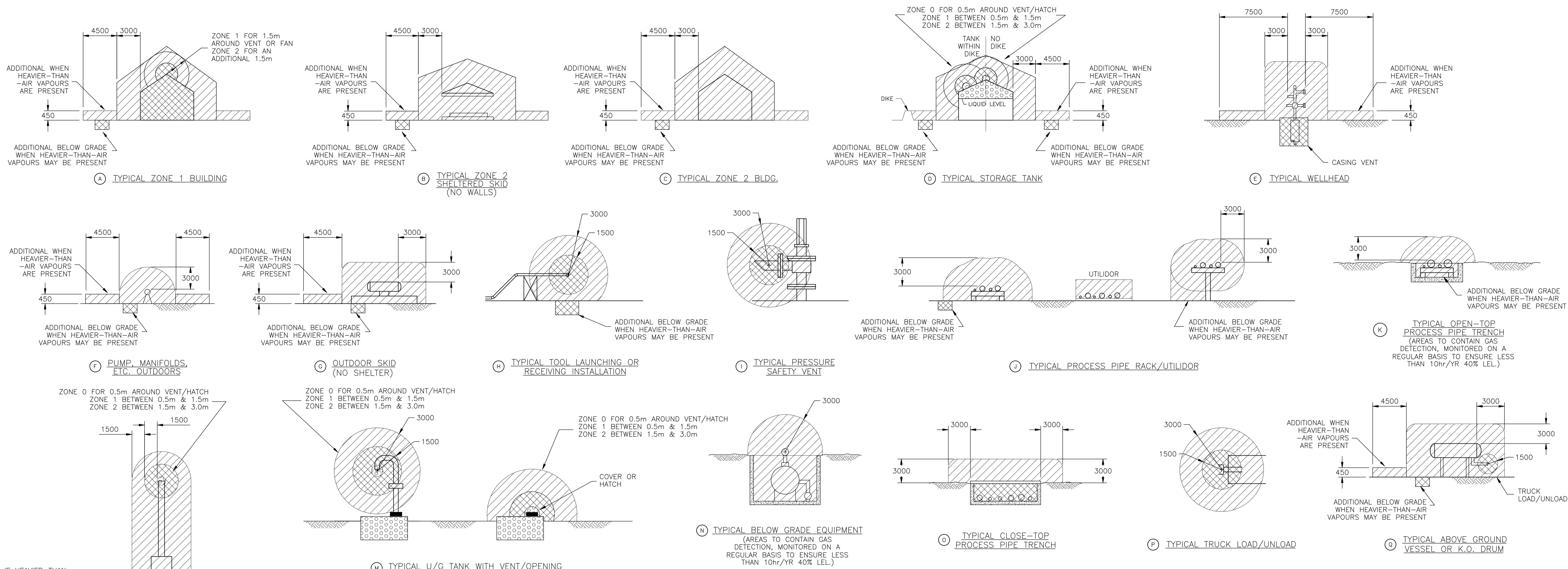
GENERAL NOTES:

1. "POST CONSTRUCTION REVISIONS" ARE GENERATED FROM CONSTRUCTION CHANGE INFORMATION FORWARDED TO BOWER DAMBERGER ROLSETH ENGINEERING LTD. BY THE OWNER'S FIELD SUPERVISORS AND/OR FIELD CONTRACTORS. ANY CHANGES NOT DOCUMENTED WILL NOT APPEAR ON THE DRAWINGS AND THEREFORE THE DRAWING MAY NOT BE AN ACCURATE REPRESENTATION OF THE CONSTRUCTED FACILITY.
2. PRIOR TO THE COMMENCEMENT OF ANY CONSTRUCTION AND/OR EXCAVATION IT SHALL BE THE RESPONSIBILITY OF THE OWNER REPRESENTATIVE TO VERIFY THE LOCATION AND STATUS OF ANY PIPING, ELECTRICAL, EQUIPMENT OR BUILDINGS.
3. ANY REVISIONS MADE TO EXISTING EQUIPMENT, PIPING OR ELECTRICAL ON A FACILITY NOT DESIGNED BY B.D.R. ENG. LTD. IS ONLY SHOWN AS A REPRESENTATION OF WHAT EXISTS AND MUST BE VERIFIED BY THE OWNER.

DESIGN	BY	DATE
DRAWN	ATB	04.10.16
CHK'D	FC	04.10.16
APP'D	BGO	05.10.19
L.S.D.	RLB	05.10.19
L.S.D. 15-10-62-06 W5M		



FORT ENERGY CORPORATION		
CORBETT GAS PLANT AREA CLASSIFICATION		
SCALE	DRAWING NUMBER	REV
1 : 500	D-23212-E-01-011	7



NOTES - GENERAL

- ALL AREA CLASSIFICATIONS DETERMINED USING
 - CEC 2002 EDITION C22.1
 - AB LEGISLATION #AR 151-71,
 - EUB GUIDE 56
 - NFPA 497
 - API 505
 - STANDATA : LATEST ISSUE
 - ALBERTA SAFETY CODES FOR ELECTRICAL INSTALLATIONS AT OIL & GAS FACILITIES 2ND EDITION 2002.
 - ENGINEERING REVIEWED GAS/FLUID ANALYSIS
- TYPICAL DETAILS SHOWN ASSUME EQUIPMENT/AREAS HANDLE OIL AND/OR GAS OR THEIR RELATED PROCESSES.
- REFER TO SITE SPECIFIC NOTES (BELOW) FOR DETAILS ON AREA/CABLE SEALING.
- UTILIDORS ARE ASSUMED TO HAVE SUFFICIENT LEAKAGE AND NATURAL VENTILATION TO BE ADEQUATELY VENTILATED.

NOTES - SITE SPECIFIC

- CLASS I ZONE 2 DESIGNATIONS ARE BASED ON EXPERIENCE FACTORS AND APPLICATION OF GAS DETECTION IN ACCORDANCE WITH API RP 505 AND NFPA 497. THIS DESIGNATION ASSUMES GOOD MAINTENANCE PRACTICES WHICH MITIGATE AGAINST POTENTIAL HYDROCARBON RELEASE EVENTS.
- SKIDS ARE ENCLOSED, GAS PROCESS WITH NO DIKES. USE DETAIL A & C ABOVE.
- W.P. STYLE TECK CONNECTORS ONLY REQUIRED AS PER STANDATA CEC-18 (REV 2) RULE 18-150.
- ALL PROCESS END DEVICES NOT MARKED AS 'FACTORY SEALED' REQUIRE DEVICE SEALS.
- AREA CLASSIFICATION STUDY WAS PERFORMED FOR K-620, K-630, K-650, K-670, K-680 COMPRESSOR BUILDINGS, & C-300 AMINE BUILDING.

AREA CLASSIFICATION LEGEND

	CLASS I, ZONE 0 GROUP D		CLASS I, ZONE 2 GROUP D
	CLASS I, ZONE 1 GROUP D		CLASS I, ZONE 2 GROUP D 450mm ABOVE GRADE (WHEN HEAVIER THAN AIR VAPOUR IS PRESENT)
	MINIMUM EXTENT OF VEHICLE ENTRY; PERMIT REQUIRED		

SITE PROCESS DETAIL:

- MEDIUM : GAS ENTRAINED WITH WATER
- GAS/VAPOUR DETAIL : LIGHT/SWEET

NO.	REVISION	PROJECT	DSN	DRN	CHK'D	APP'D	DATE
2	REVISED - ISSUED FOR INFORMATION	43884	BGO	FC	BGO		05.09.26
1	ISSUED FOR INFORMATION	43884	BGO	FC	BGO		05.09.06
0	ISSUED FOR INFORMATION	43733	ATB	FC	ATB		04.09.29

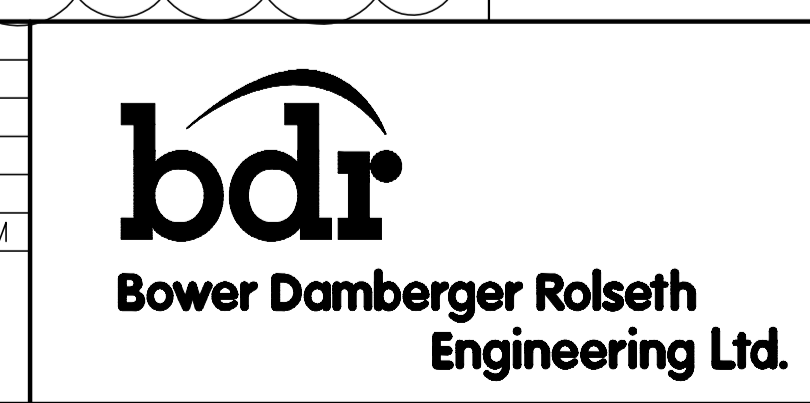
PERMIT STAMP:

BOWER DAMBERGER ROLSETH ENGINEERING LTD.
OCT 19 2005
ISSUED FOR INFORMATION ONLY

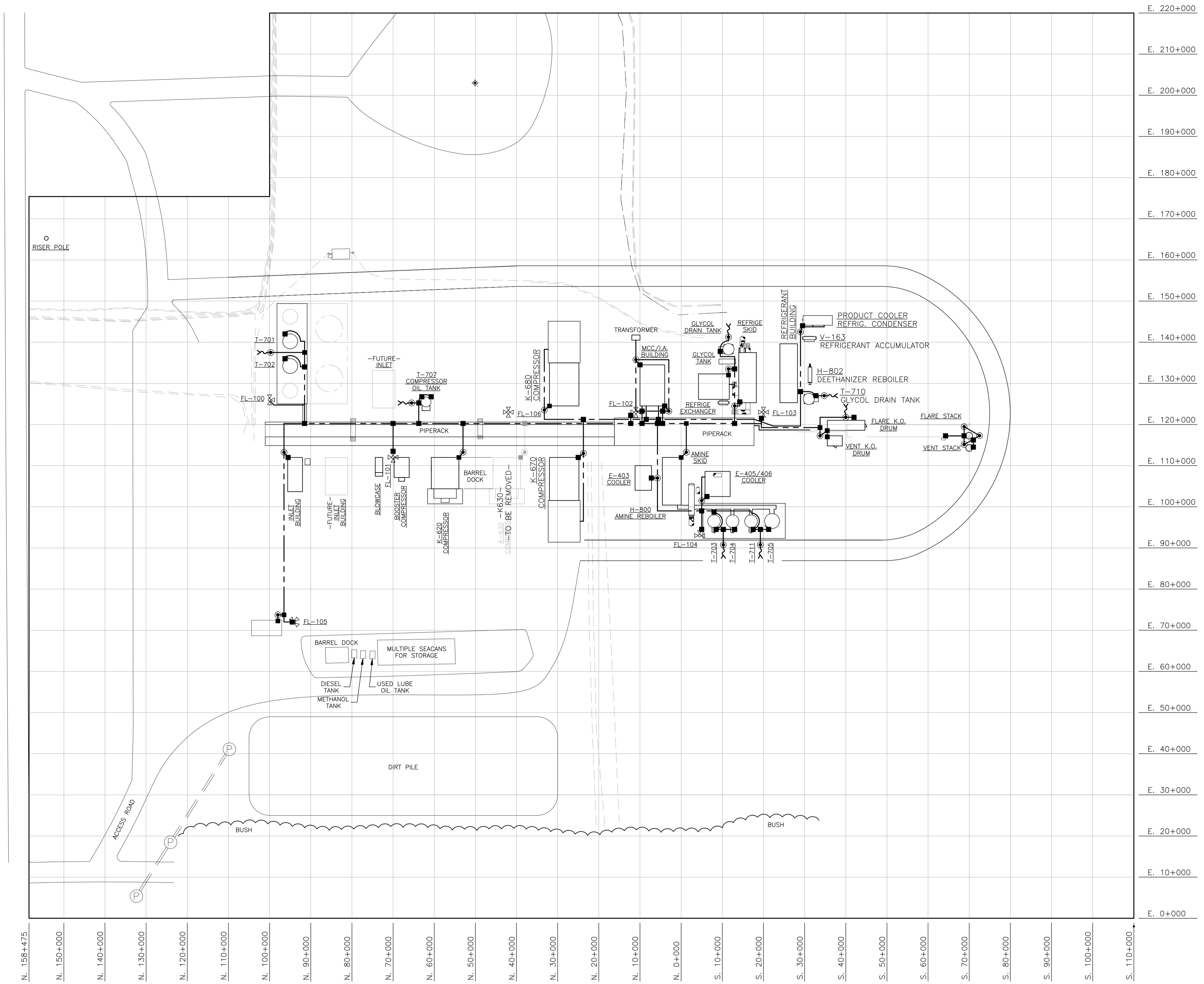
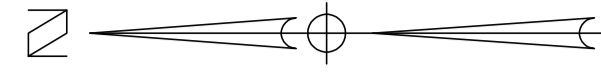
GENERAL NOTES:

- "POST CONSTRUCTION DRAWINGS" ARE GENERATED FROM CONSTRUCTION CHANGE INFORMATION FORWARDED TO BOWER DAMBERGER ROLSETH ENGINEERING LTD. BY THE OWNER'S FIELD SUPERVISORS AND/OR FIELD CONTRACTORS. ANY CHANGES NOT DOCUMENTED WILL NOT APPEAR ON THE DRAWINGS AND THEREFORE THE DRAWING MAY NOT BE AN ACCURATE REPRESENTATION OF THE CONSTRUCTED FACILITY.
- PRIOR TO THE COMMENCEMENT OF ANY CONSTRUCTION AND/OR EXCAVATION IT SHALL BE THE RESPONSIBILITY OF THE OWNER'S REPRESENTATIVE TO VERIFY THE LOCATION AND STATUS OF ANY PIPING, ELECTRICAL, EQUIPMENT OR BUILDINGS.
- ANY REVISIONS MADE TO EXISTING EQUIPMENT, PIPING OR ELECTRICAL ON A FACILITY NOT DESIGNED BY B.D.R. ENG. LTD. IS ONLY SHOWN AS A REPRESENTATION OF WHAT EXISTS AND MUST BE VERIFIED BY THE OWNER.

DESIGN	BY	DATE
DRAWN	ATB	04.09.29
CHK'D	FC	04.09.29
APP'D.		
L.S.D.	15-10-62-06	W5M



FORT ENERGY CORPORATION		
CORBETT GAS PLANT AREA CLASSIFICATION DETAILS		
SCALE	DRAWING NUMBER	REV
N/A	D-23212-E-01-012	2



- NOTES:**
1. MAIN GROUND GRID TO BE #2/0 TWH GREEN.
 2. ALL TAPS TO BUILDINGS AND EQUIPMENT TO BE #2 TWH, GREEN WITH ALL SPLICES MADE BY APPROVED BURNDY CRIMP TYPE CONNECTORS. TAPED AND SPRAYED WITH GLYPTOL.
 3. GROUND TAPS TO BUILDINGS SHALL CONSIST OF BOTH A WALL (SHELL) AND A SKID GROUND.
 4. ALL UNDERGROUND TANKS (-) SHALL BE GROUNDED WITH A #2 TWH GREEN TAP TO MAIN GROUND GRID UNLESS TANK IS CATHODICALLY PROTECTED c/w ISOLATING BUSHINGS.
 5. REFER TO INDIVIDUAL SKID DRAWINGS FOR GROUND ROD/WELL LOCATION AND DETAILED GROUNDING.
 6. ALL TRUCK LOADING/UNLOADING (-) LINES TO HAVE A TRUCK GROUNDING STATION #4 WELDING CABLE c/w CLAMP & STAND.
 7. YARDLIGHTS TO BE 9.0m PAINTED (BLACK) HINGED POLE c/w WINCH, 400W HPS 120VAC FIXTURES, AND BRACKET, AS REQUIRED.
 8. ALL TRUCK SUCKOUT LINES ARE TO BE BONDED TO THE GRID USING PROPER CLAMPS.

NO.	REVISION	PROJECT	DSN	DRN	CHK'D	APP'D	DATE
7	POST CONSTRUCTION REVISIONS	43884	BGO	SRM			06.02.14
6	2005 EXPANSION ISSUED FOR CONSTRUCTION	43884	BGO	FC	BGO	RLB	05.10.19
5	2005 EXPANSION ISSUED FOR BID	43884	BGO	FC	BGO		05.09.26
4	2005 EXPANSION ISSUED FOR APPROVAL	43884	BGO	FC	BGO		05.09.06
3	POST CONSTRUCTION REVISIONS	43733	ATB	SM	ATB		05.02.02
2	ISSUED FOR CONSTRUCTION	43733	ATB	FC	ATB	WDS	04.11.01
1	ISSUED FOR FIELD BID	43733	ATB	FC	ATB		04.10.18
0	ISSUED FOR APPROVAL	43733	ATB	FC	ATB		04.10.16

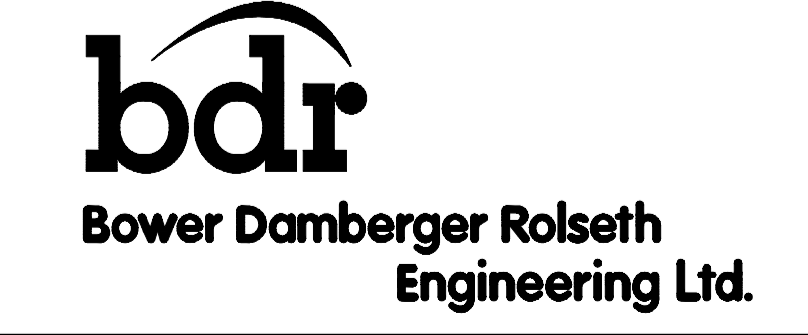
PERMIT STAMP:

STAMP APPLIED TO REV. 6 ONLY

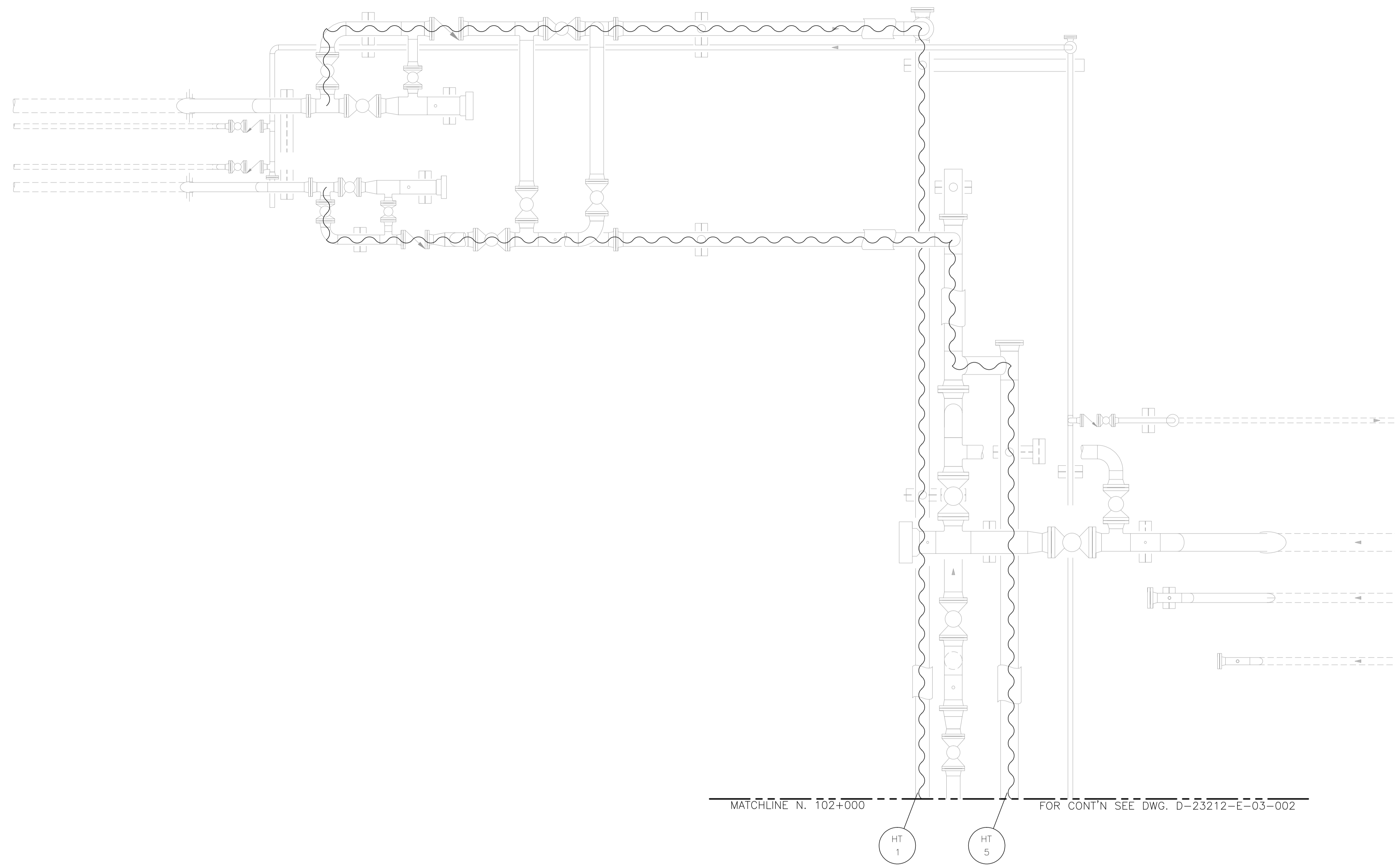
GENERAL NOTES:

1. "POST CONSTRUCTION DRAWINGS" ARE GENERATED FROM CONSTRUCTION CHANGE INFORMATION FORWARDED TO BOWER DAMBERGER ROLSETH ENGINEERING LTD. BY THE OWNER'S FIELD SUPERVISOR AND/OR PROJECT CONTRACTORS. ANY CHANGES NOT DOCUMENTED WILL NOT APPEAR ON THE DRAWINGS AND THEREFORE THE DRAWING MAY NOT BE AN ACCURATE REPRESENTATION OF THE CONSTRUCTED FACILITY.
2. PRIOR TO THE COMMENCEMENT OF ANY CONSTRUCTION AND/OR EXCAVATION IT SHALL BE THE RESPONSIBILITY OF THE OWNER'S REPRESENTATIVE TO VERIFY THE LOCATION AND STATUS OF ANY PIPING, ELECTRICAL, EQUIPMENT OR BUILDINGS.
3. ANY REVISIONS MADE TO EXISTING EQUIPMENT, PIPING OR ELECTRICAL ON A FACILITY NOT DESIGNED BY B.D.R. ENG. LTD. IS ONLY SHOWN AS A REPRESENTATION OF WHAT EXISTS AND MUST BE VERIFIED BY THE OWNER.

DESIGN	BY	DATE
DRAWN	ATB	04.10.16
CHK'D	FC	04.10.16
APP'D	BGO	05.10.19
L.S.D.	RLB	05.10.19
		15-10-62-06 W5M



FORT ENERGY CORPORATION		
CORBETT GAS PLANT GROUNDING PLAN		
SCALE	DRAWING NUMBER	REV
1 : 500	D-23212-E-02-001	7



NOTES:

1. LAYOUT SHOWN ARE CONCEPTUAL ONLY. ACTUAL FIELD CONDITIONS WILL DICTATE FINAL ROUTINGS.
2. SEE DRAWING E-09-002 FOR HEAT TRACING SCHEDULE.

NO.	REVISION	PROJ. No.	BY	DATE	CHK.	DATE
3	POST CONSTRUCTION REVISIONS	43733	SM	05.02.02	ATB	05.02.02
2	ISSUED FOR CONSTRUCTION	43733	FC	04.10.27	ATB	04.11.01
1	ISSUED FOR FIELD BID	43733	FC	04.10.15	ATB	04.10.15
0	ISSUED FOR APPROVAL	43733	PC	04.10.08	ATB	04.10.08

PERMIT STAMP:	STAMP APPLIED TO REV. 2 ONLY

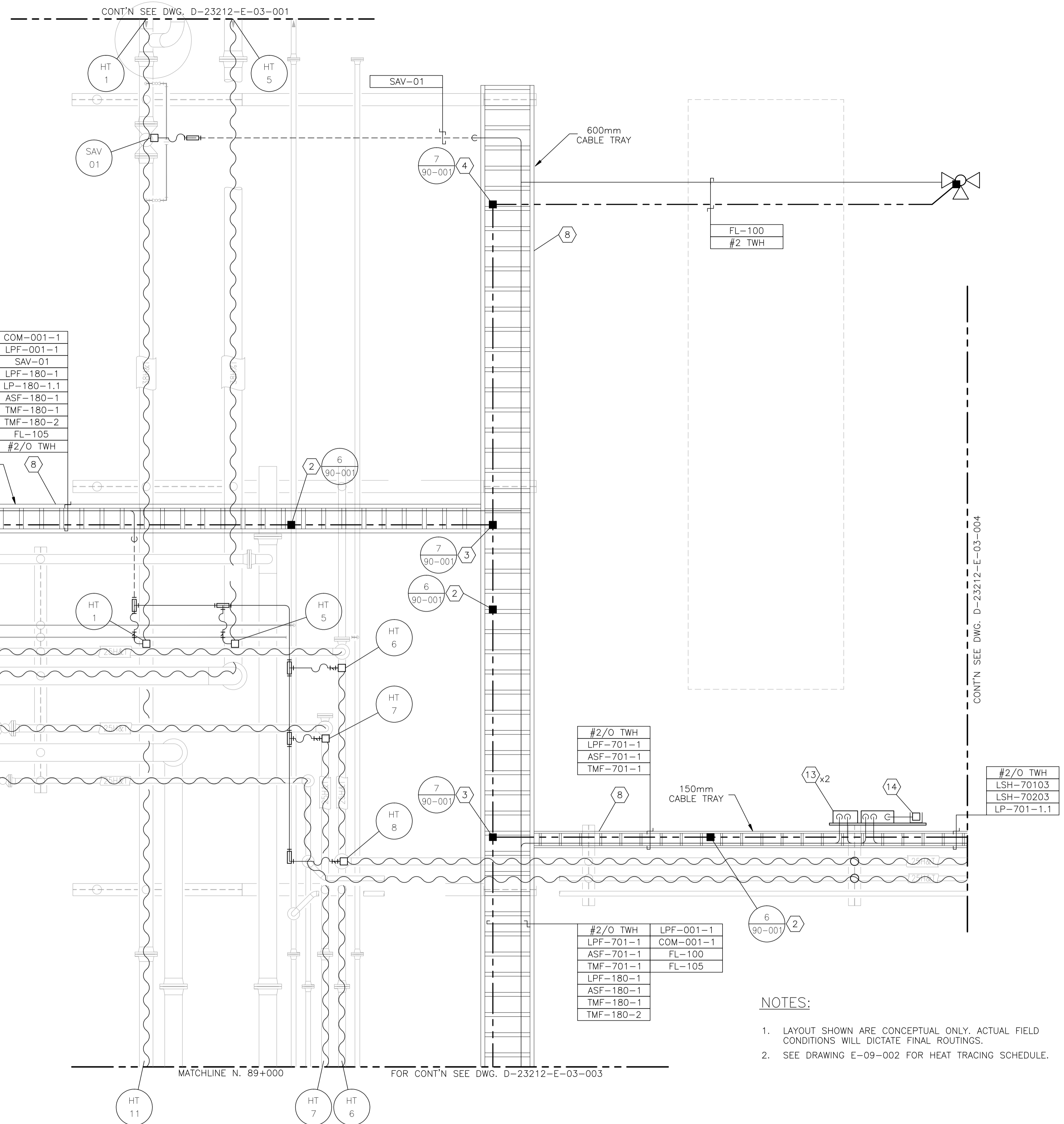
GENERAL NOTES:

1. "POST CONSTRUCTION DRAWINGS" ARE GENERATED FROM CONSTRUCTION CHANGE INFORMATION FORWARDED TO BOWER DAMBERGER ROLSETH ENGINEERING LTD. BY THE OWNER'S FIELD SUPERVISORS AND/OR FIELD CONTRACTORS. ANY CHANGES NOT DOCUMENTED WILL NOT APPEAR ON THE DRAWINGS AND THEREFORE THE DRAWING MAY NOT BE AN ACCURATE REPRESENTATION OF THE CONSTRUCTED FACILITY.
2. PRIOR TO THE COMMENCEMENT OF ANY CONSTRUCTION AND/OR EXCAVATION IT SHALL BE THE RESPONSIBILITY OF THE OWNER'S REPRESENTATIVE TO VERIFY THE LOCATION AND STATUS OF ANY PIPING, ELECTRICAL, EQUIPMENT OR BUILDINGS.
3. ANY REVISIONS MADE TO EXISTING EQUIPMENT, PIPING OR ELECTRICAL ON A FACILITY NOT DESIGNED BY B.D.R. ENG. LTD. IS ONLY SHOWN AS A REPRESENTATION OF WHAT EXISTS AND MUST BE VERIFIED BY THE OWNER.

DRN.	BY	DATE
CHK.	PC	04.10.08
APP'D.		
L.S.D.	15-10-62-06 WSM	



FORT ENERGY CORPORATION		
CORBETT GAS PLANT PIG TRAP AREA ELECTRICAL LAYOUT		
SCALE	DRAWING NUMBER	REV
1 : 30	D-23212-E-03-001	3



INLET SEPARATOR BUILDING
3600 x 8300
FOR ELECTRICAL LAYOUT
SEE DWG. D-23212-E-11-001

COM-001-1
LPF-001-1
SAV-01
LPF-180-1
LP-180-1.1
ASF-180-1
TMF-180-1
TMF-180-2
FL-105
#2/O TWH

LPF-001-1
COM-001-1
FL-105
#2/O TWH

#2/O TWH
LPF-701-1
ASF-701-1
TMF-701-1

#2/O TWH
LSH-70103
LSH-70203
LP-701-1.1

#2/O TWH	LPF-001-1
LPF-701-1	COM-001-1
ASF-701-1	FL-100
TMF-701-1	FL-105
LPF-180-1	
ASF-180-1	
TMF-180-1	
TMF-180-2	

BILL OF MATERIALS

- 300mm x 75mm COPPER CLUB GROUND RODS c/w - GROUND WELL; - INSPECTION COVER; - GROUND ROD (#2/0).
- #2/0 CABLE TRAY BONDING CONNECTOR.
- #2/0-#2/0 C-TAP SPLICE, INSTALLED c/w TAPE AND GLYPTOL SPRAY.
- #2/0-#2 C-TAP SPLICE, INSTALLED c/w TAPE AND GLYPTOL SPRAY.
- GROUNDING SERVITTE POST - #2/0.
- BUILDING BONDING PLATE c/w #2 CRIMPLUG.
- TRUCK GROUNDING CLAMP.
- CABLE TRAY - ALUMINUM CLASS E w/ 150mm SIDE WALL LADDLED SIZED AS PER DRAWING. INSTALL AS PER MAIN SPECIFICATIONS. TIE DOWN UTILIZING SLIDER TYPE TRAY CLAMPS.
- T&B 390x BU BRASS PIPE GROUNDING CLAMP OR EQUIVALENT. (x - THE LAST NUMBER REPRESENTS PIPE SIZE.)
- INSTRUMENT TRAY.
-
- CROUSE HINDS CEAG #GHG432KLM005GT551211/2511 ESD PUSHBUTTON c/w RED SHROUD AND MIN. 4" x 6" ESD WARNING LAMICOID. CLASS I, ZONE 1, EXPLOSION PROOF.
- NEMA 4 STEEL ENCLOSURE SIZED AS PER DRAWING c/w BACK PAN, TERMINAL BLOCKS AND MOUNTING HARDWARE.
- CROUSE HINDS CEAG #GHG432KLM005GT551211/2511 ESD PUSHBUTTON c/w RED SHROUD AND MIN. 4" x 6" ESD WARNING LAMICOID. CLASS I, ZONE 1, EXPLOSION PROOF.

- NOTES:**
- LAYOUT SHOWN ARE CONCEPTUAL ONLY. ACTUAL FIELD CONDITIONS WILL DICTATE FINAL ROUTINGS.
 - SEE DRAWING E-09-002 FOR HEAT TRACING SCHEDULE.

NO.	REVISION	PROJ. No.	BY	DATE	CHK.	DATE
3	POST CONSTRUCTION REVISIONS	43733	SM	05.02.02	ATB	05.02.02
2	ISSUED FOR CONSTRUCTION	43733	FC	04.10.27	ATB	04.11.01
1	ISSUED FOR FIELD BID	43733	FC	04.10.15	ATB	04.10.15
0	ISSUED FOR APPROVAL	43733	PC	04.10.08	ATB	04.10.08

PERMIT STAMP:	STAMP APPLIED TO REV. 2 ONLY
----------------------	------------------------------

GENERAL NOTES:		
1. "POST CONSTRUCTION DRAWINGS" ARE GENERATED FROM CONSTRUCTION CHANGE INFORMATION FORWARDED TO BOWER DAMBERGER ROLSETH ENGINEERING LTD. BY THE OWNER'S FIELD SUPERVISORS AND/OR FIELD CONTRACTORS. ANY CHANGES NOT DOCUMENTED WILL NOT APPEAR ON THE DRAWINGS AND THEREFORE THE DRAWING MAY NOT BE AN ACCURATE REPRESENTATION OF THE CONSTRUCTED FACILITY.		
2. PRIOR TO THE COMMENCEMENT OF ANY CONSTRUCTION AND/OR EXCAVATION IT SHALL BE THE RESPONSIBILITY OF THE OWNER'S REPRESENTATIVE TO VERIFY THE LOCATION AND STATUS OF ANY PIPING, ELECTRICAL, EQUIPMENT OR BUILDINGS.		
3. ANY REVISIONS MADE TO EXISTING EQUIPMENT, PIPING OR ELECTRICAL ON A FACILITY NOT DESIGNED BY B.D.R. ENG. LTD. IS ONLY SHOWN AS A REPRESENTATION OF WHAT EXISTS AND MUST BE VERIFIED BY THE OWNER.		
DRN.	BY	DATE
CHK.	PC	04.09.14
APP'D.		
L.S.D.	15-10-62-06 WSM	

Bower Damberger Rolseth Engineering Ltd.

FORT ENERGY CORPORATION		
CORBETT GAS PLANT INLET BUILDING ELECTRICAL LAYOUT		
SCALE	DRAWING NUMBER	REV
1 : 30	D-23212-E-03-002	3

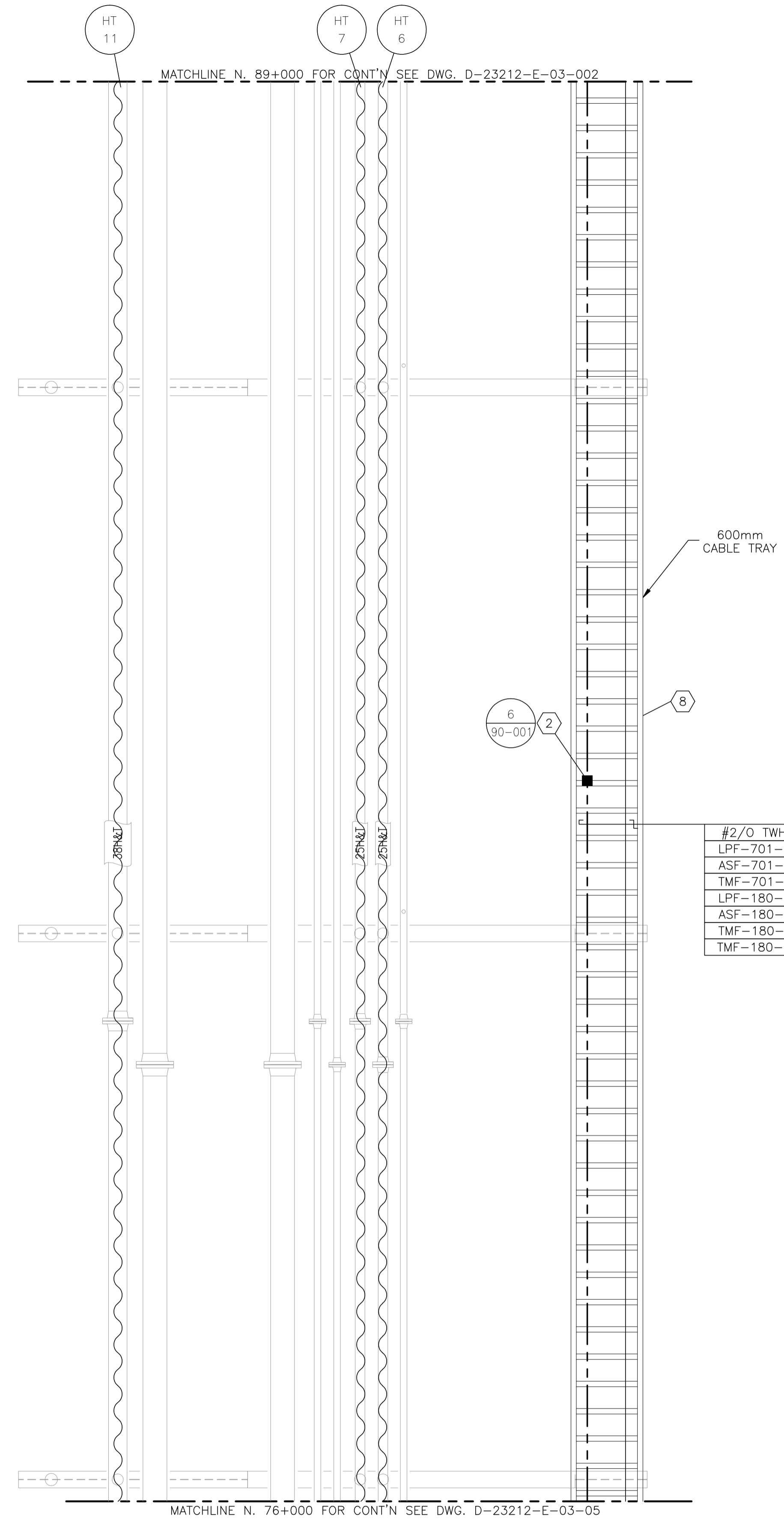


BILL OF MATERIALS

1. 300mm x 75mm COPPER CLUB GROUND RODS c/w
 - GROUND WELL;
 - INSPECTION COVER;
 - GROUND ROD (#2/0).
2. #2/0 CABLE TRAY BONDING CONNECTOR.
3. #2/0-#2/0 C-TAP SPLICE, INSTALLED c/w TAPE AND GLYPTOL SPRAY.
4. #2/0-#2 C-TAP SPLICE, INSTALLED c/w TAPE AND GLYPTOL SPRAY.
5. GROUNDING SERVITTE POST - #2/0.
6. BUILDING BONDING PLATE c/w #2 CRIMPLUG.
7. TRUCK GROUNDING CLAMP.
8. CABLE TRAY - ALUMINUM CLASS E w/ 150mm SIDE WALL LADDED SIZED AS PER DRAWING. INSTALL AS PER MAIN SPECIFICATIONS. TIE DOWN UTILIZING SLIDER TYPE TRAY CLAMPS.
9. T&B 390x BU BRASS PIPE GROUNDING CLAMP OR EQUIVALENT. (x - THE LAST NUMBER REPRESENTS PIPE SIZE.)
10. INSTRUMENT TRAY
11. -
12. CROUSE HINDS CEAG #GHG432KLM00SGT551211/2511 ESD PUSHBUTTON c/w RED SHROUD AND MIN. 4" x 6" ESD WARNING LAMICOID. CLASS I, ZONE 1, EXPLOSION PROOF.
13. NEMA 4 STEEL ENCLOSURE SIZED AS PER DRAWING c/w BACK PAN, TERMINAL BLOCKS AND MOUNTING HARDWARE.

NOTES:

1. LAYOUT SHOWN ARE CONCEPTUAL ONLY. ACTUAL FIELD CONDITIONS WILL DICTATE FINAL ROUTINGS.
2. SEE DRAWING E-09-002 FOR HEAT TRACING SCHEDULE.



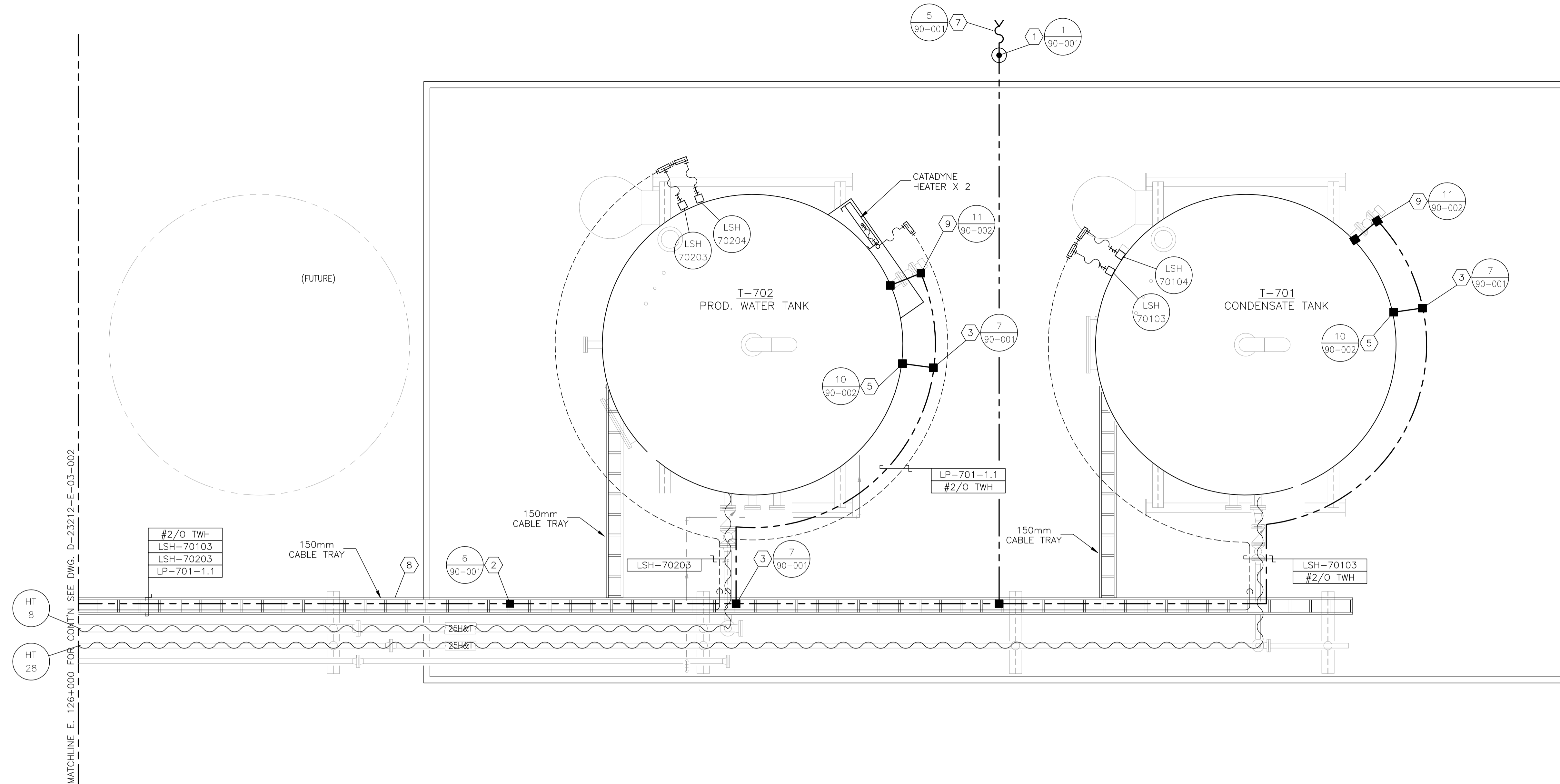
NO.	REVISION	PROJ. No.	BY	DATE	CHK.	DATE
3	POST CONSTRUCTION REVISIONS	43733	SM	05.02.02	ATB	05.02.02
2	ISSUED FOR CONSTRUCTION	43733	FC	04.10.27	ATB	04.11.01
1	ISSUED FOR FIELD BID	43733	FC	04.10.15	ATB	04.10.15
0	ISSUED FOR APPROVAL	43733	PC	04.09.14	ATB	04.09.14

PERMIT STAMP:	STAMP APPLIED TO REV. 2 ONLY
----------------------	------------------------------

GENERAL NOTES:		
1. "POST CONSTRUCTION DRAWINGS" ARE GENERATED FROM CONSTRUCTION CHANGE INFORMATION FORWARDED TO BOWER DAMBERGER ROLSETH ENGINEERING LTD. BY THE OWNER'S FIELD SUPERVISORS AND/OR MISC CONTRACTORS. ANY CHANGES NOT DOCUMENTED WILL NOT APPEAR ON THE DRAWINGS AND THEREFORE THE DRAWING MAY NOT BE AN ACCURATE REPRESENTATION OF THE CONSTRUCTED FACILITY.		
2. PRIOR TO THE COMMENCEMENT OF ANY CONSTRUCTION AND/OR EXCAVATION IT SHALL BE THE RESPONSIBILITY OF THE OWNERS REPRESENTATIVE TO VERIFY THE LOCATION AND STATUS OF ANY PIPING, ELECTRICAL EQUIPMENT OR BUILDINGS.		
3. ANY REVISIONS MADE TO EXISTING EQUIPMENT, PIPING OR ELECTRICAL ON A FACILITY NOT DESIGNED BY B.D.R. ENG. LTD. IS ONLY SHOWN AS A REPRESENTATION OF WHAT EXISTS AND MUST BE VERIFIED BY THE OWNER.		
DRN.	BY	DATE
CHK.	PC	04.09.14
APP'D.		
L.S.D.	15-10-62-06 WSM	



FORT ENERGY CORPORATION		
CORBETT GAS PLANT FUTURE INLET SKID AREA ELECTRICAL LAYOUT		
SCALE	DRAWING NUMBER	REV
1 : 30	D-23212-E-03-003	3



BILL OF MATERIALS

1. 300mm x 75mm COPPER CLUB GROUND RODS c/w
- GROUND WELL;
- INSPECTION COVER;
- GROUND ROD (#2/0).
2. #2/0 CABLE TRAY BONDING CONNECTOR.
3. #2/0-#2/0 C-TAP SPLICE, INSTALLED c/w TAPE AND GLYPTOL SPRAY.
4. #2/0-#2 C-TAP SPLICE, INSTALLED c/w TAPE AND GLYPTOL SPRAY.
5. GROUNDING SERVITTE POST - #2/0.
6. BUILDING BONDING PLATE c/w #2 CRIMPLUG.
7. TRUCK GROUNDING CLAMP.
8. CABLE TRAY - ALUMINUM CLASS E w/ 150mm SIDE WALL LADDED SIZED AS PER DRAWING. INSTALL AS PER MAIN SPECIFICATIONS. TIE DOWN UTILIZING SLIDER TYPE TRAY CLAMPS.
9. T&B 390x BU BRASS PIPE GROUNDING CLAMP OR EQUIVALENT. (x - THE LAST NUMBER REPRESENTS PIPE SIZE.)
10. INSTRUMENT TRAY
11. -
12. CROUSE HINDS CEAG #GHG432KLM00SGT551211/2511 ESD PUSHBUTTON c/w RED SHROUD AND MIN. 4" x 6" ESD WARNING LAMICOID. CLASS I, ZONE 1, EXPLOSION PROOF.
13. NEMA 4 STEEL ENCLOSURE SIZED AS PER DRAWING c/w BACK PAN, TERMINAL BLOCKS AND MOUNTING HARDWARE.

NOTES:

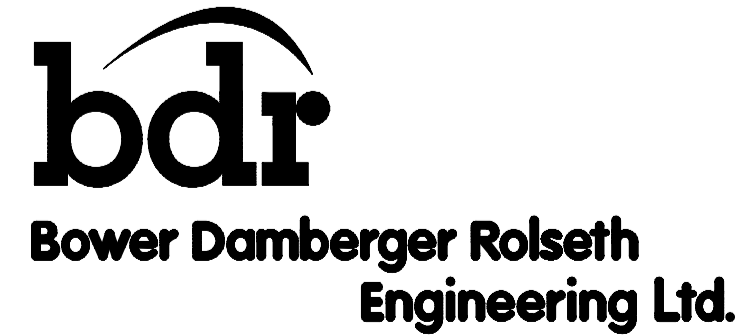
1. LAYOUT SHOWN ARE CONCEPTUAL ONLY. ACTUAL FIELD CONDITIONS WILL DICTATE FINAL ROUTINGS.
2. SEE DRAWING E-09-002 FOR HEAT TRACING SCHEDULE.

NO.	REVISION	PROJ. No.	BY	DATE	CHK.	DATE
3	POST CONSTRUCTION REVISIONS	43733	SM	05.02.02	ATB	05.02.02
2	ISSUED FOR CONSTRUCTION	43733	FC	04.10.27	ATB	04.11.01
1	ISSUED FOR FIELD BID	43733	FC	04.10.15	ATB	04.10.15
0	ISSUED FOR APPROVAL	43733	PC	04.09.14	ATB	04.09.14

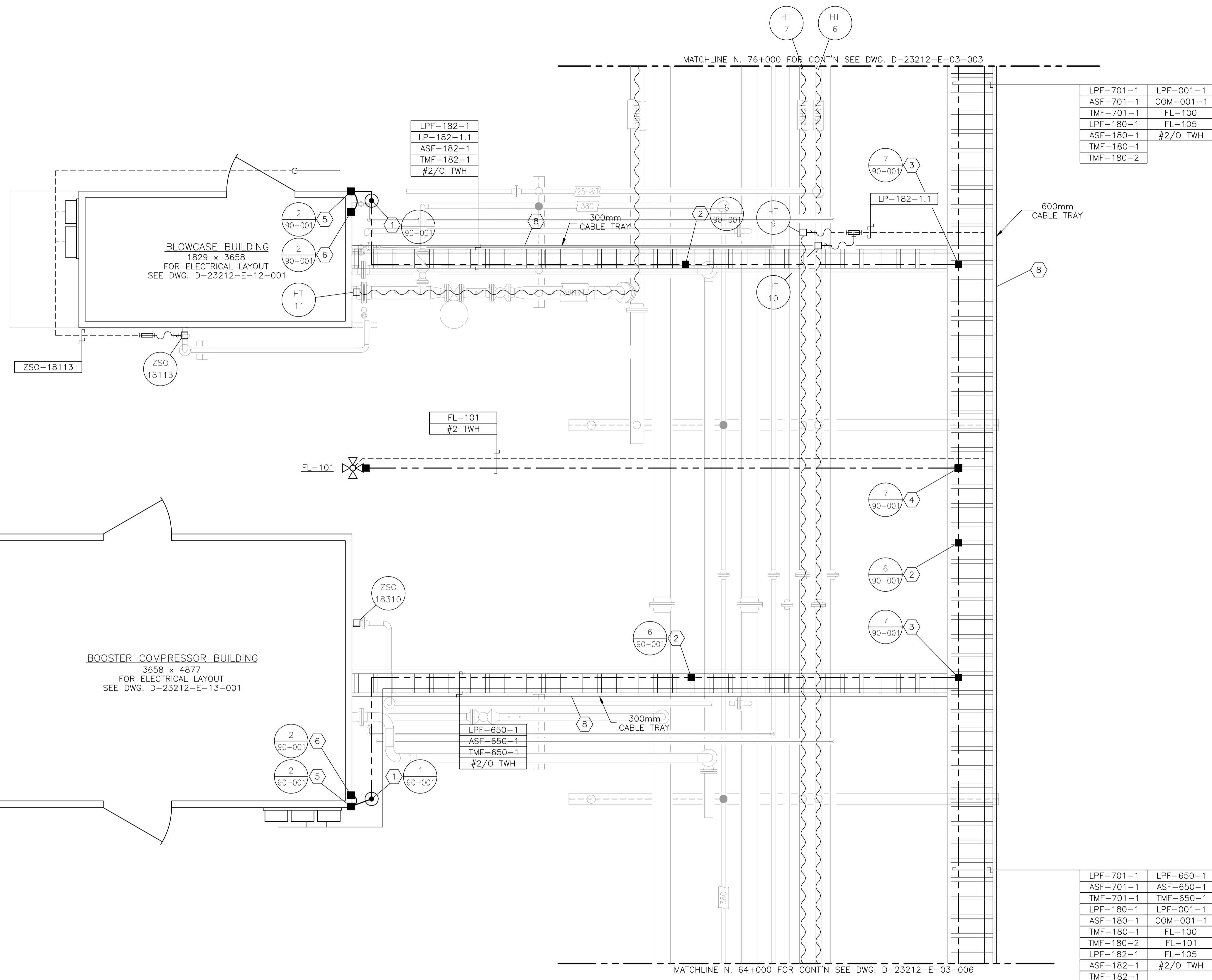
PERMIT STAMP:	STAMP APPLIED TO REV. 2 ONLY
----------------------	------------------------------

GENERAL NOTES:
1. "POST CONSTRUCTION DRAWINGS" ARE GENERATED FROM CONSTRUCTION CHANGE INFORMATION FORWARDED TO BOWER DAMBERGER ROLSETH ENGINEERING LTD. BY THE OWNER'S FIELD SUPERVISORS AND/OR BIDDING CONTRACTORS. ANY CHANGES NOT DOCUMENTED WILL NOT APPEAR ON THE DRAWINGS AND THEREFORE THE DRAWING MAY NOT BE AN ACCURATE REPRESENTATION OF THE CONSTRUCTED FACILITY.
2. PRIOR TO THE COMMENCEMENT OF ANY CONSTRUCTION AND/OR EXCAVATION IT SHALL BE THE RESPONSIBILITY OF THE OWNERS REPRESENTATIVE TO VERIFY THE LOCATION AND STATUS OF ANY PIPING, ELECTRICAL EQUIPMENT OR BUILDINGS.
3. ANY REVISIONS MADE TO EXISTING EQUIPMENT, PIPING OR ELECTRICAL ON A FACILITY NOT DESIGNED BY B.D.R. ENG. LTD. IS ONLY SHOWN AS A REPRESENTATION OF WHAT EXISTS AND MUST BE VERIFIED BY THE OWNER.

DRN.	BY	DATE
CHK.	PC	04.09.14
APP'D.		04.11.02
L.S.D.		15-10-62-06 WSM



FORT ENERGY CORPORATION		
CORBETT GAS PLANT		
T-701/T-702 AREA ELECTRICAL LAYOUT		
SCALE	DRAWING NUMBER	REV
1 : 30	D-23212-E-03-004	3



BILL OF MATERIALS

1. 300mm x 75mm COPPER CLUB GROUND RODS c/w
- GROUND WELL;
- INSPECTION COVER;
- GROUND ROD (#2/0).
2. #2/0 CABLE TRAY BONDING CONNECTOR.
3. #2/0-#2/0 C-TAP SPLICE, INSTALLED c/w TAPE AND GLYPTOL SPRAY.
4. #2/0-#2 C-TAP SPLICE, INSTALLED c/w TAPE AND GLYPTOL SPRAY.
5. GROUNDING SERVITTE POST - #2/0.
6. BUILDING BONDING PLATE c/w #2 CRIMPLUG.
7. TRUCK GROUNDING CLAMP.
8. CABLE TRAY - ALUMINUM CLASS E w/ 150mm SIDE WALL LADDED SIZED AS PER DRAWING. INSTALL AS PER MAIN SPECIFICATIONS. TIE DOWN UTILIZING SLIDER TYPE TRAY CLAMPS.
9. T&B 390x BU BRASS PIPE GROUNDING CLAMP OR EQUIVALENT. (x - THE LAST NUMBER REPRESENTS PIPE SIZE.)
10. INSTRUMENT TRAY
11. -
12. CROUSE HINDS CEAG #GHG432KLM00SGT551211/2511 ESD PUSHBUTTON c/w RED SHROUD AND MIN. 4" x 6" ESD WARNING LAMICOID. CLASS 1, ZONE 1, EXPLOSION PROOF.
13. NEMA 4 STEEL ENCLOSURE SIZED AS PER DRAWING c/w BACK PAN, TERMINAL BLOCKS AND MOUNTING HARDWARE.

NOTES:

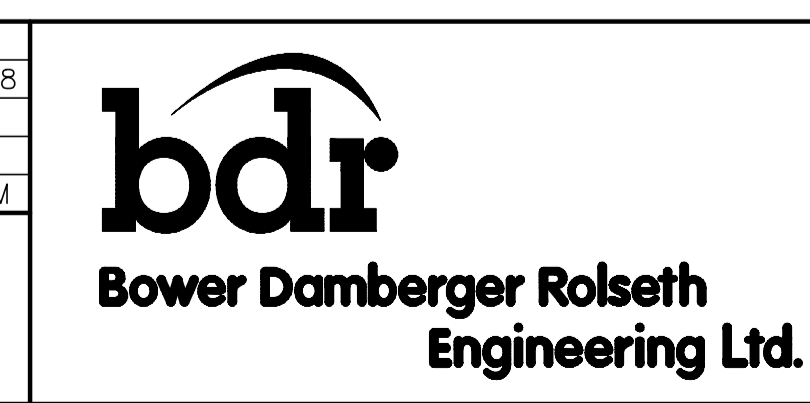
1. LAYOUT SHOWN ARE CONCEPTUAL ONLY. ACTUAL FIELD CONDITIONS WILL DICTATE FINAL ROUTINGS.
2. SEE DRAWING E-09-002 FOR HEAT TRACING SCHEDULE.

NO.	REVISION	PROJ. No.	BY	DATE	CHK.	DATE
3	POST CONSTRUCTION REVISIONS	43733	SM	05.02.02	ATB	05.02.02
2	ISSUED FOR CONSTRUCTION	43733	FC	04.10.27	ATB	04.11.01
1	ISSUED FOR FIELD BID	43733	FC	04.10.15	ATB	04.10.15
0	ISSUED FOR APPROVAL	43733	PC	04.10.08	ATB	04.10.08

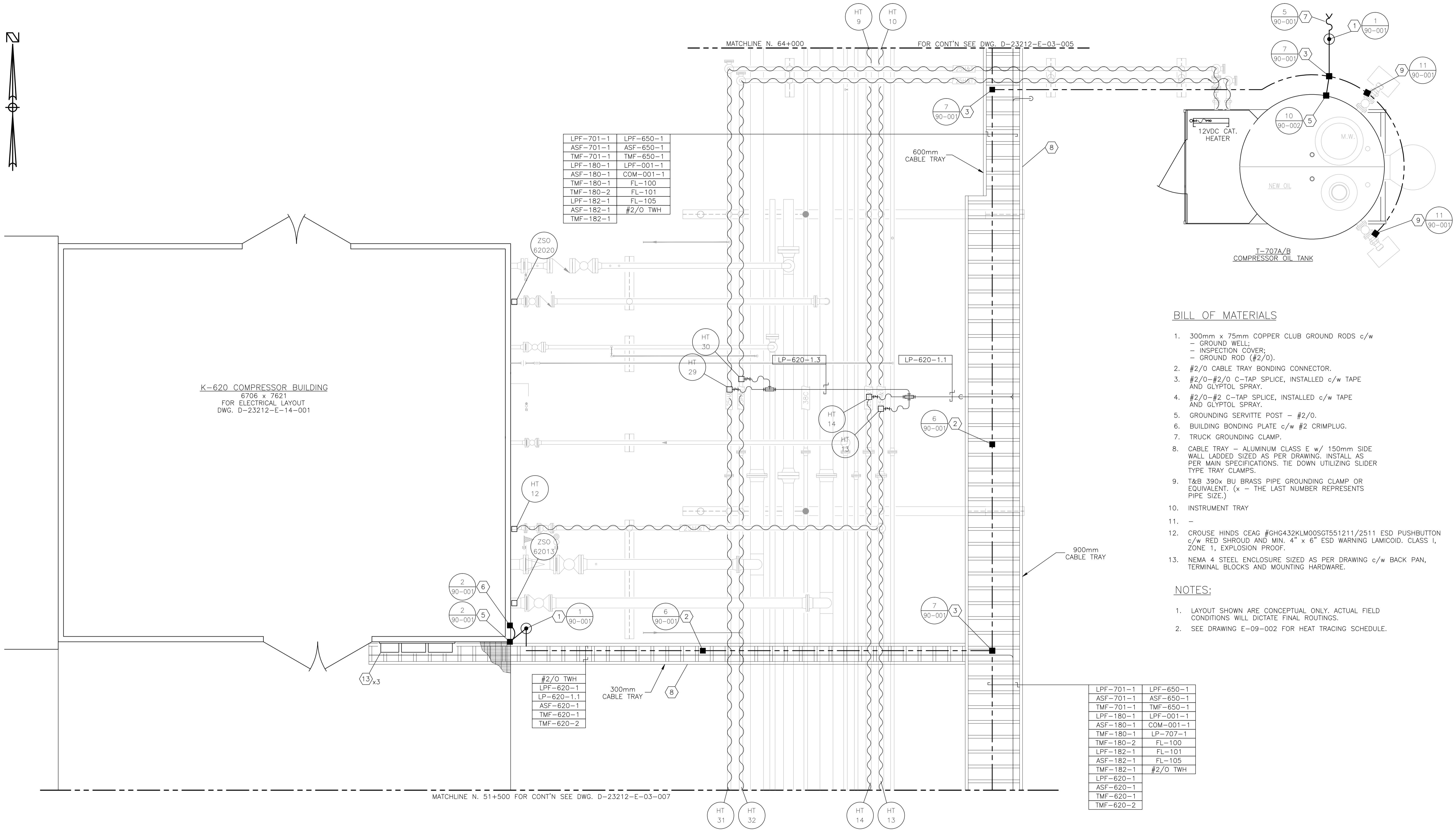
PERMIT STAMP:	STAMP APPLIED TO REV. 2 ONLY
----------------------	------------------------------

GENERAL NOTES:	<p>1. "POST CONSTRUCTION DRAWINGS" ARE GENERATED FROM CONSTRUCTION CHANGE INFORMATION FORWARDED TO BOWER DAMBERGER ROLSETH ENGINEERING LTD. BY THE OWNER'S FIELD SUPERVISORS AND/OR FIELD CONTRACTORS. ANY CHANGES NOT DOCUMENTED WILL NOT APPEAR ON THE DRAWINGS AND THEREFORE THE DRAWING MAY NOT BE AN ACCURATE REPRESENTATION OF THE CONSTRUCTED FACILITY.</p> <p>2. PRIOR TO THE COMMENCEMENT OF ANY CONSTRUCTION AND/OR EXCAVATION IT SHALL BE THE RESPONSIBILITY OF THE OWNER'S REPRESENTATIVE TO VERIFY THE LOCATION AND STATUS OF ANY PIPING, ELECTRICAL EQUIPMENT OR BUILDINGS.</p> <p>3. ANY REVISIONS MADE TO EXISTING EQUIPMENT, PIPING OR ELECTRICAL ON A FACILITY NOT DESIGNED BY B.D.R. ENG. LTD. IS ONLY SHOWN AS A REPRESENTATION OF WHAT EXISTS AND MUST BE VERIFIED BY THE OWNER.</p>
-----------------------	---

DRN.	BY	DATE
CHK.	PC	04.10.08
APP'D.		
L.S.D.	15-10-62-06 WSM	



FORT ENERGY CORPORATION		
CORBETT GAS PLANT BOOSTER COMPRESSOR AREA ELECTRICAL LAYOUT		
SCALE	DRAWING NUMBER	REV
1 : 30	D-23212-E-03-005	3



LPF-701-1	LPF-650-1
ASF-701-1	ASF-650-1
TMF-701-1	TMF-650-1
LPF-180-1	LPF-001-1
ASF-180-1	COM-001-1
TMF-180-1	FL-100
TMF-180-2	FL-101
LPF-182-1	FL-105
ASF-182-1	#2/O TWH
TMF-182-1	

#2/O TWH
LPF-620-1
LP-620-1.1
ASF-620-1
TMF-620-1
TMF-620-2

LPF-701-1	LPF-650-1
ASF-701-1	ASF-650-1
TMF-701-1	TMF-650-1
LPF-180-1	LPF-001-1
ASF-180-1	COM-001-1
TMF-180-1	LP-707-1
TMF-180-2	FL-100
LPF-182-1	FL-101
ASF-182-1	FL-105
TMF-182-1	#2/O TWH
LPF-620-1	
ASF-620-1	
TMF-620-1	
TMF-620-2	

BILL OF MATERIALS

- 300mm x 75mm COPPER CLUB GROUND RODS c/w - GROUND WELL; - INSPECTION COVER; - GROUND ROD (#2/O).
- #2/O CABLE TRAY BONDING CONNECTOR.
- #2/O-#2/O C-TAP SPLICE, INSTALLED c/w TAPE AND GLYPTOL SPRAY.
- #2/O-#2 C-TAP SPLICE, INSTALLED c/w TAPE AND GLYPTOL SPRAY.
- GROUNDING SERVITTE POST - #2/O.
- BUILDING BONDING PLATE c/w #2 CRIMPLUG.
- TRUCK GROUNDING CLAMP.
- CABLE TRAY - ALUMINUM CLASS E w/ 150mm SIDE WALL LADDED SIZED AS PER DRAWING. INSTALL AS PER MAIN SPECIFICATIONS. TIE DOWN UTILIZING SLIDER TYPE TRAY CLAMPS.
- T&B 390x BU BRASS PIPE GROUNDING CLAMP OR EQUIVALENT. (x - THE LAST NUMBER REPRESENTS PIPE SIZE.)
- INSTRUMENT TRAY
-
- CROUSE HINDS CEAG #GHG432KLM00SGT551211/2511 ESD PUSHBUTTON c/w RED SHROUD AND MIN. 4" x 6" ESD WARNING LAMICOID. CLASS I, ZONE 1, EXPLOSION PROOF.
- NEMA 4 STEEL ENCLOSURE SIZED AS PER DRAWING c/w BACK PAN, TERMINAL BLOCKS AND MOUNTING HARDWARE.

NOTES:

- LAYOUT SHOWN ARE CONCEPTUAL ONLY. ACTUAL FIELD CONDITIONS WILL DICTATE FINAL ROUTINGS.
- SEE DRAWING E-09-002 FOR HEAT TRACING SCHEDULE.

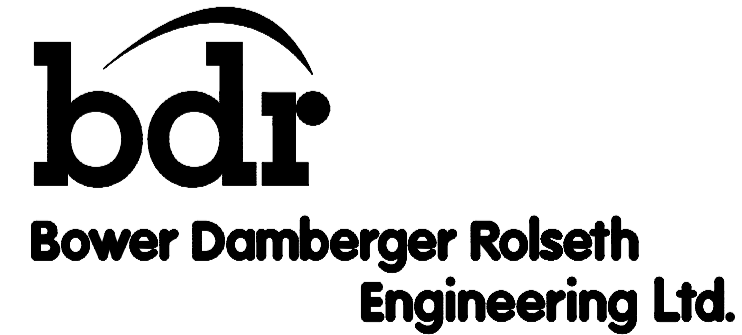
NO.	REVISION	PROJ. No.	BY	DATE	CHK.	DATE
3	POST CONSTRUCTION REVISIONS	43733	SM	05.02.02	ATB	05.02.02
2	ISSUED FOR CONSTRUCTION	43733	FC	04.10.27	ATB	04.11.01
1	ISSUED FOR FIELD BID	43733	FC	04.10.15	ATB	04.10.15
0	ISSUED FOR APPROVAL	43733	PC	04.10.08	ATB	04.10.08

PERMIT STAMP:	STAMP APPLIED TO REV. 2 ONLY
----------------------	------------------------------

GENERAL NOTES:

- "POST CONSTRUCTION DRAWINGS" ARE GENERATED FROM CONSTRUCTION CHANGE INFORMATION FORWARDED TO BOWER DAMBERGER ROLSETH ENGINEERING LTD. BY THE OWNER'S FIELD SUPERVISORS AND/OR FIELD CONTRACTORS. ANY CHANGES NOT DOCUMENTED WILL NOT APPEAR ON THE DRAWINGS AND THEREFORE THE DRAWING MAY NOT BE AN ACCURATE REPRESENTATION OF THE CONSTRUCTED FACILITY.
- PRIOR TO THE COMMENCEMENT OF ANY CONSTRUCTION AND/OR EXCAVATION IT SHALL BE THE RESPONSIBILITY OF THE OWNER'S REPRESENTATIVE TO VERIFY THE LOCATION AND STATUS OF ANY PIPING, ELECTRICAL EQUIPMENT OR BUILDINGS.
- ANY REVISIONS MADE TO EXISTING EQUIPMENT, PIPING OR ELECTRICAL ON A FACILITY NOT DESIGNED BY B.D.R. ENG. LTD. IS ONLY SHOWN AS A REPRESENTATION OF WHAT EXISTS AND MUST BE VERIFIED BY THE OWNER.

DRN.	BY	DATE
CHK.	PC	04.10.08
APP'D.		
L.S.D.	15-10-62-06 WSM	



FORT ENERGY CORPORATION		
CORBETT GAS PLANT		
K-620 COMPRESSOR BUILDING AREA ELECTRICAL LAYOUT		
SCALE	DRAWING NUMBER	REV
1 : 30	D-23212-E-03-006	3

MATCHLINE N. 51+500 CONT'N SEE DWG. D-23212-E-03-006



LPF-701-1	LPF-650-1
ASF-701-1	ASF-650-1
TMF-701-1	TMF-650-1
LPF-180-1	LPF-001-1
ASF-180-1	COM-001-1
TMF-180-1	LP-707-1
TMF-180-2	FL-100
LPF-182-1	FL-101
ASF-182-1	FL-105
TMF-182-1	#2/O TWH
LPF-620-1	
ASF-620-1	
TMF-620-1	
TMF-620-2	

BILL OF MATERIALS

- 300mm x 75mm COPPER CLUB GROUND RODS c/w
- GROUND WELL;
- INSPECTION COVER;
- GROUND ROD (#2/0).
- #2/0 CABLE TRAY BONDING CONNECTOR.
- #2/0-#2/0 C-TAP SPLICE, INSTALLED c/w TAPE AND GLYPTOL SPRAY.
- #2/0-#2 C-TAP SPLICE, INSTALLED c/w TAPE AND GLYPTOL SPRAY.
- GROUNDING SERVITTE POST - #2/0.
- BUILDING BONDING PLATE c/w #2 CRIMPLUG.
- TRUCK GROUNDING CLAMP.
- CABLE TRAY - ALUMINUM CLASS E w/ 150mm SIDE WALL LADDED SIZED AS PER DRAWING. INSTALL AS PER MAIN SPECIFICATIONS. TIE DOWN UTILIZING SLIDER TYPE TRAY CLAMPS.
- T&B 390x BU BRASS PIPE GROUNDING CLAMP OR EQUIVALENT. (x - THE LAST NUMBER REPRESENTS PIPE SIZE.)
- INSTRUMENT TRAY
-
- CROUSE HINDS CEAG #GHG432KLM00SGT551211/2511 ESD PUSHBUTTON c/w RED SHROUD AND MIN. 4" x 6" ESD WARNING LAMICOID. CLASS I, ZONE 1, EXPLOSION PROOF.
- NEMA 4 STEEL ENCLOSURE SIZED AS PER DRAWING D c/w BACK PAN, TERMINAL BLOCKS AND MOUNTING HARDWARE.

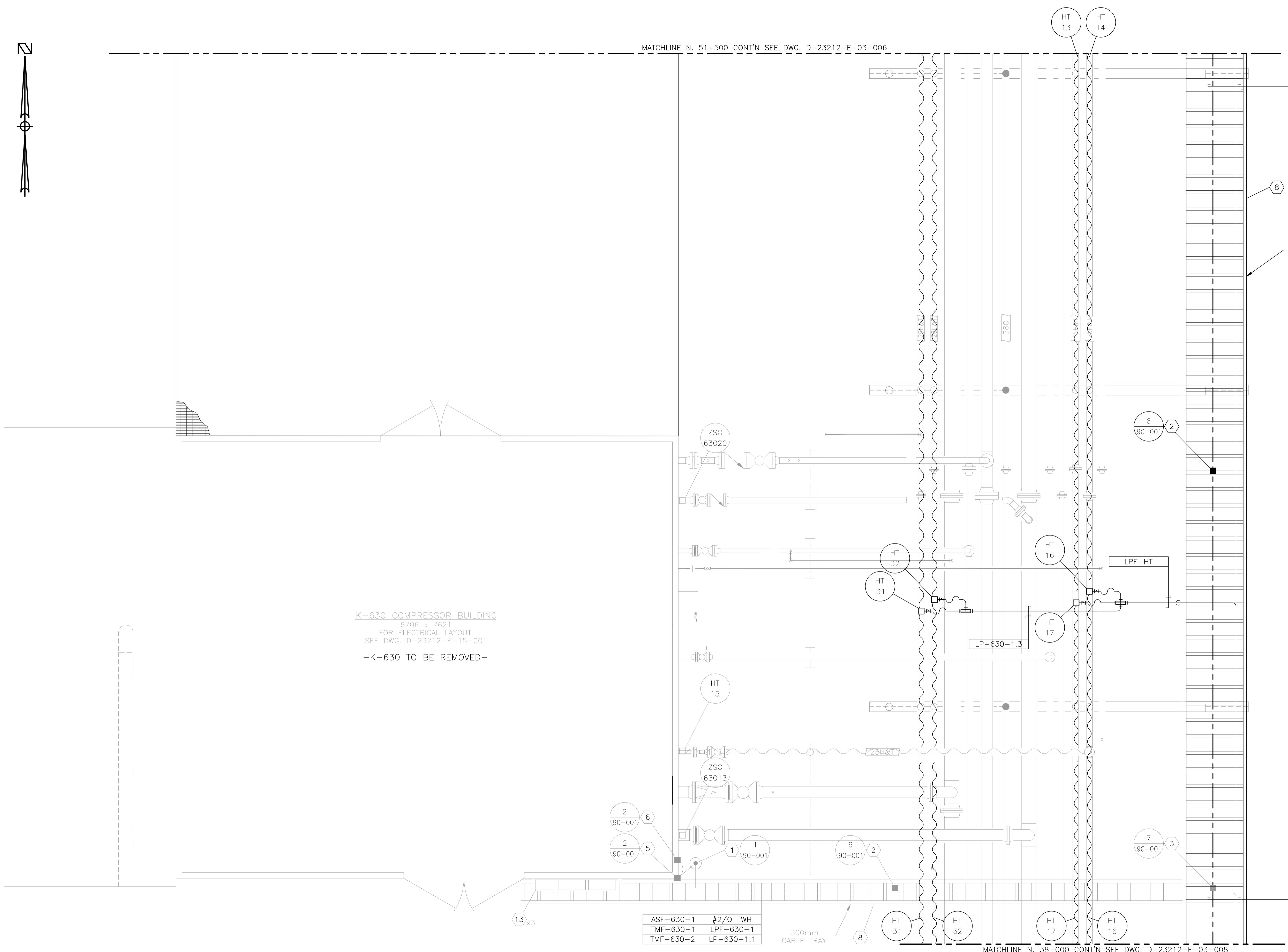
NOTES:

- LAYOUT SHOWN ARE CONCEPTUAL ONLY. ACTUAL FIELD CONDITIONS WILL DICTATE FINAL ROUTINGS.
- SEE DRAWING E-09-002 FOR HEAT TRACING SCHEDULE.
- K-630 CABLES TO BE TAGGED, BAGGED, AND LEFT SPARE IN MAIN TRAY.

LPF-701-1	LPF-650-1
ASF-701-1	ASF-650-1
TMF-701-1	TMF-650-1
LPF-180-1	LPF-630-1
ASF-180-1	ASF-630-1
TMF-180-1	TMF-630-1
TMF-180-2	TMF-630-2
TMF-180-2	LPF-001-1
LPF-182-1	COM-001-1
ASF-182-1	LP-707-1
TMF-182-1	FL-100
LPF-620-1	FL-101
ASF-620-1	FL-105
TMF-620-1	LPF-HT
TMF-620-2	#2/O TWH

NOTE 3

K-630 COMPRESSOR BUILDING
6706 x 7621
FOR ELECTRICAL LAYOUT
SEE DWG. D-23212-E-15-001
-K-630 TO BE REMOVED-



ASF-630-1	#2/O TWH
TMF-630-1	LPF-630-1
TMF-630-2	LP-630-1.1

MATCHLINE N. 38+000 CONT'N SEE DWG. D-23212-E-03-008

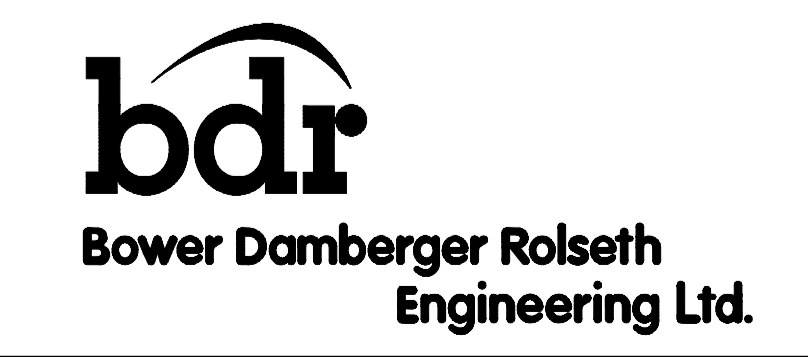
NO.	REVISION	PROJECT	DSN	DRN	CHK'D	APP'D	DATE
7	POST CONSTRUCTION REVISIONS	43884	BGO	SRM			06.02.14
6	2005 EXPANSION ISSUED FOR CONSTRUCTION	43884	BGO	FC	BGO	RLB	05.10.19
5	2005 EXPANSION ISSUED FOR BID	43884	BGO	FC	BGO		05.09.26
4	2005 EXPANSION ISSUED FOR APPROVAL	43884	BGO	FC	BGO		05.09.26
3	POST CONSTRUCTION REVISIONS	43733	ATB	SM	ATB		05.02.02
2	ISSUED FOR CONSTRUCTION	43733	ATB	FC	ATB	WDS	04.11.01
1	ISSUED FOR FIELD BID	43733	ATB	FC	ATB		04.10.15
0	ISSUED FOR APPROVAL	43733	ATB	PC	ATB		04.10.08

PERMIT STAMP:
STAMP APPLIED TO REV. 6 ONLY

GENERAL NOTES:
1. "POST CONSTRUCTION DRAWINGS" ARE GENERATED FROM CONSTRUCTION CHANGE INFORMATION FORWARDED TO BOWER DAMBERGER ROLSETH ENGINEERING LTD. BY THE OWNER'S FIELD SUPERVISORS AND/OR BIDDING CONTRACTORS. ANY CHANGES NOT DOCUMENTED WILL NOT APPEAR ON THE DRAWINGS AND THEREFORE THE DRAWING MAY NOT BE AN ACCURATE REPRESENTATION OF THE CONSTRUCTED FACILITY.
2. PRIOR TO THE COMMENCEMENT OF ANY CONSTRUCTION AND/OR EXCAVATION IT SHALL BE THE RESPONSIBILITY OF THE OWNER'S REPRESENTATIVE TO VERIFY THE LOCATION AND STATUS OF ANY PIPING, ELECTRICAL EQUIPMENT OR BUILDINGS.
3. ANY REVISIONS MADE TO EXISTING EQUIPMENT, PIPING OR ELECTRICAL ON A FACILITY NOT DESIGNED BY B.D.R. ENG. LTD. IS ONLY SHOWN AS A REPRESENTATION OF WHAT EXISTS AND MUST BE VERIFIED BY THE OWNER.

DESIGN	BY	DATE
ATB	ATB	04.10.08
PC	PC	04.10.08
BGO	BGO	05.10.19
RLB	RLB	05.10.19
W5M	W5M	15-10-62-06

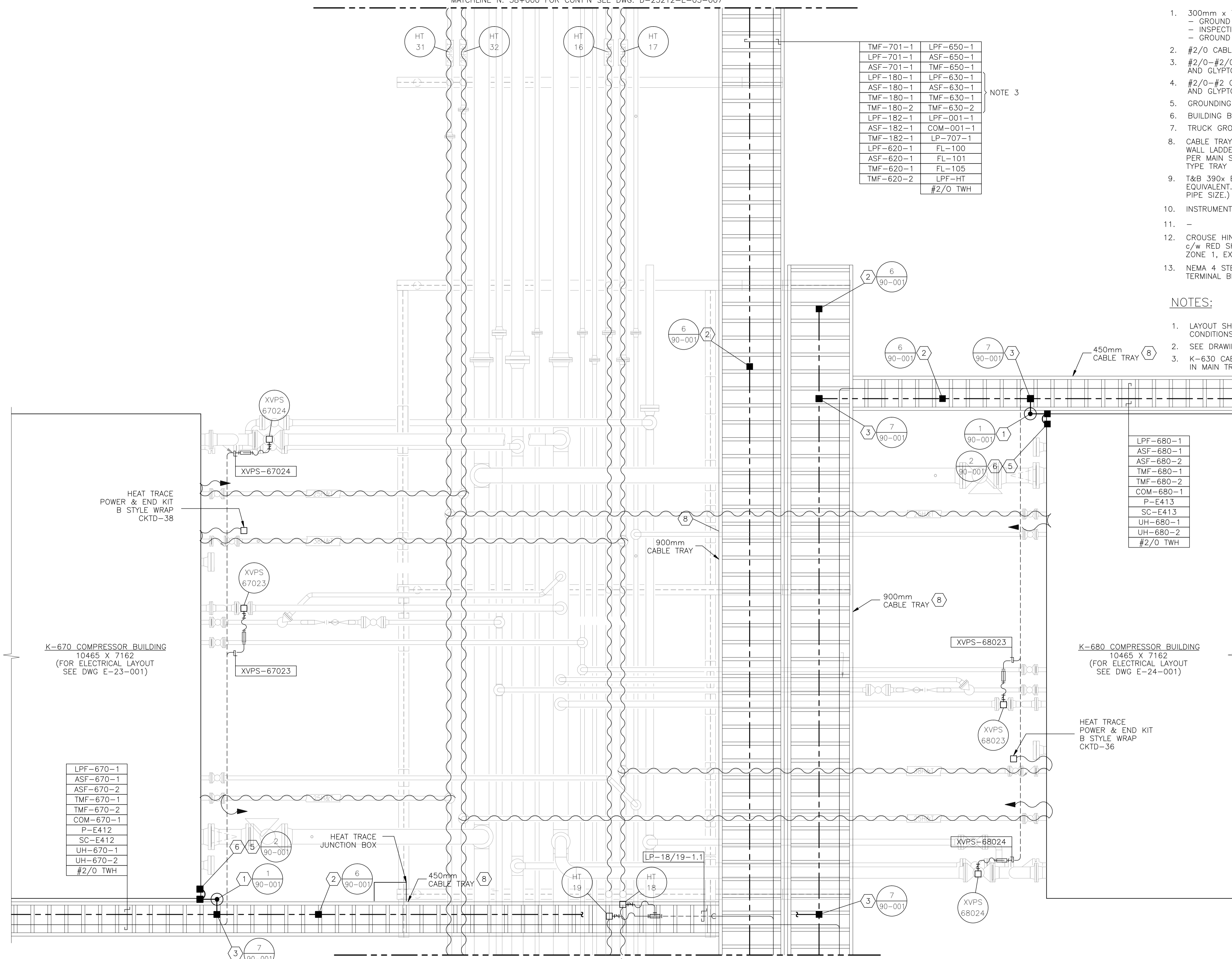
BY DATE
DESIGN ATB 04.10.08
DRAWN PC 04.10.08
CHK'D BGO 05.10.19
APP'D RLB 05.10.19
L.S.D. 15-10-62-06 W5M



FORT ENERGY CORPORATION		
CORBETT GAS PLANT K-630 COMPRESSOR BUILDING AREA ELECTRICAL LAYOUT ELECTRICAL LAYOUT		
SCALE	DRAWING NUMBER	REV
1 : 30	D-23212-E-03-007	7



MATCHLINE N. 38+000 FOR CONT'N SEE DWG. D-23212-E-03-007



TMF-701-1	LPF-650-1
LPF-701-1	ASF-650-1
ASF-701-1	TMF-650-1
LPF-180-1	LPF-630-1
ASF-180-1	ASF-630-1
TMF-180-1	TMF-630-1
TMF-180-2	TMF-630-2
LPF-182-1	LPF-001-1
ASF-182-1	COM-001-1
TMF-182-1	LP-707-1
LPF-620-1	FL-100
ASF-620-1	FL-101
TMF-620-1	FL-105
TMF-620-2	LPF-HT
	#2/0 TWH

NOTE 3

BILL OF MATERIALS

- 300mm x 75mm COPPER CLUB GROUND RODS c/w
- GROUND WELL;
- INSPECTION COVER;
- GROUND ROD (#2/0).
- #2/0 CABLE TRAY BONDING CONNECTOR.
- #2/0-#2/0 C-TAP SPLICE, INSTALLED c/w TAPE AND GLYPTOL SPRAY.
- #2/0-#2 C-TAP SPLICE, INSTALLED c/w TAPE AND GLYPTOL SPRAY.
- GROUNDING SERVITTE POST - #2/0.
- BUILDING BONDING PLATE c/w #2 CRIMPLUG.
- TRUCK GROUNDING CLAMP.
- CABLE TRAY - ALUMINUM CLASS E w/ 150mm SIDE WALL LADDED SIZED AS PER DRAWING. INSTALL AS PER MAIN SPECIFICATIONS. TIE DOWN UTILIZING SLIDER TYPE TRAY CLAMPS.
- T&B 390x BU BRASS PIPE GROUNDING CLAMP OR EQUIVALENT. (x - THE LAST NUMBER REPRESENTS PIPE SIZE.)
- INSTRUMENT TRAY
-
- CROUSE HINDS CEAG #GHG432KLM00SGT551211/2511 ESD PUSHBUTTON c/w RED SHROUD AND MIN. 4" x 6" ESD WARNING LAMICOID. CLASS 1, ZONE 1, EXPLOSION PROOF.
- NEMA 4 STEEL ENCLOSURE SIZED AS PER DRAWING c/w BACK PAN, TERMINAL BLOCKS AND MOUNTING HARDWARE.

NOTES:

- LAYOUT SHOWN ARE CONCEPTUAL ONLY. ACTUAL FIELD CONDITIONS WILL DICTATE FINAL ROUTINGS.
- SEE DRAWING E-09-002 FOR HEAT TRACING SCHEDULE.
- K-630 CABLES TO BE TAGGED, BAGGED, AND LEFT SPARE IN MAIN TRAY.

K-670 COMPRESSOR BUILDING
10465 X 7162
(FOR ELECTRICAL LAYOUT
SEE DWG E-23-001)

K-680 COMPRESSOR BUILDING
10465 X 7162
(FOR ELECTRICAL LAYOUT
SEE DWG E-24-001)

LPF-670-1
ASF-670-1
ASF-670-2
TMF-670-1
TMF-670-2
COM-670-1
P-E412
SC-E412
UH-670-1
UH-670-2
#2/0 TWH

LPF-680-1
ASF-680-1
ASF-680-2
TMF-680-1
TMF-680-2
COM-680-1
P-E413
SC-E413
UH-680-1
UH-680-2
#2/0 TWH

MATCHLINE N. 24+000 FOR CONT'N SEE DWG. D-23212-E-03-009

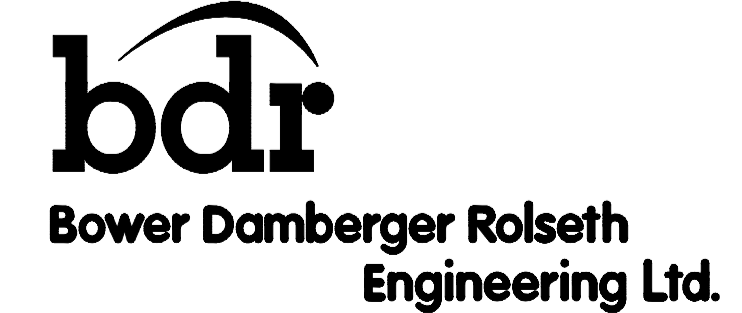
NO.	REVISION	PROJECT	DSN	DRN	CHK'D	APP'D	DATE
7	POST CONSTRUCTION REVISIONS	43884	BGO	SRM			06.02.14
6	2005 EXPANSION ISSUED FOR CONSTRUCTION	43884	BGO	FC	BGO	RLB	05.10.19
5	2005 EXPANSION ISSUED FOR BID	43884	BGO	FC	BGO		05.09.26
4	2005 EXPANSION ISSUED FOR APPROVAL	43884	BGO	FC	BGO		05.09.06
3	POST CONSTRUCTION REVISIONS	43733	ATB	SM	ATB		05.02.02
2	ISSUED FOR CONSTRUCTION	43733	ATB	FC	ATB	WDS	04.11.01
1	ISSUED FOR FIELD BID	43733	ATB	FC	ATB		04.10.15
0	ISSUED FOR APPROVAL	43733	ATB	PC	ATB		04.10.08

PERMIT STAMP:	
STAMP APPLIED TO REV. 6 ONLY	

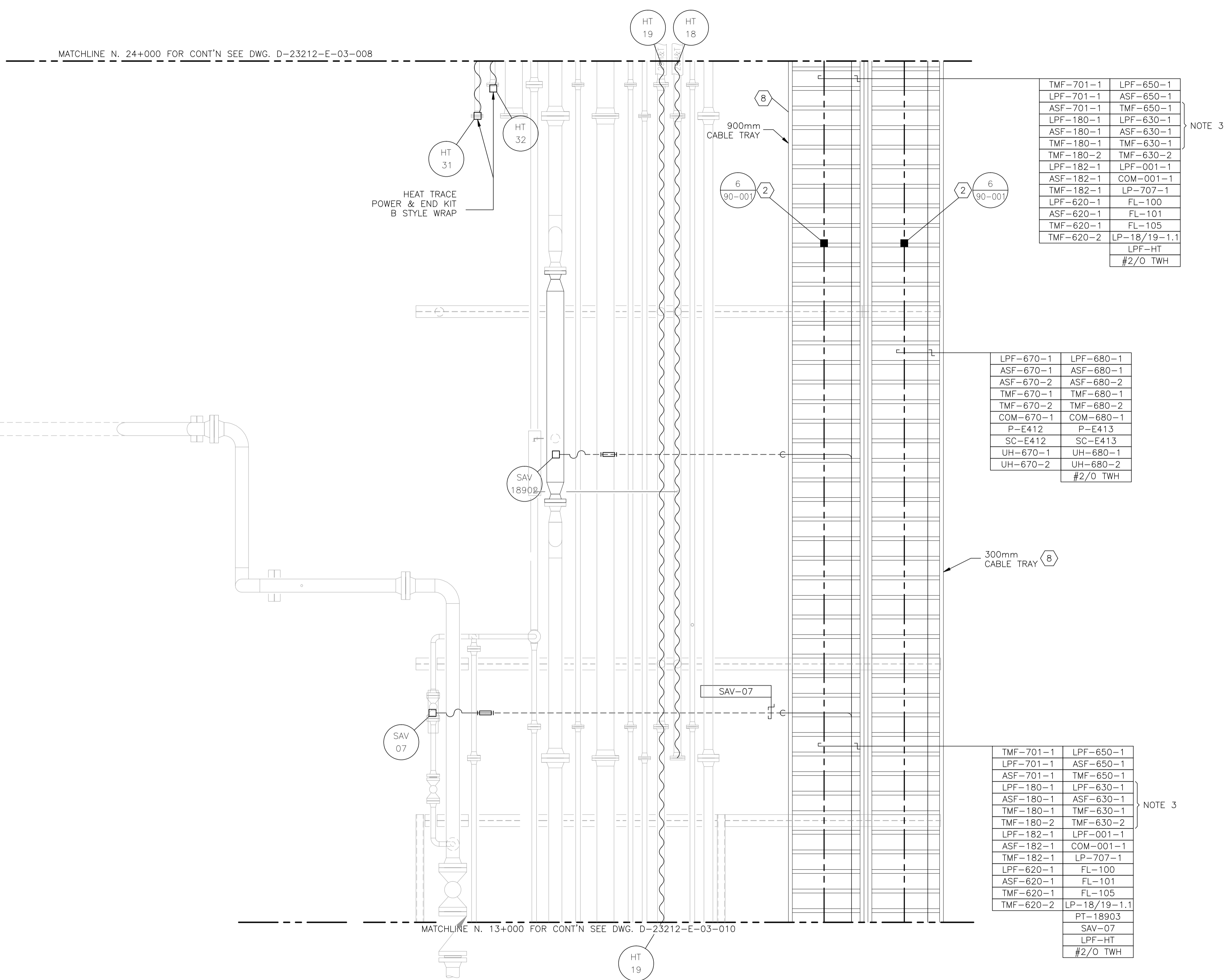
GENERAL NOTES:

- "POST CONSTRUCTION DRAWINGS" ARE GENERATED FROM CONSTRUCTION CHANGE INFORMATION FORWARDED TO BOWER DAMBERGER ROLSETH ENGINEERING LTD. BY THE OWNER'S FIELD SUPERVISORS AND/OR FIELD CONTRACTORS. ANY CHANGES NOT DOCUMENTED WILL NOT APPEAR ON THE DRAWINGS AND THEREFORE THE DRAWING MAY NOT BE AN ACCURATE REPRESENTATION OF THE CONSTRUCTED FACILITY.
- PRIOR TO THE COMMENCEMENT OF ANY CONSTRUCTION AND/OR EXCAVATION IT SHALL BE THE RESPONSIBILITY OF THE OWNER REPRESENTATIVE TO VERIFY THE LOCATION AND STATUS OF ANY PIPING, ELECTRICAL, EQUIPMENT OR BUILDINGS.
- ANY REVISIONS MADE TO EXISTING EQUIPMENT, PIPING OR ELECTRICAL ON A FACILITY NOT DESIGNED BY B.D.R. ENG. LTD. IS ONLY SHOWN AS A REPRESENTATION OF WHAT EXISTS AND MUST BE VERIFIED BY THE OWNER.

DESIGN	BY	DATE
ATB	ATB	04.10.08
PC	PC	04.10.08
BGO	BGO	05.10.19
RLB	RLB	05.10.19
W5M		15-10-62-06



FORT ENERGY CORPORATION		
CORBETT GAS PLANT K-670 & K-680 COMPRESSOR BUILDING AREA ELECTRICAL LAYOUT		
SCALE	DRAWING NUMBER	REV
1 : 30	D-23212-E-03-008	7



TMF-701-1	LPF-650-1
LPF-701-1	ASF-650-1
ASF-701-1	TMF-650-1
LPF-180-1	LPF-630-1
ASF-180-1	ASF-630-1
TMF-180-1	TMF-630-1
TMF-180-2	TMF-630-2
LPF-182-1	LPF-001-1
ASF-182-1	COM-001-1
TMF-182-1	LP-707-1
LPF-620-1	FL-100
ASF-620-1	FL-101
TMF-620-1	FL-105
TMF-620-2	LP-18/19-1.1
	LPF-HT
	#2/O TWH

NOTE 3

LPF-670-1	LPF-680-1
ASF-670-1	ASF-680-1
ASF-670-2	ASF-680-2
TMF-670-1	TMF-680-1
TMF-670-2	TMF-680-2
COM-670-1	COM-680-1
P-E412	P-E413
SC-E412	SC-E413
UH-670-1	UH-680-1
UH-670-2	UH-680-2
	#2/O TWH

TMF-701-1	LPF-650-1
LPF-701-1	ASF-650-1
ASF-701-1	TMF-650-1
LPF-180-1	LPF-630-1
ASF-180-1	ASF-630-1
TMF-180-1	TMF-630-1
TMF-180-2	TMF-630-2
LPF-182-1	LPF-001-1
ASF-182-1	COM-001-1
TMF-182-1	LP-707-1
LPF-620-1	FL-100
ASF-620-1	FL-101
TMF-620-1	FL-105
TMF-620-2	LP-18/19-1.1
	PT-18903
	SAV-07
	LPF-HT
	#2/O TWH

NOTE 3

BILL OF MATERIALS

- 300mm x 75mm COPPER CLUB GROUND RODS c/w
- GROUND WELL;
- INSPECTION COVER;
- GROUND ROD (#2/O).
- #2/O CABLE TRAY BONDING CONNECTOR.
- #2/O-#2/O C-TAP SPLICE, INSTALLED c/w TAPE AND GLYPTOL SPRAY.
- #2/O-#2 C-TAP SPLICE, INSTALLED c/w TAPE AND GLYPTOL SPRAY.
- GROUNDING SERVITTE POST - #2/O.
- BUILDING BONDING PLATE c/w #2 CRIMPLUG.
- TRUCK GROUNDING CLAMP.
- CABLE TRAY - ALUMINUM CLASS E w/ 150mm SIDE WALL LADDED SIZED AS PER DRAWING. INSTALL AS PER MAIN SPECIFICATIONS. TIE DOWN UTILIZING SLIDER TYPE TRAY CLAMPS.
- T&B 390x BU BRASS PIPE GROUNDING CLAMP OR EQUIVALENT. (x - THE LAST NUMBER REPRESENTS PIPE SIZE.)
- INSTRUMENT TRAY
-
- CROUSE HINDS CEAG #GHG432KLM00SGT551211/2511 ESD PUSHBUTTON c/w RED SHROUD AND MIN. 4" x 6" ESD WARNING LAMICOID, CLASS I, ZONE 1, EXPLOSION PROOF.
- NEMA 4 STEEL ENCLOSURE SIZED AS PER DRAWING c/w BACK PAN, TERMINAL BLOCKS AND MOUNTING HARDWARE.

NOTES:

- LAYOUT SHOWN ARE CONCEPTUAL ONLY. ACTUAL FIELD CONDITIONS WILL DICTATE FINAL ROUTINGS.
- SEE DRAWING E-09-002 FOR HEAT TRACING SCHEDULE.
- K-630 CABLES TO BE TAGGED, BAGGED, AND LEFT SPARE IN MAIN TRAY.

NO.	REVISION	PROJECT	DSN	DRN	CHK'D	APP'D	DATE
7	POST CONSTRUCTION REVISIONS	43884	BGO	SRM			06.02.14
6	2005 EXPANSION ISSUED FOR CONSTRUCTION	43884	BGO	FC	BGO	RLB	05.10.19
5	2005 EXPANSION ISSUED FOR BID	43884	BGO	FC	BGO		05.09.26
4	2005 EXPANSION ISSUED FOR APPROVAL	43884	BGO	FC	BGO		05.09.06
3	POST CONSTRUCTION REVISIONS	43733	ATB	SM	ATB		05.02.02
2	ISSUED FOR CONSTRUCTION	43733	ATB	FC	ATB	WDS	04.11.01
1	ISSUED FOR FIELD BID	43733	ATB	FC	ATB		04.10.15
0	ISSUED FOR APPROVAL	43733	ATB	PC	ATB		04.10.08

PERMIT STAMP:

STAMP APPLIED TO REV. 6 ONLY

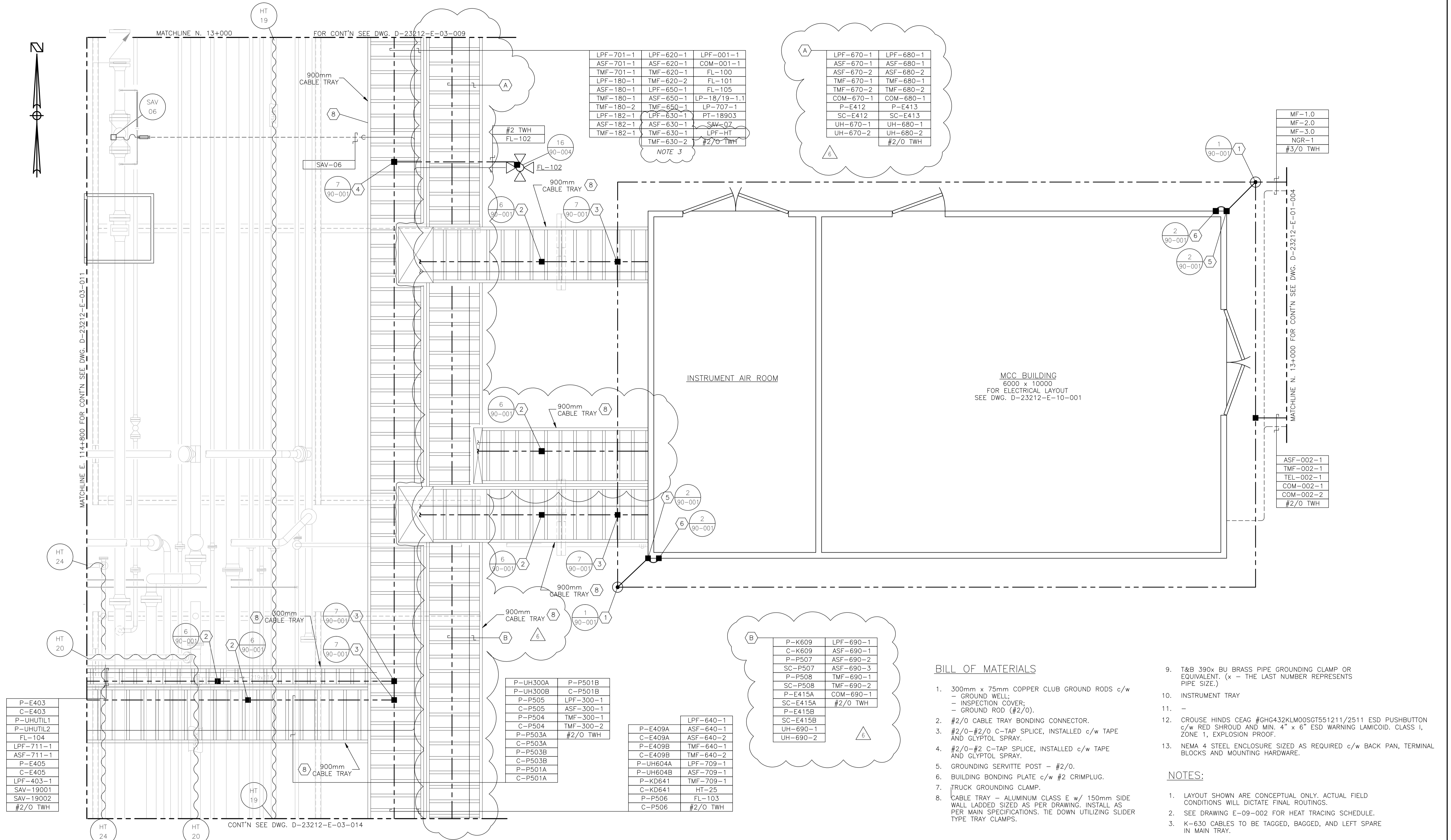
GENERAL NOTES:

- "POST CONSTRUCTION REVISIONS" ARE GENERATED FROM CONSTRUCTION CHANGE INFORMATION FORWARDED TO BOWER DAMBERGER ROLSETH ENGINEERING LTD. BY THE OWNER'S FIELD SUPERVISORS AND/OR BIDDING CONTRACTORS. ANY CHANGES NOT DOCUMENTED WILL NOT APPEAR ON THE DRAWINGS AND THEREFORE THE DRAWING MAY NOT BE AN ACCURATE REPRESENTATION OF THE CONSTRUCTED FACILITY.
- PRIOR TO THE COMMENCEMENT OF ANY CONSTRUCTION AND OR EXCAVATION IT SHALL BE THE RESPONSIBILITY OF THE OWNER REPRESENTATIVE TO VERIFY THE LOCATION AND STATUS OF ANY PIPING, ELECTRICAL, EQUIPMENT OR BUILDINGS.
- ANY REVISIONS MADE TO EXISTING EQUIPMENT, PIPING OR ELECTRICAL ON A FACILITY NOT DESIGNED BY B.D.R. ENG. LTD. IS ONLY SHOWN AS A REPRESENTATION OF WHAT EXISTS AND MUST BE VERIFIED BY THE OWNER.

DESIGN	BY	DATE
ATB	ATB	04.10.08
PC	PC	04.10.08
BGO	BGO	05.10.19
RLB	RLB	05.10.19
W5M	W5M	15-10-62-06



FORT ENERGY CORPORATION		
CORBETT GAS PLANT SALES PIGGING AREA ELECTRICAL LAYOUT		
SCALE	DRAWING NUMBER	REV
1 : 30	D-23212-E-03-009	7



LPF-701-1	LPF-620-1	LPF-001-1
ASF-701-1	ASF-620-1	COM-001-1
TMF-701-1	TMF-620-1	FL-100
LPF-180-1	TMF-620-2	FL-101
ASF-180-1	LPF-650-1	FL-105
TMF-180-1	ASF-650-1	LP-18/19-1,1
TMF-180-2	TMF-650-1	LP-707-1
LPF-182-1	LPF-630-1	PT-18903
ASF-182-1	ASF-630-1	SAV-07
TMF-182-1	TMF-630-1	LPF-HT
	TMF-630-2	#2/O TWH

LPF-670-1	LPF-680-1
ASF-670-1	ASF-680-1
ASF-670-2	ASF-680-2
TMF-670-1	TMF-680-1
TMF-670-2	TMF-680-2
COM-670-1	COM-680-1
P-E412	P-E413
SC-E412	SC-E413
UH-670-1	UH-680-1
UH-670-2	UH-680-2
	#2/O TWH

MF-1.0
MF-2.0
MF-3.0
NGR-1
#3/O TWH

ASF-002-1
TMF-002-1
TEL-002-1
COM-002-1
COM-002-2
#2/O TWH

P-E403
C-E403
P-UHUTIL1
P-UHUTIL2
FL-104
LPF-711-1
ASF-711-1
P-E405
C-E405
LPF-403-1
SAV-19001
SAV-19002
#2/O TWH

P-UH300A	P-P501B
P-UH300B	C-P501B
P-P505	LPF-300-1
C-P505	ASF-300-1
P-P504	TMF-300-1
C-P504	TMF-300-2
P-P503A	#2/O TWH
C-P503A	
P-P503B	
C-P503B	
P-P501A	
C-P501A	

P-E409A	LPF-640-1
C-E409A	ASF-640-1
P-E409B	TMF-640-1
C-E409B	TMF-640-2
P-UH604A	LPF-709-1
P-UH604B	ASF-709-1
P-KD641	TMF-709-1
C-KD641	HT-25
P-P506	FL-103
C-P506	#2/O TWH

P-K609	LPF-690-1
C-K609	ASF-690-1
P-P507	ASF-690-2
SC-P507	ASF-690-3
P-P508	TMF-690-1
SC-P508	TMF-690-2
P-E415A	COM-690-1
P-E415B	#2/O TWH
SC-E415B	
UH-690-1	
UH-690-2	

BILL OF MATERIALS

- 300mm x 75mm COPPER CLUB GROUND RODS c/w - GROUND WELL; - INSPECTION COVER; - GROUND ROD (#2/O).
- #2/O CABLE TRAY BONDING CONNECTOR.
- #2/O-#2/O C-TAP SPLICE, INSTALLED c/w TAPE AND GLYPTOL SPRAY.
- #2/O-#2 C-TAP SPLICE, INSTALLED c/w TAPE AND GLYPTOL SPRAY.
- GROUNDING SERVITTE POST - #2/O.
- BUILDING BONDING PLATE c/w #2 CRIMPLUG.
- TRUCK GROUNDING CLAMP.
- CABLE TRAY - ALUMINUM CLASS E w/ 150mm SIDE WALL LADDLED SIZED AS PER DRAWING. INSTALL AS PER MAIN SPECIFICATIONS. TIE DOWN UTILIZING SLIDER TYPE TRAY CLAMPS.

- T&B 390x BU BRASS PIPE GROUNDING CLAMP OR EQUIVALENT. (x - THE LAST NUMBER REPRESENTS PIPE SIZE.)
- INSTRUMENT TRAY
-
- CROUSE HINDS CEAG #GHG432KLM00SGT551211/2511 ESD PUSHBUTTON c/w RED SHROUD AND MIN. 4" x 6" ESD WARNING LAMICOID. CLASS I, ZONE 1, EXPLOSION PROOF.
- NEMA 4 STEEL ENCLOSURE SIZED AS REQUIRED c/w BACK PAN, TERMINAL BLOCKS AND MOUNTING HARDWARE.

NOTES:

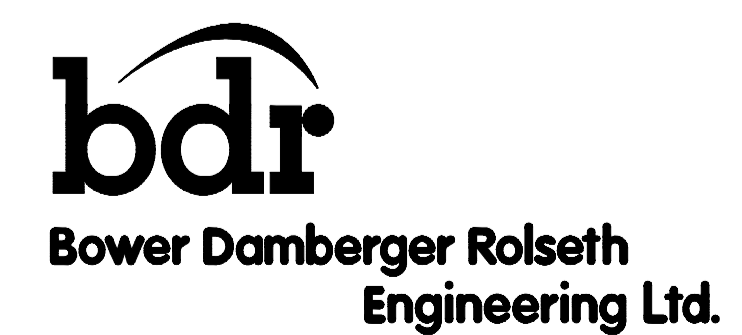
- LAYOUT SHOWN ARE CONCEPTUAL ONLY. ACTUAL FIELD CONDITIONS WILL DICTATE FINAL ROUTINGS.
- SEE DRAWING E-09-002 FOR HEAT TRACING SCHEDULE.
- K-630 CABLES TO BE TAGGED, BAGGED, AND LEFT SPARE IN MAIN TRAY.

NO.	REVISION	PROJECT	DSN	DRN	CHK'D	APP'D	DATE
6	2005 EXPANSION ISSUED FOR CONSTRUCTION	43884	BGO	FC	BGO	RLB	05.10.19
5	2005 EXPANSION ISSUED FOR BID	43884	BGO	FC	BGO		05.09.26
4	2005 EXPANSION ISSUED FOR APPROVAL	43884	BGO	FC	BGO		05.09.06
3	POST CONSTRUCTION REVISIONS	43733	ATB	SM	ATB		05.02.02
2	ISSUED FOR CONSTRUCTION	43733	ATB	FC	ATB	WDS	04.11.01
1	ISSUED FOR FIELD BID	43733	ATB	FC	ATB		04.10.15
0	ISSUED FOR APPROVAL	43733	ATB	PC	ATB		04.10.08

PERMIT STAMP:	STAMP APPLIED TO REV. 6 ONLY
----------------------	------------------------------

GENERAL NOTES:	<ol style="list-style-type: none"> "POST CONSTRUCTION DRAWINGS" ARE GENERATED FROM CONSTRUCTION CHANGE INFORMATION FORWARDED TO BOWER DAMBERGER ROLSETH ENGINEERING LTD. BY THE OWNER'S FIELD SUPERVISORS AND/OR FIELD CONTRACTORS. ANY CHANGES NOT DOCUMENTED WILL NOT APPEAR ON THE DRAWINGS AND THEREFORE THE DRAWING MAY NOT BE AN ACCURATE REPRESENTATION OF THE CONSTRUCTED FACILITY. PRIOR TO THE COMMENCEMENT OF ANY CONSTRUCTION AND/OR EXCAVATION IT SHALL BE THE RESPONSIBILITY OF THE OWNER'S REPRESENTATIVE TO VERIFY THE LOCATION AND STATUS OF ANY PIPING, ELECTRICAL, EQUIPMENT OR BUILDINGS. ANY REVISIONS MADE TO EXISTING EQUIPMENT, PIPING OR ELECTRICAL ON A FACILITY NOT DESIGNED BY B.D.R. ENG. LTD. IS ONLY SHOWN AS A REPRESENTATION OF WHAT EXISTS AND MUST BE VERIFIED BY THE OWNER.
-----------------------	--

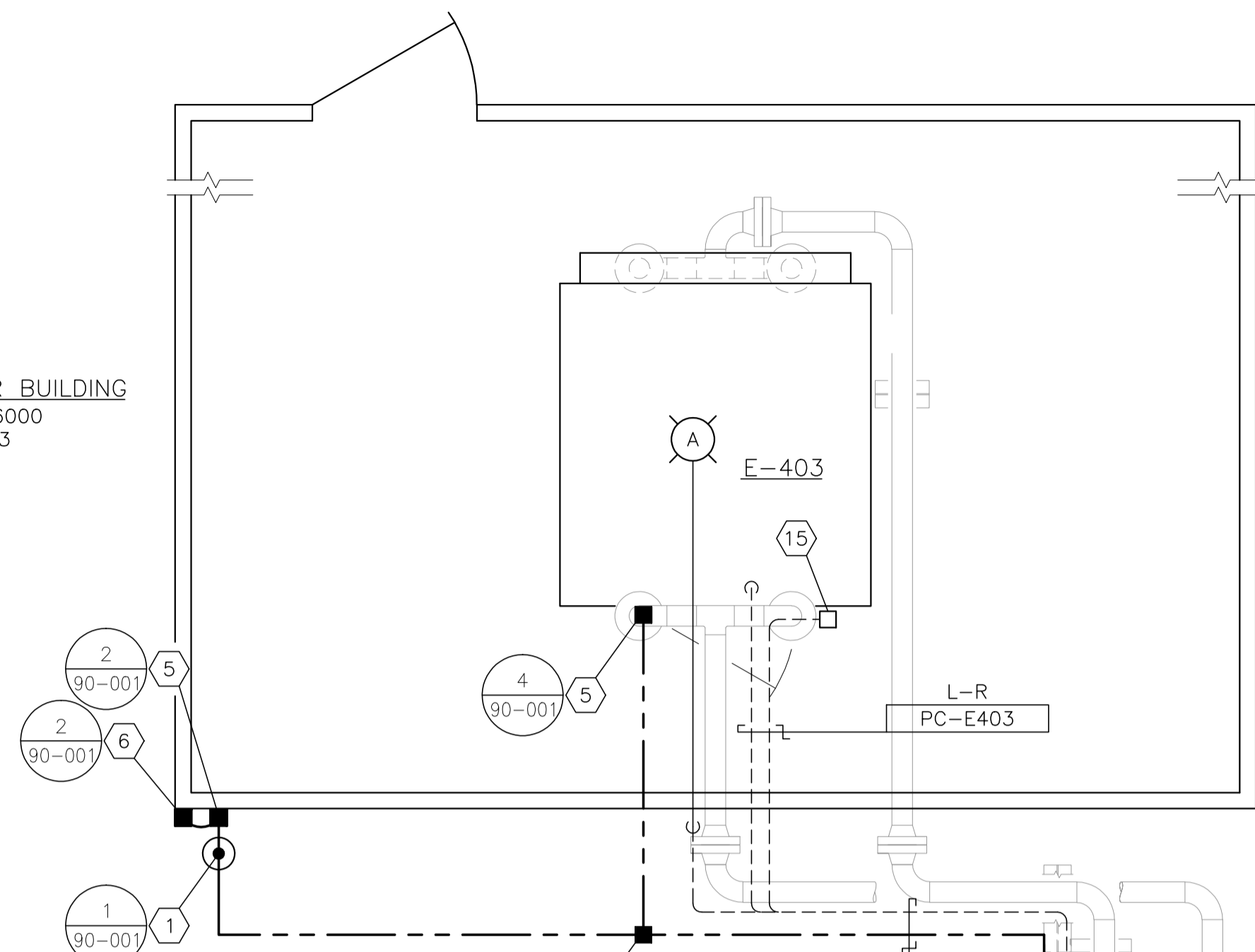
DESIGN	BY	DATE
APP'D	ATB	04.10.08
CHK'D	PC	04.10.08
APP'D	BGO	05.10.19
L.S.D.	RLB	05.10.19
		15-10-62-06 W5M



FORT ENERGY CORPORATION		
CORBETT GAS PLANT MCC BUILDING AREA ELECTRICAL LAYOUT		
SCALE	DRAWING NUMBER	REV
1 : 30	D-23212-E-03-010	6



AMINE COOLER BUILDING
4600 x 6000
NOTE 3

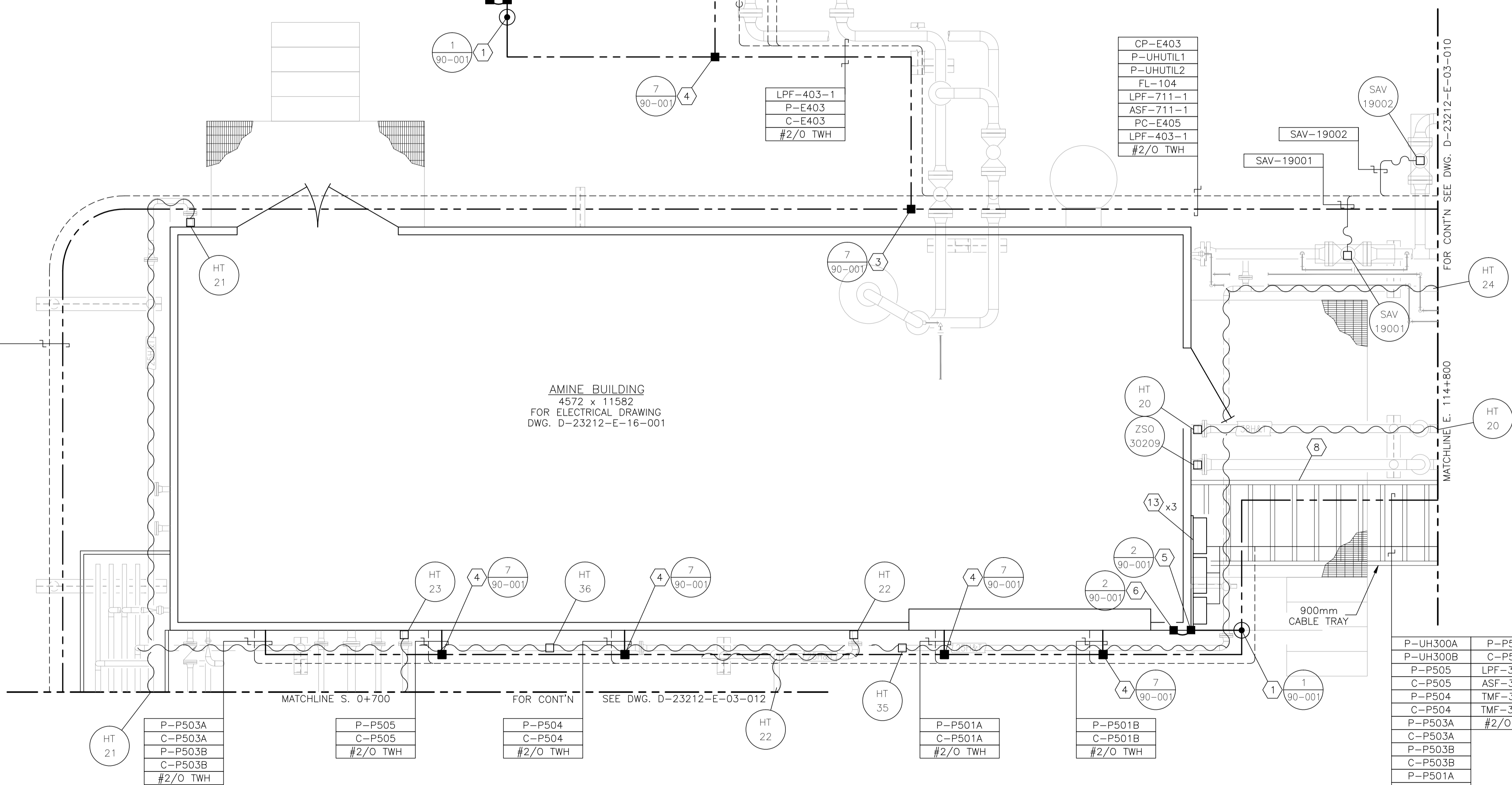


LPF-403-1
P-E403
C-E403
#2/O TWH

CP-E403
P-UHUTIL1
P-UHUTIL2
FL-104
LPF-711-1
ASF-711-1
PC-E405
LPF-403-1
#2/O TWH

AMINE BUILDING
4572 x 11582
FOR ELECTRICAL DRAWING
DWG. D-23212-E-16-001

P-UHUTIL1
P-UHUTIL2
FL-104
LPF-711-1
ASF-711-1
P-E405
C-E405
#2/O TWH



P-P503A
C-P503A
P-P503B
C-P503B
#2/O TWH

P-P505
C-P505
#2/O TWH

P-P504
C-P504
#2/O TWH

P-P501A
C-P501A
#2/O TWH

P-P501B
C-P501B
#2/O TWH

P-UH300A
P-UH300B
P-P505
C-P505
P-P504
C-P504
P-P503A
C-P503A
P-P503B
C-P503B
P-P501A
C-P501A

P-P501B
C-P501B
LPF-300-1
ASF-300-1
TMF-300-1
TMF-300-2
#2/O TWH

BILL OF MATERIALS

- A. CROUSE HINDS #EVLPA143151 120V, 150W HIGH PRESSURE SODIUM, PENDANT MOUNT FIXTURE c/w GLOBE, GUARD AND LAMP. CLASS 1, ZONE 1 & 2, EXPLOSION PROOF.
1. 300mm x 75mm COPPER CLUB GROUND RODS c/w
- GROUND WELL;
- INSPECTION COVER;
- GROUND ROD (#2/0).
2. #2/0 CABLE TRAY BONDING CONNECTOR.
3. #2/0-#2/0 C-TAP SPLICE, INSTALLED c/w TAPE AND GLYPTOL SPRAY.
4. #2/0-#2 C-TAP SPLICE, INSTALLED c/w TAPE AND GLYPTOL SPRAY.
5. GROUNDING SERVITTE POST - #2/0.
6. BUILDING BONDING PLATE c/w #2 CRIMPLUG.
7. TRUCK GROUNDING CLAMP.
8. CABLE TRAY - ALUMINUM CLASS E w/ 150mm SIDE WALL LADDED SIZED AS PER DRAWING. INSTALL AS PER MAIN SPECIFICATIONS. TIE DOWN UTILIZING SLIDER TYPE TRAY CLAMPS.
9. T&B 390x BU BRASS PIPE GROUNDING CLAMP OR EQUIVALENT. (x - THE LAST NUMBER REPRESENTS PIPE SIZE.)
10. INSTRUMENT TRAY
11. -
12. CROUSE HINDS CEAG #GHG432KLM00SGT551211/2511 ESD PUSHBUTTON c/w RED SHROUD AND MIN. 4" x 6" ESD WARNING LAMICOID. CLASS 1, ZONE 1, EXPLOSION PROOF.
13. NEMA 4 STEEL ENCLOSURE SIZED AS PER DRAWING c/w BACK PAN, TERMINAL BLOCKS AND MOUNTING HARDWARE.
14. CROUSE HINDS CEAG #GHG4341115L9003 THREE POSITION CONTROL STATION c/w 2.2kohm SPEED POT, LOCAL/REMOTE SWITCH AND ON/OFF SWITCH. CLASS 1, ZONE 1, EXPLOSION PROOF.
15. CROUSE HINDS #DSD933 ON/OFF SWITCH, 277VSC, 20 AMPS MAX. SINGLE POLE. CLASS 1, DIV 1, EXPLOSION PROOF.

NOTES:

1. LAYOUT SHOWN ARE CONCEPTUAL ONLY. ACTUAL FIELD CONDITIONS WILL DICTATE FINAL ROUTINGS.
2. SEE DRAWING E-09-002 FOR HEAT TRACING SCHEDULE.
3. WIRING OF E-403 AMINE COOLER BUILDING IS DONE BY FIELD CONTRACTOR.

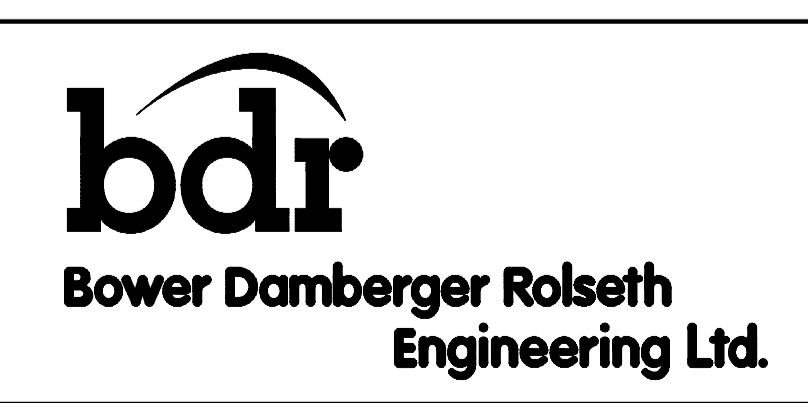
NO.	REVISION	PROJ. No.	BY	DATE	CHK.	DATE
3	POST CONSTRUCTION REVISIONS	43733	SM	05.02.02	ATB	05.02.02
2	ISSUED FOR CONSTRUCTION	43733	FC	04.10.27	ATB	04.11.01
1	ISSUED FOR FIELD BID	43733	FC	04.10.15	ATB	04.10.15
0	ISSUED FOR APPROVAL	43733	PC	04.10.08	ATB	04.10.08

PERMIT STAMP:	STAMP APPLIED TO REV. 2 ONLY
----------------------	------------------------------

GENERAL NOTES:

1. "POST CONSTRUCTION DRAWINGS" ARE GENERATED FROM CONSTRUCTION CHANGE INFORMATION FORWARDED TO BOWER DAMBERGER ROLSETH ENGINEERING LTD. BY THE OWNER'S FIELD SUPERVISORS AND/OR FIELD CONTRACTORS. ANY CHANGES NOT DOCUMENTED WILL NOT APPEAR ON THE DRAWINGS AND THEREFORE THE DRAWING MAY NOT BE AN ACCURATE REPRESENTATION OF THE CONSTRUCTED FACILITY.
2. PRIOR TO THE COMMENCEMENT OF ANY CONSTRUCTION AND/OR EXCAVATION IT SHALL BE THE RESPONSIBILITY OF THE OWNER'S REPRESENTATIVE TO VERIFY THE LOCATION AND STATUS OF ANY PIPING, ELECTRICAL, EQUIPMENT OR BUILDINGS.
3. ANY REVISIONS MADE TO EXISTING EQUIPMENT, PIPING OR ELECTRICAL ON A FACILITY NOT DESIGNED BY B.D.R. ENG. LTD. IS ONLY SHOWN AS A REPRESENTATION OF WHAT EXISTS AND MUST BE VERIFIED BY THE OWNER.

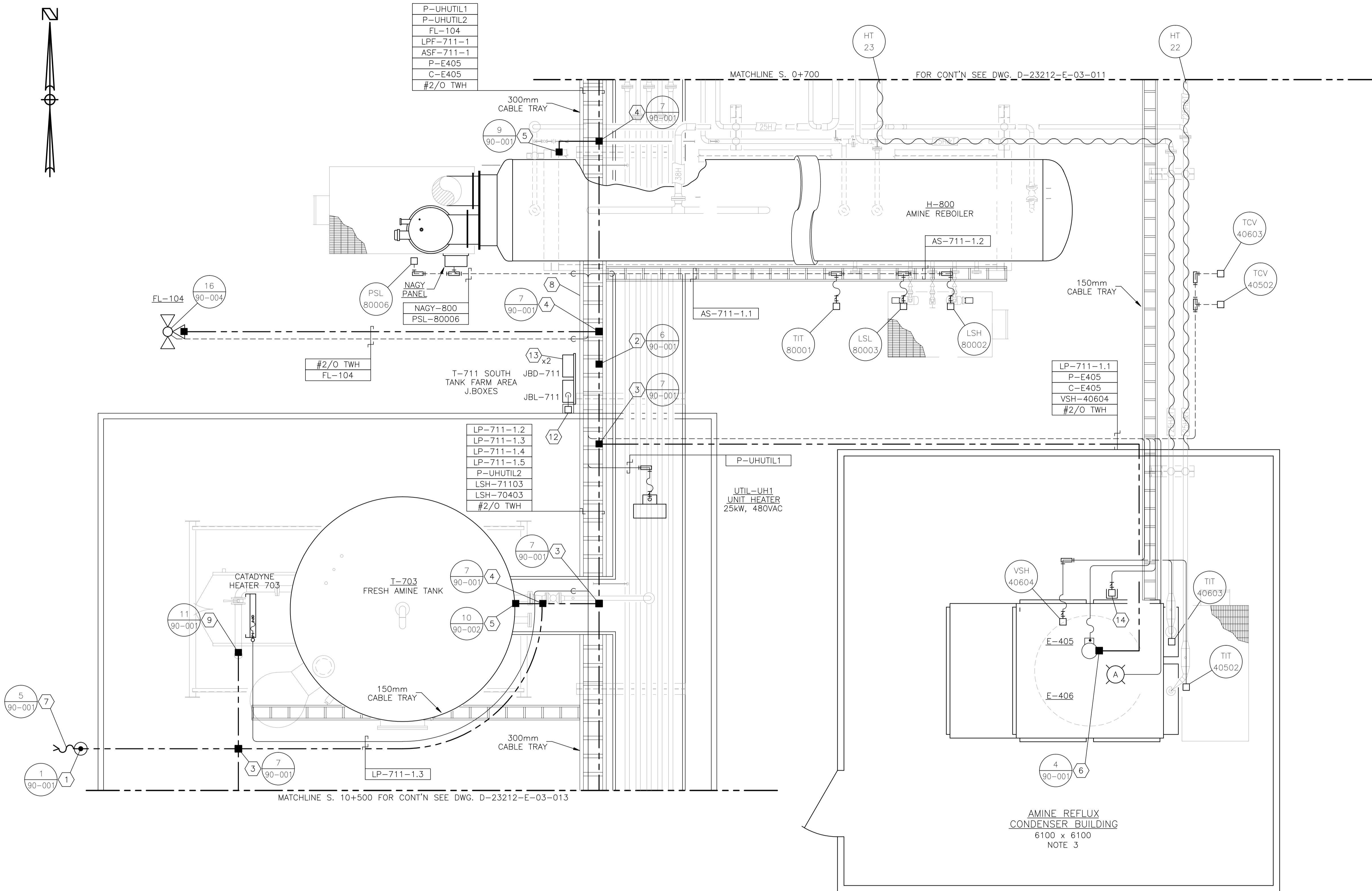
DRN.	BY	DATE
CHK.	PC	04.10.08
APP'D.		
L.S.D.	15-10-62-06 WSM	



FORT ENERGY CORPORATION		
CORBETT GAS PLANT		
AMINE BUILDING AREA ELECTRICAL LAYOUT		
SCALE	DRAWING NUMBER	REV
1 : 30	D-23212-E-03-011	3



P-UHUTIL1
P-UHUTIL2
FL-104
LPF-711-1
ASF-711-1
P-E405
C-E405
#2/O TWH



BILL OF MATERIALS

- A. CROUSE HINDS #EVLPA143151 120V, 150W HIGH PRESSURE SODIUM, PENDANT MOUNT FIXTURE c/w GLOBE, GUARD AND LAMP. CLASS 1, ZONE 1 & 2, EXPLOSION PROOF.
- 1. 300mm x 75mm COPPER CLUB GROUND RODS c/w
- GROUND WELL;
- INSPECTION COVER;
- GROUND ROD (#2/O).
- 2. #2/O CABLE TRAY BONDING CONNECTOR.
- 3. #2/O-#2/O C-TAP SPLICE, INSTALLED c/w TAPE AND GLYPTOL SPRAY.
- 4. #2/O-#2 c-TAP SPLICE, INSTALLED c/w TAPE AND GLYPTOL SPRAY.
- 5. GROUNDING SERVITTE POST - #2/O.
- 6. BUILDING BONDING PLATE c/w #2 CRIMPLUG.
- 7. TRUCK GROUNDING CLAMP.
- 8. CABLE TRAY - ALUMINUM CLASS E w/ 150mm SIDE WALL LADDED SIZED AS PER DRAWING. INSTALL AS PER MAIN SPECIFICATIONS. TIE DOWN UTILIZING SLIDER TYPE TRAY CLAMPS.
- 9. T&B 390x BU BRASS PIPE GROUNDING CLAMP OR EQUIVALENT. (x - THE LAST NUMBER REPRESENTS PIPE SIZE.)
- 10. INSTRUMENT TRAY
- 11. -
- 12. CROUSE HINDS CEAG #CHG432KLM00SGT551211/2511 ESD PUSHBUTTON c/w RED SHROUD AND MIN. 4" x 6" ESD WARNING LAMICOID. CLASS 1, ZONE 1, EXPLOSION PROOF.
- 13. NEMA 4 STEEL ENCLOSURE SIZED AS PER DRAWING c/w BACK PAN, TERMINAL BLOCKS AND MOUNTING HARDWARE.
- 14. CROUSE HINDS #DSD933 ON/OFF SWITCH, 277VSC, 20 AMPS MAX. SINGLE POLE. CLASS 1, DIV 1, EXPLOSION PROOF.

NOTES:

- 1. LAYOUT SHOWN ARE CONCEPTUAL ONLY. ACTUAL FIELD CONDITIONS WILL DICTATE FINAL ROUTINGS.
- 2. SEE DRAWING E-09-002 FOR HEAT TRACING SCHEDULE.
- 3. WIRING OF E-405 AMINE REFLUX CONDENSER BUILDING IS DONE BY FIELD CONTRACTOR.

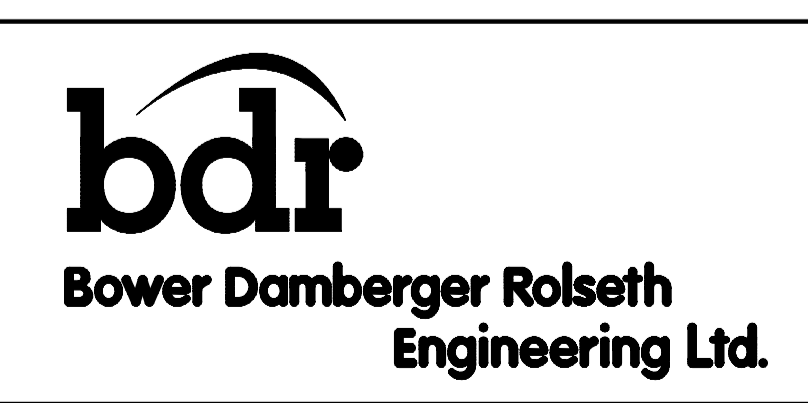
NO.	REVISION	PROJ. No.	BY	DATE	CHK.	DATE
3	POST CONSTRUCTION REVISIONS	43733	SM	05.02.02	ATB	05.02.02
2	ISSUED FOR CONSTRUCTION	43733	FC	04.10.27	ATB	04.11.01
1	ISSUED FOR FIELD BID	43733	FC	04.10.15	ATB	04.10.15
0	ISSUED FOR APPROVAL	43733	PC	04.10.08	ATB	04.10.08

PERMIT STAMP:	STAMP APPLIED TO REV. 2 ONLY
----------------------	------------------------------

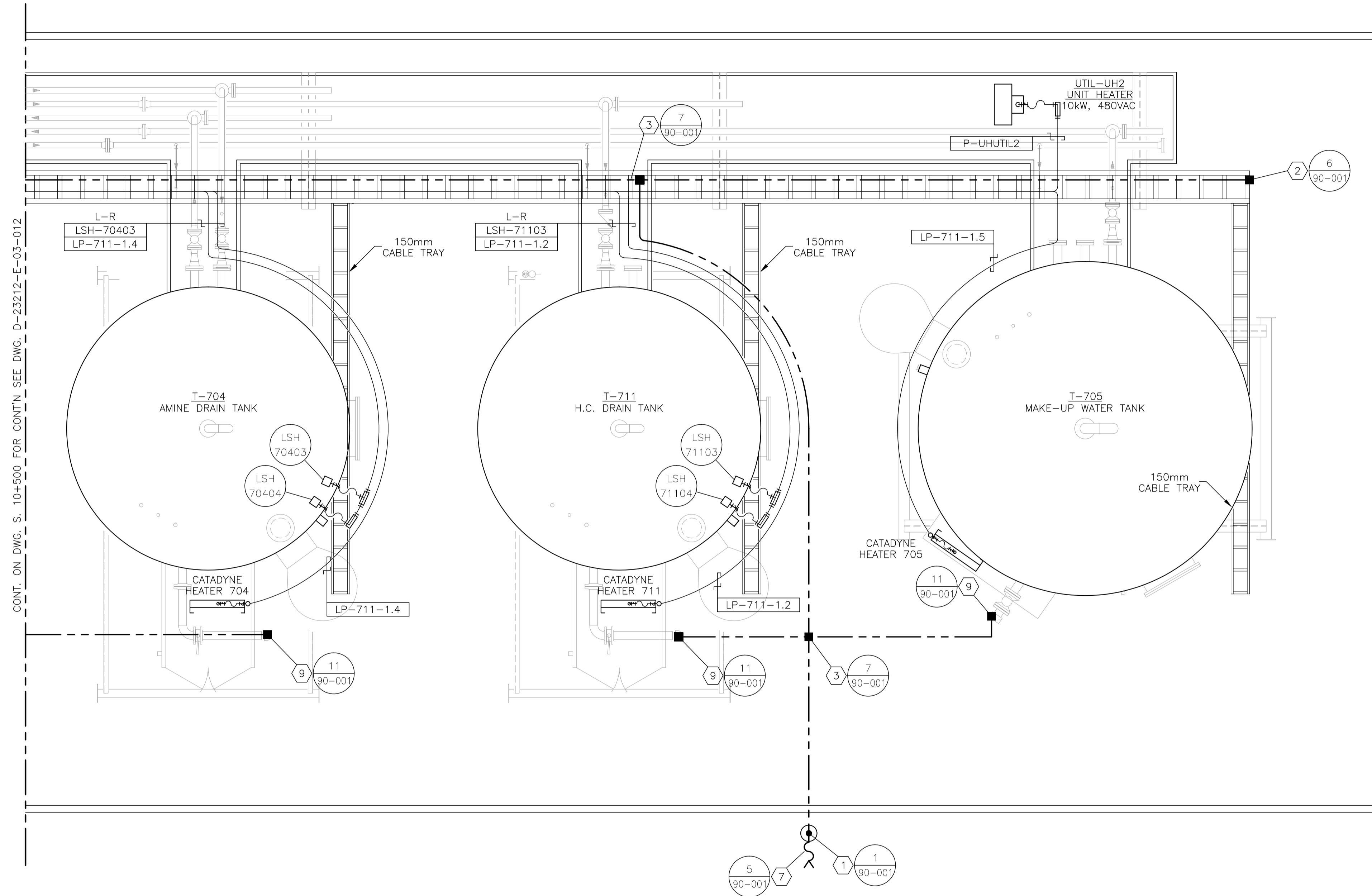
GENERAL NOTES:

- "POST CONSTRUCTION DRAWINGS" ARE GENERATED FROM CONSTRUCTION CHANGE INFORMATION FORWARDED TO BOWER DAMBERGER ROLSETH ENGINEERING LTD. BY THE OWNER'S FIELD SUPERVISORS AND/OR FIELD CONTRACTORS. ANY CHANGES NOT DOCUMENTED WILL NOT APPEAR ON THE DRAWINGS AND THEREFORE THE DRAWING MAY NOT BE AN ACCURATE REPRESENTATION OF THE CONSTRUCTED FACILITY.
- PRIOR TO THE COMMENCEMENT OF ANY CONSTRUCTION AND/OR EXCAVATION IT SHALL BE THE RESPONSIBILITY OF THE OWNER'S REPRESENTATIVE TO VERIFY THE LOCATION AND STATUS OF ANY PIPING, ELECTRICAL EQUIPMENT OR BUILDINGS.
- ANY REVISIONS MADE TO EXISTING EQUIPMENT, PIPING OR ELECTRICAL ON A FACILITY NOT DESIGNED BY B.D.R. ENG. LTD. IS ONLY SHOWN AS A REPRESENTATION OF WHAT EXISTS AND MUST BE VERIFIED BY THE OWNER.

DRN.	BY	DATE
CHK.	PC	04.10.08
APP'D.		
L.S.D.	15-10-62-06 WSM	



FORT ENERGY CORPORATION		
CORBETT GAS PLANT AMINE TANK/REBOILER AREA ELECTRICAL LAYOUT		
SCALE	DRAWING NUMBER	REV
1 : 30	D-23212-E-03-012	3



CONT. ON DWG. S. 10-500 FOR CONTIN. SEE DWG. D-23212-E-03-012

BILL OF MATERIALS

1. 300mm x 75mm COPPER CLUB GROUND RODS c/w
- GROUND WELL;
- INSPECTION COVER;
- GROUND ROD (#2/0).
2. #2/0 CABLE TRAY BONDING CONNECTOR.
3. #2/0-#2/0 C-TAP SPLICE, INSTALLED c/w TAPE AND GLYPTOL SPRAY.
4. #2/0-#2 C-TAP SPLICE, INSTALLED c/w TAPE AND GLYPTOL SPRAY.
5. GROUNDING SERVITTE POST - #2/0.
6. BUILDING BONDING PLATE c/w #2 CRIMPLUG.
7. TRUCK GROUNDING CLAMP.
8. CABLE TRAY - ALUMINUM CLASS E w/ 150mm SIDE WALL LADDED SIZED AS PER DRAWING. INSTALL AS PER MAIN SPECIFICATIONS. TIE DOWN UTILIZING SLIDER TYPE TRAY CLAMPS.
9. T&B 390x BU BRASS PIPE GROUNDING CLAMP OR EQUIVALENT. (x - THE LAST NUMBER REPRESENTS PIPE SIZE.)
10. INSTRUMENT TRAY
11. -
12. CROUSE HINDS CEAG #GHG432KLM00SGT551211/2511 ESD PUSHBUTTON c/w RED SHROUD AND MIN. 4" x 6" ESD WARNING LAMICOID. CLASS I, ZONE 1, EXPLOSION PROOF.
13. NEMA 4 STEEL ENCLOSURE SIZED AS PER DRAWING c/w BACK PAN, TERMINAL BLOCKS AND MOUNTING HARDWARE.

NOTES:

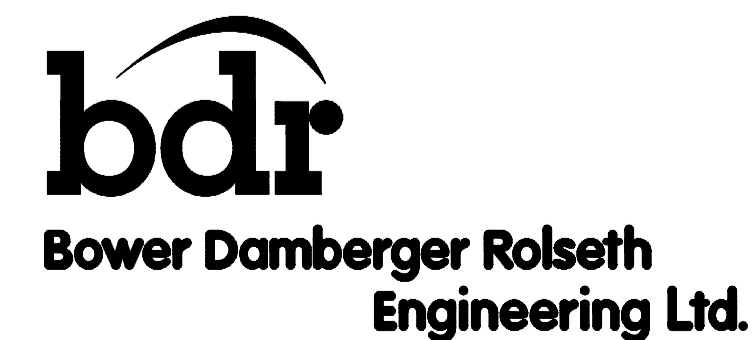
1. LAYOUT SHOWN ARE CONCEPTUAL ONLY. ACTUAL FIELD CONDITIONS WILL DICTATE FINAL ROUTINGS.

NO.	REVISION	PROJ. No.	BY	DATE	CHK.	DATE
3	POST CONSTRUCTION REVISIONS	43733	SM	05.02.02	ATB	05.02.02
2	ISSUED FOR CONSTRUCTION	43733	FC	04.10.27	ATB	04.11.01
1	ISSUED FOR FIELD BID	43733	FC	04.10.15	ATB	04.10.15
0	ISSUED FOR APPROVAL	43733	PC	04.10.08	ATB	04.10.08

PERMIT STAMP:	STAMP APPLIED TO REV. 2 ONLY
----------------------	------------------------------

GENERAL NOTES:	
1. "POST CONSTRUCTION DRAWINGS" ARE GENERATED FROM CONSTRUCTION CHANGE INFORMATION FORWARDED TO BOWER DAMBERGER ROLSETH ENGINEERING LTD. BY THE OWNER'S FIELD SUPERVISORS AND/OR FIELD CONTRACTORS. ANY CHANGES NOT DOCUMENTED WILL NOT APPEAR ON THE DRAWINGS AND THEREFORE THE DRAWING MAY NOT BE AN ACCURATE REPRESENTATION OF THE CONSTRUCTED FACILITY.	
2. PRIOR TO THE COMMENCEMENT OF ANY CONSTRUCTION AND/OR EXCAVATION IT SHALL BE THE RESPONSIBILITY OF THE OWNER'S REPRESENTATIVE TO VERIFY THE LOCATION AND STATUS OF ANY PIPING, ELECTRICAL EQUIPMENT OR BUILDINGS.	
3. ANY REVISIONS MADE TO EXISTING EQUIPMENT, PIPING OR ELECTRICAL ON A FACILITY NOT DESIGNED BY B.D.R. ENG. LTD. IS ONLY SHOWN AS A REPRESENTATION OF WHAT EXISTS AND MUST BE VERIFIED BY THE OWNER.	

DRN.	BY	DATE
CHK.	PC	04.10.08
APP'D.		
L.S.D.	15-10-62-06 WSM	



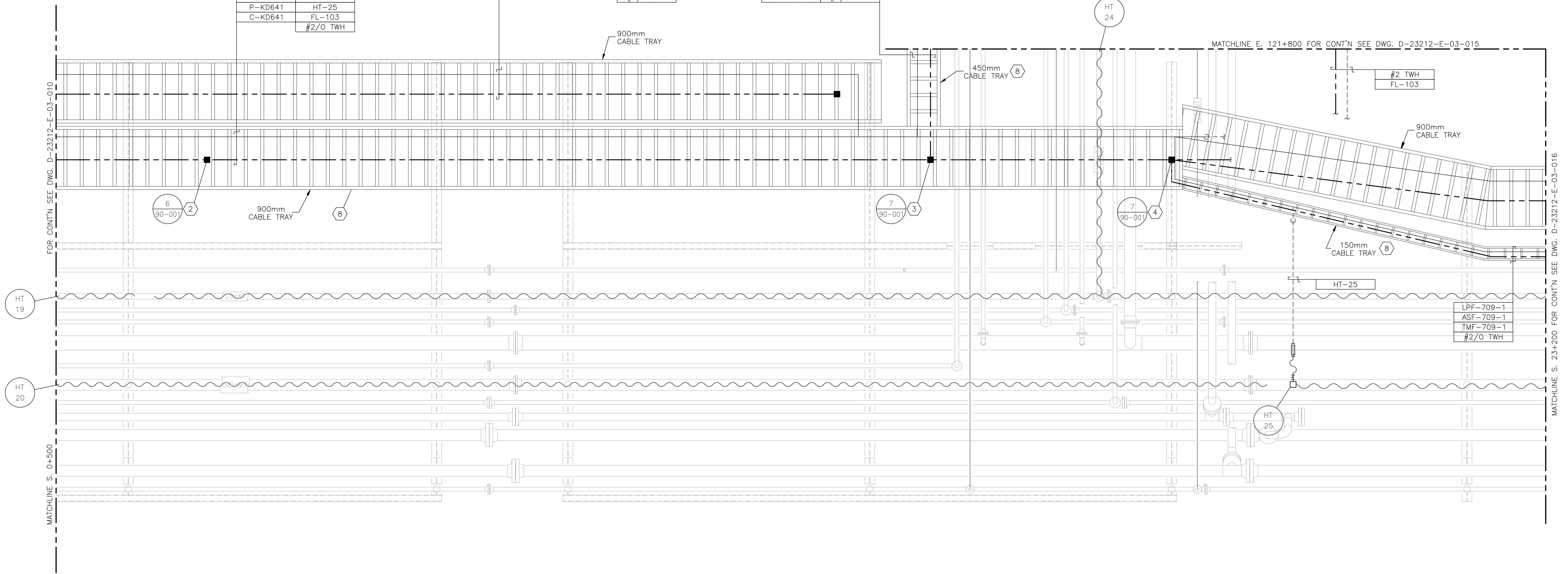
FORT ENERGY CORPORATION		
CORBETT GAS PLANT AMINE TANK FARM AREA ELECTRICAL LAYOUT		
SCALE	DRAWING NUMBER	REV
1 : 30	D-23212-E-03-013	3



P-E409A	LPF-640-1
C-E409A	ASF-640-1
P-E409B	ASF-640-2
C-E409B	TMF-640-1
P-UH604A	TMF-640-2
P-UH604B	LPF-709-1
P-P506	ASF-709-1
C-P506	TMF-709-1
P-KD641	HT-25
C-KD641	FL-103
	#2/O TWH

P-K609	P-E415A	LPF-690-1
C-K609	SC-E415A	ASF-690-1
P-P507	P-E415B	ASF-690-2
SC-P507	SC-E415B	ASF-690-3
P-P508	UH-609-1	TMF-690-1
SC-P508	UH-609-2	TMF-690-2
		COM-690-1
		#2/O TWH

P-E409A	P-KD641
C-E409A	C-KD641
P-E409B	LPF-640-1
C-E409B	ASF-640-1
P-UH640A	ASF-640-2
P-UH640B	TMF-640-1
P-P506	TMF-640-2
C-P506	#2/O TWH



BILL OF MATERIALS

- 300mm x 75mm COPPER CLUB GROUND RODS c/w - GROUND WELL; - INSPECTION COVER; - GROUND ROD (#2/O).
- #2/O CABLE TRAY BONDING CONNECTOR.
- #2/O-#2/O C-TAP SPLICE, INSTALLED c/w TAPE AND GLYPTOL SPRAY.
- #2/O-#2 C-TAP SPLICE, INSTALLED c/w TAPE AND GLYPTOL SPRAY.
- GROUNDING SERVITTE POST - #2/O.
- BUILDING BONDING PLATE c/w #2 CRIMPLUG.
- TRUCK GROUNDING CLAMP.
- CABLE TRAY - ALUMINUM CLASS E w/ 150mm SIDE WALL LADDED SIZED AS PER DRAWING. INSTALL AS PER MAIN SPECIFICATIONS. TIE DOWN UTILIZING SLIDER TYPE TRAY CLAMPS.
- T&B 390x BU BRASS PIPE GROUNDING CLAMP OR EQUIVALENT. (x - THE LAST NUMBER REPRESENTS PIPE SIZE.)
- INSTRUMENT TRAY
-
- CROUSE HINDS CEAG #GHG432KLM00SGT551211/2511 ESD PUSHBUTTON c/w RED SHROUD AND MIN. 4" x 6" ESD WARNING LAMICOID. CLASS 1, ZONE 1, EXPLOSION PROOF.
- NEMA 4 STEEL ENCLOSURE SIZED AS PER DRAWING c/w BACK PAN, TERMINAL BLOCKS AND MOUNTING HARDWARE.

NOTES:

- LAYOUT SHOWN ARE CONCEPTUAL ONLY. ACTUAL FIELD CONDITIONS WILL DICTATE FINAL ROUTINGS.
- SEE DRAWING E-09-002 FOR HEAT TRACING SCHEDULE.

NO.	REVISION	PROJECT	DSN	DRN	CHK'D	APP'D	DATE
7	POST CONSTRUCTION REVISIONS	43884	BGO	SRM			06.02.14
6	2005 EXPANSION ISSUED FOR CONSTRUCTION	43884	BGO	FC	BGO	RLB	05.10.19
5	2005 EXPANSION ISSUED FOR BID	43884	BGO	FC	BGO		05.09.26
4	2005 EXPANSION ISSUED FOR APPROVAL	43884	BGO	FC	BGO		05.09.06
3	POST CONSTRUCTION REVISIONS	43733	ATB	SM	ATB		05.02.02
2	ISSUED FOR CONSTRUCTION	43733	ATB	FC	ATB	WDS	04.11.01
1	ISSUED FOR FIELD BID	43733	ATB	FC	ATB		04.10.15
0	ISSUED FOR APPROVAL	43733	ATB	PC	ATB		04.10.08

PERMIT STAMP:	STAMP APPLIED TO REV. 6 ONLY
----------------------	------------------------------

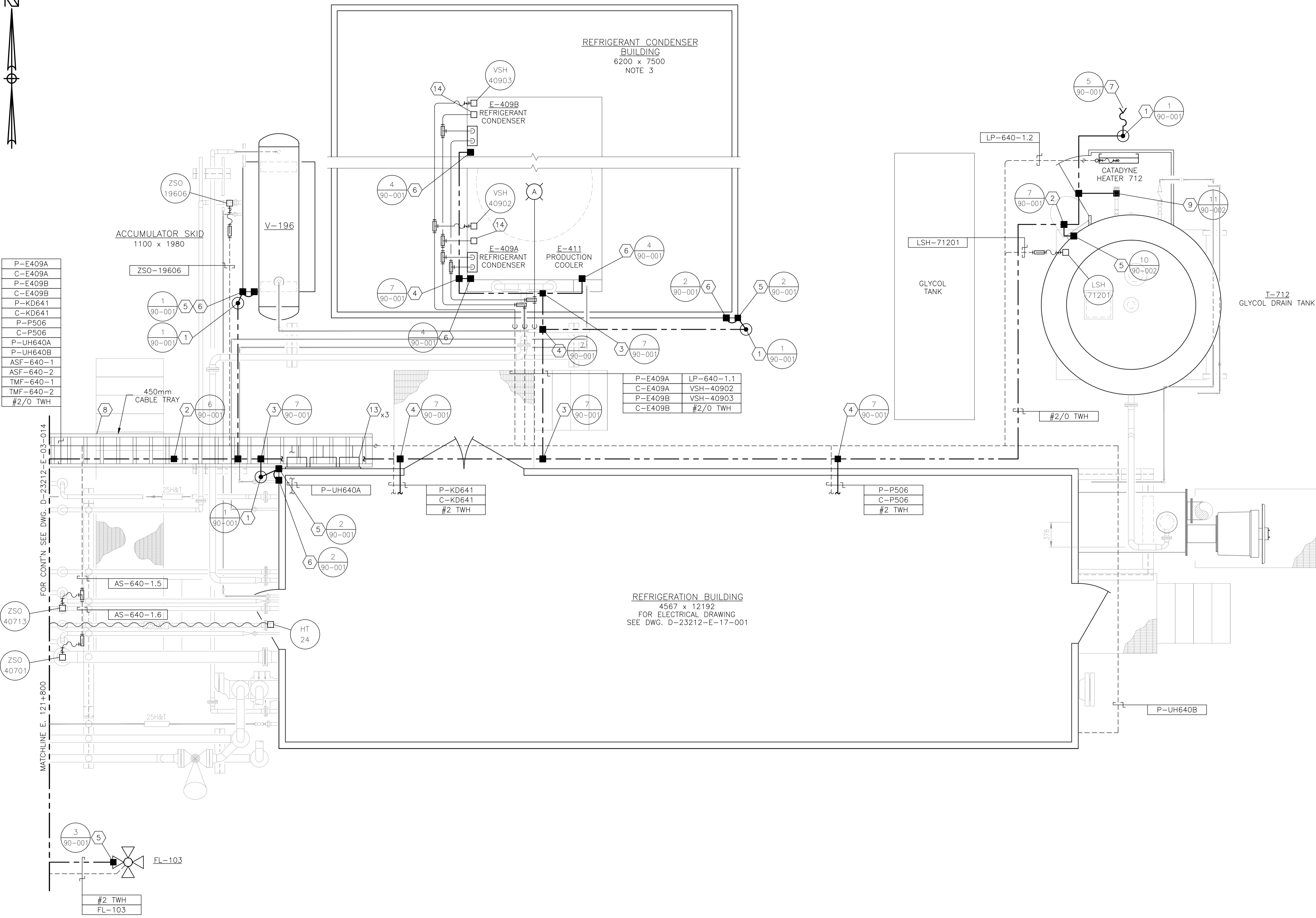
GENERAL NOTES:

1. "POST CONSTRUCTION DRAWINGS" ARE GENERATED FROM CONSTRUCTION CHANGE INFORMATION FORWARDED TO BOWER DAMBERGER ROLSETH ENGINEERING LTD. BY THE OWNER'S FIELD SUPERVISORS AND/OR FIELD CONTRACTORS. ANY CHANGES NOT DOCUMENTED WILL NOT APPEAR ON THE DRAWINGS AND THEREFORE THE DRAWING MAY NOT BE AN ACCURATE REPRESENTATION OF THE CONSTRUCTED FACILITY.
2. PRIOR TO THE COMMENCEMENT OF ANY CONSTRUCTION AND/OR EXCAVATION IT SHALL BE THE RESPONSIBILITY OF THE OWNER'S REPRESENTATIVE TO VERIFY THE LOCATION AND STATUS OF ANY PIPING, ELECTRICAL EQUIPMENT OR BUILDINGS.
3. ANY REVISIONS MADE TO EXISTING EQUIPMENT, PIPING OR ELECTRICAL ON A FACILITY NOT DESIGNED BY B.D.R. ENG. LTD. IS ONLY SHOWN AS A REPRESENTATION OF WHAT EXISTS AND MUST BE VERIFIED BY THE OWNER.

DESIGN	BY	DATE
DRAWN	ATB	04.10.08
CHK'D	PC	04.10.08
APP'D	BGO	05.10.19
L.S.D.	RLB	05.10.19
		15-10-62-06 WSM

Bower Damberger Rolseth Engineering Ltd.

FORT ENERGY CORPORATION		
CORBETT GAS PLANT REFRIGERANT PIPERACK AREA ELECTRICAL LAYOUT		
SCALE	DRAWING NUMBER	REV
1 : 30	D-23212-E-03-014	7



P-E409A
C-E409A
P-E409B
C-E409B
P-KD641
C-KD641
P-P506
C-P506
P-UH640A
P-UH640B
ASF-640-1
ASF-640-2
TMF-640-1
TMF-640-2
#2/O TWH

P-E409A	LP-640-1.1
C-E409A	VSH-40902
P-E409B	VSH-40903
C-E409B	#2/O TWH

P-P506
C-P506
#2 TWH

REFRIGERATION BUILDING
4567 x 12192
FOR ELECTRICAL DRAWING
SEE DWG. D-23212-E-17-001

BILL OF MATERIALS

- A. CROUSE HINDS #EVLPA143151 120V, 150W HIGH PRESSURE SODIUM, PENDANT MOUNT FIXTURE c/w GLOBE, GUARD AND LAMP. CLASS 1, ZONE 1 & 2, EXPLOSION PROOF.
1. 300mm x 75mm COPPER CLUB GROUND RODS c/w
- GROUND WELL;
- INSPECTION COVER;
- GROUND ROD (#2/0).
2. #2/0 CABLE TRAY BONDING CONNECTOR.
3. #2/0-#2/0 C-TAP SPLICE, INSTALLED c/w TAPE AND GLYPTOL SPRAY.
4. #2/0-#2 C-TAP SPLICE, INSTALLED c/w TAPE AND GLYPTOL SPRAY.
5. GROUNDING SERWITTE POST - #2/0.
6. BUILDING BONDING PLATE c/w #2 CRIMPLUG.
7. TRUCK GROUNDING CLAMP.
8. CABLE TRAY - ALUMINUM CLASS E w/ 150mm SIDE WALL LADDED SIZED AS PER DRAWING. INSTALL AS PER MAIN SPECIFICATIONS. TIE DOWN UTILIZING SLIDER TYPE TRAY CLAMPS.
9. T&B 390x BU BRASS PIPE GROUNDING CLAMP OR EQUIVALENT. (x - THE LAST NUMBER REPRESENTS PIPE SIZE.)
10. INSTRUMENT TRAY.
11. -
12. CROUSE HINDS CEAG #GHG432KLM00SGT551211/2511 ESD PUSHBUTTON c/w RED SHROUD AND MIN. 4" x 6" ESD WARNING LAMICOID. CLASS 1, ZONE 1, EXPLOSION PROOF.
13. NEMA 4 STEEL ENCLOSURE SIZED AS PER DRAWING c/w BACK PAN, TERMINAL BLOCKS AND MOUNTING HARDWARE.
14. CROUSE HINDS #DSD933 ON/OFF SWITCH, 277VAC, 20 AMPS MAX. SINGLE POLE. CLASS 1, DIV 1, EXPLOSION PROOF.

NOTES:

1. LAYOUT SHOWN ARE CONCEPTUAL ONLY. ACTUAL FIELD CONDITIONS WILL DICTATE FINAL ROUTINGS.
2. SEE DRAWING E-09-002 FOR HEAT TRACING SCHEDULE.
3. WIRING OF E-409 REFRIGERANT CONDENSER BUILDING IS TO BE DONE BY FIELD CONTRACTOR.

NO.	REVISION	PROJ. No.	BY	DATE	CHK.	DATE
3	POST CONSTRUCTION REVISIONS	43733	SM	05.02.02	ATB	05.02.02
2	ISSUED FOR CONSTRUCTION	43733	FC	04.10.27	ATB	04.11.01
1	ISSUED FOR FIELD BID	43733	FC	04.10.15	ATB	04.10.15
0	ISSUED FOR APPROVAL	43733	PC	04.10.08	ATB	04.10.08

PERMIT STAMP:	STAMP APPLIED TO REV. 2 ONLY
---------------	------------------------------

GENERAL NOTES:

1. "POST CONSTRUCTION DRAWINGS" ARE GENERATED FROM CONSTRUCTION CHANGE INFORMATION FORWARDED TO BOWER DAMBERGER ROLSETH ENGINEERING LTD. BY THE OWNER'S FIELD SUPERVISORS AND/OR FIELD CONTRACTORS. ANY CHANGES NOT DOCUMENTED WILL NOT APPEAR ON THE DRAWINGS AND THEREFORE THE DRAWING MAY NOT BE AN ACCURATE REPRESENTATION OF THE CONSTRUCTED FACILITY.
2. PRIOR TO THE COMMENCEMENT OF ANY CONSTRUCTION AND/OR EXCAVATION IT SHALL BE THE RESPONSIBILITY OF THE OWNER'S REPRESENTATIVE TO VERIFY THE LOCATION AND STATUS OF ANY PIPING, ELECTRICAL EQUIPMENT OR BUILDINGS.
3. ANY REVISIONS MADE TO EXISTING EQUIPMENT, PIPING OR ELECTRICAL ON A FACILITY NOT DESIGNED BY B.D.R. ENG. LTD. IS ONLY SHOWN AS A REPRESENTATION OF WHAT EXISTS AND MUST BE VERIFIED BY THE OWNER.

DRN.	BY	DATE
CHK.	PC	04.10.08
APP'D.		
L.S.D.	15-10-62-06 WSM	

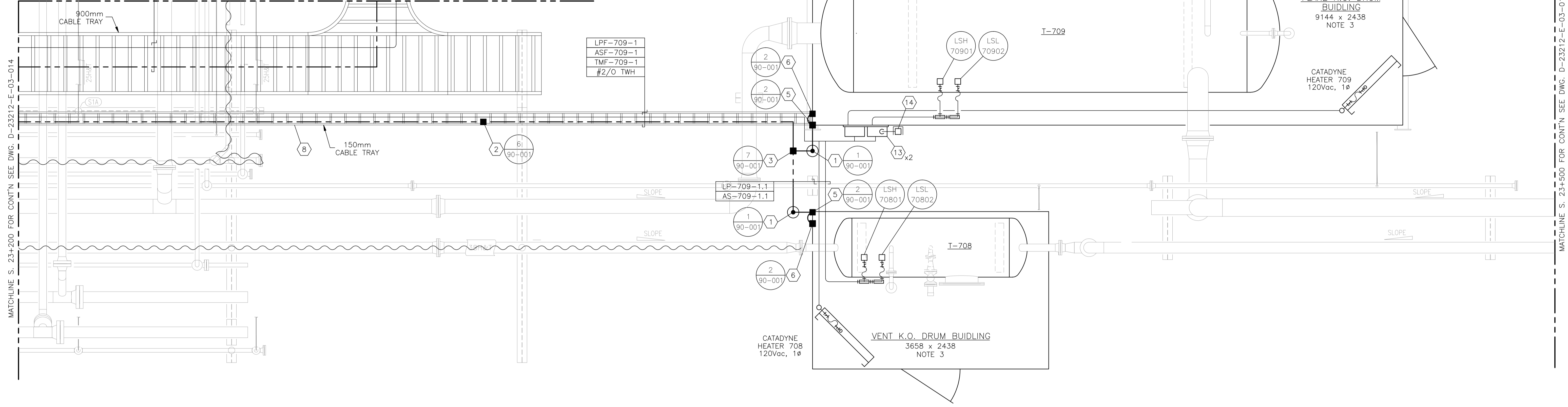


FORT ENERGY CORPORATION		
CORBETT GAS PLANT		
REFRIGERATION BUILDING AREA ELECTRICAL LAYOUT		
SCALE	DRAWING NUMBER	REV
1 : 30	D-23212-E-03-015	3



P-K609	P-E415A	LPF-690-1
C-K609	SC-E415A	ASF-690-1
P-P507	P-E415B	ASF-690-2
SC-P507	SC-E415B	ASF-690-3
P-P508	UH-609-1	TMF-690-1
SC-P508	UH-609-2	TMF-690-2
		COM-690-1
		#2/O TWH

MATCHLINE E. 120+500 FOR CONT'N SEE DWG. D-23212-E-03-018



LPF-709-1
ASF-709-1
TMF-709-1
#2/O TWH

LP-709-1.1
AS-709-1.1

BILL OF MATERIALS

- 300mm x 75mm COPPER CLUB GROUND RODS c/w
- GROUND WELL;
- INSPECTION COVER;
- GROUND ROD (#2/O).
- #2/O CABLE TRAY BONDING CONNECTOR.
- #2/O-#2/O C-TAP SPLICE, INSTALLED c/w TAPE AND GLYPTOL SPRAY.
- #2/O-#2 C-TAP SPLICE, INSTALLED c/w TAPE AND GLYPTOL SPRAY.
- GROUNDING SERVITTE POST - #2/O.
- BUILDING BONDING PLATE c/w #2 CRIMPLUG.
- TRUCK GROUNDING CLAMP.
- CABLE TRAY - ALUMINUM CLASS E w/ 150mm SIDE WALL LADDED SIZED AS PER DRAWING. INSTALL AS PER MAIN SPECIFICATIONS. TIE DOWN UTILIZING SLIDER TYPE TRAY CLAMPS.

- T&B 390x BU BRASS PIPE GROUNDING CLAMP OR EQUIVALENT. (x - THE LAST NUMBER REPRESENTS PIPE SIZE.)
- INSTRUMENT TRAY.
-
- CROUSE HINDS CEAG #GHG432KLM00SGT551211/2511 ESD PUSHBUTTON c/w RED SHROUD AND MIN. 4" x 6" ESD WARNING LAMICOID. CLASS I, ZONE 1, EXPLOSION PROOF.
- NEMA 4 STEEL ENCLOSURE SIZED AS PER DRAWING c/w BACK PAN, TERMINAL BLOCKS AND MOUNTING HARDWARE.
- CROUSE HINDS CEAG #GHG432KLM00SGT551211/2511 ESD PUSHBUTTON c/w RED SHROUD AND MIN. 4" x 6" ESD WARNING LAMICOID. CLASS I, ZONE 1, EXPLOSION PROOF.

NOTES:

- LAYOUT SHOWN ARE CONCEPTUAL ONLY. ACTUAL FIELD CONDITIONS WILL DICTATE FINAL ROUTINGS.
- SEE DRAWING E-09-002 FOR HEAT TRACING SCHEDULE.
- WIRING OF T-709 FLARE K.O. DRUM & T-708 VENT K.O. DRUM BUILDINGS ARE DONE BY FIELD CONTRACTOR.

NO.	REVISION	PROJECT	DSN	DRN	CHK'D	APP'D	DATE
7	POST CONSTRUCTION REVISIONS		43884	BGO	SRM		06.02.14
6	2005 EXPANSION ISSUED FOR CONSTRUCTION		43884	BGO	FC	RLB	05.10.19
5	2005 EXPANSION ISSUED FOR BID		43884	BGO	FC	BGO	05.09.26
4	2005 EXPANSION ISSUED FOR APPROVAL		43884	BGO	FC	BGO	05.09.06
3	POST CONSTRUCTION REVISIONS		43733	ATB	SM	ATB	05.02.02
2	ISSUED FOR CONSTRUCTION		43733	ATB	FC	ATB	04.11.01
1	ISSUED FOR FIELD BID		43733	ATB	FC	ATB	04.10.15
0	ISSUED FOR APPROVAL		43733	ATB	PC	ATB	04.10.08

PERMIT STAMP:						
STAMP APPLIED TO REV. 6 ONLY						

GENERAL NOTES:						
1. "POST CONSTRUCTION DRAWINGS" ARE GENERATED FROM CONSTRUCTION CHANGE INFORMATION FORWARDED TO BOWER DAMBERGER ROLSETH ENGINEERING LTD. BY THE OWNER'S FIELD SUPERVISORS AND/OR FIELD CONTRACTORS. ANY CHANGES NOT DOCUMENTED WILL NOT APPEAR ON THE DRAWINGS AND THEREFORE THE DRAWING MAY NOT BE AN ACCURATE REPRESENTATION OF THE CONSTRUCTED FACILITY.						
2. PRIOR TO THE COMMENCEMENT OF ANY CONSTRUCTION AND OR EXCAVATION IT SHALL BE THE RESPONSIBILITY OF THE OWNER'S REPRESENTATIVE TO VERIFY THE LOCATION AND STATUS OF ANY PIPING, ELECTRICAL EQUIPMENT OR BUILDINGS.						
3. ANY REVISIONS MADE TO EXISTING EQUIPMENT, PIPING OR ELECTRICAL ON A FACILITY NOT DESIGNED BY B.D.R. ENG. LTD. IS ONLY SHOWN AS A REPRESENTATION OF WHAT EXISTS AND MUST BE VERIFIED BY THE OWNER.						

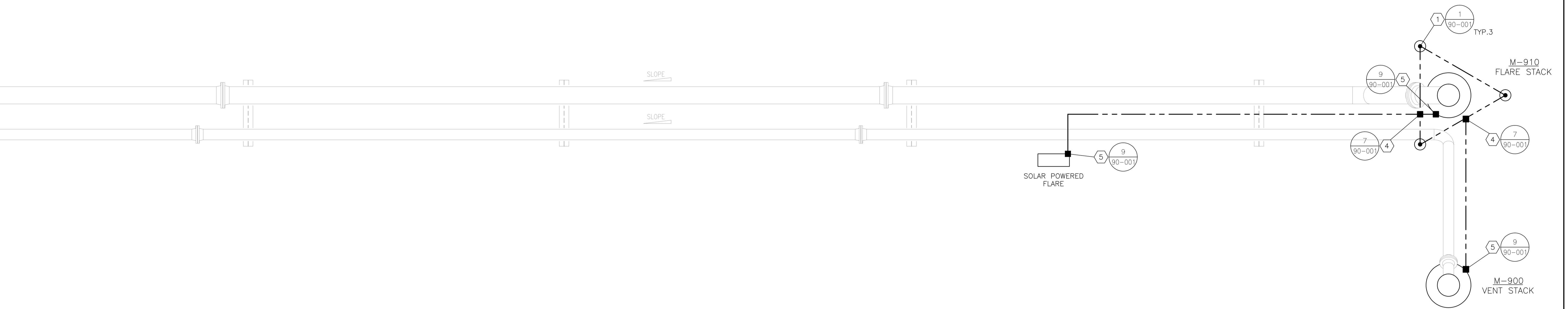
DESIGN	BY	DATE
DESIGN	ATB	04.10.08
DRAWN	PC	04.10.08
CHK'D	BGO	05.10.19
APP'D	RLB	05.10.19
L.S.D.		15-10-62-06 WSM

bdr		
Bower Damberger Rolseth Engineering Ltd.		

FORT ENERGY CORPORATION		
CORBETT GAS PLANT FLARE/VENT K.O. DRUM AREA ELECTRICAL LAYOUT		
SCALE	DRAWING NUMBER	REV
1 : 30	D-23212-E-03-016	7



MATCHLINE S. 23+500 FOR CONT'N. SEE DWG. D-23212-E-03-016



BILL OF MATERIALS

- | | |
|---|--|
| <ul style="list-style-type: none"> 1. 300mm x 75mm COPPER CLUB GROUND RODS c/w
- GROUND WELL;
- INSPECTION COVER;
- GROUND ROD (#2/0). 2. #2/0 CABLE TRAY BONDING CONNECTOR. 3. #2/0-#2/0 C-TAP SPLICE, INSTALLED c/w TAPE AND GLYPTOL SPRAY. 4. #2/0-#2 C-TAP SPLICE, INSTALLED c/w TAPE AND GLYPTOL SPRAY. 5. GROUNDING SERVITTE POST - #2/0. 6. BUILDING BONDING PLATE c/w #2 CRIMPLUG. 7. TRUCK GROUNDING CLAMP. 8. CABLE TRAY - ALUMINUM CLASS E w/ 150mm SIDE WALL LADDED SIZED AS PER DRAWING. INSTALL AS PER MAIN SPECIFICATIONS. TIE DOWN UTILIZING SLIDER TYPE TRAY CLAMPS. | <ul style="list-style-type: none"> 9. T&B 390x BU BRASS PIPE GROUNDING CLAMP OR EQUIVALENT. (x - THE LAST NUMBER REPRESENTS PIPE SIZE.) 10. INSTRUMENT TRAY. 11. - 12. CROUSE HINDS CEAG #GHG432KLM00SGT551211/2511 ESD PUSHBUTTON c/w RED SHROUD AND MIN. 4" x 6" ESD WARNING LAMICOID. CLASS I, ZONE 1, EXPLOSION PROOF. 13. NEMA 4 STEEL ENCLOSURE SIZED AS PER DRAWING c/w BACK PAN, TERMINAL BLOCKS AND MOUNTING HARDWARE. |
|---|--|
- NOTES:**
- LAYOUT SHOWN ARE CONCEPTUAL ONLY. ACTUAL FIELD CONDITIONS WILL DICTATE FINAL ROUTINGS.

NO.	REVISION	PROJ. No.	BY	DATE	CHK.	DATE
3	POST CONSTRUCTION REVISIONS	43733	SM	05.02.02	ATB	05.02.02
2	ISSUED FOR CONSTRUCTION	43733	FC	04.10.27	ATB	04.11.01
1	ISSUED FOR FIELD BID	43733	FC	04.10.15	ATB	04.10.15
0	ISSUED FOR APPROVAL	43733	PC	04.10.08	ATB	04.10.08

PERMIT STAMP:

STAMP APPLIED TO REV. 2 ONLY

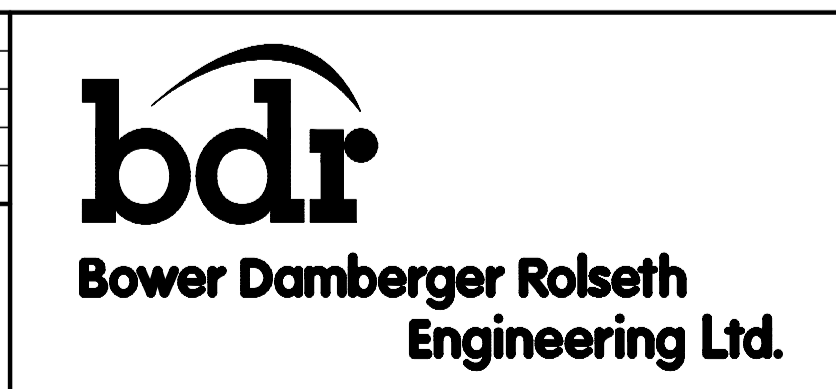
GENERAL NOTES:

1. "POST CONSTRUCTION DRAWINGS" ARE GENERATED FROM CONSTRUCTION CHANGE INFORMATION FORWARDED TO BOWER DAMBERGER ROLSETH ENGINEERING LTD. BY THE OWNER'S FIELD SUPERVISORS AND/OR FIELD CONTRACTORS. ANY CHANGES NOT DOCUMENTED WILL NOT APPEAR ON THE DRAWINGS AND THEREFORE THE DRAWING MAY NOT BE AN ACCURATE REPRESENTATION OF THE CONSTRUCTED FACILITY.

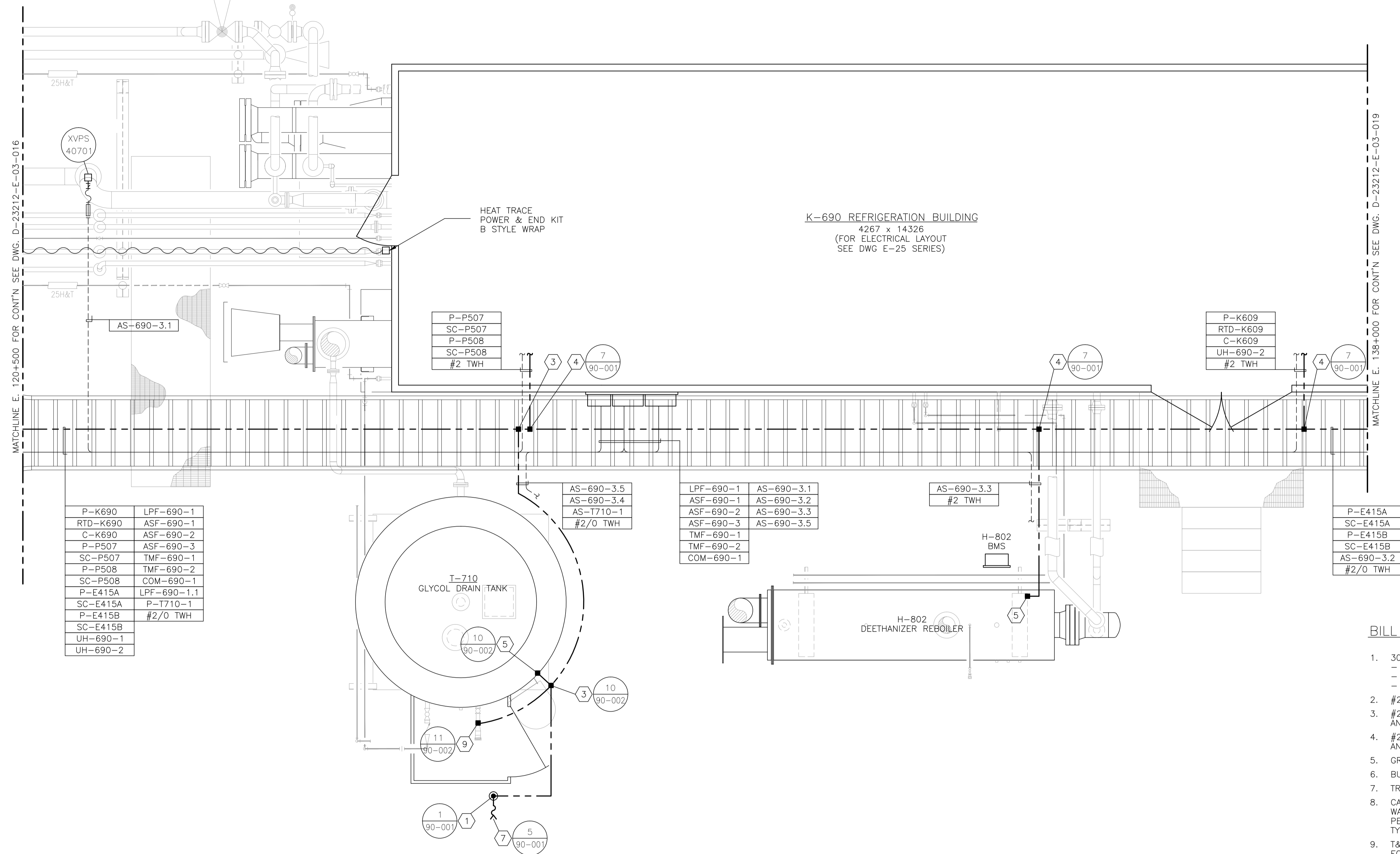
2. PRIOR TO THE COMMENCEMENT OF ANY CONSTRUCTION AND/OR EXCAVATION IT SHALL BE THE RESPONSIBILITY OF THE OWNER'S REPRESENTATIVE TO VERIFY THE LOCATION AND STATUS OF ANY PIPING, ELECTRICAL, EQUIPMENT OR BUILDINGS.

3. ANY REVISIONS MADE TO EXISTING EQUIPMENT, PIPING OR ELECTRICAL ON A FACILITY NOT DESIGNED BY B.D.R. ENG. LTD. IS ONLY SHOWN AS A REPRESENTATION OF WHAT EXISTS AND MUST BE VERIFIED BY THE OWNER.

	BY	DATE
DRN.	PC	04.10.08
CHK.		
APP'D.		
L.S.D.	15-10-62-06	WSM



FORT ENERGY CORPORATION		
CORBETT GAS PLANT FLARE/VENT STACK AREA ELECTRICAL LAYOUT		
SCALE	DRAWING NUMBER	REV
1 : 30	D-23212-E-03-017	3



K-690 REFRIGERATION BUILDING
 4267 x 14326
 (FOR ELECTRICAL LAYOUT
 SEE DWG E-25 SERIES)

MATCHLINE E. 120+500 FOR CONT'N SEE DWG. D-23212-E-03-016

MATCHLINE E. 138+000 FOR CONT'N SEE DWG. D-23212-E-03-019

P-K690	LPF-690-1
RTD-K690	ASF-690-1
C-K690	ASF-690-2
P-P507	ASF-690-3
SC-P507	TMF-690-1
P-P508	TMF-690-2
SC-P508	COM-690-1
P-E415A	LPF-690-1.1
SC-E415A	P-T710-1
P-E415B	#2/O TWH
SC-E415B	
UH-690-1	
UH-690-2	

P-P507
SC-P507
P-P508
SC-P508
#2 TWH

P-K609
RTD-K609
C-K609
UH-690-2
#2 TWH

LPF-690-1	AS-690-3.1
ASF-690-1	AS-690-3.2
ASF-690-2	AS-690-3.3
ASF-690-3	AS-690-3.5
TMF-690-1	
TMF-690-2	
COM-690-1	

P-E415A
SC-E415A
P-E415B
SC-E415B
AS-690-3.2
#2/O TWH

BILL OF MATERIALS

- 300mm x 75mm COPPER CLUB GROUND RODS c/w
 - GROUND WELL;
 - INSPECTION COVER;
 - GROUND ROD (#2/O).
- #2/O CABLE TRAY BONDING CONNECTOR.
- #2/O-#2/O C-TAP SPLICE, INSTALLED c/w TAPE AND GLYPTOL SPRAY.
- #2/O-#2 C-TAP SPLICE, INSTALLED c/w TAPE AND GLYPTOL SPRAY.
- GROUNDING SERVIT POST - #2/O.
- BUILDING BONDING PLATE c/w #2 CRIMPLUG.
- TRUCK GROUNDING CLAMP.
- CABLE TRAY - ALUMINUM CLASS E w/ 150mm SIDE WALL LADDED SIZED AS PER DRAWING. INSTALL AS PER MAIN SPECIFICATIONS. TIE DOWN UTILIZING SLIDER TYPE TRAY CLAMPS.
- T&B 390x BU BRASS PIPE GROUNDING CLAMP OR EQUIVALENT. (x - THE LAST NUMBER REPRESENTS PIPE SIZE.)
- INSTRUMENT TRAY.

NOTES:

- LAYOUT SHOWN ARE CONCEPTUAL ONLY. ACTUAL FIELD CONDITIONS WILL DICTATE FINAL ROUTINGS.
- SEE DRAWING E-09-002 FOR HEAT TRACING SCHEDULE.

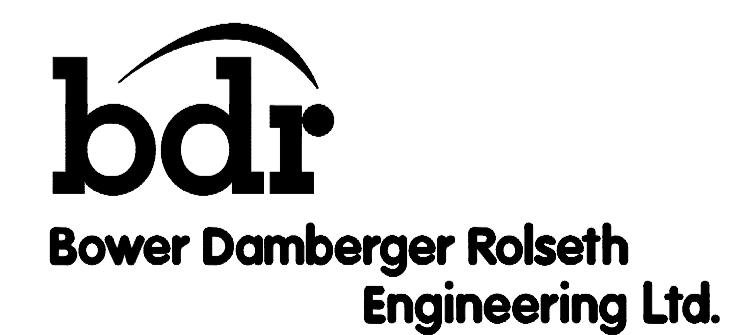
NO.	REVISION	PROJECT	DSN	DRN	CHK'D	APP'D	DATE
3	POST CONSTRUCTION REVISIONS	43884	BGO	SRM			06.02.14
2	2005 EXPANSION ISSUED FOR CONSTRUCTION	43884	BGO	FC	BGO	RLB	05.10.19
1	2005 EXPANSION ISSUED FOR BID	43884	BGO	FC	BGO		05.09.26
0	2005 EXPANSION ISSUED FOR APPROVAL	43884	BGO	FC	BGO		05.09.06

PERMIT STAMP:	STAMP APPLIED TO REV. 2 ONLY
----------------------	------------------------------

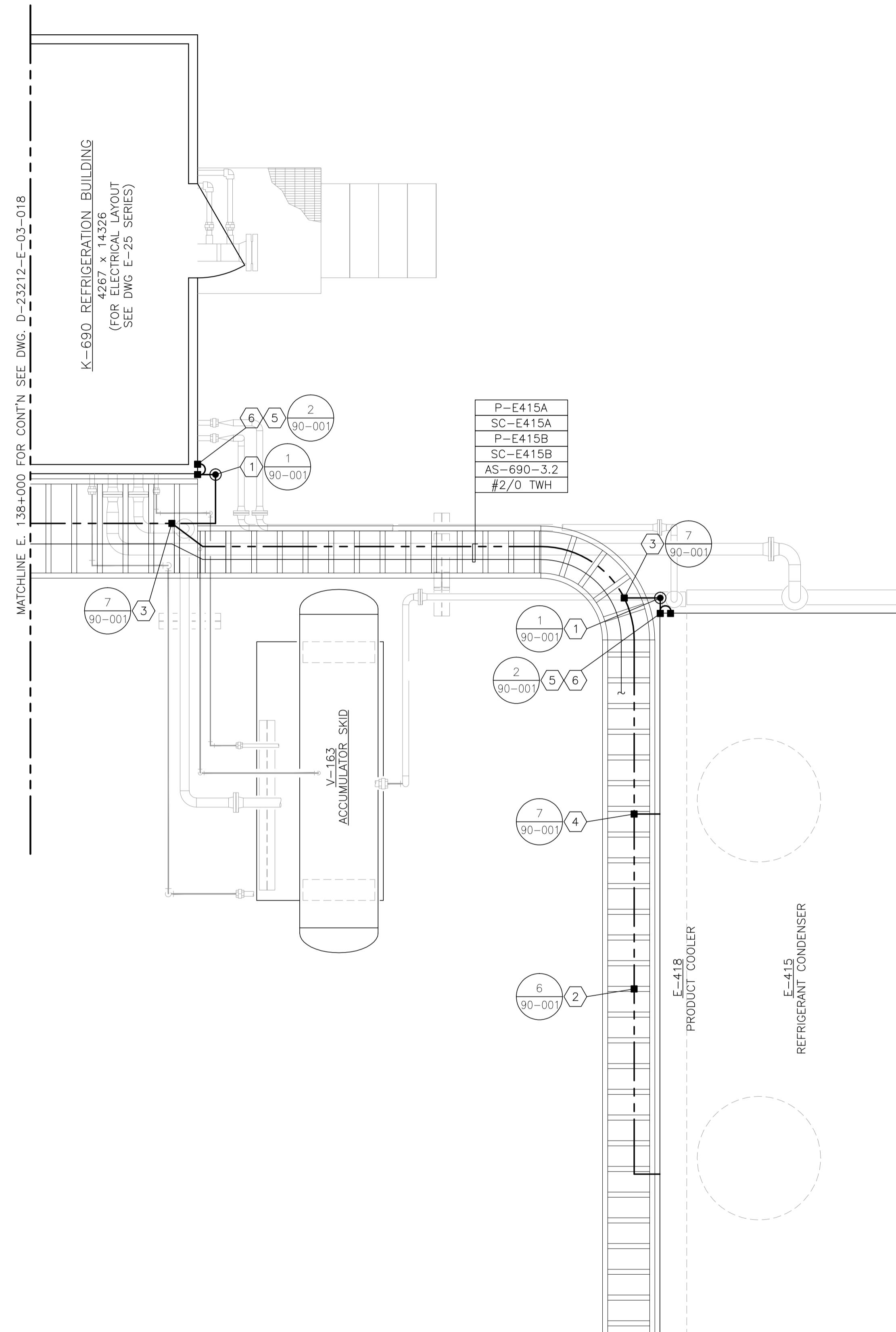
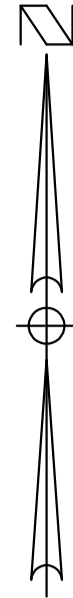
GENERAL NOTES:

- "POST CONSTRUCTION DRAWINGS" ARE GENERATED FROM CONSTRUCTION CHANGE INFORMATION FORWARDED TO BOWER DAMBERGER ROLSETH ENGINEERING LTD. BY THE OWNER'S FIELD SUPERVISORS AND/OR BIDDING CONTRACTORS. ANY CHANGES NOT DOCUMENTED WILL NOT APPEAR ON THE DRAWINGS AND THEREFORE THE DRAWING MAY NOT BE AN ACCURATE REPRESENTATION OF THE CONSTRUCTED FACILITY.
- PRIOR TO THE COMMENCEMENT OF ANY CONSTRUCTION AND/OR EXCAVATION IT SHALL BE THE RESPONSIBILITY OF THE OWNER'S REPRESENTATIVE TO VERIFY THE LOCATION AND STATUS OF ANY PIPING, ELECTRICAL, EQUIPMENT OR BUILDINGS.
- ANY REVISIONS MADE TO EXISTING EQUIPMENT, PIPING OR ELECTRICAL ON A FACILITY NOT DESIGNED BY B.D.R. ENG. LTD. IS ONLY SHOWN AS A REPRESENTATION OF WHAT EXISTS AND MUST BE VERIFIED BY THE OWNER.

	BY	DATE
DESIGN	BGO	05.08.29
DRAWN	FC	05.08.29
CHK'D	BGO	05.10.19
APP'D	RLB	05.10.19
L.S.D.	15-10-62-06	W5M



FORT ENERGY CORPORATION		
CORBETT GAS PLANT K-690 REFRIGERATION BUILDING ELECTRICAL LAYOUT		
SCALE	DRAWING NUMBER	REV
1 : 30	D-23212-E-03-018	3



BILL OF MATERIALS

- 300mm x 75mm COPPER CLUB GROUND RODS c/w
- GROUND WELL;
- INSPECTION COVER;
- GROUND ROD (#2/0).
- #2/0 CABLE TRAY BONDING CONNECTOR.
- #2/0-#2/0 C-TAP SPLICE, INSTALLED c/w TAPE AND GLYPTOL SPRAY.
- #2/0-#2 C-TAP SPLICE, INSTALLED c/w TAPE AND GLYPTOL SPRAY.
- GROUNDING SERVIT POST - #2/0.
- BUILDING BONDING PLATE c/w #2 CRIMPLUG.
- TRUCK GROUNDING CLAMP.
- CABLE TRAY - ALUMINUM CLASS E w/ 150mm SIDE WALL LADDLED SIZED AS PER DRAWING. INSTALL AS PER MAIN SPECIFICATIONS. TIE DOWN UTILIZING SLIDER TYPE TRAY CLAMPS.
- T&B 390x BU BRASS PIPE GROUNDING CLAMP OR EQUIVALENT. (x - THE LAST NUMBER REPRESENTS PIPE SIZE.)
- INSTRUMENT TRAY.

NOTES:

- LAYOUT SHOWN ARE CONCEPTUAL ONLY. ACTUAL FIELD CONDITIONS WILL DICTATE FINAL ROUTINGS.
- SEE DRAWING E-09-002 FOR HEAT TRACING SCHEDULE.

NO.	REVISION	PROJECT	DSN	DRN	CHK'D	APP'D	DATE
3	POST CONSTRUCTION REVISIONS	43884	BGO	SRM			06.02.14
2	2005 EXPANSION ISSUED FOR CONSTRUCTION	43884	BGO	FC	BGO	RLB	05.10.19
1	2005 EXPANSION ISSUED FOR BID	43884	BGO	FC	BGO		05.09.26
0	2005 EXPANSION ISSUED FOR APPROVAL	43884	BGO	FC	BGO		05.09.06

PERMIT STAMP:

STAMP APPLIED TO REV. 2 ONLY

GENERAL NOTES:

- "POST CONSTRUCTION DRAWINGS" ARE GENERATED FROM CONSTRUCTION CHANGE INFORMATION FORWARDED TO BOWER DAMBERGER ROLSETH ENGINEERING LTD. BY THE OWNER'S FIELD SUPERVISORS AND/OR BIDDING CONTRACTORS. ANY CHANGES NOT DOCUMENTED WILL NOT APPEAR ON THE DRAWINGS AND THEREFORE THE DRAWING MAY NOT BE AN ACCURATE REPRESENTATION OF THE CONSTRUCTED FACILITY.
- PRIOR TO THE COMMENCEMENT OF ANY CONSTRUCTION AND/OR EXCAVATION IT SHALL BE THE RESPONSIBILITY OF THE OWNER'S REPRESENTATIVE TO VERIFY THE LOCATION AND STATUS OF ANY PIPING, ELECTRICAL, EQUIPMENT OR BUILDINGS.
- ANY REVISIONS MADE TO EXISTING EQUIPMENT, PIPING OR ELECTRICAL ON A FACILITY NOT DESIGNED BY B.D.R. ENG. LTD. IS ONLY SHOWN AS A REPRESENTATION OF WHAT EXISTS AND MUST BE VERIFIED BY THE OWNER.

DESIGN	BY	DATE
BGO	BGO	05.08.29
FC	FC	05.08.29
BGO	BGO	05.10.19
RLB	RLB	05.10.19
L.S.D.		15-10-62-06 WSM

DESIGN	BY	DATE
BGO	BGO	05.08.29
FC	FC	05.08.29
BGO	BGO	05.10.19
RLB	RLB	05.10.19
L.S.D.		15-10-62-06 WSM



FORT ENERGY CORPORATION		
CORBETT GAS PLANT E-415 REFRIGERANT CONDENSER AREA ELECTRICAL LAYOUT		
SCALE	DRAWING NUMBER	REV
1 : 30	D-23212-E-03-019	3

CABLE SCHEDULE

DESCRIPTION			ROUTING		CABLE/CONDUCTOR DETAILS					
CABLE TAG	LENGTH (m)	APPLICATION	FROM	TO	CABLE SIZE	CABLE TYPE	CABLE OS DIAM.	CONNECTOR	VOLTAGE	NOTES
MF-1.0		MAIN FEEDER	UTILITY TRANSFORMER	480VAC MCC	3c#500kcmil X-LINK	H.L. TECK			480VAC	
MF-2.0		MAIN FEEDER	UTILITY TRANSFORMER	480VAC MCC	3c#500kcmil X-LINK	H.L. TECK			480VAC	
MF-3.0		MAIN FEEDER	UTILITY TRANSFORMER	480VAC MCC	3c#500kcmil X-LINK	H.L. TECK			480VAC	
NGR-1		NEUTRAL GROUND	UTILITY TRANSFORMER XO	NEUTRAL GROUND RESISTOR	2c#6 X-LINK	H.L. TECK			277VAC	NOTE 3
P-UH300A		POWER FEEDER	480VAC MCC	AMINE BLDG. UH-300A	3c#10 X-LINK	H.L. TECK			480VAC	
P-UH300B		POWER FEEDER	480VAC MCC	AMINE BLDG. UH-300B	3c#10 X-LINK	H.L. TECK			480VAC	
P-E403		POWER FEEDER	480VAC MCC	E-403 COOLER	3c#10/3c#14 X-LINK	H.L. TECK			480VAC	
P-E405		POWER FEEDER	480VAC MCC	AMINE E-405 CONDENSER	3c#10/3c#14 X-LINK	H.L. TECK			480VAC	
P-E409B		POWER FEEDER	480VAC MCC	REFRIDGE BLDG. P-E409B CONDENSER	3c#10/3c#14 X-LINK	H.L. TECK			480VAC	
P-P501A		POWER FEEDER	480VAC MCC	AMINE BLDG. P-501A PUMP	3c#10/3c#14 X-LINK	H.L. TECK			480VAC	
P-P501B		POWER FEEDER	480VAC MCC	AMINE BLDG. P-501B PUMP	3c#10/3c#14 X-LINK	H.L. TECK			480VAC	
P-P503A		POWER FEEDER	480VAC MCC	AMINE BLDG. P-503A PUMP	3c#10/3c#14 X-LINK	H.L. TECK			480VAC	
P-P503B		POWER FEEDER	480VAC MCC	AMINE BLDG. P-503B PUMP	3c#10/3c#14 X-LINK	H.L. TECK			480VAC	
P-P504		POWER FEEDER	480VAC MCC	AMINE BLDG. P-504 PUMP	3c#10/3c#14 X-LINK	H.L. TECK			480VAC	
P-P505		POWER FEEDER	480VAC MCC	AMINE BLDG. P-505 PUMP	3c#10/3c#14 X-LINK	H.L. TECK			480VAC	
P-UHUTIL1		POWER FEEDER	480VAC MCC	UTILIDOR UNIT HEATER UH-UTIL1	3c#10 X-LINK	H.L. TECK			480VAC	
P-UHUTIL2		POWER FEEDER	480VAC MCC	UTILIDOR UNIT HEATER UH-UTIL2	3c#10 X-LINK	H.L. TECK			480VAC	
P-UH640A		POWER FEEDER	480VAC MCC	REFRIDGE BLDG. UH-640A	3c#8 X-LINK	H.L. TECK			480VAC	
P-UH640B		POWER FEEDER	480VAC MCC	REFRIDGE BLDG. UH-640B	3c#8 X-LINK	H.L. TECK			480VAC	
P-KD641		POWER FEEDER	480VAC MCC	REFRIDGE BLDG. KD-641 COMP.	3c#1/0 X-LINK	H.L. TECK			480VAC	
P-E409A		POWER FEEDER	480VAC MCC	REFRIDGE BLDG. P-E409A CONDENSER	3c#10/3c#14 X-LINK	H.L. TECK			480VAC	
P-P506		POWER FEEDER	480VAC MCC	REFRIDGE BLDG. P-506 PUMP	3c#10/3c#14 X-LINK	H.L. TECK			480VAC	
SF-K660A-1		POWER FEEDER	480VAC MCC	E-BUS K-660A TRANSFER SWITCH	3c#8 X-LINK	H.L. TECK			480VAC	NOTE 4
SF-K660A-2		POWER FEEDER	E-BUS K-660A TRANSFER SWITCH	480VAC MCC	3c#8 X-LINK	H.L. TECK			480VAC	NOTE 4
SF-K660B-1		POWER FEEDER	480VAC MCC	E-BUS K-660A TRANSFER SWITCH	3c#8 X-LINK	H.L. TECK			480VAC	NOTE 4
SF-K660B-2		POWER FEEDER	E-BUS K-660A TRANSFER SWITCH	480VAC MCC	3c#8 X-LINK	H.L. TECK			480VAC	NOTE 4
SF-LPA/B-1		POWER FEEDER	480VAC MCC	E-BUS LPA/B TRANSFER SWITCH	3c#4 X-LINK	H.L. TECK			480VAC	NOTE 4
SF-LPA/B-2		POWER FEEDER	E-BUS LPA/B TRANSFER SWITCH	480VAC MCC	3c#4 X-LINK	H.L. TECK			480VAC	NOTE 4
SF-LPC-1		POWER FEEDER	480VAC MCC	E-BUS LPC TRANSFER SWITCH	3c#8 X-LINK	H.L. TECK			480VAC	NOTE 4
SF-LPC-2		POWER FEEDER	E-BUS LPC TRANSFER SWITCH	480VAC MCC	3c#8 X-LINK	H.L. TECK			480VAC	NOTE 4

- NOTES:**
- ALL CABLES ARE COPPER UNLESS OTHERWISE NOTED.
 - ALL CABLE TO BE SUPPLIED AND INSTALLED BY FIELD CONTRACTOR.
 - NEUTRAL GROUND WIRE MUST BE WHITE OR NATURAL GREY IN COLOUR IN ITS ENTIRE LENGTH AS PER CODE.
 - RELOCATE E-BUS SYSTEM TO INSTRUMENT AIR ROOM.

NO.	REVISION	PROJECT	DSN	DRN	CHK'D	APP'D	DATE
7	POST CONSTRUCTION REVISIONS	43884	BGO	SRM			06.02.14
6	2005 EXPANSION ISSUED FOR CONSTRUCTION	43884	BGO	FC	BGO	RLB	05.10.19
5	2005 EXPANSION ISSUED FOR BID	43884	BGO	FC	BGO		05.09.26
4	2005 EXPANSION ISSUED FOR APPROVAL	43884	BGO	FC	BGO		05.09.26
3	POST CONSTRUCTION REVISIONS	43733	ATB	SM	ATB		05.02.02
2	ISSUED FOR CONSTRUCTION	43733	ATB	FC	ATB	WDS	04.11.01
1	ISSUED FOR FIELD BID	43733	ATB	FC	ATB		04.10.15
0	ISSUED FOR APPROVAL	43733	ATB	SM	ATB		04.10.07

PERMIT STAMP:	STAMP APPLIED TO REV. 6 ONLY
----------------------	------------------------------

GENERAL NOTES:

- "POST CONSTRUCTION DRAWINGS" ARE GENERATED FROM CONSTRUCTION CHANGE INFORMATION FORWARDED TO BOWER DAMBERGER ROLSETH ENGINEERING LTD. BY THE OWNER'S FIELD SUPERVISORS AND/OR FIELD CONTRACTORS. ANY CHANGES NOT DOCUMENTED WILL NOT APPEAR ON THE DRAWINGS AND THEREFORE THE DRAWING MAY NOT BE AN ACCURATE REPRESENTATION OF THE CONSTRUCTED FACILITY.
- PRIOR TO THE COMMENCEMENT OF ANY CONSTRUCTION AND/OR EXCAVATION IT SHALL BE THE RESPONSIBILITY OF THE OWNER'S REPRESENTATIVE TO VERIFY THE LOCATION AND STATUS OF ANY PIPING, ELECTRICAL EQUIPMENT OR BUILDINGS.
- ANY REVISIONS MADE TO EXISTING EQUIPMENT, PIPING OR ELECTRICAL ON A FACILITY NOT DESIGNED BY B.D.R. ENG. LTD. IS ONLY SHOWN AS A REPRESENTATION OF WHAT EXISTS AND MUST BE VERIFIED BY THE OWNER.

	BY	DATE
DESIGN	ATB	04.10.07
DRAWN	SM	04.10.07
CHK'D	BGO	05.10.19
APP'D	RLB	05.10.19
L.S.D.	15-10-62-06 WSM	



FORT ENERGY CORPORATION		
CORBETT GAS PLANT 480VAC CABLE & CONDUIT SCHEDULE		
SCALE	DRAWING NUMBER	REV
N/A	D-23212-E-03-301	7

CABLE SCHEDULE

DESCRIPTION			ROUTING		CABLE/CONDUCTOR DETAILS					
CABLE TAG	APPROXIMATED LENGTH (m)	APPLICATION	FROM	TO	CABLE SIZE	CABLE TYPE	CABLE OS DIAM. (mm)	CONNECTOR	VOLTAGE	NOTES
P-E412		MOTOR FEEDER	480VAC MCC-1	E-412 K-670 COMPRESSOR COOLER FAN	3c#4 X-LINK	H.L. TECK			480VAC	
SC-E412		MOTOR SPEED CONTROL	480VAC MCC-1	E-412 K-670 COMPRESSOR COOLER FAN	4TR#16 IND. SHIELD	ACIC			VFD POWER	
P-E413		MOTOR FEEDER	480VAC MCC-1	E-413 K-680 COMPRESSOR COOLER FAN	3c#4 X-LINK	H.L. TECK			480VAC	
SC-E413		MOTOR SPEED CONTROL	480VAC MCC-1	E-413 K-680 COMPRESSOR COOLER FAN	4TR#16 IND. SHIELD	ACIC			VFD POWER	
UH-670-1		POWER FEEDER	480VAC MCC-1	K-670 COMPRESSOR BLDG. UNIT HEATER UH-67001	3c#8 X-LINK	H.L. TECK			480VAC	
UH-670-2		POWER FEEDER	480VAC MCC-1	K-670 COMPRESSOR BLDG. UNIT HEATER UH-67002	3c#8 X-LINK	H.L. TECK			480VAC	
UH-680-1		POWER FEEDER	480VAC MCC-1	K-680 COMPRESSOR BLDG. UNIT HEATER UH-68001	3c#8 X-LINK	H.L. TECK			480VAC	
UH-680-2		POWER FEEDER	480VAC MCC-1	K-680 COMPRESSOR BLDG. UNIT HEATER UH-68002	3c#8 X-LINK	H.L. TECK			480VAC	
P-K690		MOTOR FEEDER	480VAC MCC-1	K-690 REFRIGERANT COMPRESSOR	3c#4/0 X-LINK	H.L. TECK			480VAC	
C-K690		MOTOR CONTROL	480VAC MCC-1	K-690 REFRIGERANT COMPRESSOR	6c#14 X-LINK	H.L. TECK			120VAC	
RTD-K690		MOTOR THERMAL PROTECTION	480VAC MCC-1	K-690 REFRIGERANT COMPRESSOR	8TR#16 IND. SHIELD	H.L. TECK			24VDC	
P-E415A		MOTOR FEEDER	480VAC MCC-1	E-415A REFRIGERANT CONDENSER #1	3c#8 X-LINK	H.L. TECK			480VAC	
SC-E415A		MOTOR SPEED CONTROL	480VAC MCC-1	E-415A REFRIGERANT CONDENSER #1	4TR#16 IND. SHIELD	ACIC			24VDC	
P-E415B		MOTOR FEEDER	480VAC MCC-1	E-415B REFRIGERANT CONDENSER #1	3c#8 X-LINK	H.L. TECK			480VAC	
SC-E415B		MOTOR SPEED CONTROL	480VAC MCC-1	E-415B REFRIGERANT CONDENSER #1	4TR#16 IND. SHIELD	ACIC			24VDC	
P-P507		MOTOR FEEDER	480VAC MCC-1	P-507 GLYCOL INJECTION PUMP	3c#10 X-LINK	H.L. TECK			480VAC	
SC-P507		MOTOR SPEED CONTROL	480VAC MCC-1	P-507 GLYCOL INJECTION PUMP	4TR#16 IND. SHIELD	ACIC			24VDC	
P-P508		MOTOR FEEDER	480VAC MCC-1	P-508 GLYCOL INJECTION PUMP	3c#10 X-LINK	H.L. TECK			480VAC	
SC-P508		MOTOR SPEED CONTROL	480VAC MCC-1	P-508 GLYCOL INJECTION PUMP	4TR#16 IND. SHIELD	ACIC			24VDC	
UH-690-1		POWER FEEDER	480VAC MCC-1	K-690 REFRIGERATION BLDG. UNIT HEATER UH-69001	3c#8 X-LINK	H.L. TECK			480VAC	
UH-690-2		POWER FEEDER	480VAC MCC-1	K-690 REFRIGERATION BLDG. UNIT HEATER UH-69002	3c#8 X-LINK	H.L. TECK			480VAC	
P-T710-1		POWER FEEDER	480VAC MCC-1	T-710 IMMERSION HEATER	3c#10 X-LINK	H.L. TECK			480VAC	

NO.	REVISION	PROJECT	DSN	DRN	CHK'D	APP'D	DATE
3	POST CONSTRUCTION REVISIONS	43884	BGO	SRM			06.02.14
2	2005 EXPANSION ISSUED FOR CONSTRUCTION	43884	BGO	FC	BGO	RLB	05.10.19
1	2005 EXPANSION ISSUED FOR BID	43884	BGO	FC	BGO		05.09.26
0	2005 EXPANSION ISSUED FOR APPROVAL	43884	BGO	FC	BGO		05.09.06

PERMIT STAMP:

STAMP APPLIED TO REV. 2 ONLY

GENERAL NOTES:

1. "POST CONSTRUCTION DRAWINGS" ARE GENERATED FROM CONSTRUCTION CHANGE INFORMATION FORWARDED TO BOWER DAMBERGER ROLSETH ENGINEERING LTD. BY THE OWNER'S FIELD SUPERVISORS AND/OR MISC CONTRACTORS. ANY CHANGES NOT DOCUMENTED WILL NOT APPEAR ON THE DRAWINGS AND THEREFORE THE DRAWING MAY NOT BE AN ACCURATE REPRESENTATION OF THE CONSTRUCTED FACILITY.

2. PRIOR TO THE COMMENCEMENT OF ANY CONSTRUCTION AND/OR EXCAVATION IT SHALL BE THE RESPONSIBILITY OF THE OWNER'S REPRESENTATIVE TO VERIFY THE LOCATION AND STATUS OF ANY PIPING, ELECTRICAL EQUIPMENT OR BUILDINGS.

3. ANY REVISIONS MADE TO EXISTING EQUIPMENT, PIPING OR ELECTRICAL ON A FACILITY NOT DESIGNED BY B.D.R. ENG. LTD. IS ONLY SHOWN AS A REPRESENTATION OF WHAT EXISTS AND MUST BE VERIFIED BY THE OWNER.

DESIGN	BY	DATE
DRAWN	BGO	05.08.24
CHK'D	FC	05.08.24
APP'D	BGO	05.10.19
L.S.D.	RLB	05.10.19
		15-10-62-06 WSM



FORT ENERGY CORPORATION		
CORBETT GAS PLANT 480VAC POWER & MOTOR CABLE & CONDUIT SCHEDULE		
SCALE N/A	DRAWING NUMBER D-23212-E-03-302	REV 3

CABLE SCHEDULE

DESCRIPTION			ROUTING		CABLE/CONDUCTOR DETAILS					
CABLE TAG	LENGTH (m)	APPLICATION	FROM	TO	CABLE SIZE	CABLE TYPE	CABLE OS DIAM.	CONNECTOR	VOLTAGE	NOTES
LPF-180-1		120VAC UTILITIES	MCC BLDG.	V-180 INLET SEPARATOR BLDG. J.BOX JBL-180	40c#6 X-LINK	H.L. TECK			120VAC	
LP-180-1.1		120VAC UTILITIES	INLET SEPARATOR BLDG. JBL-180	HEAT TRACE HT-1	12c#6 X-LINK	H.L. TECK			120VAC	
LP-180-1.2		120VAC UTILITIES	HEAT TRACE HT-1	HEAT TRACE HT-5	10c#6 X-LINK	H.L. TECK			120VAC	
LP-180-1.3		120VAC UTILITIES	HEAT TRACE HT-5	HEAT TRACE HT-6	8c#6 X-LINK	H.L. TECK			120VAC	
LP-180-1.4		120VAC UTILITIES	HEAT TRACE HT-6	HEAT TRACE HT-7	6c#6 X-LINK	H.L. TECK			120VAC	
LP-180-1.5		120VAC UTILITIES	HEAT TRACE HT-7	HEAT TRACE HT-28	4c#6 X-LINK	H.L. TECK			120VAC	
LP-180-1.6		120VAC UTILITIES	HEAT TRACE HT-28	HEAT TRACE HT-8	2c#6 X-LINK	H.L. TECK			120VAC	
LPF-182-1		120VAC UTILITIES	MCC BLDG.	V-182 BLOWCASE BLDG. J.BOX JBL-182	25c#8 X-LINK	H.L. TECK			120VAC	
LP-182-1.1		120VAC UTILITIES	V-182 BLOWCASE BLDG. J.BOX JBL-182	HEAT TRACE HT-9	4c#8 X-LINK	H.L. TECK			120VAC	
LP-182-1.2		120VAC UTILITIES	HEAT TRACE HT-9	HEAT TRACE HT-10	2c#8 X-LINK	H.L. TECK			120VAC	
LPF-620-1		120VAC UTILITIES	MCC BLDG.	K-620 PROCESS COMP. BLDG. J.BOX JBL-620	30c#8 X-LINK	H.L. TECK			120VAC	
LP-620-1.1		120VAC UTILITIES	K-620 PROCESS COMP. BLDG. J.BOX JBL-620	HEAT TRACE HT-13	8c#8 X-LINK	H.L. TECK			120VAC	
LP-620-1.2		120VAC UTILITIES	HEAT TRACE HT-13	HEAT TRACE HT-14	2c#8 X-LINK	H.L. TECK			120VAC	
LP-620-1.3		120VAC UTILITIES	HEAT TRACE HT-13	HEAT TRACE HT-29	4c#8 X-LINK	H.L. TECK			120VAC	
LP-620-1.4		120VAC UTILITIES	HEAT TRACE HT-29	HEAT TRACE HT-30	2c#8 X-LINK	H.L. TECK			120VAC	
LPF-630-1		120VAC UTILITIES	MCC BLDG.	K-630 PROCESS COMP. BLDG. J.BOX JBL-630	30c#8 X-LINK	H.L. TECK			120VAC	NOTE 4
LP-630-1.1		120VAC UTILITIES	K-630 PROCESS COMP. BLDG. J.BOX JBL-630	HEAT TRACE HT-16	8c#8 X-LINK	H.L. TECK			120VAC	NOTE 5
LPF-HT		120VAC UTILITIES	MCC BLDG.	HEAT TRACE HT-16,17,31,32	8c#10 X-LINK	H.L. TECK			120VAC	
LP-630-1.2		120VAC UTILITIES	HEAT TRACE HT-16	HEAT TRACE HT-17	2c#8 X-LINK	H.L. TECK			120VAC	
LP-630-1.3		120VAC UTILITIES	HEAT TRACE HT-16	HEAT TRACE HT-31	4c#8 X-LINK	H.L. TECK			120VAC	
LP-630-1.4		120VAC UTILITIES	HEAT TRACE HT-31	HEAT TRACE HT-32	2c#8 X-LINK	H.L. TECK			120VAC	
LPF-650-1		120VAC UTILITIES	MCC BLDG.	K-650 BOOSTER COMP. BLDG. J.BOX JBL-650	25c#10 X-LINK	H.L. TECK			120VAC	
LPF-300-1		120VAC UTILITIES	MCC BLDG.	C-300 AMINE BLDG. J.BOX JBL-300	30c#10 X-LINK	H.L. TECK			120VAC	
LPF-403-1		120VAC UTILITIES	MCC BLDG.	E-403 AMINE COOLER BLDG. INSIDE LIGHTS	2c#10 X-LINK	H.L. TECK			120VAC	
LPF-640-1		120VAC UTILITIES	MCC BLDG.	K-640 REFRIGE BLDG. J.BOX JBL-640	25c#8 X-LINK	H.L. TECK			120VAC	
LP-640-1.1		120VAC UTILITIES	K-640 REFRIGE BLDG. J.BOX JBL-640	E-409 CONDENSATE BLDG. INSIDE LIGHTS	2c#8 X-LINK	H.L. TECK			120VAC	
LP-640-1.2		120VAC UTILITIES	K-640 REFRIGE BLDG. J.BOX JBL-640	T-712 GLYCOL TANK CATADYNE HEATER	2c#8 X-LINK	H.L. TECK			120VAC	
LPF-701-1		120VAC UTILITIES	MCC BLDG.	T-701 NORTH TANK FARM AREA J.BOX JBL-708	15c#6 X-LINK	H.L. TECK			120VAC	
LP-702-1.1		120VAC UTILITIES	T-701 NORTH TANK FARM AREA J.BOX JBL-701	CATADYNE HEATER 702	2c#6 X-LINK	H.L. TECK			120VAC	

- NOTES:**
- ALL CABLES ARE COPPER UNLESS OTHERWISE NOTED.
 - ALL CABLE TO BE SUPPLIED AND INSTALLED BY FIELD CONTRACTOR.
 - NEUTRAL GROUND WIRE MUST BE WHITE OR NATURAL GREY IN COLOUR IN ITS ENTIRE LENGTH AS PER CODE.
 - CABLES TO BE TAGGED, BAGGED, AND LEFT SPARE IN CABLE TRAY.
 - CABLES TO BE REMOVED.

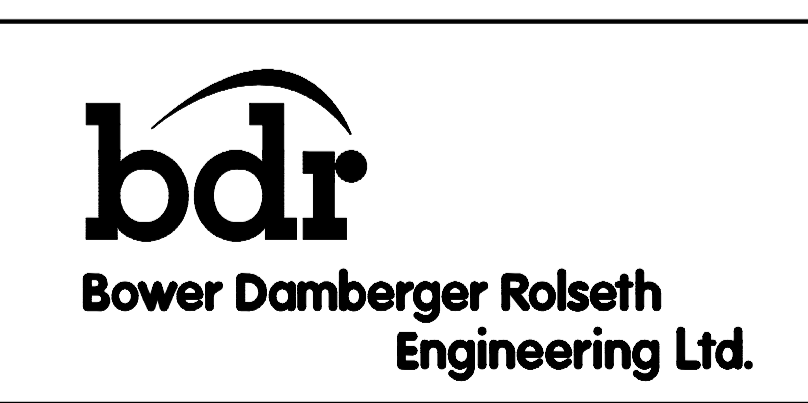
NO.	REVISION	PROJECT	DSN	DRN	CHK'D	APP'D	DATE
7	POST CONSTRUCTION REVISIONS	43884	BGO	SRM			06.02.14
6	2005 EXPANSION ISSUED FOR CONSTRUCTION	43884	BGO	FC	BGO	RLB	05.10.19
5	2005 EXPANSION ISSUED FOR BID	43884	BGO	FC	BGO		05.09.26
4	2005 EXPANSION ISSUED FOR APPROVAL	43884	BGO	FC	BGO		05.09.26
3	POST CONSTRUCTION REVISIONS	43733	ATB	SM	ATB		05.02.02
2	ISSUED FOR CONSTRUCTION	43733	ATB	FC	ATB	WDS	04.11.01
1	ISSUED FOR FIELD BID	43733	ATB	FC	ATB		04.10.15
0	ISSUED FOR APPROVAL	43733	ATB	SM	ATB		04.10.07

PERMIT STAMP:	STAMP APPLIED TO REV. 6 ONLY
----------------------	------------------------------

GENERAL NOTES:

- "POST CONSTRUCTION DRAWINGS" ARE GENERATED FROM CONSTRUCTION CHANGE INFORMATION FORWARDED TO BOWER DAMBERGER ROLSETH ENGINEERING LTD. BY THE OWNER'S FIELD SUPERVISORS AND/OR FIELD CONTRACTORS. ANY CHANGES NOT DOCUMENTED WILL NOT APPEAR ON THE DRAWINGS AND THEREFORE THE DRAWING MAY NOT BE AN ACCURATE REPRESENTATION OF THE CONSTRUCTED FACILITY.
- PRIOR TO THE COMMENCEMENT OF ANY CONSTRUCTION AND/OR EXCAVATION IT SHALL BE THE RESPONSIBILITY OF THE OWNER'S REPRESENTATIVE TO VERIFY THE LOCATION AND STATUS OF ANY PIPING, ELECTRICAL, EQUIPMENT OR BUILDINGS.
- ANY REVISIONS MADE TO EXISTING EQUIPMENT, PIPING OR ELECTRICAL ON A FACILITY NOT DESIGNED BY B.D.R. ENG. LTD. IS ONLY SHOWN AS A REPRESENTATION OF WHAT EXISTS AND MUST BE VERIFIED BY THE OWNER.

	BY	DATE
DESIGN	ATB	04.10.07
DRAWN	SM	04.10.07
CHK'D	BGO	05.10.19
APP'D	RLB	05.10.19
L.S.D.		15-10-62-06 WSM



FORT ENERGY CORPORATION		
CORBETT GAS PLANT 120VAC CABLE & CONDUIT SCHEDULE		
SCALE	DRAWING NUMBER	REV
N/A	D-23212-E-03-401	7

CABLE SCHEDULE

DESCRIPTION			ROUTING		CABLE/CONDUCTOR DETAILS					
CABLE TAG	LENGTH (m)	APPLICATION	FROM	TO	CABLE SIZE	CABLE TYPE	CABLE OS DIAM.	CONNECTOR	VOLTAGE	NOTES
LPF-711-1		120VAC UTILITIES	MCC BLDG.	T-711 SOUTH TANK FARM AREA J.BOX JBL-711	15c#8 X-LINK	H.L. TECK			120VAC	
LP-711-1.1		120VAC UTILITIES	T-711 SOUTH TANK FARM AREA J.BOX JBL-711	E-405 COOLER INSIDE LIGHTS	2c#8 X-LINK	H.L. TECK			120VAC	
LP-711-1.2		120VAC UTILITIES	T-711 SOUTH TANK FARM AREA J.BOX JBL-711	CATADYNE HEATER 711	2c#8 X-LINK	H.L. TECK			120VAC	
LP-711-1.3		120VAC UTILITIES	T-711 SOUTH TANK FARM AREA J.BOX JBL-711	CATADYNE HEATER 703	2c#8 X-LINK	H.L. TECK			120VAC	
LP-711-1.4		120VAC UTILITIES	T-711 SOUTH TANK FARM AREA J.BOX JBL-711	CATADYNE HEATER 704	2c#8 X-LINK	H.L. TECK			120VAC	
LP-711-1.5		120VAC UTILITIES	T-711 SOUTH TANK FARM AREA J.BOX JBL-711	CATADYNE HEATER 705	2c#8 X-LINK	H.L. TECK			120VAC	
LPF-709-1		120VAC UTILITIES	MCC BLDG.	T-709 FLARE K.O. DRUM BLDG. J.BOX JBL-709	10c#10 X-LINK	H.L. TECK			120VAC	
LP-709-1.1		120VAC UTILITIES	T-709 FLARE K.O. DRUM BLDG. J.BOX JBL-709	CATADYNE HEATER 708	2c#8 X-LINK	H.L. TECK			120VAC	
LPF-001-1		120VAC UTILITIES	MCC BLDG. LPA/B	PLANT OFFICE	3c#6 X-LINK	H.L. TECK			120VAC	
LP-18/19-1.1		120VAC UTILITIES	MCC BLDG.	HEAT TRACE HT-18	4c#10 X-LINK	H.L. TECK			120VAC	
LP-18/19-1.2		120VAC UTILITIES	HEAT TRACE HT-18	HEAT TRACE HT-19	2c#10 X-LINK	H.L. TECK			120VAC	
HT-25		120VAC UTILITIES	MCC BLDG.	HEAT TRACE HT-25	2c#10 X-LINK	H.L. TECK			120VAC	
C-P501A		PUMP CONTROL	480VAC MCC	C-300 AMINE BLDG. P-501A PUMP	6c#14 X-LINK	H.L. TECK			120VAC	
C-P501B		PUMP CONTROL	480VAC MCC	C-300 AMINE BLDG. P-501B PUMP	6c#14 X-LINK	H.L. TECK			120VAC	
C-P503A		PUMP CONTROL	480VAC MCC	C-300 AMINE BLDG. P-503A PUMP	6c#14 X-LINK	H.L. TECK			120VAC	
C-P503B		PUMP CONTROL	480VAC MCC	C-300 AMINE BLDG. P-503B PUMP	6c#14 X-LINK	H.L. TECK			120VAC	
C-P504		PUMP CONTROL	480VAC MCC	C-300 AMINE BLDG. P-504 PUMP	6c#14 X-LINK	H.L. TECK			120VAC	
C-P505		PUMP CONTROL	480VAC MCC	C-300 AMINE BLDG. P-505 PUMP	6c#14 X-LINK	H.L. TECK			120VAC	
C-E405		PUMP CONTROL	480VAC MCC	E-405 CONDENSOR	6c#14 X-LINK	H.L. TECK			120VAC	
C-E403		PUMP CONTROL	480VAC MCC	E-403 COOLER	6c#14 X-LINK	H.L. TECK			120VAC	
C-KD641		PUMP CONTROL	480VAC MCC	K-640 REFRIGE BLDG. KD-641 COMPRESSOR	6c#14 X-LINK	H.L. TECK			120VAC	
C-E409A		PUMP CONTROL	480VAC MCC	K-640 REFRIGE BLDG. E-409A CONDENSOR	6c#14 X-LINK	H.L. TECK			120VAC	
C-E409B		PUMP CONTROL	480VAC MCC	K-640 REFRIGE BLDG. E-409B CONDENSOR	6c#14 X-LINK	H.L. TECK			120VAC	
C-P506		PUMP CONTROL	480VAC MCC	K-640 REFRIGE BLDG. P-506 PUMP	6c#14 X-LINK	H.L. TECK			120VAC	
FL-100		120VAC UTILITIES	LIGHTING/CONTACTOR PANEL	FLOODLIGHT FL-100	2c#8 X-LINK	H.L. TECK			120VAC	
FL-101		120VAC UTILITIES	LIGHTING/CONTACTOR PANEL	FLOODLIGHT FL-101	2c#8 X-LINK	H.L. TECK			120VAC	
FL-102		120VAC UTILITIES	LIGHTING/CONTACTOR PANEL	FLOODLIGHT FL-102	2c#8 X-LINK	H.L. TECK			120VAC	
FL-103		120VAC UTILITIES	LIGHTING/CONTACTOR PANEL	FLOODLIGHT FL-103	2c#8 X-LINK	H.L. TECK			120VAC	
FL-104		120VAC UTILITIES	LIGHTING/CONTACTOR PANEL	FLOODLIGHT FL-104	2c#8 X-LINK	H.L. TECK			120VAC	
FL-105		120VAC UTILITIES	LIGHTING/CONTACTOR PANEL	FLOODLIGHT FL-105	2c#4 X-LINK	H.L. TECK			120VAC	

- NOTES:**
1. ALL CABLES ARE COPPER UNLESS OTHERWISE NOTED.
 2. ALL CABLE TO BE SUPPLIED AND INSTALLED BY FIELD CONTRACTOR.
 3. NEUTRAL GROUND WIRE MUST BE WHITE OR NATURAL GREY IN COLOUR IN ITS ENTIRE LENGTH AS PER CODE.

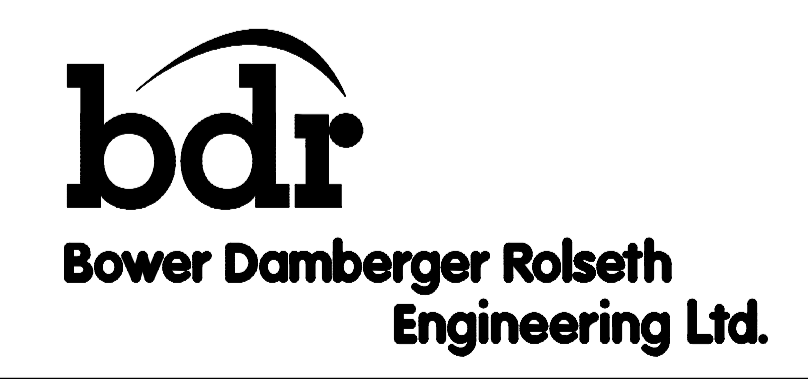
NO.	REVISION	PROJ. No.	BY	DATE	CHK.	DATE
3	POST CONSTRUCTION REVISIONS	43733	SM	05.02.02	ATB	05.02.02
2	ISSUED FOR CONSTRUCTION	43733	FC	04.10.28	ATB	04.11.01
1	ISSUED FOR FIELD BID	43733	FC	04.10.15	ATB	04.10.15
0	ISSUED FOR APPROVAL	43733	SM	04.10.07	ATB	04.10.07

PERMIT STAMP:	STAMP APPLIED TO REV. 2 ONLY
----------------------	------------------------------

GENERAL NOTES:

1. "POST CONSTRUCTION DRAWINGS" ARE GENERATED FROM CONSTRUCTION CHANGE INFORMATION FORWARDED TO BOWER DAMBERGER ROLSETH ENGINEERING LTD. BY THE OWNER'S FIELD SUPERVISORS AND/OR FIELD CONTRACTORS. ANY CHANGES NOT DOCUMENTED WILL NOT APPEAR ON THE DRAWINGS AND THEREFORE THE DRAWING MAY NOT BE AN ACCURATE REPRESENTATION OF THE CONSTRUCTED FACILITY.
2. PRIOR TO THE COMMENCEMENT OF ANY CONSTRUCTION AND/OR EXCAVATION IT SHALL BE THE RESPONSIBILITY OF THE OWNER'S REPRESENTATIVE TO VERIFY THE LOCATION AND STATUS OF ANY PIPING, ELECTRICAL, EQUIPMENT OR BUILDINGS.
3. ANY REVISIONS MADE TO EXISTING EQUIPMENT, PIPING OR ELECTRICAL ON A FACILITY NOT DESIGNED BY B.D.R. ENG. LTD. IS ONLY SHOWN AS A REPRESENTATION OF WHAT EXISTS AND MUST BE VERIFIED BY THE OWNER.

DRN.	BY SM
CHK.	DATE 04.10.07
APP'D.	
L.S.D.	15-10-62-06 WSM



FORT ENERGY CORPORATION		
CORBETT GAS PLANT 120VAC CABLE SCHEDULE		
SCALE	DRAWING NUMBER	REV
N/A	D-23212-E-03-402	3

CABLE SCHEDULE

DESCRIPTION			ROUTING		CABLE/CONDUCTOR DETAILS					
CABLE TAG	LENGTH (m)	APPLICATION	FROM	TO	CABLE SIZE	CABLE TYPE	CABLE OS DIAM.	CONNECTOR	VOLTAGE	NOTES
ASF-180-1		24VDC CONTROL	MCC CONTROL PANEL	V-180 INLET SEPARATOR JBD-180	30c#14 X-LINK	H.L TECK			24VDC	
SAV-01		24VDC CONTROL	V-180 INLET SEPARATOR BLDG. J.BOX JBD-180	SAV-01	2c#14 X-LINK	H.L TECK			24VDC	
ASF-182-1		24VDC CONTROL	MCC CONTROL PANEL	V-182 BLOWCASE JBDA-182	15c#14 X-LINK	H.L TECK			24VDC	
ZSO-18113		24VDC CONTROL	V-182 BLOWCASE BLDG. J.BOX JBDA-182	ZSO-18113	2c#14 X-LINK	H.L TECK			24VDC	
ASF-650-1		24VDC CONTROL	MCC CONTROL PANEL	K-650 BOOSTER COMP JBD-650	20c#14 X-LINK	H.L TECK			24VDC	
ASF-620-1		24VDC CONTROL	MCC CONTROL PANEL	K-620 COMPRESSOR JBA-620	25c#14 X-LINK	H.L TECK			24VDC	
ASF-630-1		24VDC CONTROL	MCC CONTROL PANEL	K-630 COMPRESSOR JBA-630	25c#14 X-LINK	H.L TECK			24VDC	NOTE 4
ASF-300-1		24VDC CONTROL	MCC CONTROL PANEL	C-300 AMINE JBD-300	25c#14 X-LINK	H.L TECK			24VDC	
SAV-19001		24VDC CONTROL	MCC CONTROL PANEL	SAV-19001	2c#14 X-LINK	H.L TECK			24VDC	
SAV-19002		24VDC CONTROL	MCC CONTROL PANEL	SAV-19002	2c#14 X-LINK	H.L TECK			24VDC	
ASF-640-1		24VDC CONTROL	MCC CONTROL PANEL	K-640 REFRIGE COMP. JBD-640	40c#14 X-LINK	H.L TECK			24VDC	
ASF-640-2		24VDC CONTROL	MCC CONTROL PANEL	K-640 REFRIGE COMP. JBD-640	30c#14 X-LINK	H.L TECK			24VDC	
AS-640-1.1		24VDC CONTROL	K-640 REFRIGE COMP. BLDG. J.BOX JBD-640	ZSO-40713	4c#14 X-LINK	H.L TECK			24VDC	
AS-640-1.2		24VDC CONTROL	ZSO-40713	ZSO-40701	2c#14 X-LINK	H.L TECK			24VDC	
LSH-71201		24VDC CONTROL	K-640 REFRIGE COMP. BLDG. J.BOX JBD-640	LSH-71201	2c#14 X-LINK	H.L TECK			24VDC	
VSH-40905		24VDC CONTROL	K-640 REFRIGE COMP. BLDG. J.BOX JBD-640	VSH-40905	2c#14 X-LINK	H.L TECK			24VDC	
VSH-40902		24VDC CONTROL	K-640 REFRIGE COMP. BLDG. J.BOX JBD-640	VSH-40902	2c#14 X-LINK	H.L TECK			24VDC	
ZSO-19606		24VDC CONTROL	K-640 REFRIGE COMP. BLDG. J.BOX JBD-640	ZSO-19606	2c#14 X-LINK	H.L TECK			24VDC	
ASF-711-1		24VDC CONTROL	MCC CONTROL PANEL	T-711 SOUTH TANK FARM JBD-711	25c#14 X-LINK	H.L TECK			24VDC	
LSH-71103		24VDC CONTROL	T-711 SOUTH TANK FARM AREA J.BOX JBD-711	LSH-71103/LSH-71104	4c#14 X-LINK	H.L TECK			24VDC	
LSH-70403		24VDC CONTROL	T-711 SOUTH TANK FARM AREA J.BOX JBD-711	LSH-70403/LSH-70404	4c#14 X-LINK	H.L TECK			24VDC	
PSL-80006		24VDC CONTROL	T-711 SOUTH TANK FARM AREA J.BOX JBL-711	PSL-80006	2c#14 X-LINK	H.L TECK			24VDC	
AS-711-1.1		24VDC CONTROL	T-711 SOUTH TANK FARM AREA J.BOX JBL-711	LSH-80003	4c#14 X-LINK	H.L TECK			24VDC	
AS-711-1.2		24VDC CONTROL	LSH-80003	LSH-80001	2c#14 X-LINK	H.L TECK			24VDC	
VSH-40604		24VDC CONTROL	T-711 SOUTH TANK FARM AREA J.BOX JBL-711	VSH-40602	2c#14 X-LINK	H.L TECK			24VDC	
NAGY-800		24VDC CONTROL	T-711 SOUTH TANK FARM AREA J.BOX JBL-711	NAGY-800 PANEL	6c#14 X-LINK	H.L TECK			24VDC	
ASF-701-1		24VDC CONTROL	MCC CONTROL PANEL	T-701 NORTH TANK FARM JBD-701	15c#14 X-LINK	H.L TECK			24VDC	
LSH-70203		24VDC CONTROL	T-701 NORTH TANK FARM AREA J.BOX JBD-701	LSH-70203/LSH-70204	4c#14 X-LINK	H.L TECK			24VDC	
LSH-70103		24VDC CONTROL	T-701 NORTH TANK FARM AREA J.BOX JBD-701	LSH-70103/LSH-70104	4c#14 X-LINK	H.L TECK			24VDC	
SAV-07		24VDC CONTROL	MCC CONTROL PANEL	SAV-07	2c#14 X-LINK	H.L TECK			24VDC	
SAV-06		24VDC CONTROL	MCC CONTROL PANEL	SAV-06	2c#14 X-LINK	H.L TECK			24VDC	

- NOTES:**
1. ALL CABLES ARE COPPER UNLESS OTHERWISE NOTED.
 2. ALL CABLE TO BE SUPPLIED AND INSTALLED BY FIELD CONTRACTOR.
 3. NEUTRAL GROUND WIRE MUST BE WHITE OR NATURAL GREY IN COLOUR IN ITS ENTIRE LENGTH AS PER CODE.
 4. CABLES TO BE TAGGED, BAGGED, AND LEFT SPARE IN CALBE TRAY.

NO.	REVISION	PROJECT	DSN	DRN	CHK'D	APP'D	DATE
7	POST CONSTRUCTION REVISIONS	43884	BGO	SRM			06.02.14
6	2005 EXPANSION ISSUED FOR CONSTRUCTION	43884	BGO	FC	BGO	RLB	05.10.19
5	2005 EXPANSION ISSUED FOR BID	43884	BGO	FC	BGO		05.09.26
4	2005 EXPANSION ISSUED FOR APPROVAL	43884	BGO	FC	BGO		05.09.26
3	POST CONSTRUCTION REVISIONS	43733	ATB	SM	ATB		05.02.02
2	ISSUED FOR CONSTRUCTION	43733	ATB	FC	ATB	WDS	04.11.01
1	ISSUED FOR FIELD BID	43733	ATB	FC	ATB		04.10.15
0	ISSUED FOR APPROVAL	43733	ATB	SM	ATB		04.10.07

PERMIT STAMP:		STAMP APPLIED TO REV. 6 ONLY	
----------------------	--	------------------------------	--

GENERAL NOTES:	
1. "POST CONSTRUCTION DRAWINGS" ARE GENERATED FROM CONSTRUCTION CHANGE INFORMATION FORWARDED TO BOWER DAMBERGER ROLSETH ENGINEERING LTD. BY THE OWNER'S FIELD SUPERVISORS AND/OR FIELD CONTRACTORS. ANY CHANGES NOT DOCUMENTED WILL NOT APPEAR ON THE DRAWINGS AND THEREFORE THE DRAWING MAY NOT BE AN ACCURATE REPRESENTATION OF THE CONSTRUCTED FACILITY.	
2. PRIOR TO THE COMMENCEMENT OF ANY CONSTRUCTION AND/OR EXCAVATION IT SHALL BE THE RESPONSIBILITY OF THE OWNER'S REPRESENTATIVE TO VERIFY THE LOCATION AND STATUS OF ANY PIPING, ELECTRICAL EQUIPMENT OR BUILDINGS.	
3. ANY REVISIONS MADE TO EXISTING EQUIPMENT, PIPING OR ELECTRICAL ON A FACILITY NOT DESIGNED BY B.D.R. ENG. LTD. IS ONLY SHOWN AS A REPRESENTATION OF WHAT EXISTS AND MUST BE VERIFIED BY THE OWNER.	

	BY	DATE
DESIGN	ATB	04.10.07
DRAWN	SM	04.10.07
CHK'D	BGO	05.10.19
APP'D	RLB	05.10.19
L.S.D.	15-10-62-06 WSM	



FORT ENERGY CORPORATION		
CORBETT GAS PLANT 24VDC CABLE & CONDUIT SCHEDULE		
SCALE	DRAWING NUMBER	REV
N/A	D-23212-E-03-501	7

CABLE SCHEDULE

DESCRIPTION			ROUTING		CABLE/CONDUCTOR DETAILS					
CABLE TAG	LENGTH (m)	APPLICATION	FROM	TO	CABLE SIZE	CABLE TYPE	CABLE OS DIAM.	CONNECTOR	VOLTAGE	NOTES
ASF-709-1		24VDC CONTROL	MCC CONTROL PANEL	T-709 FLARE K.O. DRUM BLDG. J.BOX JBD-709	15c#14 X-LINK	H.L TECK			24VDC	
ASF-709-1.1		24VDC CONTROL	T-709 FLARE K.O. DRUM BLDG. J.BOX JBD-709	T-708 VENT K.O DRUM LSH-70802	4c#14 X-LINK	H.L TECK			24VDC	
ASF-709-1.2		24VDC CONTROL	T-708 VENT K.O DRUM LSH-70802	T-708 VENT K.O DRUM LSH-70801	2c#14 X-LINK	H.L TECK			24VDC	
ASF-670-1		24VDC CONTROL	CONTROL PANEL	K-670 COMPRESSOR BLDG. J.BOX JBDA-670	4c#10 X-LINK	H.L TECK			24VDC	
ASF-670-2		24VDC CONTROL	CONTROL PANEL	K-670 COMPRESSOR BLDG. J.BOX JBDA-670	20c#14 X-LINK	H.L TECK			24VDC	
XVPS-67023		24VDC CONTROL	K-670 COMPRESSOR BLDG. J.BOX JBDA-670	LIMIT SWITCH XVPS-67023	2c#14 X-LINK	H.L TECK			24VDC	
XVPS-67024		24VDC CONTROL	K-670 COMPRESSOR BLDG. J.BOX JBDA-670	LIMIT SWITCH XVPS-67024	2c#14 X-LINK	H.L TECK			24VDC	
ASF-680-1		24VDC CONTROL	CONTROL PANEL	K-680 COMPRESSOR BLDG. J.BOX JBDA-680	4c#10 X-LINK	H.L TECK			24VDC	
ASF-680-2		24VDC CONTROL	CONTROL PANEL	K-680 COMPRESSOR BLDG. J.BOX JBDA-680	20c#14 X-LINK	H.L TECK			24VDC	
XVPS-68023		24VDC CONTROL	K-680 COMPRESSOR BLDG. J.BOX JBDA-680	LIMIT SWITCH XVPS-68023	2c#14 X-LINK	H.L TECK			24VDC	
XVPS-68024		24VDC CONTROL	K-680 COMPRESSOR BLDG. J.BOX JBDA-680	LIMIT SWITCH XVPS-68024	2c#14 X-LINK	H.L TECK			24VDC	
ASF-690-1		24VDC CONTROL	CONTROL PANEL	K-690 REFRIGERATION BLDG. J.BOX JBD-690	4c#10 X-LINK	H.L TECK			24VDC	
ASF-690-2		24VDC CONTROL	CONTROL PANEL	K-690 REFRIGERATION BLDG. J.BOX JBD-690	30c#14 X-LINK	H.L TECK			24VDC	
ASF-690-3		24VDC CONTROL	CONTROL PANEL	K-690 REFRIGERATION BLDG. J.BOX JBD-690	30c#14 X-LINK	H.L TECK			24VDC	
AS-690-3.1		24VDC CONTROL	K-690 REFRIGERATION BLDG. J.BOX JBD-690	LIMIT SWITCH XVPS-40701	2c#14 X-LINK	H.L TECK			24VDC	
AS-690-3.2		24VDC CONTROL	K-690 REFRIGERATION BLDG. J.BOX JBD-690	E-415 REFRIG. CONDENSER VSH-41501	2c#14 X-LINK	H.L TECK			24VDC	
AS-690-3.3		24VDC CONTROL	K-690 REFRIGERATION BLDG. J.BOX JBD-690	H-802 DE-ETHANIZER REBOILER BMS	6c#14 X-LINK	H.L TECK			24VDC	
AS-690-3.5		24VDC CONTROL	K-690 REFRIGERATION BLDG. J.BOX JBD-690	T-710 GLYCOL DRAIN TANK LSH-71001 HIGH	2c#14 X-LINK	H.L TECK			24VDC	
VSH-41502		24VDC CONTROL	K-690 REFRIGERATION BLDG. J.BOX JBD-690	E-415 REFRIDGE CONDENSOR VSH-41502	2c#14 X-LINK	H.L TECK			24VDC	
AS-690-3.4		24VDC CONTROL	K-690 REFRIGERATION BLDG. J.BOX JBD-690	T-710 GLYCOL DRAIN TANK LSL-71002 LOW	2c#14 X-LINK	H.L TECK			24VDC	

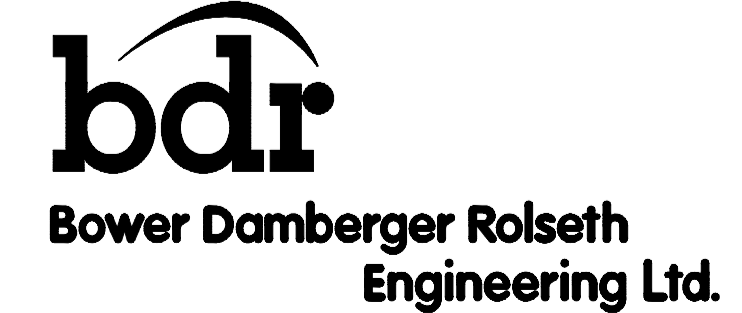
- NOTES:**
1. ALL CABLES ARE COPPER UNLESS OTHERWISE NOTED.
 2. ALL CABLE TO BE SUPPLIED AND INSTALLED BY FIELD CONTRACTOR.
 3. NEUTRAL GROUND WIRE MUST BE WHITE OR NATURAL GREY IN COLOUR IN ITS ENTIRE LENGTH AS PER CODE.

NO.	REVISION	PROJECT	DSN	DRN	CHK'D	APP'D	DATE
7	POST CONSTRUCTION REVISIONS	43884	BGO	SRM			06.02.14
6	2005 EXPANSION ISSUED FOR CONSTRUCTION	43884	BGO	FC	BGO	RLB	05.10.19
5	2005 EXPANSION ISSUED FOR BID	43884	BGO	FC	BGO		05.09.26
4	2005 EXPANSION ISSUED FOR APPROVAL	43884	BGO	FC	BGO		05.09.06
3	POST CONSTRUCTION REVISIONS	43733	ATB	SM	ATB		05.02.02
2	ISSUED FOR CONSTRUCTION	43733	ATB	FC	ATB	WDS	04.11.01
1	ISSUED FOR FIELD BID	43733	ATB	FC	ATB		04.10.15
0	ISSUED FOR APPROVAL	43733	ATB	SM	ATB		04.10.07

PERMIT STAMP:		STAMP APPLIED TO REV. 6 ONLY		
----------------------	--	------------------------------	--	--

GENERAL NOTES:		
<small>1. "POST CONSTRUCTION DRAWINGS" ARE GENERATED FROM CONSTRUCTION CHANGE INFORMATION FORWARDED TO BOWER DAMBERGER ROLSETH ENGINEERING LTD. BY THE OWNER'S FIELD SUPERVISORS AND/OR FIELD CONTRACTORS. ANY CHANGES NOT DOCUMENTED WILL NOT APPEAR ON THE DRAWINGS AND THEREFORE THE DRAWING MAY NOT BE AN ACCURATE REPRESENTATION OF THE CONSTRUCTED FACILITY.</small>		
<small>2. PRIOR TO THE COMMENCEMENT OF ANY CONSTRUCTION AND OR EXCAVATION IT SHALL BE THE RESPONSIBILITY OF THE OWNER REPRESENTATIVE TO VERIFY THE LOCATION AND STATUS OF ANY PIPING, ELECTRICAL, EQUIPMENT OR BUILDINGS.</small>		
<small>3. ANY REVISIONS MADE TO EXISTING EQUIPMENT, PIPING OR ELECTRICAL ON A FACILITY NOT DESIGNED BY B.D.R. ENG. LTD. IS ONLY SHOWN AS A REPRESENTATION OF WHAT EXISTS AND MUST BE VERIFIED BY THE OWNER.</small>		

	BY	DATE
DESIGN	ATB	04.10.07
DRAWN	SM	04.10.07
CHK'D	BGO	05.10.19
APP'D	RLB	05.10.19
L.S.D.	15-10-62-06 W5M	



FORT ENERGY CORPORATION		
CORBETT GAS PLANT 24VDC CABLE & CONDUIT SCHEDULE		
SCALE	DRAWING NUMBER	REV
N/A	D-23212-E-03-502	7

CABLE SCHEDULE

DESCRIPTION			ROUTING		CABLE/CONDUCTOR DETAILS					
CABLE TAG	LENGTH (m)	APPLICATION	FROM	TO	CABLE SIZE	CABLE TYPE	CABLE OS DIAM.	CONNECTOR	VOLTAGE	NOTES
TMF-180-1		ANALOG	MCC CONTROL PANEL	V-180 INLET SEPARATOR BLDG. J.BOX JBA-180	4TR#18 IND. SHIELD	ACIC			24VDC	
TMF-180-2		ANALOG	MCC CONTROL PANEL	V-180 INLET SEPARATOR BLDG. J.BOX JBA-180	4PR#18 IND. SHIELD	ACIC			24VDC	
TMF-182-1		ANALOG	MCC CONTROL PANEL	V-182 BLOWCASE BLDG. J.BOX JBDA-182	4TR#18 IND. SHIELD	ACIC			24VDC	
TMF-650-1		ANALOG	MCC CONTROL PANEL	K-650 BOOSTER COMP. BLDG. J.BOX JBA-650	4TR#18 IND. SHIELD	ACIC			24VDC	
TMF-620-1		ANALOG	MCC CONTROL PANEL	K-620 PROCESS COMP. BLDG. J.BOX JBA-620	4TR#18 IND. SHIELD	ACIC			24VDC	
TMF-620-2		ANALOG	MCC CONTROL PANEL	K-620 PROCESS COMP. BLDG. J.BOX JBA-620	4PR#18 IND. SHIELD	ACIC			24VDC	
TMF-630-1		ANALOG	MCC CONTROL PANEL	K-630 PROCESS COMP. BLDG. J.BOX JBA-630	4TR#18 IND. SHIELD	ACIC			24VDC	NOTE 4
TMF-630-2		ANALOG	MCC CONTROL PANEL	K-630 PROCESS COMP. BLDG. J.BOX JBA-630	4PR#18 IND. SHIELD	ACIC			24VDC	NOTE 4
TMF-300-1		ANALOG	MCC CONTROL PANEL	C-300 AMINE BLDG J.BOX JBA-300	4TR#18 IND. SHIELD	ACIC			24VDC	
TMF-300-2		ANALOG	MCC CONTROL PANEL	C-300 AMINE BLDG J.BOX JBA-300	4PR#18 IND. SHIELD	ACIC			24VDC	
TMF-640-1		ANALOG	MCC CONTROL PANEL	K-640 REFRIDGE COMP. BLDG. J.BOX JBA-640	4TR#18 IND. SHIELD	ACIC			24VDC	
TMF-640-2		ANALOG	MCC CONTROL PANEL	K-640 REFRIDGE COMP. BLDG. J.BOX JBA-640	4PR#18 IND. SHIELD	ACIC			24VDC	
TMF-701-1		ANALOG	MCC CONTROL PANEL	T-701 NORTH TANK FARM AREA J.BOX JBA-701	4PR#18 IND. SHIELD	ACIC			24VDC	
PT-18903		ANALOG	MCC CONTROL PANEL	PT-18903	1PR#18 IND. SHIELD	ACIC			24VDC	
TMF-709-1		ANALOG	MCC CONTROL PANEL	T-709 FLARE K.O. DRUM BLDG. J.BOX JBDA-709	4PR#18 IND. SHIELD	ACIC			24VDC	
COM-001-1		COMMUNICATION	MCC CONTROL PANEL	PLANT OFFICE	9463 BELDEN	ACIC			24VDC	
TEL-002-1		TELEPHONE	MCC CONTROL PANEL	OFFICE/HOUSE	6PR#2 IND. SHIELD	ACIC			24VDC	
COM-002-1		COMMUNICATION	MCC CONTROL PANEL	OFFICE/HOUSE	9463 BELDON	ACIC			24VDC	
COM-002-2		COMMUNICATION	MCC CONTROL PANEL	OFFICE/HOUSE	9463 BELDON	ACIC			24VDC	

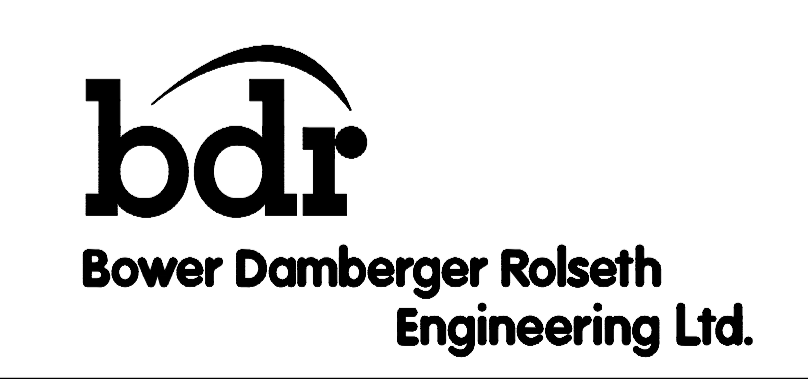
- NOTES:**
1. ALL CABLES ARE COPPER UNLESS OTHERWISE NOTED.
 2. ALL CABLE TO BE SUPPLIED AND INSTALLED BY FIELD CONTRACTOR.
 3. NEUTRAL GROUND WIRE MUST BE WHITE OR NATURAL GREY IN COLOUR IN ITS ENTIRE LENGTH AS PER CODE.
 4. CABLES TO BE TAGGED, BAGGED, AND LEFT SPARE IN CABLE TRAY.

NO.	REVISION	PROJECT	DSN	DRN	CHK'D	APP'D	DATE
7	POST CONSTRUCTION REVISIONS	43884	BGO	SRM			06.02.14
6	2005 EXPANSION ISSUED FOR CONSTRUCTION	43884	BGO	FC	BGO	RLB	05.10.19
5	2005 EXPANSION ISSUED FOR BID	43884	BGO	FC	BGO		05.09.26
4	2005 EXPANSION ISSUED FOR APPROVAL	43884	BGO	FC	BGO		05.09.26
3	POST CONSTRUCTION REVISIONS	43733	ATB	SM	ATB		05.02.02
2	ISSUED FOR CONSTRUCTION	43733	ATB	FC	ATB	WDS	04.11.01
1	ISSUED FOR FIELD BID	43733	ATB	FC	ATB		04.10.15
0	ISSUED FOR APPROVAL	43733	ATB	SM	ATB		04.10.07

PERMIT STAMP:	STAMP APPLIED TO REV. 6 ONLY
----------------------	------------------------------

GENERAL NOTES:	<p>1. "POST CONSTRUCTION DRAWINGS" ARE GENERATED FROM CONSTRUCTION CHANGE INFORMATION FORWARDED TO BOWER DAMBERGER ROLSETH ENGINEERING LTD. BY THE OWNER'S FIELD SUPERVISORS AND/OR FIELD CONTRACTORS. ANY CHANGES NOT DOCUMENTED WILL NOT APPEAR ON THE DRAWINGS AND THEREFORE THE DRAWING MAY NOT BE AN ACCURATE REPRESENTATION OF THE CONSTRUCTED FACILITY.</p> <p>2. PRIOR TO THE COMMENCEMENT OF ANY CONSTRUCTION AND/OR EXCAVATION IT SHALL BE THE RESPONSIBILITY OF THE OWNER'S REPRESENTATIVE TO VERIFY THE LOCATION AND STATUS OF ANY PIPING, ELECTRICAL, EQUIPMENT OR BUILDINGS.</p> <p>3. ANY REVISIONS MADE TO EXISTING EQUIPMENT, PIPING OR ELECTRICAL ON A FACILITY NOT DESIGNED BY B.D.R. ENG. LTD. IS ONLY SHOWN AS A REPRESENTATION OF WHAT EXISTS AND MUST BE VERIFIED BY THE OWNER.</p>
-----------------------	--

	BY	DATE
DESIGN	ATB	04.10.07
DRAWN	SM	04.10.07
CHK'D	BGO	05.10.19
APP'D	RLB	05.10.19
L.S.D.	15-10-62-06 WSM	



FORT ENERGY CORPORATION		
CORBETT GAS PLANT ANALOG CABLE & CONDUIT SCHEDULE		
SCALE	DRAWING NUMBER	REV
N/A	D-23212-E-03-601	7

CABLE SCHEDULE

DESCRIPTION			ROUTING		CABLE/CONDUCTOR DETAILS					
CABLE TAG	APPROXIMATED LENGTH (m)	APPLICATION	FROM	TO	CABLE SIZE	CABLE TYPE	CABLE OS DIAM. (mm)	CONNECTOR	VOLTAGE	NOTES
TMF-670-1		ANALOG	CONTROL PANEL	K-670 COMPRESSOR BLDG. J.BOX JBDA-670	4TR#16 IND. SHIELD	ACIC			ANALOG	
TMF-670-2		ANALOG	CONTROL PANEL	K-670 COMPRESSOR BLDG. J.BOX JBDA-670	4PR#16 IND. SHIELD	ACIC			ANALOG	
TM-670-2.1		ANALOG	K-670 COMPRESSOR BLDG. J.BOX JBDA-670	TIT-67005	1PR#16 IND. SHIELD	ACIC			ANALOG	
TMF-680-1		ANALOG	CONTROL PANEL	K-680 COMPRESSOR BLDG. J.BOX JBDA-680	4TR#16 IND. SHIELD	ACIC			ANALOG	
TMF-680-2		ANALOG	CONTROL PANEL	K-680 COMPRESSOR BLDG. J.BOX JBDA-680	4PR#16 IND. SHIELD	ACIC			ANALOG	
TM-680-2.1		ANALOG	K-680 COMPRESSOR BLDG. J.BOX JBDA-680	TIT-68005	1PR#16 IND. SHIELD	ACIC			ANALOG	
TMF-690-1		ANALOG	CONTROL PANEL	K-690 REFRIGERATION BLDG. J.BOX JBA-690	8TR#16 IND. SHIELD	ACIC			ANALOG	
TMF-690-2		ANALOG	CONTROL PANEL	K-690 REFRIGERATION BLDG. J.BOX JBA-690	4PR#16 IND. SHIELD	ACIC			ANALOG	
TMF-690-2.1		ANALOG	JBA-690 J.BOX	DPT-69001 FLOW TRANSMITTER	1PR#16 IND. SHIELD	ACIC			ANALOG	
COM-670-1		COMMUNICATION	CONTROL PANEL	K-670 COMPRESSOR BLDG. J.BOX JBDA-670	4PR#16 IND. SHIELD	ACIC			ANALOG	
COM-680-1		COMMUNICATION	CONTROL PANEL	K-680 COMPRESSOR BLDG. J.BOX JBDA-680	4PR#16 IND. SHIELD	ACIC			ANALOG	
COM-690-1		COMMUNICATION	CONTROL PANEL	K-690 REFRIGERATION BLDG. J.BOX JBA-690	4PR#16 IND. SHIELD	ACIC			ANALOG	
A-INT-1		ANALOG	CONTROL PANEL	480VAC MCC	4PR#16 IND. SHIELD					
A-INT-2		ANALOG	CONTROL PANEL	480VAC MCC	4PR#16 IND. SHIELD					
C-INT-1		24VDC CONTROL	CONTROL PANEL	480VAC MCC	15c#14					
C-INT-2		24VDC CONTROL	CONTROL PANEL	480VAC MCC	20c#14					
C-INT-3		24VDC CONTROL	CONTROL PANEL	480VAC MCC	25c#14					

NO.	REVISION	PROJECT	DSN	DRN	CHK'D	APP'D	DATE
3	POST CONSTRUCTION REVISIONS	43884	BGO	SRM			06.02.14
2	2005 EXPANSION ISSUED FOR CONSTRUCTION	43884	BGO	FC	BGO	RLB	05.10.19
1	2005 EXPANSION ISSUED FOR BID	43884	BGO	FC	BGO		05.09.26
0	2005 EXPANSION ISSUED FOR APPROVAL	43884	BGO	FC	BGO		05.09.06

PERMIT STAMP:

STAMP APPLIED TO REV. 2 ONLY

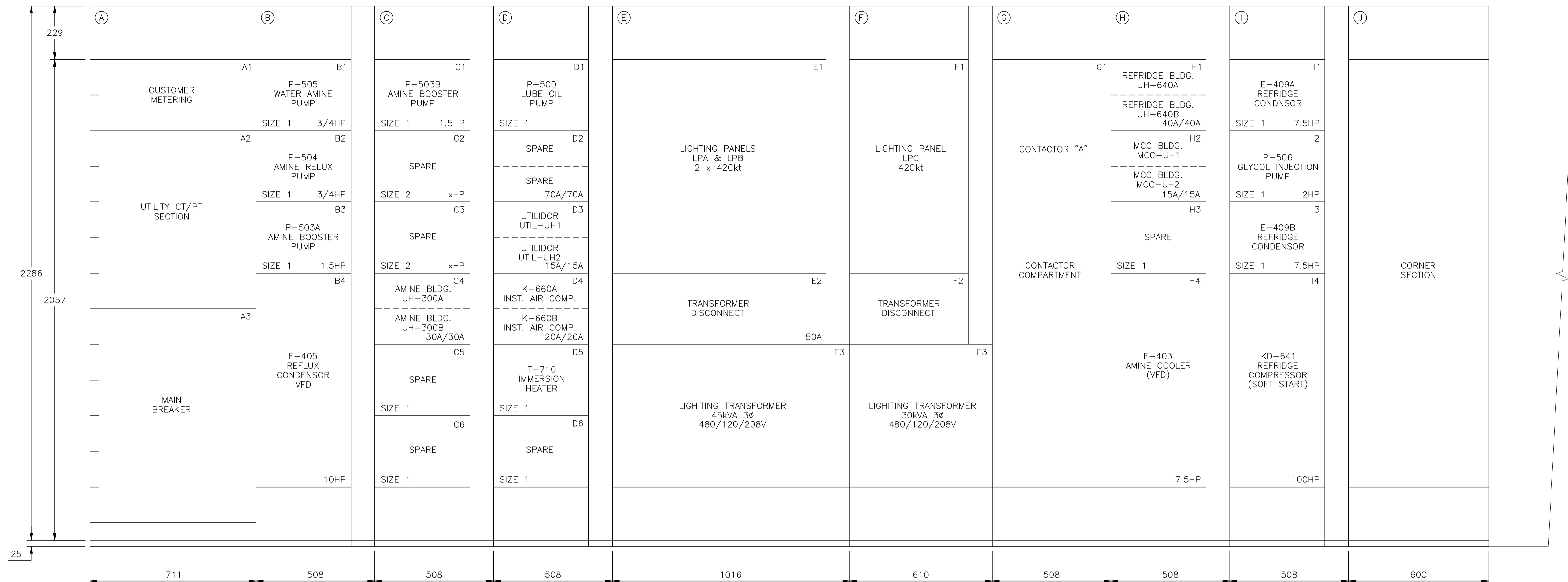
GENERAL NOTES:

- "POST CONSTRUCTION DRAWINGS" ARE GENERATED FROM CONSTRUCTION CHANGE INFORMATION FORWARDED TO BOWER DAMBERGER ROLSETH ENGINEERING LTD. BY THE OWNER'S FIELD SUPERVISORS AND/OR BIDDING CONTRACTORS. ANY CHANGES NOT DOCUMENTED WILL NOT APPEAR ON THE DRAWINGS AND THEREFORE THE DRAWING MAY NOT BE AN ACCURATE REPRESENTATION OF THE CONSTRUCTED FACILITY.
- PRIOR TO THE COMMENCEMENT OF ANY CONSTRUCTION AND/OR EXCAVATION IT SHALL BE THE RESPONSIBILITY OF THE OWNER'S REPRESENTATIVE TO VERIFY THE LOCATION AND STATUS OF ANY PIPING, ELECTRICAL, EQUIPMENT OR BUILDINGS.
- ANY REVISIONS MADE TO EXISTING EQUIPMENT, PIPING OR ELECTRICAL ON A FACILITY NOT DESIGNED BY B.D.R. ENG. LTD. IS ONLY SHOWN AS A REPRESENTATION OF WHAT EXISTS AND MUST BE VERIFIED BY THE OWNER.

DESIGN	BY	DATE
DRAWN	BGO	05.08.24
CHK'D	BGO	05.10.19
APP'D	RLB	05.10.19
L.S.D.	15-10-62-06	W5M



FORT ENERGY CORPORATION		
CORBETT GAS PLANT ANALOG CABLE & CONDUIT SCHEDULE		
SCALE	DRAWING NUMBER	REV
N/A	D-23212-E-03-602	3



CONT. ON DWG. E-04-002

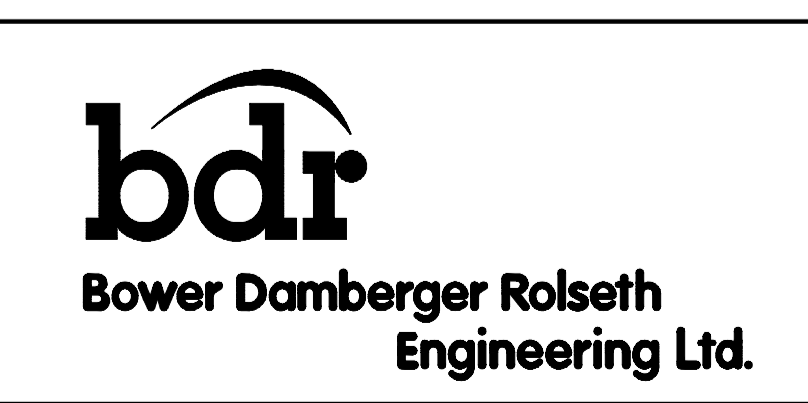
NO.	REVISION	PROJECT	DSN	DRN	CHK'D	APP'D	DATE
3	POST CONSTRUCTION REVISIONS	43733	ATB	SM	ATB		05.02.02
2	ISSUED FOR CONSTRUCTION	43733	ATB	FC	ATB	WDS	04.11.01
1	ISSUED FOR FIELD BID	43733	ATB	FC	ATB		04.10.15
0	ISSUED FOR APPROVAL	43733	ATB	FC	ATB		04.10.15

PERMIT STAMP:	STAMP APPLIED TO REV. 2 ONLY
---------------	------------------------------

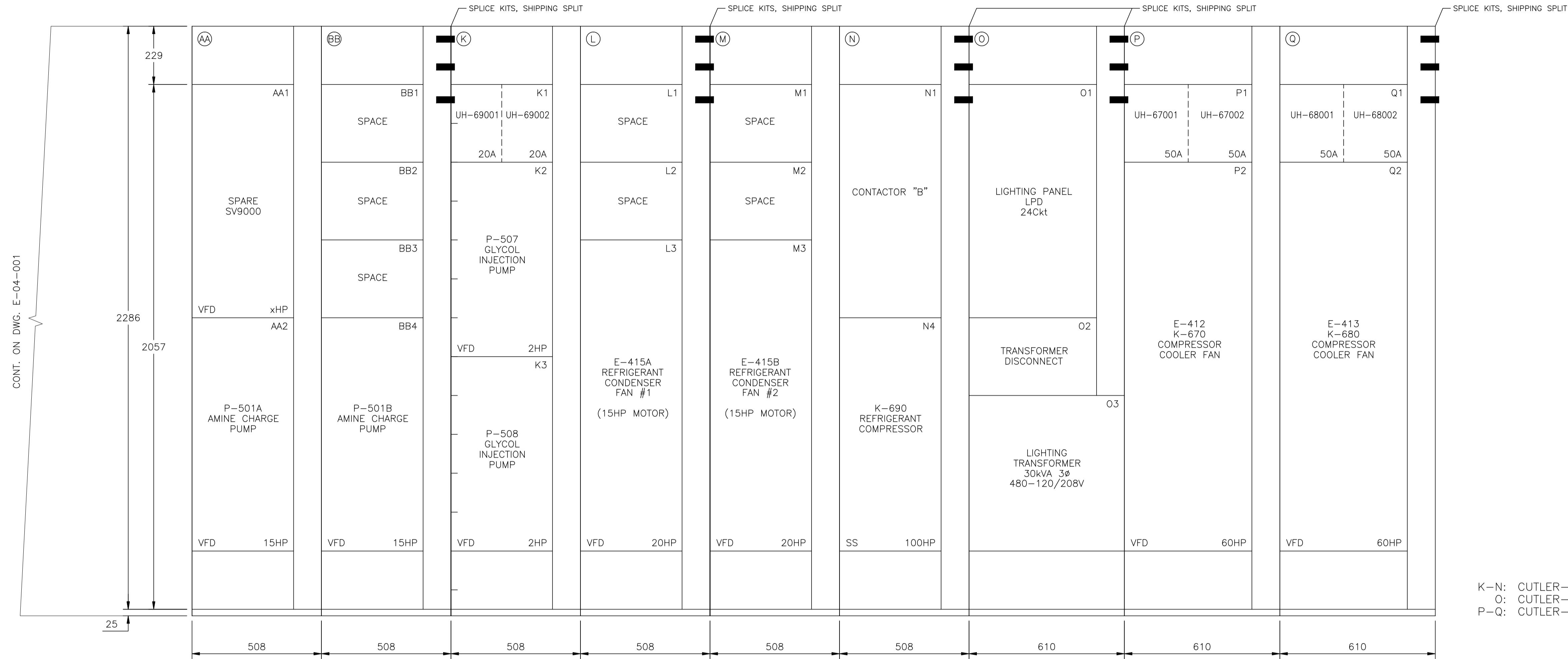
GENERAL NOTES:

- "POST CONSTRUCTION DRAWINGS" ARE GENERATED FROM CONSTRUCTION CHANGE INFORMATION FORWARDED TO BOWER DAMBERGER ROLSETH ENGINEERING LTD. BY THE OWNER'S FIELD SUPERVISORS AND/OR FIELD CONTRACTORS. ANY CHANGES NOT DOCUMENTED WILL NOT APPEAR ON THE DRAWINGS AND THEREFORE THE DRAWING MAY NOT BE AN ACCURATE REPRESENTATION OF THE CONSTRUCTED FACILITY.
- PRIOR TO THE COMMENCEMENT OF ANY CONSTRUCTION AND/OR EXCAVATION IT SHALL BE THE RESPONSIBILITY OF THE OWNER'S REPRESENTATIVE TO VERIFY THE LOCATION AND STATUS OF ANY PIPING, ELECTRICAL, EQUIPMENT OR BUILDINGS.
- ANY REVISIONS MADE TO EXISTING EQUIPMENT, PIPING OR ELECTRICAL ON A FACILITY NOT DESIGNED BY B.D.R. ENG. LTD. IS ONLY SHOWN AS A REPRESENTATION OF WHAT EXISTS AND MUST BE VERIFIED BY THE OWNER.

	BY	DATE
DESIGN	ATB	04.09.06
DRAWN	FC	04.09.06
CHK'D		
APP'D		
L.S.D.	15-10-62-06	WSM



FORT ENERGY CORPORATION		
CORBETT GAS PLANT MCC SECTION LAYOUT		
SCALE	DRAWING NUMBER	REV
1 : 10	D-23212-E-04-001	3



K-N: CUTLER-HAMMER #37B283801
 O: CUTLER-HAMMER #
 P-Q: CUTLER-HAMMER #37B286601

CONT. ON DWG. E-04-001

NO.	REVISION	PROJECT	DSN	DRN	CHK'D	APP'D	DATE
4	POST CONSTRUCTION REVISIONS	43884	BGO	SRM			06.02.14
3	2005 EXPANSION ISSUED FOR CONSTRUCTION	43884	BGO	FC	BGO	RLB	05.10.19
2	2005 EXPANSION ISSUED FOR BID	43884	BGO	FC	BGO		05.09.26
1	2005 EXPANSION ISSUED FOR APPROVAL	43884	BGO	FC	BGO		05.09.06
0	POST CONSTRUCTION REVISIONS	43733	3	FC	BGO		05.09.06

PERMIT STAMP:	STAMP APPLIED TO REV. 3 ONLY
----------------------	------------------------------

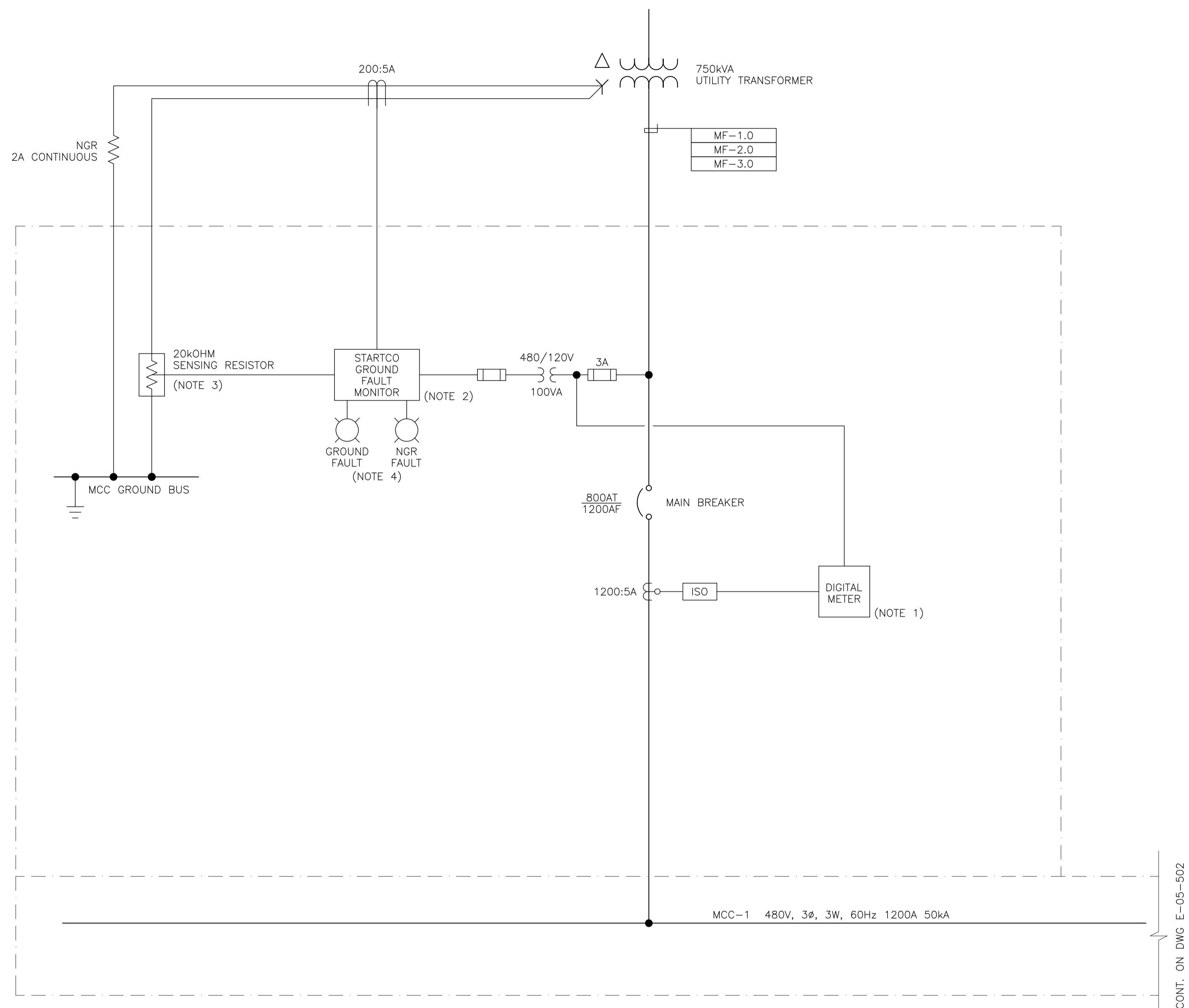
GENERAL NOTES:

- "POST CONSTRUCTION DRAWINGS" ARE GENERATED FROM CONSTRUCTION CHANGE INFORMATION FORWARDED TO BOWER DAMBERGER ROLSETH ENGINEERING LTD. BY THE OWNER'S FIELD SUPERVISORS AND/OR BIDDING CONTRACTORS. ANY CHANGES NOT DOCUMENTED WILL NOT APPEAR ON THE DRAWINGS AND THEREFORE THE DRAWING MAY NOT BE AN ACCURATE REPRESENTATION OF THE CONSTRUCTED FACILITY.
- PRIOR TO THE COMMENCEMENT OF ANY CONSTRUCTION AND/OR EXCAVATION IT SHALL BE THE RESPONSIBILITY OF THE OWNER'S REPRESENTATIVE TO VERIFY THE LOCATION AND STATUS OF ANY PIPING, ELECTRICAL, EQUIPMENT OR BUILDINGS.
- ANY REVISIONS MADE TO EXISTING EQUIPMENT, PIPING OR ELECTRICAL ON A FACILITY NOT DESIGNED BY B.D.R. ENG. LTD. IS ONLY SHOWN AS A REPRESENTATION OF WHAT EXISTS AND MUST BE VERIFIED BY THE OWNER.

	BY	DATE
DESIGN	BGO	05.08.17
DRAWN	FC	05.08.17
CHK'D	BGO	05.10.19
APP'D	RLB	05.10.19
L.S.D.	15-10-62-06	WSM



FORT ENERGY CORPORATION		
CORBETT GAS PLANT 480VAC MCC MCC SECTION LAYOUT		
SCALE	DRAWING NUMBER	REV
1 : 10	D-23212-E-04-002	4



- NOTES:**
1. IQOP4130 CUTLER-HAMMER DIGITAL METER.
 2. STARTCO SE-325 GROUND NEUTRAL GROUNDING RESISTOR MONITOR.
 3. ER-600VC STARTCO SENSING RESISTOR.
 4. STARTCO RK-325 REMOTE INDICATION & RESET ASSEMBLY FOR SE-325.

CONT. ON DWG E-05-502

NO.	REVISION	PROJ. No.	BY	DATE	CHK.	DATE
3	POST CONSTRUCTION REVISIONS	43733	SM	05.02.02	ATB	05.02.02
2	ISSUED FOR CONSTRUCTION	43733	FC	04.10.28	ATB	04.11.02
1	ISSUED FOR FIELD BID	43733	FC	04.10.15	ATB	04.10.15
0	ISSUED FOR INFORMATION	43733	FC	04.08.10	BGO	04.08.11

PERMIT STAMP:

STAMP APPLIED TO REV. 2 ONLY

GENERAL NOTES:

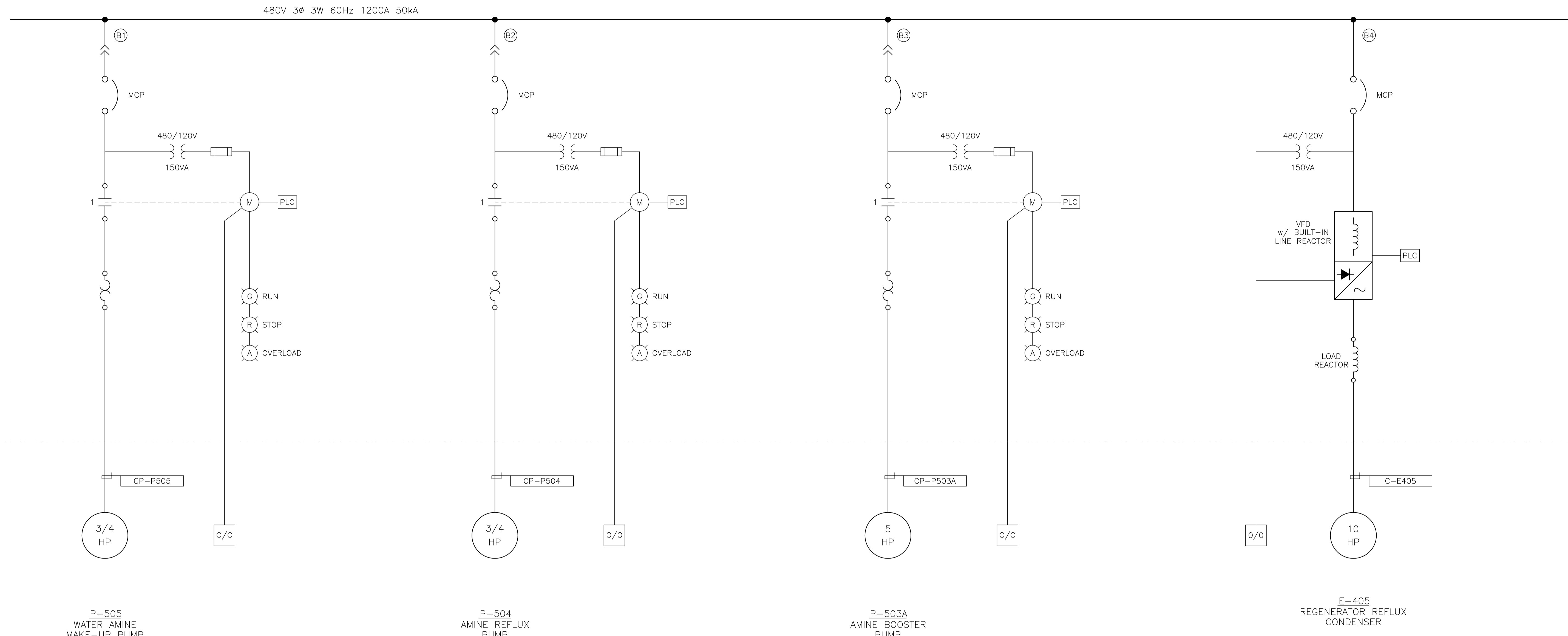
1. "POST CONSTRUCTION DRAWINGS" ARE GENERATED FROM CONSTRUCTION CHANGE INFORMATION FORWARDED TO BOWER DAMBERGER ROLSETH ENGINEERING LTD. BY THE OWNER'S FIELD SUPERVISORS AND/OR BIDDING CONTRACTORS. ANY CHANGES NOT DOCUMENTED WILL NOT APPEAR ON THE DRAWINGS AND THEREFORE THE DRAWING MAY NOT BE AN ACCURATE REPRESENTATION OF THE CONSTRUCTED FACILITY.
2. PRIOR TO THE COMMENCEMENT OF ANY CONSTRUCTION AND/OR EXCAVATION IT SHALL BE THE RESPONSIBILITY OF THE OWNER'S REPRESENTATIVE TO VERIFY THE LOCATION AND STATUS OF ANY PIPING, ELECTRICAL EQUIPMENT OR BUILDINGS.
3. ANY REVISIONS MADE TO EXISTING EQUIPMENT, PIPING OR ELECTRICAL ON A FACILITY NOT DESIGNED BY B.D.R. ENG. LTD. IS ONLY SHOWN AS A REPRESENTATION OF WHAT EXISTS AND MUST BE VERIFIED BY THE OWNER.

DRN.	BY	DATE
CHK.	FC	04.08.10
APP'D.		
L.S.D.	15-10-62-06 WSM	

FORT ENERGY CORPORATION		
CORBETT GAS PLANT 480VAC SINGLE LINE DIAGRAM		
SCALE	DRAWING NUMBER	REV
N/A	D-23212-E-04-501	3

CONT. ON DWG. E-04-501

CONT. ON DWG. E-04-503



P-505
WATER AMINE
MAKE-UP PUMP

P-504
AMINE REFLUX
PUMP

P-503A
AMINE BOOSTER
PUMP

E-405
REGENERATOR REFLUX
CONDENSER

NO.	REVISION	PROJ. No.	BY	DATE	CHK.	DATE
3	POST CONSTRUCTION REVISIONS	43733	SM	05.02.02	ATB	05.02.02
2	ISSUED FOR CONSTRUCTION	43733	FC	04.10.28	ATB	04.11.01
1	ISSUED FOR FIELD BID	43733	FC	04.10.15	ATB	04.10.15
0	ISSUED FOR APPROVAL	43733	SM	04.09.28	ATB	04.09.28

PERMIT STAMP:

STAMP APPLIED TO REV. 2 ONLY

GENERAL NOTES:
1. "POST CONSTRUCTION DRAWINGS" ARE GENERATED FROM CONSTRUCTION CHANGE INFORMATION FORWARDED TO BOWER DAMBERGER ROLSETH ENGINEERING LTD. BY THE OWNER'S FIELD SUPERVISORS AND/OR BIDDING CONTRACTORS. ANY CHANGES NOT DOCUMENTED WILL NOT APPEAR ON THE DRAWINGS AND THEREFORE THE DRAWING MAY NOT BE AN ACCURATE REPRESENTATION OF THE CONSTRUCTED FACILITY.
2. PRIOR TO THE COMMENCEMENT OF ANY CONSTRUCTION AND/OR EXCAVATION IT SHALL BE THE RESPONSIBILITY OF THE OWNER'S REPRESENTATIVE TO VERIFY THE LOCATION AND STATUS OF ANY PIPING, ELECTRICAL EQUIPMENT OR BUILDINGS.
3. ANY REVISIONS MADE TO EXISTING EQUIPMENT, PIPING OR ELECTRICAL ON A FACILITY NOT DESIGNED BY B.D.R. ENG. LTD. IS ONLY SHOWN AS A REPRESENTATION OF WHAT EXISTS AND MUST BE VERIFIED BY THE OWNER.

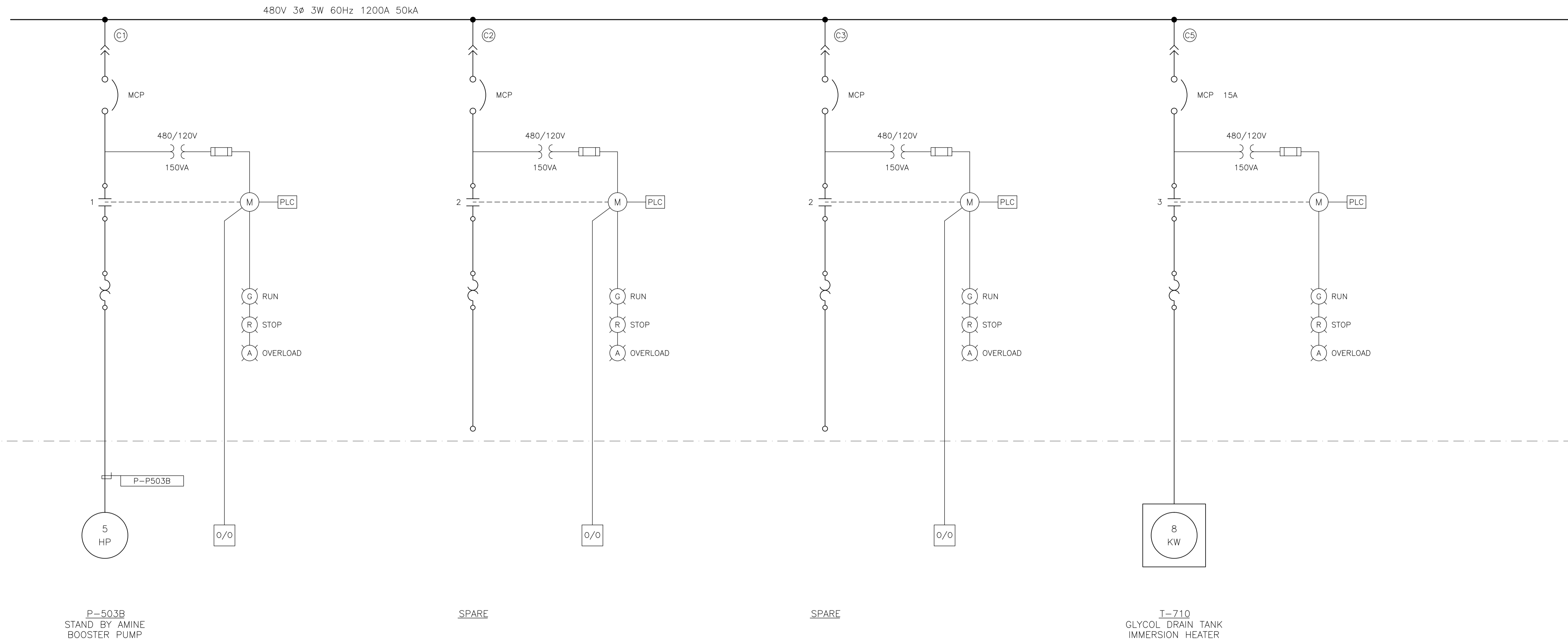
DRN.	BY	DATE
CHK.	FC	04.08.10
APP'D.		
L.S.D.	15-10-62-06 WSM	



FORT ENERGY CORPORATION		
CORBETT GAS PLANT 480VAC SINGLE LINE DIAGRAM		
SCALE	DRAWING NUMBER	REV
N/A	D-23212-E-04-502	3

CONT. ON DWG. E-04-502

CONT. ON DWG. E-04-504



P-503B
STAND BY AMINE
BOOSTER PUMP

SPARE

SPARE

I-710
GLYCOL DRAIN TANK
IMMERSION HEATER

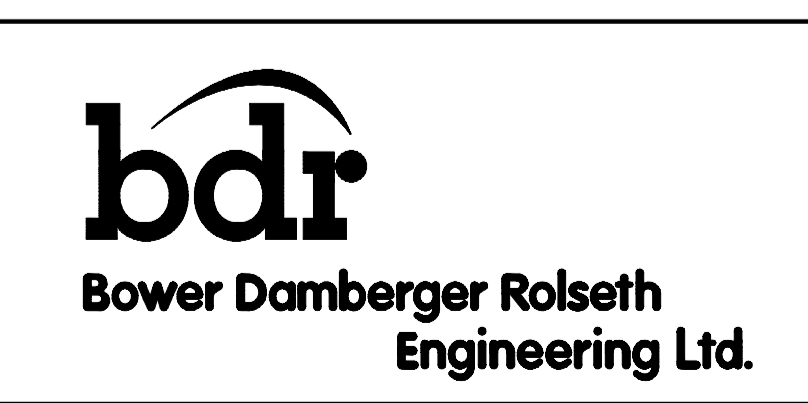
NO.	REVISION	PROJECT	DSN	DRN	CHK'D	APP'D	DATE
3	POST CONSTRUCTION REVISIONS	43733	ATB	SM	ATB		05.02.02
2	ISSUED FOR CONSTRUCTION	43733	ATB	FC	ATB	WDS	04.11.01
1	ISSUED FOR FIELD BID	43733	ATB	FC	ATB		04.10.15
0	ISSUED FOR APPROVAL	43733	ATB	SM	ATB		04.09.28

PERMIT STAMP:

STAMP APPLIED TO REV. 2 ONLY

GENERAL NOTES:
1. "POST CONSTRUCTION DRAWINGS" ARE GENERATED FROM CONSTRUCTION CHANGE INFORMATION FORWARDED TO BOWER DAMBERGER ROLSETH ENGINEERING LTD. BY THE OWNER'S FIELD SUPERVISORS AND/OR FIELD CONTRACTORS. ANY CHANGES NOT DOCUMENTED WILL NOT APPEAR ON THE DRAWINGS AND THEREFORE THE DRAWING MAY NOT BE AN ACCURATE REPRESENTATION OF THE CONSTRUCTED FACILITY.
2. PRIOR TO THE COMMENCEMENT OF ANY CONSTRUCTION AND/OR EXCAVATION IT SHALL BE THE RESPONSIBILITY OF THE OWNER'S REPRESENTATIVE TO VERIFY THE LOCATION AND STATUS OF ANY PIPING, ELECTRICAL, EQUIPMENT OR BUILDINGS.
3. ANY REVISIONS MADE TO EXISTING EQUIPMENT, PIPING OR ELECTRICAL ON A FACILITY NOT DESIGNED BY B.D.R. ENG. LTD. IS ONLY SHOWN AS A REPRESENTATION OF WHAT EXISTS AND MUST BE VERIFIED BY THE OWNER.

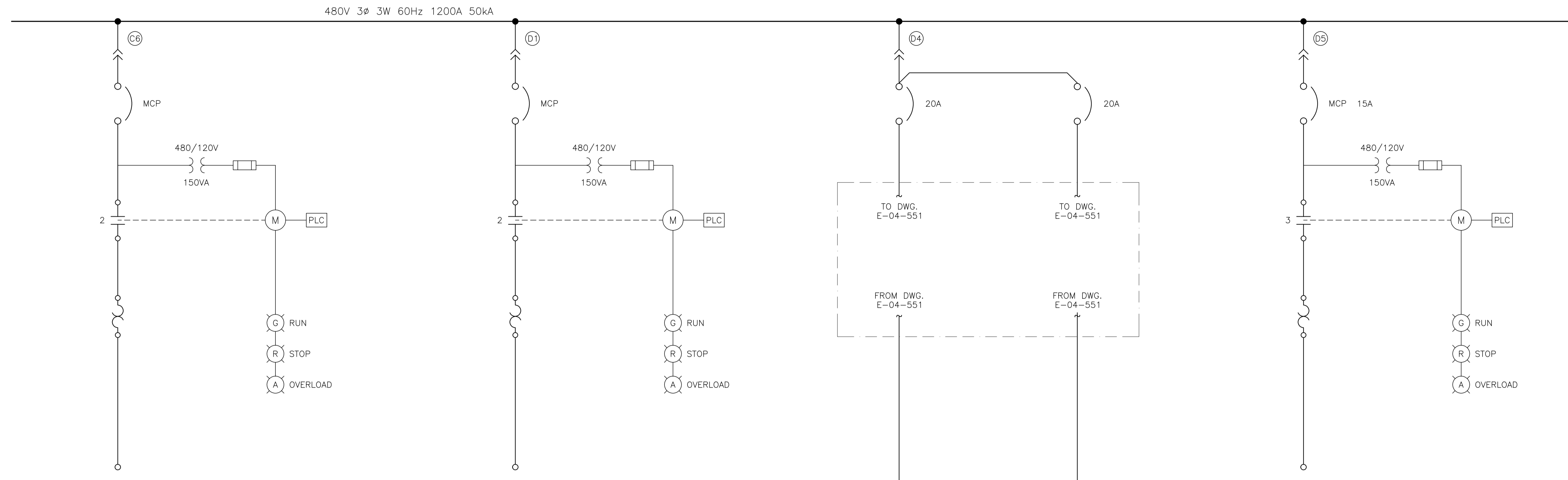
DESIGN	BY	DATE
DRAWN	ATB	04.08.10
CHK'D	FC	04.08.10
APP'D		
L.S.D.	15-10-62-06	W5M



FORT ENERGY CORPORATION		
CORBETT GAS PLANT 480VAC SINGLE LINE DIAGRAM		
SCALE	DRAWING NUMBER	REV
N/A	D-23212-E-04-503	3

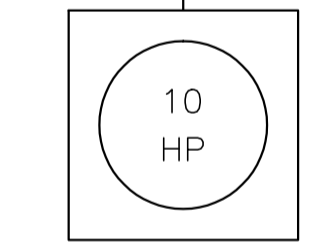
CONT. ON DWG. E-04-502

CONT. ON DWG. E-04-505

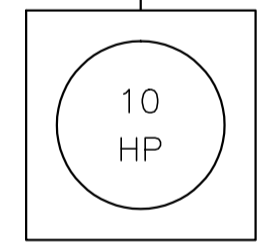


SPARE

SPARE



K-660A
INSTRUMENT AIR
COMPRESSOR



K-660A
INSTRUMENT AIR
COMPRESSOR

SPARE

NO.	REVISION	PROJECT	DSN	DRN	CHK'D	APP'D	DATE
3	POST CONSTRUCTION REVISIONS	43733	ATB	SM	ATB		05.02.02
2	ISSUED FOR CONSTRUCTION	43733	ATB	FC	ATB	WDS	04.11.01
1	ISSUED FOR FIELD BID	43733	ATB	FC	ATB		04.10.15
0	ISSUED FOR APPROVAL	43733	ATB	SM	ATB		04.09.28

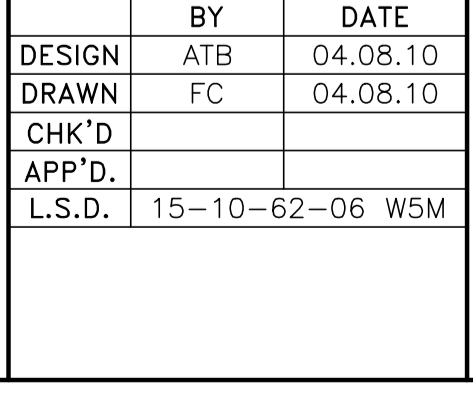
PERMIT STAMP:

STAMP APPLIED TO REV. 2 ONLY

GENERAL NOTES:

- "POST CONSTRUCTION DRAWINGS" ARE GENERATED FROM CONSTRUCTION CHANGE INFORMATION FORWARDED TO BOWER DAMBERGER ROLSETH ENGINEERING LTD. BY THE OWNER'S FIELD SUPERVISORS AND/OR BIDDING CONTRACTORS. ANY CHANGES NOT DOCUMENTED WILL NOT APPEAR ON THE DRAWINGS AND THEREFORE THE DRAWING MAY NOT BE AN ACCURATE REPRESENTATION OF THE CONSTRUCTED FACILITY.
- PRIOR TO THE COMMENCEMENT OF ANY CONSTRUCTION AND/OR EXCAVATION IT SHALL BE THE RESPONSIBILITY OF THE OWNER'S REPRESENTATIVE TO VERIFY THE LOCATION AND STATUS OF ANY PIPING, ELECTRICAL, EQUIPMENT OR BUILDINGS.
- ANY REVISIONS MADE TO EXISTING EQUIPMENT, PIPING OR ELECTRICAL ON A FACILITY NOT DESIGNED BY B.D.R. ENG. LTD. IS ONLY SHOWN AS A REPRESENTATION OF WHAT EXISTS AND MUST BE VERIFIED BY THE OWNER.

DESIGN	BY	DATE
DRAWN	ATB	04.08.10
CHK'D	FC	04.08.10
APP'D		
L.S.D.	15-10-62-06	W5M



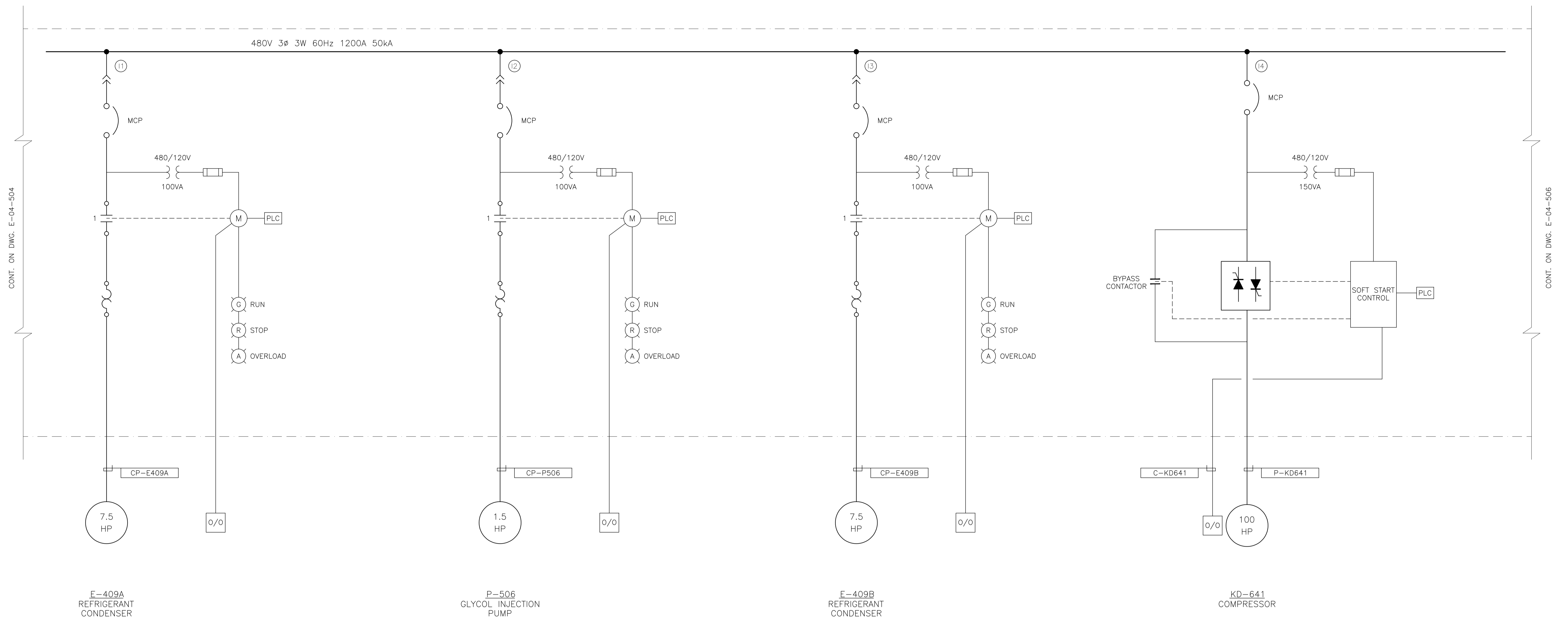
FORT ENERGY CORPORATION

CORBETT GAS PLANT
480VAC
SINGLE LINE DIAGRAM

SCALE: N/A

DRAWING NUMBER: D-23212-E-04-504

REV: 3



CONT. ON DWG. E-04-504

CONT. ON DWG. E-04-506

NO.	REVISION	PROJ. No.	BY	DATE	CHK.	DATE
3	POST CONSTRUCTION REVISIONS	43733	SM	05.02.02	ATB	05.02.02
2	ISSUED FOR CONSTRUCTION	43733	FC	04.10.28	ATB	04.11.01
1	ISSUED FOR FIELD BID	43733	FC	04.10.15	ATB	04.10.15
0	ISSUED FOR APPROVAL	43733	SM	04.09.28	ATB	04.09.28

PERMIT STAMP:

STAMP APPLIED TO REV. 2 ONLY

GENERAL NOTES:

1. "POST CONSTRUCTION DRAWINGS" ARE GENERATED FROM CONSTRUCTION CHANGE INFORMATION FORWARDED TO BOWER DAMBERGER ROLSETH ENGINEERING LTD. BY THE OWNER'S FIELD SUPERVISORS AND/OR BIDDING CONTRACTORS. ANY CHANGES NOT DOCUMENTED WILL NOT APPEAR ON THE DRAWINGS AND THEREFORE THE DRAWING MAY NOT BE AN ACCURATE REPRESENTATION OF THE CONSTRUCTED FACILITY.

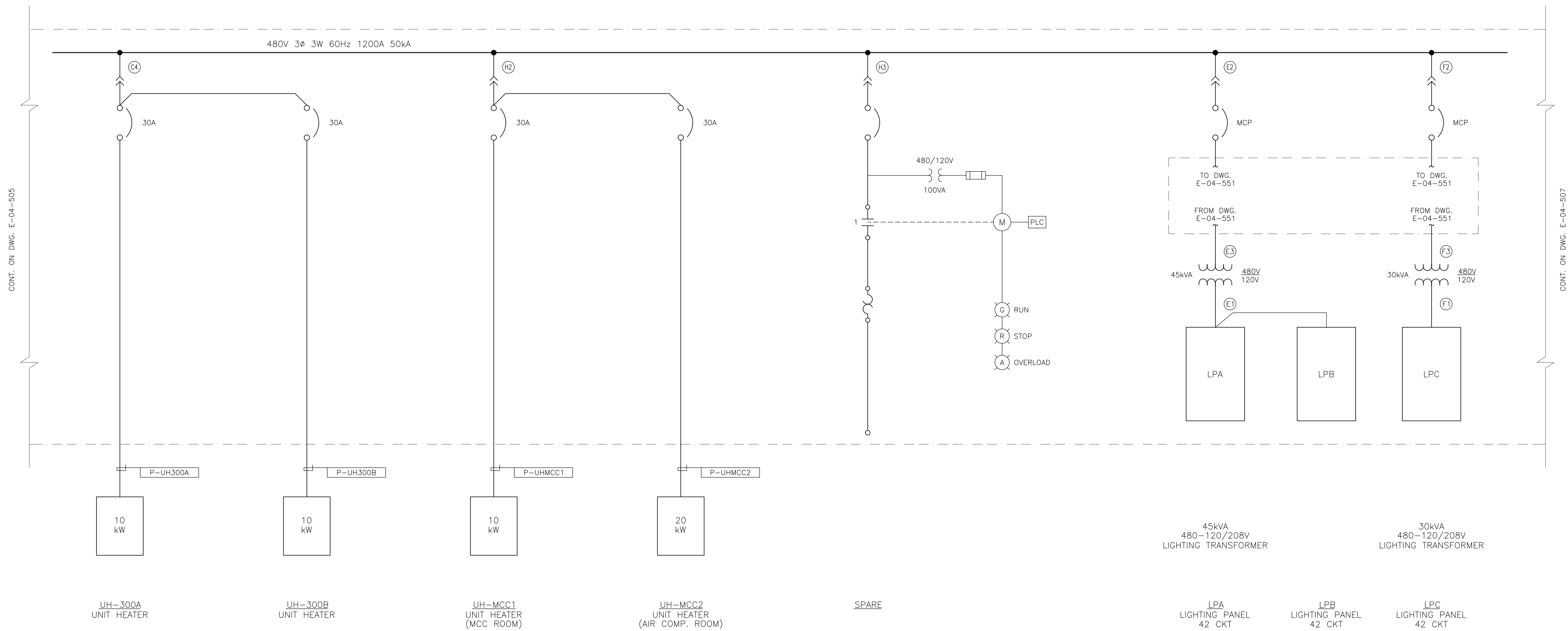
2. PRIOR TO THE COMMENCEMENT OF ANY CONSTRUCTION AND/OR EXCAVATION IT SHALL BE THE RESPONSIBILITY OF THE OWNER'S REPRESENTATIVE TO VERIFY THE LOCATION AND STATUS OF ANY PIPING, ELECTRICAL, EQUIPMENT OR BUILDINGS.

3. ANY REVISIONS MADE TO EXISTING EQUIPMENT, PIPING OR ELECTRICAL ON A FACILITY NOT DESIGNED BY B.D.R. ENG. LTD. IS ONLY SHOWN AS A REPRESENTATION OF WHAT EXISTS AND MUST BE VERIFIED BY THE OWNER.

DRN.	BY	DATE
CHK.	FC	04.08.10
APP'D.		
L.S.D.	15-10-62-06	WSM



FORT ENERGY CORPORATION		
CORBETT GAS PLANT		
480VAC SINGLE LINE DIAGRAM		
SCALE	DRAWING NUMBER	REV
N/A	D-23212-E-04-505	3



CONT. ON DWG. E-04-505

CONT. ON DWG. E-04-507

NO.	REVISION	PROJECT	DSN	DRN	CHK'D	APP'D	DATE
3	POST CONSTRUCTION REVISIONS	43733	ATB	SM	ATB		05.02.02
2	ISSUED FOR CONSTRUCTION	43733	ATB	FC	ATB	WDS	04.11.01
1	ISSUED FOR FIELD BID	43733	ATB	FC	ATB		04.10.15
0	ISSUED FOR APPROVAL	43733	ATB	SM	ATB		04.09.28

PERMIT STAMP:

STAMP APPLIED TO REV. 2 ONLY

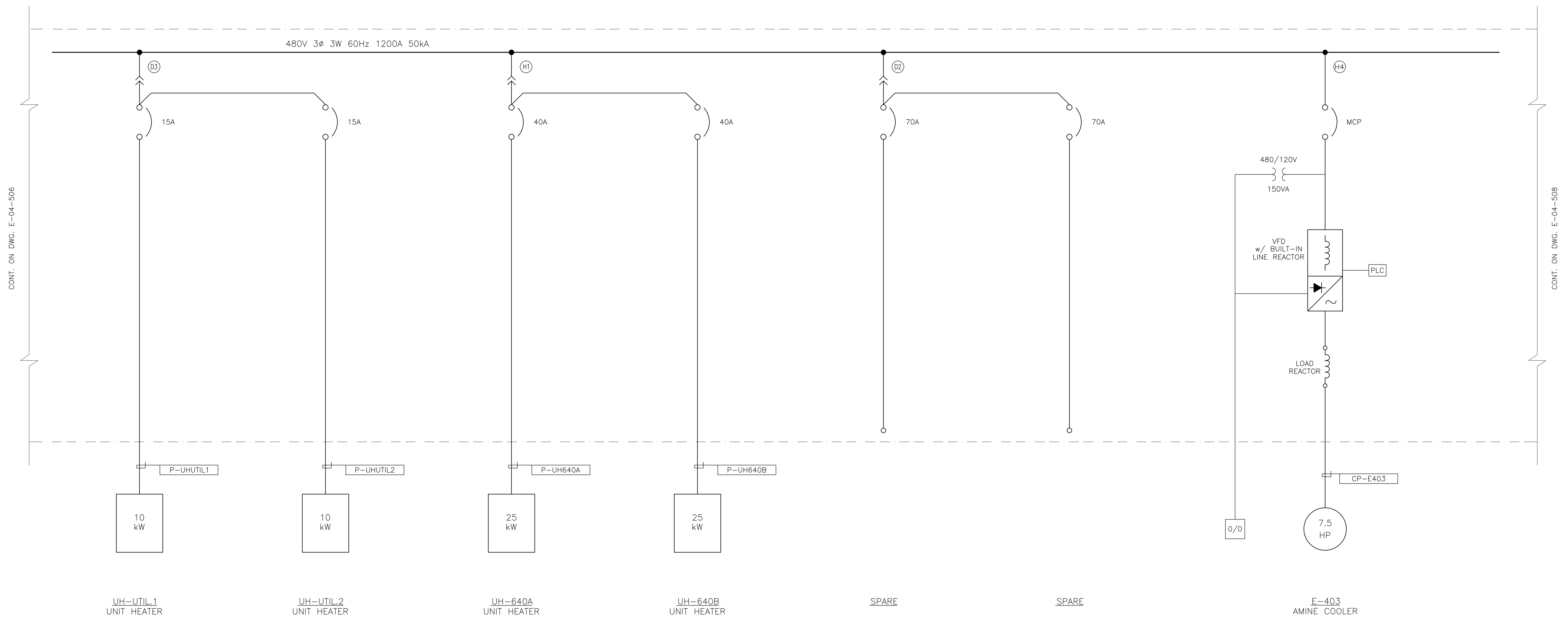
GENERAL NOTES:

- "POST CONSTRUCTION DRAWINGS" ARE GENERATED FROM CONSTRUCTION CHANGE INFORMATION FORWARDED TO BOWER DAMBERGER ROLSETH ENGINEERING LTD. BY THE OWNER'S FIELD SUPERVISORS AND/OR BIDDING CONTRACTORS. ANY CHANGES NOT DOCUMENTED WILL NOT APPEAR ON THE DRAWINGS AND THEREFORE THE DRAWING MAY NOT BE AN ACCURATE REPRESENTATION OF THE CONSTRUCTED FACILITY.
- PRIOR TO THE COMMENCEMENT OF ANY CONSTRUCTION AND/OR EXCAVATION IT SHALL BE THE RESPONSIBILITY OF THE OWNER'S REPRESENTATIVE TO VERIFY THE LOCATION AND STATUS OF ANY PIPING, ELECTRICAL EQUIPMENT OR BUILDINGS.
- ANY REVISIONS MADE TO EXISTING EQUIPMENT, PIPING OR ELECTRICAL ON A FACILITY NOT DESIGNED BY B.D.R. ENG. LTD. IS ONLY SHOWN AS A REPRESENTATION OF WHAT EXISTS AND MUST BE VERIFIED BY THE OWNER.

	BY	DATE
DESIGN	ATB	04.08.10
DRAWN	FC	04.08.10
CHK'D		
APP'D		
L.S.D.	15-10-62-06	W5M



FORT ENERGY CORPORATION		
CORBETT GAS PLANT 480VAC SINGLE LINE DIAGRAM		
SCALE	DRAWING NUMBER	REV
N/A	D-23212-E-04-506	3



CONT. ON DWG. E-04-506

CONT. ON DWG. E-04-508

NOTES:
1. CABLE TO BE RUN FOR FUTURE THERMISTOR.

NO.	REVISION	PROJECT	DSN	DRN	CHK'D	APP'D	DATE
3	POST CONSTRUCTION REVISIONS	43884	ATB	SM	ATB		05.02.02
2	ISSUED FOR CONSTRUCTION	43884	ATB	FC	ATB	WDS	04.11.01
1	ISSUED FOR FIELD BID	43884	ATB	FC	ATB		04.10.15
0	ISSUED FOR APPROVAL	43884	ATB	SM	ATB		04.09.28

PERMIT STAMP:	STAMP APPLIED TO REV. 2 ONLY
---------------	------------------------------

GENERAL NOTES:
1. "POST CONSTRUCTION DRAWINGS" ARE GENERATED FROM CONSTRUCTION CHANGE INFORMATION FORWARDED TO BOWER DAMBERGER ROLSETH ENGINEERING LTD. BY THE OWNER'S FIELD SUPERVISORS AND/OR FIELD CONTRACTORS. ANY CHANGES NOT DOCUMENTED WILL NOT APPEAR ON THE DRAWINGS AND THEREFORE THE DRAWING MAY NOT BE AN ACCURATE REPRESENTATION OF THE CONSTRUCTED FACILITY.
2. PRIOR TO THE COMMENCEMENT OF ANY CONSTRUCTION AND/OR EXCAVATION IT SHALL BE THE RESPONSIBILITY OF THE OWNER'S REPRESENTATIVE TO VERIFY THE LOCATION AND STATUS OF ANY PIPING, ELECTRICAL EQUIPMENT OR BUILDINGS.
3. ANY REVISIONS MADE TO EXISTING EQUIPMENT, PIPING OR ELECTRICAL ON A FACILITY NOT DESIGNED BY B.D.R. ENG. LTD. IS ONLY SHOWN AS A REPRESENTATION OF WHAT EXISTS AND MUST BE VERIFIED BY THE OWNER.

	BY	DATE
DESIGN	BGO	04.08.10
DRAWN	FC	04.08.10
CHK'D		
APP'D		
L.S.D.	15-10-62-06 WSM	

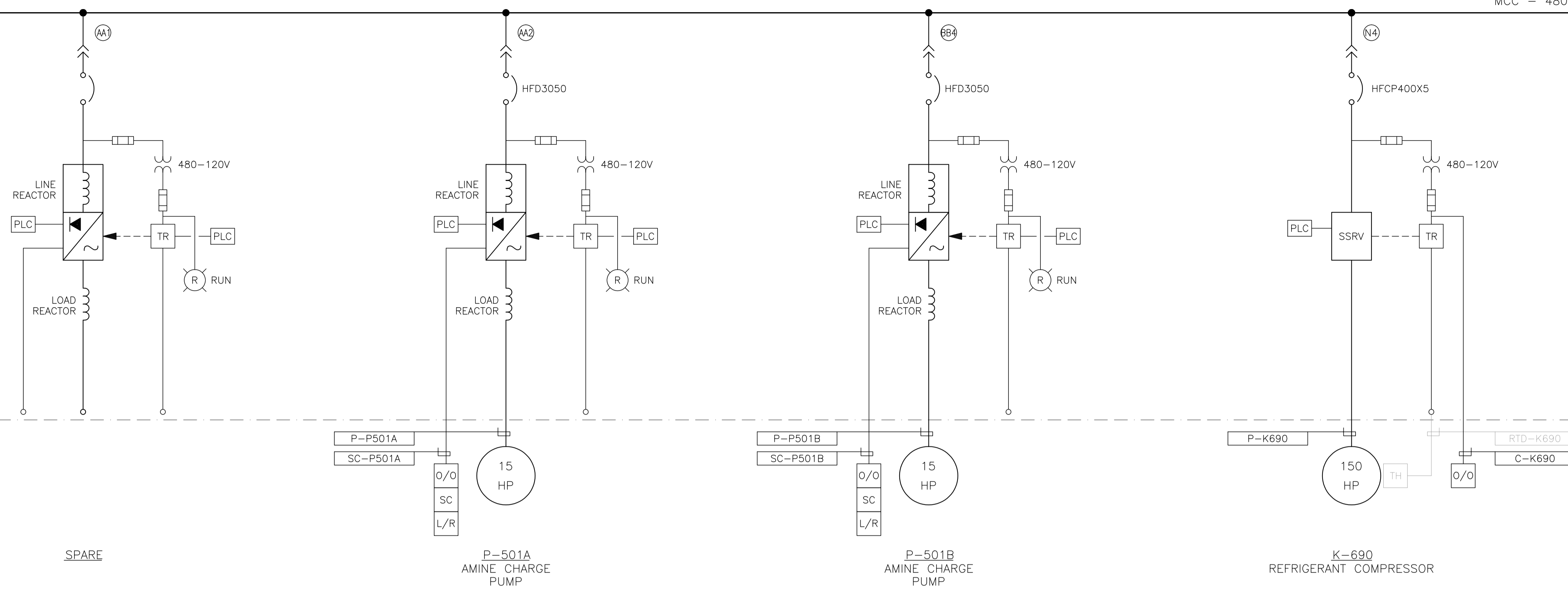


FORT ENERGY CORPORATION		
CORBETT GAS PLANT 480VAC MCC SINGLE LINE DIAGRAM		
SCALE	DRAWING NUMBER	REV
N/A	D-23212-E-04-507	6

CONT. ON DWG. E-04-507

CONT. TO BELOW

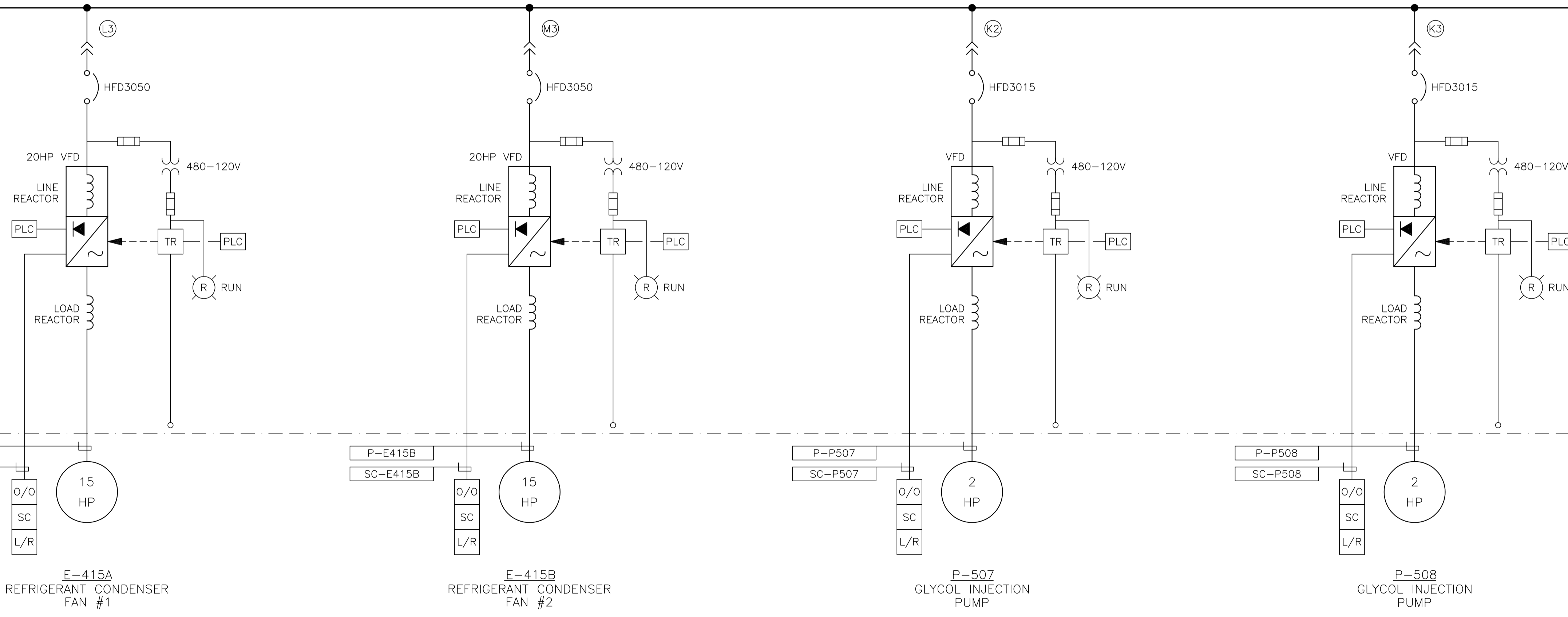
MCC - 480VAC 1200AMP BUS 50KA SYMMETRICAL



CONT. FROM ABOVE

CONT. ON DWG. E-04-509

MCC - 480VAC 1200AMP BUS 50KA SYMMETRICAL



NO.	REVISION	PROJECT	DSN	DRN	CHK'D	APP'D	DATE
4	POST CONSTRUCTION REVISIONS	43884	BGO	SRM			06.02.14
3	2005 EXPANSION ISSUED FOR CONSTRUCTION	43884	BGO	FC	BGO	RLB	05.10.19
2	2005 EXPANSION ISSUED FOR BID	43884	BGO	FC	BGO		05.09.26
1	2005 EXPANSION ISSUED FOR APPROVAL	43884	BGO	FC	BGO		05.09.06
0	POST CONSTRUCTION REVISIONS	43733	BGO	FC	BGO		05.09.06

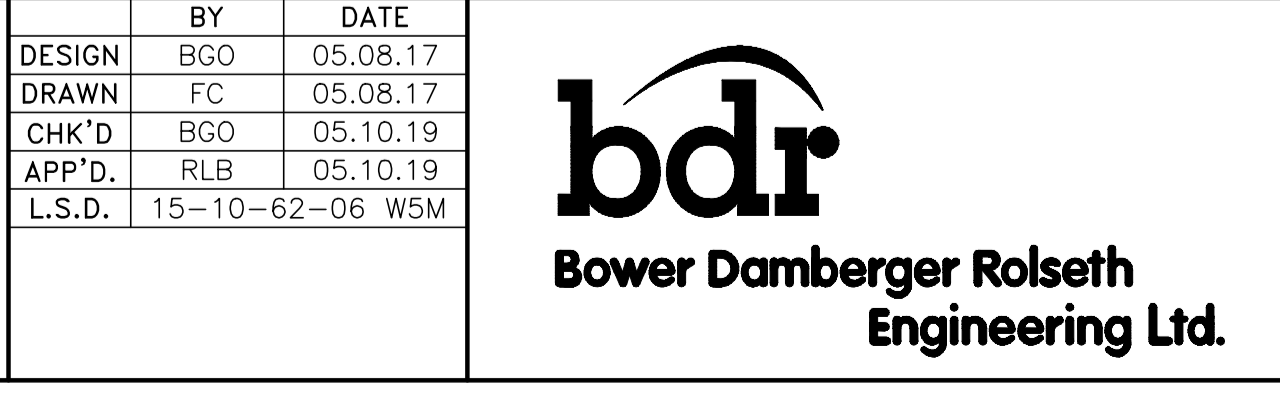
PERMIT STAMP:

STAMP APPLIED TO REV. 3 ONLY

GENERAL NOTES:

- "POST CONSTRUCTION REVISIONS" ARE GENERATED FROM CONSTRUCTION CHANGE INFORMATION FORWARDED TO BOWER DAMBERGER ROLSETH ENGINEERING LTD. BY THE OWNER'S FIELD SUPERVISORS AND/OR BIDDING CONTRACTORS. ANY CHANGES NOT DOCUMENTED WILL NOT APPEAR ON THE DRAWINGS AND THEREFORE THE DRAWING MAY NOT BE AN ACCURATE REPRESENTATION OF THE CONSTRUCTED FACILITY.
- PRIOR TO THE COMMENCEMENT OF ANY CONSTRUCTION AND/OR EXCAVATION IT SHALL BE THE RESPONSIBILITY OF THE OWNER'S REPRESENTATIVE TO VERIFY THE LOCATION AND STATUS OF ANY PIPING, ELECTRICAL, EQUIPMENT OR BUILDINGS.
- ANY REVISIONS MADE TO EXISTING EQUIPMENT, PIPING OR ELECTRICAL ON A FACILITY NOT DESIGNED BY B.D.R. ENG. LTD. IS ONLY SHOWN AS A REPRESENTATION OF WHAT EXISTS AND MUST BE VERIFIED BY THE OWNER.

DESIGN	BY	DATE
BGO	BGO	05.08.17
FC	FC	05.08.17
BGO	BGO	05.10.19
RLB	RLB	05.10.19
L.S.D.	15-10-62-06	W5M

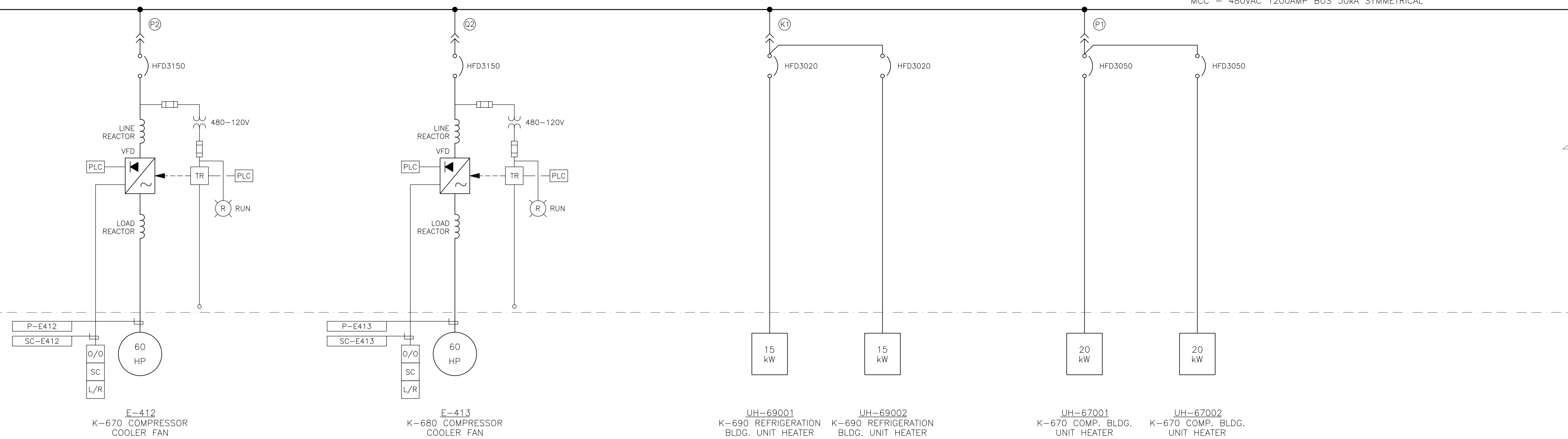


FORT ENERGY CORPORATION		
CORBETT GAS PLANT 480VAC MCC SINGLE LINE DIAGRAM		
SCALE	DRAWING NUMBER	REV
N/A	D-23212-E-04-508	4

CONT. ON DWG. E-04-508

CONT. TO BELOW

MCC - 480VAC 1200AMP BUS 50KA SYMMETRICAL



E-412
K-670 COMPRESSOR
COOLER FAN

E-413
K-680 COMPRESSOR
COOLER FAN

UH-69001
K-690 REFRIGERATION
BLDG. UNIT HEATER

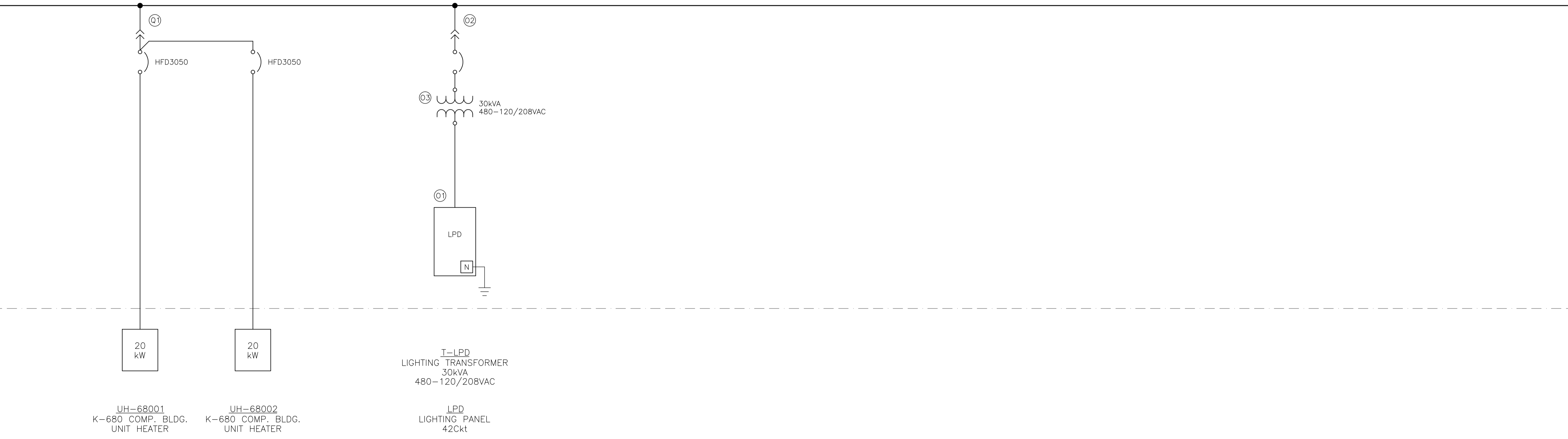
UH-69002
K-690 REFRIGERATION
BLDG. UNIT HEATER

UH-67001
K-670 COMP. BLDG.
UNIT HEATER

UH-67002
K-670 COMP. BLDG.
UNIT HEATER

CONT. FROM ABOVE

MCC - 480VAC 1200AMP BUS 50KA SYMMETRICAL



UH-68001
K-680 COMP. BLDG.
UNIT HEATER

UH-68002
K-680 COMP. BLDG.
UNIT HEATER

I-LPD
LIGHTING TRANSFORMER
30kVA
480-120/208VAC

LPD
LIGHTING PANEL
42Ckt

NO.	REVISION	PROJECT	DSN	DRN	CHK'D	APP'D	DATE
3	POST CONSTRUCTION REVISIONS	43884	BGO	SRM			06.02.14
2	2005 EXPANSION ISSUED FOR CONSTRUCTION	43884	BGO	FC	BGO	RLB	05.10.19
1	2005 EXPANSION ISSUED FOR BID	43884	BGO	FC	BGO		05.09.26
0	2005 EXPANSION ISSUED FOR APPROVAL	43884	BGO	FC	BGO		05.09.06

PERMIT STAMP:

STAMP APPLIED TO REV. 2 ONLY

GENERAL NOTES:

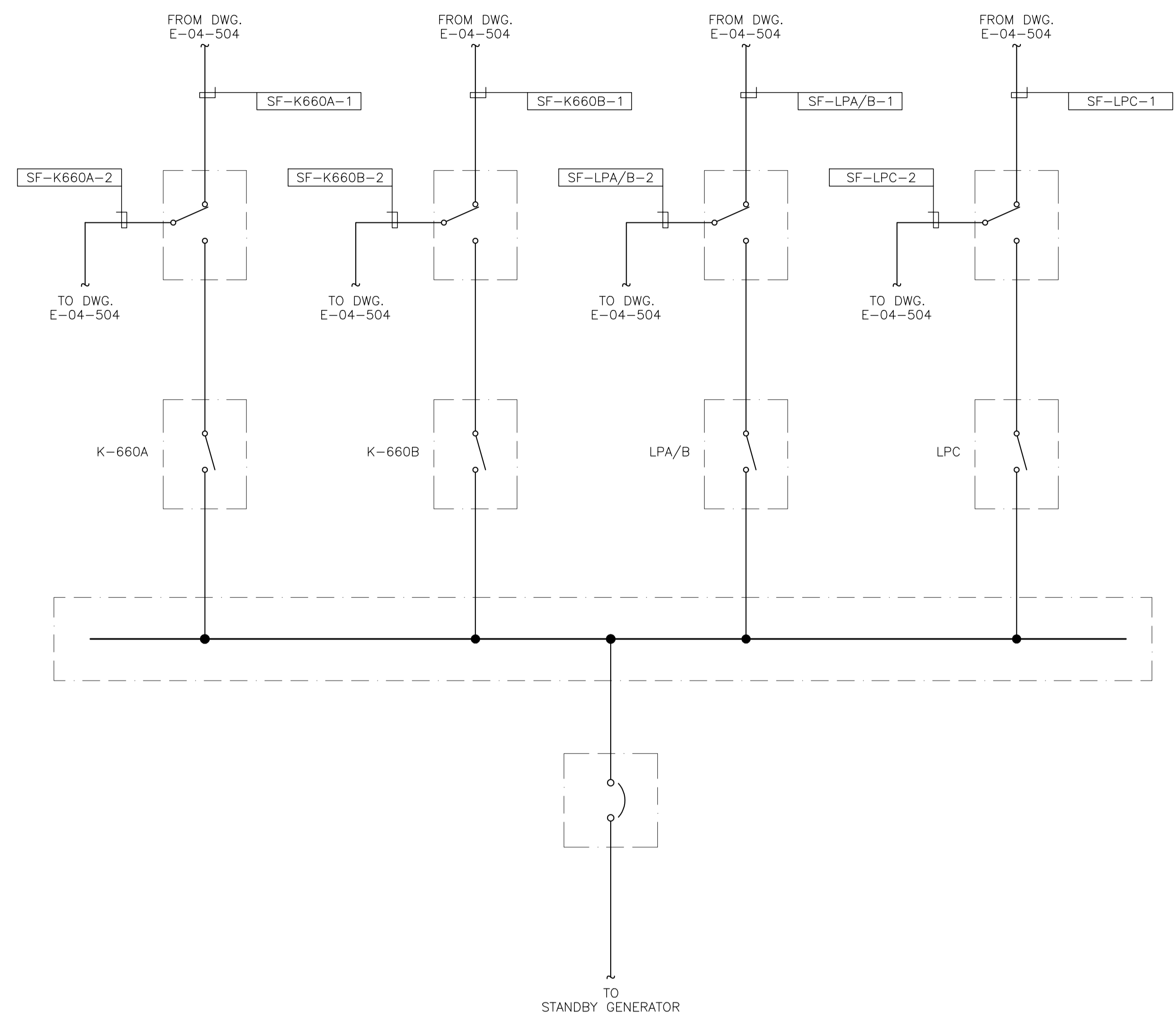
- "POST CONSTRUCTION DRAWINGS" ARE GENERATED FROM CONSTRUCTION CHANGE INFORMATION FORWARDED TO BOWER DAMBERGER ROLSETH ENGINEERING LTD. BY THE OWNER'S FIELD SUPERVISORS AND/OR BIDDING CONTRACTORS. ANY CHANGES NOT DOCUMENTED WILL NOT APPEAR ON THE DRAWINGS AND THEREFORE THE DRAWING MAY NOT BE AN ACCURATE REPRESENTATION OF THE CONSTRUCTED FACILITY.
- PRIOR TO THE COMMENCEMENT OF ANY CONSTRUCTION AND/OR EXCAVATION IT SHALL BE THE RESPONSIBILITY OF THE OWNER'S REPRESENTATIVE TO VERIFY THE LOCATION AND STATUS OF ANY PIPING, ELECTRICAL, EQUIPMENT OR BUILDINGS.
- ANY REVISIONS MADE TO EXISTING EQUIPMENT, PIPING OR ELECTRICAL ON A FACILITY NOT DESIGNED BY B.D.R. ENG. LTD. IS ONLY SHOWN AS A REPRESENTATION OF WHAT EXISTS AND MUST BE VERIFIED BY THE OWNER.

	BY	DATE
DESIGN	BGO	05.08.17
DRAWN	FC	05.08.17
CHK'D	BGO	05.10.19
APP'D	RLB	05.10.19
L.S.D.	15-10-62-06	W5M



FORT ENERGY CORPORATION
CORBETT GAS PLANT
480VAC MCC
SINGLE LINE DIAGRAM

SCALE	DRAWING NUMBER	REV
N/A	D-23212-E-04-509	3



-CONTRACTOR TO-
-FIELD AS-BUILT-
-SIZES-

RELOCATE TO INSTRUMENT
AIR COMPRESSOR ROOM

NO.	REVISION	PROJECT	DSN	DRN	CHK'D	APP'D	DATE
0	POST CONSTRUCTION REVISIONS	43733	BGO	FC	BGO		05.10.19

PERMIT STAMP:

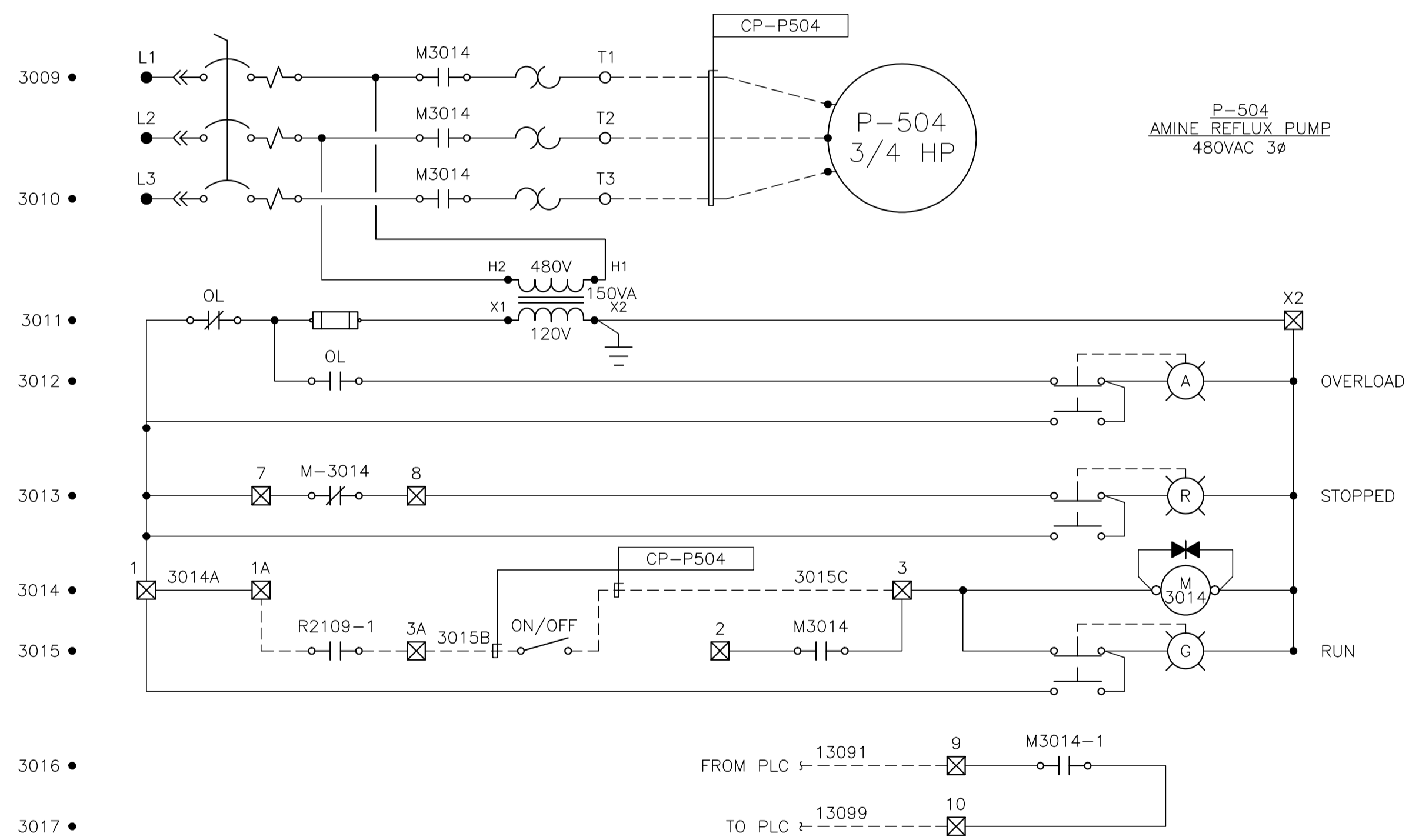
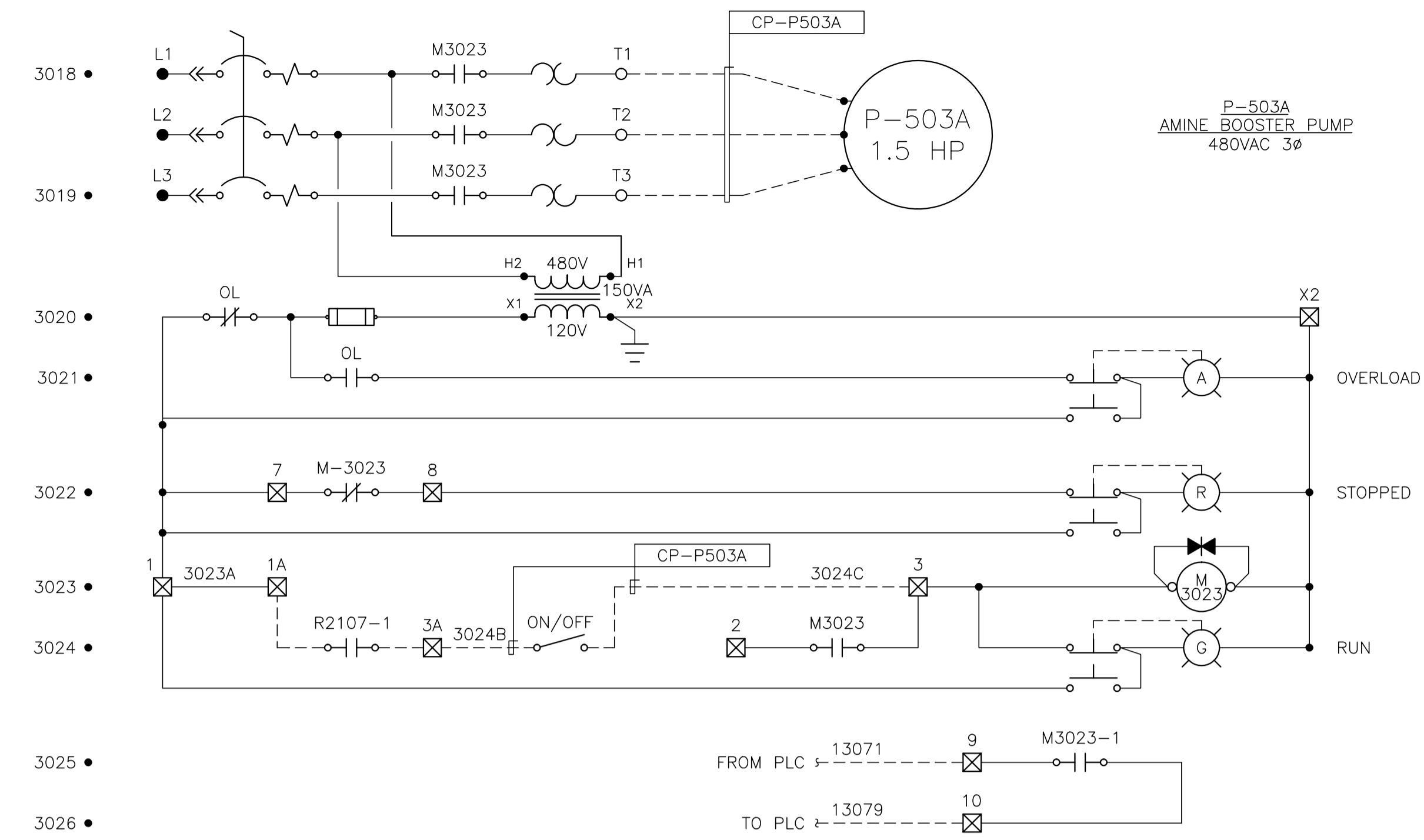
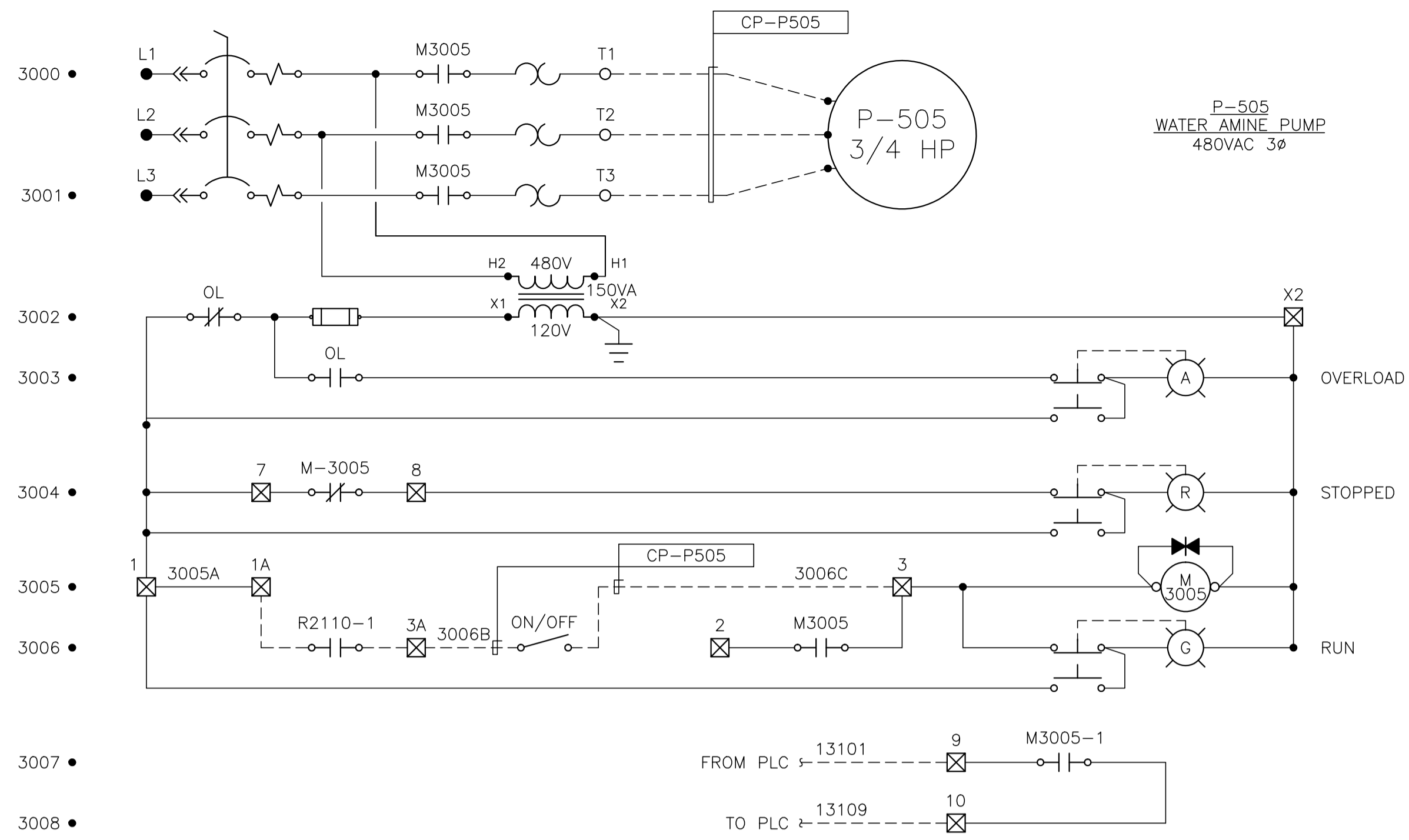
GENERAL NOTES:

- "POST CONSTRUCTION DRAWINGS" ARE GENERATED FROM CONSTRUCTION CHANGE INFORMATION FORWARDED TO BOWER DAMBERGER ROLSETH ENGINEERING LTD. BY THE OWNER'S FIELD SUPERVISORS AND/OR FIELD CONTRACTORS. ANY CHANGES NOT DOCUMENTED WILL NOT APPEAR ON THE DRAWINGS AND THEREFORE THE DRAWING MAY NOT BE AN ACCURATE REPRESENTATION OF THE CONSTRUCTED FACILITY.
- PRIOR TO THE COMMENCEMENT OF ANY CONSTRUCTION AND/OR EXCAVATION IT SHALL BE THE RESPONSIBILITY OF THE OWNER'S REPRESENTATIVE TO VERIFY THE LOCATION AND STATUS OF ANY PIPING, ELECTRICAL EQUIPMENT OR BUILDINGS.
- ANY REVISIONS MADE TO EXISTING EQUIPMENT, PIPING OR ELECTRICAL ON A FACILITY NOT DESIGNED BY B.D.R. ENG. LTD. IS ONLY SHOWN AS A REPRESENTATION OF WHAT EXISTS AND MUST BE VERIFIED BY THE OWNER.

	BY	DATE
DESIGN	BGO	05.10.14
DRAWN	FC	05.10.14
CHK'D		
APP'D		
L.S.D.	15-10-62-06	WSM



FORT ENERGY CORPORATION		
CORBETT GAS PLANT		
480VAC E-BUS DISTRIBUTION PANEL		
SINGLE LINE DIAGRAM		
SCALE	DRAWING NUMBER	REV
N/A	D-23212-E-04-551	0



NO.	REVISION	PROJ. No.	BY	DATE	CHK.	DATE
3	POST CONSTRUCTION REVISIONS	43733	SM	05.02.02	ATB	05.02.02
2	ISSUED FOR CONSTRUCTION	43733	FC	04.10.28	ATB	04.11.01
1	ISSUED FOR FIELD BID	43733	FC	04.10.15	ATB	04.10.15
0	ISSUED FOR APPROVAL	43733	SM	04.09.28	ATB	04.09.28

PERMIT STAMP:	STAMP APPLIED TO REV. 2 ONLY

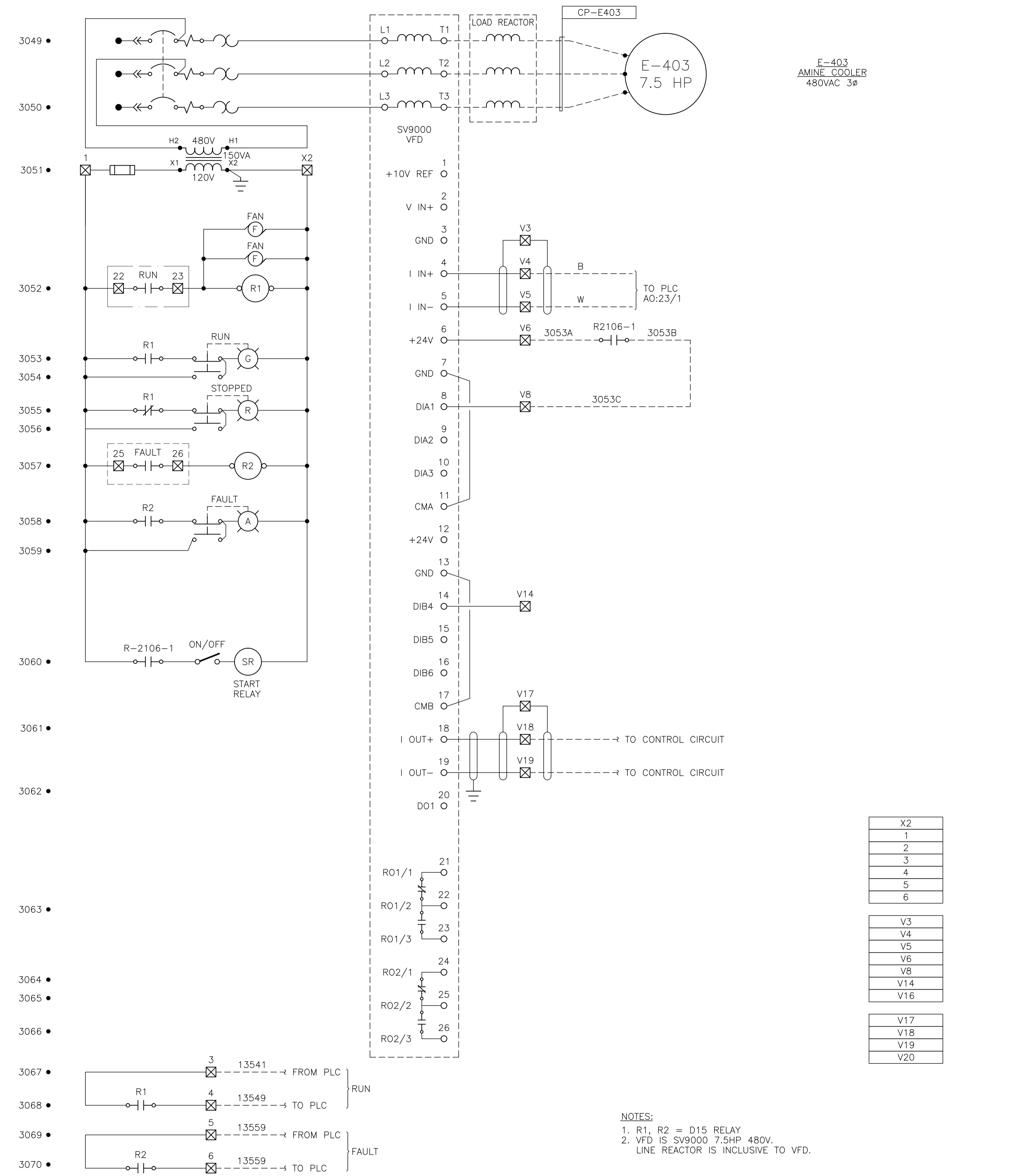
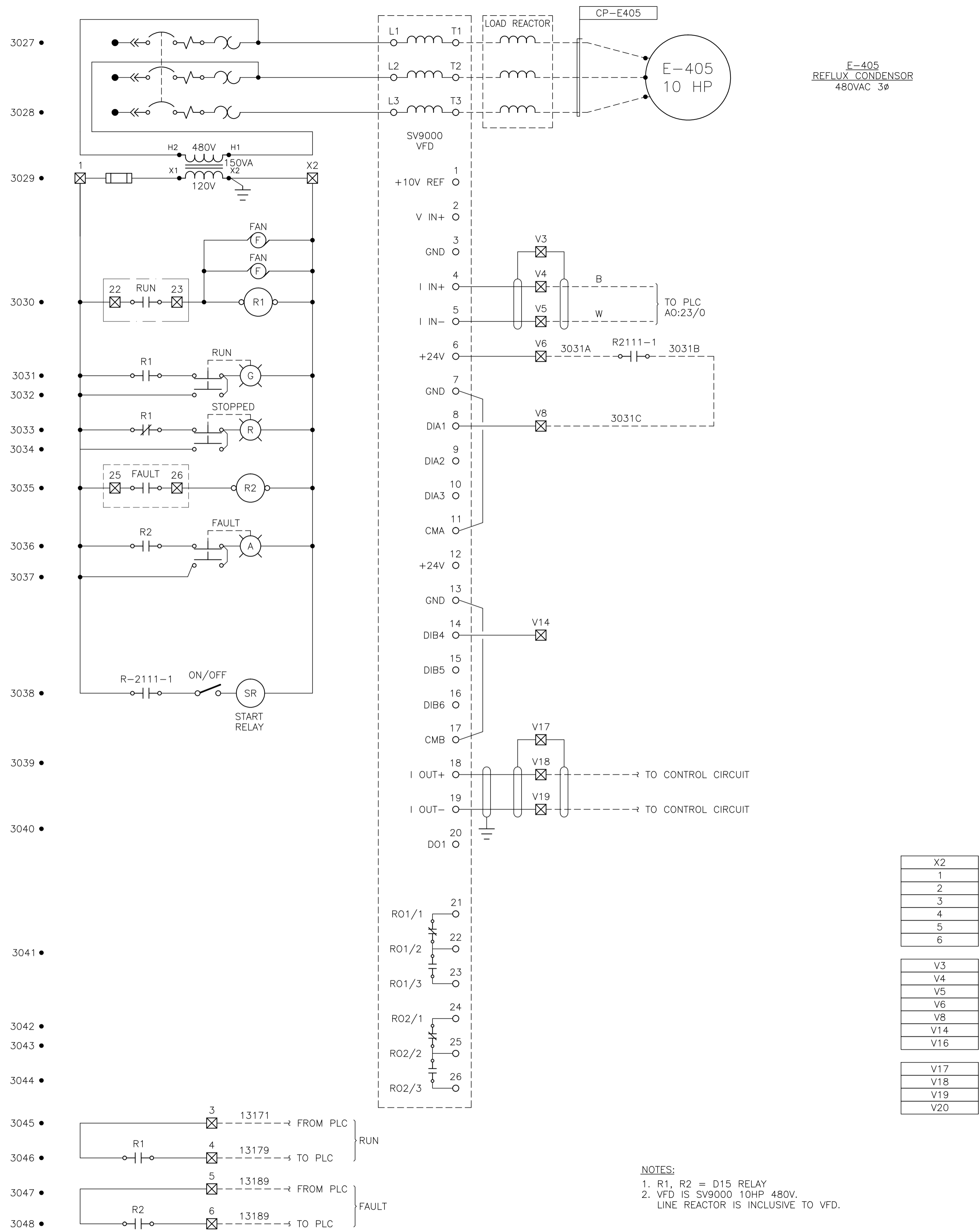
GENERAL NOTES:

- "POST CONSTRUCTION DRAWINGS" ARE GENERATED FROM CONSTRUCTION CHANGE INFORMATION FORWARDED TO BOWER DAMBERGER ROLSETH ENGINEERING LTD. BY THE OWNER'S FIELD SUPERVISORS AND/OR BIDDING CONTRACTORS. ANY CHANGES NOT DOCUMENTED WILL NOT APPEAR ON THE DRAWINGS AND THEREFORE THE DRAWING MAY NOT BE AN ACCURATE REPRESENTATION OF THE CONSTRUCTED FACILITY.
- PRIOR TO THE COMMENCEMENT OF ANY CONSTRUCTION AND/OR EXCAVATION IT SHALL BE THE RESPONSIBILITY OF THE OWNER'S REPRESENTATIVE TO VERIFY THE LOCATION AND STATUS OF ANY PIPING, ELECTRICAL, EQUIPMENT OR BUILDINGS.
- ANY REVISIONS MADE TO EXISTING EQUIPMENT, PIPING OR ELECTRICAL ON A FACILITY NOT DESIGNED BY B.D.R. ENG. LTD. IS ONLY SHOWN AS A REPRESENTATION OF WHAT EXISTS AND MUST BE VERIFIED BY THE OWNER.

DRN.	BY	DATE
CHK.	FC	04.08.10
APP'D.		
L.S.D.	15-10-62-06 WSM	



FORT ENERGY CORPORATION		
CORBETT GAS PLANT		
480VAC MOTOR CONTROL SCHEMATIC		
SCALE	DRAWING NUMBER	REV
N/A	D-23212-E-05-501	3



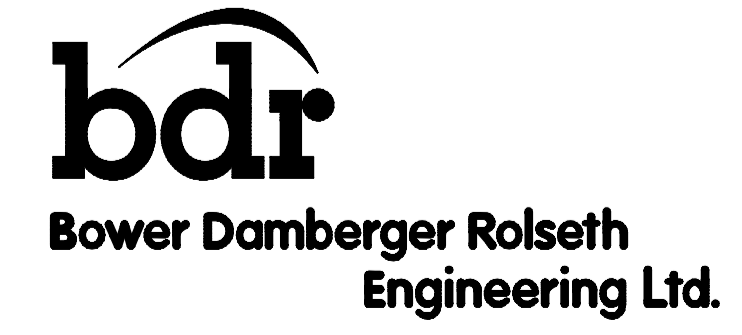
NO.	REVISION	PROJ. No.	BY	DATE	CHK.	DATE
3	POST CONSTRUCTION REVISIONS	43733	SM	05.02.02	ATB	05.02.02
2	ISSUED FOR CONSTRUCTION	43733	FC	04.10.28	ATB	04.11.01
1	ISSUED FOR FIELD BID	43733	FC	04.10.15	ATB	04.10.15
0	ISSUED FOR APPROVAL	43733	SM	04.09.28	ATB	04.09.28

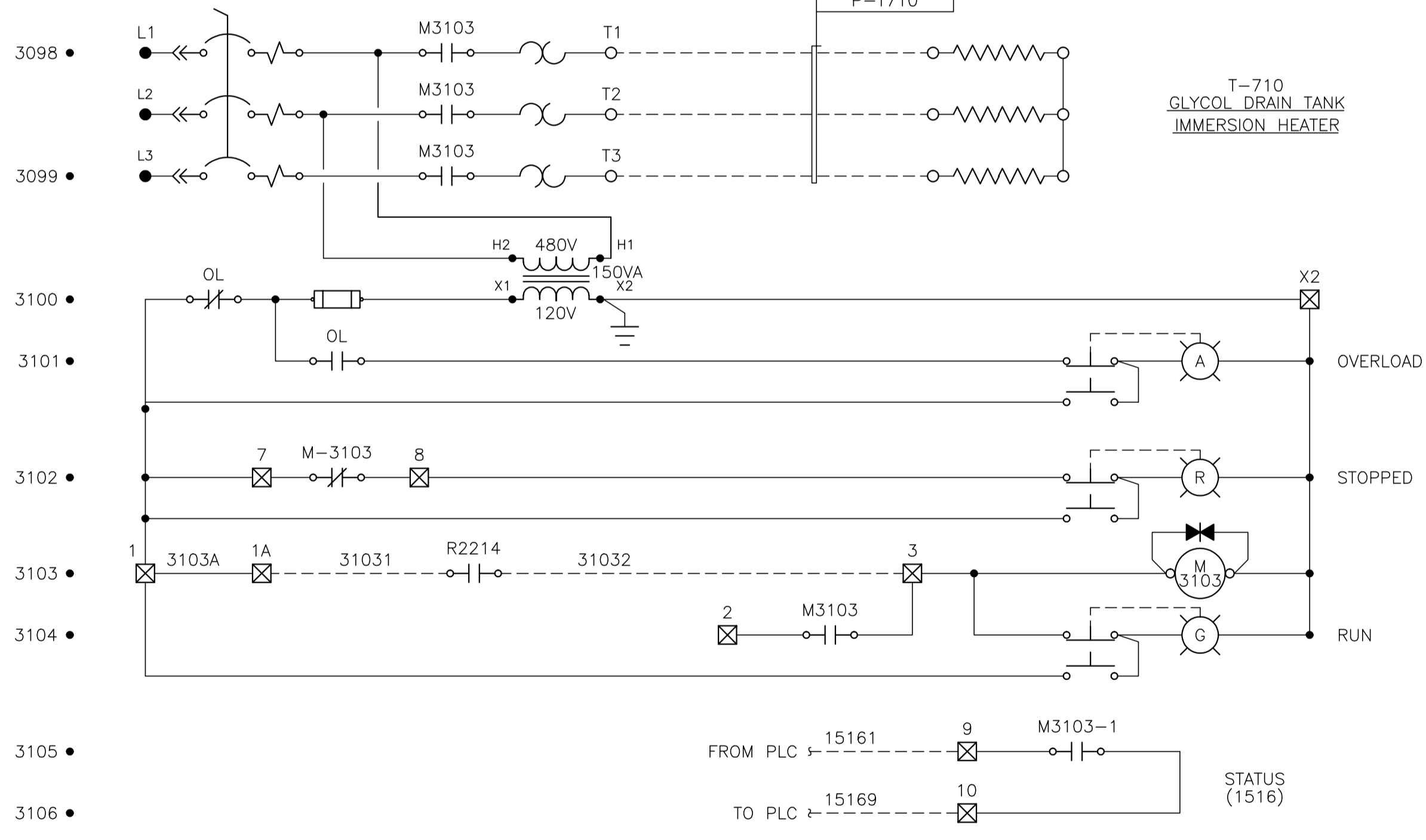
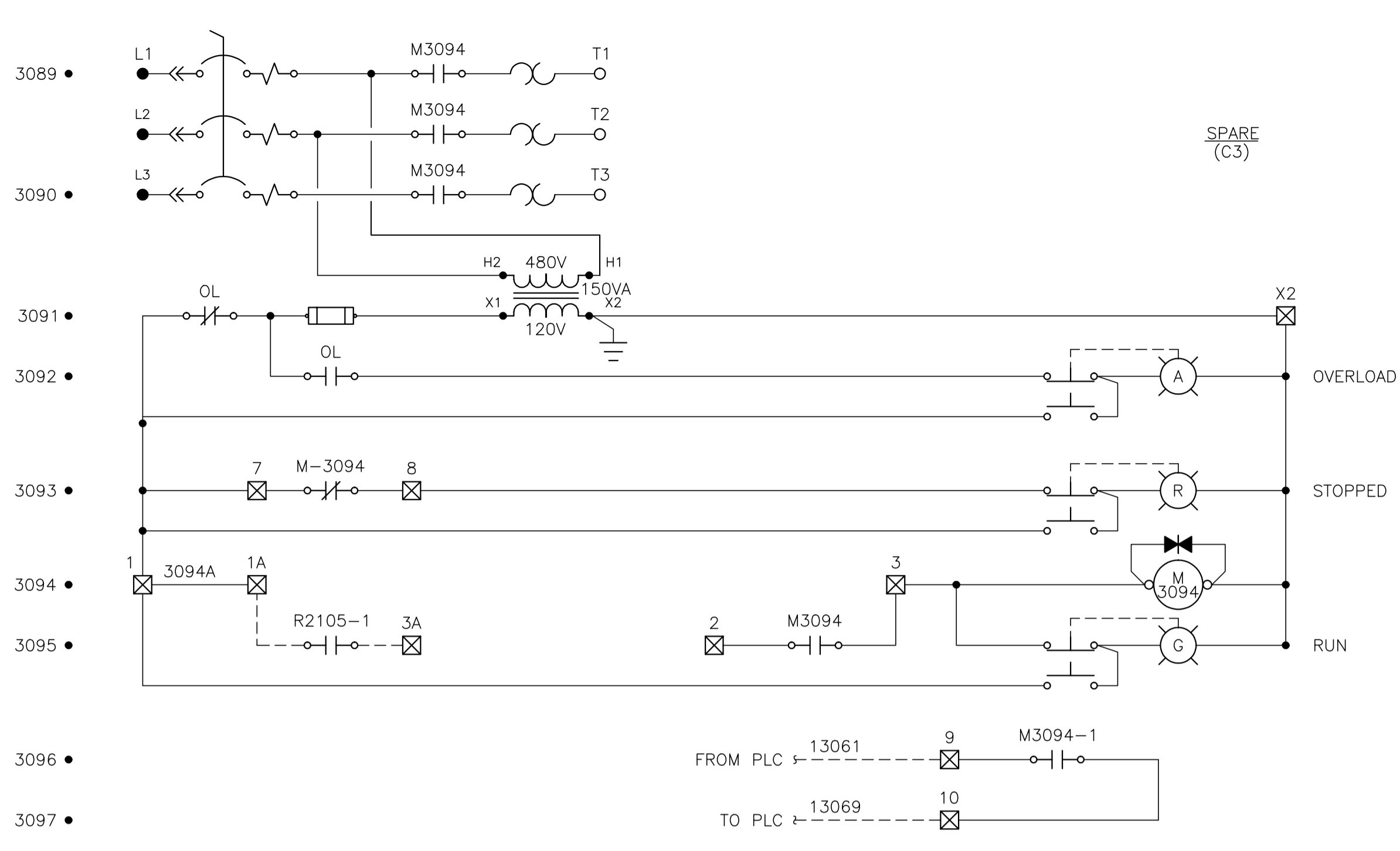
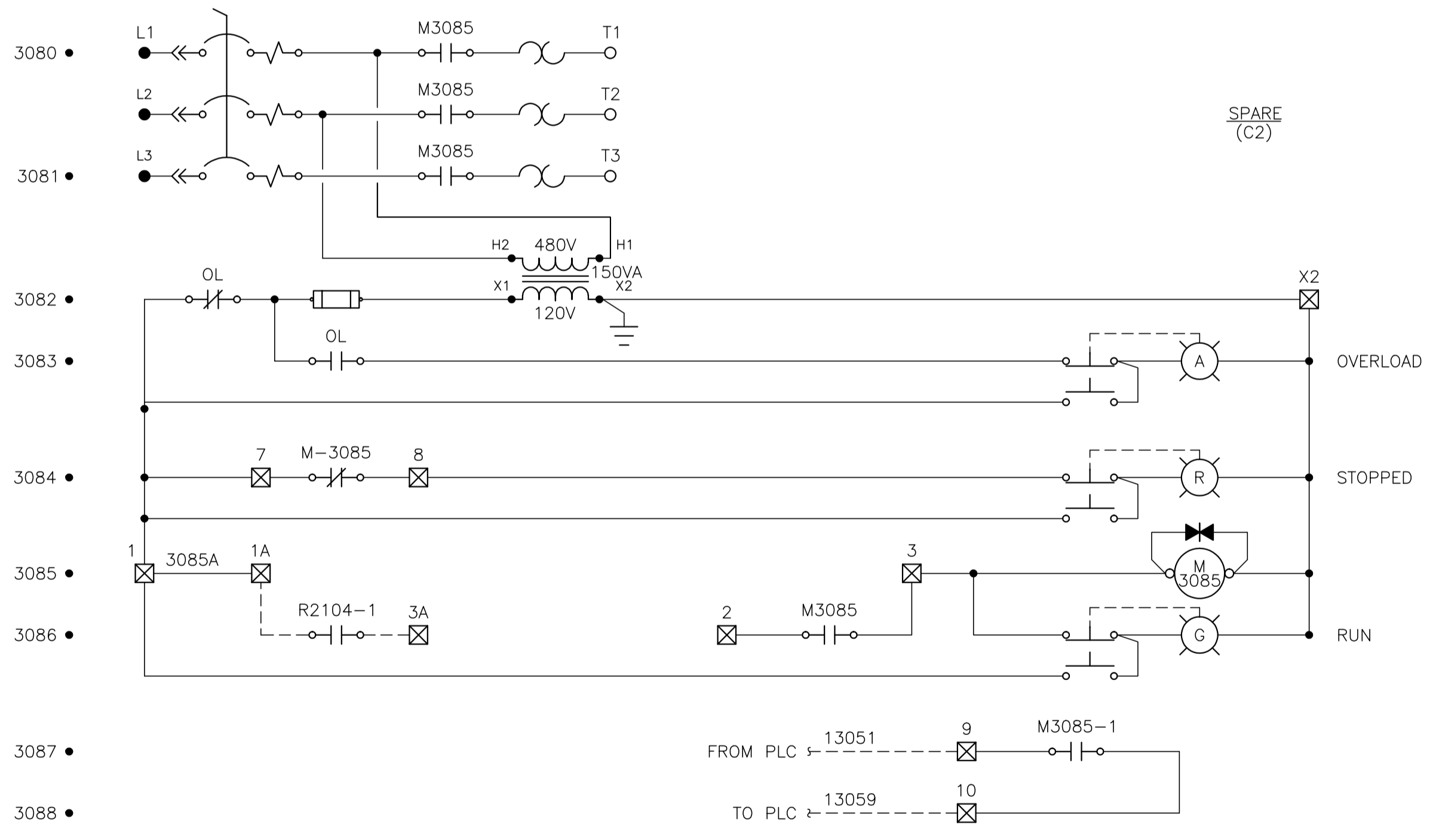
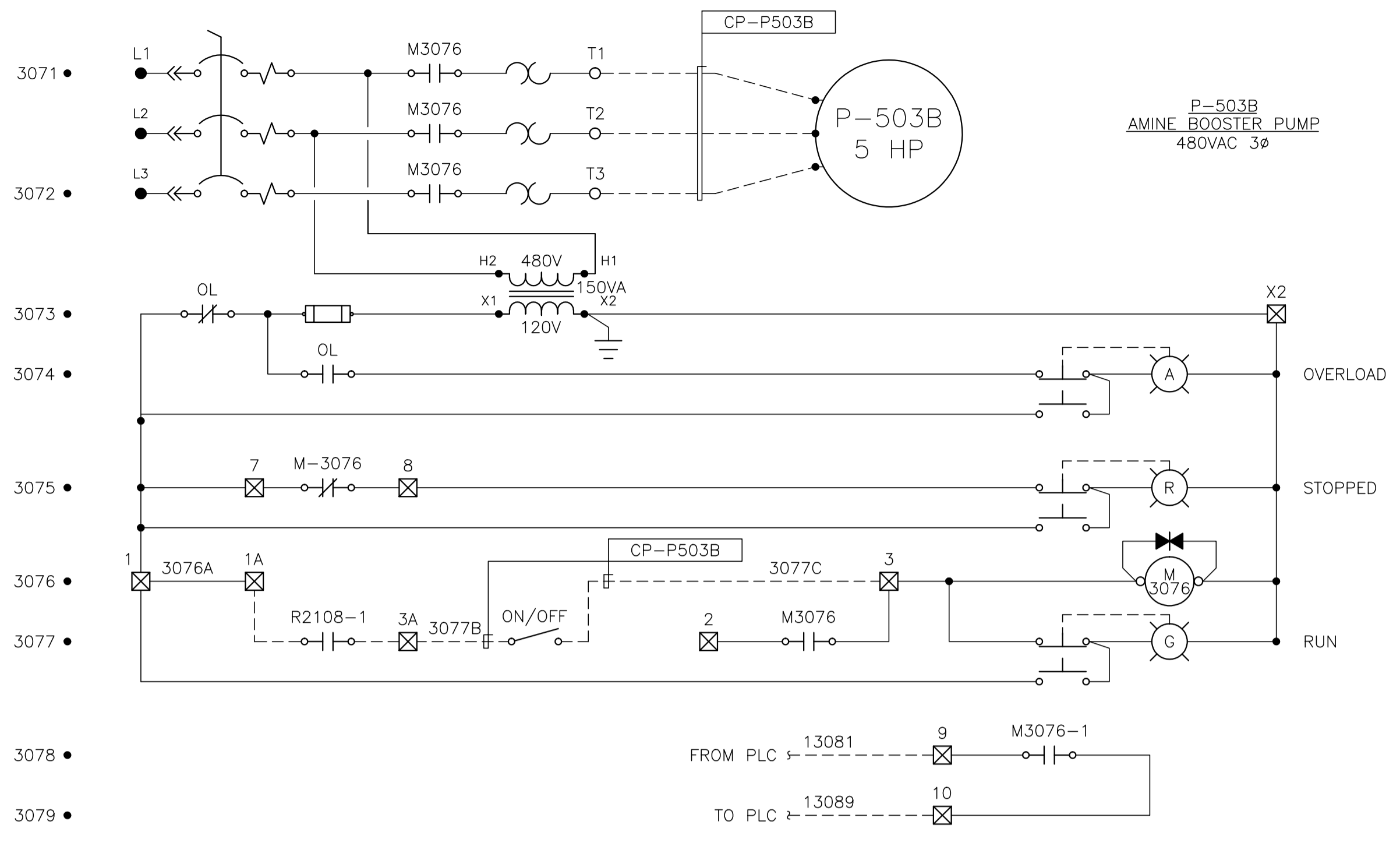
PERMIT STAMP:	STAMP APPLIED TO REV. 2 ONLY

GENERAL NOTES:	
1.	"POST CONSTRUCTION DRAWINGS" ARE GENERATED FROM CONSTRUCTION CHANGE INFORMATION FORWARDED TO BOWER DAMBERGER ROLSETH ENGINEERING LTD. BY THE OWNER'S FIELD SUPERVISORS AND/OR BIDDING CONTRACTORS. ANY CHANGES NOT DOCUMENTED WILL NOT APPEAR ON THE DRAWINGS AND THEREFORE THE DRAWING MAY NOT BE AN ACCURATE REPRESENTATION OF THE CONSTRUCTED FACILITY.
2.	PRIOR TO THE COMMENCEMENT OF ANY CONSTRUCTION AND/OR EXCAVATION IT SHALL BE THE RESPONSIBILITY OF THE OWNERS REPRESENTATIVE TO VERIFY THE LOCATION AND STATUS OF ANY PIPING, ELECTRICAL, EQUIPMENT OR BUILDINGS.
3.	ANY REVISIONS MADE TO EXISTING EQUIPMENT, PIPING OR ELECTRICAL ON A FACILITY NOT DESIGNED BY B.D.R. ENG. LTD. IS ONLY SHOWN AS A REPRESENTATION OF WHAT EXISTS AND MUST BE VERIFIED BY THE OWNER.

DRN.	BY	DATE
CHK.	FC	04.08.10
APP'D.		
L.S.D.	15-10-62-06 WSM	

FORT ENERGY CORPORATION		
CORBETT GAS PLANT		
480VAC MOTOR CONTROL SCHEMATIC		
SCALE	DRAWING NUMBER	REV
N/A	D-23212-E-05-502	3





NO.	REVISION	PROJECT	DSN	DRN	CHK'D	APP'D	DATE
3	POST CONSTRUCTION REVISIONS	43733	ATB	SM	ATB		05.02.02
2	ISSUED FOR CONSTRUCTION	43733	ATB	FC	ATB	WDS	04.11.01
1	ISSUED FOR FIELD BID	43733	ATB	FC	ATB		04.10.15
0	ISSUED FOR APPROVAL	43733	ATB	SM	ATB		04.09.28

PERMIT STAMP:

STAMP APPLIED TO REV. 2 ONLY

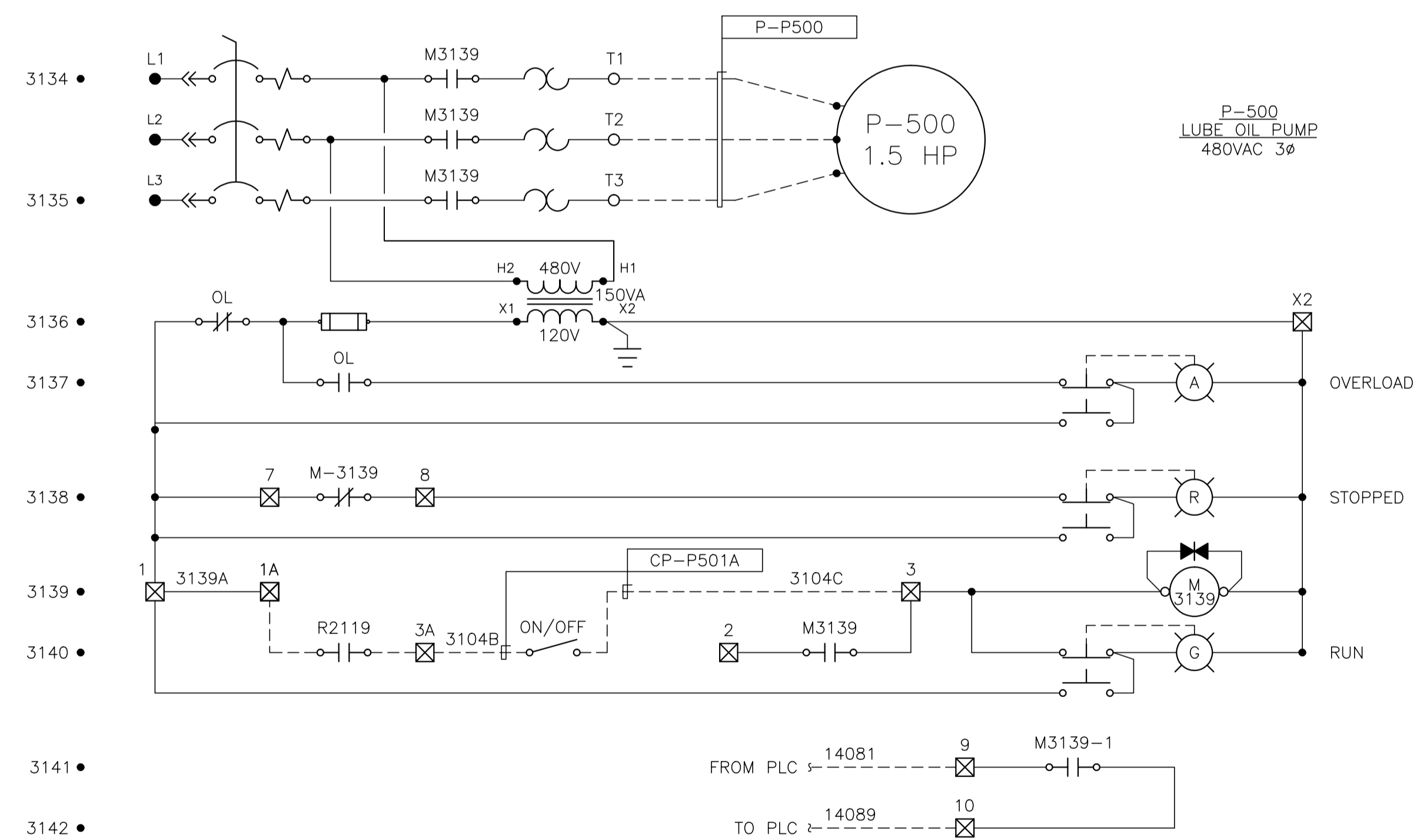
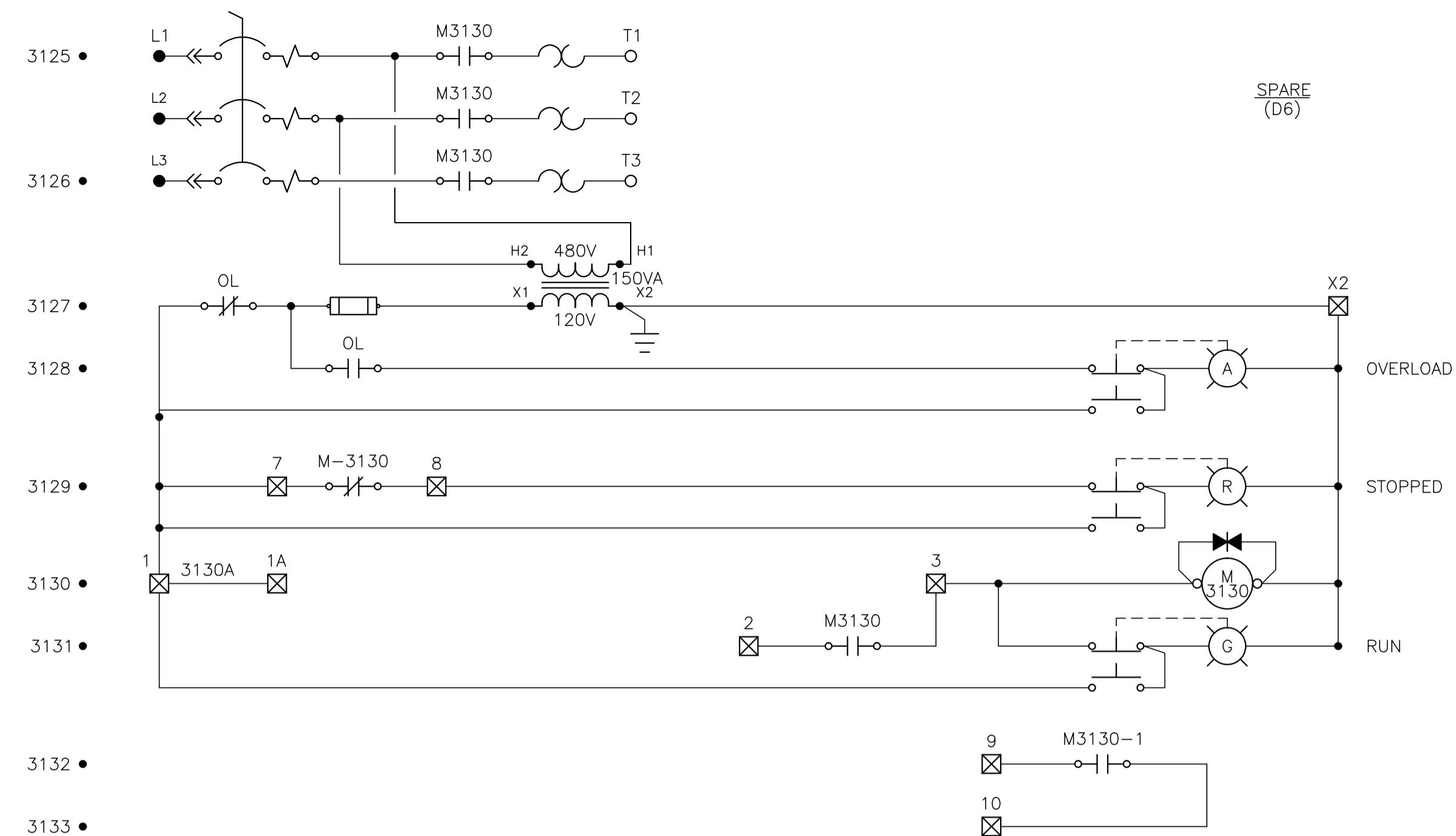
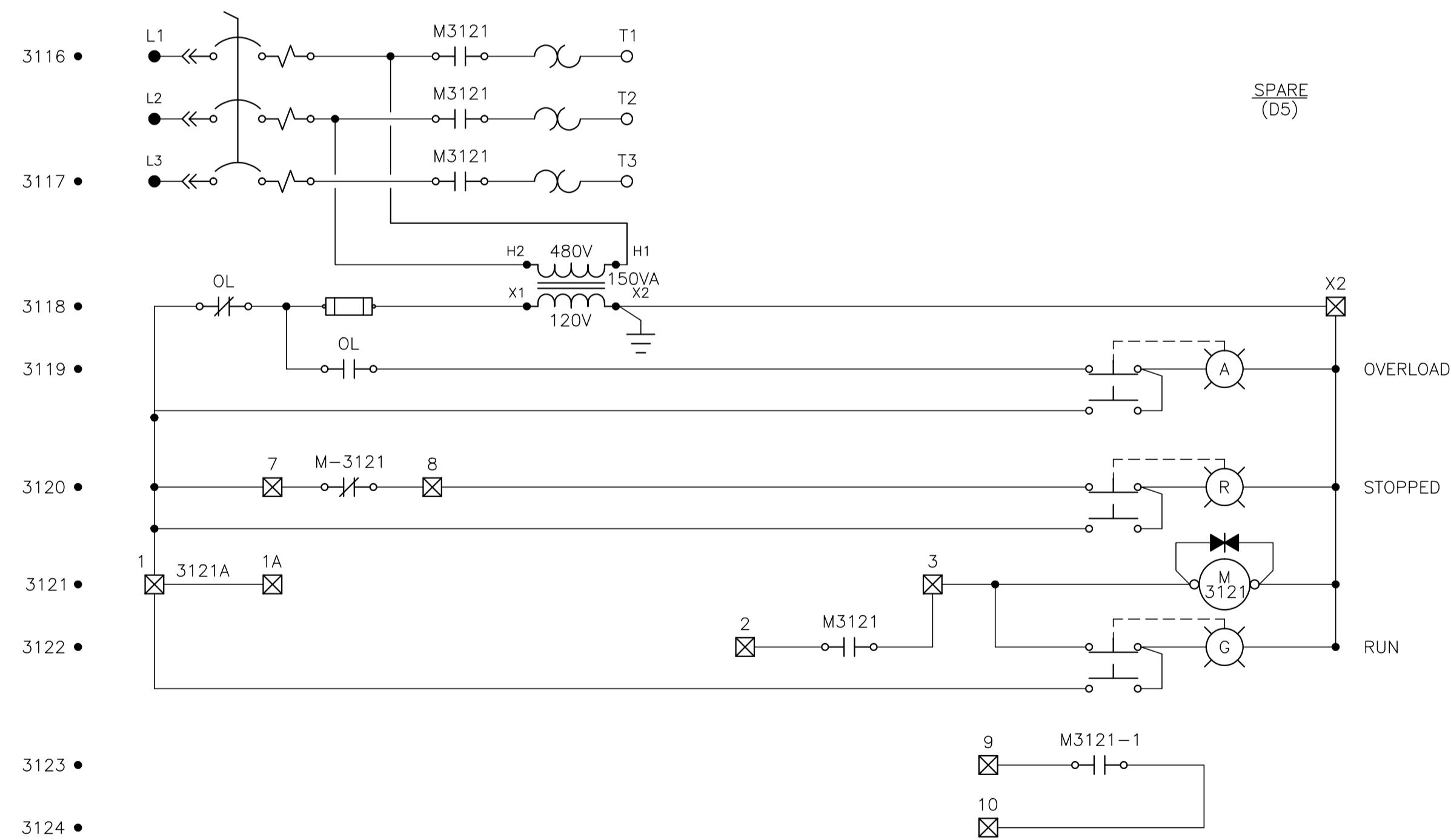
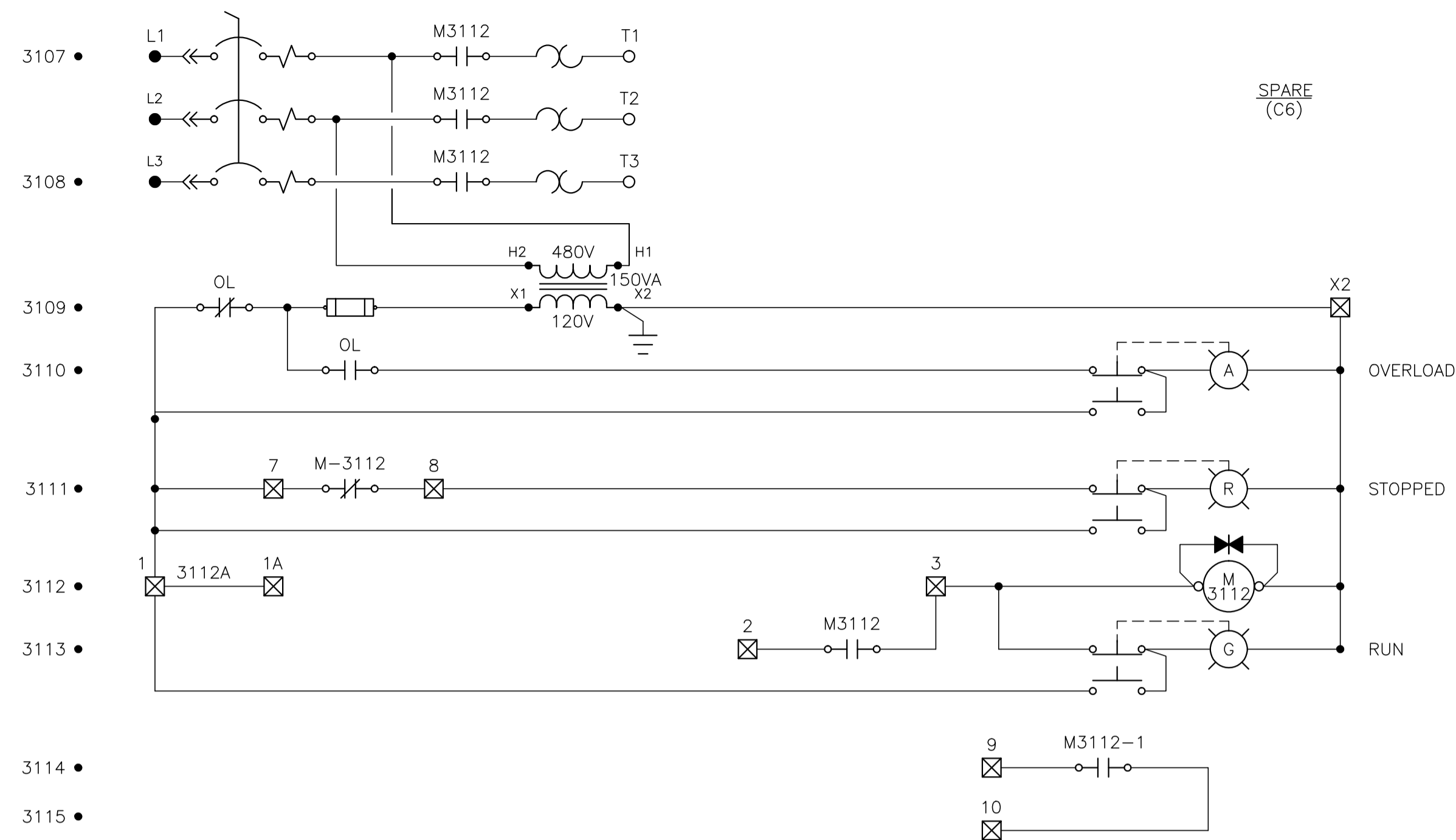
GENERAL NOTES:

- "POST CONSTRUCTION DRAWINGS" ARE GENERATED FROM CONSTRUCTION CHANGE INFORMATION FORWARDED TO BOWER DAMBERGER ROLSETH ENGINEERING LTD. BY THE OWNER'S FIELD SUPERVISORS AND/OR BIDDING CONTRACTORS. ANY CHANGES NOT DOCUMENTED WILL NOT APPEAR ON THE DRAWINGS AND THEREFORE THE DRAWING MAY NOT BE AN ACCURATE REPRESENTATION OF THE CONSTRUCTED FACILITY.
- PRIOR TO THE COMMENCEMENT OF ANY CONSTRUCTION AND/OR EXCAVATION IT SHALL BE THE RESPONSIBILITY OF THE OWNER'S REPRESENTATIVE TO VERIFY THE LOCATION AND STATUS OF ANY PIPING, ELECTRICAL EQUIPMENT OR BUILDINGS.
- ANY REVISIONS MADE TO EXISTING EQUIPMENT, PIPING OR ELECTRICAL ON A FACILITY NOT DESIGNED BY B.D.R. ENG. LTD. IS ONLY SHOWN AS A REPRESENTATION OF WHAT EXISTS AND MUST BE VERIFIED BY THE OWNER.

DESIGN	BY	DATE
ATB	ATB	04.08.10
DRAWN	FC	04.08.10
CHK'D		
APP'D.		
L.S.D.	15-10-62-06	W5M



FORT ENERGY CORPORATION		
CORBETT GAS PLANT 480VAC MOTOR CONTROL SCHEMATICS		
SCALE	DRAWING NUMBER	REV
N/A	D-23212-E-05-503	3



NO.	REVISION	PROJ. No.	BY	DATE	CHK.	DATE
3	POST CONSTRUCTION REVISIONS	43733	SM	05.02.02	ATB	05.02.02
2	ISSUED FOR CONSTRUCTION	43733	FC	04.10.28	ATB	04.11.01
1	ISSUED FOR FIELD BID	43733	FC	04.10.15	ATB	04.10.15
0	ISSUED FOR APPROVAL	43733	SM	04.09.28	ATB	04.09.28

PERMIT STAMP:

STAMP APPLIED TO REV. 2 ONLY

GENERAL NOTES:

- "POST CONSTRUCTION DRAWINGS" ARE GENERATED FROM CONSTRUCTION CHANGE INFORMATION FORWARDED TO BOWER DAMBERGER ROLSETH ENGINEERING LTD. BY THE OWNER'S FIELD SUPERVISORS AND/OR BIDDING CONTRACTORS. ANY CHANGES NOT DOCUMENTED WILL NOT APPEAR ON THE DRAWINGS AND THEREFORE THE DRAWING MAY NOT BE AN ACCURATE REPRESENTATION OF THE CONSTRUCTED FACILITY.
- PRIOR TO THE COMMENCEMENT OF ANY CONSTRUCTION AND/OR EXCAVATION IT SHALL BE THE RESPONSIBILITY OF THE OWNER'S REPRESENTATIVE TO VERIFY THE LOCATION AND STATUS OF ANY PIPING, ELECTRICAL EQUIPMENT AND STRUCTURE.
- ANY REVISIONS MADE TO EXISTING EQUIPMENT, PIPING OR ELECTRICAL ON A FACILITY NOT DESIGNED BY B.D.R. ENG. LTD. IS ONLY SHOWN AS A REPRESENTATION OF WHAT EXISTS AND MUST BE VERIFIED BY THE OWNER.

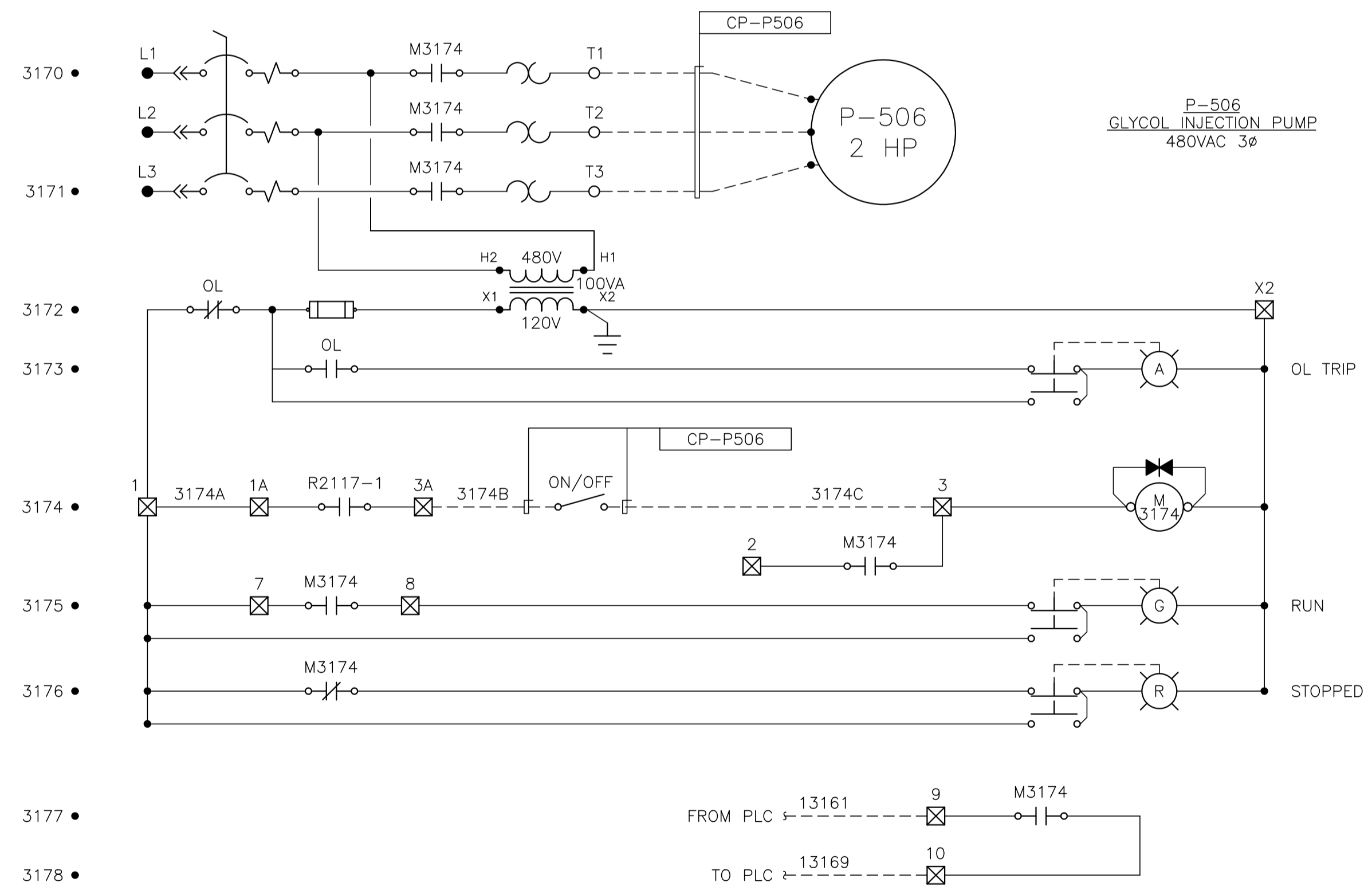
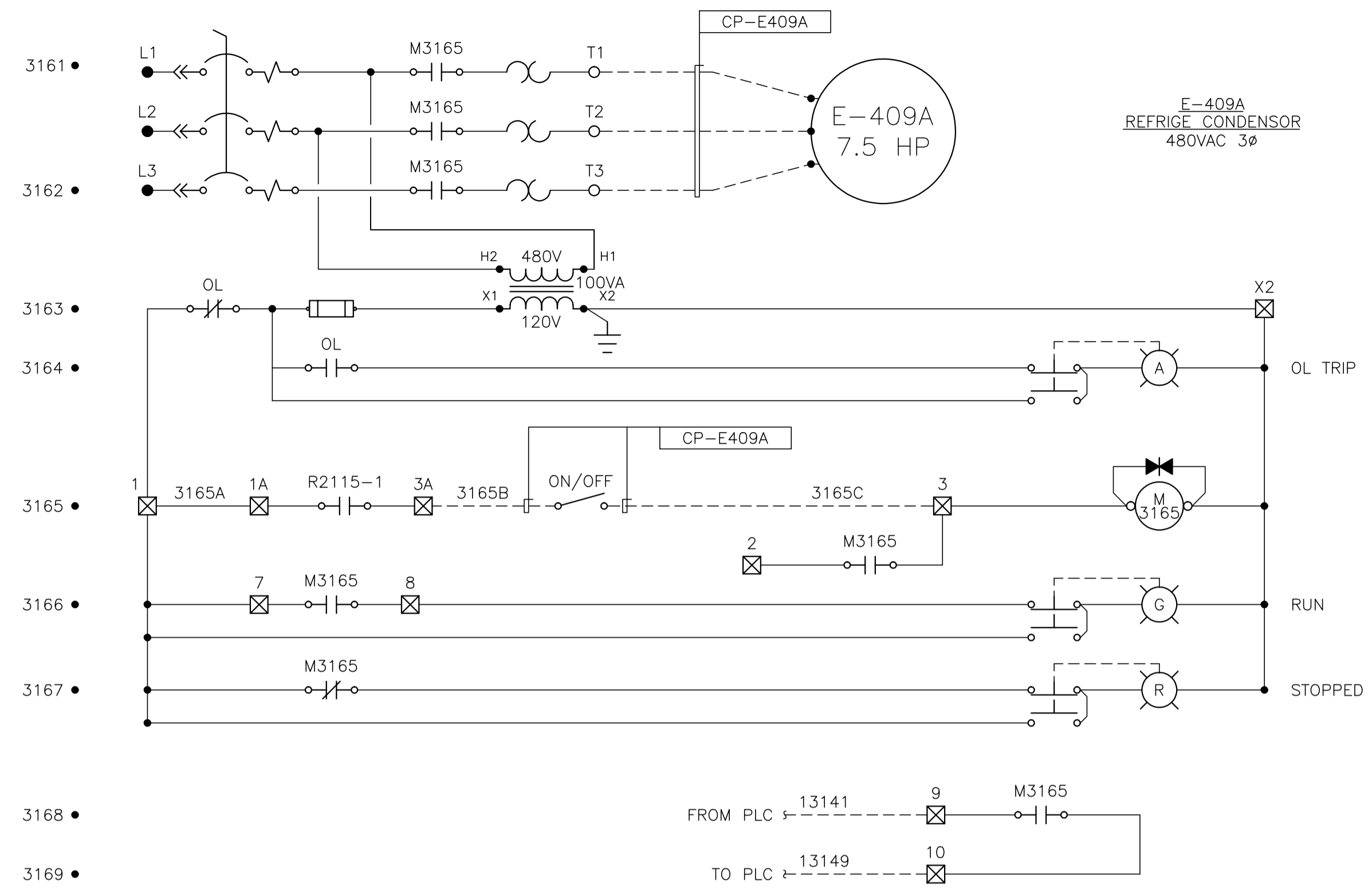
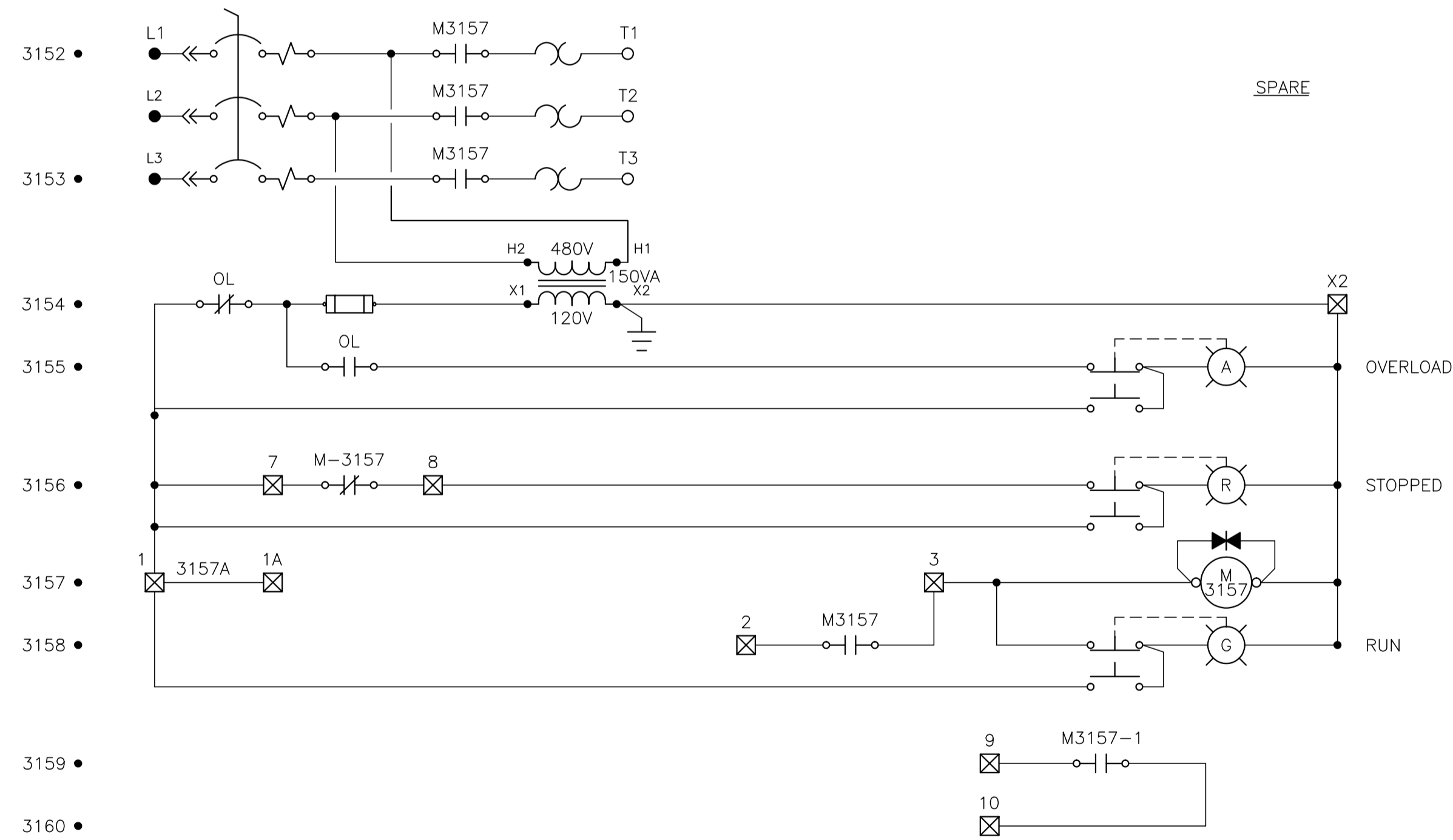
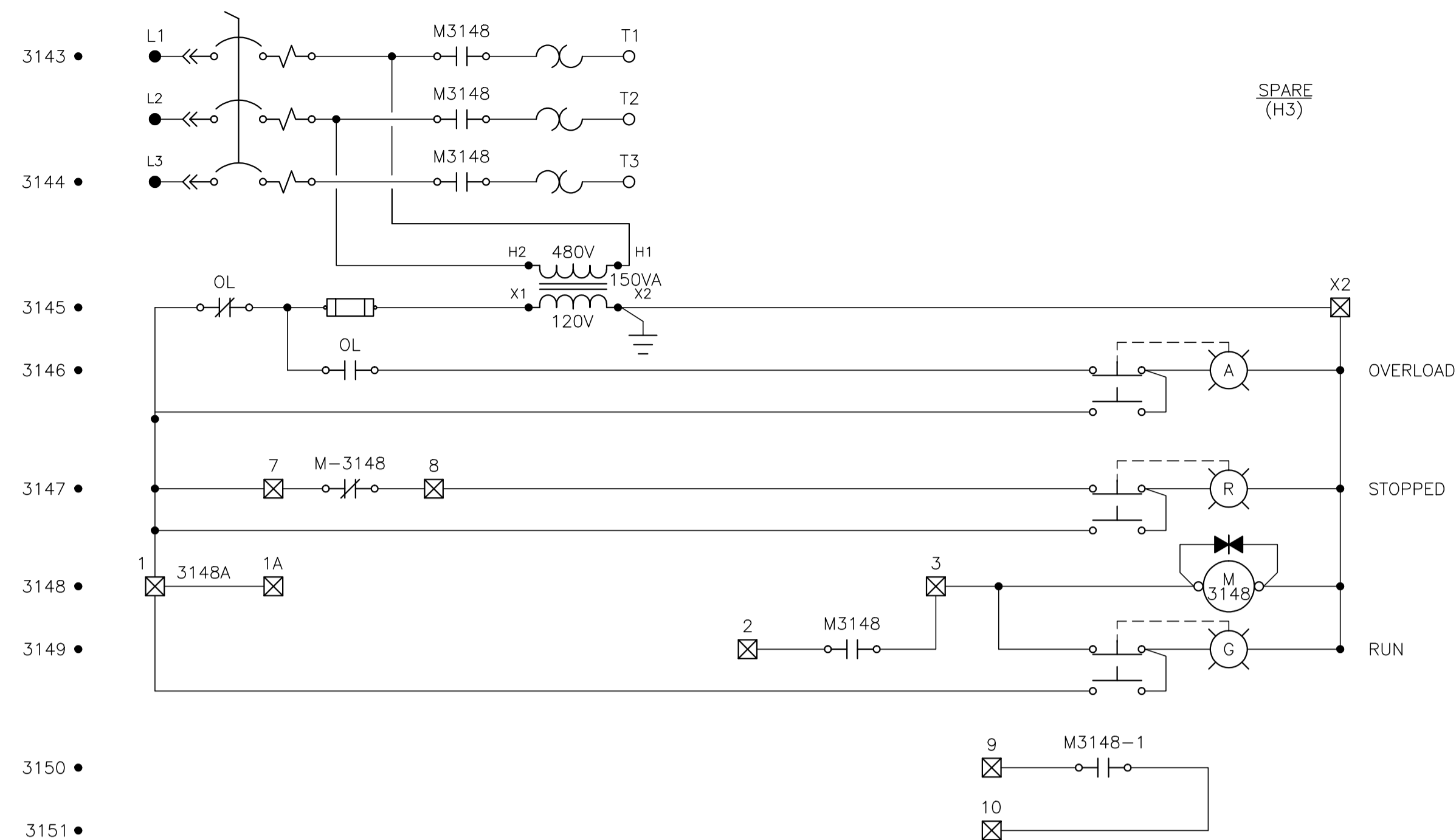
DRN.	BY	DATE
CHK.	FC	04.08.10
APP'D.		
L.S.D.	15-10-62-06 W5M	

bdr
Bower Damberger Rolseth
Engineering Ltd.

FORT ENERGY CORPORATION

CORBETT GAS PLANT
480VAC MOTOR CONTROL SCHEMATIC

SCALE	DRAWING NUMBER	REV
N/A	D-23212-E-05-504	3



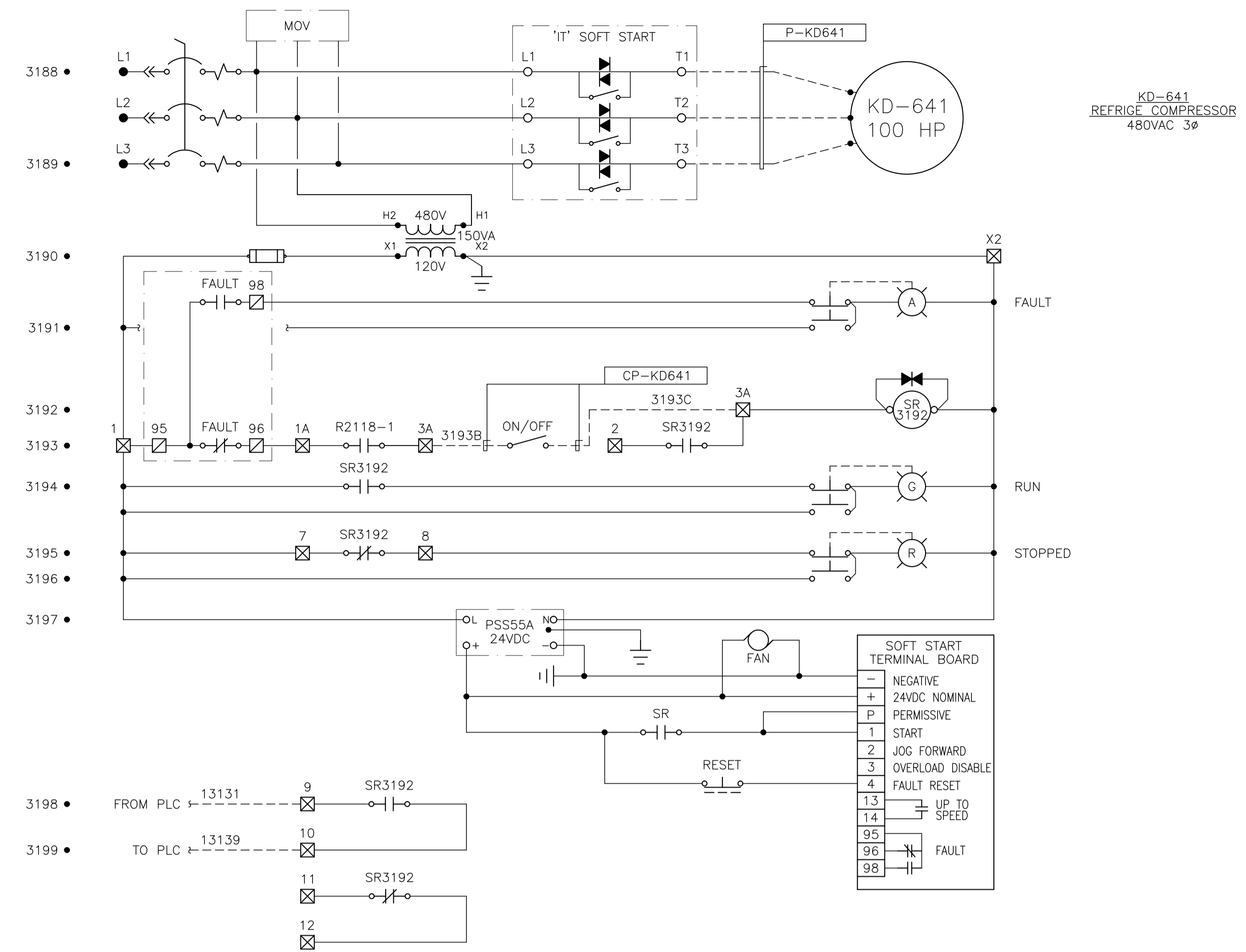
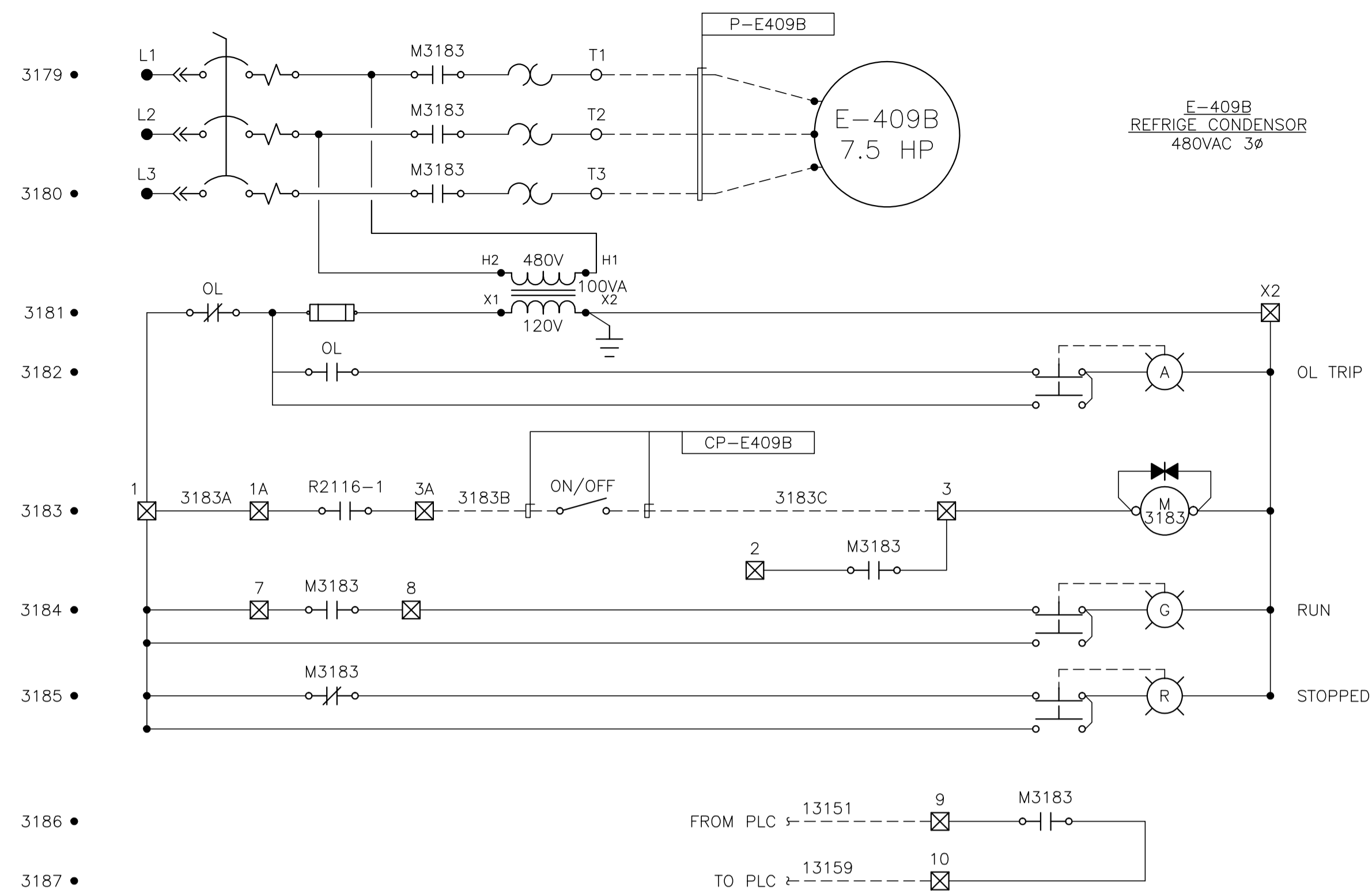
NO.	REVISION	PROJ. No.	BY	DATE	CHK.	DATE
3	POST CONSTRUCTION REVISIONS	43733	SM	05.02.02	ATB	05.02.02
2	ISSUED FOR CONSTRUCTION	43733	FC	04.10.28	ATB	04.11.01
1	ISSUED FOR FIELD BID	43733	FC	04.10.15	ATB	04.10.15
0	ISSUED FOR APPROVAL	43733	SM	04.09.28	ATB	04.09.28

PERMIT STAMP:	STAMP APPLIED TO REV. 2 ONLY

GENERAL NOTES:		
1.	"POST CONSTRUCTION DRAWINGS" ARE GENERATED FROM CONSTRUCTION CHANGE INFORMATION FORWARDED TO BOWER DAMBERGER ROLSETH ENGINEERING LTD. BY THE OWNER'S FIELD SUPERVISOR AND/OR MINE CONTRACTORS. ANY CHANGES NOT DOCUMENTED WILL NOT APPEAR ON THE DRAWINGS AND THEREFORE THE DRAWING MAY NOT BE AN ACCURATE REPRESENTATION OF THE CONSTRUCTED FACILITY.	BY DATE FC 04.08.10
2.	PRIOR TO THE COMMENCEMENT OF ANY CONSTRUCTION AND/OR EXCAVATION IT SHALL BE THE RESPONSIBILITY OF THE OWNERS REPRESENTATIVE TO VERIFY THE LOCATION AND STATUS OF ANY PIPING, ELECTRICAL EQUIPMENT OR BUILDINGS.	CHK. APP'D. L.S.D.
3.	ANY REVISIONS MADE TO EXISTING EQUIPMENT PIPING OR ELECTRICAL ON A FACILITY NOT DESIGNED BY B.D.R. ENG. LTD. IS ONLY SHOWN AS A REPRESENTATION OF WHAT EXISTS AND MUST BE VERIFIED BY THE OWNER.	15-10-62-06 WSM

bdr
Bower Damberger Rolseth
Engineering Ltd.

FORT ENERGY CORPORATION		
CORBETT GAS PLANT		
480VAC MOTOR CONTROL SCHEMATIC		
SCALE	DRAWING NUMBER	REV
N/A	D-23212-E-05-505	3



LEGEND
 ☐ ITSS TERMINAL BLOCK

NOTES:
 - SR = CH D15 RELAY
 - MOV = SZ 2.4 - EMS38, SZ 5.6 - EMS-29
 - ALL WIRING TO ITSS TB'S 1-4, +, - ARE BLUE
 - FAN = EMM18 HOOD FAN

NO.	REVISION	PROJ. No.	BY	DATE	CHK.	DATE
3	POST CONSTRUCTION REVISIONS	43733	SM	05.02.02	ATB	05.02.02
2	ISSUED FOR CONSTRUCTION	43733	FC	04.10.28	ATB	04.11.01
1	ISSUED FOR FIELD BID	43733	FC	04.10.15	ATB	04.10.15
0	ISSUED FOR APPROVAL	43733	SM	04.09.28	ATB	04.09.28

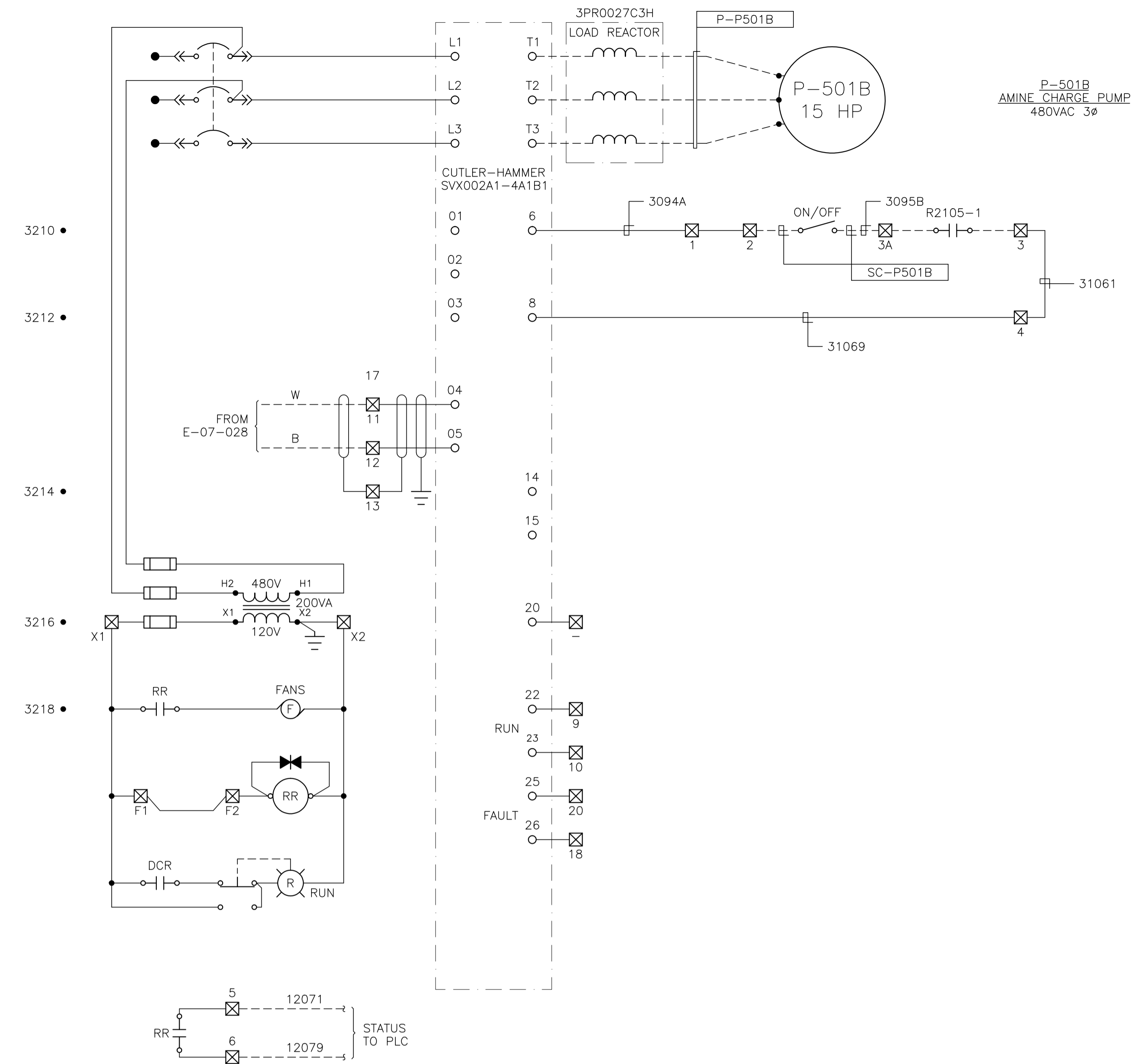
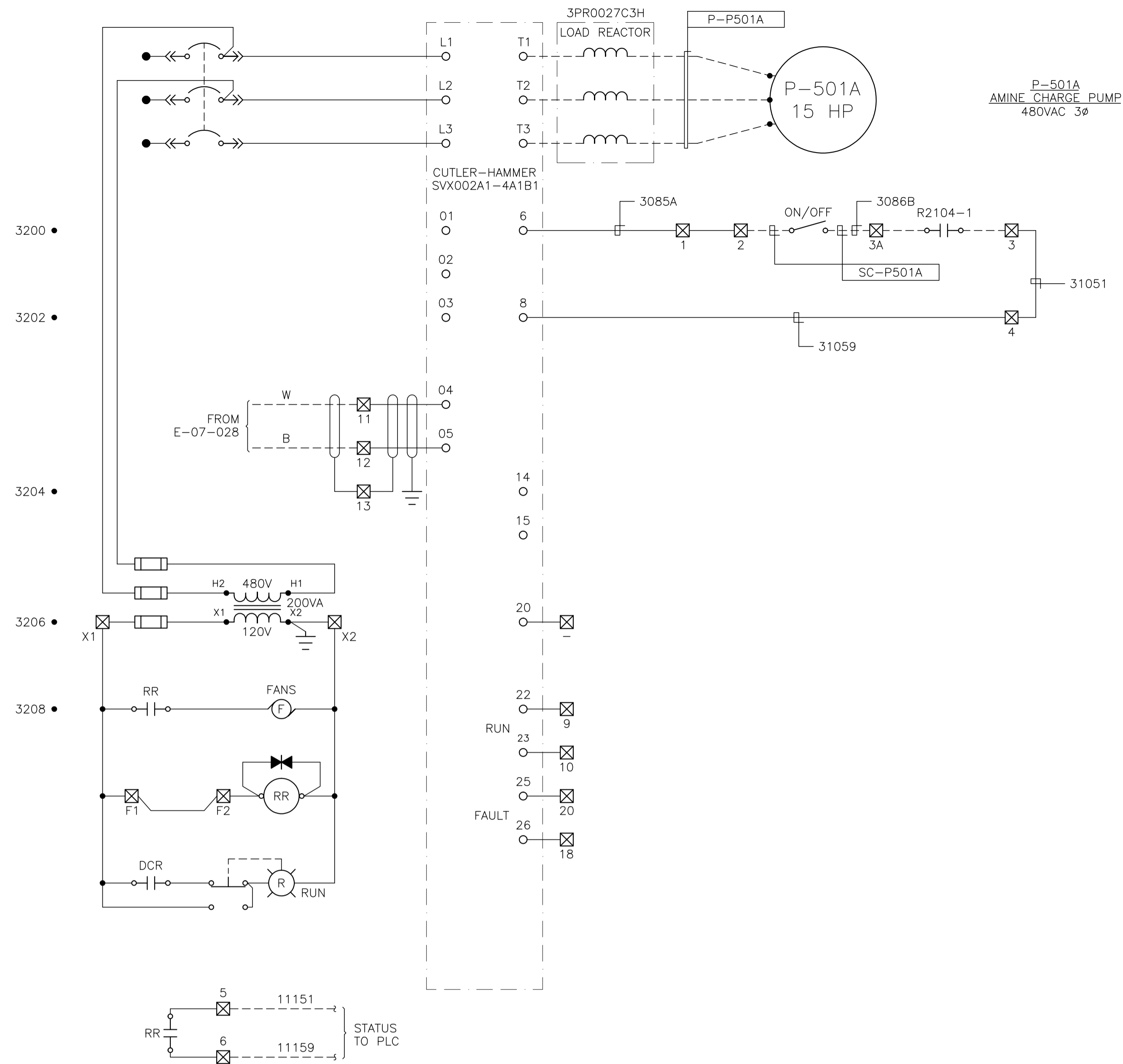
PERMIT STAMP:	STAMP APPLIED TO REV. 2 ONLY

GENERAL NOTES:
 1. "POST CONSTRUCTION DRAWINGS" ARE GENERATED FROM CONSTRUCTION CHANGE INFORMATION FORWARDED TO BROWER DAMBERGER ROLSETH ENGINEERING LTD. BY THE OWNER'S FIELD SUPERVISORS AND/OR BIDDING CONTRACTORS. ANY CHANGES NOT DOCUMENTED WILL NOT APPEAR ON THE DRAWINGS AND THEREFORE THE DRAWING MAY NOT BE AN ACCURATE REPRESENTATION OF THE CONSTRUCTED FACILITY.
 2. PRIOR TO THE COMMENCEMENT OF ANY CONSTRUCTION AND/OR EXCAVATION IT SHALL BE THE RESPONSIBILITY OF THE OWNER REPRESENTATIVE TO VERIFY THE LOCATION AND STATUS OF ANY PIPING, ELECTRICAL EQUIPMENT OR BUILDINGS.
 3. ANY REVISIONS MADE TO EXISTING EQUIPMENT, PIPING OR ELECTRICAL ON A FACILITY NOT DESIGNED BY B.D.R. ENG. LTD. IS ONLY SHOWN AS A REPRESENTATION OF WHAT EXISTS AND MUST BE VERIFIED BY THE OWNER.

DRN.	BY	DATE
CHK.	FC	04.08.10
APP'D.		
L.S.D.	15-10-62-06 WSM	



FORT ENERGY CORPORATION		
CORBETT GAS PLANT		
480VAC MOTOR CONTROL SCHEMATIC		
SCALE	DRAWING NUMBER	REV
N/A	D-23212-E-05-506	3



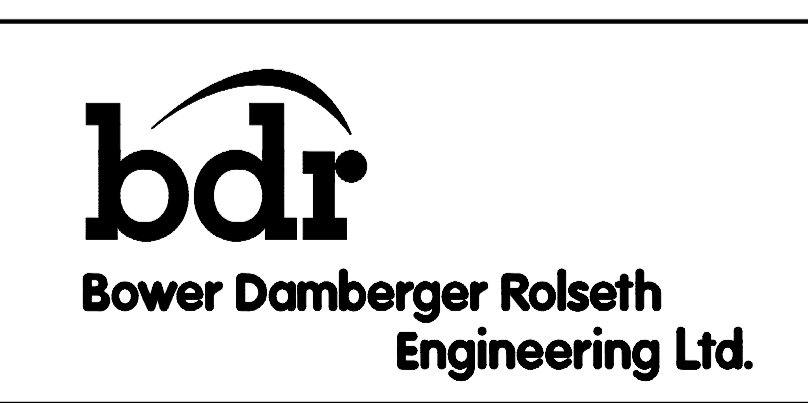
NO.	REVISION	PROJECT	DSN	DRN	CHK'D	APP'D	DATE
0	POST CONSTRUCTION REVISIONS	4.3884	BGO	FC	BGO		05.09.06

PERMIT STAMP:	

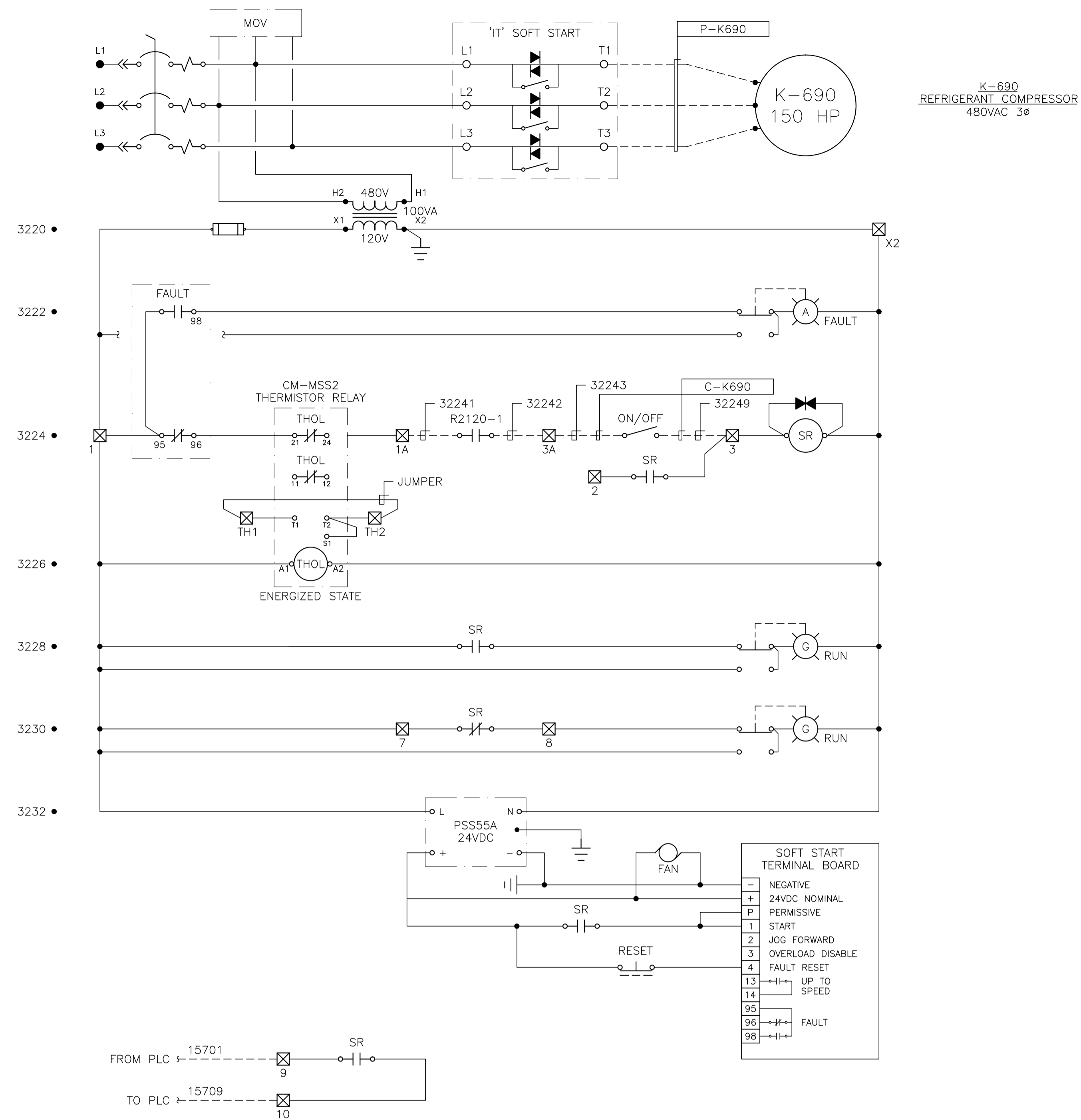
GENERAL NOTES:

- "POST CONSTRUCTION DRAWINGS" ARE GENERATED FROM CONSTRUCTION CHANGE INFORMATION FORWARDED TO BROWER DAMBERGER ROLSETH ENGINEERING LTD. BY THE OWNER'S FIELD SUPERVISORS AND/OR MISC CONTRACTORS. ANY CHANGES NOT DOCUMENTED WILL NOT APPEAR ON THE DRAWINGS AND THEREFORE THE DRAWING MAY NOT BE AN ACCURATE REPRESENTATION OF THE CONSTRUCTED FACILITY.
- PRIOR TO THE COMMENCEMENT OF ANY CONSTRUCTION AND/OR EXCAVATION IT SHALL BE THE RESPONSIBILITY OF THE OWNER'S REPRESENTATIVE TO VERIFY THE LOCATION AND STATUS OF ANY PIPING, ELECTRICAL EQUIPMENT OR BUILDINGS.
- ANY REVISIONS MADE TO EXISTING EQUIPMENT, PIPING OR ELECTRICAL ON A FACILITY NOT DESIGNED BY B.D.R. ENG. LTD. IS ONLY SHOWN AS A REPRESENTATION OF WHAT EXISTS AND MUST BE VERIFIED BY THE OWNER.

DESIGN	BY	DATE
BGO	BGO	05.08.17
FC	FC	05.08.17
CHK'D		
APP'D.		
L.S.D.	15-10-62-06	WSM



FORT ENERGY CORPORATION		
CORBETT GAS PLANT 480VAC MCC MOTOR CONTROL SCHEMATICS		
SCALE	DRAWING NUMBER	REV
N/A	D-23212-E-05-507	0



GENERAL NOTES:

- "POST CONSTRUCTION DRAWINGS" ARE GENERATED FROM CONSTRUCTION CHANGE INFORMATION FORWARDED TO BOWER DAMBERGER ROLSETH ENGINEERING LTD. BY THE OWNER'S FIELD SUPERVISORS AND/OR FIELD CONTRACTORS. ANY CHANGES NOT DOCUMENTED WILL NOT APPEAR ON THE DRAWINGS AND THEREFORE THE DRAWING MAY NOT BE AN ACCURATE REPRESENTATION OF THE CONSTRUCTED FACILITY.
- PRIOR TO THE COMMENCEMENT OF ANY CONSTRUCTION AND/OR EXCAVATION IT SHALL BE THE RESPONSIBILITY OF THE OWNER'S REPRESENTATIVE TO VERIFY THE LOCATION AND STATUS OF ANY PIPING, ELECTRICAL, EQUIPMENT OR BUILDINGS.
- ANY REVISIONS MADE TO EXISTING EQUIPMENT, PIPING OR ELECTRICAL ON A FACILITY NOT DESIGNED BY B.D.R. ENG. LTD. IS ONLY SHOWN AS A REPRESENTATION OF WHAT EXISTS AND MUST BE VERIFIED BY THE OWNER.

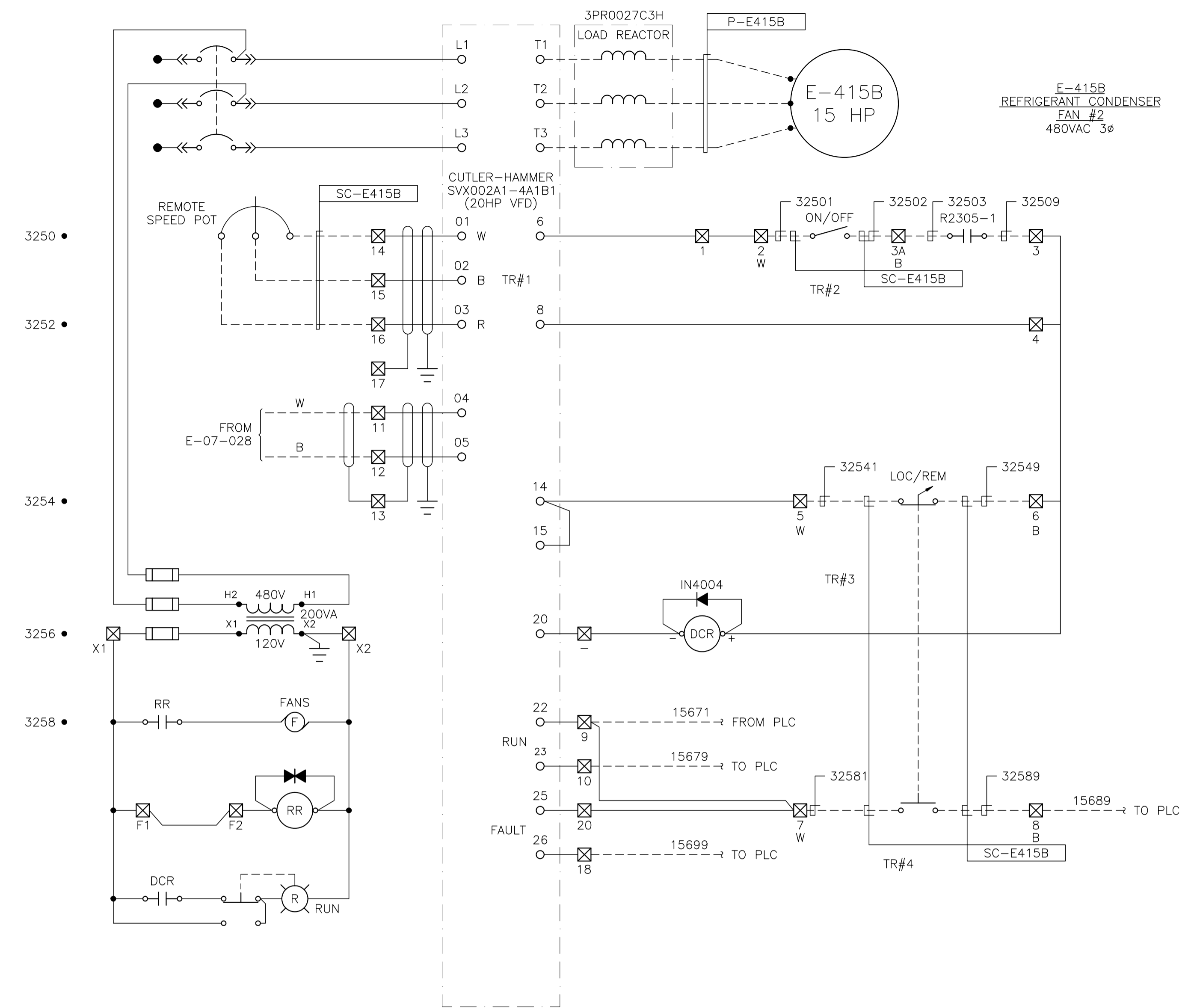
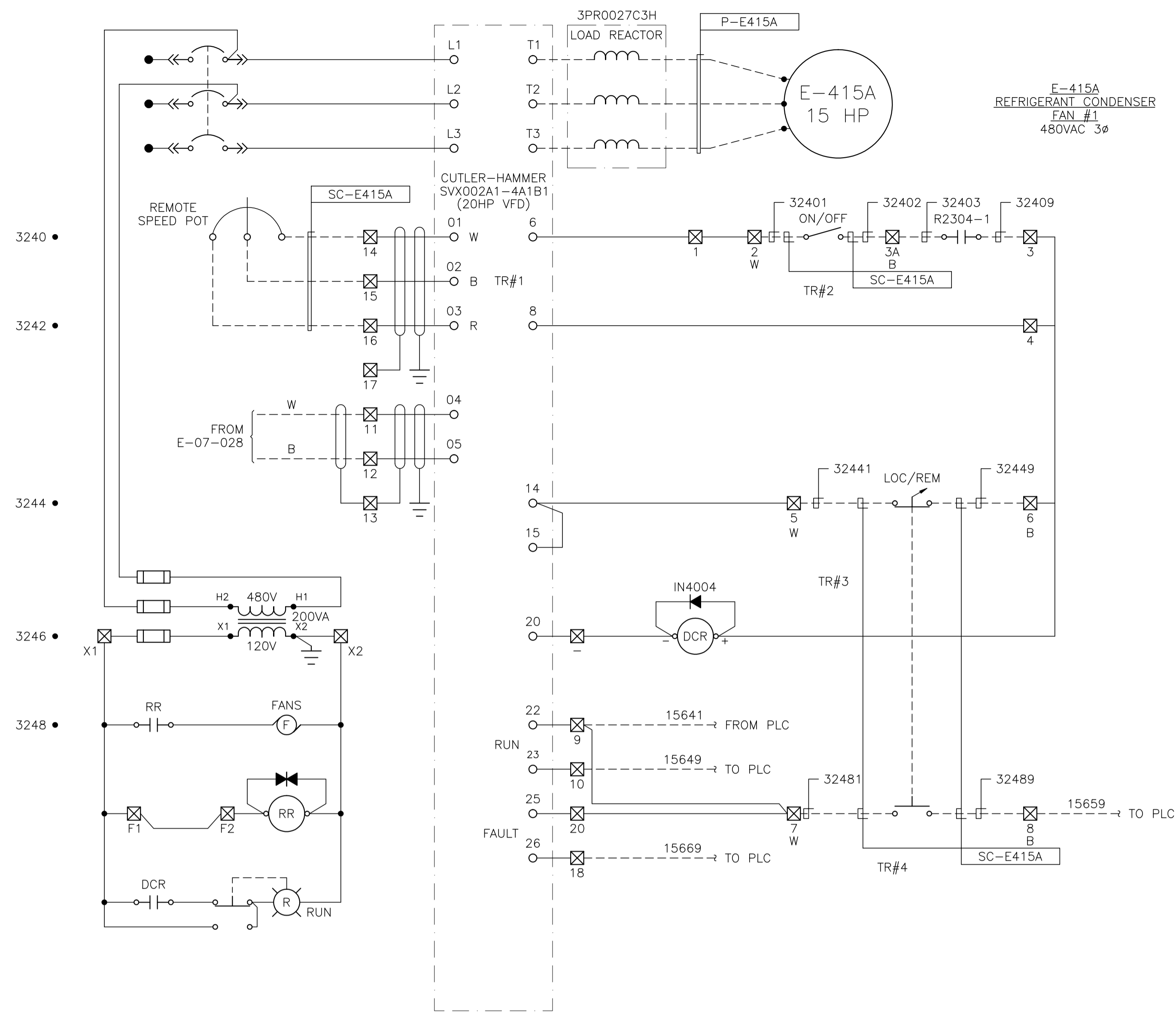
NO.	REVISION	PROJECT	DSN	DRN	CHK'D	APP'D	DATE
3	POST CONSTRUCTION REVISIONS	43884	BGO	SRM			06.02.14
2	2005 EXPANSION ISSUED FOR CONSTRUCTION	43884	BGO	FC	BGO	RLB	05.10.19
1	2005 EXPANSION ISSUED FOR BID	43884	BGO	FC	BGO		05.09.26
0	2005 EXPANSION ISSUED FOR APPROVAL	43884	BGO	FC	BGO		05.09.06

PERMIT STAMP:	STAMP APPLIED TO REV. 2 ONLY
---------------	------------------------------

	BY	DATE
DESIGN	BGO	05.08.17
DRAWN	FC	05.08.17
CHK'D	BGO	05.10.19
APP'D	RLB	05.10.19
L.S.D.	15-10-62-06	W5M



FORT ENERGY CORPORATION		
CORBETT GAS PLANT 480VAC MCC MOTOR CONTROL SCHEMATICS		
SCALE	DRAWING NUMBER	REV
N/A	D-23212-E-05-508	3



NO.	REVISION	PROJECT	DSN	DRN	CHK'D	APP'D	DATE
3	POST CONSTRUCTION REVISIONS	43884	BGO	SRM			06.02.14
2	2005 EXPANSION ISSUED FOR CONSTRUCTION	43884	BGO	FC	BGO	RLB	05.10.19
1	2005 EXPANSION ISSUED FOR BID	43884	BGO	FC	BGO		05.09.26
0	2005 EXPANSION ISSUED FOR APPROVAL	43884	BGO	FC	BGO		05.09.06

PERMIT STAMP:	STAMP APPLIED TO REV. 2 ONLY
---------------	------------------------------

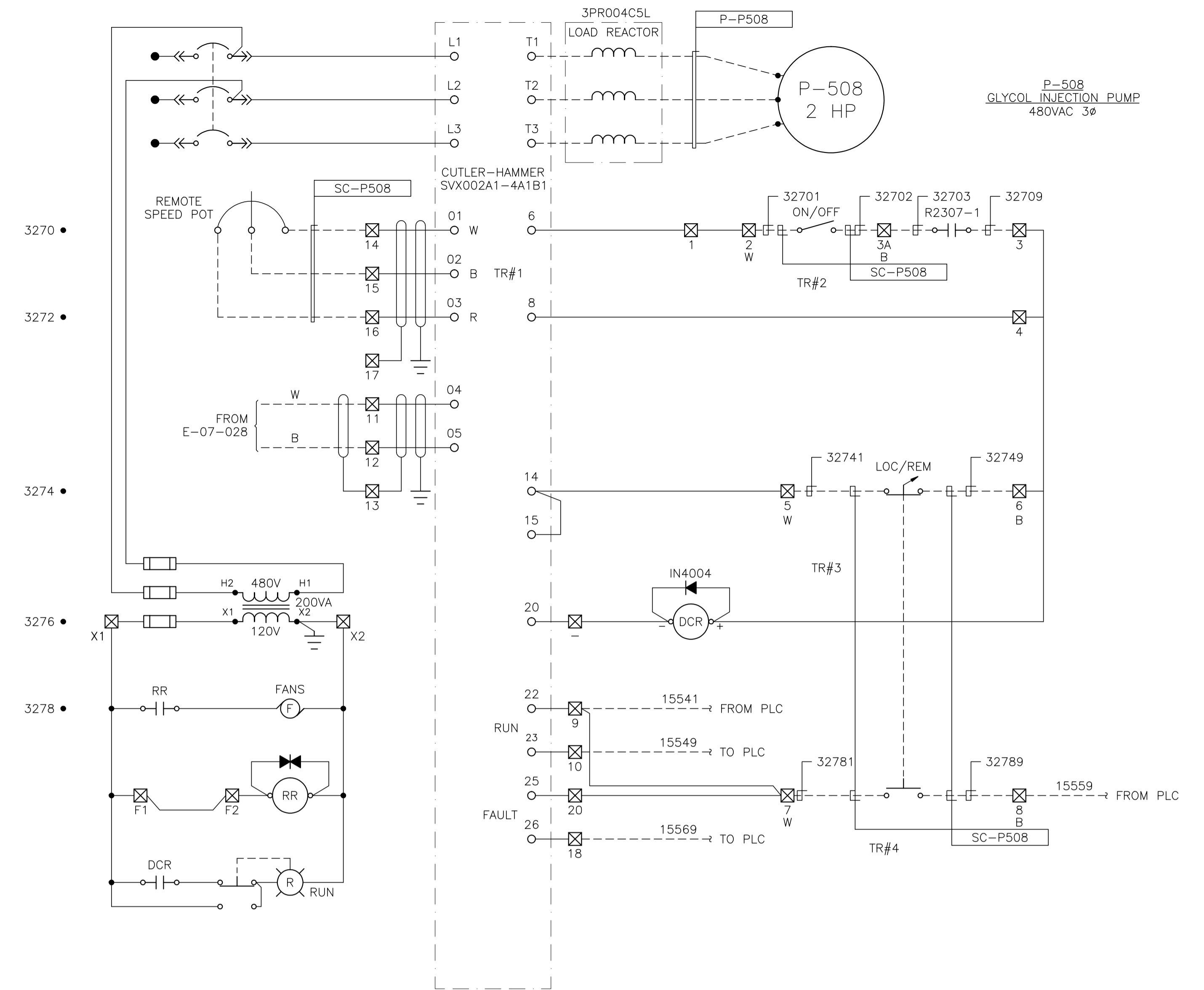
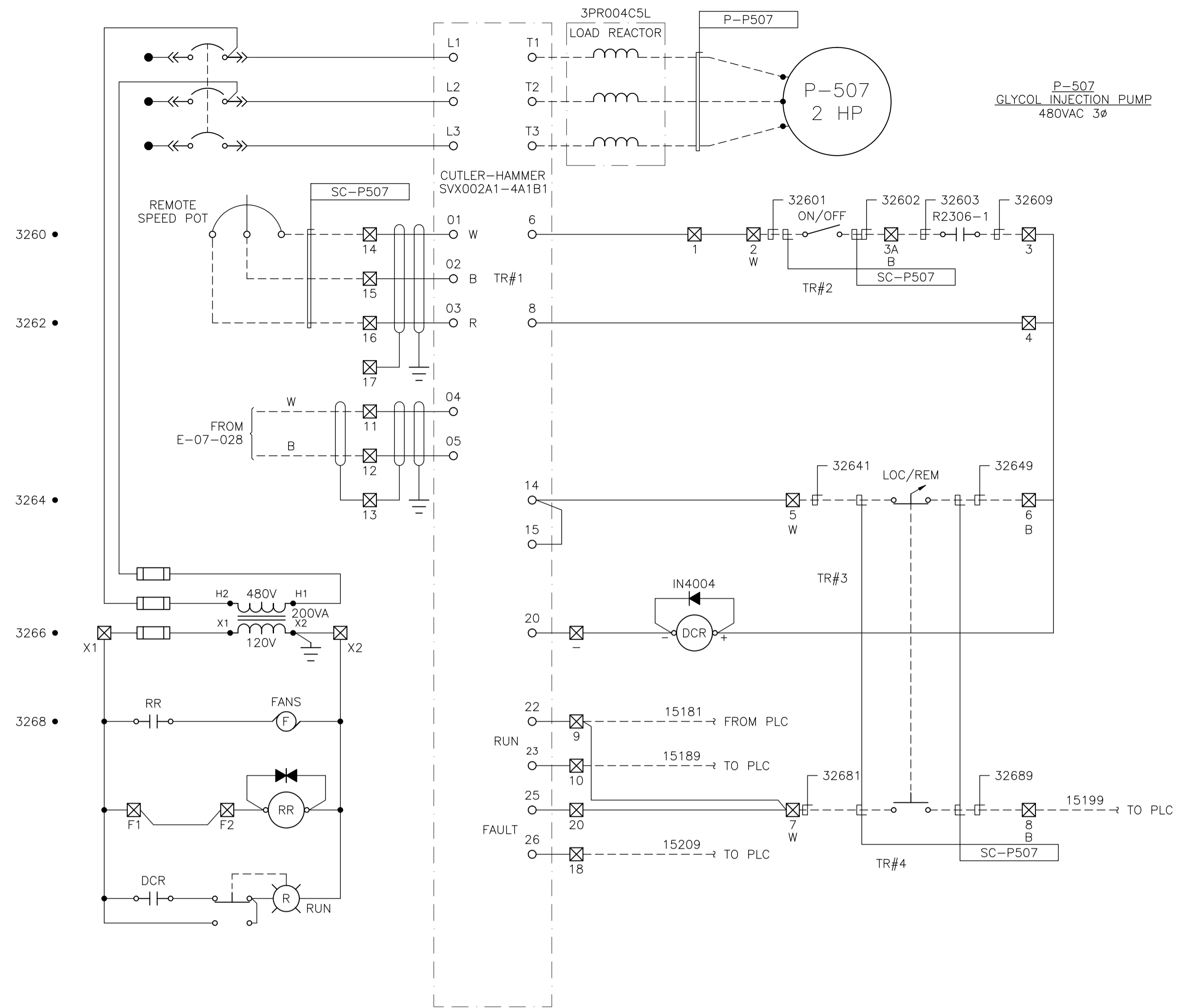
GENERAL NOTES:

- "POST CONSTRUCTION DRAWINGS" ARE GENERATED FROM CONSTRUCTION CHANGE INFORMATION FORWARDED TO BROWER DAMBERGER ROLSETH ENGINEERING LTD. BY THE OWNER'S FIELD SUPERVISORS AND/OR BIDDING CONTRACTORS. ANY CHANGES NOT DOCUMENTED WILL NOT APPEAR ON THE DRAWINGS AND THEREFORE THE DRAWING MAY NOT BE AN ACCURATE REPRESENTATION OF THE CONSTRUCTED FACILITY.
- PRIOR TO THE COMMENCEMENT OF ANY CONSTRUCTION AND/OR EXCAVATION IT SHALL BE THE RESPONSIBILITY OF THE OWNER'S REPRESENTATIVE TO VERIFY THE LOCATION AND STATUS OF ANY PIPING, ELECTRICAL EQUIPMENT OR BUILDINGS.
- ANY REVISIONS MADE TO EXISTING EQUIPMENT, PIPING OR ELECTRICAL ON A FACILITY NOT DESIGNED BY B.D.R. ENG. LTD. IS ONLY SHOWN AS A REPRESENTATION OF WHAT EXISTS AND MUST BE VERIFIED BY THE OWNER.

	BY	DATE
DESIGN	BGO	05.08.17
DRAWN	FC	05.08.17
CHK'D	BGO	05.10.19
APP'D.	RLB	05.10.19
L.S.D.	15-10-62-06	WSM



FORT ENERGY CORPORATION		
CORBETT GAS PLANT 480VAC MCC MOTOR CONTROL SCHEMATICS		
SCALE	DRAWING NUMBER	REV
N/A	D-23212-E-05-509	3



NO.	REVISION	PROJECT	DSN	DRN	CHK'D	APP'D	DATE
3	POST CONSTRUCTION REVISIONS	43884	BGO	SRM			06.02.14
2	2005 EXPANSION ISSUED FOR CONSTRUCTION	43884	BGO	FC	BGO	RLB	05.10.19
1	2005 EXPANSION ISSUED FOR BID	43884	BGO	FC	BGO		05.09.26
0	2005 EXPANSION ISSUED FOR APPROVAL	43884	BGO	FC	BGO		05.09.06

PERMIT STAMP:

STAMP APPLIED TO REV. 2 ONLY

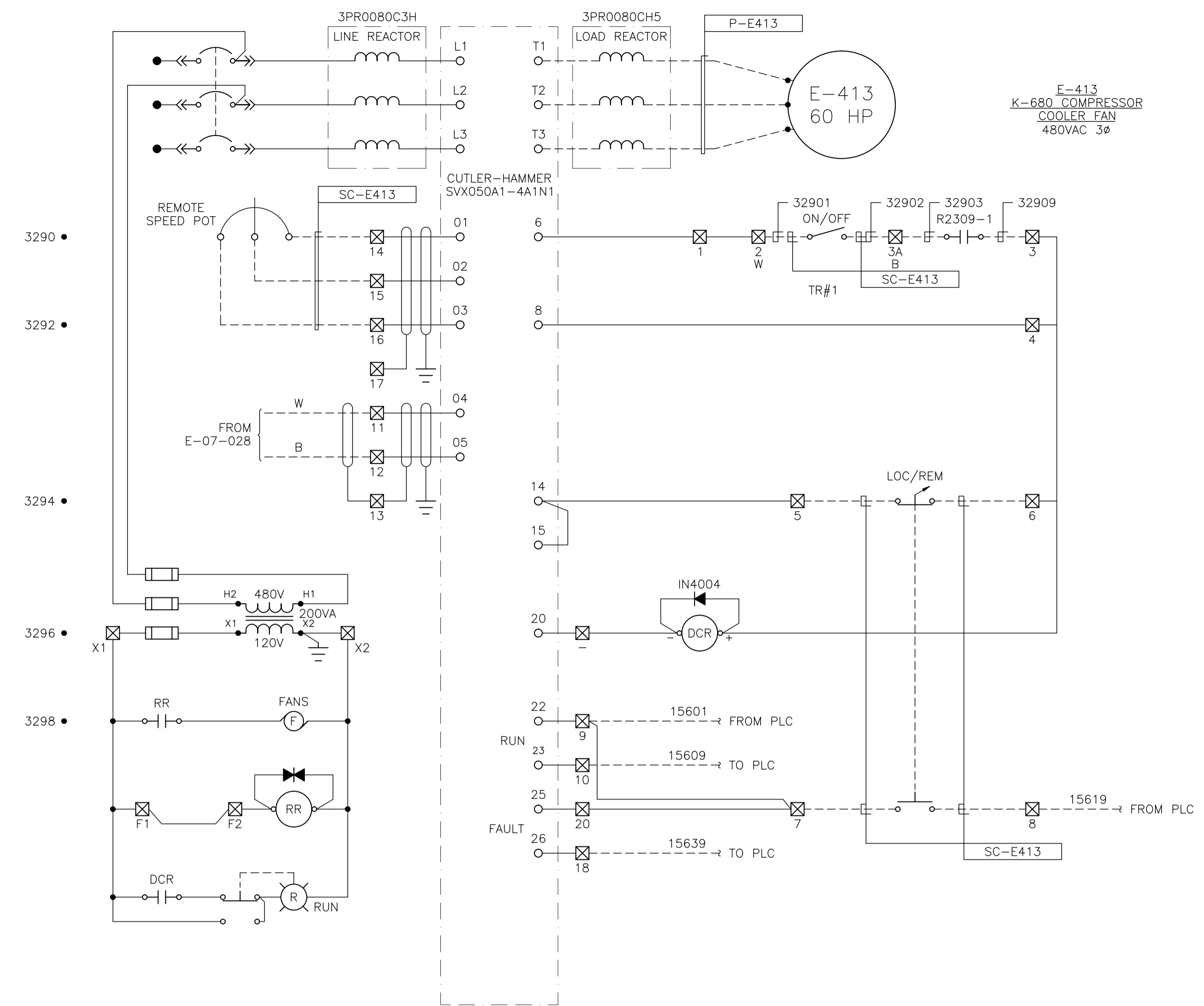
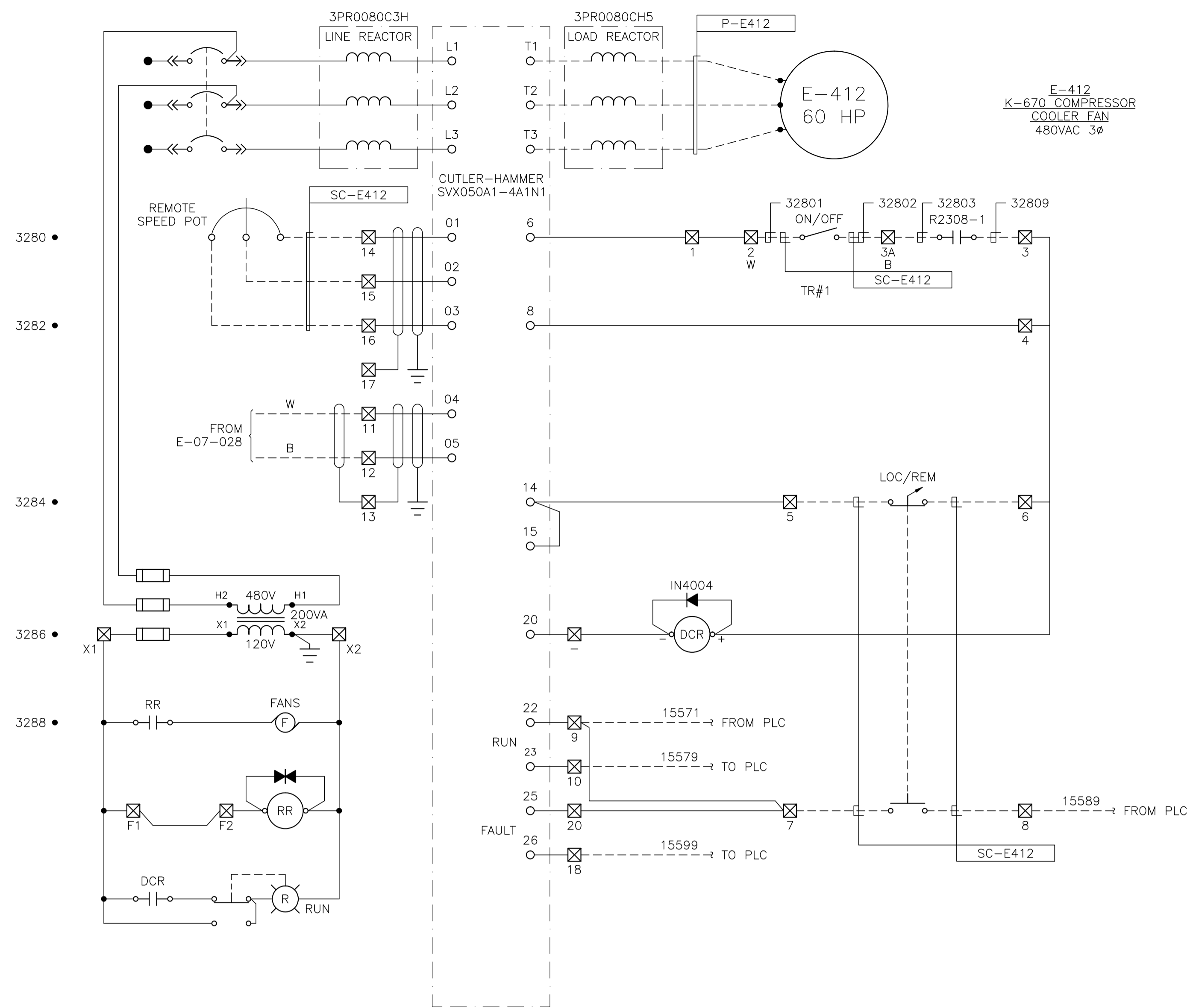
GENERAL NOTES:

- "POST CONSTRUCTION DRAWINGS" ARE GENERATED FROM CONSTRUCTION CHANGE INFORMATION FORWARDED TO BROWER DAMBERGER ROLSETH ENGINEERING LTD. BY THE OWNER'S FIELD SUPERVISORS AND/OR BIDDING CONTRACTORS. ANY CHANGES NOT DOCUMENTED WILL NOT APPEAR ON THE DRAWINGS AND THEREFORE THE DRAWING MAY NOT BE AN ACCURATE REPRESENTATION OF THE CONSTRUCTED FACILITY.
- PRIOR TO THE COMMENCEMENT OF ANY CONSTRUCTION AND/OR EXCAVATION IT SHALL BE THE RESPONSIBILITY OF THE OWNER'S REPRESENTATIVE TO VERIFY THE LOCATION AND STATUS OF ANY PIPING, ELECTRICAL, EQUIPMENT OR BUILDINGS.
- ANY REVISIONS MADE TO EXISTING EQUIPMENT, PIPING OR ELECTRICAL ON A FACILITY NOT DESIGNED BY B.D.R. ENG. LTD. IS ONLY SHOWN AS A REPRESENTATION OF WHAT EXISTS AND MUST BE VERIFIED BY THE OWNER.

DESIGN	BY	DATE
DRAWN	BGO	05.08.17
CHK'D	BGO	05.10.19
APP'D	RLB	05.10.19
L.S.D.	15-10-62-06	WSM



FORT ENERGY CORPORATION		
CORBETT GAS PLANT 480VAC MCC MOTOR CONTROL SCHEMATICS		
SCALE	DRAWING NUMBER	REV
N/A	D-23212-E-05-510	3



NO.	REVISION	PROJECT	DSN	DRN	CHK'D	APP'D	DATE
3	POST CONSTRUCTION REVISIONS	43884	BGO	SRM			06.02.14
2	2005 EXPANSION ISSUED FOR CONSTRUCTION	43884	BGO	FC	BGO	RLB	05.10.19
1	2005 EXPANSION ISSUED FOR BID	43884	BGO	FC	BGO		05.09.26
0	2005 EXPANSION ISSUED FOR APPROVAL	43884	BGO	FC	BGO		05.09.06

PERMIT STAMP:

STAMP APPLIED TO REV. 2 ONLY

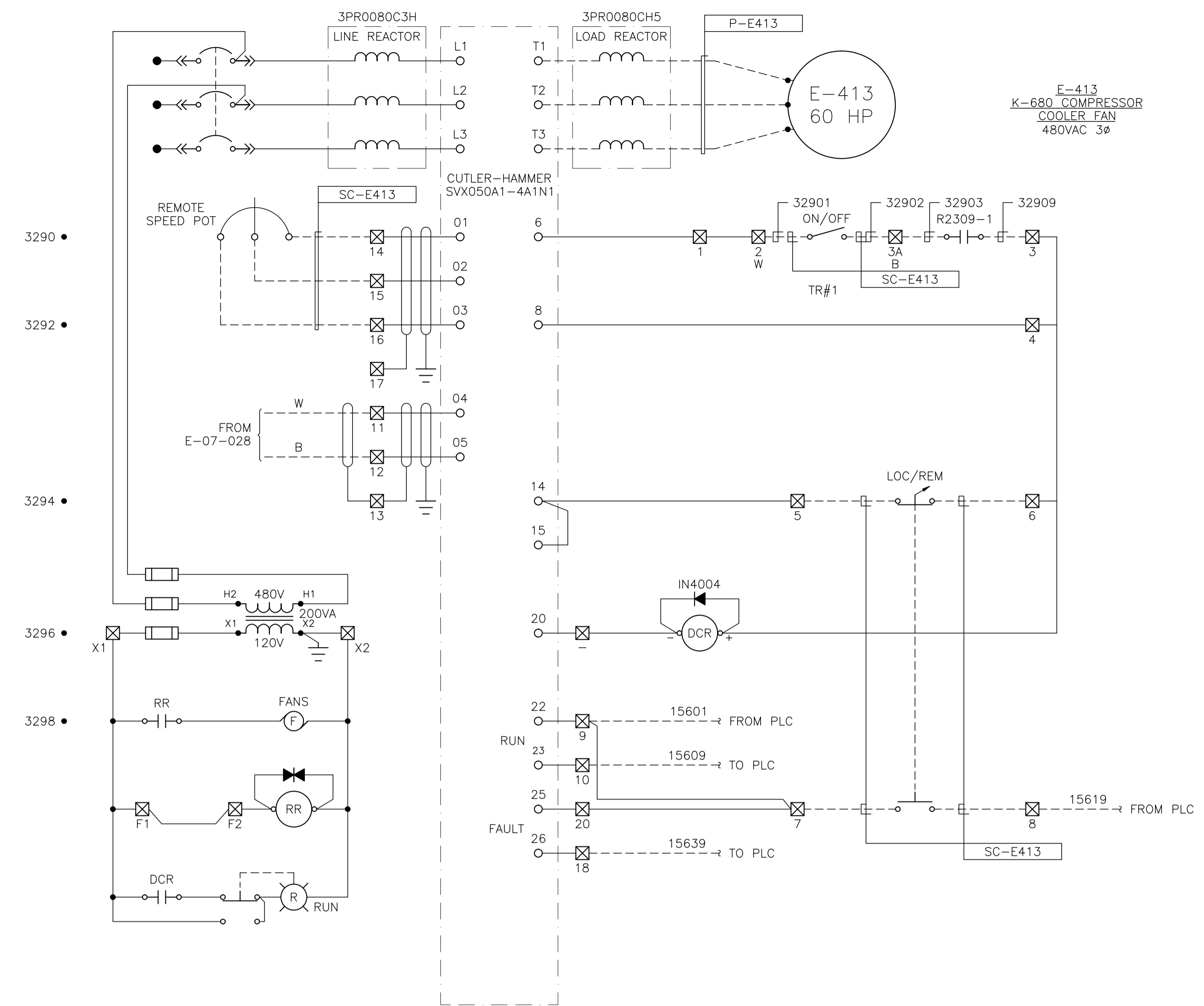
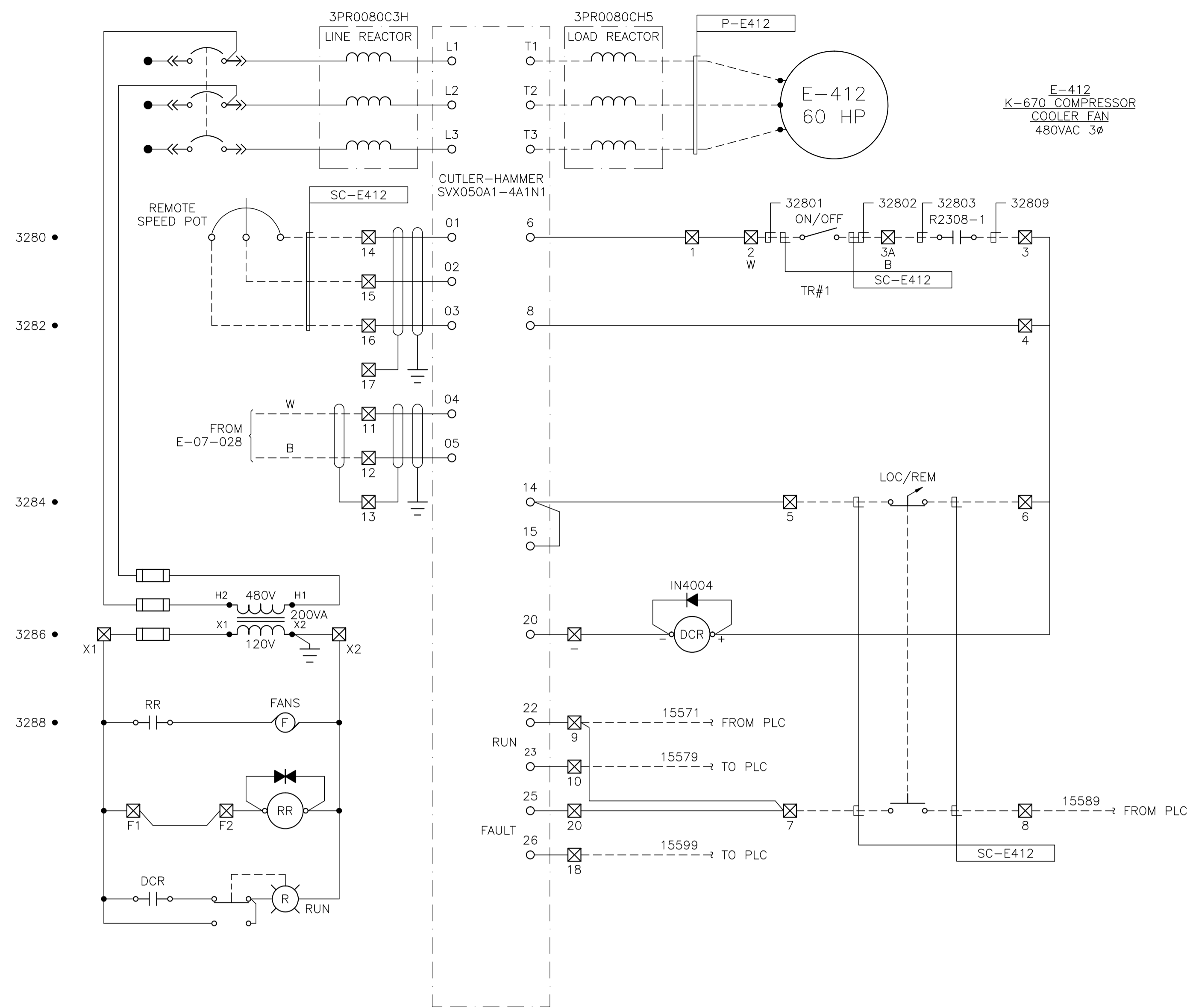
GENERAL NOTES:

- "POST CONSTRUCTION DRAWINGS" ARE GENERATED FROM CONSTRUCTION CHANGE INFORMATION FORWARDED TO BROWER DAMBERGER ROLSETH ENGINEERING LTD. BY THE OWNER'S FIELD SUPERVISORS AND/OR BIDDING CONTRACTORS. ANY CHANGES NOT DOCUMENTED WILL NOT APPEAR ON THE DRAWINGS AND THEREFORE THE DRAWING MAY NOT BE AN ACCURATE REPRESENTATION OF THE CONSTRUCTED FACILITY.
- PRIOR TO THE COMMENCEMENT OF ANY CONSTRUCTION AND/OR EXCAVATION IT SHALL BE THE RESPONSIBILITY OF THE OWNER'S REPRESENTATIVE TO VERIFY THE LOCATION AND STATUS OF ANY PIPING, ELECTRICAL EQUIPMENT OR BUILDINGS.
- ANY REVISIONS MADE TO EXISTING EQUIPMENT, PIPING OR ELECTRICAL ON A FACILITY NOT DESIGNED BY B.D.R. ENG. LTD. IS ONLY SHOWN AS A REPRESENTATION OF WHAT EXISTS AND MUST BE VERIFIED BY THE OWNER.

	BY	DATE
DESIGN	BGO	05.08.17
DRAWN	FC	05.08.17
CHK'D	RLB	05.10.19
APP'D	RLB	05.10.19
L.S.D.	15-10-62-06	WSM



FORT ENERGY CORPORATION		
CORBETT GAS PLANT 480VAC MCC MOTOR CONTROL SCHEMATICS		
SCALE	DRAWING NUMBER	REV
N/A	D-23212-E-05-511	3



NO.	REVISION	PROJECT	DSN	DRN	CHK'D	APP'D	DATE
3	POST CONSTRUCTION REVISIONS	43884	BGO	SRM			06.02.14
2	2005 EXPANSION ISSUED FOR CONSTRUCTION	43884	BGO	FC	BGO	RLB	05.10.19
1	2005 EXPANSION ISSUED FOR BID	43884	BGO	FC	BGO		05.09.26
0	2005 EXPANSION ISSUED FOR APPROVAL	43884	BGO	FC	BGO		05.09.06

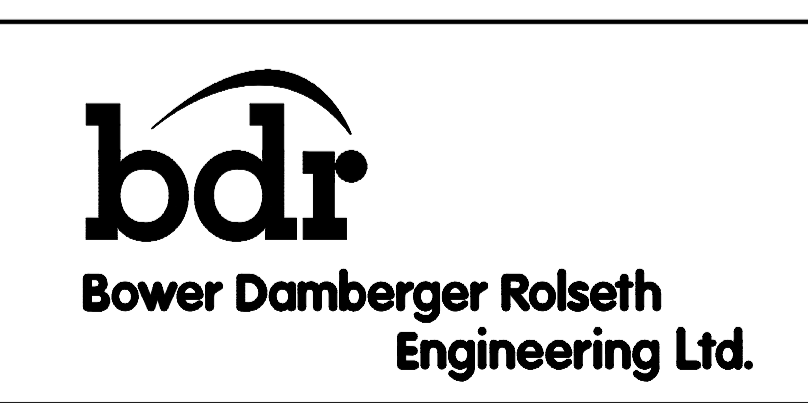
PERMIT STAMP:

STAMP APPLIED TO REV. 2 ONLY

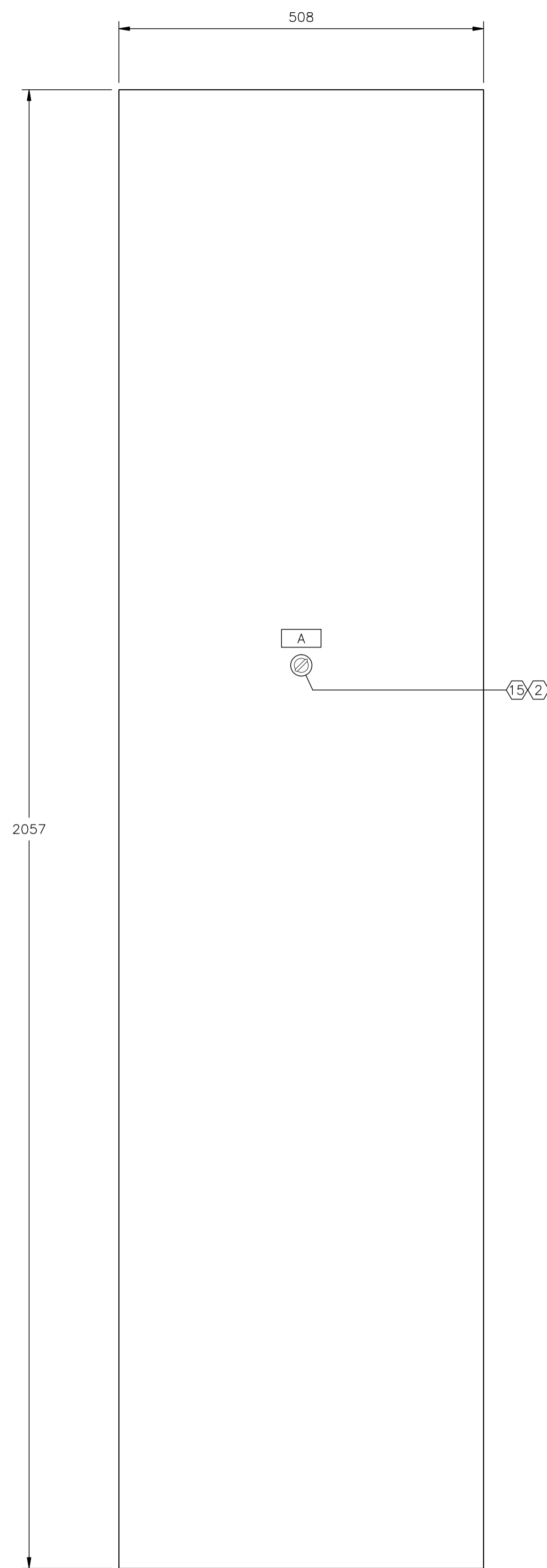
GENERAL NOTES:

- "POST CONSTRUCTION DRAWINGS" ARE GENERATED FROM CONSTRUCTION CHANGE INFORMATION FORWARDED TO BROWER DAMBERGER ROLSETH ENGINEERING LTD. BY THE OWNER'S FIELD SUPERVISORS AND/OR BIDDING CONTRACTORS. ANY CHANGES NOT DOCUMENTED WILL NOT APPEAR ON THE DRAWINGS AND THEREFORE THE DRAWING MAY NOT BE AN ACCURATE REPRESENTATION OF THE CONSTRUCTED FACILITY.
- PRIOR TO THE COMMENCEMENT OF ANY CONSTRUCTION AND/OR EXCAVATION IT SHALL BE THE RESPONSIBILITY OF THE OWNER'S REPRESENTATIVE TO VERIFY THE LOCATION AND STATUS OF ANY PIPING, ELECTRICAL EQUIPMENT OR BUILDINGS.
- ANY REVISIONS MADE TO EXISTING EQUIPMENT, PIPING OR ELECTRICAL ON A FACILITY NOT DESIGNED BY B.D.R. ENG. LTD. IS ONLY SHOWN AS A REPRESENTATION OF WHAT EXISTS AND MUST BE VERIFIED BY THE OWNER.

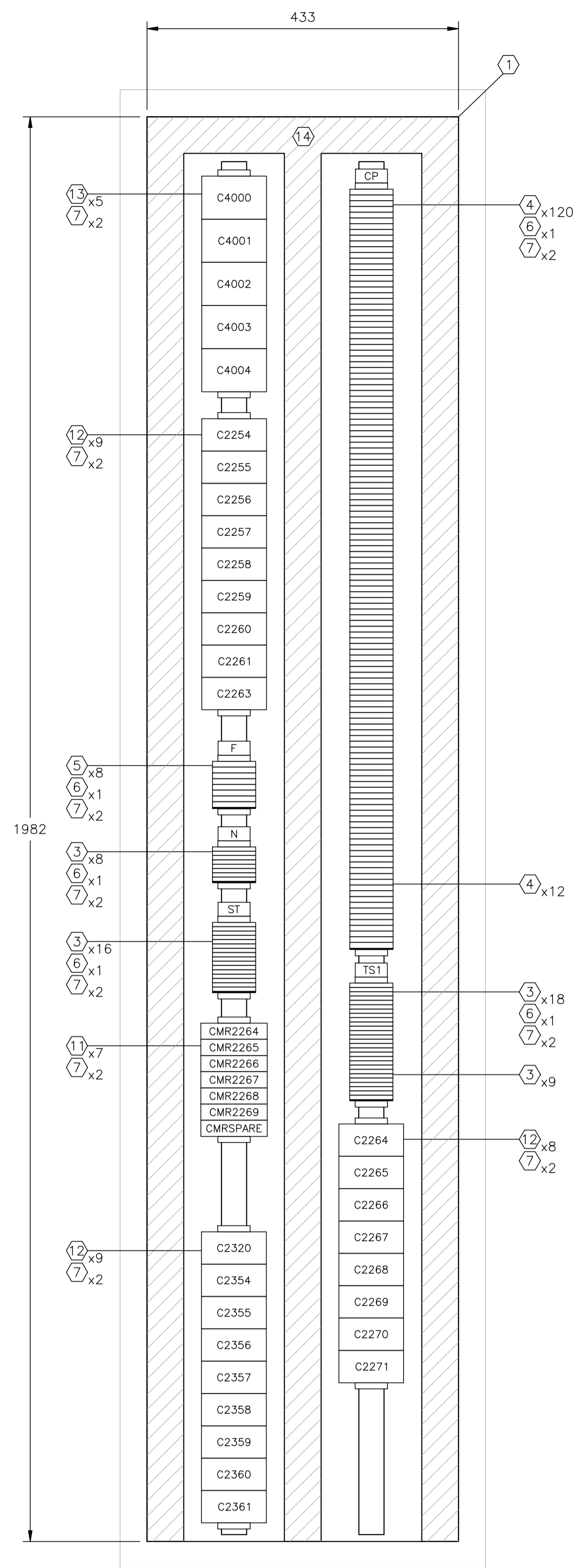
	BY	DATE
DESIGN	BGO	05.08.17
DRAWN	FC	05.08.17
CHK'D	RLB	05.10.19
APP'D	RLB	05.10.19
L.S.D.	15-10-62-06	WSM



FORT ENERGY CORPORATION		
CORBETT GAS PLANT 480VAC MCC MOTOR CONTROL SCHEMATICS		
SCALE	DRAWING NUMBER	REV
N/A	D-23212-E-05-511	3



FRONT PANEL LAYOUT



BACK MOUNTING PLATE

AC PANDUIT

CUSTOM ENCLOSURE BILL OF MATERIALS

ITEM	QTY	DESCRIPTION
1	1	CONTACTOR PANEL BACK PLATE.
2	1	ALLEN BRADLEY 800T SERIES 3 POSITION SELECTOR SWITCH 800T-J2A c/w (1) N.O. & (1) N.C. CONTACT.
3	51	WEIDMULLER WDU-4 TERMINALS c/w ACCESSORIES.
4	132	WEIDMULLER WDU-6 TERMINALS c/w ACCESSORIES.
5	8	WEIDMULLER WSI-6 TERMINALS c/w ACCESSORIES.
6	5	WEIDMULLER WAP-2.5/4/6/10 END PLATE.
7	18	WEIDMULLER EW-35 END BRACKET.
8	4	WEIDMULLER SCHT-5 GROUP TAG HOLDER.
9	AS REQ'D	DEKAFIX MARKING TAG.
10	AS REQ'D	WEIDMULLER TS35 MOUNTING RAIL.
11	7	WEIDMULLER WAS2 CMR ANALOG SIGNAL CONDITIONER, P/N 8513340000.
12	26	MOELLER #DILOM-G24VDC CONTACTORS, 3 POLE, 30AMP, c/w 24VDC COIL.
13	5	MOELLER #DILOOM-4 CONTACTORS, 3 POLE, 20AMP, c/w 120VAC COIL.
14	AS REQ'D	2"x4" PANDUIT, LOT, c/w COVER. AC PANDUIT - GREY; DC PANDUIT - WHITE.
15	2	ALLEN BRADLEY 800T SERIES MOMENTARY CONTACT PUSHBUTTON c/w (2) N.O. & (2) N.C. CONTACTS.

LAMICOID/ENGRAVING DETAIL

OUTSIDE LIGHTING CONTROL
HAND OFF AUTO

(A)

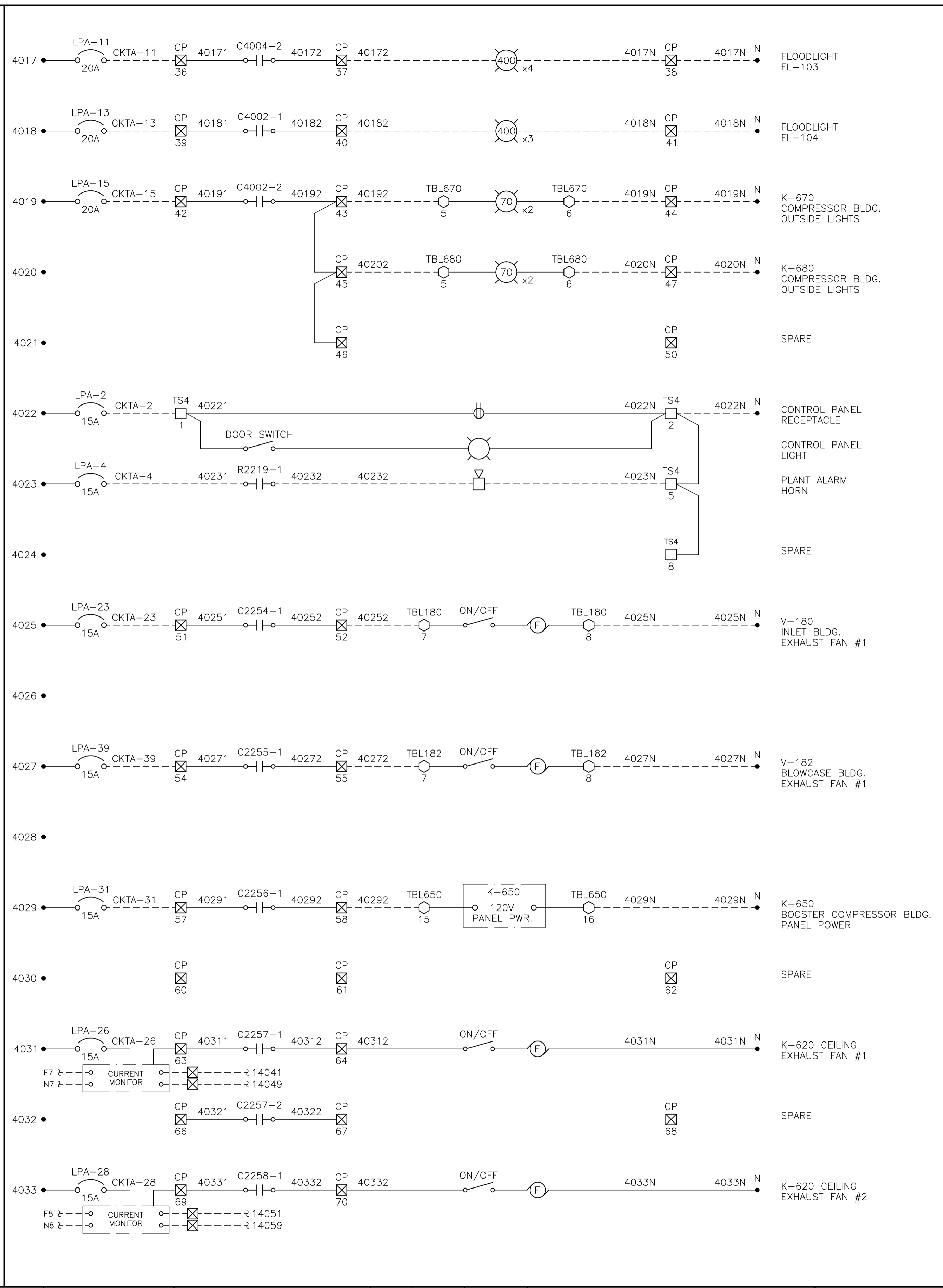
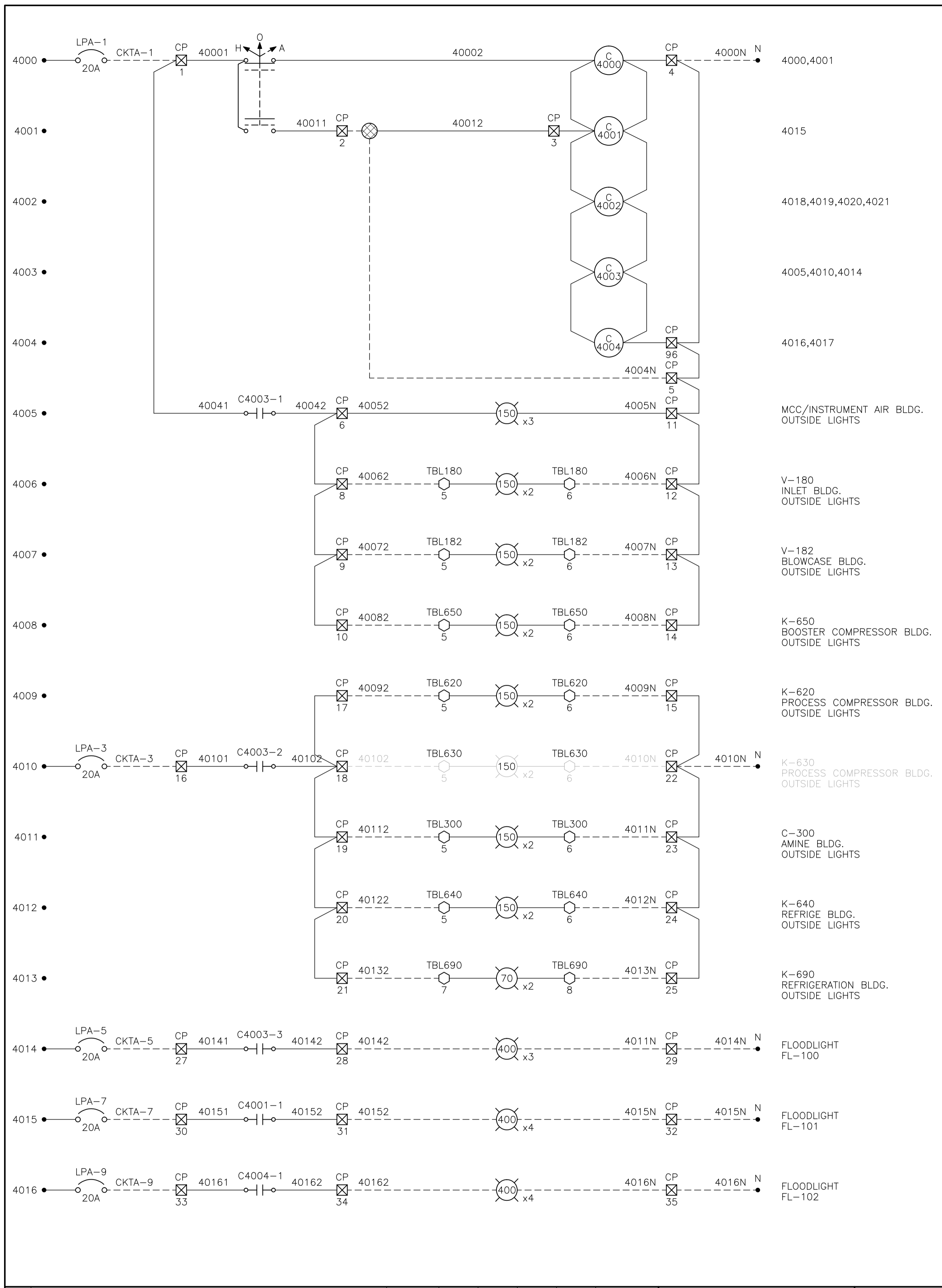
NO.	REVISION	PROJECT	DSN	DRN	CHK'D	APP'D	DATE
8	POST CONSTRUCTION REVISIONS	43884	BGO	SRM			06.02.14
7	2005 EXPANSION ISSUED FOR CONSTRUCTION	43884	BGO	FC	BGO	RLB	05.10.19
6	2005 EXPANSION ISSUED FOR BID	43884	BGO	FC	BGO		05.09.26
5	2005 EXPANSION ISSUED FOR APPROVAL	43884	BGO	FC	BGO		05.09.06
4	POST CONSTRUCTION REVISIONS	43733	ATB	SM	ATB		05.02.02
3	ISSUED FOR CONSTRUCTION	43733	ATB	FC	ATB	WDS	04.11.01
2	ISSUED FOR PANEL CONSTRUCTION	43733	ATB	FC	ATB		04.10.28
1	ISSUED FOR FIELD BID	43733	ATB	FC	ATB		04.10.15
0	ISSUED FOR APPROVAL	43733	ATB	SM	ATB		04.10.07

PERMIT STAMP:	STAMP APPLIED TO REV. 7 ONLY

GENERAL NOTES:
 1. "POST CONSTRUCTION DRAWINGS" ARE GENERATED FROM CONSTRUCTION CHANGE INFORMATION FORWARDED TO BOWER DAMBERGER ROLSETH ENGINEERING LTD. BY THE OWNER'S FIELD SUPERVISORS AND/OR BIDDING CONTRACTORS. ANY CHANGES NOT DOCUMENTED WILL NOT APPEAR ON THE DRAWINGS AND THEREFORE THE DRAWING MAY NOT BE AN ACCURATE REPRESENTATION OF THE CONSTRUCTED FACILITY.
 2. PRIOR TO THE COMMENCEMENT OF ANY CONSTRUCTION AND/OR EXCAVATION IT SHALL BE THE RESPONSIBILITY OF THE OWNER'S REPRESENTATIVE TO VERIFY THE LOCATION AND STATUS OF ANY PIPING, ELECTRICAL EQUIPMENT OR BUILDINGS.
 3. ANY REVISIONS MADE TO EXISTING EQUIPMENT, PIPING OR ELECTRICAL ON A FACILITY NOT DESIGNED BY B.D.R. ENG. LTD. IS ONLY SHOWN AS A REPRESENTATION OF WHAT EXISTS AND MUST BE VERIFIED BY THE OWNER.

DESIGN	BY	DATE
ATB	ATB	04.10.07
SM	SM	04.10.07
BGO	BGO	05.10.19
RLB	RLB	05.10.19
L.S.D.	15-10-62-06	W5M

FORT ENERGY CORPORATION		
CORBETT GAS PLANT CONTACTOR PANEL LAYOUT		
SCALE	DRAWING NUMBER	REV
1 : 5	D-23212-E-06-010	8



CONTROL SCHEMATICS -- LEGEND

TS MAIN CONTROL PANEL TERMINAL
 □ STANDARD TERMINAL
 □ DISCONNECT TYPE TERMINAL
 □ FUSED TERMINAL
 ○ MANUFACTURED EQUIPMENT TERMINAL
 ○ CP CONTACTOR PANEL TERMINAL
 MTR:TAG MOTOR CONTROL CENTER TERMINAL
 TB:TAG FIELD/SKID JUNCTION BOX TERMINAL

TAG SERVICE
 TBL 120VAC UTILITIES
 TBD 24VDC CONTROL
 TBA ANALOG

TAG# FIELD/SKID J.BOX
 180 V-180 INLET BLDG.
 182 V-182 BLOWCASE BLDG.
 650 K-650 BOOSTER COMPRESSOR BLDG.
 620 K-620 COMPRESSOR BLDG.
 630 K-630 COMPRESSOR BLDG.
 670 K-670 COMPRESSOR BLDG.
 680 K-680 COMPRESSOR BLDG.
 300 C-300 AMINE BLDG.
 640 K-640 REFRIGERATION BLDG.
 690 K-690 REFRIGERATION BLDG.
 711 T-711 SOUTH TANK FARM AREA
 701 T-701 NORTH TANK FARM AREA
 709 FLARE K.O. DRUM BLDG.

NOTES:
 1. REFER TO 07 SERIES DWG FOR CONTACTOR COIL NUMBERING AND QUANTITY.

NO.	REVISION	PROJECT	DSN	DRN	CHK'D	APP'D	DATE
7	POST CONSTRUCTION REVISIONS	43884	BGO	SRM			06.02.14
6	2005 EXPANSION ISSUED FOR CONSTRUCTION	43884	BGO	FC	BGO	RLB	05.10.19
5	2005 EXPANSION ISSUED FOR BID	43884	BGO	FC	BGO		05.09.26
4	2005 EXPANSION ISSUED FOR APPROVAL	43884	BGO	FC	BGO		05.09.06
3	POST CONSTRUCTION REVISIONS	43733	ATB	SM	ATB		05.02.02
2	ISSUED FOR CONSTRUCTION	43733	ATB	FC	ATB	WDS	04.11.01
1	ISSUED FOR FIELD BID	43733	ATB	FC	ATB		04.10.15
0	ISSUED FOR APPROVAL	43733	ATB	FC	ATB		04.10.04

PERMIT STAMP:

STAMP APPLIED TO REV. 6 ONLY

GENERAL NOTES:

1. "POST CONSTRUCTION DRAWINGS" ARE GENERATED FROM CONSTRUCTION CHANGE INFORMATION FORWARDED TO BOWER DAMBERGER ROLSETH ENGINEERING LTD. BY THE OWNER'S FIELD SUPERVISORS AND/OR BIDDING CONTRACTORS. ANY CHANGES NOT DOCUMENTED WILL NOT APPEAR ON THE DRAWINGS AND THEREFORE THE DRAWING MAY NOT BE AN ACCURATE REPRESENTATION OF THE CONSTRUCTED FACILITY.

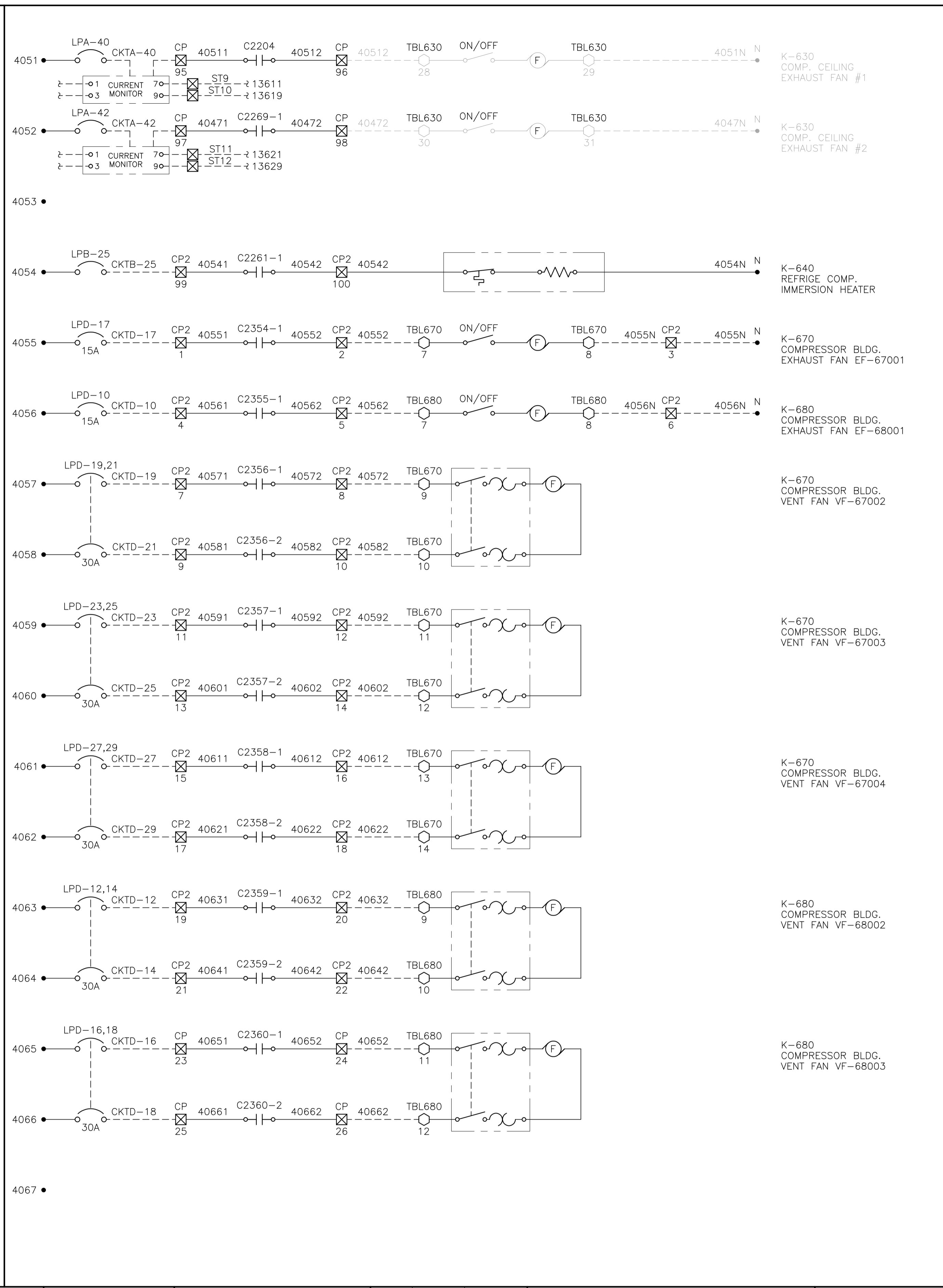
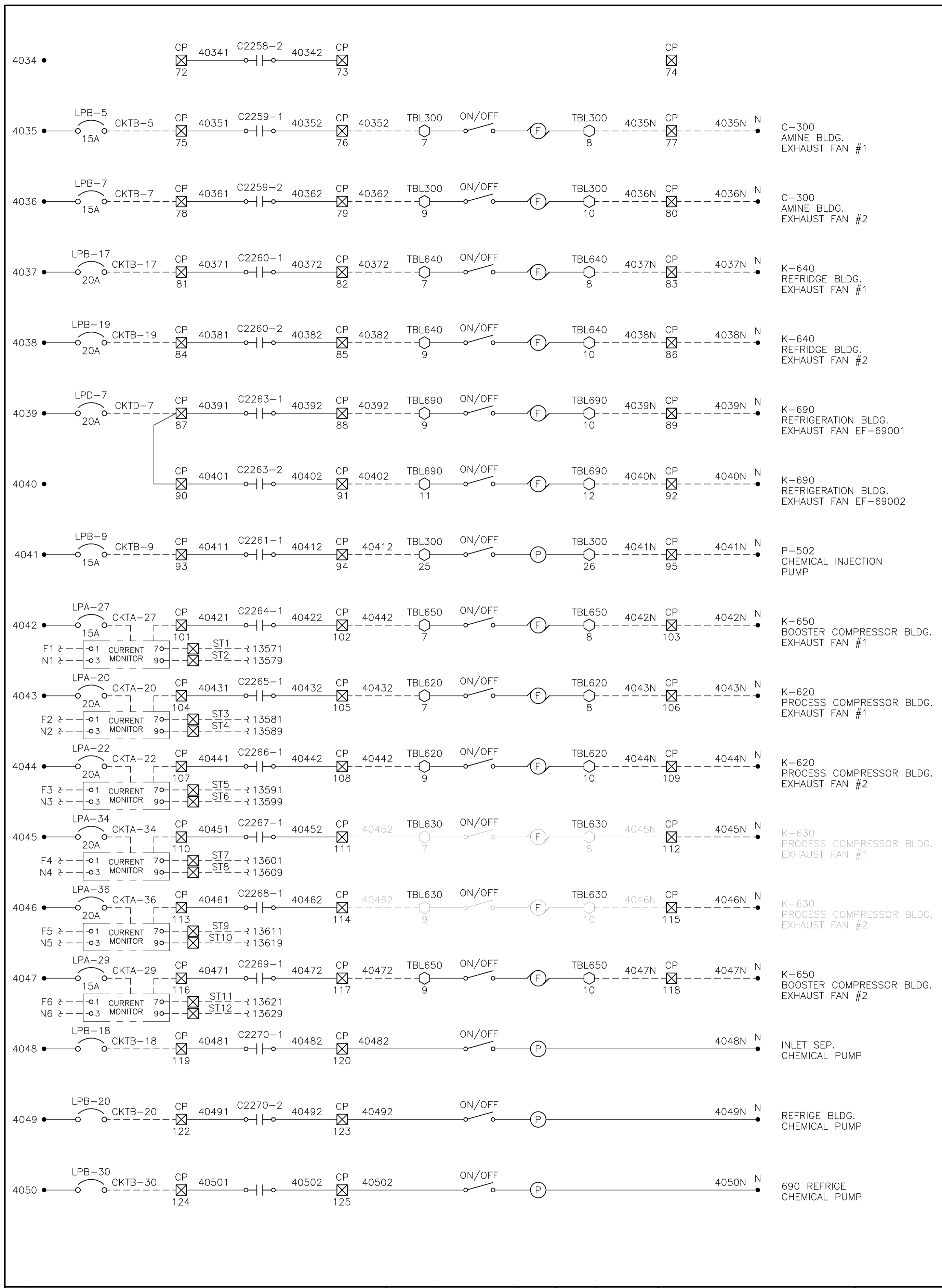
2. PRIOR TO THE COMMENCEMENT OF ANY CONSTRUCTION AND/OR EXCAVATION IT SHALL BE THE RESPONSIBILITY OF THE OWNER'S REPRESENTATIVE TO VERIFY THE LOCATION AND STATUS OF ANY PIPING, ELECTRICAL EQUIPMENT OR BUILDINGS.

3. ANY REVISIONS MADE TO EXISTING EQUIPMENT, PIPING OR ELECTRICAL ON A FACILITY NOT DESIGNED BY B.D.R. ENG. LTD. IS ONLY SHOWN AS A REPRESENTATION OF WHAT EXISTS AND MUST BE VERIFIED BY THE OWNER.

DESIGN	BY	DATE
DRAWN	ATB	04.09.29
CHK'D	FC	04.09.29
APP'D	BGO	05.10.19
L.S.D.	RLB	05.10.19
		15-10-62-06 W5M



FORT ENERGY CORPORATION		
CORBETT GAS PLANT		
120V _{ac}		
CONTROL SCHEMATICS		
SCALE	DRAWING NUMBER	REV
N/A	D-23212-E-06-011	7



CONTROL SCHEMATICS -- LEGEND

TS
 MAIN CONTROL PANEL TERMINAL
 STANDARD TERMINAL
 DISCONNECT TYPE TERMINAL
 FUSED TERMINAL
 MANUFACTURED EQUIPMENT TERMINAL
 CONTACTOR PANEL TERMINAL
 MOTOR CONTROL CENTER TERMINAL
 FIELD/SKID JUNCTION BOX TERMINAL

JAG SERVICE
TBL 120VAC UTILITIES
TBD 24VDC CONTROL
TBA ANALOG

JAG# FIELD/SKID J.BOX
180 V-180 INLET BLDG.
182 V-182 BLOWCASE BLDG.
650 K-650 BOOSTER COMPRESSOR BLDG.
620 K-620 COMPRESSOR BLDG.
630 K-630 COMPRESSOR BLDG.
670 K-670 COMPRESSOR BLDG.
680 K-680 COMPRESSOR BLDG.
300 C-300 AMINE BLDG.
640 K-640 REFRIGERATION BLDG.
690 K-690 REFRIGERATION BLDG.
711 T-711 SOUTH TANK FARM AREA
701 T-701 NORTH TANK FARM AREA
709 FLARE K.O. DRUM BLDG.

NOTES:
1. REFER TO 07 SERIES DWG FOR CONTACTOR COIL NUMBERING AND QUANTITY.

NO.	REVISION	PROJECT	DSN	DRN	CHK'D	APP'D	DATE
7	POST CONSTRUCTION REVISIONS	43884	BGO	SRM			06.02.14
6	2005 EXPANSION ISSUED FOR CONSTRUCTION	43884	BGO	FC	BGO	RLB	05.10.19
5	2005 EXPANSION ISSUED FOR BID	43884	BGO	FC	BGO		05.09.26
4	2005 EXPANSION ISSUED FOR APPROVAL	43884	BGO	FC	BGO		05.09.06
3	POST CONSTRUCTION REVISIONS	43733	ATB	SM	ATB		05.02.02
2	ISSUED FOR CONSTRUCTION	43733	ATB	FC	ATB	WDS	04.11.01
1	ISSUED FOR FIELD BID	43733	ATB	FC	ATB		04.10.15
0	ISSUED FOR APPROVAL	43733	ATB	FC	ATB		04.10.04

PERMIT STAMP:
STAMP APPLIED TO REV. 6 ONLY

GENERAL NOTES:
1. "POST CONSTRUCTION DRAWINGS" ARE GENERATED FROM CONSTRUCTION CHANGE INFORMATION FORWARDED TO BOWER DAMBERGER ROLSETH ENGINEERING LTD. BY THE OWNER'S FIELD SUPERVISORS AND/OR BIDDING CONTRACTORS. ANY CHANGES NOT DOCUMENTED WILL NOT APPEAR ON THE DRAWINGS AND THEREFORE THE DRAWING MAY NOT BE AN ACCURATE REPRESENTATION OF THE CONSTRUCTED FACILITY.
2. PRIOR TO THE COMMENCEMENT OF ANY CONSTRUCTION OR EXCAVATION IT SHALL BE THE RESPONSIBILITY OF THE OWNER'S REPRESENTATIVE TO VERIFY THE LOCATION AND STATUS OF ANY PIPING, ELECTRICAL EQUIPMENT OR BUILDINGS.
3. ANY REVISIONS MADE TO EXISTING EQUIPMENT, PIPING OR ELECTRICAL ON A FACILITY NOT DESIGNED BY B.D.R. ENG. LTD. IS ONLY SHOWN AS A REPRESENTATION OF WHAT EXISTS AND MUST BE VERIFIED BY THE OWNER.

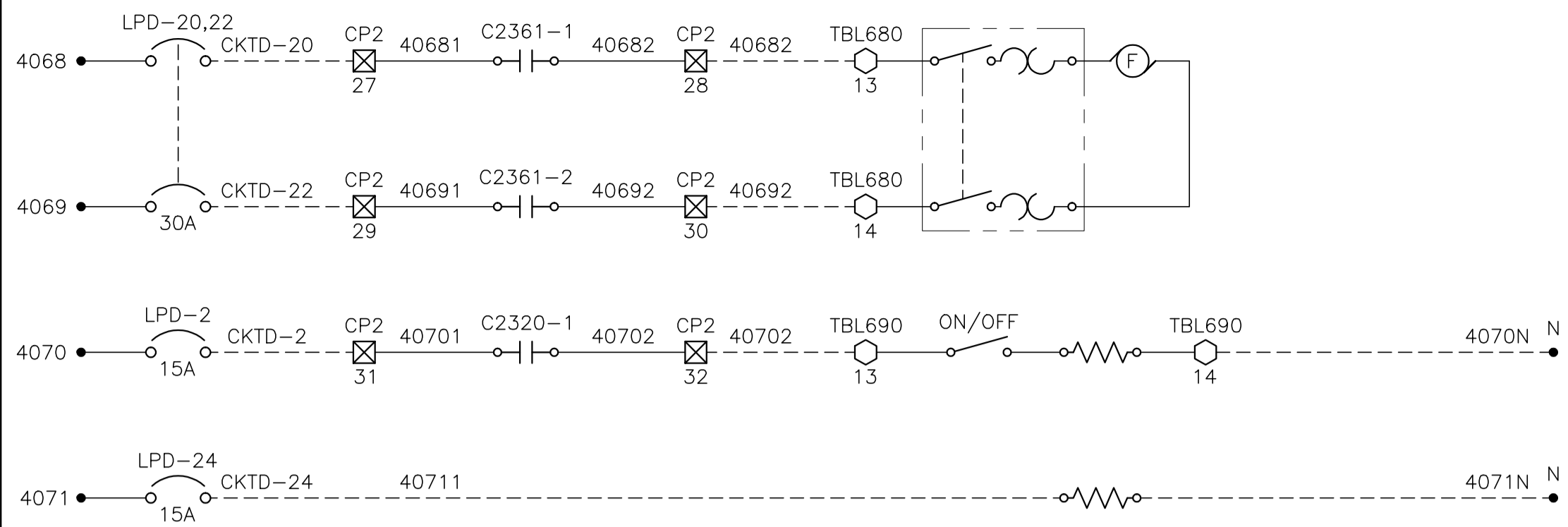
DESIGN	BY	DATE
DRAWN	ATB	04.09.29
CHK'D	FC	04.09.29
APP'D	BGO	05.10.19
L.S.D.	RLB	05.10.19
		15-10-62-06 W5M



FORT ENERGY CORPORATION

CORBETT GAS PLANT
120V_{ac}
CONTROL SCHEMATICS

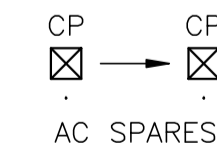
SCALE	DRAWING NUMBER	REV
N/A	D-23212-E-06-012	7



K-680
COMPRESSOR BLDG.
VENT FAN VF-68004

K-690
REFRIGERATION BLDG.
IMMERSION HEATER

4085 •
4086 •
4087 •
4088 •
4089 •
4090 •
4091 •
4092 •
4093 •
4094 •
4095 •
4096 •
4097 •
4098 •
4099 •
4100 •
4101 •



CONTROL SCHEMATICS -- LEGEND

- TS □ MAIN CONTROL PANEL TERMINAL
- STANDARD TERMINAL
- ⊠ DISCONNECT TYPE TERMINAL
- ⊞ FUSED TERMINAL
- MANUFACTURED EQUIPMENT TERMINAL
- ⊠ CP CONTACTOR PANEL TERMINAL
- ⊠ MTR.TAG MOTOR CONTROL CENTER TERMINAL
- ⊠ TB.TAG FIELD/SKID JUNCTION BOX TERMINAL

TAG	SERVICE
TBL	120VAC UTILITIES
TBD	24VDC CONTROL
TBA	ANALOG

TAG#	FIELD/SKID J.BOX
180	V-180 INLET BLDG.
182	V-182 BLOWCASE BLDG.
650	K-650 BOOSTER COMPRESSOR BLDG.
620	K-620 COMPRESSOR BLDG.
630	K-630 COMPRESSOR BLDG.
670	K-670 COMPRESSOR BLDG.
680	K-680 COMPRESSOR BLDG.
300	C-300 AMINE BLDG.
640	K-640 REFRIGERATION BLDG.
690	K-690 REFRIGERATION BLDG.
711	T-711 SOUTH TANK FARM AREA
701	T-701 NORTH TANK FARM AREA
709	FLARE K.O. DRUM BLDG.

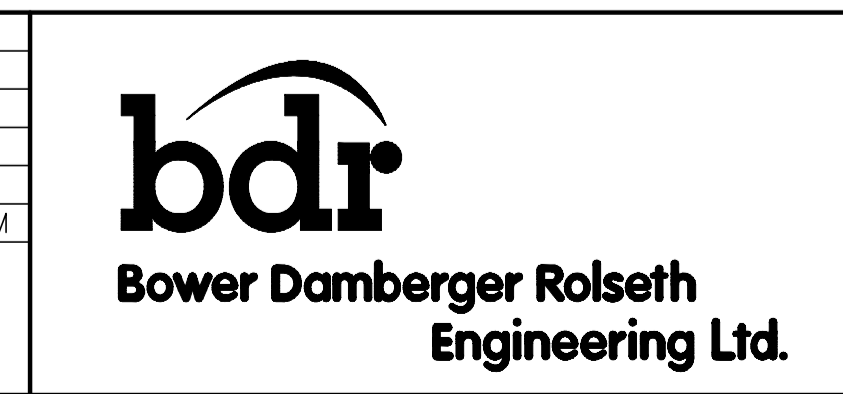
NOTES:
1. REFER TO 07 SERIES DWG FOR CONTACTOR COIL NUMBERING AND QUANTITY.

NO.	REVISION	PROJECT	DSN	DRN	CHK'D	APP'D	DATE
3	POST CONSTRUCTION REVISIONS	43884	BGO	SRM			06.02.14
2	2005 EXPANSION ISSUED FOR CONSTRUCTION	43884	BGO	FC	BGO	RLB	05.10.19
1	2005 EXPANSION ISSUED FOR BID	43884	BGO	FC	BGO		05.09.26
0	2005 EXPANSION ISSUED FOR APPROVAL	43884	BGO	FC	BGO		05.09.06

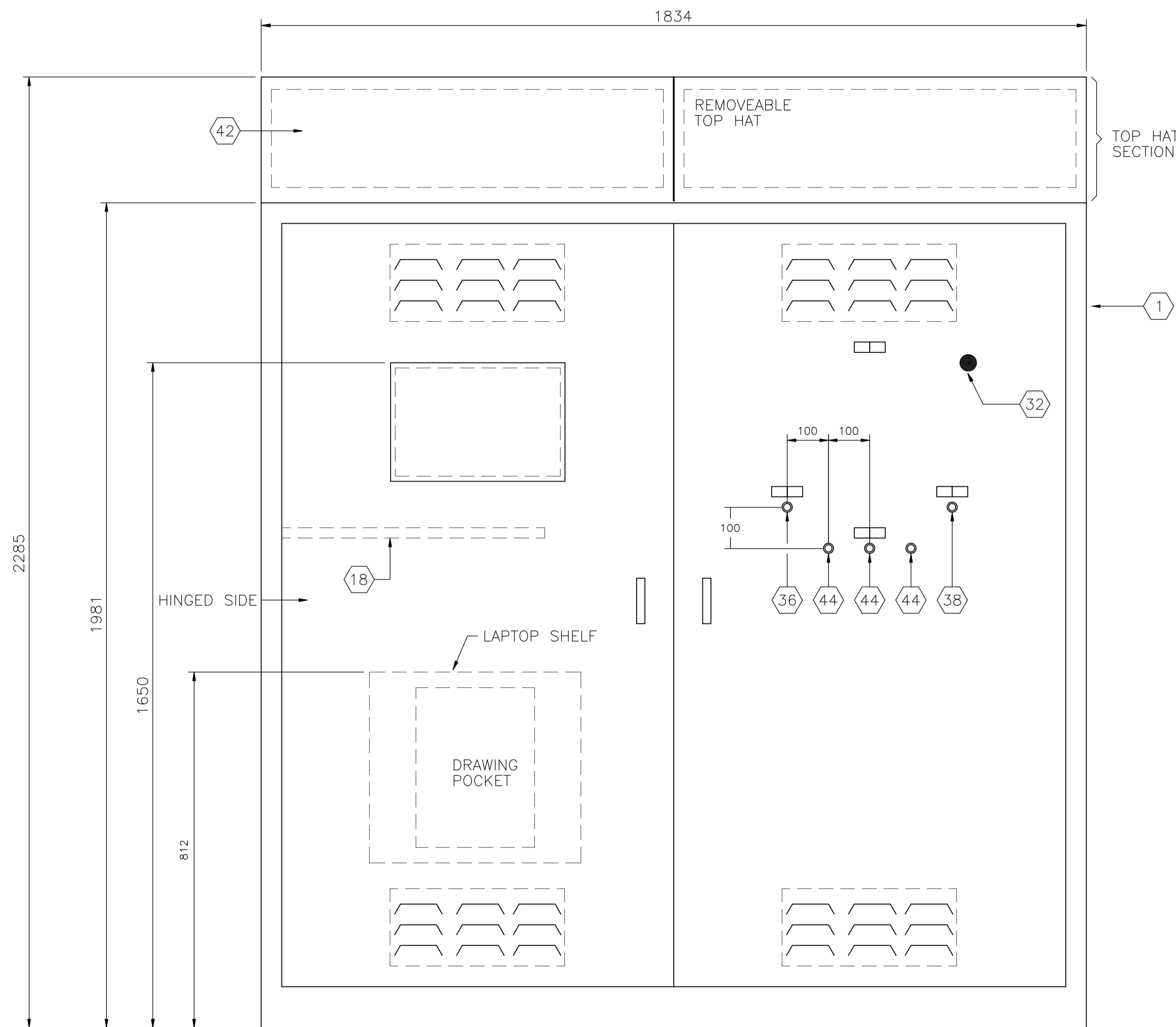
PERMIT STAMP:
STAMP APPLIED TO REV. 2 ONLY

GENERAL NOTES:
1. "POST CONSTRUCTION DRAWINGS" ARE GENERATED FROM CONSTRUCTION CHANGE INFORMATION FORWARDED TO BOWER DAMBERGER ROLSETH ENGINEERING LTD. BY THE OWNER'S FIELD SUPERVISORS AND/OR FIELD CONTRACTORS. ANY CHANGES NOT DOCUMENTED WILL NOT APPEAR ON THE DRAWINGS AND THEREFORE THE DRAWING MAY NOT BE AN ACCURATE REPRESENTATION OF THE CONSTRUCTED FACILITY.
2. PRIOR TO THE COMMENCEMENT OF ANY CONSTRUCTION AND/OR EXCAVATION IT SHALL BE THE RESPONSIBILITY OF THE OWNER'S REPRESENTATIVE TO VERIFY THE LOCATION AND STATUS OF ANY PIPING, ELECTRICAL EQUIPMENT OR BUILDINGS.
3. ANY REVISIONS MADE TO EXISTING EQUIPMENT, PIPING OR ELECTRICAL ON A FACILITY NOT DESIGNED BY B.D.R. ENG. LTD. IS ONLY SHOWN AS A REPRESENTATION OF WHAT EXISTS AND MUST BE VERIFIED BY THE OWNER.

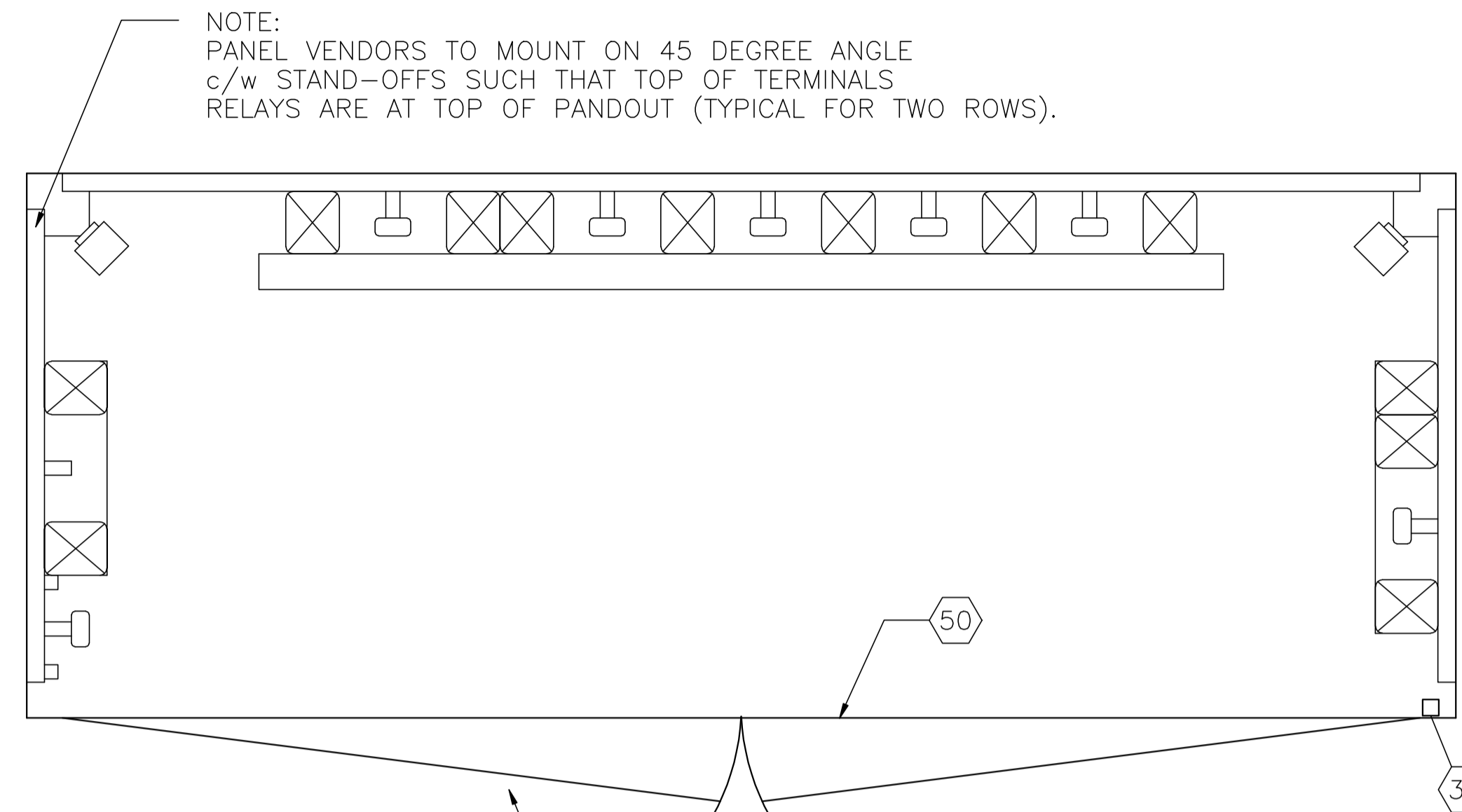
	BY	DATE
DESIGN	BGO	05.08.29
DRAWN	FC	05.08.29
CHK'D	BGO	05.10.19
APP'D	RLB	05.10.19
L.S.D.	15-10-62-06	WSM



FORT ENERGY CORPORATION		
CORBETT GAS PLANT		
120V _{ac}		
CONTROL SCHEMATICS		
SCALE	DRAWING NUMBER	REV
N/A	D-23212-E-06-013	3



FRONT EXTERIOR VIEW



NOTE:
 PANEL VENDORS TO MOUNT ON 45 DEGREE ANGLE
 c/w STAND-OFFS SUCH THAT TOP OF TERMINALS
 RELAYS ARE AT TOP OF PANDOUT (TYPICAL FOR TWO ROWS).

DOORS c/w THREE POINT HANDLE
 AND LATCHES (TOP,CENTER & BOTTOM)
 OVERLAP WHEN CLOSED.

TOP VIEW

NO.	REVISION	PROJ. No.	BY	DATE	CHK.	DATE
2	POST CONSTRUCTION REVISIONS	43733	SM	05.02.02	ATB	05.02.02
1	ISSUED FOR CONSTRUCTION	43733	FC	04.10.28	ATB	04.11.01
0	ISSUED FOR FIELD BID	43733	SM	04.10.15	ATB	04.10.15

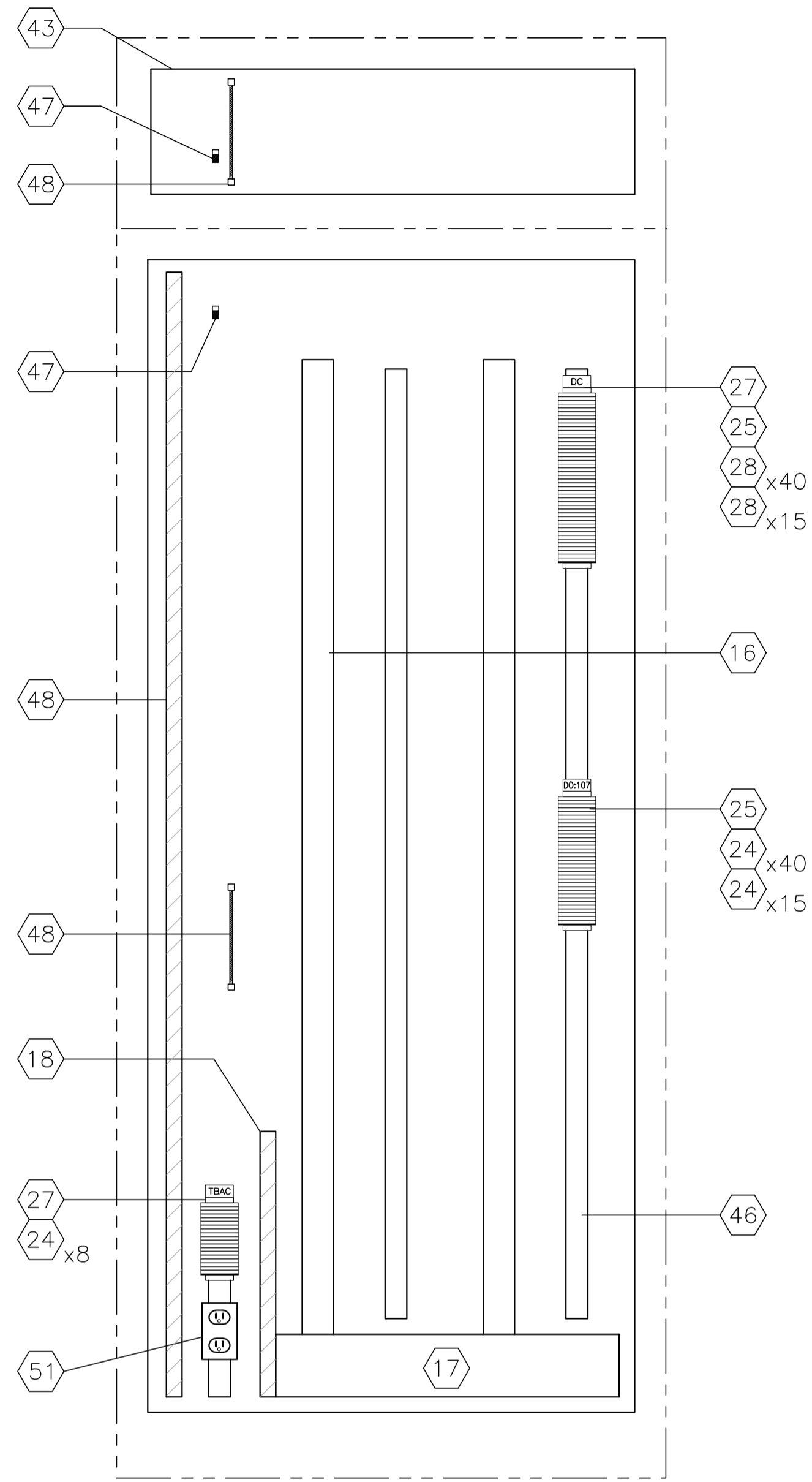
PERMIT STAMP:	STAMP APPLIED TO REV. 1 ONLY
---------------	------------------------------

GENERAL NOTES:
1. "POST CONSTRUCTION DRAWINGS" ARE GENERATED FROM CONSTRUCTION CHANGE INFORMATION FORWARDED TO BOWER DAMBERGER ROLSETH ENGINEERING LTD. BY THE OWNER'S FIELD SUPERVISORS AND/OR FIELD CONTRACTORS. ANY CHANGES NOT DOCUMENTED WILL NOT APPEAR ON THE DRAWINGS AND THEREFORE THE DRAWING MAY NOT BE AN ACCURATE REPRESENTATION OF THE CONSTRUCTED FACILITY.
2. PRIOR TO THE COMMENCEMENT OF ANY CONSTRUCTION AND/OR EXCAVATION IT SHALL BE THE RESPONSIBILITY OF THE OWNER'S REPRESENTATIVE TO VERIFY THE LOCATION AND STATUS OF ANY PIPING, ELECTRICAL, EQUIPMENT OR BUILDINGS.
3. ANY REVISIONS MADE TO EXISTING EQUIPMENT, PIPING OR ELECTRICAL ON A FACILITY NOT DESIGNED BY B.D.R. ENG. LTD. IS ONLY SHOWN AS A REPRESENTATION OF WHAT EXISTS AND MUST BE VERIFIED BY THE OWNER.

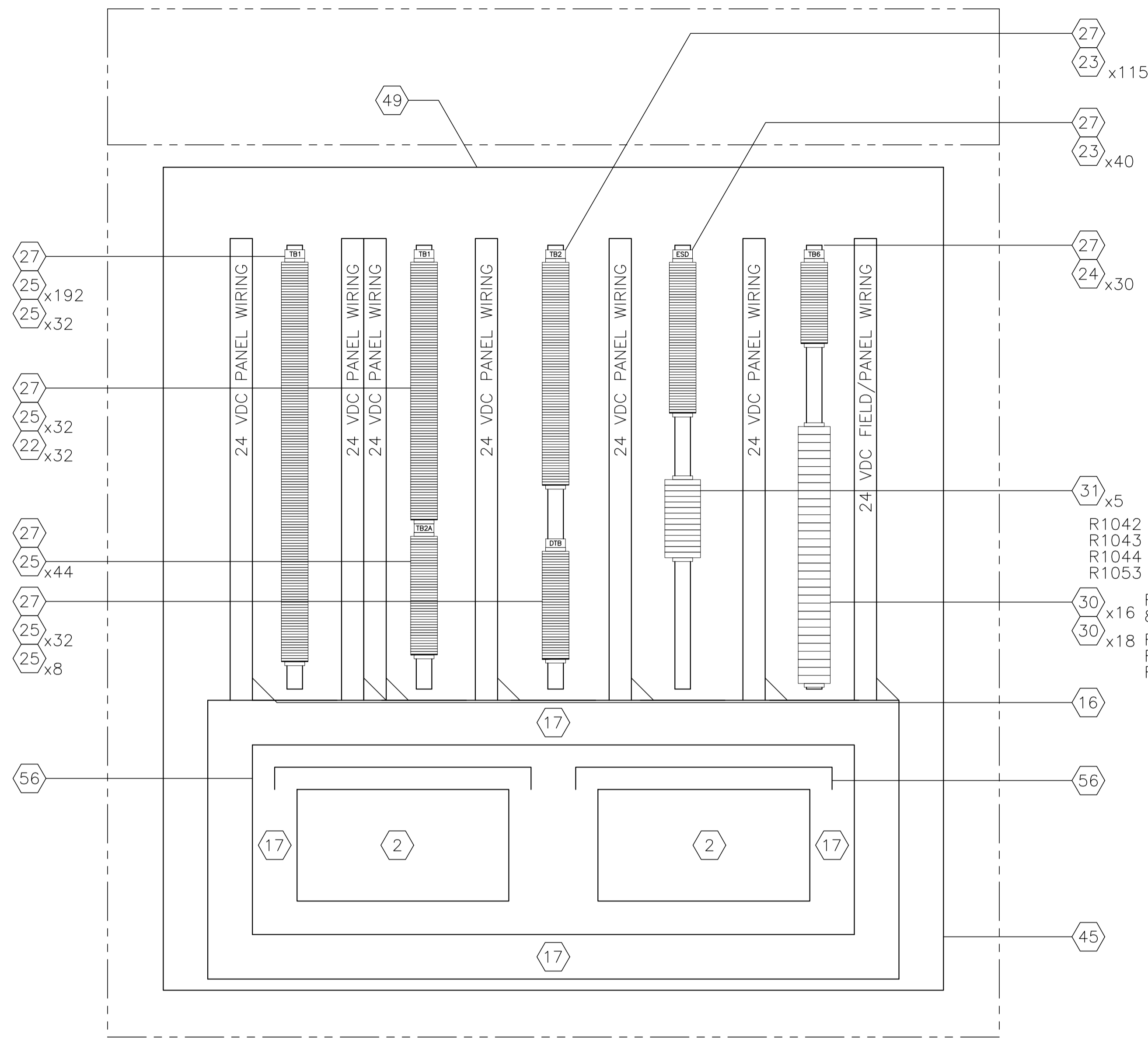
DRN.	BY	DATE
CHK.	FC	04.09.30
APP'D.		
L.S.D.	15-10-62-06	WSM



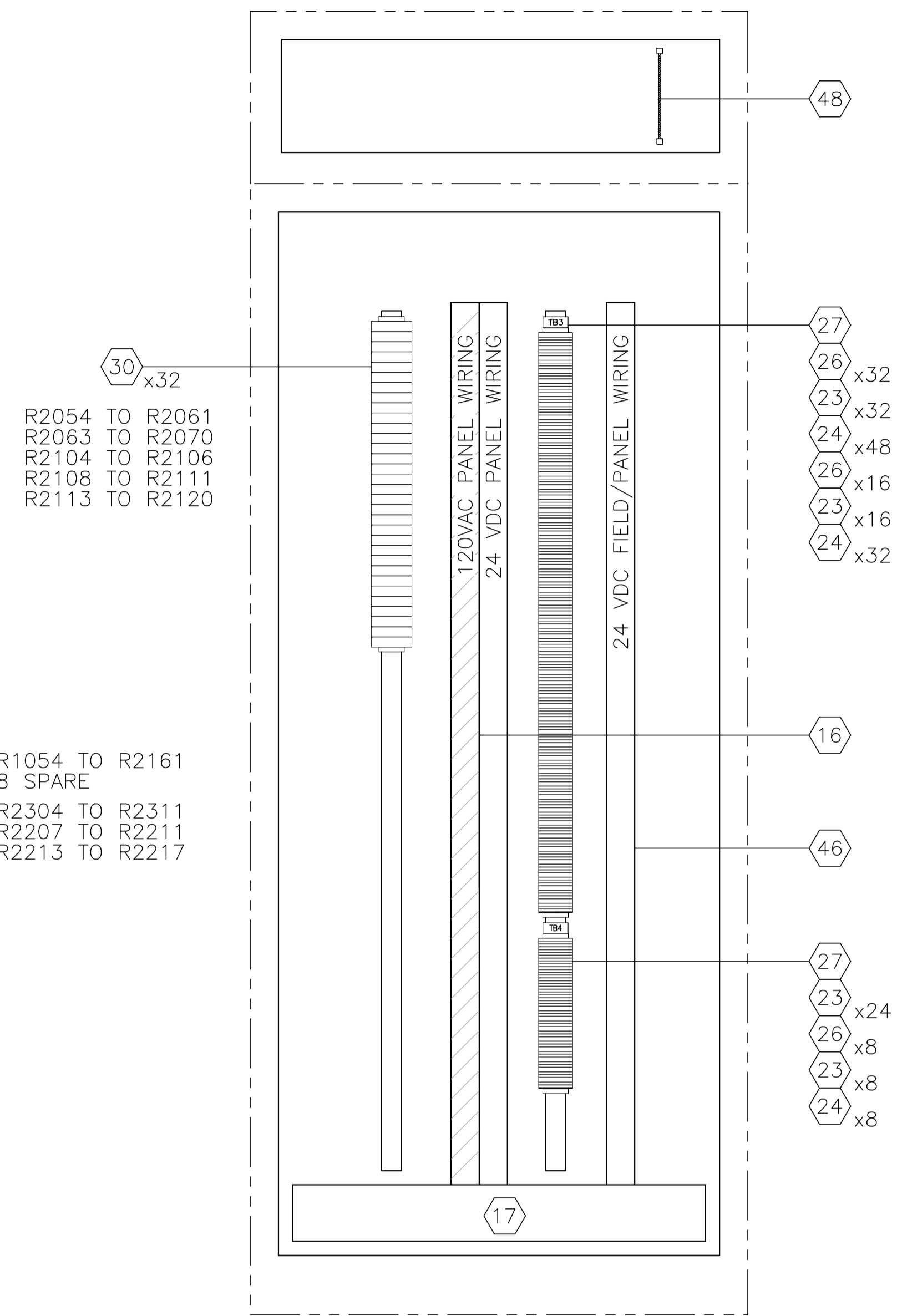
FORT ENERGY CORPORATION		
CORBETT GAS PLANT CONTROL PANEL EXTERIOR LAYOUT		
SCALE	DRAWING NUMBER	REV
1 : 7.5	D-23212-E-07-001	2



L.H. SIDE VIEW



BACKPAN LAYOUT



R.H. SIDE VIEW

R2054 TO R2061
 R2063 TO R2070
 R2104 TO R2106
 R2108 TO R2111
 R2113 TO R2120

R1054 TO R2161
 8 SPARE

R2304 TO R2311
 R2207 TO R2211
 R2213 TO R2217

CONSTRUCTION – LAYOUT NOTE:

- BACKPAN SIZE TO BE DETERMINED BY PANEL MANUFACTURER BASED ON SPACE UTILIZATION WITH THE SHOWN LAYOUT.
- | | |
|--|-----------|
| | AC PANUIT |
| | DC PANUIT |
- PANEL OUTER DIMENSIONS TO BE AS SHOWN ±6mm ANY DEVIATION TO BE APPROVED BY OWNER.
- LAYOUT SHOWN FOR REFERENCE ONLY; ACTUAL EQUIPMENT DIMENSIONS SHALL GOVERN.

NO.	REVISION	PROJECT	DSN	DRN	CHK'D	APP'D	DATE
6	POST CONSTRUCTION REVISIONS	43884	BGO	SRM			06.02.14
5	2005 EXPANSION ISSUED FOR CONSTRUCTION	43884	BGO	FC	BGO	RLB	05.10.19
4	2005 EXPANSION ISSUED FOR BID	43884	BGO	FC	BGO		05.09.26
3	2005 EXPANSION ISSUED FOR APPROVAL	43884	BGO	FC	BGO		05.09.06
2	POST CONSTRUCTION REVISIONS	43733	ATB	SM	ATB		05.02.02
1	ISSUED FOR CONSTRUCTION	43733	ATB	FC	ATB	WDS	04.11.01
0	ISSUED FOR FIELD BID	43733	ATB	SM	ATB		04.10.15

PERMIT STAMP:	STAMP APPLIED TO REV. 5 ONLY
---------------	------------------------------

GENERAL NOTES:

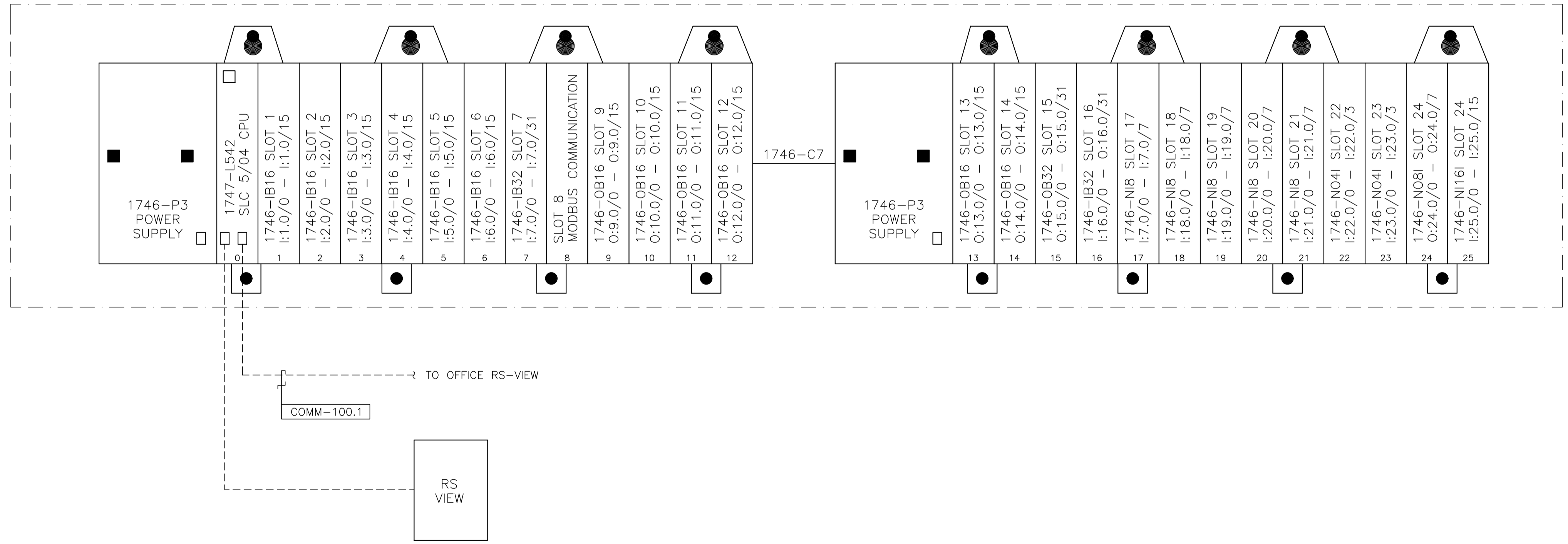
- "POST CONSTRUCTION DRAWINGS" ARE GENERATED FROM CONSTRUCTION CHANGE INFORMATION FORWARDED TO BOWER DAMBERGER ROLSETH ENGINEERING LTD. BY THE OWNER'S FIELD SUPERVISORS AND/OR BIDDING CONTRACTORS. ANY CHANGES NOT DOCUMENTED WILL NOT APPEAR ON THE DRAWINGS AND THEREFORE THE DRAWING MAY NOT BE AN ACCURATE REPRESENTATION OF THE CONSTRUCTED FACILITY.
- PRIOR TO THE COMMENCEMENT OF ANY CONSTRUCTION AND/OR EXCAVATION IT SHALL BE THE RESPONSIBILITY OF THE OWNER'S REPRESENTATIVE TO VERIFY THE LOCATION AND STATUS OF ANY PIPING, ELECTRICAL EQUIPMENT OR BUILDINGS.
- ANY REVISIONS MADE TO EXISTING EQUIPMENT, PIPING OR ELECTRICAL ON A FACILITY NOT DESIGNED BY B.D.R. ENG. LTD. IS ONLY SHOWN AS A REPRESENTATION OF WHAT EXISTS AND MUST BE VERIFIED BY THE OWNER.

DESIGN	BY	DATE
APP'D	ATB	04.10.15
CHK'D	SM	04.10.15
L.S.D.		15-10-62-06 W5M

FORT ENERGY CORPORATION		
CORBETT GAS PLANT CONTROL PANEL INTERIOR LAYOUT		
SCALE	DRAWING NUMBER	REV
1 : 7.5	D-23212-E-07-002	6

CONTROL PANEL BILL OF MATERIALS			
ITEM	QTY	DESCRIPTION	MANUFACTURER CAT. NO.
1	1	EEMAC-12 CABINET, 12 GAUGE STEEL, 1834mm(W) x 2286mm(H) x 812mm(D) WITH REMOVABLE HINGED, FLUSH MOUNTED DOOR, LOUVERS c/w FILTERS, DRAWING POCKET & LIFTING LUGS. ALL METAL TO BE DEBURRIED AND DEGREASED. PRIMER COATED & PAINTED EXTERIOR ASA 61 GREY, INTERIOR WHITE ENAMEL (INCLUDING MOUNTING PANS.) DOOR SHALL HAVE STIFFENING MEMBERS TO ENSURE PROPER RIGIDITY. HANDLE SHALL BE LOCKABLE VIA 3 POINT LOCKING MECHANISMS. MOUNTING PANS (1 BACK & 2 SIDES) ARE TO BE 12 GAUGE STEEL. ONE PIECE WHERE POSSIBLE UNLESS DOOR SIZES DO NOT PERMIT INSTALLATION.	PANEL VENDOR
2	-	PLC SYSTEM SLC 5/04 C/W 13 SLOT 1/0 CHASSIS 1 - 1747-L541 SLC 5/04 PROCESSOR 2 - 1746-P3 POWER SUPPLY 6 - 1746-IB16 DISCRETE INPUT MODULES 6 - 1746-OB16 DISCRETE OUTPUT MODULES 2 - 1746-A13 SLOT CHASSIS 3 - 1746-N18 ANALOG INPUT MODULES 2 - 1746-RT25G REMOVABLE TERMINAL BLOCKS (FOR 1746-N18 A/1 MODULE) 1 - 1746-N041 ANALOG OUTPUT MODULES 1 - 1746-RT27 REMOVABLE TERMINAL BLOCKS (FOR 1746-N041 A/0 MODULE) 1 - 1747-SN 1 - 1747-C7	ALLEN-BRADLEY (OWNERS SUPPLIED)
3	-		
4	-		
5	-		
6	1	PANEL VIEW 1000 INTERFACE DH+ 24 VDC	ALLEN-BRADLEY 2711-T10GB-L1 (OWNERS SUPPLIED)
7	-		
8	-		
9	-		
10	-		
11	-		
12	-		
13	AS REQ'D	WIRE WAY c/w COVER, WHITE, 50mm(W) x 100mm(H) NOTE 1	PANDUIT
14	AS REQ'D	WIRE WAY c/w COVER, WHITE, 75mm(W) x 100mm(H) NOTE 1	PANDUIT
15	AS REQ'D	WIRE WAY c/w COVER, WHITE, 100mm(W) x 100mm(H) NOTE 1	PANDUIT
16	AS REQ'D	WIRE WAY c/w COVER, WHITE, 75mm(W) x 125mm(H) NOTE 1	PANDUIT
17	AS REQ'D	WIRE WAY c/w COVER, WHITE, 100mm(W) x 125mm(H) NOTE 1	PANDUIT
18	AS REQ'D	WIRE WAY c/w COVER, WHITE, 25mm(W) x 25mm(H) NOTE 1	PANDUIT
19	1		
20	1		
21	1		
22	AS REQ'D	TERMINAL BLOCK, NON-DISCONNECT TYPE c/w MOUNTING RAIL. END BRACKETS & SUPPORT BLOCK	WEIDMULLER WDU-4
23	AS REQ'D	TERMINAL BLOCK, DISCONNECT TYPE c/w MOUNTING RAIL. END BRACKETS & SUPPORT BLOCK	WEIDMULLER WTR-2.5 #101120
24	AS REQ'D	TERMINAL BLOCK, DISCONNECT TYPE c/w MOUNTING RAIL. END BRACKETS & SUPPORT BLOCK	WEIDMULLER WDU-2.5 #102000 c/w STB-8.5 #021570
25	AS REQ'D	TERMINAL BLOCK, DISCONNECT TYPE c/w MOUNTING RAIL. END BRACKETS & SUPPORT BLOCK	WEIDMULLER WDU-4
26	AS REQ'D	FUSED TERMINAL BLOCK, FUSE SIZES PER SWITCHES	WEIDMULLER WS-16 #101100
27	AS REQ'D	GROUP MARKING CARRIER	WEIDMULLER SHT-5 #029246
28	AS REQ'D	FUSED TERMINAL BLOCK, FUSE SIZES PER SWITCHES c/w NEON INDICATING LIGHT	WEIDMULLER WSI-6 #990963
29	1		
30	66	24 VDC RELAY, SPOT, c/w MOUNTING RAIL	WEIDMULLER RS30 #110021
31	1	24 VDC RELAY 3 POT, c/w SOCKET & MOUNTING RAIL	OMRON #MK3PS-1 c/w PF113A-E
32	1	24 VDC BUZZER	SONALERT SC628
33	1		

CONTROL PANEL BILL OF MATERIALS			
ITEM	QTY	DESCRIPTION	MANUFACTURER CAT. NO.
34	-		
35	-		
36	1	MOMENTARY CONTACT MUSHROOM HEAD PUSHBUTTON RED c/w SHROUD (ESD)	ALLEN-BRADLEY 800T-D6A c/w 800T-N129
37	-		
38	1	MOMENTARY CONTACT PUSHBUTTON GREEN	
39	1	TWO POSITION SELECTOR SWITCH MAINTAINED	
40	-		
41	-		
42	2	FRONT PLATE (SIZE AS REQUIRED)	PANEL VENDOR
43	2	SIDEPAN 662mm(W) x 305mm(H)	PANEL VENDOR
44	2	PLUG OUT HOLE FOR FUTURE	PANEL VENDOR
45	1	BACKPAN 1634mm(W) x 1881mm(H)	PANEL VENDOR
46	2	SIDEPAN 662mm(W) x 1881mm(H)	PANEL VENDOR
47	2	GROUND LUG FOR #2 AWG	BURNDY KA4C
48	3	GROUND BUS, 10 x 10 x 150, c/w SET SCREWS	PANEL VENDOR
49	1	1 x 30, 120VAC FLOURSCENT STRIP c/w CASE	PANEL VENDOR
50	1	MICROSWITCH, DOOR ACTUATED TO OPERATE FLOURSCENT STRIP LIGHT	PANEL VENDOR
51	1	120 VAC RECEPTACLE, DIN RAIL MOUNTED MAINTENANCE RECEPTACLE	WEIDMULLER CAT. #991549
52	1	SHELF FOR MISCELLANEOUS ITEMS	PANEL VENDOR
53	-		
54	-		
55	-		
56	2	SHELF (SIZE AS REQUIRED TO COVER PROCESSORS)	
57	-		
58	-		
59	-		
60	20	TEST JUMPERS (ORANGE WIRE) FOR WTR-2.5 SIB TERMINALS 10-2 METER LENGTHS AND 10-1 METER LENGTHS	PANEL VENDOR
61	EACH SIZE	EXTRA FUSES OF EAH SIZE PER SWITCHES	PANEL VENDOR
62	-		



NO.	REVISION	PROJECT	DSN	DRN	CHK'D	APP'D	DATE
6	POST CONSTRUCTION REVISIONS	43884	BGO	SRM			06.02.14
5	2005 EXPANSION ISSUED FOR CONSTRUCTION	43884	BGO	FC	BGO	RLB	05.10.19
4	2005 EXPANSION ISSUED FOR BID	43884	BGO	FC	BGO		05.09.26
3	2005 EXPANSION ISSUED FOR APPROVAL	43884	BGO	FC	BGO		05.09.06
2	POST CONSTRUCTION REVISIONS	43733	ATB	SM	ATB		05.02.02
1	ISSUED FOR CONSTRUCTION	43733	ATB	FC	ATB	WDS	04.11.01
0	ISSUED FOR FIELD BID	43733	ATB	PC	ATB		04.10.15

PERMIT STAMP:	STAMP APPLIED TO REV. 5 ONLY
GENERAL NOTES:	<ol style="list-style-type: none"> "POST CONSTRUCTION DRAWINGS" ARE GENERATED FROM CONSTRUCTION CHANGE INFORMATION FORWARDED TO BOWER DAMBERGER ROLSETH ENGINEERING LTD. BY THE OWNER'S FIELD SUPERVISORS AND/OR FIELD CONTRACTORS. ANY CHANGES NOT DOCUMENTED WILL NOT APPEAR ON THE DRAWINGS AND THEREFORE THE DRAWING MAY NOT BE AN ACCURATE REPRESENTATION OF THE CONSTRUCTED FACILITY. PRIOR TO THE COMMENCEMENT OF ANY CONSTRUCTION AND/OR EXCAVATION IT SHALL BE THE RESPONSIBILITY OF THE OWNER REPRESENTATIVE TO VERIFY THE LOCATION AND STATUS OF ANY PIPING, ELECTRICAL EQUIPMENT OR BUILDINGS. ANY REVISIONS MADE TO EXISTING EQUIPMENT, PIPING OR ELECTRICAL ON A FACILITY NOT DESIGNED BY B.D.R. ENG. LTD. IS ONLY SHOWN AS A REPRESENTATION OF WHAT EXISTS AND MUST BE VERIFIED BY THE OWNER.

DESIGN	BY	DATE
DRAWN	ATB	04.08.29
CHK'D	PC	04.08.29
APP'D	BGO	05.10.19
L.S.D.	RLB	05.10.19
		15-10-62-06 WSM

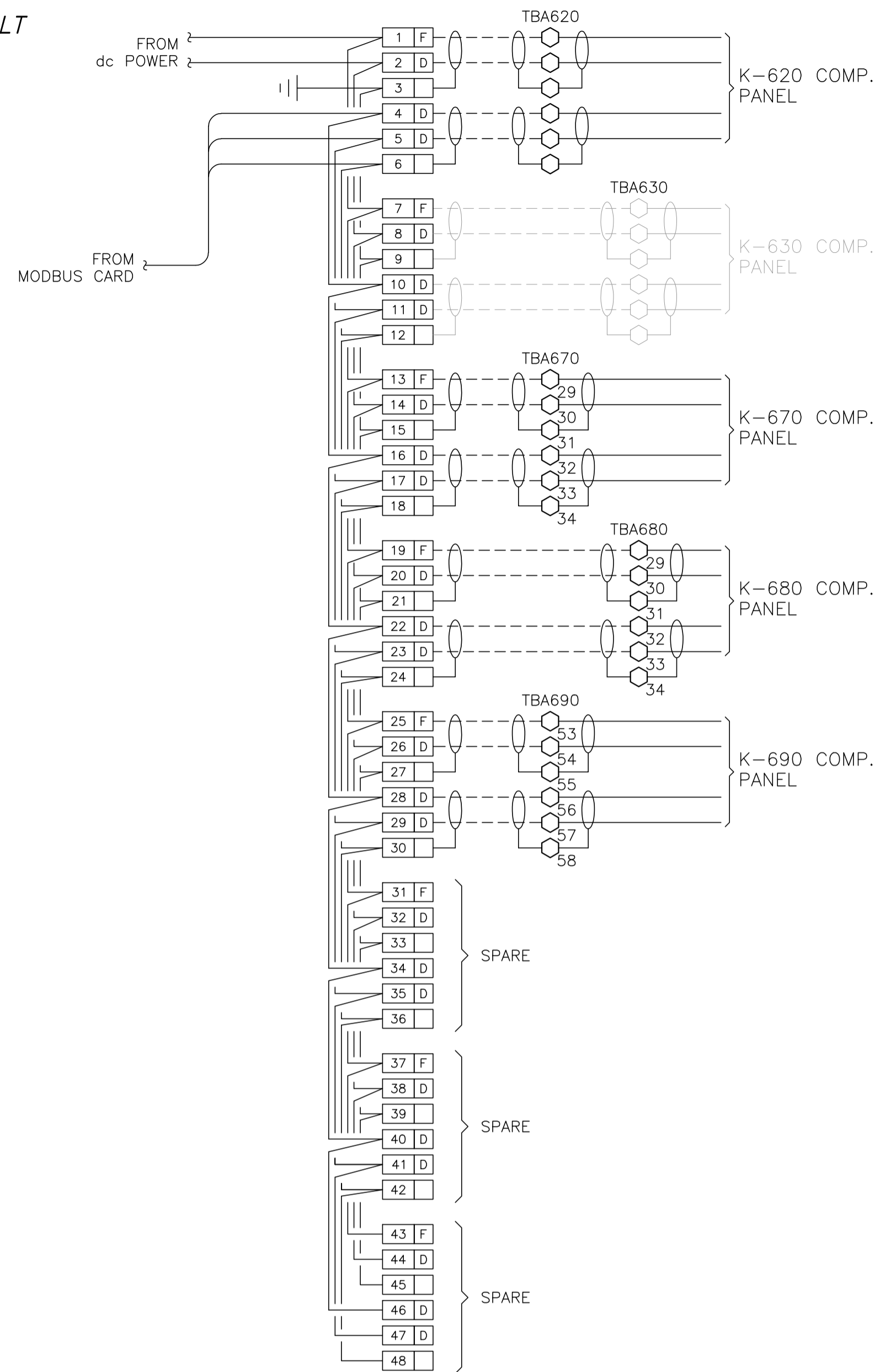
Bower Damberger Rolseth Engineering Ltd.

FORT ENERGY CORPORATION

CORBETT GAS PLANT
PLC LAYOUT AND DETAILS

SCALE	DRAWING NUMBER	REV
N/A	D-23212-E-07-003	6

FIELD TO AS-BUILT



CONTROL SCHEMATICS -- LEGEND

- TS MAIN CONTROL PANEL TERMINAL
- STANDARD TERMINAL
- DISCONNECT TYPE TERMINAL
- FUSED TERMINAL
- MANUFACTURED EQUIPMENT TERMINAL
- CONTACTOR PANEL TERMINAL
- MOTOR CONTROL CENTER TERMINAL
- FIELD/SKID JUNCTION BOX TERMINAL

- TAG SERVICE
- TBL 120VAC UTILITIES
- TBD 24VDC CONTROL
- TBA ANALOG

- TAG# FIELD/SKID J.BOX
- 180 V-180 INLET BLDG.
- 182 V-182 BLOWCASE BLDG.
- 650 K-650 BOOSTER COMPRESSOR BLDG.
- 620 K-620 COMPRESSOR BLDG.
- 630 K-630 COMPRESSOR BLDG.
- 670 K-670 COMPRESSOR BLDG.
- 680 K-680 COMPRESSOR BLDG.
- 300 C-300 AMINE BLDG.
- 640 K-640 REFRIGERATION BLDG.
- 690 K-690 REFRIGERATION BLDG.
- 711 T-711 SOUTH TANK FARM AREA
- 701 T-701 NORTH TANK FARM AREA
- 709 FLARE K.O. DRUM BLDG.

NO.	REVISION	PROJECT	DSN	DRN	CHK'D	APP'D	DATE
4	POST CONSTRUCTION REVISIONS	43884	BGO	SRM			06.02.14
3	2005 EXPANSION ISSUED FOR CONSTRUCTION	43884	BGO	FC	BGO	RLB	05.10.19
2	2005 EXPANSION ISSUED FOR BID	43884	BGO	FC	BGO		05.09.26
1	2005 EXPANSION ISSUED FOR APPROVAL	43884	BGO	FC	BGO		05.09.26
0	POST CONSTRUCTION REVISIONS	43733	BGO	FC	BGO		05.09.26

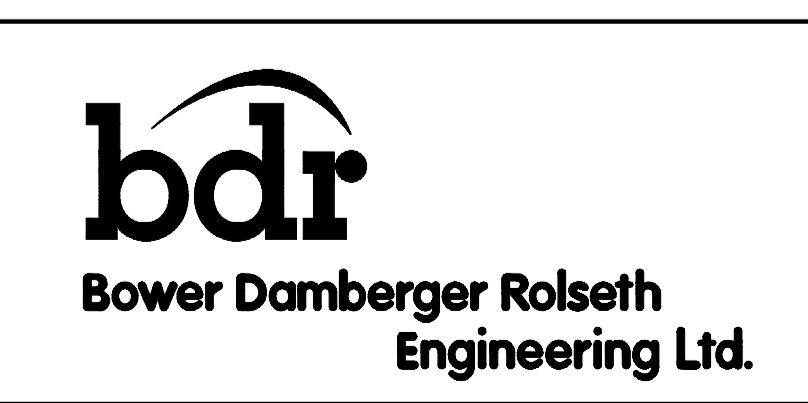
PERMIT STAMP:

STAMP APPLIED TO REV. 3 ONLY

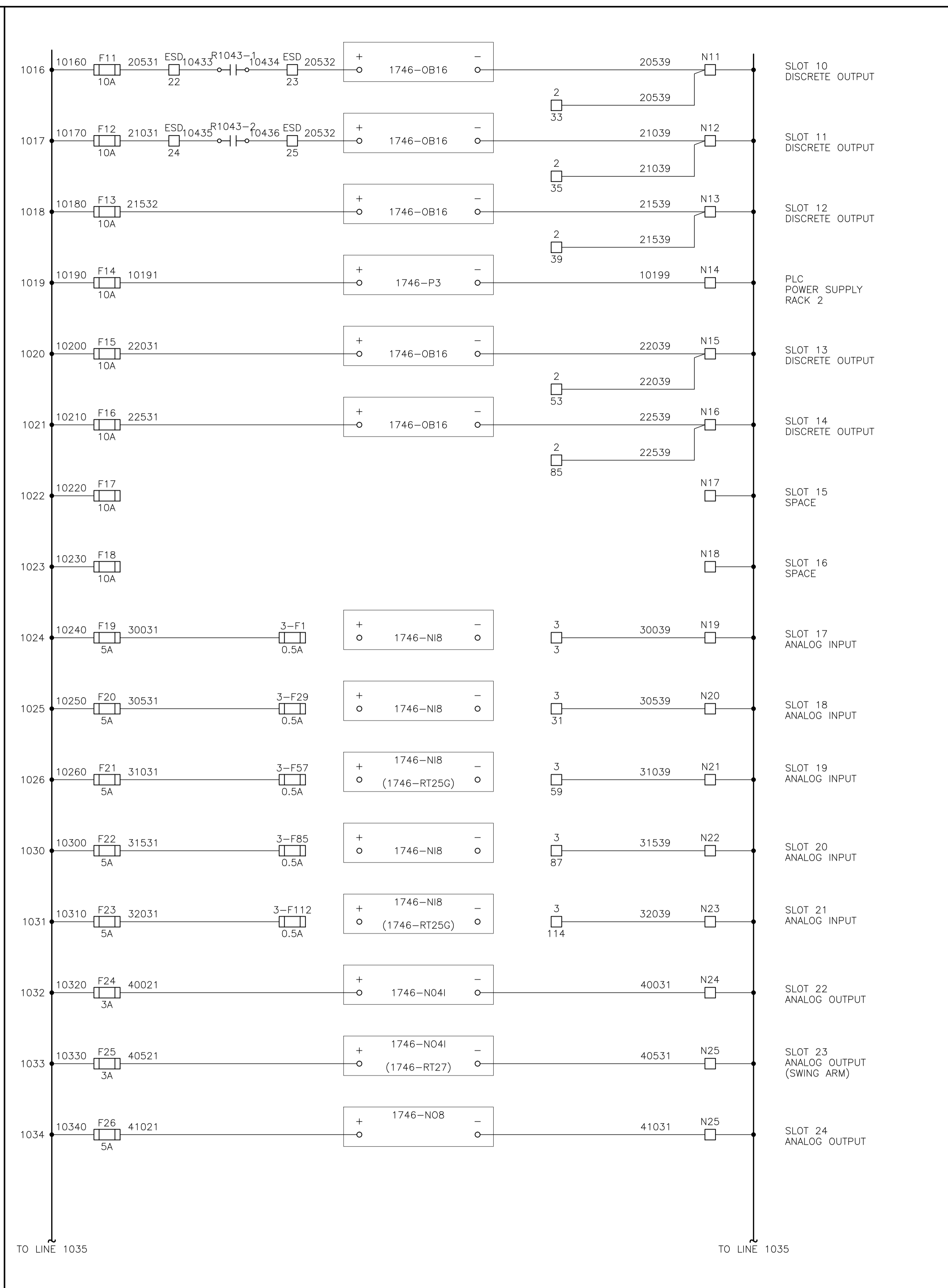
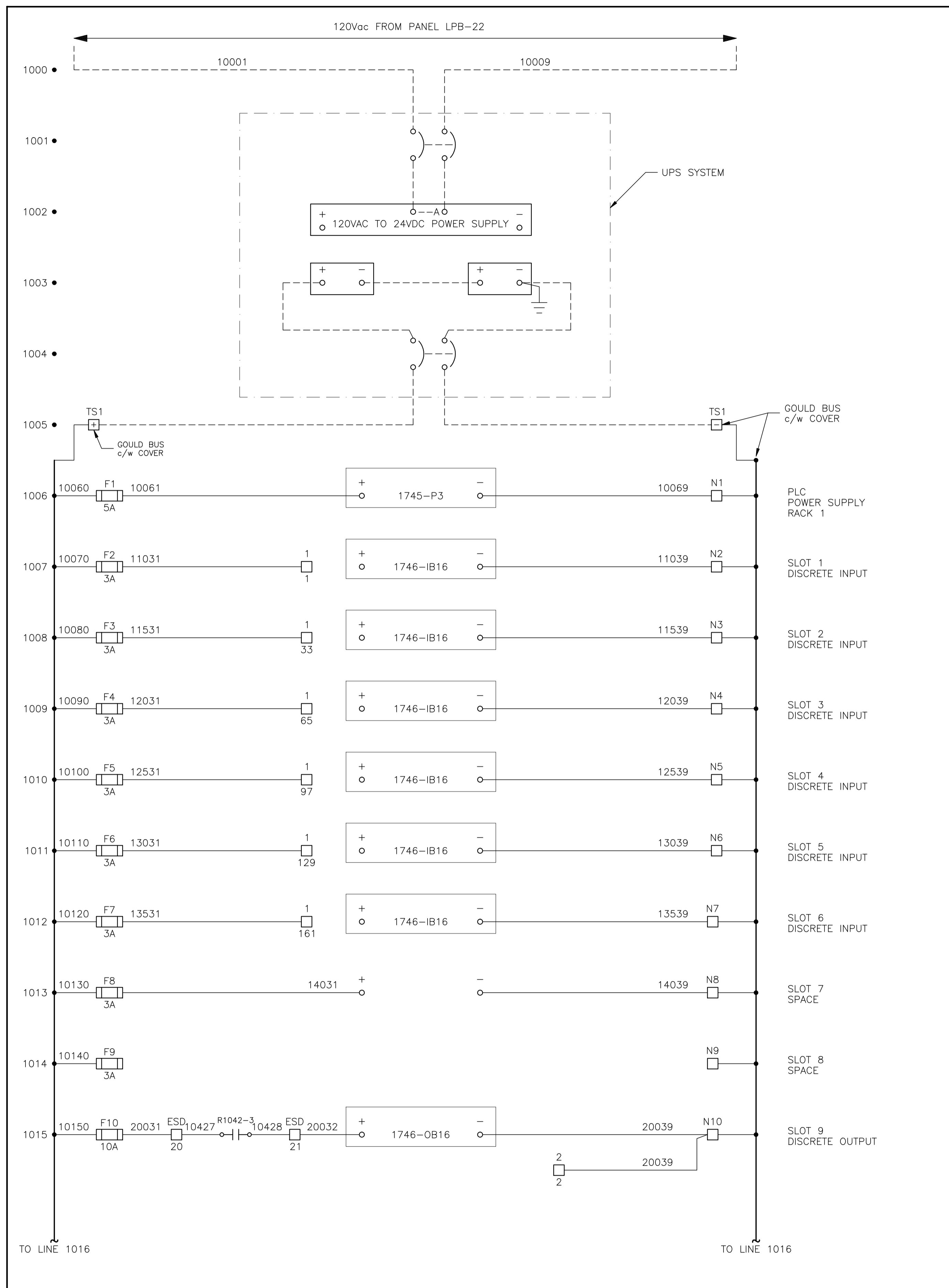
GENERAL NOTES:

- "POST CONSTRUCTION DRAWINGS" ARE GENERATED FROM CONSTRUCTION CHANGE INFORMATION FORWARDED TO BOWER DAMBERGER ROLSETH ENGINEERING LTD. BY THE OWNER'S FIELD SUPERVISORS AND/OR BIDDING CONTRACTORS. ANY CHANGES NOT DOCUMENTED WILL NOT APPEAR ON THE DRAWINGS AND THEREFORE THE DRAWING MAY NOT BE AN ACCURATE REPRESENTATION OF THE CONSTRUCTED FACILITY.
- PRIOR TO THE COMMENCEMENT OF ANY CONSTRUCTION AND/OR EXCAVATION IT SHALL BE THE RESPONSIBILITY OF THE OWNER'S REPRESENTATIVE TO VERIFY THE LOCATION AND STATUS OF ANY PIPING, ELECTRICAL, EQUIPMENT OR BUILDINGS.
- ANY REVISIONS MADE TO EXISTING EQUIPMENT, PIPING OR ELECTRICAL ON A FACILITY NOT DESIGNED BY B.D.R. ENG. LTD. IS ONLY SHOWN AS A REPRESENTATION OF WHAT EXISTS AND MUST BE VERIFIED BY THE OWNER.

DESIGN	BY	DATE
DRAWN	BGO	05.09.26
CHK'D	BGO	05.10.19
APP'D	RLB	05.10.19
L.S.D.	15-10-62-06	WSM



FORT ENERGY CORPORATION		
CORBETT GAS PLANT 24Vdc CONTROL SCHEMATICS		
SCALE	DRAWING NUMBER	REV
N/A	D-23212-E-07-010	4



CONTROL SCHEMATICS -- LEGEND

TS MAIN CONTROL PANEL TERMINAL
 STANDARD TERMINAL
 DISCONNECT TYPE TERMINAL
 FUSED TERMINAL
 MANUFACTURED EQUIPMENT TERMINAL
 CP CONTACTOR PANEL TERMINAL
 MTR.TAG MOTOR CONTROL CENTER TERMINAL
 TB.TAG FIELD/SKID JUNCTION BOX TERMINAL

TAG SERVICE
 TBL 120VAC UTILITIES
 TBD 24VDC CONTROL
 TBA ANALOG

TAG# FIELD/SKID J.BOX
 180 V-180 INLET BLDG.
 182 V-182 BLOWCASE BLDG.
 650 K-650 BOOSTER COMPRESSOR BLDG.
 620 K-620 COMPRESSOR BLDG.
 630 K-630 COMPRESSOR BLDG.
 670 K-670 COMPRESSOR BLDG.
 680 K-680 COMPRESSOR BLDG.
 300 C-300 AMINE BLDG.
 640 K-640 REFRIGERATION BLDG.
 690 K-690 REFRIGERATION BLDG.
 711 T-711 SOUTH TANK FARM AREA
 701 T-701 NORTH TANK FARM AREA
 709 FLARE K.O. DRUM BLDG.

NO.	REVISION	PROJ. No.	BY	DATE	CHK.	DATE
3	POST CONSTRUCTION REVISIONS	43733	SM	05.02.02	ATB	05.02.02
2	ISSUED FOR CONSTRUCTION	43733	FC	04.10.28	ATB	04.11.01
1	ISSUED FOR FIELD BID	43733	FC	04.10.15	ATB	04.10.15
0	ISSUED FOR APPROVAL	43733	SM	04.10.07	ATB	04.10.07

PERMIT STAMP:

STAMP APPLIED TO REV. 2 ONLY

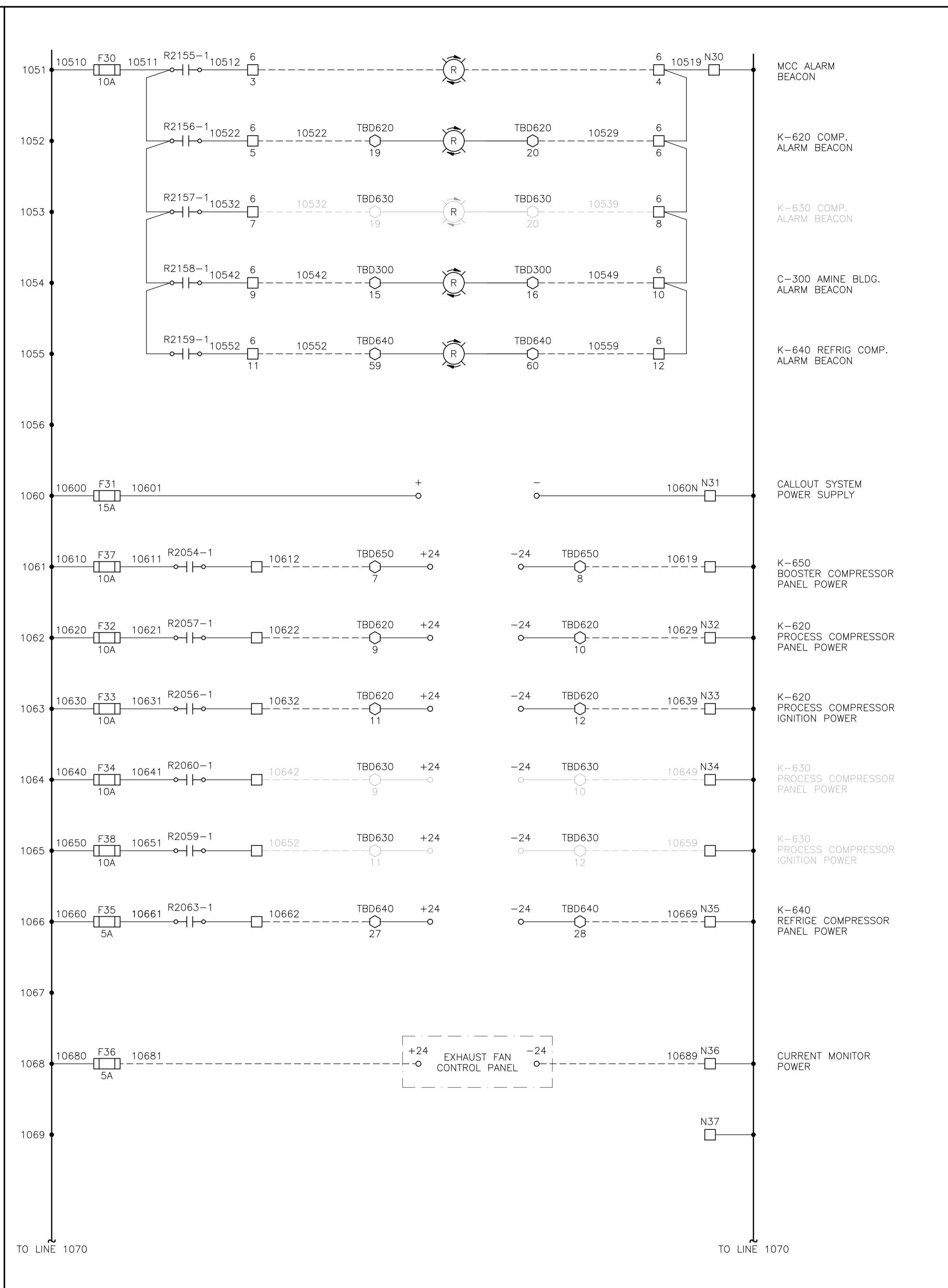
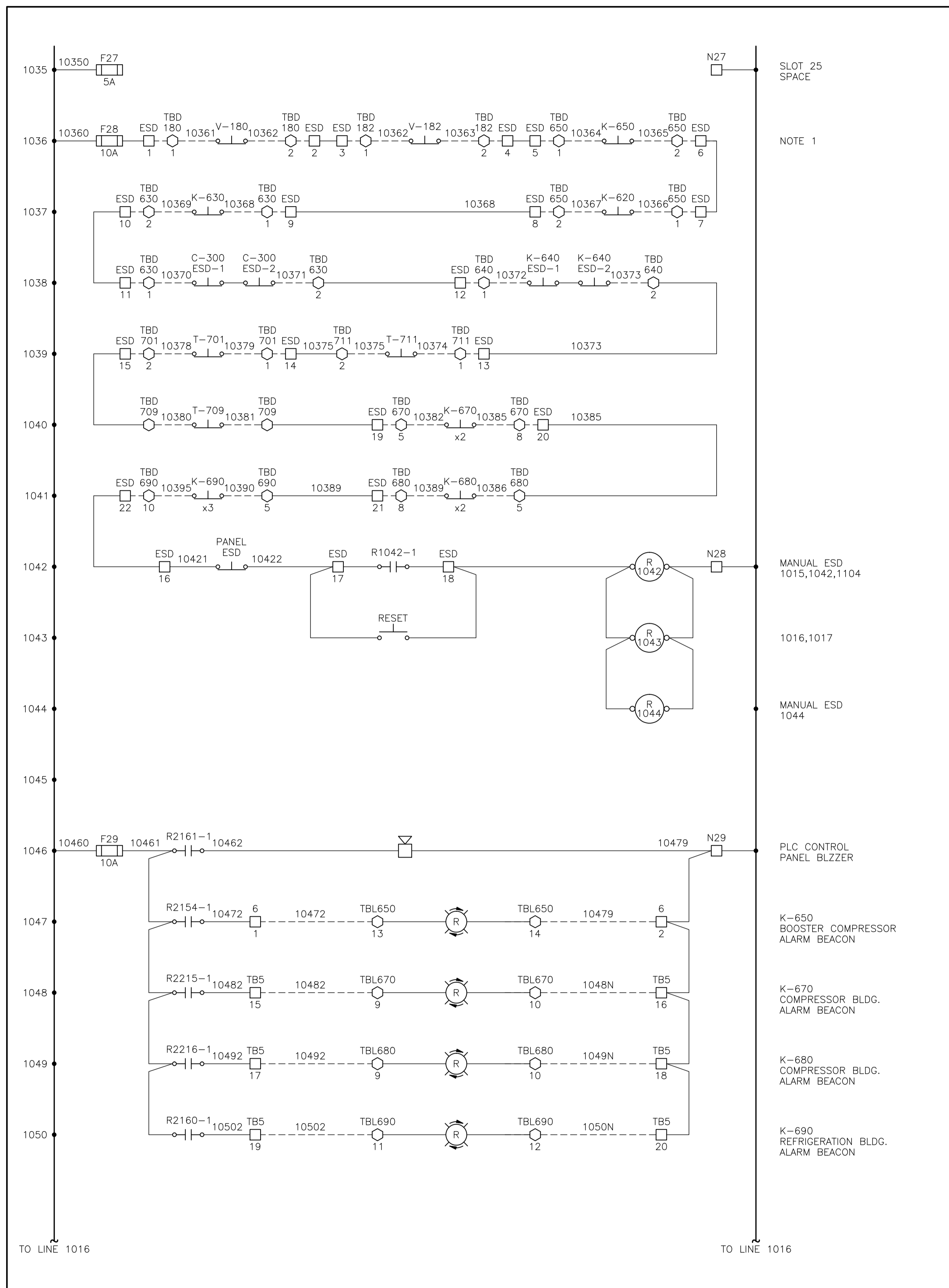
GENERAL NOTES:

- "POST CONSTRUCTION DRAWINGS" ARE GENERATED FROM CONSTRUCTION CHANGE INFORMATION FORWARDED TO BOWER DAMBERGER ROLSETH ENGINEERING LTD. BY THE OWNER'S FIELD SUPERVISORS AND/OR FIELD CONTRACTORS. ANY CHANGES NOT DOCUMENTED WILL NOT APPEAR ON THE DRAWINGS AND THEREFORE THE DRAWING MAY NOT BE AN ACCURATE REPRESENTATION OF THE CONSTRUCTED FACILITY.
- PRIOR TO THE COMMENCEMENT OF ANY CONSTRUCTION AND/OR EXCAVATION IT SHALL BE THE RESPONSIBILITY OF THE OWNER'S REPRESENTATIVE TO VERIFY THE LOCATION AND STATUS OF ANY PIPING, ELECTRICAL, EQUIPMENT OR BUILDINGS.
- ANY REVISIONS MADE TO EXISTING EQUIPMENT, PIPING OR ELECTRICAL ON A FACILITY NOT DESIGNED BY B.D.R. ENG. LTD. IS ONLY SHOWN AS A REPRESENTATION OF WHAT EXISTS AND MUST BE VERIFIED BY THE OWNER.

DRN.	BY	DATE
CHK.	PC	04.08.23
APP'D.		
L.S.D.	15-10-62-06	W5M



FORT ENERGY CORPORATION		
CORBETT GAS PLANT		
24Vdc CONTROL SCHEMATICS		
SCALE	DRAWING NUMBER	REV
N/A	D-23212-E-07-011	3



CONTROL SCHEMATICS -- LEGEND

TS MAIN CONTROL PANEL TERMINAL
 STANDARD TERMINAL
 DISCONNECT TYPE TERMINAL
 FUSED TERMINAL
 MANUFACTURED EQUIPMENT TERMINAL
 CONTACTOR PANEL TERMINAL
 MOTOR CONTROL CENTER TERMINAL
 FIELD/SKID JUNCTION BOX TERMINAL

CP CONTACTOR PANEL TERMINAL
MTR:TAG MOTOR CONTROL CENTER TERMINAL
TB:TAG FIELD/SKID JUNCTION BOX TERMINAL

JAG SERVICE
TBL 120VAC UTILITIES
TBD 24VDC CONTROL
TBA ANALOG

JAG# FIELD/SKID J.BOX
180 V-180 INLET BLDG.
182 V-182 BLOWCASE BLDG.
650 K-650 BOOSTER COMPRESSOR BLDG.
620 K-620 COMPRESSOR BLDG.
630 K-630 COMPRESSOR BLDG.
670 K-670 COMPRESSOR BLDG.
680 K-680 COMPRESSOR BLDG.
300 C-300 AMINE BLDG.
640 K-640 REFRIGERATION BLDG.
690 K-690 REFRIGERATION BLDG.
711 T-711 SOUTH TANK FARM AREA
701 T-701 NORTH TANK FARM AREA
709 FLARE K.O. DRUM BLDG.

NO.	REVISION	PROJECT	DSN	DRN	CHK'D	APP'D	DATE
8	POST CONSTRUCTION REVISIONS	43884	BGO	SRM			06.02.14
7	2005 EXPANSION ISSUED FOR CONSTRUCTION	43884	BGO	FC	BGO	RLB	05.10.19
6	2005 EXPANSION ISSUED FOR BID	43884	BGO	FC	BGO		05.09.26
5	2005 EXPANSION ISSUED FOR APPROVAL	43884	BGO	FC	BGO		05.09.06
4	POST CONSTRUCTION REVISIONS	43733	ATB	SM	ATB		05.02.02
3	ISSUED FOR CONSTRUCTION	43733	ATB	FC	ATB	WDS	04.11.01
2	ISSUED FOR FIELD BID	43733	ATB	FC	ATB		04.10.15
1	ISSUED FOR APPROVAL	43733	ATB	FC	ATB		04.10.04
0	REDRAWN	43733	ATB	PC	ATB		04.08.23

PERMIT STAMP:

STAMP APPLIED TO REV. 7 ONLY

GENERAL NOTES:

- "POST CONSTRUCTION DRAWINGS" ARE GENERATED FROM CONSTRUCTION CHANGE INFORMATION FORWARDED TO BOWER DAMBERGER ROLSETH ENGINEERING LTD. BY THE OWNER'S FIELD SUPERVISORS AND/OR FIELD CONTRACTORS. ANY CHANGES NOT DOCUMENTED WILL NOT APPEAR ON THE DRAWINGS AND THEREFORE THE DRAWING MAY NOT BE AN ACCURATE REPRESENTATION OF THE CONSTRUCTED FACILITY.
- PRIOR TO THE COMMENCEMENT OF ANY CONSTRUCTION AND/OR EXCAVATION IT SHALL BE THE RESPONSIBILITY OF THE OWNER REPRESENTATIVE TO VERIFY THE LOCATION AND STATUS OF ANY PIPING, ELECTRICAL, EQUIPMENT OR BUILDINGS.
- ANY REVISIONS MADE TO EXISTING EQUIPMENT, PIPING OR ELECTRICAL ON A FACILITY NOT DESIGNED BY B.D.R. ENG. LTD. IS ONLY SHOWN AS A REPRESENTATION OF WHAT EXISTS AND MUST BE VERIFIED BY THE OWNER.

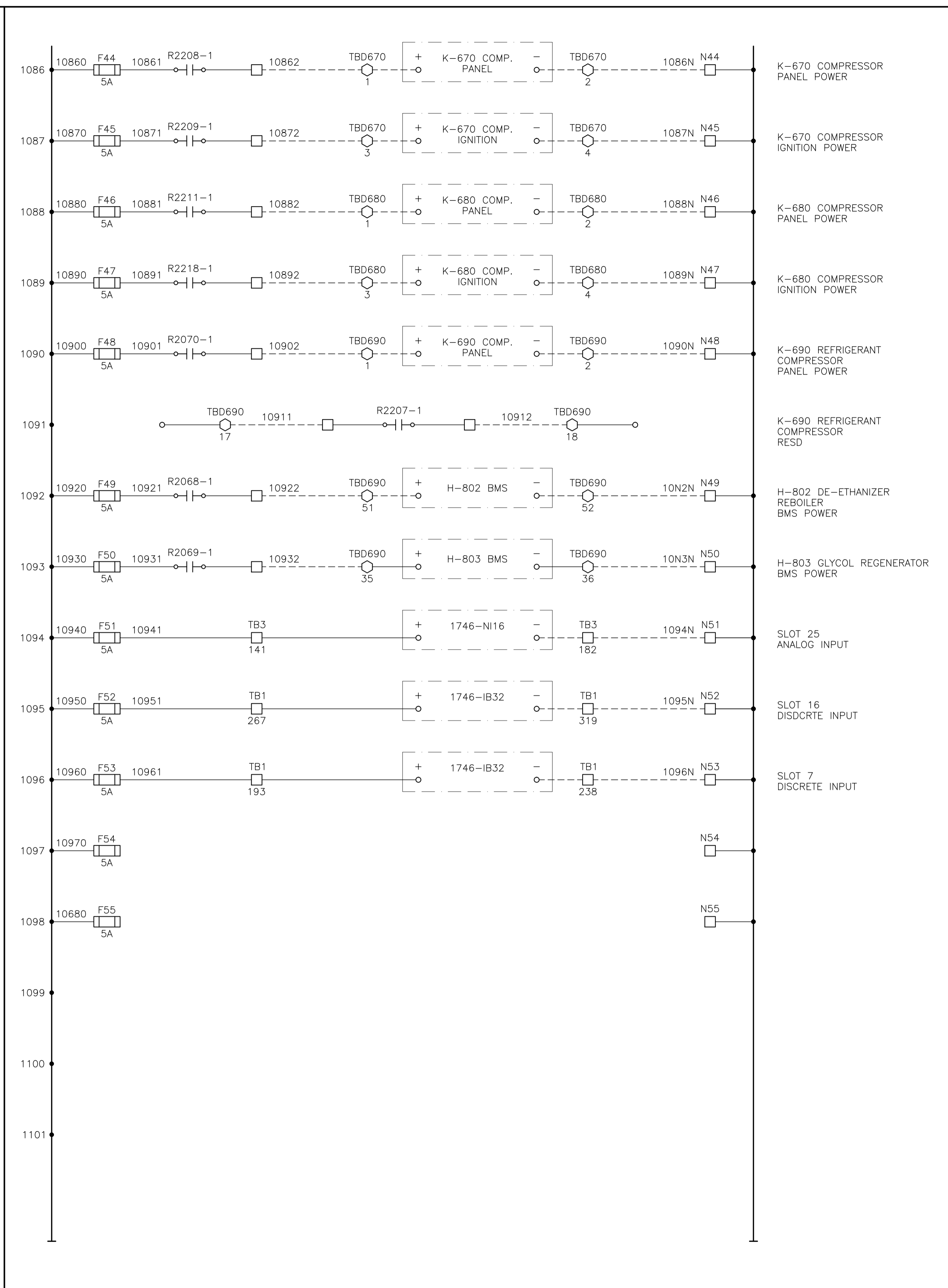
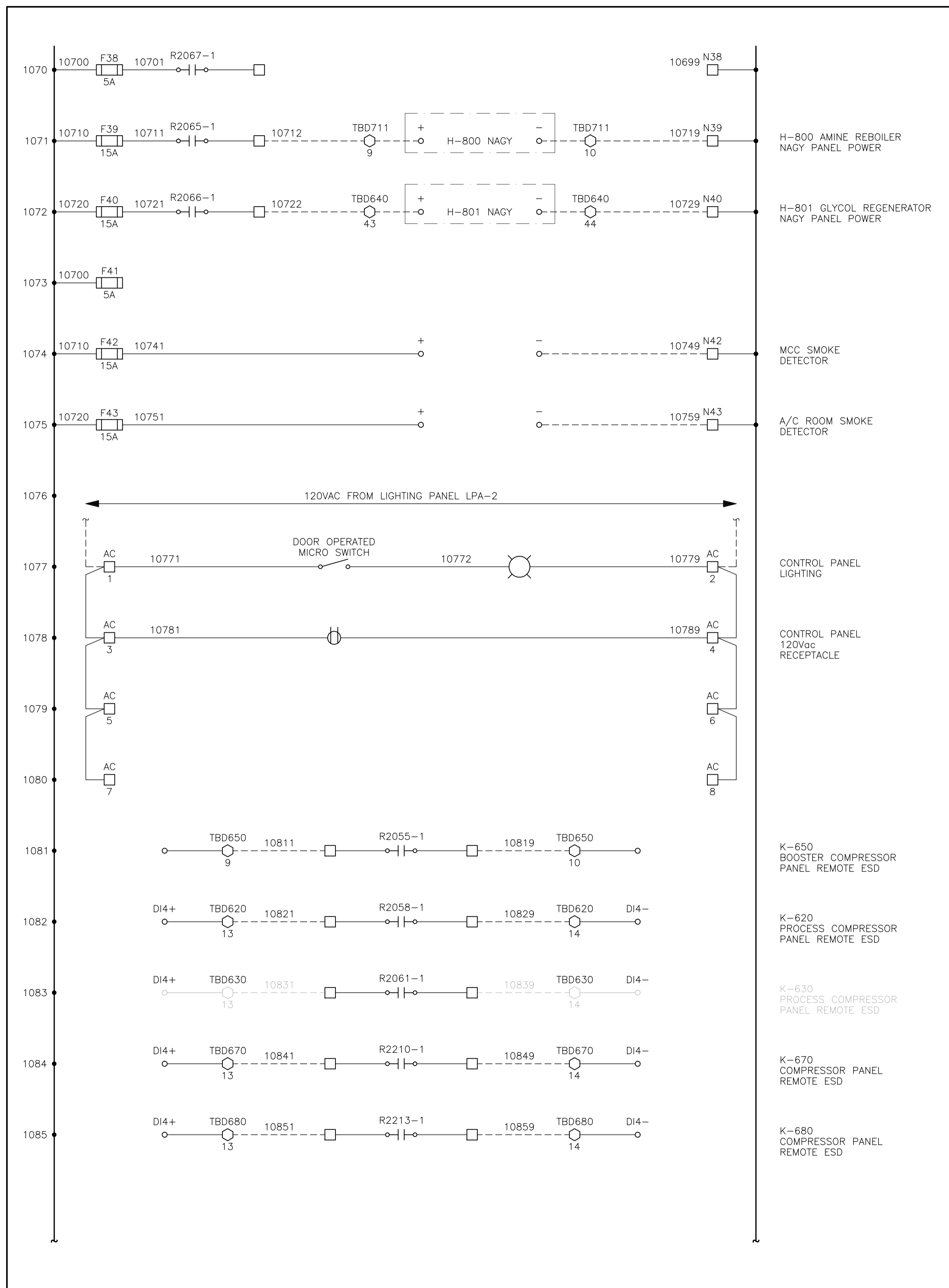
DESIGN	BY	DATE
DRAWN	ATB	04.08.23
CHK'D	BGO	05.10.19
APP'D	RLB	05.10.19
L.S.D.	15-10-62-06	W5M



FORT ENERGY CORPORATION

CORBETT GAS PLANT
24Vdc CONTROL SCHEMATICS

SCALE	DRAWING NUMBER	REV
N/A	D-23212-E-07-012	8



CONTROL SCHEMATICS -- LEGEND

TS MAIN CONTROL PANEL TERMINAL
 STANDARD TERMINAL
 DISCONNECT TYPE TERMINAL
 FUSED TERMINAL
 MANUFACTURED EQUIPMENT TERMINAL
 CONTACTOR PANEL TERMINAL
 MOTOR CONTROL CENTER TERMINAL
 FIELD/SKID JUNCTION BOX TERMINAL

CP SERVICE
MTR:TAG 120VAC UTILITIES
TB 24VDC CONTROL
TBA ANALOG

JAG# FIELD/SKID J.BOX
180 V-180 INLET BLDG.
182 K-182 BLOWCASE BLDG.
650 K-650 BOOSTER COMPRESSOR BLDG.
620 K-620 COMPRESSOR BLDG.
630 K-630 COMPRESSOR BLDG.
670 K-670 COMPRESSOR BLDG.
680 K-680 COMPRESSOR BLDG.
300 C-300 AMINE BLDG.
640 K-640 REFRIGERATION BLDG.
690 K-690 REFRIGERATION BLDG.
711 T-711 SOUTH TANK FARM AREA
701 T-701 NORTH TANK FARM AREA
709 FLARE K.O. DRUM BLDG.

NO.	REVISION	PROJECT	DSN	DRN	CHK'D	APP'D	DATE
8	POST CONSTRUCTION REVISIONS	43884	BGO	SRM			06.02.14
7	2005 EXPANSION ISSUED FOR CONSTRUCTION	43884	BGO	FC	BGO	RLB	05.10.19
6	2005 EXPANSION ISSUED FOR BID	43884	BGO	FC	BGO		05.09.26
5	2005 EXPANSION ISSUED FOR APPROVAL	43884	BGO	FC	BGO		05.09.06
4	POST CONSTRUCTION REVISIONS	43733	ATB	SM	ATB		05.02.02
3	ISSUED FOR CONSTRUCTION	43733	ATB	FC	ATB	WDS	04.11.01
2	ISSUED FOR FIELD BID	43733	ATB	FC	ATB		04.10.15
1	ISSUED FOR APPROVAL	43733	ATB	FC	ATB		04.10.04
0	REDRAWN	43733	ATB	PC	ATB		04.08.23

PERMIT STAMP:

STAMP APPLIED TO REV. 7 ONLY

GENERAL NOTES:

- "POST CONSTRUCTION DRAWINGS" ARE GENERATED FROM CONSTRUCTION CHANGE INFORMATION FORWARDED TO BOWER DAMBERGER ROLSETH ENGINEERING LTD. BY THE OWNER'S FIELD SUPERVISORS AND/OR BIDDING CONTRACTORS. ANY CHANGES NOT DOCUMENTED WILL NOT APPEAR ON THE DRAWINGS AND THEREFORE THE DRAWING MAY NOT BE AN ACCURATE REPRESENTATION OF THE CONSTRUCTED FACILITY.
- PRIOR TO THE COMMENCEMENT OF ANY CONSTRUCTION AND/OR EXCAVATION IT SHALL BE THE RESPONSIBILITY OF THE OWNER REPRESENTATIVE TO VERIFY THE LOCATION AND STATUS OF ANY PIPING, ELECTRICAL EQUIPMENT OR BUILDINGS.
- ANY REVISIONS MADE TO EXISTING EQUIPMENT, PIPING OR ELECTRICAL ON A FACILITY NOT DESIGNED BY B.D.R. ENG. LTD. IS ONLY SHOWN AS A REPRESENTATION OF WHAT EXISTS AND MUST BE VERIFIED BY THE OWNER.

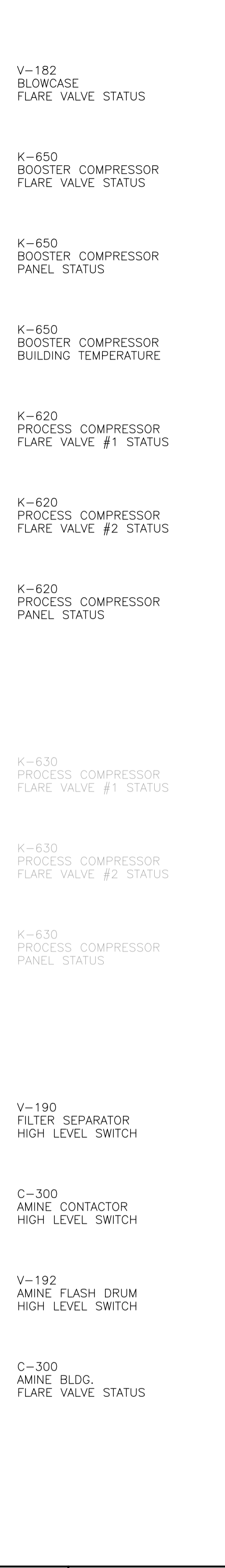
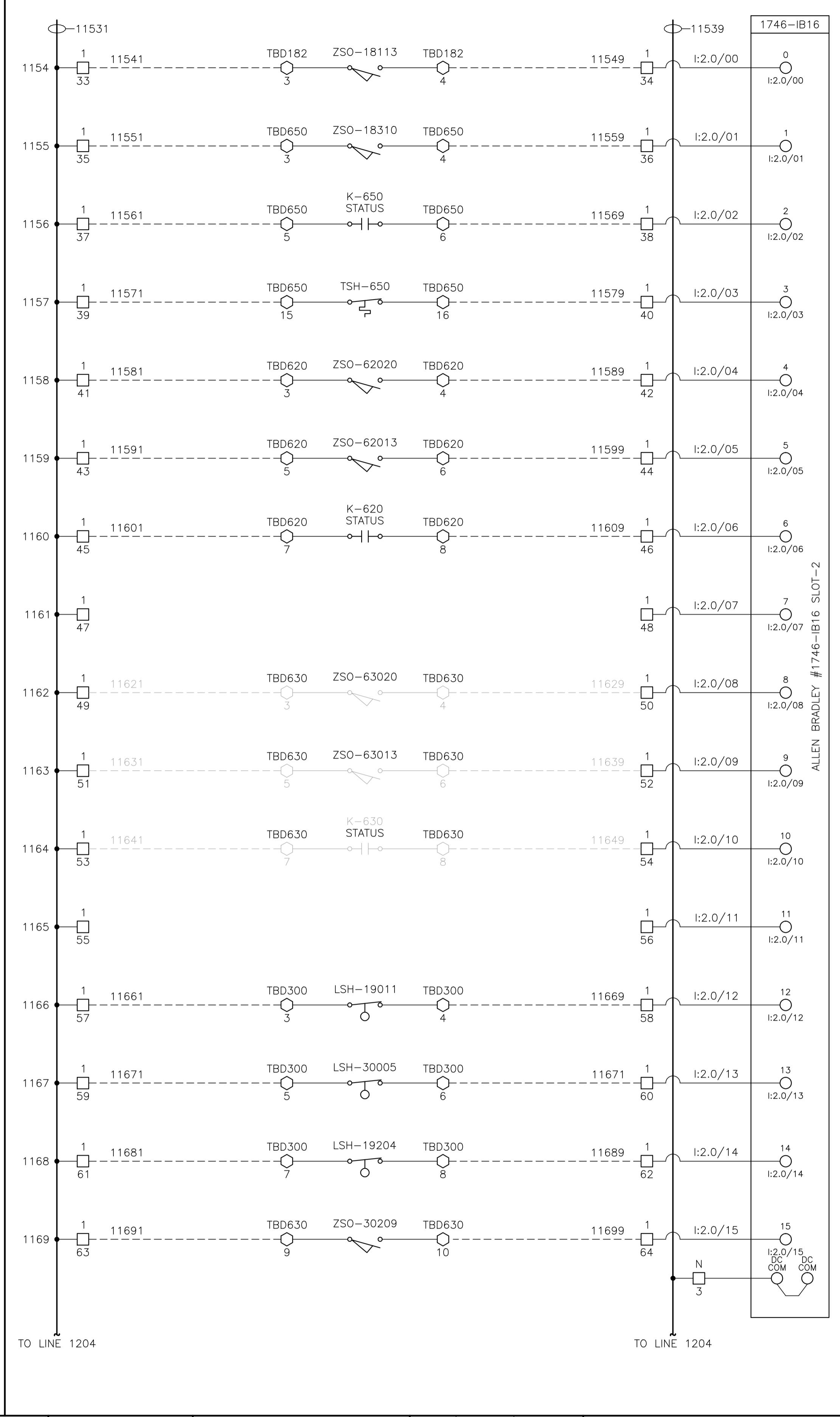
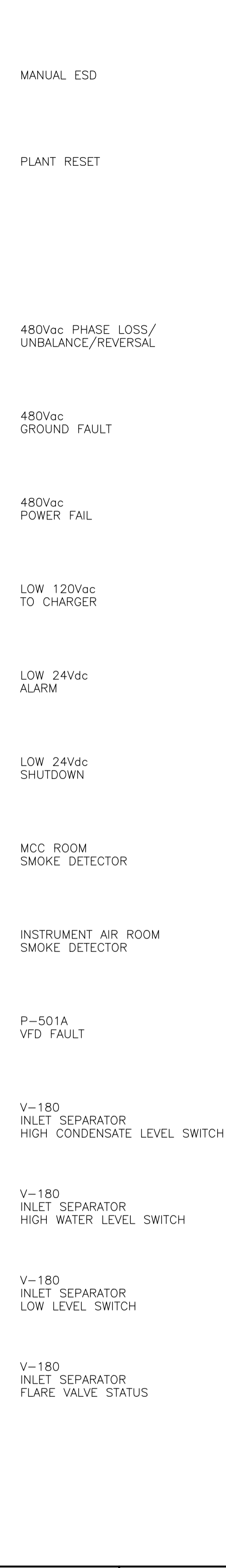
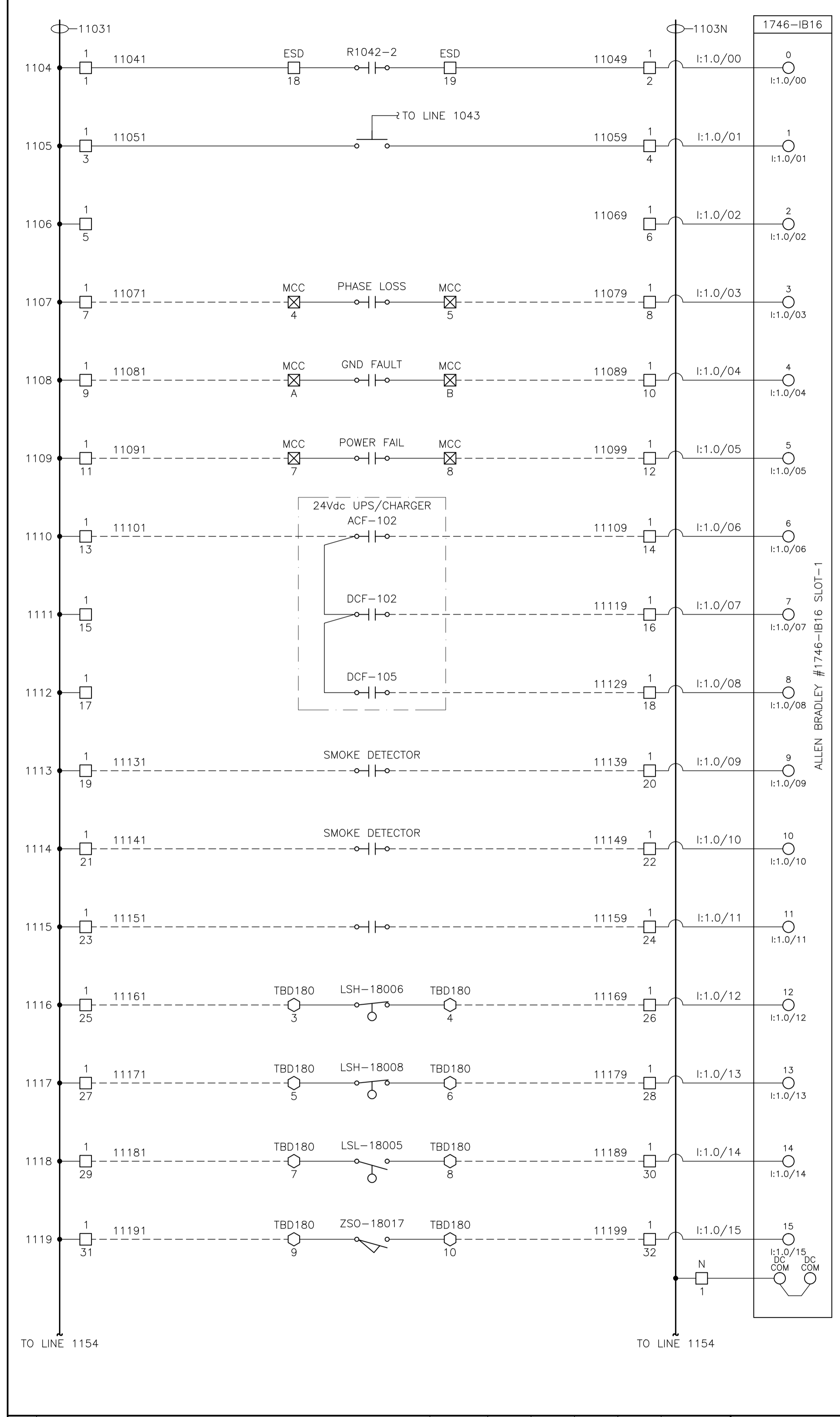
DESIGN	BY	DATE
DRAWN	ATB	04.08.23
CHK'D	PC	04.08.23
APP'D	BGO	05.10.19
L.S.D.	RLB	05.10.19
	W5M	15-10-62-06



FORT ENERGY CORPORATION

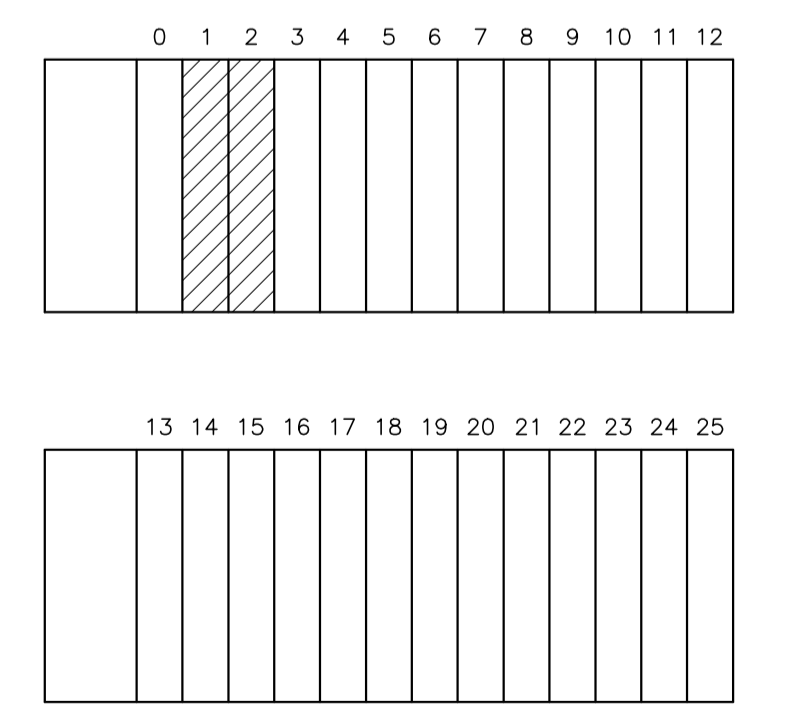
CORBETT GAS PLANT
24Vdc CONTROL SCHEMATICS

SCALE	DRAWING NUMBER	REV
N/A	D-23212-E-07-013	8



CONTROL SCHEMATICS -- LEGEND

TS	MAIN CONTROL PANEL TERMINAL
□	STANDARD TERMINAL
□	DISCONNECT TYPE TERMINAL
□	FUSED TERMINAL
○	MANUFACTURED EQUIPMENT TERMINAL
CP	CONTACTOR PANEL TERMINAL
MTR:TAG	MOTOR CONTROL CENTER TERMINAL
TB:TAG	FIELD/SKID JUNCTION BOX TERMINAL
○	SERVICE
TAG	TBL 120VAC UTILITIES
TBD	TBD 24VDC CONTROL
TBA	TBA ANALOG
TAG#	FIELD/SKID J.BOX
180	V-180 INLET BLDG.
182	V-182 BLOWCASE BLDG.
650	K-650 BOOSTER COMPRESSOR BLDG.
620	K-620 COMPRESSOR BLDG.
630	K-630 COMPRESSOR BLDG.
670	K-670 COMPRESSOR BLDG.
680	K-680 COMPRESSOR BLDG.
300	C-300 AMINE BLDG.
640	K-640 REFRIGERATION BLDG.
690	K-690 REFRIGERATION BLDG.
711	T-711 SOUTH TANK FARM AREA
701	T-701 NORTH TANK FARM AREA
709	FLARE K.O. DRUM BLDG.



NO.	REVISION	PROJECT	DSN	DRN	CHK'D	APP'D	DATE
8	POST CONSTRUCTION REVISIONS	43884	BGO	SRM			06.02.14
7	2005 EXPANSION ISSUED FOR CONSTRUCTION	43884	BGO	FC	BGO	RLB	05.10.19
6	2005 EXPANSION ISSUED FOR BID	43884	BGO	FC	BGO		05.09.26
5	2005 EXPANSION ISSUED FOR APPROVAL	43884	BGO	FC	BGO		05.09.26
4	POST CONSTRUCTION REVISIONS	43733	ATB	SM	ATB		05.02.02
3	ISSUED FOR CONSTRUCTION	43733	ATB	FC	ATB	WDS	04.11.01
2	ISSUED FOR FIELD BID	43733	ATB	FC	ATB		04.10.15
1	ISSUED FOR APPROVAL	43733	ATB	FC	ATB		04.10.04
0	REDRAWN	43733	ATB	PC	ATB		04.08.23

PERMIT STAMP:

STAMP APPLIED TO REV. 7 ONLY

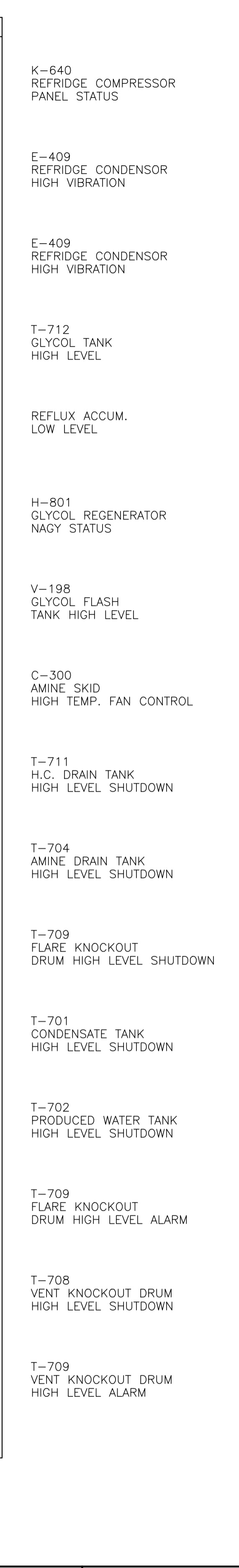
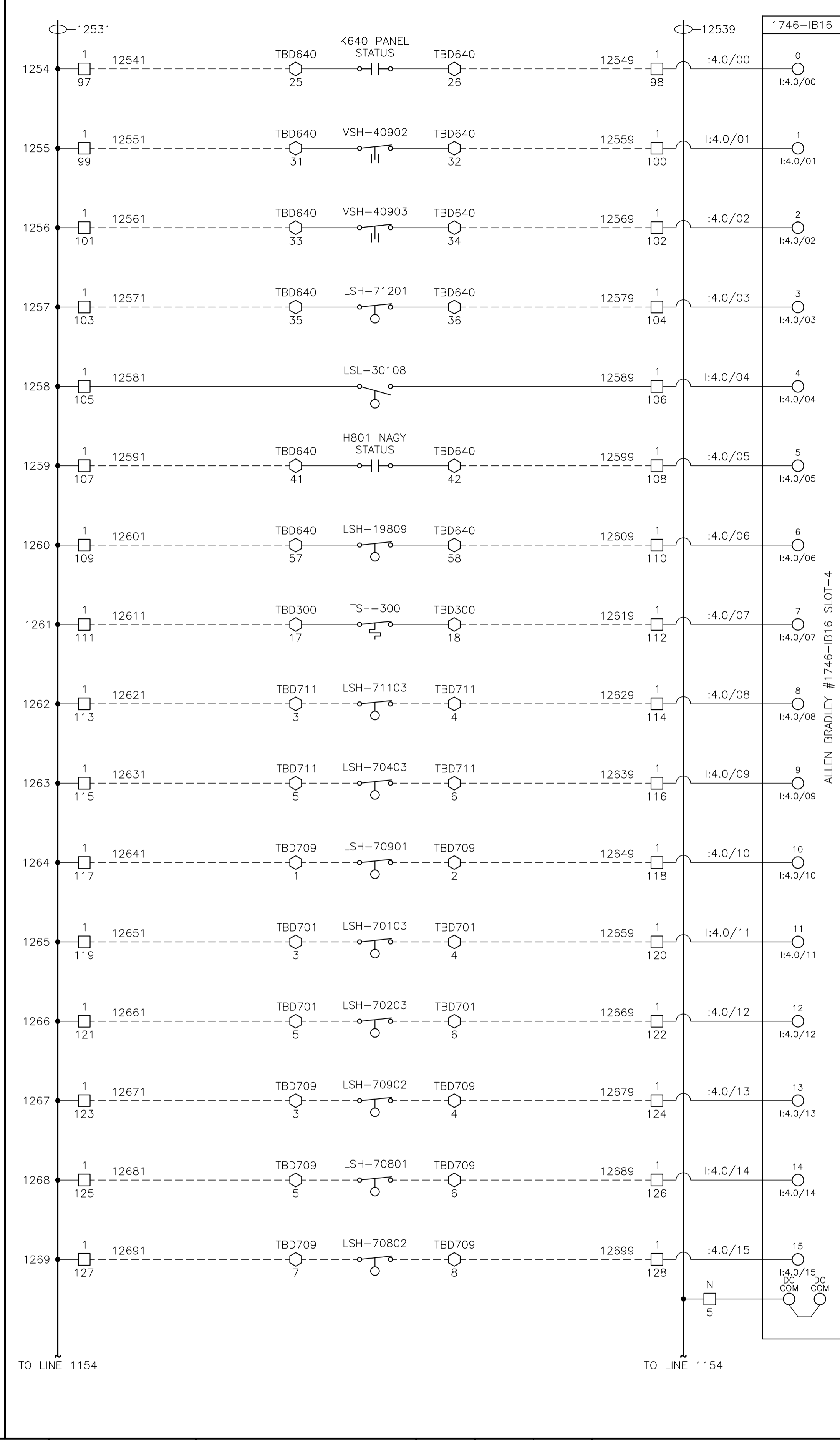
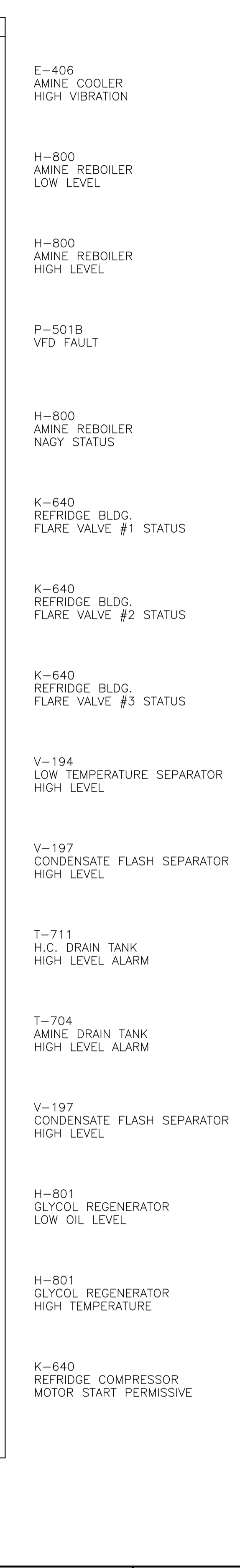
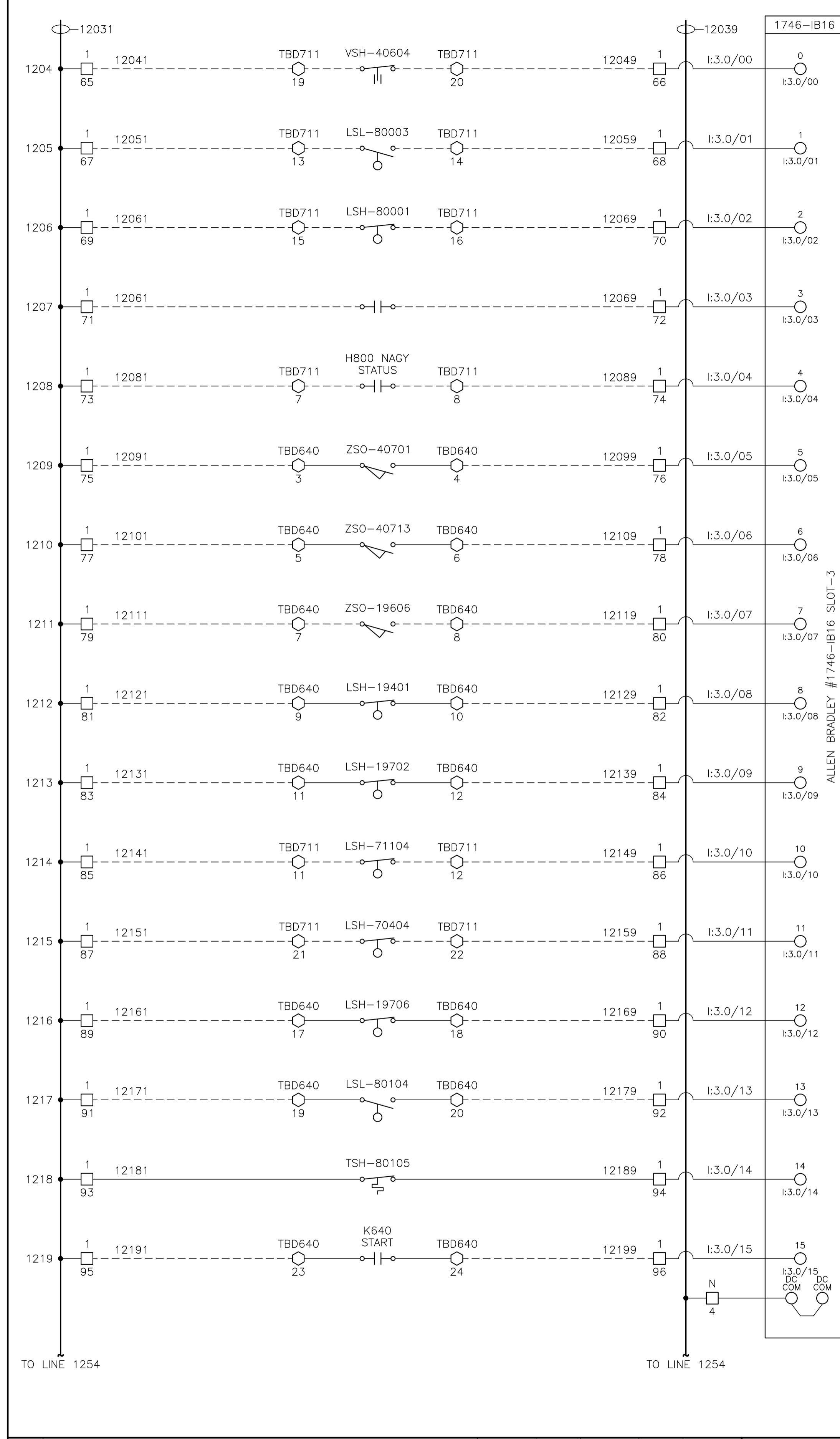
GENERAL NOTES:

- "POST CONSTRUCTION DRAWINGS" ARE GENERATED FROM CONSTRUCTION CHANGE INFORMATION FORWARDED TO BOWER DAMBERGER ROLSETH ENGINEERING LTD. BY THE OWNER'S FIELD SUPERVISORS AND/OR MISC. CONTRACTORS. ANY CHANGES NOT DOCUMENTED WILL NOT APPEAR ON THE DRAWINGS AND THEREFORE THE DRAWING MAY NOT BE AN ACCURATE REPRESENTATION OF THE CONSTRUCTED FACILITY.
- PRIOR TO THE COMMENCEMENT OF ANY CONSTRUCTION AND/OR EXCAVATION IT SHALL BE THE RESPONSIBILITY OF THE OWNER REPRESENTATIVE TO VERIFY THE LOCATION AND STATUS OF ANY PIPING, ELECTRICAL, EQUIPMENT OR BUILDINGS.
- ANY REVISIONS MADE TO EXISTING EQUIPMENT, PIPING OR ELECTRICAL ON A FACILITY NOT DESIGNED BY B.D.R. ENG. LTD. IS ONLY SHOWN AS A REPRESENTATION OF WHAT EXISTS AND MUST BE VERIFIED BY THE OWNER.

DESIGN	BY	DATE
DRAWN	ATB	04.08.23
CHK'D	PC	04.08.23
APP'D	BGO	05.10.19
L.S.D.	RLB	05.10.19
		15-10-62-06 WSM



FORT ENERGY CORPORATION		
CORBETT GAS PLANT 24Vdc CONTROL SCHEMATICS		
SCALE	DRAWING NUMBER	REV
N/A	D-23212-E-07-014	8

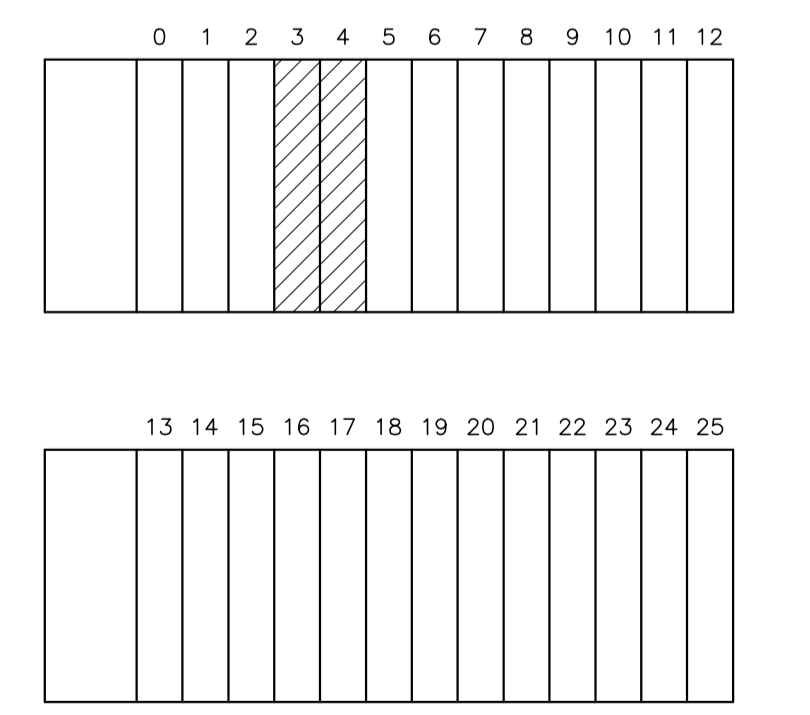


CONTROL SCHEMATICS -- LEGEND

TS	MAIN CONTROL PANEL TERMINAL
□	STANDARD TERMINAL
⊠	DISCONNECT TYPE TERMINAL
⊞	FUSED TERMINAL
○	MANUFACTURED EQUIPMENT TERMINAL
⊗	CONTACTOR PANEL TERMINAL
⊠	MOTOR CONTROL CENTER TERMINAL
⊞	FIELD/SKID JUNCTION BOX TERMINAL

TAG	SERVICE
TBL	120VAC UTILITIES
TBD	24VDC CONTROL
TBA	ANALOG

TAG#	FIELD/SKID J.BOX
180	V-180 INLET BLDG.
182	V-182 BLOWCASE BLDG.
650	K-650 BOOSTER COMPRESSOR BLDG.
620	K-620 COMPRESSOR BLDG.
630	K-630 COMPRESSOR BLDG.
670	K-670 COMPRESSOR BLDG.
680	K-680 COMPRESSOR BLDG.
300	C-300 AMINE BLDG.
640	K-640 REFRIGERATION BLDG.
690	K-690 REFRIGERATION BLDG.
711	T-711 SOUTH TANK FARM AREA
701	T-701 NORTH TANK FARM AREA
709	FLARE K.O. DRUM BLDG.



NO.	REVISION	PROJ. No.	BY	DATE	CHK.	DATE
4	POST CONSTRUCTION REVISIONS	43733	SM	05.02.02	ATB	05.02.02
3	ISSUED FOR CONSTRUCTION	43733	FC	04.10.28	ATB	04.11.01
2	ISSUED FOR FIELD BID	43733	FC	04.10.15	ATB	04.10.15
1	ISSUED FOR APPROVAL	43733	FC	04.09.29	ATB	04.10.04
0	REDRAWN	43733	PC	04.08.23	ATB	04.08.23

PERMIT STAMP:	STAMP APPLIED TO REV. 3 ONLY
---------------	------------------------------

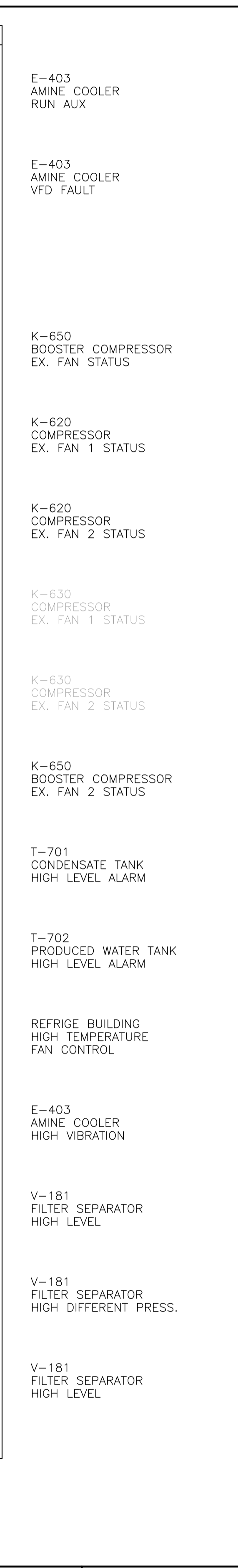
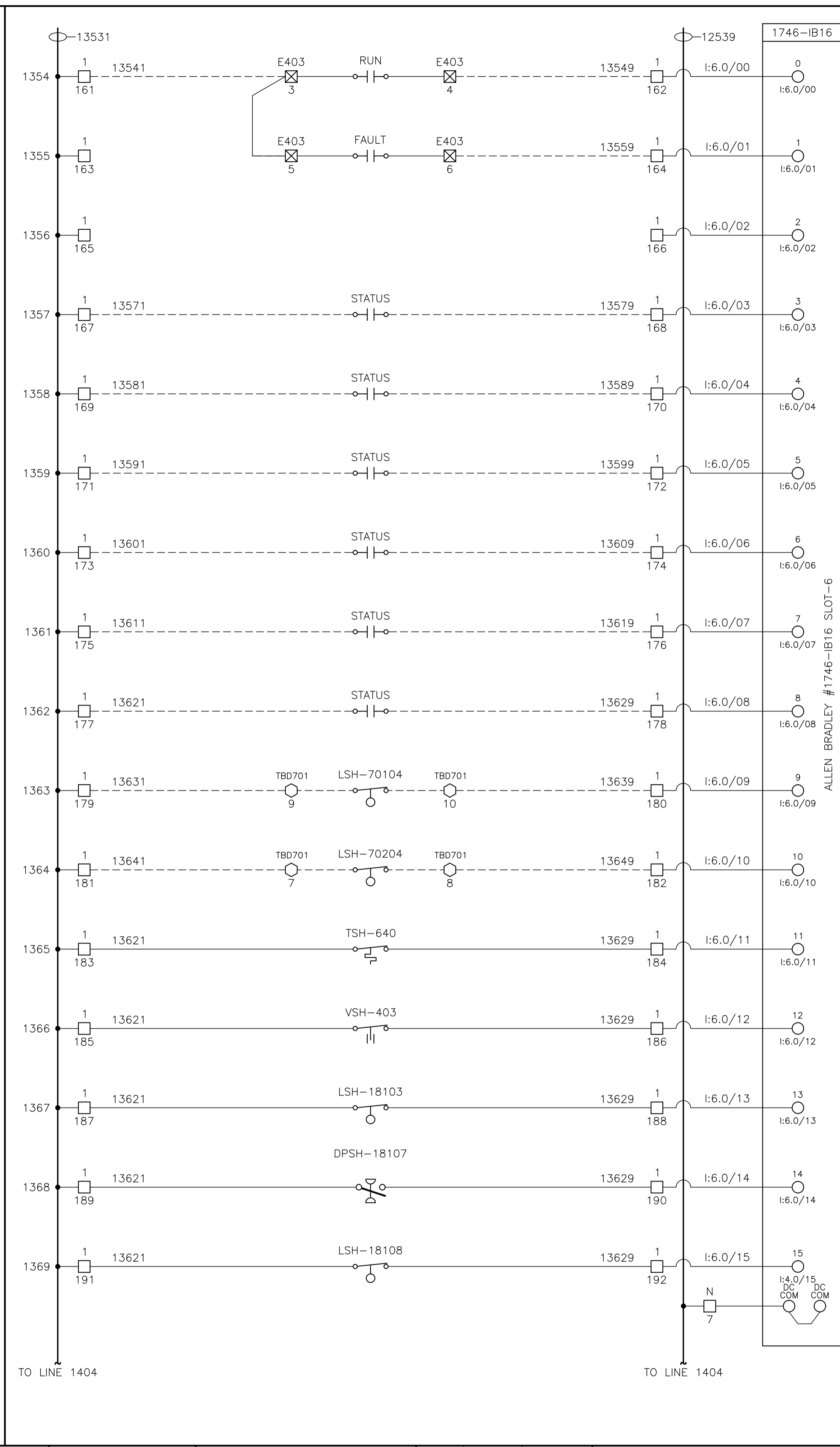
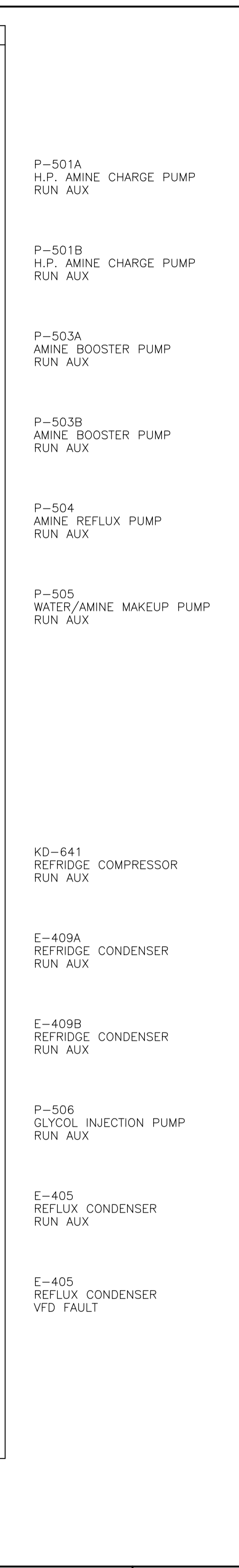
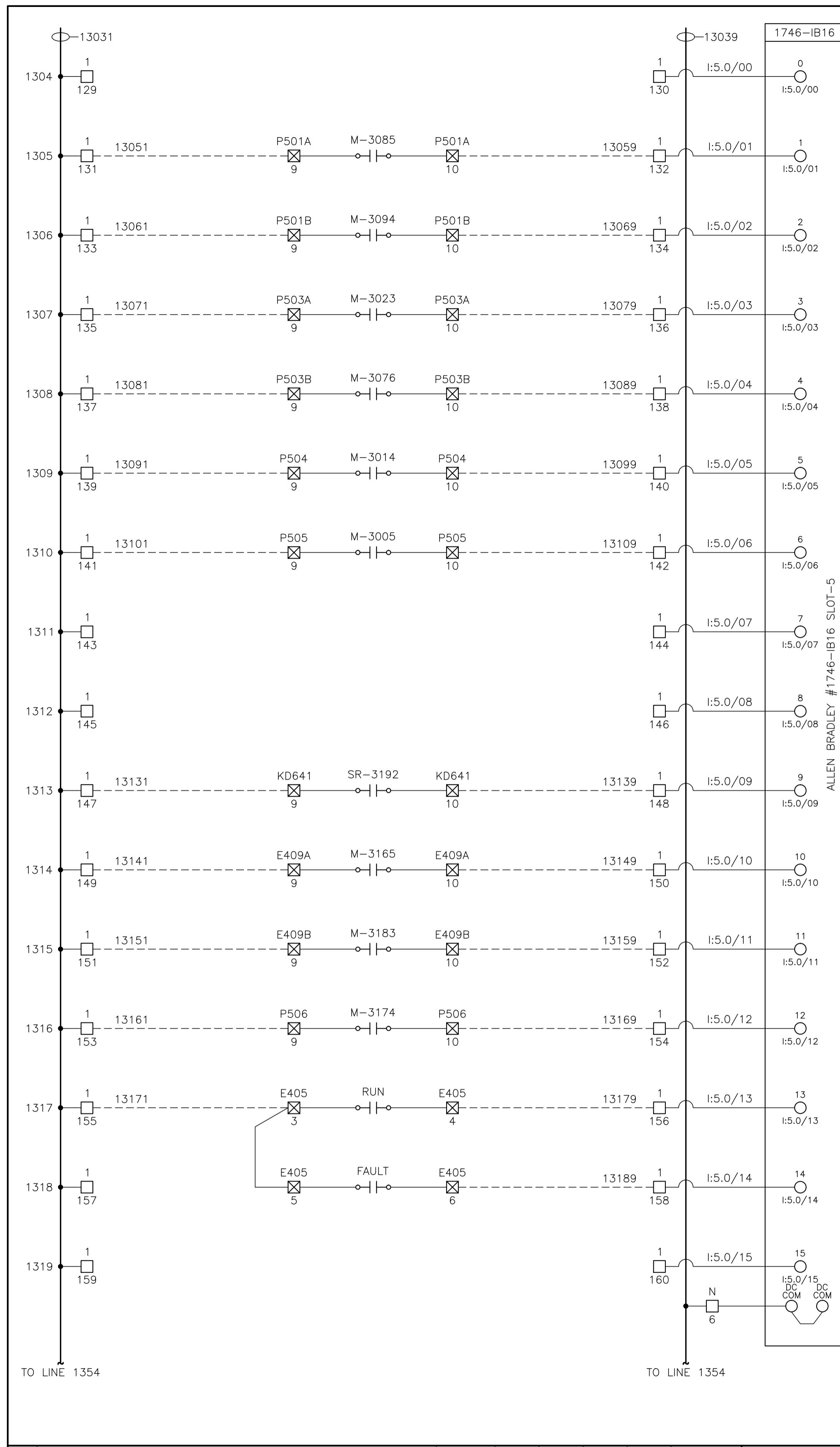
GENERAL NOTES:

- "POST CONSTRUCTION DRAWINGS" ARE GENERATED FROM CONSTRUCTION CHANGE INFORMATION FORWARDED TO BOWER DAMBERGER ROLSETH ENGINEERING LTD. BY THE OWNER'S FIELD SUPERVISORS AND/OR FIELD CONTRACTORS. ANY CHANGES NOT DOCUMENTED WILL NOT APPEAR ON THE DRAWINGS AND THEREFORE THE DRAWING MAY NOT BE AN ACCURATE REPRESENTATION OF THE CONSTRUCTED FACILITY.
- PRIOR TO THE COMMENCEMENT OF ANY CONSTRUCTION AND/OR EXCAVATION IT SHALL BE THE RESPONSIBILITY OF THE OWNERS REPRESENTATIVE TO VERIFY THE LOCATION AND STATUS OF ANY PIPING, ELECTRICAL, EQUIPMENT OR BUILDINGS.
- ANY REVISIONS MADE TO EXISTING EQUIPMENT, PIPING OR ELECTRICAL ON A FACILITY NOT DESIGNED BY B.D.R. ENG. LTD. IS ONLY SHOWN AS A REPRESENTATION OF WHAT EXISTS AND MUST BE VERIFIED BY THE OWNER.

DRN.	PC	DATE	04.08.23
CHK.			
APP'D.			
L.S.D.	15-10-62-06 WSM		



FORT ENERGY CORPORATION		
CORBETT GAS PLANT		
24Vdc CONTROL SCHEMATICS		
SCALE	DRAWING NUMBER	REV
N/A	D-23212-E-07-015	4



CONTROL SCHEMATICS -- LEGEND

TS □ MAIN CONTROL PANEL TERMINAL
 □ STANDARD TERMINAL
 ⊠ DISCONNECT TYPE TERMINAL
 ⊞ FUSED TERMINAL
 ○ MANUFACTURED EQUIPMENT TERMINAL
 ⊙ CONTACTOR PANEL TERMINAL
 ⊗ MOTOR CONTROL CENTER TERMINAL
 ⊕ FIELD/SKID JUNCTION BOX TERMINAL

TAG SERVICE
 TBL 120VAC UTILITIES
 TBD 24VDC CONTROL
 TBA ANALOG

TAG# FIELD/SKID J.BOX
 180 V-180 INLET BLDG.
 182 V-182 BLOWCASE BLDG.
 650 K-650 BOOSTER COMPRESSOR BLDG.
 620 K-620 COMPRESSOR BLDG.
 630 K-630 COMPRESSOR BLDG.
 670 K-670 COMPRESSOR BLDG.
 680 K-680 COMPRESSOR BLDG.
 300 C-300 AMINE BLDG.
 640 K-640 REFRIGERATION BLDG.
 690 K-690 REFRIGERATION BLDG.
 711 T-711 SOUTH TANK FARM AREA
 701 T-701 NORTH TANK FARM AREA
 709 FLARE K.O. DRUM BLDG.

0 1 2 3 4 5 6 7 8 9 10 11 12

13 14 15 16 17 18 19 20 21 22 23 24 25

NO.	REVISION	PROJECT	DSN	DRN	CHK'D	APP'D	DATE
7	POST CONSTRUCTION REVISIONS	43884	BGO	SRM			06.02.14
6	2005 EXPANSION ISSUED FOR CONSTRUCTION	43884	BGO	FC	BGO	RLB	05.10.19
5	2005 EXPANSION ISSUED FOR BID	43884	BGO	FC	BGO		05.09.26
4	2005 EXPANSION ISSUED FOR APPROVAL	43884	BGO	FC	BGO		05.09.26
3	ISSUED FOR CONSTRUCTION	43733	ATB	FC	ATB	WDS	04.11.01
2	ISSUED FOR FIELD BID	43733	ATB	FC	ATB		04.10.15
1	ISSUED FOR APPROVAL	43733	ATB	FC	ATB		04.10.04
0	REDRAWN	43733	ATB	PC	ATB		04.08.23

PERMIT STAMP:	STAMP APPLIED TO REV. 6 ONLY
----------------------	------------------------------

GENERAL NOTES:

- "POST CONSTRUCTION DRAWINGS" ARE GENERATED FROM CONSTRUCTION CHANGE INFORMATION FORWARDED TO BOWER DAMBERGER ROLSETH ENGINEERING LTD. BY THE OWNER'S FIELD SUPERVISORS AND/OR BIDDING CONTRACTORS. ANY CHANGES NOT DOCUMENTED WILL NOT APPEAR ON THE DRAWINGS AND THEREFORE THE DRAWING MAY NOT BE AN ACCURATE REPRESENTATION OF THE CONSTRUCTED FACILITY.
- PRIOR TO THE COMMENCEMENT OF ANY CONSTRUCTION AND/OR EXCAVATION IT SHALL BE THE RESPONSIBILITY OF THE OWNER REPRESENTATIVE TO VERIFY THE LOCATION AND STATUS OF ANY PIPING, ELECTRICAL, EQUIPMENT OR BUILDINGS.
- ANY REVISIONS MADE TO EXISTING EQUIPMENT, PIPING OR ELECTRICAL ON A FACILITY NOT DESIGNED BY B.D.R. ENG. LTD. IS ONLY SHOWN AS A REPRESENTATION OF WHAT EXISTS AND MUST BE VERIFIED BY THE OWNER.

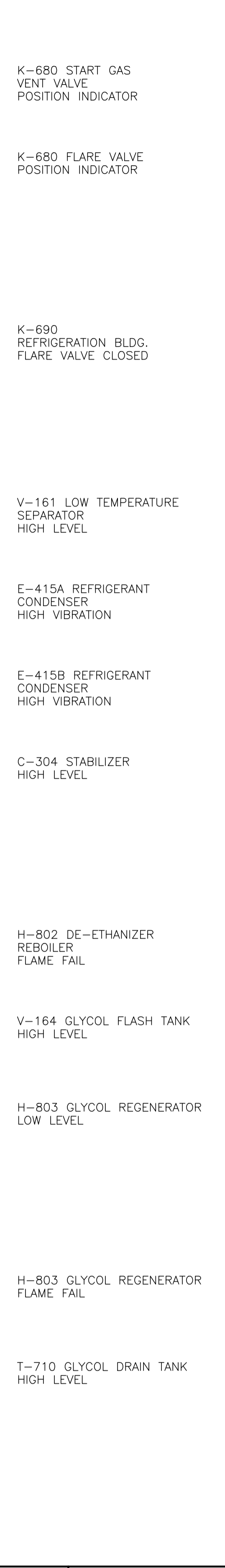
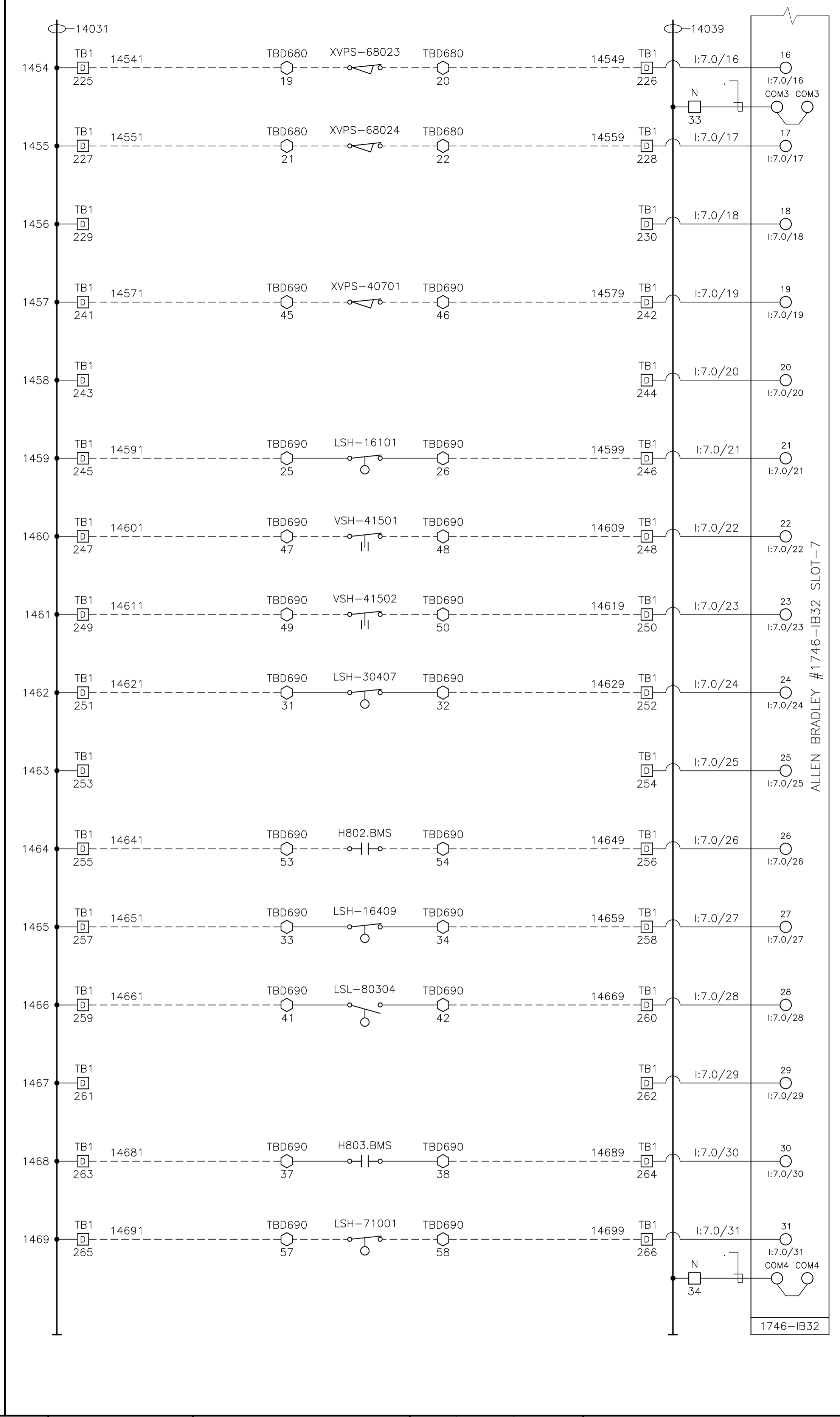
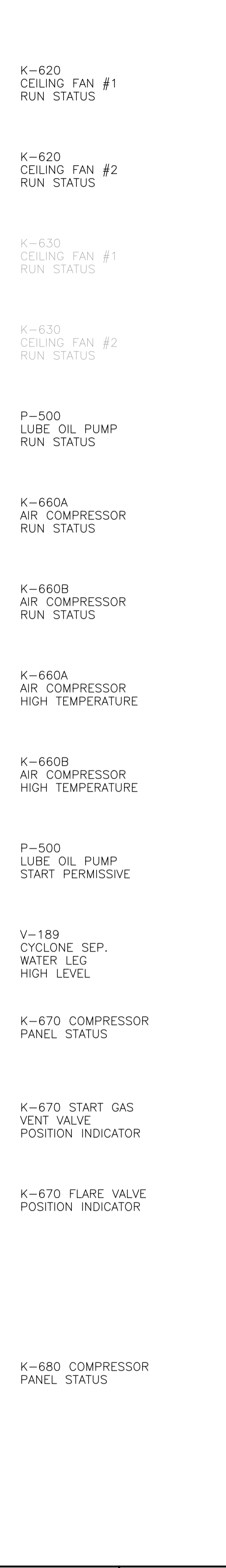
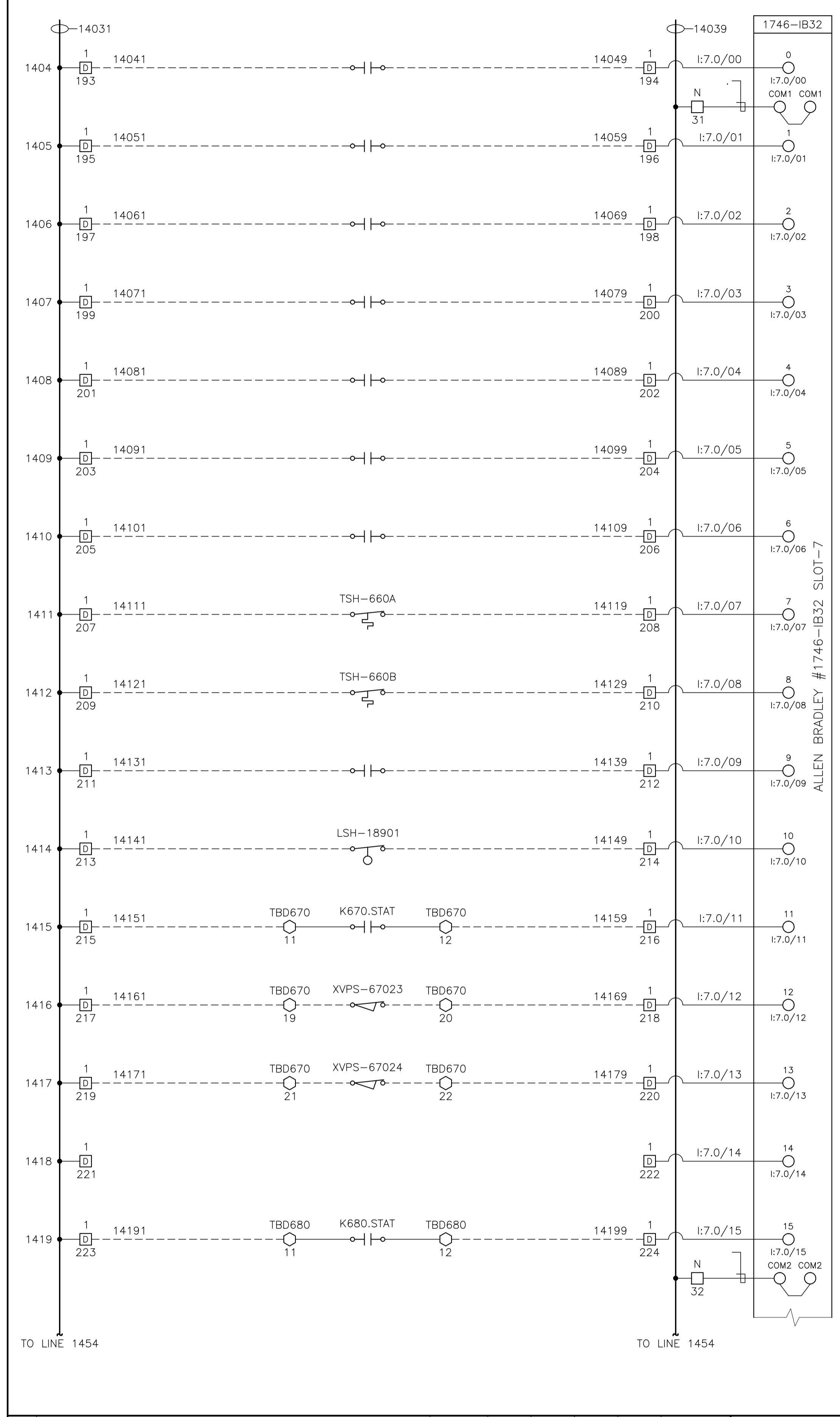
DESIGN	BY	DATE
ATB	ATB	04.08.23
PC	PC	04.08.23
BGO	BGO	05.10.19
RLB	RLB	05.10.19
L.S.D.	15-10-62-06	W5M



FORT ENERGY CORPORATION

CORBETT GAS PLANT
24Vdc CONTROL SCHEMATICS

SCALE	DRAWING NUMBER	REV
N/A	D-23212-E-07-016	7



NO.	REVISION	PROJECT	DSN	DRN	CHK'D	APP'D	DATE
8	POST CONSTRUCTION REVISIONS	43884	BGO	SRM			06.02.14
7	2005 EXPANSION ISSUED FOR CONSTRUCTION	43884	BGO	FC	BGO	RLB	05.10.19
6	2005 EXPANSION ISSUED FOR BID	43884	BGO	FC	BGO		05.09.26
5	2005 EXPANSION ISSUED FOR APPROVAL	43884	BGO	FC	BGO		05.09.06
4	POST CONSTRUCTION REVISIONS	43733	ATB	SM	ATB		05.02.02
3	ISSUED FOR CONSTRUCTION	43733	ATB	FC	ATB	WDS	04.11.01
2	ISSUED FOR FIELD BID	43733	ATB	FC	ATB		04.10.15
1	ISSUED FOR APPROVAL	43733	ATB	FC	ATB		04.10.04
0	REDRAWN	43733	ATB	PC	ATB		04.08.23

PERMIT STAMP:	STAMP APPLIED TO REV. 7 ONLY

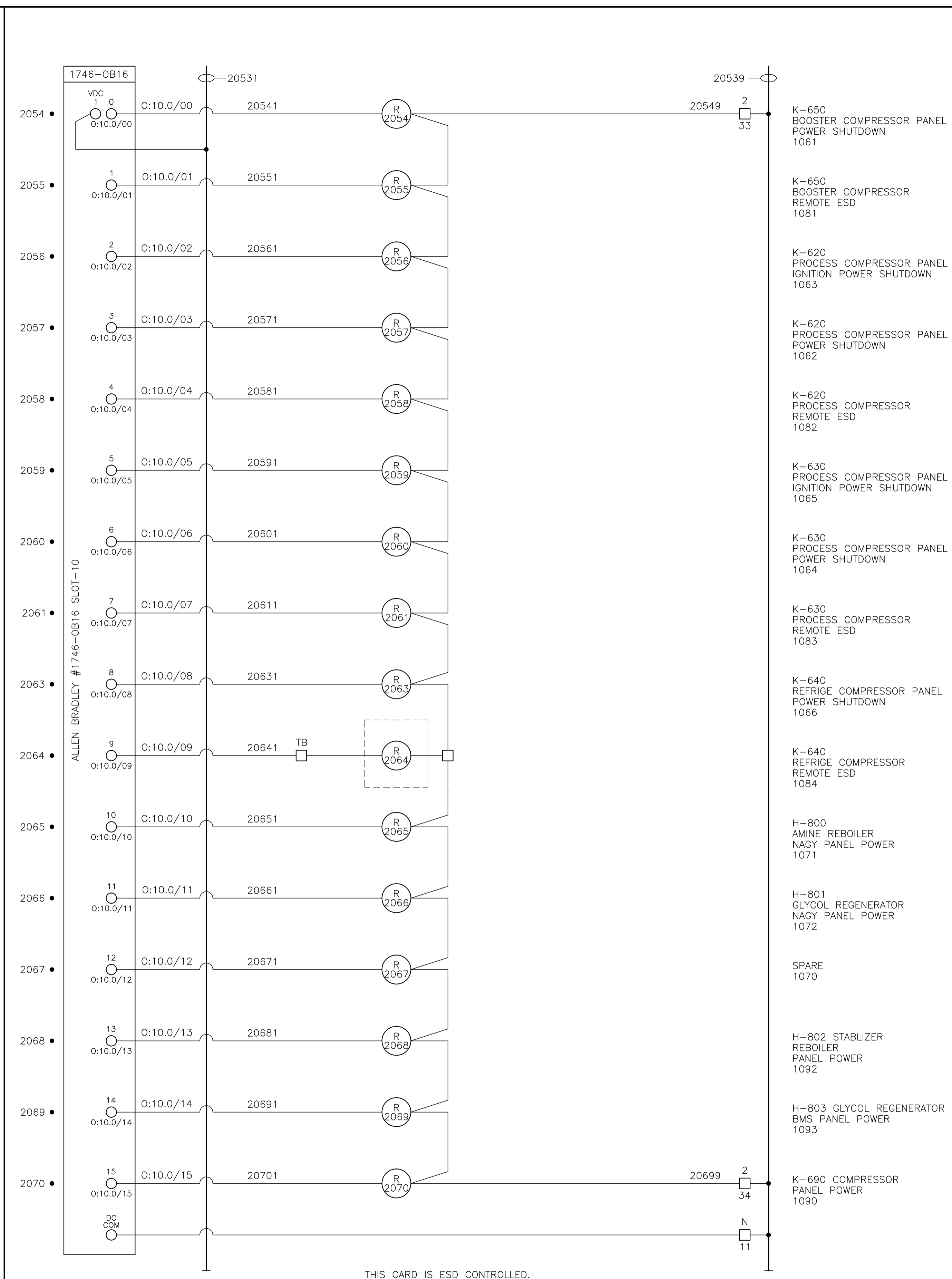
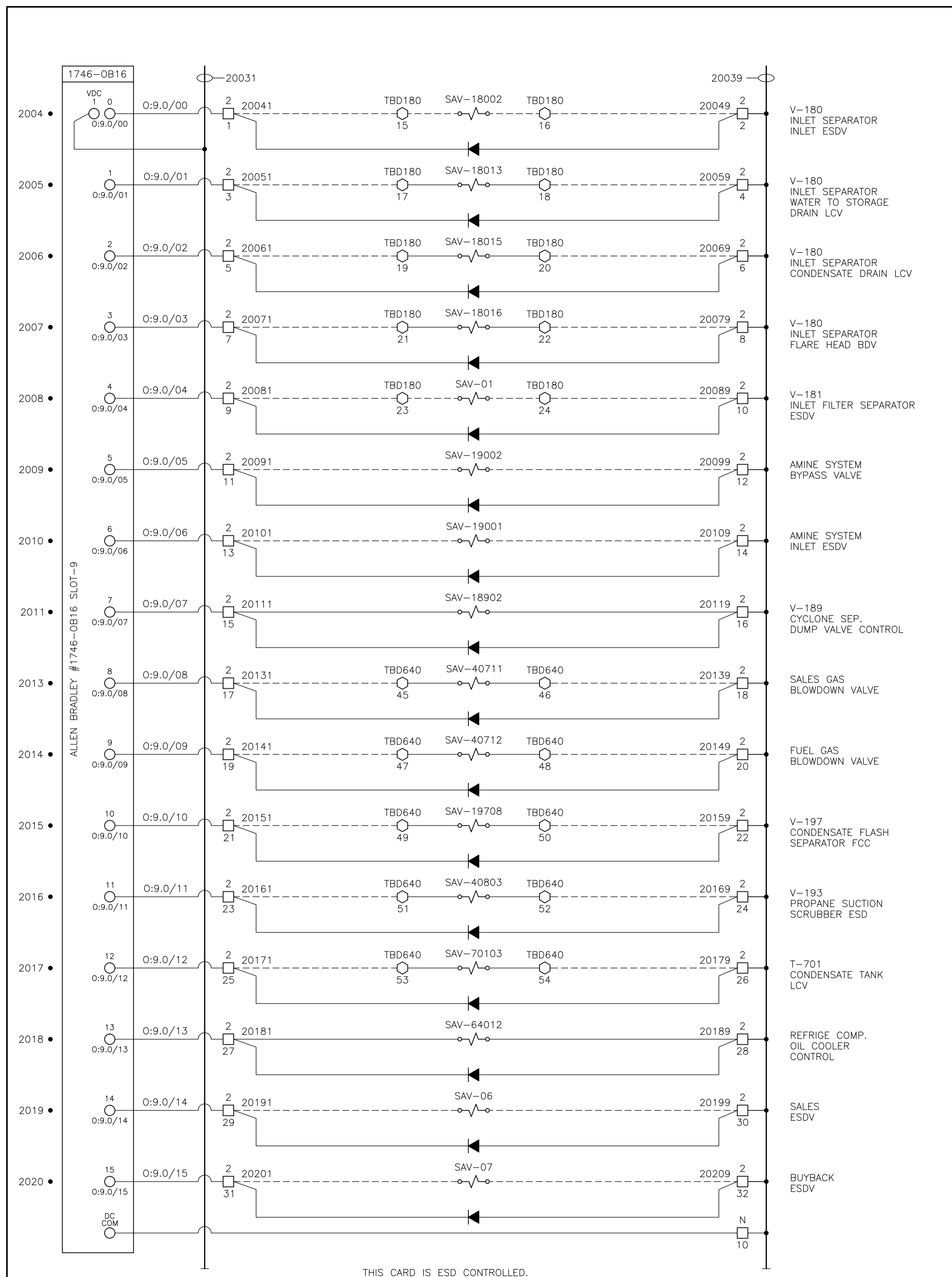
GENERAL NOTES:

- "POST CONSTRUCTION DRAWINGS" ARE GENERATED FROM CONSTRUCTION CHANGE INFORMATION FORWARDED TO BOWER DAMBERGER ROLSETH ENGINEERING LTD. BY THE OWNER'S FIELD SUPERVISORS AND/OR BIDDING CONTRACTORS. ANY CHANGES NOT DOCUMENTED WILL NOT APPEAR ON THE DRAWINGS AND THEREFORE THE DRAWING MAY NOT BE AN ACCURATE REPRESENTATION OF THE CONSTRUCTED FACILITY.
- PRIOR TO THE COMMENCEMENT OF ANY CONSTRUCTION AND/OR EXCAVATION IT SHALL BE THE RESPONSIBILITY OF THE OWNER REPRESENTATIVE TO VERIFY THE LOCATION AND STATUS OF ANY PIPING, ELECTRICAL, EQUIPMENT OR BUILDINGS.
- ANY REVISIONS MADE TO EXISTING EQUIPMENT, PIPING OR ELECTRICAL ON A FACILITY NOT DESIGNED BY B.D.R. ENG. LTD. IS ONLY SHOWN AS A REPRESENTATION OF WHAT EXISTS AND MUST BE VERIFIED BY THE OWNER.

DESIGN	BY	DATE
ATB	ATB	04.08.23
PC	PC	04.08.23
BGO	BGO	05.10.19
RLB	RLB	05.10.19
L.S.D.	15-10-62-06	W5M



FORT ENERGY CORPORATION		
CORBETT GAS PLANT 24Vdc CONTROL SCHEMATICS		
SCALE	DRAWING NUMBER	REV
N/A	D-23212-E-07-017	8



CONTROL SCHEMATICS -- LEGEND

TS MAIN CONTROL PANEL TERMINAL
 STANDARD TERMINAL
 DISCONNECT TYPE TERMINAL
 FUSED TERMINAL

MANUFACTURED EQUIPMENT TERMINAL
 CONTACTOR PANEL TERMINAL
 MOTOR CONTROL CENTER TERMINAL
 FIELD/SKID JUNCTION BOX TERMINAL

CP MTR TAG
 TB TAG
 TB TAG

JAG SERVICE
 TBL 120VAC UTILITIES
 TBD 24VDC CONTROL
 TBA ANALOG

JAG# FIELD/SKID J.BOX
 180 V-180 INLET BLDG.
 182 V-182 BLOWCASE BLDG.
 650 K-650 BOOSTER COMPRESSOR BLDG.
 620 K-620 COMPRESSOR BLDG.
 630 K-630 COMPRESSOR BLDG.
 670 K-670 COMPRESSOR BLDG.
 680 K-680 COMPRESSOR BLDG.
 300 C-300 AMINE BLDG.
 640 K-640 REFRIGERATION BLDG.
 690 K-690 REFRIGERATION BLDG.
 711 T-711 SOUTH TANK FARM AREA
 701 T-701 NORTH TANK FARM AREA
 709 FLARE K.O. DRUM BLDG.

0	1	2	3	4	5	6	7	8	9	10	11	12
13	14	15	16	17	18	19	20	21	22	23	24	25

NO.	REVISION	PROJECT	DSN	DRN	CHK'D	APP'D	DATE
8	POST CONSTRUCTION REVISIONS	43884	BGO	SRM			06.02.14
7	2005 EXPANSION ISSUED FOR CONSTRUCTION	43884	BGO	FC	BGO	RLB	05.10.19
6	2005 EXPANSION ISSUED FOR BID	43884	BGO	FC	BGO		05.09.26
5	2005 EXPANSION ISSUED FOR APPROVAL	43884	BGO	FC	BGO		05.09.06
4	POST CONSTRUCTION REVISIONS	43733	ATB	SM	ATB		05.02.02
3	ISSUED FOR CONSTRUCTION	43733	ATB	FC	ATB	WDS	04.11.01
2	ISSUED FOR FIELD BID	43733	ATB	FC	ATB		04.10.15
1	ISSUED FOR APPROVAL	43733	ATB	FC	ATB		04.10.04
0	REDRAWN	43733	ATB	PC	ATB		04.08.23

PERMIT STAMP:
STAMP APPLIED TO REV. 7 ONLY

GENERAL NOTES:

- "POST CONSTRUCTION DRAWINGS" ARE GENERATED FROM CONSTRUCTION CHANGE INFORMATION FORWARDED TO BOWER DAMBERGER ROLSETH ENGINEERING LTD. BY THE OWNER'S FIELD SUPERVISORS AND/OR BIDDING CONTRACTORS. ANY CHANGES NOT DOCUMENTED WILL NOT APPEAR ON THE DRAWINGS AND THEREFORE THE DRAWING MAY NOT BE AN ACCURATE REPRESENTATION OF THE CONSTRUCTED FACILITY.
- PRIOR TO THE COMMENCEMENT OF ANY CONSTRUCTION AND/OR EXCAVATION IT SHALL BE THE RESPONSIBILITY OF THE OWNER REPRESENTATIVE TO VERIFY THE LOCATION AND STATUS OF ANY PIPING, ELECTRICAL, EQUIPMENT OR BUILDINGS.
- ANY REVISIONS MADE TO EXISTING EQUIPMENT, PIPING OR ELECTRICAL ON A FACILITY NOT DESIGNED BY B.D.R. ENG. LTD. IS ONLY SHOWN AS A REPRESENTATION OF WHAT EXISTS AND MUST BE VERIFIED BY THE OWNER.

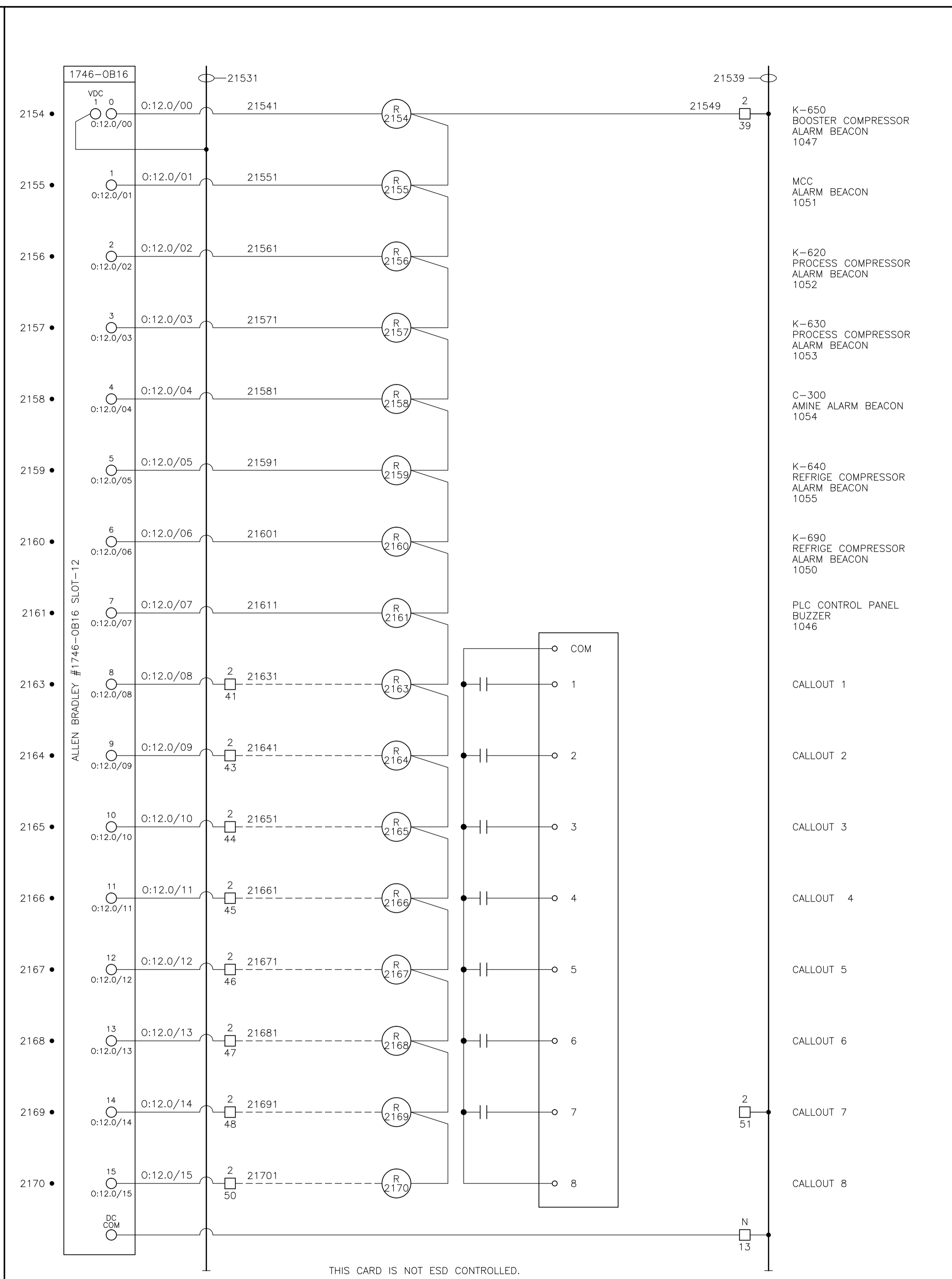
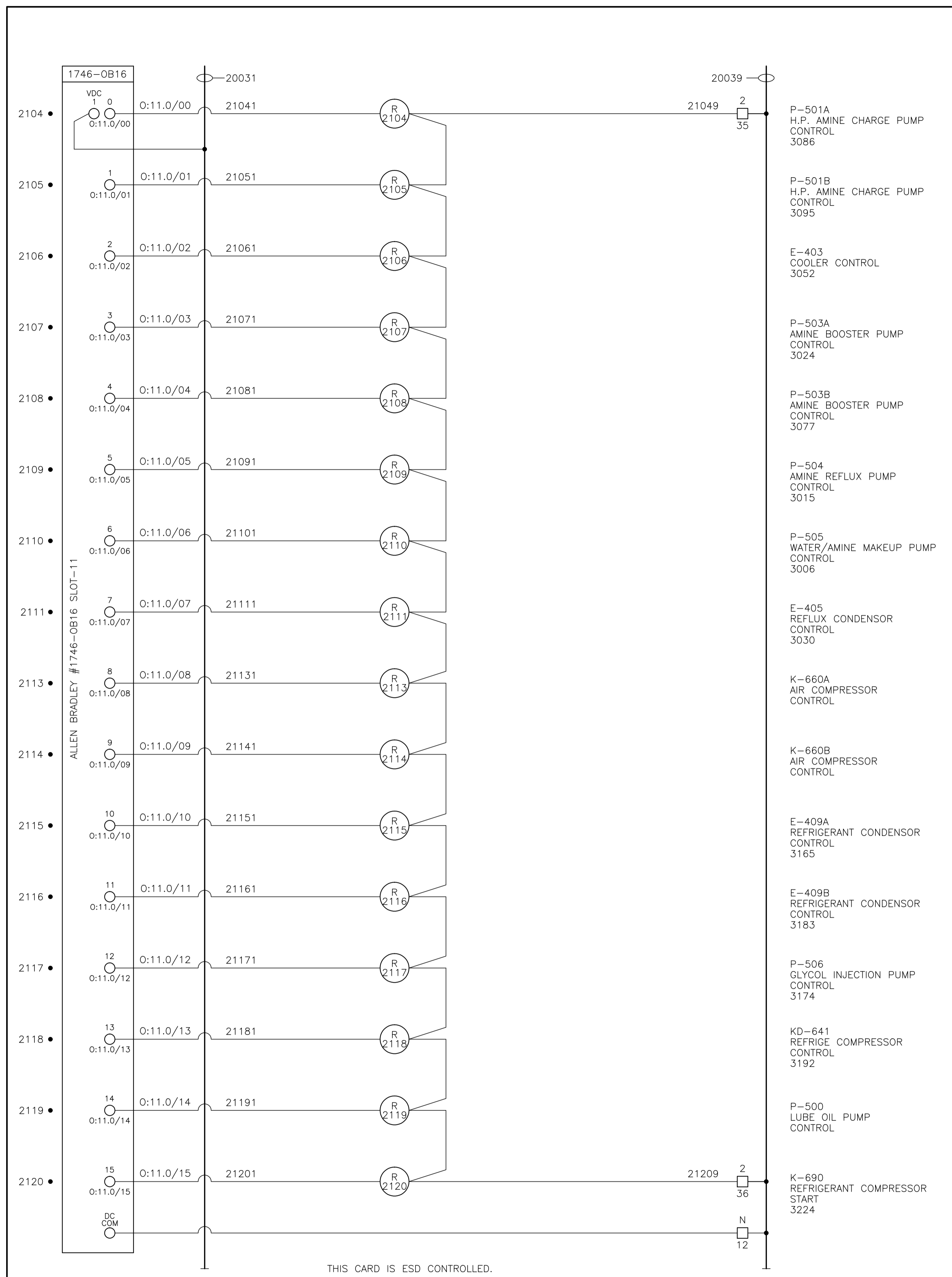
DESIGN	BY	DATE
DRAWN	ATB	04.08.23
CHK'D	PC	04.08.23
APP'D	BGO	05.10.19
L.S.D.	RLB	05.10.19
	W5M	15-10-62-06



FORT ENERGY CORPORATION

CORBETT GAS PLANT
24Vdc CONTROL SCHEMATICS

SCALE	DRAWING NUMBER	REV
N/A	D-23212-E-07-018	8



CONTROL SCHEMATICS -- LEGEND

TS MAIN CONTROL PANEL TERMINAL
 STANDARD TERMINAL
 DISCONNECT TYPE TERMINAL
 FUSED TERMINAL
 MANUFACTURED EQUIPMENT TERMINAL
 CP CONTACTOR PANEL TERMINAL
 MTR:TAG MOTOR CONTROL CENTER TERMINAL
 TB:TAG FIELD/SKID JUNCTION BOX TERMINAL

TAG	SERVICE
TBL	120VAC UTILITIES
TBD	24VDC CONTROL
TBA	ANALOG

TAG#	FIELD/SKID J.BOX
180	V-180 INLET BLDG.
182	V-182 BLOWCASE BLDG.
650	K-650 BOOSTER COMPRESSOR BLDG.
620	K-620 COMPRESSOR BLDG.
630	K-630 COMPRESSOR BLDG.
670	K-670 COMPRESSOR BLDG.
680	K-680 COMPRESSOR BLDG.
300	C-300 AMINE BLDG.
640	K-640 REFRIGERATION BLDG.
690	K-690 REFRIGERATION BLDG.
711	T-711 SOUTH TANK FARM AREA
701	T-701 NORTH TANK FARM AREA
709	FLARE K.O. DRUM BLDG.

0 1 2 3 4 5 6 7 8 9 10 11 12

13 14 15 16 17 18 19 20 21 22 23 24 25

NO.	REVISION	PROJECT	DSN	DRN	CHK'D	APP'D	DATE
8	POST CONSTRUCTION REVISIONS	43884	BGO	SRM			06.02.14
7	2005 EXPANSION ISSUED FOR CONSTRUCTION	43884	BGO	FC	BGO	RLB	05.10.19
6	2005 EXPANSION ISSUED FOR BID	43884	BGO	FC	BGO		05.09.26
5	2005 EXPANSION ISSUED FOR APPROVAL	43884	BGO	FC	BGO		05.09.06
4	POST CONSTRUCTION REVISIONS	43733	ATB	SM	ATB		05.02.02
3	ISSUED FOR CONSTRUCTION	43733	ATB	FC	ATB	WDS	04.11.01
2	ISSUED FOR FIELD BID	43733	ATB	FC	ATB		04.10.15
1	ISSUED FOR APPROVAL	43733	ATB	FC	ATB		04.10.04
0	REDRAWN	43733	ATB	PC	ATB		04.08.23

PERMIT STAMP:

STAMP APPLIED TO REV. 3 ONLY

GENERAL NOTES:

- "POST CONSTRUCTION DRAWINGS" ARE GENERATED FROM CONSTRUCTION CHANGE INFORMATION FORWARDED TO BOWER DAMBERGER ROLSETH ENGINEERING LTD. BY THE OWNER'S FIELD SUPERVISORS AND/OR BIDDING CONTRACTORS. ANY CHANGES NOT DOCUMENTED WILL NOT APPEAR ON THE DRAWINGS AND THEREFORE THE DRAWING MAY NOT BE AN ACCURATE REPRESENTATION OF THE CONTROLLED FACILITY.
- PRIOR TO THE COMMENCEMENT OF ANY CONSTRUCTION AND/OR EXCAVATION IT SHALL BE THE RESPONSIBILITY OF THE OWNER'S REPRESENTATIVE TO VERIFY THE LOCATION AND STATUS OF ANY PIPING, ELECTRICAL EQUIPMENT OR BUILDINGS.
- ANY REVISIONS MADE TO EXISTING EQUIPMENT, PIPING OR ELECTRICAL ON A FACILITY NOT DESIGNED BY B.D.R. ENG. LTD. IS ONLY SHOWN AS A REPRESENTATION OF WHAT EXISTS AND MUST BE VERIFIED BY THE OWNER.

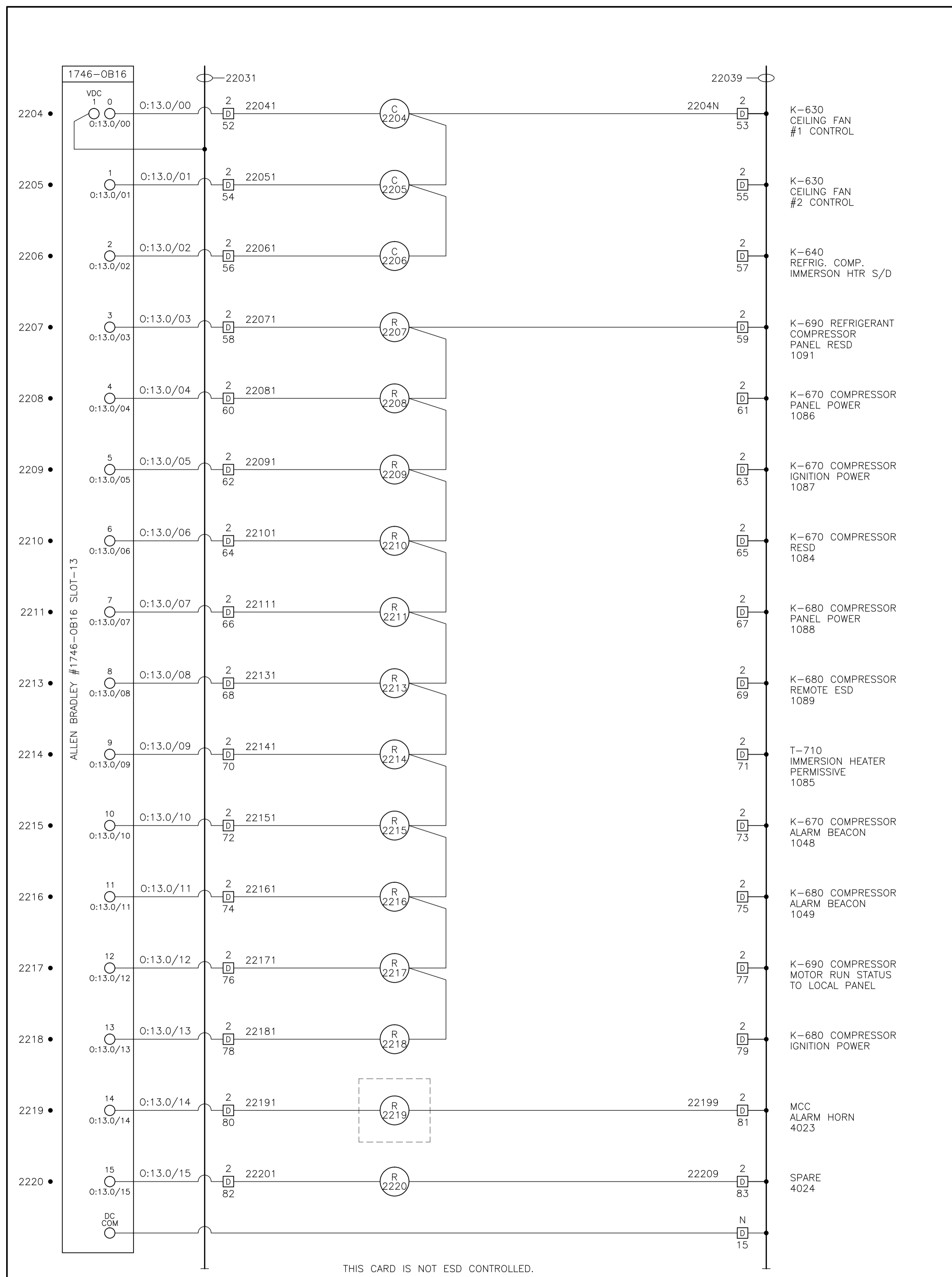
DESIGN	BY	DATE
DRAWN	ATB	04.08.23
CHK'D	PC	04.08.23
APP'D	BGO	05.10.19
L.S.D.	RLB	05.10.19
		15-10-62-06 WSM



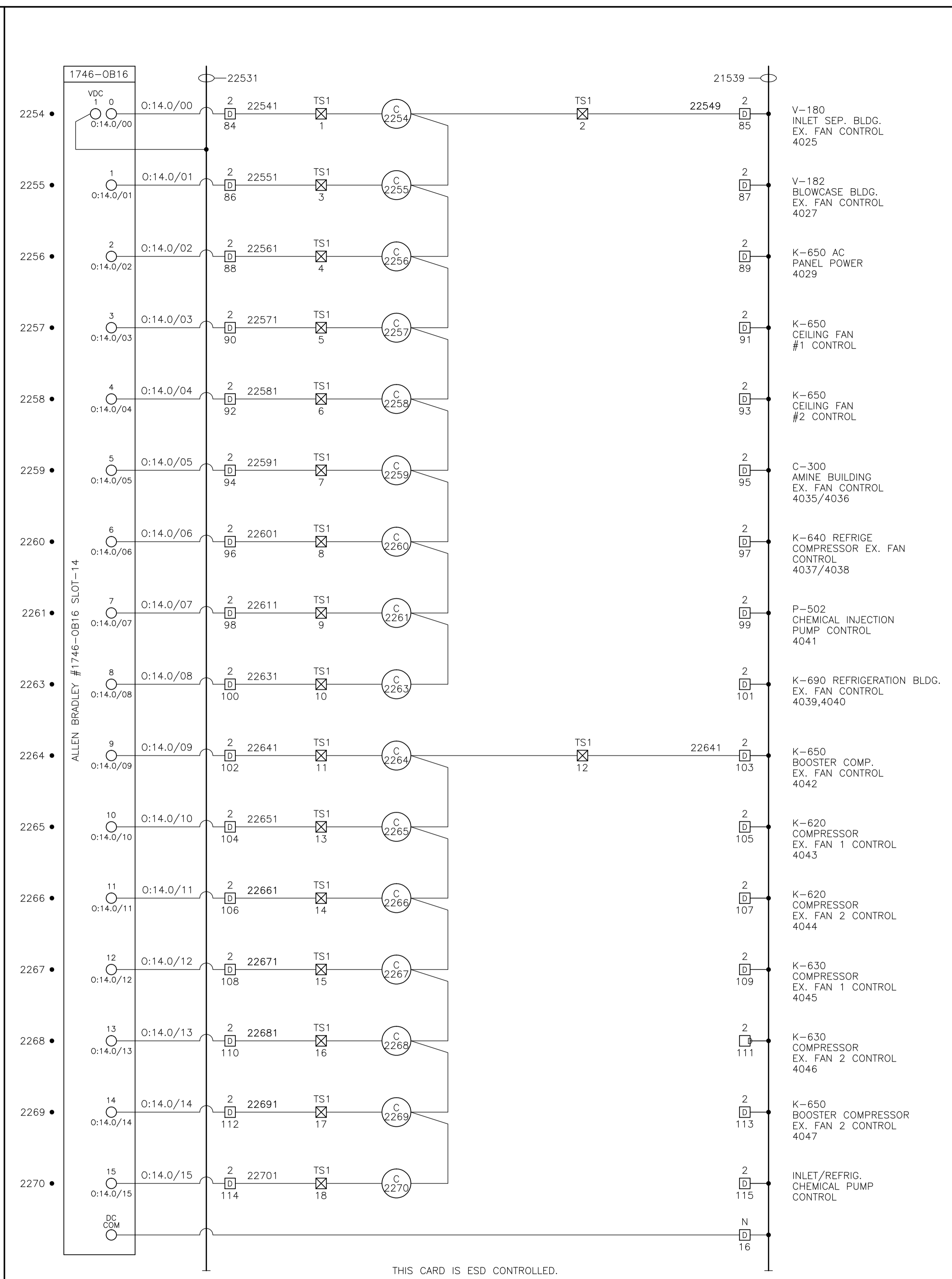
FORT ENERGY CORPORATION

CORBETT GAS PLANT
24Vdc CONTROL SCHEMATICS

SCALE	DRAWING NUMBER	REV
N/A	D-23212-E-07-019	8



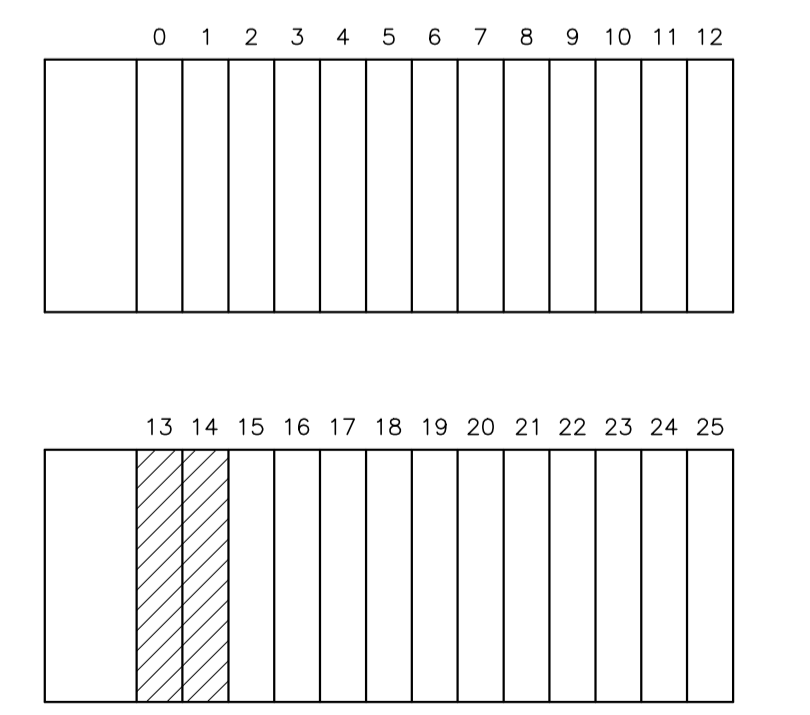
THIS CARD IS NOT ESD CONTROLLED.



THIS CARD IS ESD CONTROLLED.

CONTROL SCHEMATICS -- LEGEND

- TS MAIN CONTROL PANEL TERMINAL
- STANDARD TERMINAL
- ⊠ DISCONNECT TYPE TERMINAL
- ⊞ FUSED TERMINAL
- MANUFACTURED EQUIPMENT TERMINAL
- ⊞ CONTACTOR PANEL TERMINAL
- ⊞ MOTOR CONTROL CENTER TERMINAL
- FIELD/SKID JUNCTION BOX TERMINAL
- TAG SERVICE
- TBL 120VAC UTILITIES
- TBD 24VDC CONTROL
- TBA ANALOG
- TAG# FIELD/SKID J.BOX
- 180 V-180 INLET BLDG.
- 182 V-182 BLOWCASE BLDG.
- 650 K-650 BOOSTER COMPRESSOR BLDG.
- 620 K-620 COMPRESSOR BLDG.
- 630 K-630 COMPRESSOR BLDG.
- 670 K-670 COMPRESSOR BLDG.
- 680 K-680 COMPRESSOR BLDG.
- 300 C-300 AMINE BLDG.
- 640 K-640 REFRIGERATION BLDG.
- 690 K-690 REFRIGERATION BLDG.
- 711 T-711 SOUTH TANK FARM AREA
- 701 T-701 NORTH TANK FARM AREA
- 709 FLARE K.O. DRUM BLDG.



NO.	REVISION	PROJECT	DSN	DRN	CHK'D	APP'D	DATE
8	POST CONSTRUCTION REVISIONS	43884	BGO	SRM			06.02.14
7	2005 EXPANSION ISSUED FOR CONSTRUCTION	43884	BGO	FC	BGO	RLB	05.10.19
6	2005 EXPANSION ISSUED FOR BID	43884	BGO	FC	BGO		05.09.26
5	2005 EXPANSION ISSUED FOR APPROVAL	43884	BGO	FC	BGO		05.09.06
4	POST CONSTRUCTION REVISIONS	43733	ATB	SM	ATB		05.02.02
3	ISSUED FOR CONSTRUCTION	43733	ATB	FC	ATB	WDS	04.11.01
2	ISSUED FOR FIELD BID	43733	ATB	FC	ATB		04.10.15
1	ISSUED FOR APPROVAL	43733	ATB	FC	ATB		04.10.04
0	REDRAWN	43733	ATB	PC	ATB		04.08.23

PERMIT STAMP:	STAMP APPLIED TO REV. 7 ONLY

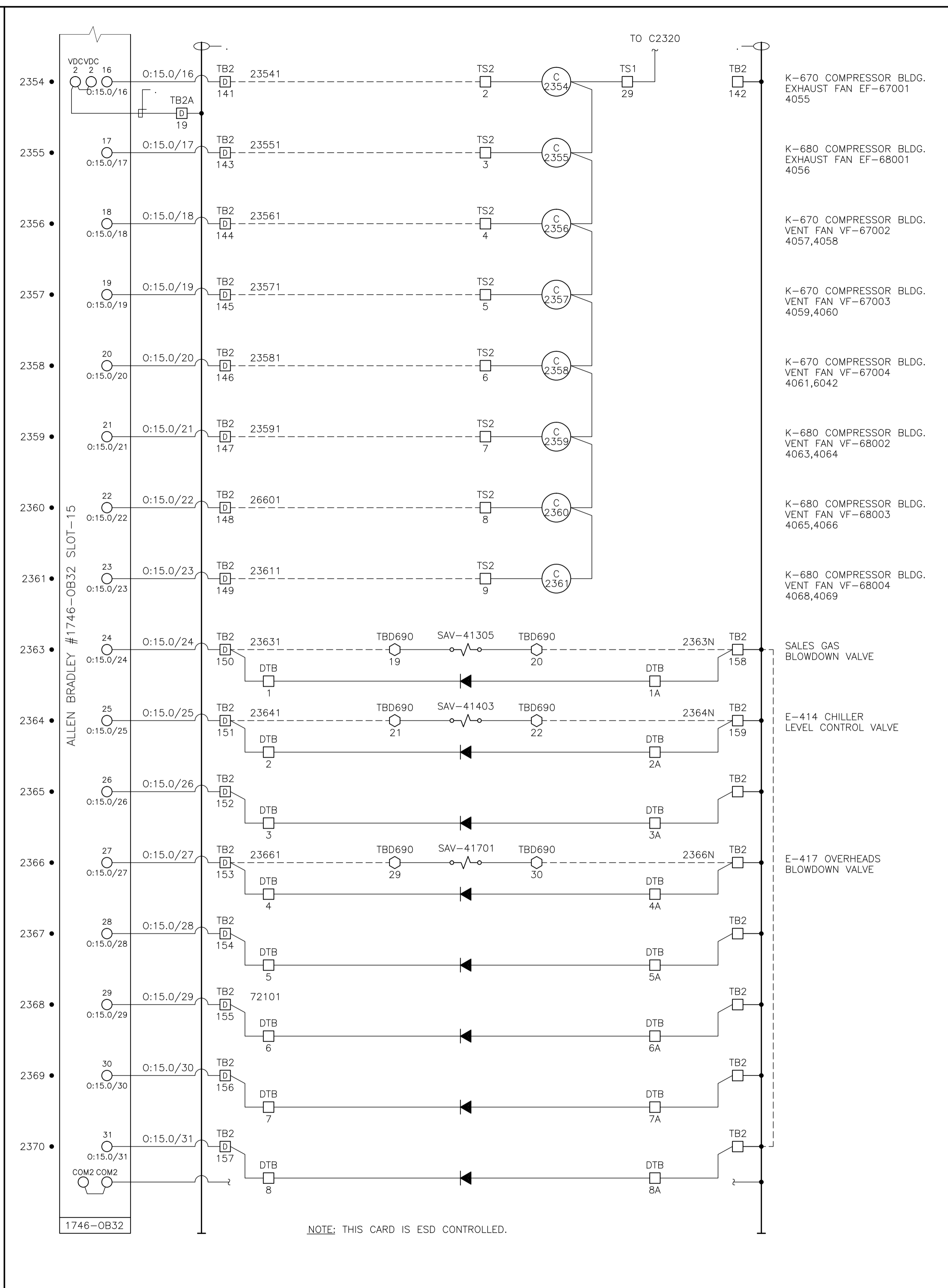
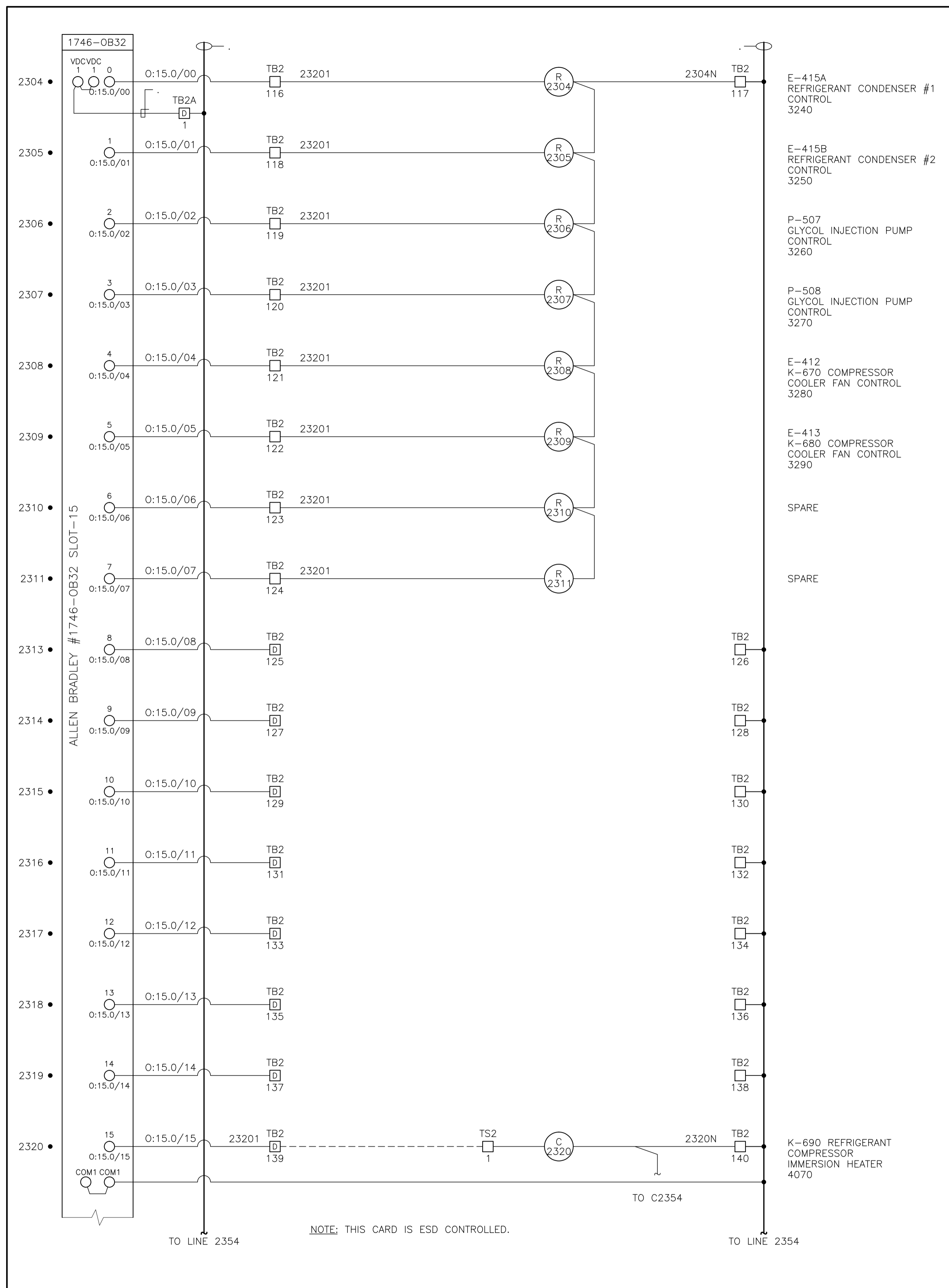
GENERAL NOTES:

- "POST CONSTRUCTION DRAWINGS" ARE GENERATED FROM CONSTRUCTION CHANGE INFORMATION FORWARDED TO BOWER DAMBERGER ROLSETH ENGINEERING LTD. BY THE OWNER'S FIELD SUPERVISORS AND/OR FIELD CONTRACTORS. ANY CHANGES NOT DOCUMENTED WILL NOT APPEAR ON THE DRAWINGS AND THEREFORE THE DRAWING MAY NOT BE AN ACCURATE REPRESENTATION OF THE CONSTRUCTED FACILITY.
- PRIOR TO THE COMMENCEMENT OF ANY CONSTRUCTION AND/OR EXCAVATION IT SHALL BE THE RESPONSIBILITY OF THE OWNER REPRESENTATIVE TO VERIFY THE LOCATION AND STATUS OF ANY PIPING, ELECTRICAL, EQUIPMENT OR BUILDINGS.
- ANY REVISIONS MADE TO EXISTING EQUIPMENT, PIPING OR ELECTRICAL ON A FACILITY NOT DESIGNED BY B.D.R. ENG. LTD. IS ONLY SHOWN AS A REPRESENTATION OF WHAT EXISTS AND MUST BE VERIFIED BY THE OWNER.

DESIGN	BY	DATE
ATB	ATB	04.08.23
DRAWN	PC	04.08.23
CHK'D	BGO	05.10.19
APP'D	RLB	05.10.19
L.S.D.	15-10-62-06	W5M



FORT ENERGY CORPORATION		
CORBETT GAS PLANT 24Vdc CONTROL SCHEMATICS		
SCALE	DRAWING NUMBER	REV
N/A	D-23212-E-07-020	8



CONTROL SCHEMATICS -- LEGEND

TS MAIN CONTROL PANEL TERMINAL
 STANDARD TERMINAL
 DISCONNECT TYPE TERMINAL
 FUSED TERMINAL
 MANUFACTURED EQUIPMENT TERMINAL
 CP CONTACTOR PANEL TERMINAL
 MTR:TAG MOTOR CONTROL CENTER TERMINAL
 TB:TAG FIELD/SKID JUNCTION BOX TERMINAL

TAG SERVICE
 TBL 120VAC UTILITIES
 TBD 24VDC CONTROL
 TBA ANALOG

TAG# FIELD/SKID J.BOX
 180 V-180 INLET BLDG.
 182 V-182 BLOWCASE BLDG.
 650 K-650 BOOSTER COMPRESSOR BLDG.
 620 K-620 COMPRESSOR BLDG.
 630 K-630 COMPRESSOR BLDG.
 670 K-670 COMPRESSOR BLDG.
 680 K-680 COMPRESSOR BLDG.
 300 C-300 AMINE BLDG.
 640 K-640 REFRIGERATION BLDG.
 690 K-690 REFRIGERATION BLDG.
 711 T-711 SOUTH TANK FARM AREA
 701 T-701 NORTH TANK FARM AREA
 709 FLARE K.O. DRUM BLDG.

0	1	2	3	4	5	6	7	8	9	10	11	12
13	14	15	16	17	18	19	20	21	22	23	24	25

NO.	REVISION	PROJECT	DSN	DRN	CHK'D	APP'D	DATE
8	POST CONSTRUCTION REVISIONS	43884	BGO	SRM			06.02.14
7	2005 EXPANSION ISSUED FOR CONSTRUCTION	43884	BGO	FC	BGO	RLB	05.10.19
6	2005 EXPANSION ISSUED FOR BID	43884	BGO	FC	BGO		05.09.26
5	2005 EXPANSION ISSUED FOR APPROVAL	43884	BGO	FC	BGO		05.09.06
4	POST CONSTRUCTION REVISIONS	43733	ATB	SM	ATB		05.02.02
3	ISSUED FOR CONSTRUCTION	43733	ATB	FC	ATB	WDS	04.11.01
2	ISSUED FOR FIELD BID	43733	ATB	FC	ATB		04.10.15
1	ISSUED FOR APPROVAL	43733	ATB	FC	ATB		04.10.04
0	REDRAWN	43733	ATB	PC	ATB		04.08.23

PERMIT STAMP:	STAMP APPLIED TO REV. 7 ONLY
---------------	------------------------------

GENERAL NOTES:

- "POST CONSTRUCTION DRAWINGS" ARE GENERATED FROM CONSTRUCTION CHANGE INFORMATION FORWARDED TO BOWER DAMBERGER ROLSETH ENGINEERING LTD. BY THE OWNER'S FIELD SUPERVISORS AND/OR BIDDING CONTRACTORS. ANY CHANGES NOT DOCUMENTED WILL NOT APPEAR ON THE DRAWINGS AND THEREFORE THE DRAWING MAY NOT BE AN ACCURATE REPRESENTATION OF THE CONSTRUCTED FACILITY.
- PRIOR TO THE COMMENCEMENT OF ANY CONSTRUCTION AND/OR EXCAVATION IT SHALL BE THE RESPONSIBILITY OF THE OWNER REPRESENTATIVE TO VERIFY THE LOCATION AND STATUS OF ANY PIPING, ELECTRICAL, EQUIPMENT OR BUILDINGS.
- ANY REVISIONS MADE TO EXISTING EQUIPMENT, PIPING OR ELECTRICAL ON A FACILITY NOT DESIGNED BY B.D.R. ENG. LTD. IS ONLY SHOWN AS A REPRESENTATION OF WHAT EXISTS AND MUST BE VERIFIED BY THE OWNER.

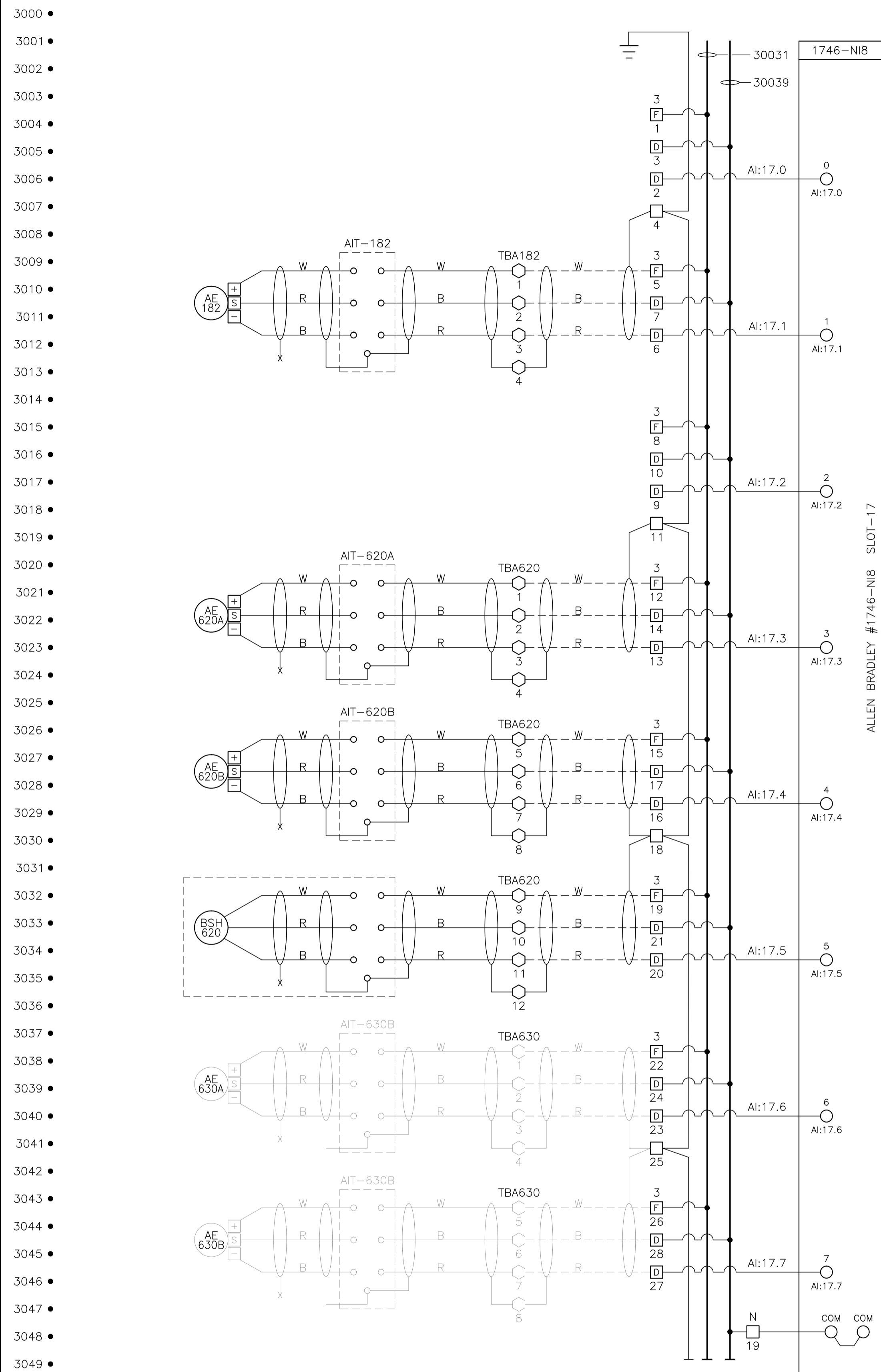
DESIGN	BY	DATE
ATB	ATB	04.08.23
PC	PC	04.08.23
BGO	BGO	05.10.19
RLB	RLB	05.10.19
L.S.D.	15-10-62-06	W5M



FORT ENERGY CORPORATION

CORBETT GAS PLANT
24Vdc CONTROL SCHEMATICS

SCALE	DRAWING NUMBER	REV
N/A	D-23212-E-07-021	8



V-182
BLOWCASE BLDG.
LEL DETECTOR

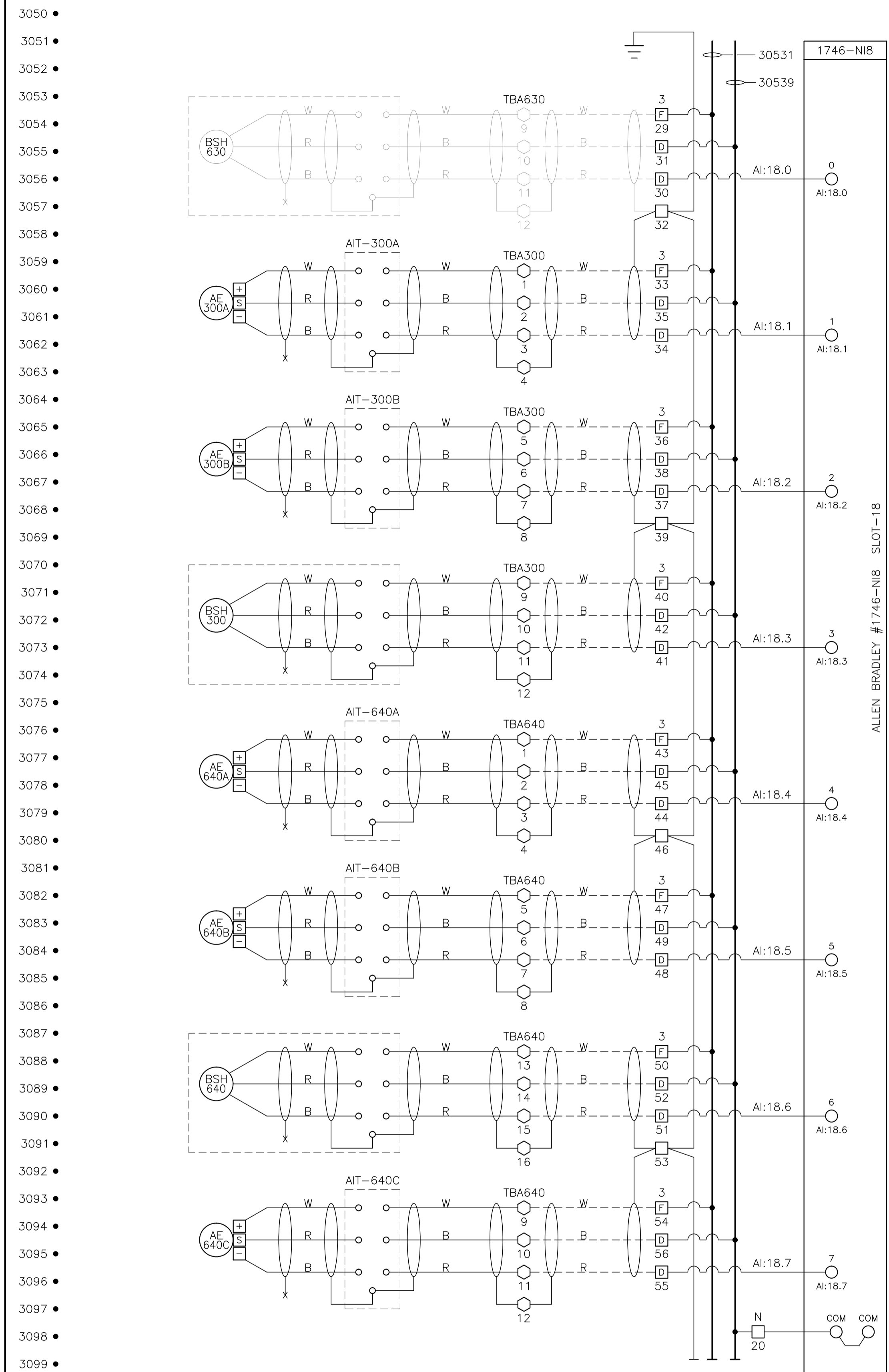
K-620
COMPRESSOR BLDG.
LEL DETECTOR

K-620
COMPRESSOR BLDG.
LEL DETECTOR

K-620
COMPRESSOR BLDG.
FIRE DETECTOR

K-630
COMPRESSOR BLDG.
LEL DETECTOR

K-630
COMPRESSOR BLDG.
LEL DETECTOR



K-630
COMPRESSOR BLDG.
FIRE DETECTOR

C-300
AMINE BLDG.
LEL DETECTOR

C-300
AMINE BLDG.
LEL DETECTOR

C-300
AMINE BLDG.
FIRE DETECTOR

K-640
REFRIDGE BLDG.
LEL DETECTOR

K-640
REFRIDGE BLDG.
LEL DETECTOR

K-640
REFRIDGE BLDG.
FIRE DETECTOR

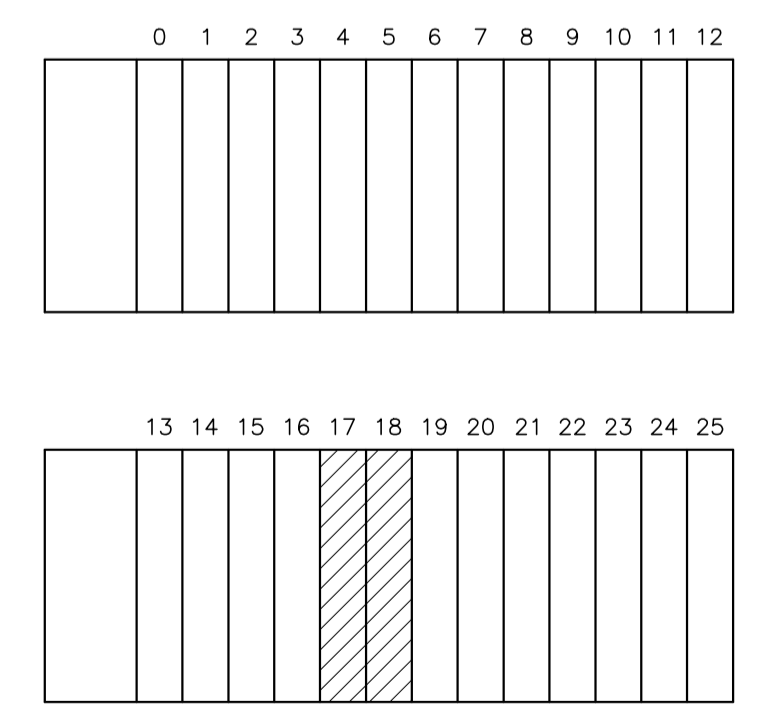
K-640
REFRIDGE BLDG.
PROPANE DETECTOR

CONTROL SCHEMATICS -- LEGEND

- TS MAIN CONTROL PANEL TERMINAL
- STANDARD TERMINAL
- DISCONNECT TYPE TERMINAL
- FUSED TERMINAL
- MANUFACTURED EQUIPMENT TERMINAL
- CONTACTOR PANEL TERMINAL
- MOTOR CONTROL CENTER TERMINAL
- FIELD/SKID JUNCTION BOX TERMINAL

- TAG SERVICE
- TBL 120VAC UTILITIES
- TBD 24VDC CONTROL
- TBA ANALOG

- | TAG# | FIELD/SKID J. BOX |
|------|--------------------------------|
| 180 | V-180 INLET BLDG. |
| 182 | V-182 BLOWCASE BLDG. |
| 650 | K-650 BOOSTER COMPRESSOR BLDG. |
| 620 | K-620 COMPRESSOR BLDG. |
| 630 | K-630 COMPRESSOR BLDG. |
| 670 | K-670 COMPRESSOR BLDG. |
| 680 | K-680 COMPRESSOR BLDG. |
| 300 | C-300 AMINE BLDG. |
| 640 | K-640 REFRIGERATION BLDG. |
| 690 | K-690 REFRIGERATION BLDG. |
| 711 | T-711 SOUTH TANK FARM AREA |
| 701 | T-701 NORTH TANK FARM AREA |
| 709 | FLARE K.O. DRUM BLDG. |



NO.	REVISION	PROJECT	DSN	DRN	CHK'D	APP'D	DATE
8	POST CONSTRUCTION REVISIONS	43884	BGO	SRM			06.02.14
7	2005 EXPANSION ISSUED FOR CONSTRUCTION	43884	BGO	FC	BGO	RLB	05.10.19
6	2005 EXPANSION ISSUED FOR BID	43884	BGO	FC	BGO		05.09.26
5	2005 EXPANSION ISSUED FOR APPROVAL	43884	BGO	FC	BGO		05.09.26
4	POST CONSTRUCTION REVISIONS	43733	ATB	SM	ATB		05.02.02
3	ISSUED FOR CONSTRUCTION	43733	ATB	FC	ATB	WDS	04.11.01
2	ISSUED FOR FIELD BID	43733	ATB	FC	ATB		04.10.15
1	ISSUED FOR APPROVAL	43733	ATB	FC	ATB		04.10.04
0	REDRAWN	43733	ATB	PC	ATB		04.08.23

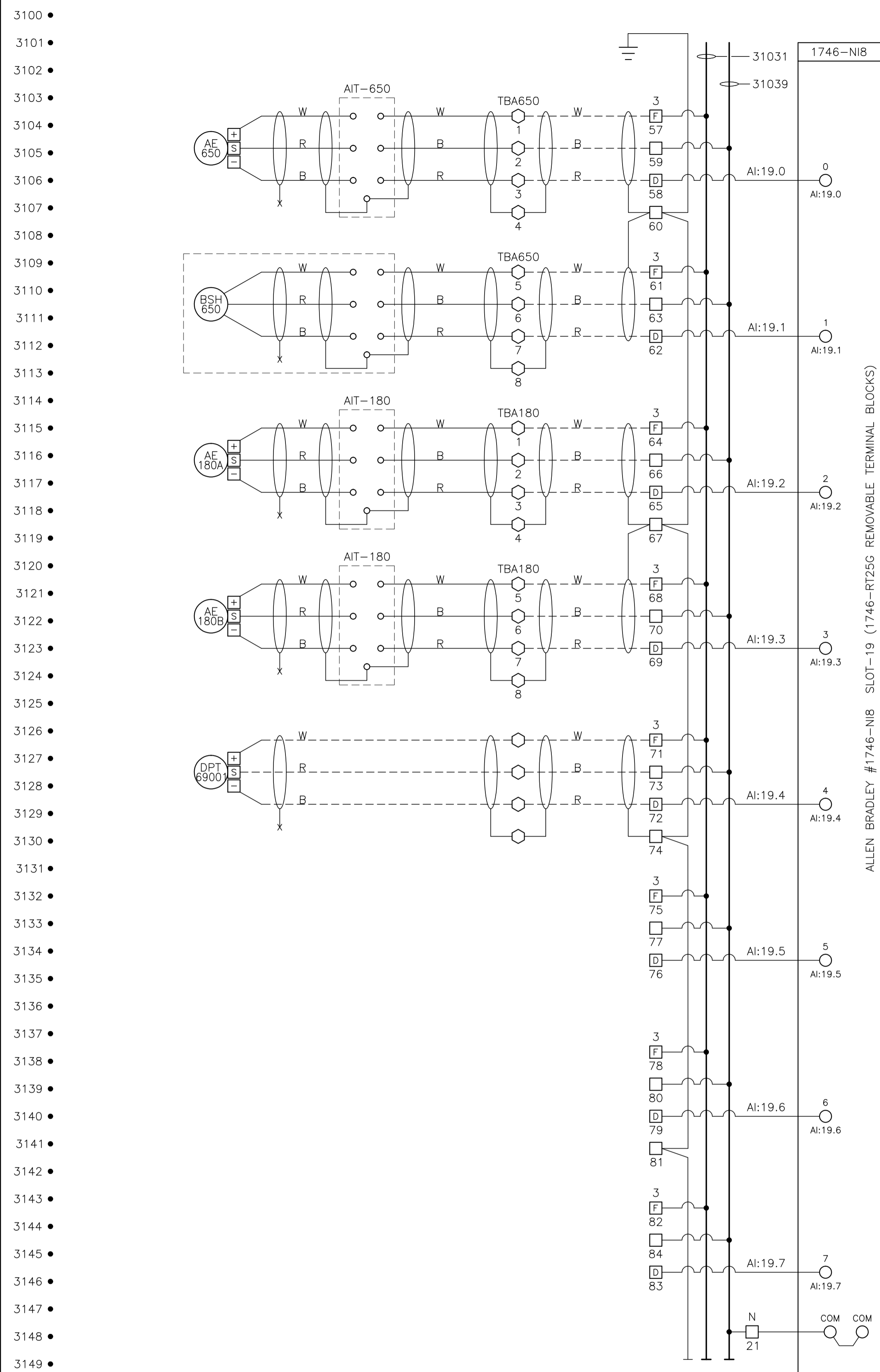
PERMIT STAMP:	STAMP APPLIED TO REV. 7 ONLY
---------------	------------------------------

GENERAL NOTES:
 1. "POST CONSTRUCTION DRAWINGS" ARE GENERATED FROM CONSTRUCTION CHANGE INFORMATION FORWARDED TO BOWER DAMBERGER ROLSETH ENGINEERING LTD. BY THE OWNER'S FIELD SUPERVISORS AND/OR FIELD CONTRACTORS. ANY CHANGES NOT DOCUMENTED WILL NOT APPEAR ON THE DRAWINGS AND THEREFORE THE DRAWING MAY NOT BE AN ACCURATE REPRESENTATION OF THE CONSTRUCTED FACILITY.
 2. PRIOR TO THE COMMENCEMENT OF ANY CONSTRUCTION AND/OR EXCAVATION IT SHALL BE THE RESPONSIBILITY OF THE OWNER'S REPRESENTATIVE TO VERIFY THE LOCATION AND STATUS OF ANY PIPING, ELECTRICAL, EQUIPMENT OR BUILDINGS.
 3. ANY REVISIONS MADE TO EXISTING EQUIPMENT, PIPING OR ELECTRICAL ON A FACILITY NOT DESIGNED BY B.D.R. ENG. LTD. IS ONLY SHOWN AS A REPRESENTATION OF WHAT EXISTS AND MUST BE VERIFIED BY THE OWNER.

DESIGN	BY	DATE
DRAWN	ATB	04.08.23
CHK'D	PC	04.08.23
APP'D	BGO	05.10.19
L.S.D.	RLB	05.10.19
	W5M	15-10-62-06



FORT ENERGY CORPORATION		
CORBETT GAS PLANT 24Vdc CONTROL SCHEMATICS		
SCALE	DRAWING NUMBER	REV
N/A	D-23212-E-07-022	8



ALLEN BRADLEY #1746-NIB SLOT-19 (1746-RT25G REMOVABLE TERMINAL BLOCKS)

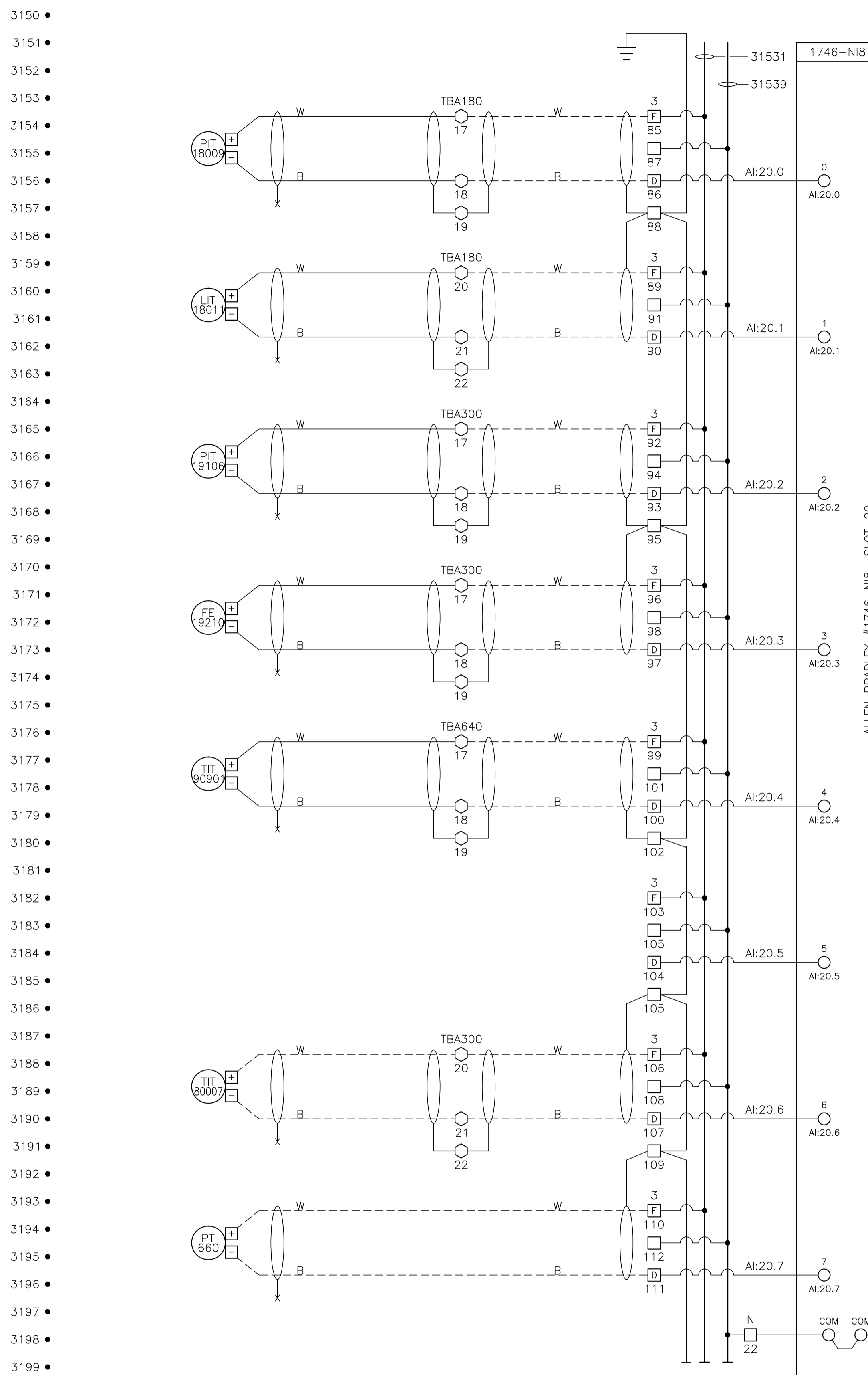
K-650 BOOSTER COMPRESSOR BLDG. LEL DETECTOR

K-650 BOOSTER COMPRESSOR BLDG. FIRE DETECTOR

V-180 INLET BLDG. LEL DETECTOR

V-180 INLET BLDG. LEL DETECTOR

K-690 REFRIDGE OUTLET GAS FLOW



ALLEN BRADLEY #1746-NIB SLOT-20

V-180 INLET SEPARATOR PRESSURE TRANSMITTER

V-180 INLET SEPARATOR LEVEL TRANSMITTER

V-191 SWEET GAS SEPARATOR PRESSURE TRANSMITTER

ACID GAS METER RUN

M-909 REFRIGERANT FILTER INLET TEMPERATURE TRANSMITTER

V-189 CYCLONE SEPARATOR DISCHARGE PRESSURE TRANSMITTER

C-301 DISCHARGE TEMPERATURE INDICATING TRANSMITTER

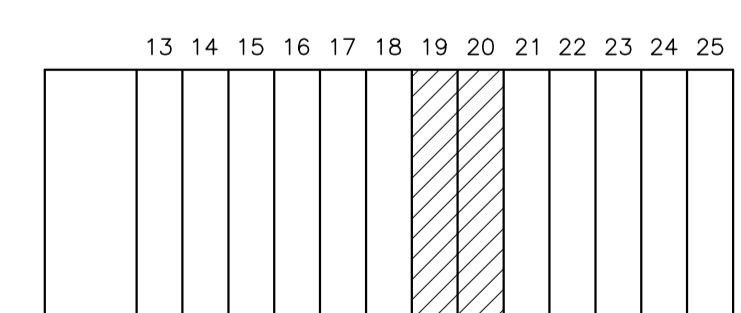
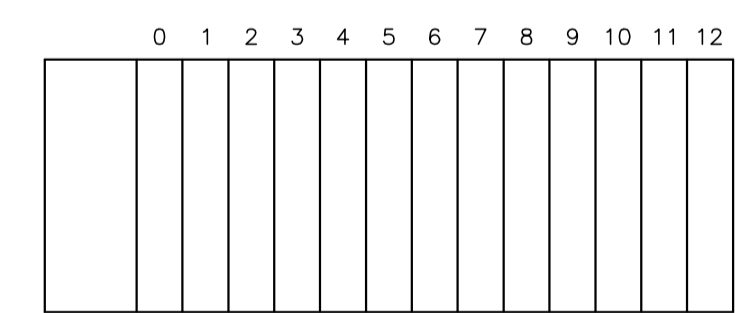
K-660A/B AIR COMPRESSOR TRANSMITTER

CONTROL SCHEMATICS -- LEGEND

- TS MAIN CONTROL PANEL TERMINAL
- STANDARD TERMINAL
- DISCONNECT TYPE TERMINAL
- FUSED TERMINAL
- MANUFACTURED EQUIPMENT TERMINAL
- CONTACTOR PANEL TERMINAL
- MOTOR CONTROL CENTER TERMINAL
- FIELD/SKID JUNCTION BOX TERMINAL

- TAG SERVICE
- TBL 120VAC UTILITIES
- TBD 24VDC CONTROL
- TBA ANALOG

TAG#	FIELD/SKID J.BOX
180	V-180 INLET BLDG.
182	V-182 BLOWCASE BLDG.
650	K-650 BOOSTER COMPRESSOR BLDG.
620	K-620 COMPRESSOR BLDG.
630	K-630 COMPRESSOR BLDG.
670	K-670 COMPRESSOR BLDG.
680	K-680 COMPRESSOR BLDG.
300	C-300 AMINE BLDG.
640	K-640 REFRIGERATION BLDG.
690	K-690 REFRIGERATION BLDG.
711	T-711 SOUTH TANK FARM AREA
701	T-701 NORTH TANK FARM AREA
709	FLARE K.O. DRUM BLDG.



NO.	REVISION	PROJ. No.	BY	DATE	CHK.	DATE
4	POST CONSTRUCTION REVISIONS	43733	SM	05.02.02	ATB	05.02.02
3	ISSUED FOR CONSTRUCTION	43733	FC	04.10.28	ATB	04.11.01
2	ISSUED FOR FIELD BID	43733	FC	04.10.15	ATB	04.10.15
1	ISSUED FOR APPROVAL	43733	FC	04.09.29	ATB	04.10.04
0	REDRAWN	43733	PC	04.08.23	ATB	04.08.23

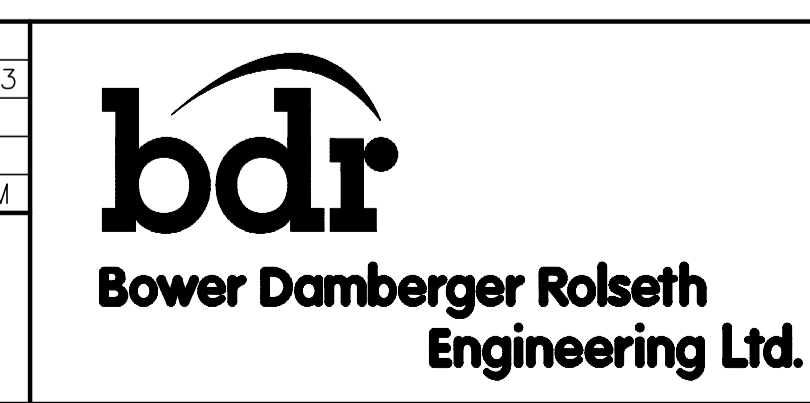
PERMIT STAMP: _____

STAMP APPLIED TO REV. 3 ONLY

GENERAL NOTES:

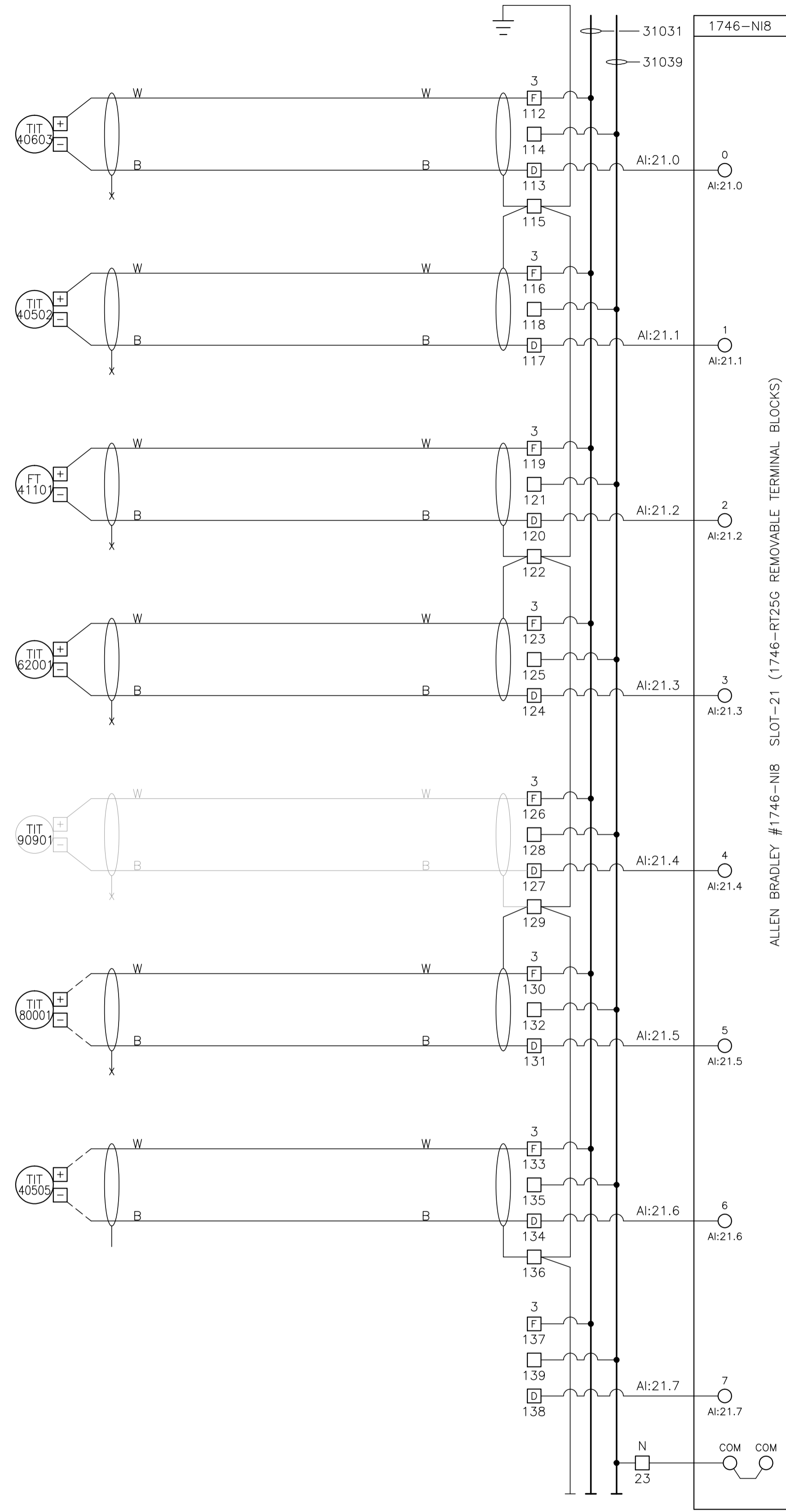
- "POST CONSTRUCTION DRAWINGS" ARE GENERATED FROM CONSTRUCTION CHANGE INFORMATION FORWARDED TO BOWER DAMBERGER ROLSETH ENGINEERING LTD. BY THE OWNER'S FIELD SUPERVISORS AND/OR FIELD CONTRACTORS. ANY CHANGES NOT DOCUMENTED WILL NOT APPEAR ON THE DRAWINGS AND THEREFORE THE DRAWING MAY NOT BE AN ACCURATE REPRESENTATION OF THE CONSTRUCTED FACILITY.
- PRIOR TO THE COMMENCEMENT OF ANY CONSTRUCTION AND/OR EXCAVATION IT SHALL BE THE RESPONSIBILITY OF THE OWNER'S REPRESENTATIVE TO VERIFY THE LOCATION AND STATUS OF ANY PIPING, ELECTRICAL, EQUIPMENT OR BUILDINGS.
- ANY REVISIONS MADE TO EXISTING EQUIPMENT, PIPING OR ELECTRICAL ON A FACILITY NOT DESIGNED BY B.D.R. ENG. LTD. IS ONLY SHOWN AS A REPRESENTATION OF WHAT EXISTS AND MUST BE VERIFIED BY THE OWNER.

DRN.	BY	DATE
CHK.	PC	04.08.23
APP'D.		
L.S.D.	15-10-62-06 WSM	



FORT ENERGY CORPORATION		
CORBETT GAS PLANT		
24Vdc CONTROL SCHEMATICS		
SCALE	DRAWING NUMBER	REV
N/A	D-23212-E-07-023	4

3200 •
3201 •
3202 •
3203 •
3204 •
3205 •
3206 •
3207 •
3208 •
3209 •
3210 •
3211 •
3212 •
3213 •
3214 •
3215 •
3216 •
3217 •
3218 •
3219 •
3220 •
3221 •
3222 •
3223 •
3224 •
3225 •
3226 •
3227 •
3228 •
3229 •
3230 •
3231 •
3232 •
3233 •
3234 •
3235 •
3236 •
3237 •
3238 •
3239 •
3240 •
3241 •
3242 •
3243 •
3244 •
3245 •
3246 •
3247 •
3248 •
3249 •



31031
31039
1746-NIB

E-406
AMINE COOLER
TEMP. TRANSMITTER

E-405
REFLUX CONDENSER
TEMP. TRANSMITTER

COND. FLOW FROM
C-303 STABILIZER

K-620
COMPRESSOR BLDG.
AMBIENT TEMP.

K-630
COMPRESSOR BLDG.
AMBIENT TEMP.

H-800
AMINE REBOILER
TEMPERATURE

E-405
REFLUX CONDENSER
AMBIENT TEMP.

Allen Bradley #1746-NIB Slot-21 (1746-RT25G Removable Terminal Blocks)

3250 •
3251 •
3252 •
3253 •
3254 •
3255 •
3256 •
3257 •
3258 •
3259 •
3260 •
3261 •
3262 •
3263 •
3264 •
3265 •
3266 •
3267 •
3268 •
3269 •
3270 •
3271 •
3272 •
3273 •
3274 •
3275 •
3276 •
3277 •
3278 •
3279 •
3280 •
3281 •
3282 •
3283 •
3284 •
3285 •
3286 •
3287 •
3288 •
3289 •
3290 •
3291 •
3292 •
3293 •
3294 •
3295 •
3296 •
3297 •
3298 •
3299 •

CONTROL SCHEMATICS -- LEGEND

- TS
 - MAIN CONTROL PANEL TERMINAL
 - STANDARD TERMINAL
 - ⊞ DISCONNECT TYPE TERMINAL
 - ⊞ FUSED TERMINAL
 - MANUFACTURED EQUIPMENT TERMINAL
 - ⊞ CONTACTOR PANEL TERMINAL
 - ⊞ MOTOR CONTROL CENTER TERMINAL
 - FIELD/SKID JUNCTION BOX TERMINAL
- JAG SERVICE
- TBL 120VAC UTILITIES
- TBD 24VDC CONTROL
- TBA ANALOG
- JAG# FIELD/SKID J.BOX
- 180 V-180 INLET BLDG.
- 182 V-182 BLOWCASE BLDG.
- 650 K-650 BOOSTER COMPRESSOR BLDG.
- 620 K-620 COMPRESSOR BLDG.
- 630 K-630 COMPRESSOR BLDG.
- 670 K-670 COMPRESSOR BLDG.
- 680 K-680 COMPRESSOR BLDG.
- 300 C-300 AMINE BLDG.
- 640 K-640 REFRIGERATION BLDG.
- 690 K-690 REFRIGERATION BLDG.
- 711 T-711 SOUTH TANK FARM AREA
- 701 T-701 NORTH TANK FARM AREA
- 709 FLARE K.O. DRUM BLDG.

0	1	2	3	4	5	6	7	8	9	10	11	12
13	14	15	16	17	18	19	20	21	22	23	24	25

NO.	REVISION	PROJECT	DSN	DRN	CHK'D	APP'D	DATE
7	POST CONSTRUCTION REVISIONS	43884	BGO	SRM			06.02.14
6	2005 EXPANSION ISSUED FOR CONSTRUCTION	43884	BGO	FC	BGO	RLB	05.10.19
5	2005 EXPANSION ISSUED FOR BID	43884	BGO	FC	BGO		05.09.26
4	2005 EXPANSION ISSUED FOR APPROVAL	43884	BGO	FC	BGO		05.09.26
3	POST CONSTRUCTION REVISIONS	43733	ATB	SM	ATB		05.02.02
2	ISSUED FOR CONSTRUCTION	43733	ATB	FC	ATB	WDS	04.11.01
1	ISSUED FOR FIELD BID	43733	ATB	FC	ATB		04.10.15
0	REDRAWN	43733	ATB	PC	ATB		04.08.23

PERMIT STAMP:

STAMP APPLIED TO REV. 6 ONLY

GENERAL NOTES:

1. "POST CONSTRUCTION DRAWINGS" ARE GENERATED FROM CONSTRUCTION CHANGE INFORMATION FORWARDED TO BOWER DAMBERGER ROLSETH ENGINEERING LTD. BY THE OWNER'S FIELD SUPERVISORS AND/OR FIELD CONTRACTORS. ANY CHANGES NOT DOCUMENTED WILL NOT APPEAR ON THE DRAWINGS AND THEREFORE THE DRAWING MAY NOT BE AN ACCURATE REPRESENTATION OF THE CONSTRUCTED FACILITY.

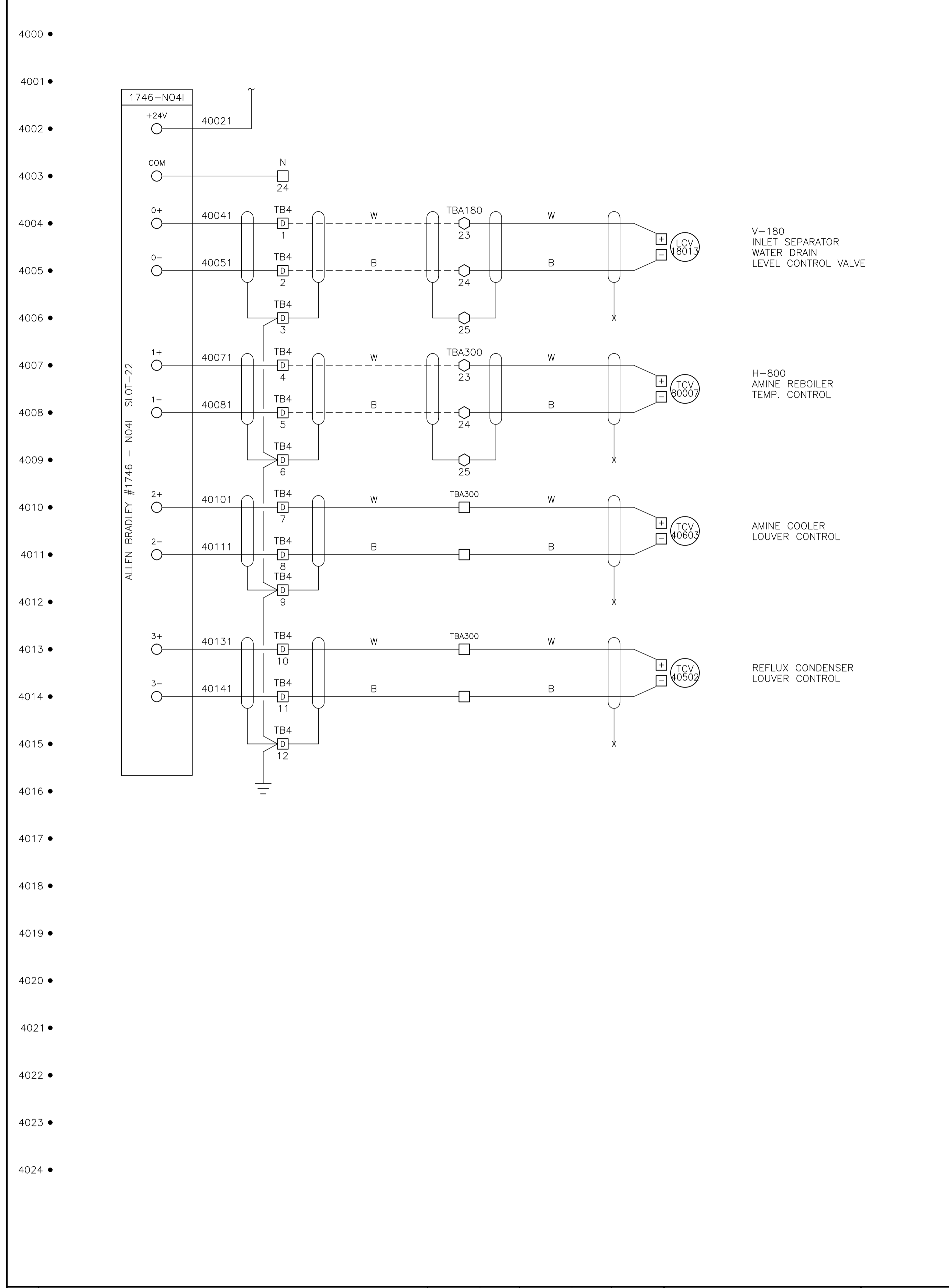
2. PRIOR TO THE COMMENCEMENT OF ANY CONSTRUCTION AND/OR EXCAVATION IT SHALL BE THE RESPONSIBILITY OF THE OWNER REPRESENTATIVE TO VERIFY THE LOCATION AND STATUS OF ANY PIPING, ELECTRICAL EQUIPMENT OR BUILDINGS.

3. ANY REVISIONS MADE TO EXISTING EQUIPMENT, PIPING OR ELECTRICAL ON A FACILITY NOT DESIGNED BY B.D.R. ENG. LTD. IS ONLY SHOWN AS A REPRESENTATION OF WHAT EXISTS AND MUST BE VERIFIED BY THE OWNER.

DESIGN	BY	DATE
DRAWN	ATB	04.08.23
CHK'D	PC	04.08.23
APP'D	BGO	05.10.19
L.S.D.	RLB	05.10.19
		15-10-62-06 WSM



FORT ENERGY CORPORATION		
CORBETT GAS PLANT 24Vdc CONTROL SCHEMATICS		
SCALE	DRAWING NUMBER	REV
N/A	D-23212-E-07-024	7

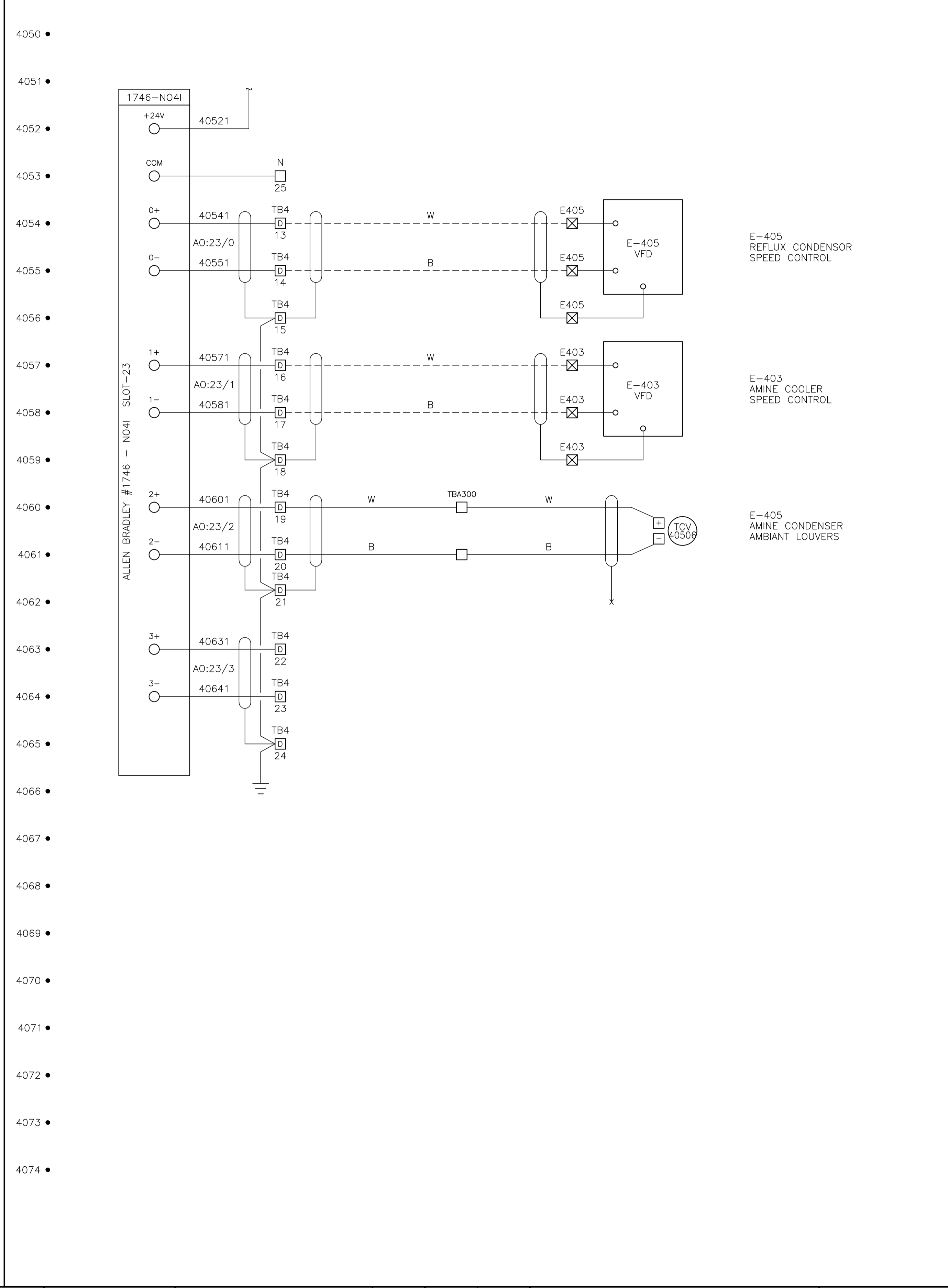


V-180
INLET SEPARATOR
WATER DRAIN
LEVEL CONTROL VALVE

H-800
AMINE REBOILER
TEMP. CONTROL

AMINE COOLER
LOUVER CONTROL

REFLUX CONDENSER
LOUVER CONTROL



E-405
REFLUX CONDENSER
SPEED CONTROL

E-403
AMINE COOLER
SPEED CONTROL

E-405
AMINE COOLER
AMBIANT LOUVERS

CONTROL SCHEMATICS -- LEGEND

- TS MAIN CONTROL PANEL TERMINAL
- STANDARD TERMINAL
- DISCONNECT TYPE TERMINAL
- FUSED TERMINAL
- MANUFACTURED EQUIPMENT TERMINAL
- CONTACTOR PANEL TERMINAL
- MOTOR CONTROL CENTER TERMINAL
- FIELD/SKID JUNCTION BOX TERMINAL

- TAG SERVICE
- TBL 120VAC UTILITIES
- TBD 24VDC CONTROL
- TBA ANALOG

- TAG# FIELD/SKID J.BOX
- 180 V-180 INLET BLDG.
- 182 V-182 BLOWCASE BLDG.
- 650 K-650 BOOSTER COMPRESSOR BLDG.
- 620 K-620 COMPRESSOR BLDG.
- 630 K-630 COMPRESSOR BLDG.
- 670 K-670 COMPRESSOR BLDG.
- 680 K-680 COMPRESSOR BLDG.
- 300 C-300 AMINE BLDG.
- 640 K-640 REFRIGERATION BLDG.
- 690 K-690 REFRIGERATION BLDG.
- 711 T-711 SOUTH TANK FARM AREA
- 701 T-701 NORTH TANK FARM AREA
- 709 FLARE K.O. DRUM BLDG.

0	1	2	3	4	5	6	7	8	9	10	11	12
13	14	15	16	17	18	19	20	21	22	23	24	25

NO.	REVISION	PROJ. No.	BY	DATE	CHK.	DATE
4	POST CONSTRUCTION REVISIONS	43733	SM	05.02.02	ATB	05.02.02
3	ISSUED FOR CONSTRUCTION	43733	FC	04.10.28	ATB	04.11.01
2	ISSUED FOR FIELD BID	43733	FC	04.10.15	ATB	04.10.15
1	ISSUED FOR APPROVAL	43733	FC	04.09.29	ATB	04.10.04
0	REDRAWN	43733	PC	04.08.23	ATB	04.08.23

PERMIT STAMP:

STAMP APPLIED TO REV. 3 ONLY

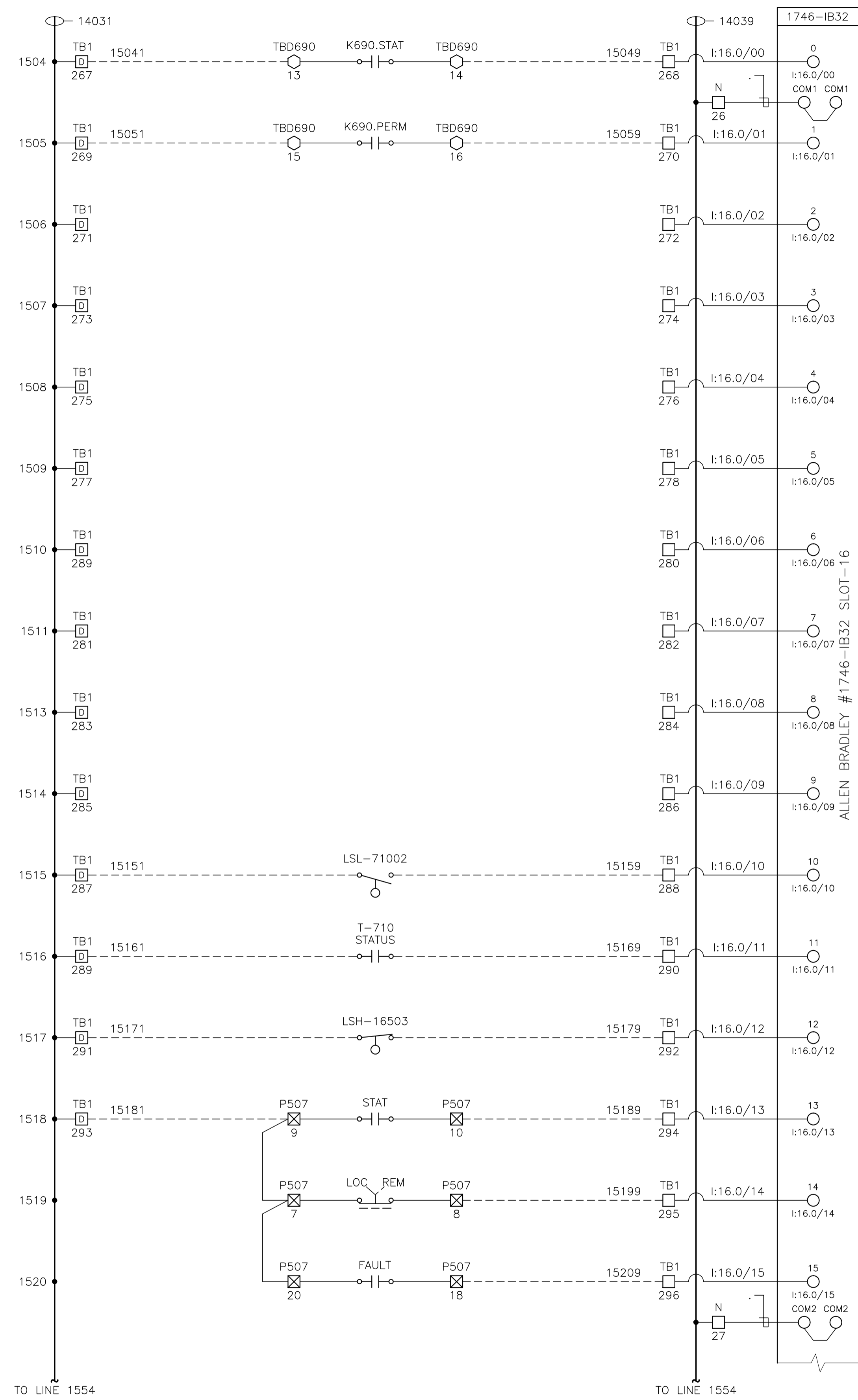
GENERAL NOTES:

- "POST CONSTRUCTION DRAWINGS" ARE GENERATED FROM CONSTRUCTION CHANGE INFORMATION FORWARDED TO BOWER DAMBERGER ROLSETH ENGINEERING LTD. BY THE OWNER'S FIELD SUPERVISORS AND/OR FIELD CONTRACTORS. ANY CHANGES NOT DOCUMENTED WILL NOT APPEAR ON THE DRAWINGS AND THEREFORE THE DRAWING MAY NOT BE AN ACCURATE REPRESENTATION OF THE CONSTRUCTED FACILITY.
- PRIOR TO THE COMMENCEMENT OF ANY CONSTRUCTION AND/OR EXCAVATION IT SHALL BE THE RESPONSIBILITY OF THE OWNER'S REPRESENTATIVE TO VERIFY THE LOCATION AND STATUS OF ANY PIPING, ELECTRICAL EQUIPMENT OR BUILDINGS.
- ANY REVISIONS MADE TO EXISTING EQUIPMENT, PIPING OR ELECTRICAL ON A FACILITY NOT DESIGNED BY B.D.R. ENG. LTD. IS ONLY SHOWN AS A REPRESENTATION OF WHAT EXISTS AND MUST BE VERIFIED BY THE OWNER.

DRN.	BY	DATE
CHK.	PC	04.08.23
APP'D.		
L.S.D.	15-10-62-06	WSM



FORT ENERGY CORPORATION		
CORBETT GAS PLANT		
24Vdc CONTROL SCHEMATICS		
SCALE	DRAWING NUMBER	REV
N/A	D-23212-E-07-025	4



K-690 REFRIGERANT COMPRESSOR PANEL STATUS

K-690 REFRIGERANT COMPRESSOR MOTOR PERMIT

T-710 GLYCOL DRAIN TANK LOW LEVEL

T-710 GLYCOL DRAIN TANK EMERSION HEATER STATUS

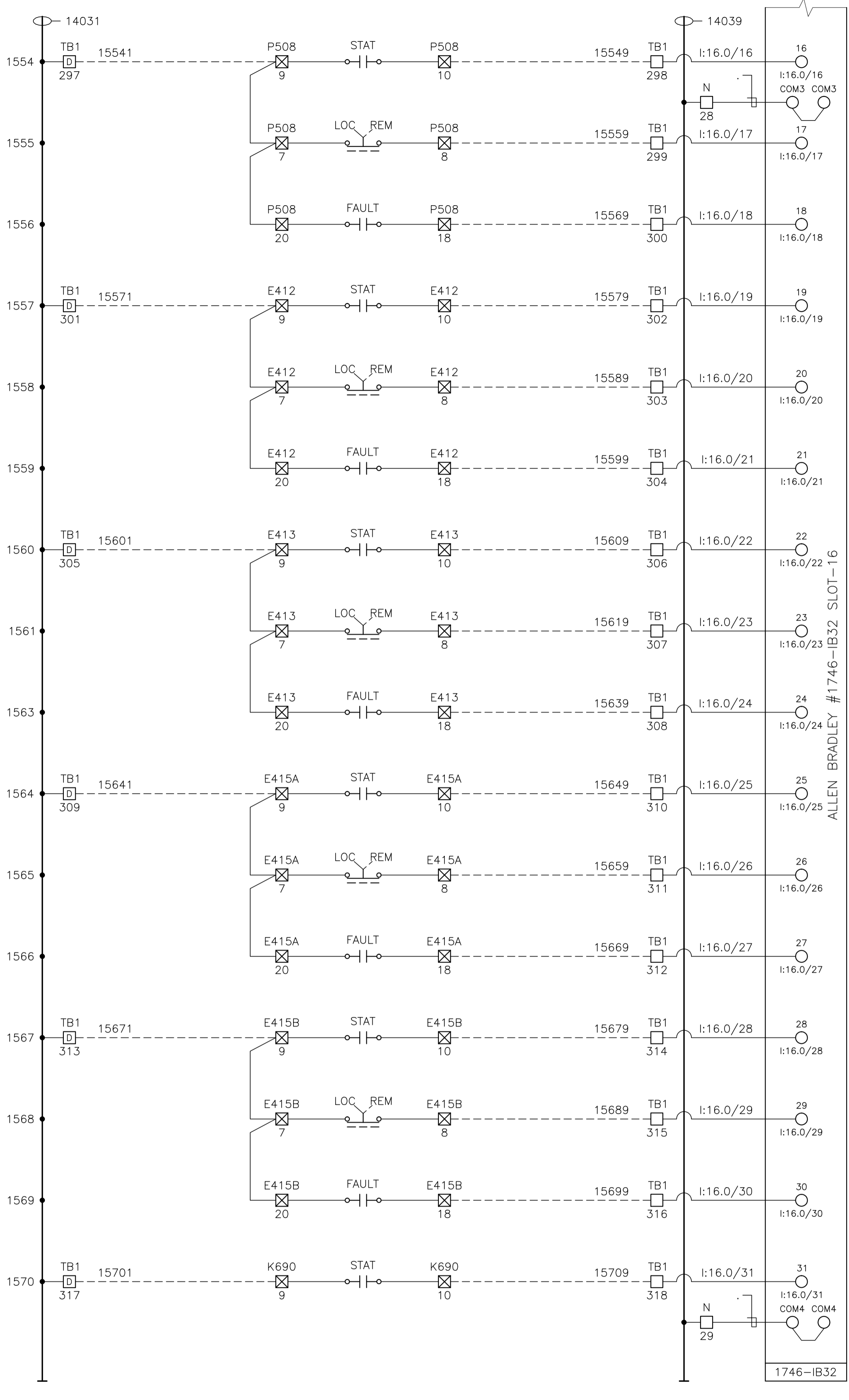
V-165 REFRIDGE FUEL GAS SCRUBBER HUGH LEVEL

P-507 GLYCOL INJECTION PUMP STATUS

P-507 GLYCOL INJECTION PUMP LOCAL/REMOTE

P-507 GLYCOL INJECTION PUMP VFD FAULT

ALLEN BRADLEY #1746-IB32 SLOT-16



P-508 GLYCOL INJECTION PUMP STATUS

P-508 GLYCOL INJECTION PUMP LOCAL/REMOTE

P-508 GLYCOL INJECTION PUMP VFD FAULT

K-670 COMPRESSOR E-412 COOLER FAN STATUS

K-670 COMPRESSOR E-412 COOLER FAN LOCAL/REMOTE

K-670 COMPRESSOR E-412 COOLER FAN VFD FAULT

K-680 COMPRESSOR E-413 COOLER FAN STATUS

K-680 COMPRESSOR E-413 COOLER FAN LOCAL/REMOTE

K-680 COMPRESSOR E-413 COOLER FAN VFD FAULT

E-415A REFRIGERANT CONDENSER FAN #1 STATUS

E-415A REFRIGERANT CONDENSER FAN #1 LOCAL/REMOTE

E-415A REFRIGERANT CONDENSER FAN #1 VFD FAULT

E-415B REFRIGERANT CONDENSER FAN #2 STATUS

E-415B REFRIGERANT CONDENSER FAN #2 LOCAL/REMOTE

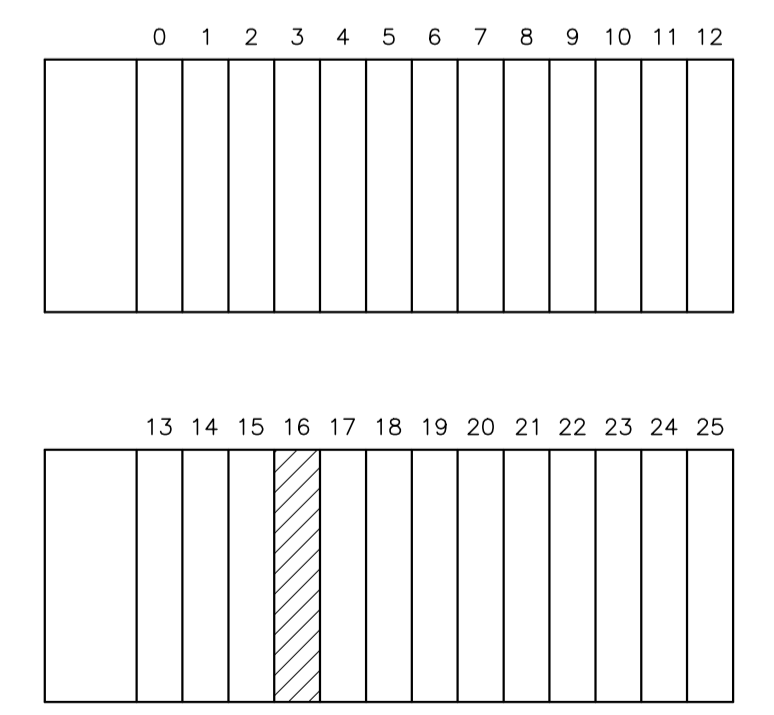
E-415B REFRIGERANT CONDENSER FAN #2 VFD FAULT

K-690 REFRIGERANT COMPRESSOR STATUS

ALLEN BRADLEY #1746-IB32 SLOT-16

CONTROL SCHEMATICS -- LEGEND

- TS MAIN CONTROL PANEL TERMINAL
 - STANDARD TERMINAL
 - ⊠ DISCONNECT TYPE TERMINAL
 - ⊡ FUSED TERMINAL
 - MANUFACTURED EQUIPMENT TERMINAL
 - ⊞ CONTACTOR PANEL TERMINAL
 - ⊟ MOTOR CONTROL CENTER TERMINAL
 - ⊠ FIELD/SKID JUNCTION BOX TERMINAL
- TAG SERVICE
- TBL 120VAC UTILITIES
- TBD 24VDC CONTROL
- TBA ANALOG
- TAG# FIELD/SKID J.BOX
- 180 V-180 INLET BLDG.
- 182 V-182 BLOWCASE BLDG.
- 650 K-650 BOOSTER COMPRESSOR BLDG.
- 620 K-620 COMPRESSOR BLDG.
- 630 K-630 COMPRESSOR BLDG.
- 670 K-670 COMPRESSOR BLDG.
- 680 K-680 COMPRESSOR BLDG.
- 300 C-300 AMINE BLDG.
- 640 K-640 REFRIGERATION BLDG.
- 690 K-690 REFRIGERATION BLDG.
- 711 T-711 SOUTH TANK FARM AREA
- 701 T-701 NORTH TANK FARM AREA
- 709 FLARE K.O. DRUM BLDG.



NO.	REVISION	PROJECT	DSN	DRN	CHK'D	APP'D	DATE
3	POST CONSTRUCTION REVISIONS	43884	BGO	SRM			06.02.14
2	2005 EXPANSION ISSUED FOR CONSTRUCTION	43884	BGO	FC	BGO	RLB	05.10.19
1	2005 EXPANSION ISSUED FOR BID	43884	BGO	FC	BGO		05.09.26
0	2005 EXPANSION ISSUED FOR APPROVAL	43884	BGO	FC	BGO		05.09.06

PERMIT STAMP:	STAMP APPLIED TO REV. 2 ONLY
---------------	------------------------------

GENERAL NOTES:

1. "POST CONSTRUCTION DRAWINGS" ARE GENERATED FROM CONSTRUCTION CHANGE INFORMATION FORWARDED TO BOWER DAMBERGER ROLSETH ENGINEERING LTD. BY THE OWNER'S FIELD SUPERVISORS AND/OR BIDDING CONTRACTORS. ANY CHANGES NOT DOCUMENTED WILL NOT APPEAR ON THE DRAWINGS AND THEREFORE THE DRAWING MAY NOT BE AN ACCURATE REPRESENTATION OF THE CONSTRUCTED FACILITY.

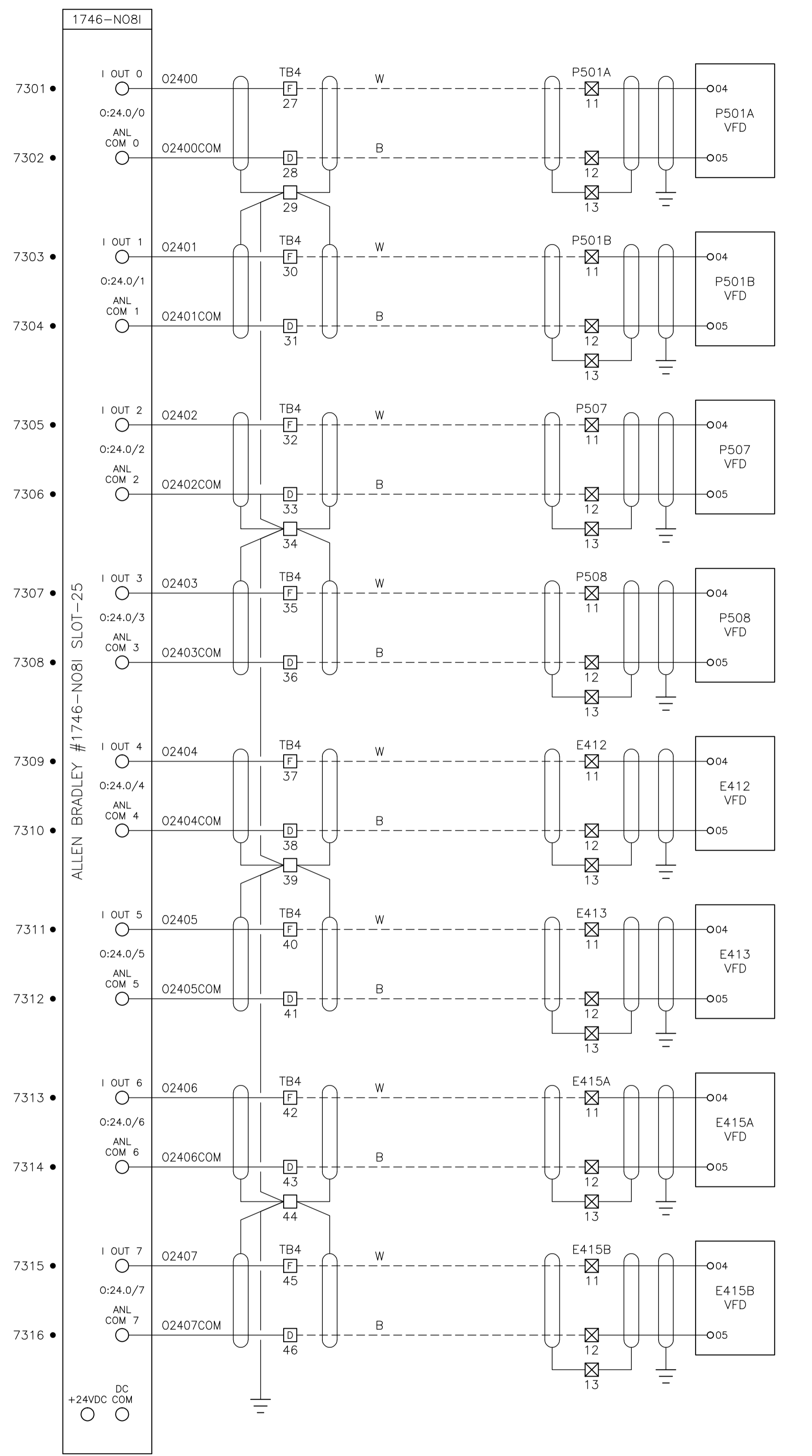
2. PRIOR TO THE COMMENCEMENT OF ANY CONSTRUCTION AND/OR EXCAVATION IT SHALL BE THE RESPONSIBILITY OF THE OWNER'S REPRESENTATIVE TO VERIFY THE LOCATION AND STATUS OF ANY PIPING, ELECTRICAL, EQUIPMENT OR BUILDINGS.

3. ANY REVISIONS MADE TO EXISTING EQUIPMENT, PIPING OR ELECTRICAL ON A FACILITY NOT DESIGNED BY B.D.R. ENG. LTD. IS ONLY SHOWN AS A REPRESENTATION OF WHAT EXISTS AND MUST BE VERIFIED BY THE OWNER.

DESIGN	BY	DATE
BGO	BGO	05.08.29
FC	FC	05.08.29
BGO	BGO	05.10.19
RLB	RLB	05.10.19
L.S.D. 15-10-62-06 W5M		



FORT ENERGY CORPORATION		
CORBETT GAS PLANT 24Vdc CONTROL SCHEMATICS		
SCALE	DRAWING NUMBER	REV
N/A	D-23212-E-07-026	3



P-501A
AMINE PUMP
SPEED CONTROL

P-501B
AMINE PUMP
SPEED CONTROL

P-507
GLYCOL INJECTION PUMP
SPEED CONTROL

P-508
GLYCOL INJECTION PUMP
SPEED CONTROL

K-670 COMPRESSOR
E-412 COOLER FAN
SPEED CONTROL

K-680 COMPRESSOR
E-413 COOLER FAN
SPEED CONTROL

E-415A REFRIGERANT
CONDENSER FAN #1
SPEED CONTROL

E-415B REFRIGERANT
CONDENSER FAN #2
SPEED CONTROL

ALL FUSES TO BE 500mA.

CONTROL SCHEMATICS -- LEGEND

- TS MAIN CONTROL PANEL TERMINAL
 - STANDARD TERMINAL
 - DISCONNECT TYPE TERMINAL
 - FUSED TERMINAL
 - MANUFACTURED EQUIPMENT TERMINAL
 - CONTACTOR PANEL TERMINAL
 - MOTOR CONTROL CENTER TERMINAL
 - FIELD/SKID JUNCTION BOX TERMINAL
- JAG SERVICE
- TBL 120VAC UTILITIES
- TBD 24VDC CONTROL
- TBA ANALOG
- JAG# FIELD/SKID J.BOX
- 180 V-180 INLET BLDG.
- 182 V-182 BLOWCASE BLDG.
- 650 K-650 BOOSTER COMPRESSOR BLDG.
- 620 K-620 COMPRESSOR BLDG.
- 630 K-630 COMPRESSOR BLDG.
- 670 K-670 COMPRESSOR BLDG.
- 680 K-680 COMPRESSOR BLDG.
- 300 C-300 AMINE BLDG.
- 640 K-640 REFRIGERATION BLDG.
- 690 K-690 REFRIGERATION BLDG.
- 711 T-711 SOUTH TANK FARM AREA
- 701 T-701 NORTH TANK FARM AREA
- 709 FLARE K.O. DRUM BLDG.

0	1	2	3	4	5	6	7	8	9	10	11	12
13	14	15	16	17	18	19	20	21	22	23	24	25

NO.	REVISION	PROJECT	DSN	DRN	CHK'D	APP'D	DATE
4	POST CONSTRUCTION REVISIONS	43884	BGO	SRM			06.02.14
3	2005 EXPANSION ISSUED FOR CONSTRUCTION	43884	BGO	FC	BGO	RLB	05.10.19
2	2005 EXPANSION ISSUED FOR BID	43884	BGO	FC	BGO		05.09.26
1	2005 EXPANSION ISSUED FOR APPROVAL	43884	BGO	FC	BGO		05.09.06
0	POST CONSTRUCTION REVISIONS	43733	BGO	FC	BGO		05.09.06

PERMIT STAMP:

STAMP APPLIED TO REV. 3 ONLY

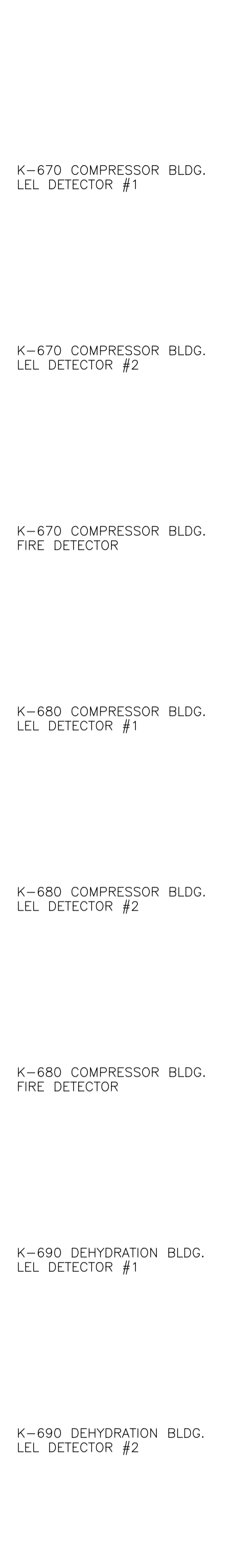
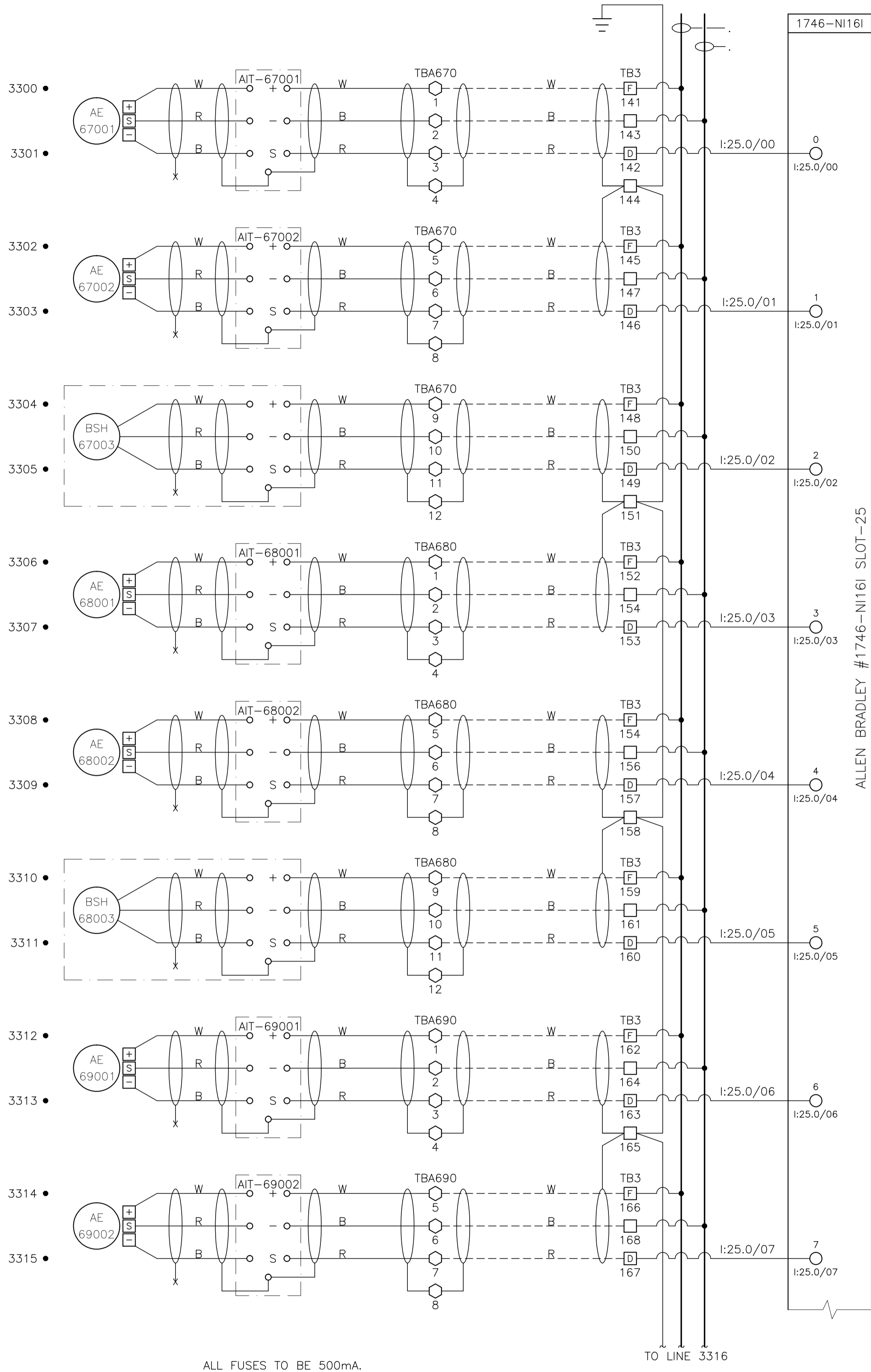
GENERAL NOTES:

- "POST CONSTRUCTION DRAWINGS" ARE GENERATED FROM CONSTRUCTION CHANGE INFORMATION FORWARDED TO BOWER DAMBERGER ROLSETH ENGINEERING LTD. BY THE OWNER'S FIELD SUPERVISORS AND/OR FIELD CONTRACTORS. ANY CHANGES NOT DOCUMENTED WILL NOT APPEAR ON THE DRAWINGS AND THEREFORE THE DRAWING MAY NOT BE AN ACCURATE REPRESENTATION OF THE CONSTRUCTED FACILITY.
- PRIOR TO THE COMMENCEMENT OF ANY CONSTRUCTION AND/OR EXCAVATION IT SHALL BE THE RESPONSIBILITY OF THE OWNER'S REPRESENTATIVE TO VERIFY THE LOCATION AND STATUS OF ANY PIPING, ELECTRICAL, EQUIPMENT OR BUILDINGS.
- ANY REVISIONS MADE TO EXISTING EQUIPMENT, PIPING OR ELECTRICAL ON A FACILITY NOT DESIGNED BY B.D.R. ENG. LTD. IS ONLY SHOWN AS A REPRESENTATION OF WHAT EXISTS AND MUST BE VERIFIED BY THE OWNER.

DESIGN	BY	DATE
DRAWN	BGO	05.08.29
CHK'D	BGO	05.10.19
APP'D	RLB	05.10.19
L.S.D.	15-10-62-06 WSM	



FORT ENERGY CORPORATION		
CORBETT GAS PLANT 24Vdc CONTROL SCHEMATICS		
SCALE	DRAWING NUMBER	REV
N/A	D-23212-E-07-027	4

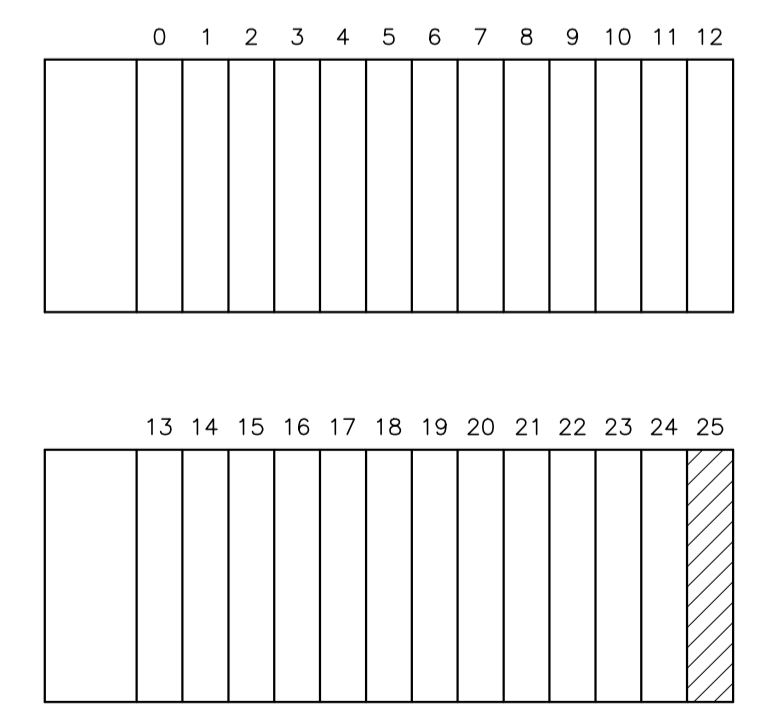


ALL FUSES TO BE 500mA.
EXCEPT FIRE EYES ARE TO BE 1000mA.

ALL FUSES TO BE 500mA.
EXCEPT FIRE EYES ARE TO BE 1000mA.

CONTROL SCHEMATICS -- LEGEND

- TS MAIN CONTROL PANEL TERMINAL
- STANDARD TERMINAL
- DISCONNECT TYPE TERMINAL
- FUSED TERMINAL
- MANUFACTURED EQUIPMENT TERMINAL
- CONTACTOR PANEL TERMINAL
- MOTOR CONTROL CENTER TERMINAL
- FIELD/SKID JUNCTION BOX TERMINAL
- TAG SERVICE
- TBL 120VAC UTILITIES
- TBD 24VDC CONTROL
- TBA ANALOG
- TAG# FIELD/SKID J.BOX
- 180 V-180 INLET BLDG.
- 182 V-182 BLOWCASE BLDG.
- 650 K-650 BOOSTER COMPRESSOR BLDG.
- 620 K-620 COMPRESSOR BLDG.
- 630 K-630 COMPRESSOR BLDG.
- 670 K-670 COMPRESSOR BLDG.
- 680 K-680 COMPRESSOR BLDG.
- 300 C-300 AMINE BLDG.
- 640 K-640 REFRIGERATION BLDG.
- 690 K-690 REFRIGERATION BLDG.
- 711 T-711 SOUTH TANK FARM AREA
- 701 T-701 NORTH TANK FARM AREA
- 709 FLARE K.O. DRUM BLDG.



NO.	REVISION	PROJECT	DSN	DRN	CHK'D	APP'D	DATE
3	POST CONSTRUCTION REVISIONS	43884	BGO	SRM			06.02.14
2	2005 EXPANSION ISSUED FOR CONSTRUCTION	43884	BGO	FC	BGO	RLB	05.10.19
1	2005 EXPANSION ISSUED FOR BID	43884	BGO	FC	BGO		05.09.26
0	2005 EXPANSION ISSUED FOR APPROVAL	43884	BGO	FC	BGO		05.09.06

PERMIT STAMP:	
STAMP APPLIED TO REV. 2 ONLY	

GENERAL NOTES:
 1. "POST CONSTRUCTION DRAWINGS" ARE GENERATED FROM CONSTRUCTION CHANGE INFORMATION FORWARDED TO BOWER DAMBERGER ROLSETH ENGINEERING LTD. BY THE OWNER'S FIELD SUPERVISORS AND/OR BIDDING CONTRACTORS. ANY CHANGES NOT DOCUMENTED WILL NOT APPEAR ON THE DRAWINGS AND THEREFORE THE DRAWING MAY NOT BE AN ACCURATE REPRESENTATION OF THE CONSTRUCTED FACILITY.
 2. PRIOR TO THE COMMENCEMENT OF ANY CONSTRUCTION AND/OR EXCAVATION IT SHALL BE THE RESPONSIBILITY OF THE OWNER'S REPRESENTATIVE TO VERIFY THE LOCATION AND STATUS OF ANY PIPING, ELECTRICAL, EQUIPMENT OR BUILDINGS.
 3. ANY REVISIONS MADE TO EXISTING EQUIPMENT, PIPING OR ELECTRICAL ON A FACILITY NOT DESIGNED BY B.D.R. ENG. LTD. IS ONLY SHOWN AS A REPRESENTATION OF WHAT EXISTS AND MUST BE VERIFIED BY THE OWNER.

DESIGN	BY	DATE
DRAWN	BGO	05.08.29
CHK'D	BGO	05.08.29
APP'D	RLB	05.10.19
L.S.D.	15-10-62-06	W5M



FORT ENERGY CORPORATION		
CORBETT GAS PLANT 24Vdc CONTROL SCHEMATICS		
SCALE	DRAWING NUMBER	REV
N/A	D-23212-E-07-028	3

LEGEND
O - ENABLE
X - DISABLE

- NOTES:
- THREE SECOND DELAY BEFORE ACTION.
 - FIFTEEN SECOND DELAY BEFORE ACTION.
 - LEAD/LAG LOGIC ON THESE PUMPS. IF LEAD PUMP GOES DOWN START LAG PUMP.
 - IMMEDIATE ANNUNCIATION AND CALLOUT, TWO HOUR DELAY BEFORE REFRIGDIE COMP. SHUTDOWN.
 - AUTO RESTART AFTER 480 VAC POWER FAULT.
 - FIVE MINUTE DELAY BEFORE SHUTDOWN AFTER REFRIGDIE GOES DOWN.
 - OPERATOR SETTABLE DELAY TIME BEFORE ACTION.
 - LOW LEVEL SWITCH, LSL-18005, MUST INITIALLY BE CLEARED BEFORE BECOMING ACTIVE.
 - CLOSE CONDENSATE DUMP VALVE, LCV-18015, AND FORCE WATER DUMP VALVE, LCV-18013, 100% OPEN. RETURN TO NORMAL OPERATION WHEN LSH-11808 CLEARS, RESET NOT REQUIRED.
 - AT LEAST ONE FAN MUST BE RUNNING TO MAINTAIN AREA CLASSIFICATION. IF BOTH FANS ARE SHUT DOWN, THE COMPRESSOR WILL BE SHUT DOWN AND POWER REMOVED FROM PANELS.

- SAV-18013 IS DE-ENERGIZED/ENERGIZED AT OPERATOR SETPOINT, RESET NOT REQUIRED.
- IF LCV-19105 CYCLES THE PRESET NUMBER OF TIMES IN THE PRESET TIME SPAN, START ANTIFOAM PUMP. IF LCV-19105 STAYS OPEN LONGER THAN A PRESET TIME SHUT DOWN AMINE PLANT.
- COMPRESSOR BUILDING PURGE FANS SHUT DOWN FIFTEEN MINUTES AFTER THE COMPRESSOR SHUTS DOWN TO MAINTAIN HEAT IN BUILDING. PLANT RESET WILL ENABLE A FIFTEEN MINUTE TIMER DURING WHICH THE COMPRESSOR PANEL STATUS MUST BE RETURNED TO NORMAL.
- FIFTEEN MINUTE DELAY BEFORE ACTION.
- TEN SECOND DELAY BEFORE ALARMING, FIVE MINUTE DELAY BEFORE SHUTDOWN.
- BYPASSED DURING STARTUP FOR FIFTEEN SECONDS.

NO.	REVISION	PROJ. No.	BY	DATE	CHK.	DATE
15	POST CONSTRUCTION REVISION	43884	KBG	06.06.19	KBG	06.06.19
14	2005 PLANT EXPANSION - PLC ADDRESS CHANGES	43884	KBG	05.10.19	KBG	05.10.19
13	2005 PLANT EXPANSION	43884	KBG	05.09.28	KBG	05.09.28
12	FIELD MARKUPS - POST CONSTRUCTION REVISION	43733	KBG	05.03.04	KBG	05.03.04
11	POST CONSTRUCTION REVISION	43733	KBG	05.01.21	KBG	05.01.21
10	GAS PLANT ADDITION - ISSUED FOR PLC PROGRAMMING	43733	KBG	04.11.08	KBG	04.11.08
9	GAS PLANT ADDITION - GENERAL REVISIONS	43733	KBG	04.11.02	KBG	04.11.02
8	GAS PLANT ADDITION - ISSUED FOR APPROVAL	43733	KBG	04.10.14	KBG	04.10.20
7	K-620 COMPRESSOR ADDITION - GENERAL REVISION	33406	KBG	03.05.21	KBG	03.05.21

GENERAL NOTES:

1. "As Billed" means that the contractor shall submit a bill of materials for the work performed. The bill of materials shall be submitted to the client for approval. The bill of materials shall be submitted to the client within 10 days of the completion of the work.
2. The contractor shall be responsible for obtaining all necessary permits and licenses for the work.
3. The contractor shall be responsible for obtaining all necessary insurance for the work.
4. The contractor shall be responsible for obtaining all necessary safety training for the work.
5. The contractor shall be responsible for obtaining all necessary safety equipment for the work.
6. The contractor shall be responsible for obtaining all necessary safety procedures for the work.
7. The contractor shall be responsible for obtaining all necessary safety signs for the work.
8. The contractor shall be responsible for obtaining all necessary safety barriers for the work.
9. The contractor shall be responsible for obtaining all necessary safety lighting for the work.
10. The contractor shall be responsible for obtaining all necessary safety communication for the work.

DRN.	BY	DATE
CHK.	KBG	03.01.10
APP'D.		
L.S.D.	15-10-62-06 WSM	



FORT ENERGY CORPORATION

CORBETT GAS PLANT SHUTDOWN KEY

SCALE	DRAWING NUMBER	REV
N/A	D-23212-E-08-001	15

DEVICE	NOTES	PLC ADDRESS
SAV-18002 V-180 H. P. INLET SEP. ESD VALVE		0:9/0/0
SAV-18013 V-180 H. P. INLET SEP. WATER OUTLET VALVE		0:9/0/1
SAV-18015 V-180 H. P. INLET SEP. CONDENSATE OUTLET VALVE		0:9/0/2
SAV-19001 AMINE SYSTEM INLET ESD VALVE		0:9/0/4
SAV-19002 AMINE SYSTEM BYPASS VALVE		0:9/0/5
SAV-06 SALES GAS ESD VALVE		0:9/0/15
SAV-07 BUY BACK GAS ESD VALVE		0:9/0/16
SAV-18016 H. P. INLET BLOWDOWN VALVE		0:9/0/17
SAV-47071 SALES GAS BLOWDOWN VALVE		0:9/0/18
SAV-47072 SALES GAS BLOWDOWN VALVE		0:9/0/19
SAV-47073 SALES GAS BLOWDOWN VALVE		0:9/0/20
SAV-41701 E-417 O.H. BLOWDOWN VALVE (K-690 REF.)		0:15/0/27
K-2113 K-660A INSTRUMENT AIR COMP CONTROL		0:11/0/08
R-2114 K-660B INSTRUMENT AIR COMP CONTROL		0:11/0/09
R-2055 K-650 BOOSTER COMPRESSOR REMOTE SHUTDOWN		0:10/0/01
R-2054 K-650 BOOSTER COMP. DC PANEL PWR. CONTROL		0:10/0/00
C-2256 K-650 BOOSTER COMP. AC PANEL PWR. CONTROL		0:14/0/02
R-2119 P-500 LUBE OIL PUMP MOTOR CONTROL		0:11/0/14
R-2058 K-620 PROCESS COMPRESSOR REMOTE SHUTDOWN		0:10/0/04
R-2057 K-620 PROCESS COMPRESSOR PANEL PWR. CONTROL		0:10/0/03
R-2056 K-620 PROCESS COMPRESSOR IGV. POWER CONTROL		0:10/0/02
R-2210 K-670 PROCESS COMPRESSOR REMOTE SHUTDOWN		0:13/0/06
R-2208 K-670 PROCESS COMPRESSOR PANEL PWR. CONTROL		0:13/0/05
R-2209 K-670 PROCESS COMPRESSOR IGV. POWER CONTROL		0:13/0/04
R-2308 K-670 PROCESS COMP. E-412 COOLER MOTOR CONTROL		0:15/0/04
R-2214 K-660 PROCESS COMPRESSOR REMOTE SHUTDOWN		0:13/0/09
R-2211 K-660 PROCESS COMPRESSOR PANEL PWR. CONTROL		0:13/0/08
R-2213 K-660 PROCESS COMPRESSOR IGV. POWER CONTROL		0:13/0/07
R-2309 K-660 PROCESS COMP. E-413 COOLER MOTOR CONTROL		0:15/0/05
R-2106 E-403 TRIM COOLER CONTROL		0:11/0/02
R-2107 P-503A AMINE BOOSTER PUMP CONTROL		0:11/0/03
R-2108 P-503B AMINE BOOSTER PUMP CONTROL		0:11/0/04
R-2104 P-501A H.P. AMINE CHARGE PUMP CONTROL		0:11/0/00
R-2105 P-501B H.P. AMINE CHARGE PUMP CONTROL		0:11/0/01
C-2261 P-502 ANTIFOAM CHEMICAL PUMP CONTROL		0:14/0/07
R-2110 P-505 AMINE/WATER MAKEUP PUMP CONTROL		0:11/0/06
R-2111 E-405 REFLUX COND./E-406 AMINE COOLER CONTROL		0:11/0/07
R-2065 H-800 AMINE REBOILER BURNER CONTROL (NAGY)		0:10/0/10
SAV-48003 E-408 GAS CHILLER LCV-48003		0:9/0/11
R-2064 K-640 REFRIGDIE COMP. REMOTE SHUTDOWN		0:10/0/09
R-2063 K-640 REFRIGDIE COMP. PANEL CONTROL		0:10/0/08
R-2118 K-640 REFRIGDIE COMP. MOTOR CONTROL		0:11/0/13
C-2206 K-640 REFRIGDIE COMP. IMERSION HEATER CONTROL		0:13/0/02
R-2116 E-409A REF. COND./E-411A COOLER MOTOR CONTROL		0:11/0/10
R-2116 E-409B REF. COND./E-411B COOLER MOTOR CONTROL		0:11/0/11
SAV-70103 C-303 STABILIZER LCV-30303		0:9/0/12

LEGEND
 O - ENABLE
 X - DISABLE

- NOTES:**
- THREE SECOND DELAY BEFORE ACTION.
 - FIFTEEN SECOND DELAY BEFORE ACTION.
 - LEAD/LAG LOGIC ON THESE PUMPS. IF LEAD PUMP GOES DOWN START LAG PUMP.
 - IMMEDIATE ANNUNCIATION AND CALLOUT, TWO HOUR DELAY BEFORE REFRIGIDE COMP. SHUTDOWN.
 - AUTO RESTART AFTER 480 VAC POWER FAULT.
 - FIVE MINUTE DELAY BEFORE SHUTDOWN AFTER REFRIGIDE GOES DOWN.
 - OPERATOR SETTABLE DELAY TIME BEFORE ACTION.
 - LOW LEVEL SWITCH, LSL-18005, MUST INITIALLY BE CLEARED BEFORE BECOMING ACTIVE.
 - CLOSE CONDENSATE DUMP VALVE, LCV-18015, AND FORCE WATER DUMP VALVE, LCV-18013, 100% OPEN. RETURN TO NORMAL OPERATION WHEN LSH-11808 CLEARS, RESET NOT REQUIRED.
 - AT LEAST ONE FAN MUST BE RUNNING TO MAINTAIN AREA CLASSIFICATION. IF BOTH FANS ARE SHUT DOWN, THE COMPRESSOR WILL BE SHUT DOWN AND POWER REMOVED FROM PANELS.

- SAV-18013 IS DE-ENERGIZED/ENERGIZED AT OPERATOR SETPOINT, RESET NOT REQUIRED.
- IF LCV-19105 CYCLES THE PRESET NUMBER OF TIMES IN THE PRESET TIME SPAN, START ANTIFOAM PUMP. IF LCV-19105 STAYS OPEN LONGER THAN A PRESET TIME SHUT DOWN AMINE PLANT.
- COMPRESSOR BUILDING PURGE FANS SHUT DOWN FIFTEEN MINUTES AFTER THE COMPRESSOR SHUTS DOWN TO MAINTAIN HEAT IN BUILDING. PLANT RESET WILL ENABLE A FIFTEEN MINUTE TIMER DURING WHICH THE COMPRESSOR PANEL STATUS MUST BE RETURNED TO NORMAL.
- FIFTEEN MINUTE DELAY BEFORE ACTION.
- TEN SECOND DELAY BEFORE ALARMING, FIVE MINUTE DELAY BEFORE SHUTDOWN.
- BYPASSED DURING STARTUP FOR FIFTEEN SECONDS.

NO.	REVISION	PROJ. No.	BY	DATE	CHK.	DATE
15	POST CONSTRUCTION REVISION	43884	KGB	06.06.19	KGB	06.06.19
14	2005 PLANT EXPANSION - PLC ADDRESS CHANGES	43884	KGB	05.10.19	KGB	05.10.19
13	2005 PLANT EXPANSION	43884	KGB	05.09.28	KGB	05.09.28
12	FIELD MARKUPS - POST CONSTRUCTION REVISION	43733	KGB	05.03.04	KGB	05.03.04
11	POST CONSTRUCTION REVISION	43733	KGB	05.01.21	KGB	05.01.21
10	GAS PLANT ADDITION - ISSUED FOR PLC PROGRAMMING	43733	KGB	04.11.08	KGB	04.11.08
9	GAS PLANT ADDITION - GENERAL REVISIONS	43733	KGB	04.11.02	KGB	04.11.02
8	GAS PLANT ADDITION - ISSUED FOR APPROVAL	43733	KGB	04.10.14	KGB	04.10.20
7	K-620 COMPRESSOR ADDITION - GENERAL REVISION	33406	KGB	03.05.21	KGB	03.05.21

DRN.	BY	DATE
CHK.	KGB	03.01.10
APP'D.		
L.S.D.	15-10-62-06 WSM	



FORT ENERGY CORPORATION		
CORBETT GAS PLANT SHUTDOWN KEY		
SCALE	DRAWING NUMBER	REV
N/A	D-23212-E-08-003	15

GENERAL NOTES:

- "Post construction revision" and "revision" are used to describe changes to the design that are not part of the original design. They are used to describe changes that are made after the design has been completed.
- "Revision" is used to describe changes that are made to the design before it is completed. They are used to describe changes that are made to the design before it is completed.
- "Post construction revision" is used to describe changes that are made to the design after it has been completed. They are used to describe changes that are made to the design after it has been completed.

LEGEND

O - ENABLE
X - DISABLE

- NOTES:
1. THREE SECOND DELAY BEFORE ACTION.
2. FIFTEEN SECOND DELAY BEFORE ACTION.
3. LEAD/LAG LOGIC ON THESE PUMPS. IF LEAD PUMP GOES DOWN START LAG PUMP.
4. IMMEDIATE ANNUNCIATION AND CALLOUT, TWO HOUR DELAY BEFORE REFRIDGE COMP. SHUTDOWN.
5. AUTO RESTART AFTER 480 VAC POWER FAULT.
6. FIVE MINUTE DELAY BEFORE SHUTDOWN AFTER REFRIDGE GOES DOWN.
7. OPERATOR SWITCHABLE DELAY TIME BEFORE ACTION.
8. LOW LEVEL SWITCH, LSL-18005, MUST INITIALLY BE CLEARED BEFORE BECOMING ACTIVE.
9. CLOSE CONDENSATE DUMP VALVE, LCV-18015, AND FORCE WATER DUMP VALVE, LCV-18013, 100% OPEN. RETURN TO NORMAL OPERATION WHEN LSH-11808 CLEARS, RESET NOT REQUIRED.
10. AT LEAST ONE FAN MUST BE RUNNING TO MAINTAIN AREA CLASSIFICATION. IF BOTH FANS ARE SHUT DOWN, THE COMPRESSOR WILL BE SHUT DOWN AND POWER REMOVED FROM PANELS.

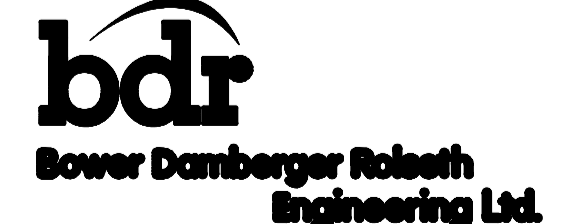
- 11. SAV-18013 IS DE-ENERGIZED/ENERGIZED AT OPERATOR SETPOINT, RESET NOT REQUIRED.
12. IF LCV-19105 CYCLES THE PRESET NUMBER OF TIMES IN THE PRESET TIME SPAN, START ANTIFOAM PUMP. IF LCV-19105 STAYS OPEN LONGER THAN A PRESET TIME SHUT DOWN AMINE PLANT.
13. COMPRESSOR BUILDING PURGE FANS SHUT DOWN FIFTEEN MINUTES AFTER THE COMPRESSOR SHUTS DOWN TO MAINTAIN HEAT IN BUILDING. PLANT RESSET WILL ENABLE A FIFTEEN MINUTE TIMER DURING WHICH THE COMPRESSOR PANEL STATUS MUST BE RETURNED TO NORMAL.
14. FIFTEEN MINUTE DELAY BEFORE ACTION.
15. TEN SECOND DELAY BEFORE ALARMING, FIVE MINUTE DELAY BEFORE SHUTDOWN.
16. BYPASSED DURING STARTUP FOR FIFTEEN SECONDS.

Main table containing columns for Device, Notes, PLC Address, and a 16-bit status grid for each device. Devices include various pumps, fans, and control systems.

Table with 4 columns: NO., REVISION, PROJ. No., and DATE. Contains a list of revisions and dates for the project.

Table with 4 columns: PROJ. No., BY, DATE, and CHK. Contains a list of project approvals and dates.

Table with 3 columns: BY, DATE, and APP'D. Contains a list of approvals and dates.



Project information block including FORT ENERGY CORPORATION, CORBETT GAS PLANT SHUTDOWN KEY, SCALE, DRAWING NUMBER, REV, and a title block.

GENERAL NOTES:
1. THIS DRAWING IS A PART OF THE PROJECT...

LPA					
DESCRIPTION	BREAKER SIZE	CIRCUIT	DESCRIPTION	BREAKER SIZE	CIRCUIT
OUTSIDE LIGHTS/PHOTO EYE	20	1	2 15 CONTROL PANEL RECEPTACLE/LIGHT		
OUTSIDE LIGHTS	20	3	4 15 PLANET ALARM HORN		
FLOODLIGHT FL-100	20	5	6 20 MCC BLDG. EX. FAN #1		
FLOODLIGHT FL-101	20	7	8 20 MCC BLDG. EX. FAN #2		
FLOODLIGHT FL-102	20	9	10 15 MCC LIGHTS		
FLOODLIGHT FL-103	20	11	12 30 UPS BATTERY CHARGER		
FLOODLIGHT FL-104	20	13	14 15		
BUILDING OUTSIDE LIGHTS	20	15	16 15 K-620 COMP. BLDG. INSIDE LIGHTS		
MCC INSIDE LIGHTS	20	17	18 15 K-620 COMP. BLDG. RECEPTACLE		
MCC RECEPTACLE	20	19	20 20 K-620 COMP. BLDG. EX. FAN #1		
V-180 INLET SEP. BLDG. INSIDE LIGHTS/RECEPT.	15	21	22 20 K-620 COMP. BLDG. EX. FAN #2		
V-180 INLET SEP. BLDG. EX. FAN	15	23	24 15 K-620 COMP. BLDG. CAT HTR. #1, #2, #3		
V-180 INLET SEP. BLDG. CAT HTR. #1, #2	20	25	26 15 K-620 CEILING EX. FAN #1		
K-650 BOOSTER COMP. BLDG. EX. FAN #1	15	27	28 15 K-620 CEILING EX. FAN #2		
K-650 BOOSTER COMP. BLDG. EX. FAN #2	15	29	30 15 K-630 COMP. BLDG. INSIDE LIGHTS		
K-650 BOOSTER COMP. BLDG. PANEL POWER	15	31	32 15 K-630 COMP. BLDG. RECEPTACLE		
K-650 BOOSTER COMP. BLDG. CAT HTRS.	15	33	34 20 K-630 COMP. BLDG. EX. FAN #1		
K-650 INSIDE LIGHTS/RECEPTACLE	15	35	36 20 K-630 COMP. BLDG. EX. FAN #2		
V-182 BLOWCASE COMP. BLDG. INSIDE LGTS/REC.	15	37	38 15 K-630 COMP. BLDG. CAT HTR.#1, #2, #3		
V-182 BLOWCASE COMP. BLDG. EX. FAN	15	39	40 15 K-630 CEILING EX. FAN #1		
V-182 BLOWCASE COMP. BLDG. CAT HTR.	15	41	42 15 K-630 CEILING EX. FAN #2		
LOCATED IN MCC BUILDING					

* GFCI BREAKER FOR HEAT TRACE
TRIP RATED @ 30mA

LPC					
DESCRIPTION	BREAKER SIZE	CIRCUIT	DESCRIPTION	BREAKER SIZE	CIRCUIT
INLET HT-2,3,4	20	1	2 20 INLET HT-28		
		3	4 20		
INLET HT-1,5	20	5	6 20 BLOWCASE HT-11,27		
		7	8 20		
INLET HT-7	20	9	10 20 BLOWCASE HT-9,10		
		11	12 20		
INLET HT-6,8	20	13	14 20 HEAT TRACE HT-18		
		15	16 20 HEAT TRACE HT-19		
K-630 HT-16	20	17	18 20		
		19	20 20 HEAT TRACE HT-25		
K-620 HT-12,13	20	21	22 20 AMINE VENT HT-20		
		23	24 20 AMINE HT-22A		
K-620 HT-14	20	25	26 20 AMINE HT-22B		
		27	28 20 H-800 GLYCOL DRAIN		
K-620 HT-29,30	20	29	30 20 AMINE HT-21		
		31	32 20 AMINE HT-35		
K-630 HT-17	20	33	34 30 AMINE HT-36		
		35	36 15 AMINE TOWER HEAT TRACE		
K-630 HT-31,32	20	37	38 15 AMINE TOWER HEAT TRACE		
		39	40 15		
K-640 HT-26	20	41	42 15		
42CKT LOAD CENTRE 480 MCC LOCATED					

* GFCI BREAKER FOR HEAT TRACE
TRIP RATED @ 30mA

LPB					
DESCRIPTION	BREAKER SIZE	CIRCUIT	DESCRIPTION	BREAKER SIZE	CIRCUIT
C-300 AMINE BLDG. INSIDE LIGHTS	15	1	2 20 SOUTH TANK FARM AREA CAT. HTR. 703		
C-300 AMINE BLDG. RECEPTACLE	15	3	4 20 NORTH TANK FARM AREA CAT. HTR. #702		
C-300 AMINE BLDG. EX. FAN #1	15	5	6 20 T-712 GLYCOL TANK CAT HTR. 712		
C-300 AMINE BLDG. EX. FAN #2	15	7	8 20 FLARE K.O. DRUM BLDG. CAT HTR. 709		
C-300 AMINE BLDG. CHEM INJ. PUMP	15	9	10 20 VENT K.O. DRUM BLDG. CAT HTR. 708		
E-403 INSIDE LIGHTS	15	11	12 20 SOUTH TANK FARM AREA CAT. HTR. 704		
K-640 REFRIGE BLDG. LIGHTS	15	13	14 20 SOUTH TANK FARM AREA CAT. HTR. 705		
K-640 REFRIGE BLDG. RECEPTACLE	15	15	16 20 SOUTH TANK FARM AREA CAT. HTR. 711		
K-640 REFRIGE BLDG. EX. FAN #1	15	17	18 15 INLET SEP. CHEM. PUMP		
K-640 REFRIGE BLDG. EX. FAN #2	15	19	20 15 REFRIG. BLDG. CHEM. PUMP		
E-409 CONDENSER BLDG. INSIDE LIGHTS	15	21	22 15 AIR DRYER		
E-405 INSIDE LIGHTS	15	23	24 15		
K-640 REFRIG. COMP. IMMERSION HTR.	15	25	26 15		
K-620 INCANDESCENT LIGHTS	15	27	28 15		
K-630 INCANDESCENT LIGHTS	15	29	30 15 690 REFRIDGE CHEMICAL PUMP		
K-650 INCANDESCENT LIGHTS	15	31	32 15		
	20	33	34 15		
	15	35	36 15		
	15	37	38 15 CATHODIC RECTIFIER		
	15	39	40		
	15	41	42 15 OFFICE TRAILER		
42CKT LOAD CENTRE 480 MCC LOCATED					

* GFCI BREAKER FOR HEAT TRACE
TRIP RATED @ 30mA

LPD					
DESCRIPTION	BREAKER SIZE	CIRCUIT	DESCRIPTION	BREAKER SIZE	CIRCUIT
K-690 REFRIG. BLDG. INSIDE LIGHTS	15	1	2 15 K-690 REFRIGERANT COMP. IMMERSION HEATER		
K-690 REFRIG. BLDG. INSIDE LIGHTS	15	3	4 15		
K-690 REFRIG. BLDG. RECEPTACLE	15	5	6 15 K-680 COMP. BLDG. INSIDE LIGHTS		
K-690 REFRIG. BLDG. EX. FAN EF-69001/EF-69002	20	7	8 15 K-680 COMP. BLDG. RECEPTACLE		
K-690 REFRIG. COMP. MOTOR SPACE HEATER	15	9	10 15 K-680 COMP. BLDG. EXHAUST FAN EF-68001		
	15	11	12 30 K-680 COMP. BLDG. VENT FAN EF-68002		
K-670 COMP. BLDG. INSIDE LIGHTS	15	13	14 30		
K-670 COMP. BLDG. RECEPTACLE	15	15	16 30 K-680 COMP. BLDG. VENT FAN EF-68003		
K-670 COMP. BLDG. EXHAUST FAN EF-67001	15	17	18 20		
K-670 COMP. BLDG. VENT FAN EF-67002	30	21	20 30 K-680 COMP. BLDG. VENT FAN EF-68004		
	30	23	22 30		
K-670 COMP. BLDG. VENT FAN EF-67003	30	25	24 15		
	30	27	26 15		
K-670 COMP. BLDG. VENT FAN EF-67004	30	29	28 15		
	15	31	30 15		
K-690 REFRIDGE WATER DRAIN	15	33	32 15		
	15	35	34 15		
HEAT TRACE #31	15	37	36 15 WATER DRAIN K-680		
	15	39	38 15 WATER DRAIN K-670		
HEAT TRACE #32	15	41	40 15		
		41	42 20		
42CKT LOAD CENTRE 480 MCC LOCATED					

NO.	REVISION	PROJECT	DSN	DRN	CHK'D	APP'D	DATE
7	POST CONSTRUCTION REVISIONS	43884	BGO	SRM			06.02.14
6	2005 EXPANSION ISSUED FOR CONSTRUCTION	43884	BGO	FC	BGO	RLB	05.10.19
5	2005 EXPANSION ISSUED FOR BID	43884	BGO	FC	BGO		05.09.26
4	2005 EXPANSION ISSUED FOR APPROVAL	43884	BGO	FC	BGO		05.09.06
3	POST CONSTRUCTION REVISIONS	43733	ATB	SM	ATB		05.02.02
2	ISSUED FOR CONSTRUCTION	43733	ATB	FC	ATB	WDS	04.11.01
1	ISSUED FOR FIELD BID	43733	ATB	FC	ATB		04.10.15
0	ISSUED FOR APPROVAL	43733	ATB	SM	ATB		04.09.28

PERMIT STAMP:	STAMP APPLIED TO REV. 6 ONLY
---------------	------------------------------

GENERAL NOTES:
1. "POST CONSTRUCTION DRAWINGS" ARE GENERATED FROM CONSTRUCTION CHANGE INFORMATION FORWARDED TO BOWER DAMBERGER ROLSETH ENGINEERING LTD. BY THE OWNER'S FIELD SUPERVISORS AND OR FIELD CONTRACTORS. ANY CHANGES NOT DOCUMENTED WILL NOT APPEAR ON THE DRAWINGS AND THEREFORE THE DRAWING MAY NOT BE AN ACCURATE REPRESENTATION OF THE CONSTRUCTED FACILITY.
2. PRIOR TO THE COMMENCEMENT OF ANY CONSTRUCTION AND OR EXCAVATION IT SHALL BE THE RESPONSIBILITY OF THE OWNER REPRESENTATIVE TO VERIFY THE LOCATION AND STATUS OF ANY PIPING, ELECTRICAL EQUIPMENT OR BUILDINGS.
3. ANY REVISIONS MADE TO EXISTING EQUIPMENT, PIPING OR ELECTRICAL ON A FACILITY NOT DESIGNED BY B.D.R. ENG. LTD. IS ONLY SHOWN AS A REPRESENTATION OF WHAT EXISTS AND MUST BE VERIFIED BY THE OWNER.

DESIGN	BY	DATE
DRAWN	ATB	04.09.28
CHK'D	SM	04.09.28
APP'D	BGO	05.10.19
L.S.D.	RLB	05.10.19
	W5M	



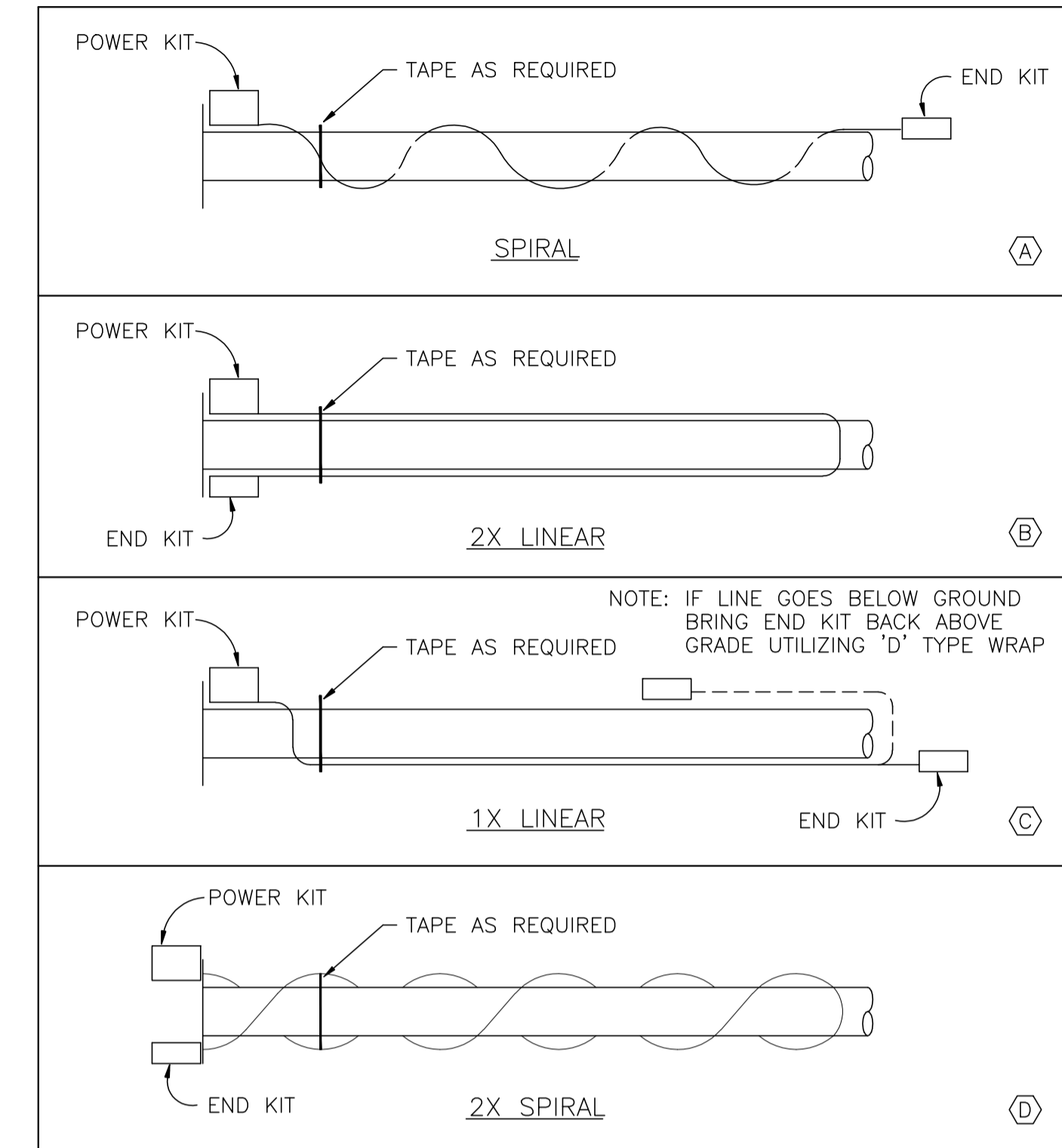
FORT ENERGY CORPORATION		
CORBETT GAS PLANT LIGHTING PANEL SCHEDULE		
SCALE	DRAWING NUMBER	REV
N/A	D-23212-E-09-001	7

HEAT TRACE SCHEDULE

RUN #	LINE DESCRIPTION	PIPE SIZE	LINE #	WRAP TYPE	TRACE DESCRIPTION	EST TRACE LENGTH REQ'D	POWER KITS	END KITS	AREA CLASS
HT-1	INLET GAS	168	131	B	8BTV-1 208VAC	40 m	1	1	CLASS I ZONE 2
HT-2	INLET DRAIN	89	300	B	8BTV-1 208VAC	10 m	1	1	CLASS I ZONE 2
HT-3	GAS INLET	219	130	B	8BTV-1 208VAC	10 m	1	1	CLASS I ZONE 2
HT-4	GAS INLET	89	320	B	8BTV-1 208VAC	20 m			CLASS I ZONE 2
HT-5	INLET GAS	219	130	B	8BTV-1 208VAC	40 m			CLASS I ZONE 2
HT-6	WATER	89	300	B	8BTV-1 208VAC	40 m			CLASS I ZONE 2
HT-7	CONDENSATE (TO REFRIGE)	89	320	B	8BTV-1 208VAC	40 m			CLASS I ZONE 2
HT-8	WATER	89	300	B	8BTV-1 208VAC	35 m			CLASS I ZONE 2
HT-9	WATER	89	300	B	8BTV-1 208VAC	30 m			CLASS I ZONE 2
HT-10	CONDENSATE (TO REFRIGE)	89	320	B	8BTV-1 208VAC	30 m			CLASS I ZONE 2
HT-11	BLOWCASE INLET	168	131	B	8BTV-1 208VAC	45 m			CLASS I ZONE 2
HT-12	SCRUBBER DRAIN	48/60	302	B	8BTV-1 208VAC	10 m			CLASS I ZONE 2
HT-13	CONDENSATE (TO REFRIGE)	89	320	B	8BTV-1 120VAC	30 m			CLASS I ZONE 2
HT-14	WATER	89	300	B	8BTV-1 208VAC	30 m			CLASS I ZONE 2
HT-15	SCRUBBER DRAIN	48/60	304	B		10 m			CLASS I ZONE 2
HT-16	CONDENSATE (TO REFRIGE)	89	320	B		40 m			CLASS I ZONE 2
HT-17	WATER	89	300	B		40 m			CLASS I ZONE 2
HT-18	CONDENSATE (TO REFRIGE)	89	320	B		45 m			CLASS I ZONE 2
HT-19	WATER	89	300	B	8BTV-1	20 m			CLASS I ZONE 2
HT-20	ACID GAS VENT	89	480	B	8BTV-1	45 m			CLASS I ZONE 2
HT-21	AMINE DRAIN	60	150	B	8BTV-1	10 m			CLASS I ZONE 2
HT-22	LEAN AMINE FROM COOLER	60	526	B	8BTV-1	15 m			CLASS I ZONE 2
HT-23	TO CONDENSER	60	482	B	8BTV-1	25 m			CLASS I ZONE 2
HT-24	H.C DRAIN	60	350	B	8BTV-1	40 m			CLASS I ZONE 2
HT-25	ACID GAS VENT	168	480	B	8BTV-1 120VAC	35 m			CLASS I ZONE 2
HT-26	CONDENSATE (TO REFRIGE)	60	321	B	8BTV-1 120VAC	40 m			CLASS I ZONE 2
HT-27	BLOWCASE (DRAIN)	33	301	B	8BTV-1 208VAC	10 m			CLASS I ZONE 2
HT-28	CONDENSATE (TO T-701)	60	328	B	8BTV-1 208VAC	40 m			CLASS I ZONE 2
HT-29	L.O RETURN	60	375	B	8BTV-1 208VAC	30 m			CLASS I ZONE 2
HT-30	L.O SUPPLY	60	374	B	8BTV-1 208VAC	30 m			CLASS I ZONE 2
HT-31	L.O RETURN	60	375	B	8BTV-1 208VAC	40 m			CLASS I ZONE 2
HT-32	L.O SUPPLY	60	374	B	8BTV-1 208VAC	40 m			CLASS I ZONE 2

- MAXIMUM LENGTH OF HEAT TRACE RUNNING ON 15 AMP, 120VAC IS 30 m.
- MAXIMUM LENGTH OF HEAT TRACE RUNNING ON 20 AMP, 120VAC IS 45 m.
- MAXIMUM LENGTH OF HEAT TRACE RUNNING ON 15 AMP, 208/240V IS 60 m.
- MAXIMUM LENGTH OF HEAT TRACE RUNNING ON 20 AMP, 208/240V IS 75 m.

HEAT TRACE INSTALLATION METHODS



NO.	REVISION	PROJECT	DSN	DRN	CHK'D	APP'D	DATE
7	POST CONSTRUCTION REVISIONS	43884	BGO	SRM			06.02.14
6	2005 EXPANSION ISSUED FOR CONSTRUCTION	43884	BGO	FC	BGO	RLB	05.10.19
5	2005 EXPANSION ISSUED FOR BID	43884	BGO	FC	BGO		05.09.26
4	2005 EXPANSION ISSUED FOR APPROVAL	43884	BGO	FC	BGO		05.09.06
3	POST CONSTRUCTION REVISIONS	43884	BGO	SRM	ATB		06.02.08
2	ISSUED FOR CONSTRUCTION	43733	ATB	FC	ATB	WDS	04.11.01
1	ISSUED FOR FIELD BID	43733	ATB	FC	ATB		04.10.15
0	ISSUED FOR APPROVAL	43733	ATB	SM	ATB		04.09.28

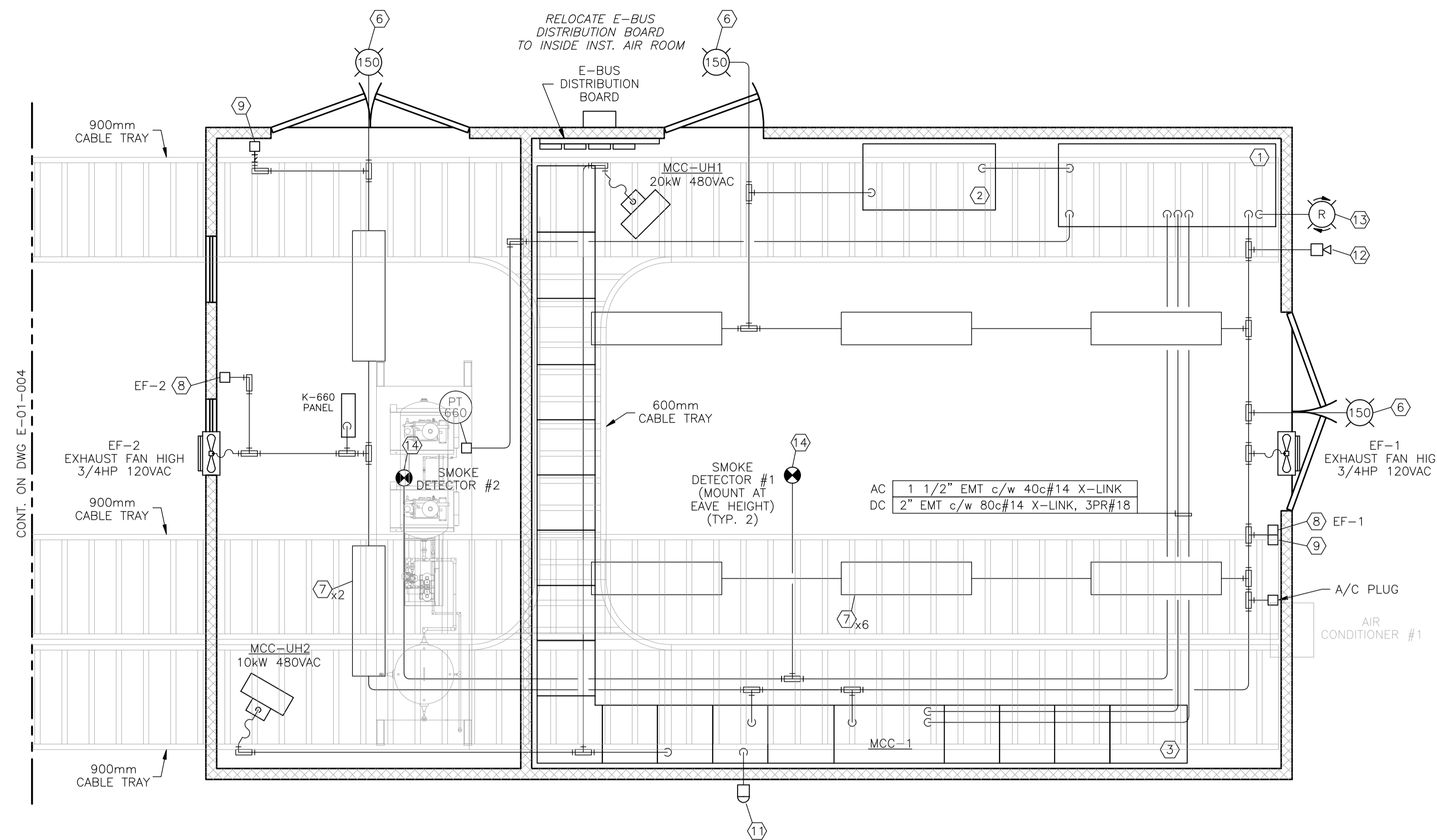
PERMIT STAMP:	STAMP APPLIED TO REV. 6 ONLY
----------------------	------------------------------

GENERAL NOTES:
1. "POST CONSTRUCTION DRAWINGS" ARE GENERATED FROM CONSTRUCTION CHANGE INFORMATION FORWARDED TO BOWER DAMBERGER ROLSETH ENGINEERING LTD. BY THE OWNER'S FIELD SUPERVISORS AND/OR FIELD CONTRACTORS. ANY CHANGES NOT DOCUMENTED WILL NOT APPEAR ON THE DRAWINGS AND THEREFORE THE DRAWING MAY NOT BE AN ACCURATE REPRESENTATION OF THE CONSTRUCTED FACILITY.
2. PRIOR TO THE COMMENCEMENT OF ANY CONSTRUCTION AND/OR EXCAVATION IT SHALL BE THE RESPONSIBILITY OF THE OWNER'S REPRESENTATIVE TO VERIFY THE LOCATION AND STATUS OF ANY PIPING, ELECTRICAL, EQUIPMENT OR BUILDINGS.
3. ANY REVISIONS MADE TO EXISTING EQUIPMENT, PIPING OR ELECTRICAL ON A FACILITY NOT DESIGNED BY B.D.R. ENG. LTD. IS ONLY SHOWN AS A REPRESENTATION OF WHAT EXISTS AND MUST BE VERIFIED BY THE OWNER.

	BY	DATE
DESIGN	ATB	04.09.28
DRAWN	SM	04.09.28
CHK'D	BGO	05.10.19
APP'D	RLB	05.10.19
L.S.D.		15-10-62-06 WSM

Bower Damberger Rolseth Engineering Ltd.

FORT ENERGY CORPORATION		
CORBETT GAS PLANT HEAT TRACE SCHEDULE		
SCALE	DRAWING NUMBER	REV
N/A	D-23212-E-09-002	7



MCC/INSTRUMENT AIR BUILDING
6000 x 10000
EAVE HEIGHT - 3810

BILL OF MATERIALS

1. CONTROL PANEL ENCLOSURE, 2286mmH x 1834mmW x 812mmD c/w TOP HAT AND BACKPAN. (OWNER SUPPLIED)
2. 24VDC UPS CHARGER UNIT c/w BATTERIES. (OWNER SUPPLIED)
3. 480VAC, 3Ø MCC ASSEMBLY. (OWNER SUPPLIED)
4. 480VAC 3Ø 10kW UNIT HEATER c/w INTEGRAL SWITCH AND THERMOSTAT. (SKID CONTRACTOR SUPPLIED)
5. 3/4x10 GROUND ROD c/w WELL & COVER.
6. 150W, 120VAC WEATHERPROOF INCANDESCENT FIXTURE c/w GLOBE AND PHOTOCELL.
7. 1'x4', 120VAC, 2-TUBE WRAPAROUND FLUORESCENT FIXTURE, FIXED MOUNTED c/W TUBES AND LENSES.
8. SPST, 120VAC, 15AMP SWITCH c/w METAL PLATE & 1110 BOX.
9. DUPLEX RECEPTACLE, 120VAC c/w METAL PLATE & 1110 BOX.
10. 1000DBTU 115VAC WALL MOUNTED AIR CONDITIONER. (SKID CONTRACTOR SUPPLIED)
11. 120VAC WEATHERPROOF PILOT DUTY PHOTOCELL.
12. PLANT ALARM HORN, EDWARDS SERIES 5520 DUAL TONE HORN, 120VAC c/w BACK BOX.
13. PLANT ALARM BEACON 24VDC ROTATING:
-(1) RED
14. IONIZATION SMOKE DETECTOR c/w B402B PLUG-IN DETECTOR BASE.

CONSTRUCTION NOTES:

1. ALL CABLES ENTERING/EXITING THE CONTROL PANEL OR MCC SHALL HAVE GROUNDING BUSHINGS INSTALLED AND WIRED.
2. CONTRACTOR WILL BE RESPONSIBLE FOR RESEALING/CLOSING UP OF ANY VAPOUR BARRIER PIERCED.
3. ITEMS ①, ② & ③ ABOVE WILL BE SUPPLIED BY THE OWNER FOR INSTALLATION BY THE CONTRACTOR. ALL OTHER MATERIALS WILL BE SUPPLIED BY THE CONTRACTOR.
4. WIRING METHOD WITHIN THE MCC BLDG. WILL BE EMT c/w S.S. TYPE CONNECTORS/COUPLINGS.
5. CONTRACTOR WILL BE RESPONSIBLE FOR SETTING & BOLTDOWN OF ALL EQUIPMENT. THIS SHALL INCLUDE SKID CUTOUTS AND SUPPLY/INSTALLATION OF TECK PLATES.
6. CABLE TERMINATION POINTS AND ROUTINGS ARE FOR REFERENCE ONLY; FIELD CONDITIONS WILL DICTATE ACTUAL ROUTING.
7. ALL WIRING ENTERING/EXITING THE CONTROL PANEL TO BE COLOR CODED AS FOLLOWS:
24VDC 120VAC
+ : RED HOT : BLACK
- : YELLOW NETURAL : WHITE
LOGIC : ORANGE LOGIC : BLUE
8. THE GROUND WIRE AROUND THE MCC SKID CONNECTING TO TWO GROUND RODS AND SERVICE GROUND SHALL BE 2/0 TWH GREEN.
9. FIELD CONTRACTOR TO DIG AREA UNDER MCC SKID DOWN MIN. 1000mm BELOW GRADE PRIOR TO SETTING OF SKID. 200mm OF SAND IS TO BE SPREAD THROUGHOUT CABLE AREA PRIOR TO BACKFILL. CONTRACTOR SHALL INSTALL 25mm x 1000mm TREATED PLYWOOD TO PREVENT FILL FROM ENTERING UNDER SKID.
10. INTERCONNECT CONDUITS TO ENTER TOP OF LIGHTING PANEL/TRANSFORMER SECTION ONLY.

NO.	REVISION	PROJECT	DSN	DRN	CHK'D	APP'D	DATE
7	POST CONSTRUCTION REVISIONS	43884	BGO	SRM			06.02.14
6	2005 EXPANSION ISSUED FOR CONSTRUCTION	43884	BGO	FC	BGO	RLB	05.10.19
5	2005 EXPANSION ISSUED FOR BID	43884	BGO	FC	BGO		05.09.26
4	2005 EXPANSION ISSUED FOR APPROVAL	43884	BGO	FC	BGO		05.09.06
3	POST CONSTRUCTION REVISIONS	43733	ATB	SM	ATB		05.02.02
2	ISSUED FOR CONSTRUCTION	43733	ATB	FC	ATB	WDS	04.11.01
1	ISSUED FOR FIELD BID	43733	ATB	FC	ATB		04.10.15
0	ISSUED FOR APPROVAL	43733	ATB	FC	ATB		04.10.12

PERMIT STAMP:	STAMP APPLIED TO REV. 6 ONLY
----------------------	------------------------------

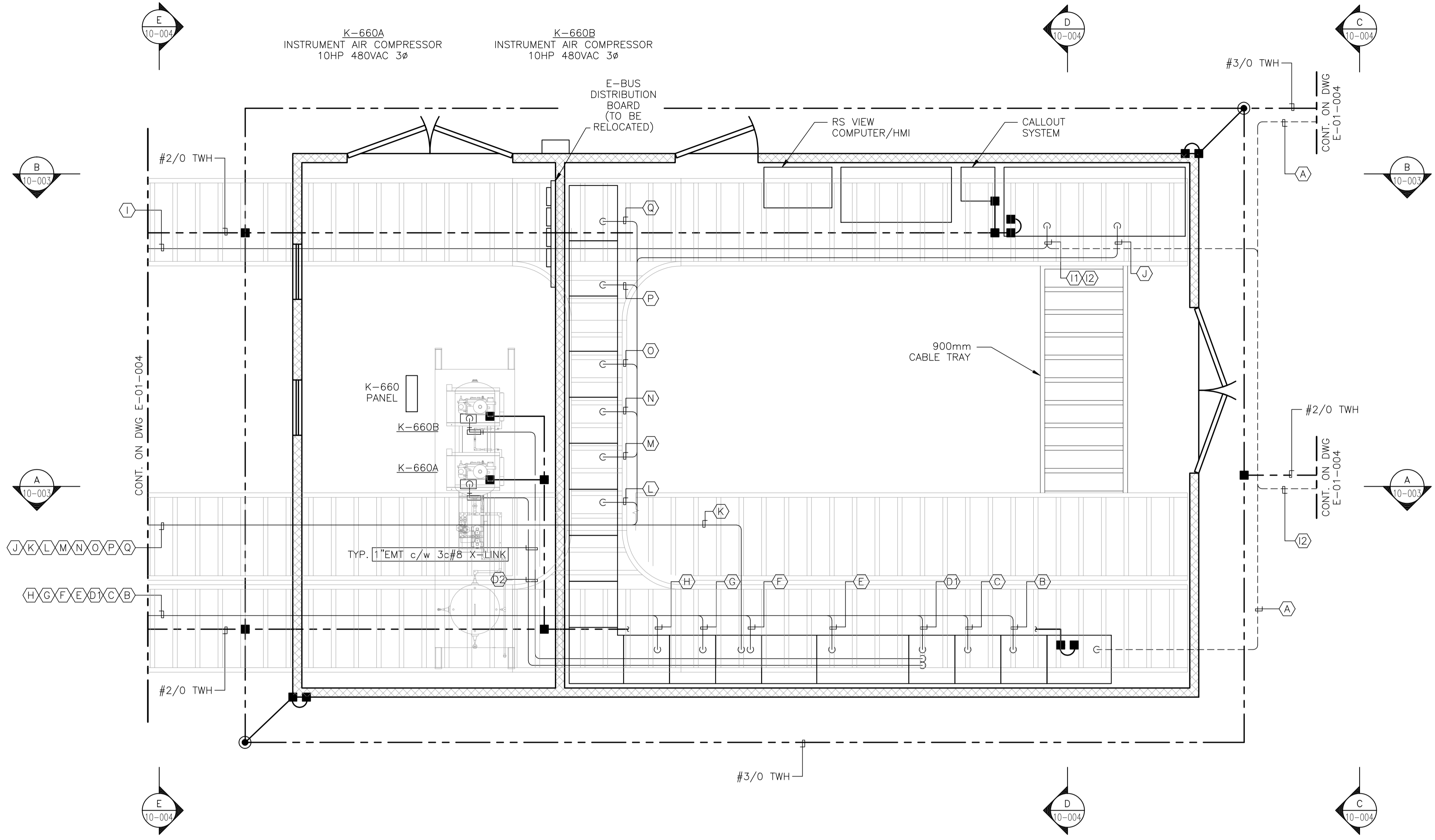
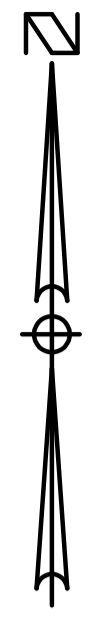
GENERAL NOTES:

1. "POST CONSTRUCTION DRAWINGS" ARE GENERATED FROM CONSTRUCTION CHANGE INFORMATION FORWARDED TO BOWER DAMBERGER ROLSETH ENGINEERING LTD. BY THE OWNER'S FIELD SUPERVISORS AND/OR FIELD CONTRACTORS. ANY CHANGES NOT DOCUMENTED WILL NOT APPEAR ON THE DRAWINGS AND THEREFORE THE DRAWING MAY NOT BE AN ACCURATE REPRESENTATION OF THE CONSTRUCTED FACILITY.
2. PRIOR TO THE COMMENCEMENT OF ANY CONSTRUCTION AND/OR EXCAVATION IT SHALL BE THE RESPONSIBILITY OF THE OWNER'S REPRESENTATIVE TO VERIFY THE LOCATION AND STATUS OF ANY PIPING, ELECTRICAL EQUIPMENT OR BUILDINGS.
3. ANY REVISIONS MADE TO EXISTING EQUIPMENT, PIPING OR ELECTRICAL ON A FACILITY NOT DESIGNED BY B.D.R. ENG. LTD. IS ONLY SHOWN AS A REPRESENTATION OF WHAT EXISTS AND MUST BE VERIFIED BY THE OWNER.

DESIGN	BY	DATE
ATB	ATB	04.10.06
FC	FC	04.10.06
BGO	BGO	05.10.19
RLB	RLB	05.10.19
L.S.D.	15-10-62-06	W5M



FORT ENERGY CORPORATION		
CORBETT GAS PLANT MCC/INSTRUMENT AIR BUILDING ELECTRICAL LAYOUT		
SCALE	DRAWING NUMBER	REV
1 : 30	D-23212-E-10-001	7



MCC/INSTRUMENT AIR BUILDING
6000 x 10000
EAVE HEIGHT - 3810

A	MF-1.0 MF-2.0 MF-3.0 NGR-1 ASF-002-1 TMF-002-1 TEL-002-1 COM-002-1 COM-002-2
B	P-P505 C-P505 P-P504 C-P504 P-P503A C-P503A P-E405 C-E405
C	P-P503B C-P503B P-P501A C-P501A P-P501B C-P501B P-UH300A P-UH300B
D1	P-UHUTIL1 P-UHUTIL2
D2	P-K660A P-K660B
E	LPF-701-1 LPF-709-1 LP-403-1 LP-18/19-1 HT-25
F	LPF-709-1 LPF-180-1 LPF-182-1 LPF-650-1 LPF-620-1 LPF-630-1 LPF-300-1 LPF-711-1 LPF-640-1 LPF-001-1 FL-100 FL-101 FL-102 FL-103 FL-104 FL-105 LPF-HT

G	P-UH640A P-UH640B P-E403 C-E403
H	P-E409A C-E409A P-P506 C-P506 P-E409B C-E409B P-KD641 C-KD641
I1	TMF-701-1 ASF-180-1 TMF-180-1 TMF-180-2 ASF-701-1 TMF-701-1 ASF-182-1 TMF-182-1 ASF-650-1 TMF-650-1 ASF-620-1 TMF-620-1 TMF-620-2 ASF-630-1 TMF-630-1 TMF-630-2
I2	PT-18903 SAV-07 SAV-06 ASF-300-1 TMF-300-1 TMF-300-2 ASF-711-1 ASF-640-1 ASF-640-2 TMF-640-1 TMF-640-2 ASF-709-1 TMF-709-1 SAV-19001 SAV-19002 COM-001-1
I2	ASF-002-1 TMF-002-1 TEL-002-1 COM-002-1 COM-002-2

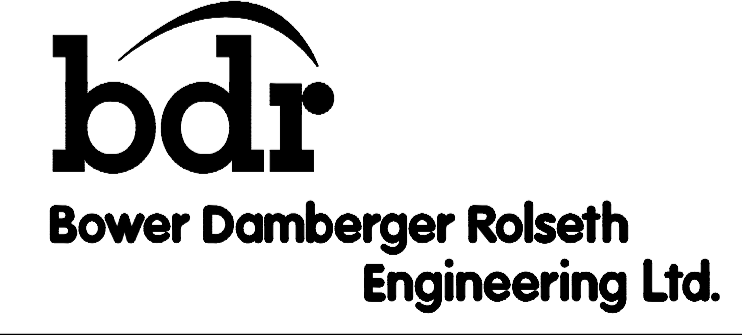
J	ASF-670-1 ASF-670-2 TMF-670-1 TMF-670-2 COM-670-1 ASF-680-1 ASF-680-2 TMF-680-1 TMF-680-2 COM-680-1 ASF-690-1 ASF-690-2 ASF-690-3 TMF-690-1 TMF-690-2 COM-690-1
K	LPF-670-1 LPF-680-1 LPF-690-1 LPF-690-2
L	P-P507 SC-P507 P-P508 SC-P508 UH-690-1 UH-690-2
M	P-E415A SC-E415A
N	P-E415B SC-E415B
O	P-K690 C-K690
P	P-E412 SC-E412 UH-670-1 UH-670-2
Q	P-E413 SC-E413 UH-680-1 UH-680-2

NO.	REVISION	PROJECT	DSN	DRN	CHK'D	APP'D	DATE
7	POST CONSTRUCTION REVISIONS	43884	BGO	SRM			06.02.14
6	2005 EXPANSION ISSUED FOR CONSTRUCTION	43884	BGO	FC	BGO	RLB	05.10.19
5	2005 EXPANSION ISSUED FOR BID	43884	BGO	FC	BGO		05.09.26
4	2005 EXPANSION ISSUED FOR APPROVAL	43884	BGO	FC	BGO		05.09.06
3	POST CONSTRUCTION REVISIONS	43733	ATB	SM	ATB		05.02.02
2	ISSUED FOR CONSTRUCTION	43733	ATB	FC	ATB	WDS	04.11.01
1	ISSUED FOR FIELD BID	43733	ATB	FC	ATB		04.10.15
0	ISSUED FOR APPROVAL	43733	ATB	FC	ATB		04.10.12

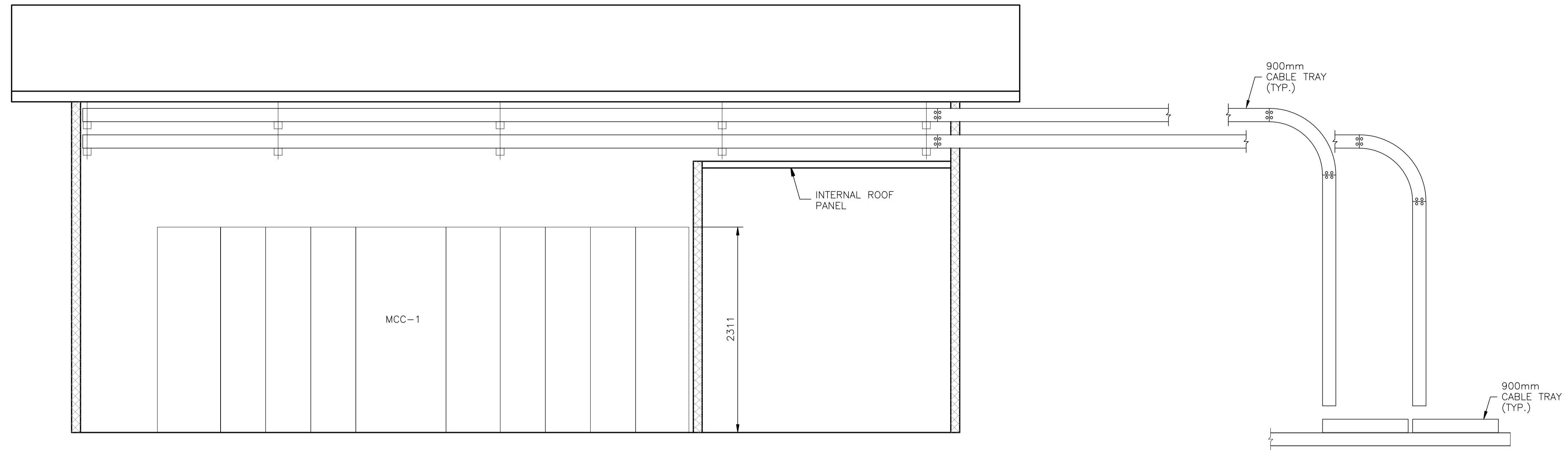
PERMIT STAMP:
STAMP APPLIED TO REV. 6 ONLY

GENERAL NOTES:
1. "POST CONSTRUCTION DRAWINGS" ARE GENERATED FROM CONSTRUCTION CHANGE INFORMATION FORWARDED TO BOWER DAMBERGER ROLSETH ENGINEERING LTD. BY THE OWNER'S FIELD SUPERVISORS AND/OR BIDDING CONTRACTORS. ANY CHANGES NOT DOCUMENTED WILL NOT APPEAR ON THE DRAWINGS AND THEREFORE THE DRAWING MAY NOT BE AN ACCURATE REPRESENTATION OF THE CONSTRUCTED FACILITY.
2. PRIOR TO THE COMMENCEMENT OF ANY CONSTRUCTION AND/OR EXCAVATION IT SHALL BE THE RESPONSIBILITY OF THE OWNER'S REPRESENTATIVE TO VERIFY THE LOCATION AND STATUS OF ANY PIPING, ELECTRICAL EQUIPMENT OR BUILDINGS.
3. ANY REVISIONS MADE TO EXISTING EQUIPMENT, PIPING OR ELECTRICAL ON A FACILITY NOT DESIGNED BY B.D.R. ENG. LTD. IS ONLY SHOWN AS A REPRESENTATION OF WHAT EXISTS AND MUST BE VERIFIED BY THE OWNER.

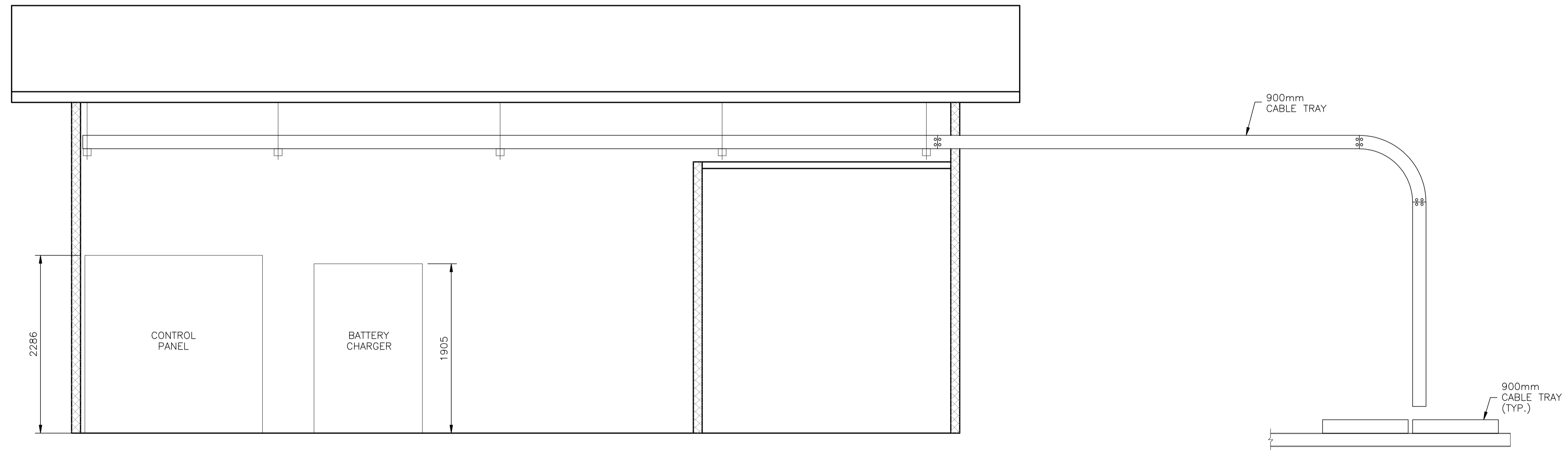
DESIGN	BY	DATE
ATB	ATB	04.10.06
FC	FC	04.10.06
BGO	BGO	05.10.19
RLB	RLB	05.10.19
L.S.D.	15-10-62-06	WSM



FORT ENERGY CORPORATION		
CORBETT GAS PLANT MCC/INSTRUMENT AIR BUILDING ELECTRICAL LAYOUT		
SCALE	DRAWING NUMBER	REV
1 : 30	D-23212-E-10-002	7



A SECTION



B SECTION

NO.	REVISION	PROJECT	DSN	DRN	CHK'D	APP'D	DATE
7	POST CONSTRUCTION REVISIONS	43884	BGO	SRM			06.02.14
6	2005 EXPANSION ISSUED FOR CONSTRUCTION	43884	BGO	FC	BGO	RLB	05.10.19
5	2005 EXPANSION ISSUED FOR BID	43884	BGO	FC	BGO		05.09.26
4	2005 EXPANSION ISSUED FOR APPROVAL	43884	BGO	FC	BGO		05.09.06
3	POST CONSTRUCTION REVISIONS	43733	ATB	SM	ATB		05.02.02
2	ISSUED FOR CONSTRUCTION	43733	ATB	FC	ATB	WDS	04.11.01
1	ISSUED FOR FIELD BID	43733	ATB	FC	ATB		04.10.15
0	ISSUED FOR APPROVAL	43733	ATB	FC	ATB		04.10.12

PERMIT STAMP:

STAMP APPLIED TO REV. 6 ONLY

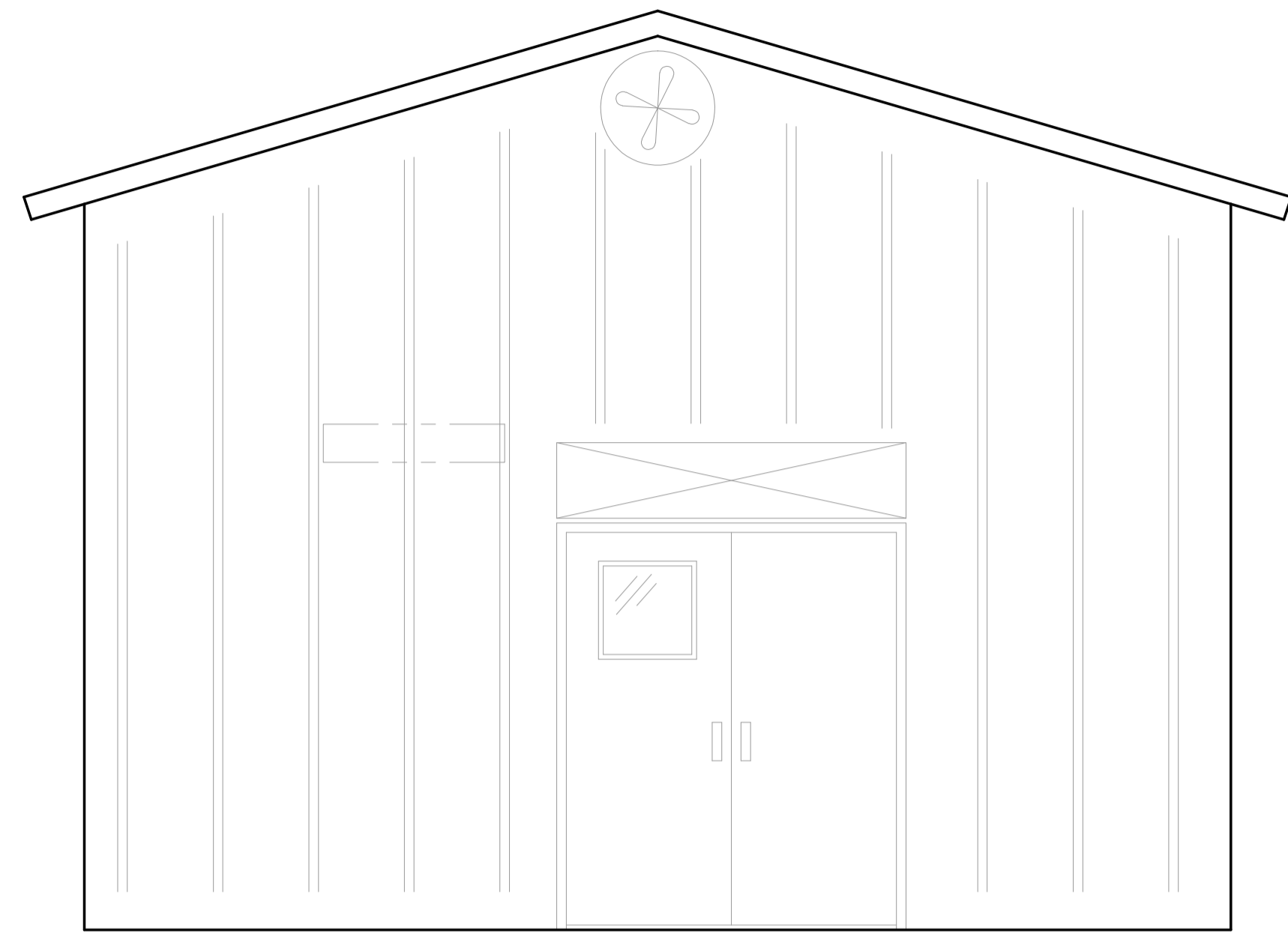
STAMP APPLIED TO REV. 6 ONLY

GENERAL NOTES:
 1. "POST CONSTRUCTION DRAWINGS" ARE GENERATED FROM CONSTRUCTION CHANGE INFORMATION FORWARDED TO BOWER DAMBERGER ROLSETH ENGINEERING LTD. BY THE OWNER'S FIELD SUPERVISORS AND/OR BIDDING CONTRACTORS. ANY CHANGES NOT DOCUMENTED WILL NOT APPEAR ON THE DRAWINGS AND THEREFORE THE DRAWING MAY NOT BE AN ACCURATE REPRESENTATION OF THE CONSTRUCTED FACILITY.
 2. PRIOR TO THE COMMENCEMENT OF ANY CONSTRUCTION AND/OR EXCAVATION IT SHALL BE THE RESPONSIBILITY OF THE OWNER'S REPRESENTATIVE TO VERIFY THE LOCATION AND STATUS OF ANY PIPING, ELECTRICAL EQUIPMENT OR BUILDINGS.
 3. ANY REVISIONS MADE TO EXISTING EQUIPMENT, PIPING OR ELECTRICAL ON A FACILITY NOT DESIGNED BY B.D.R. ENG. LTD. IS ONLY SHOWN AS A REPRESENTATION OF WHAT EXISTS AND MUST BE VERIFIED BY THE OWNER.

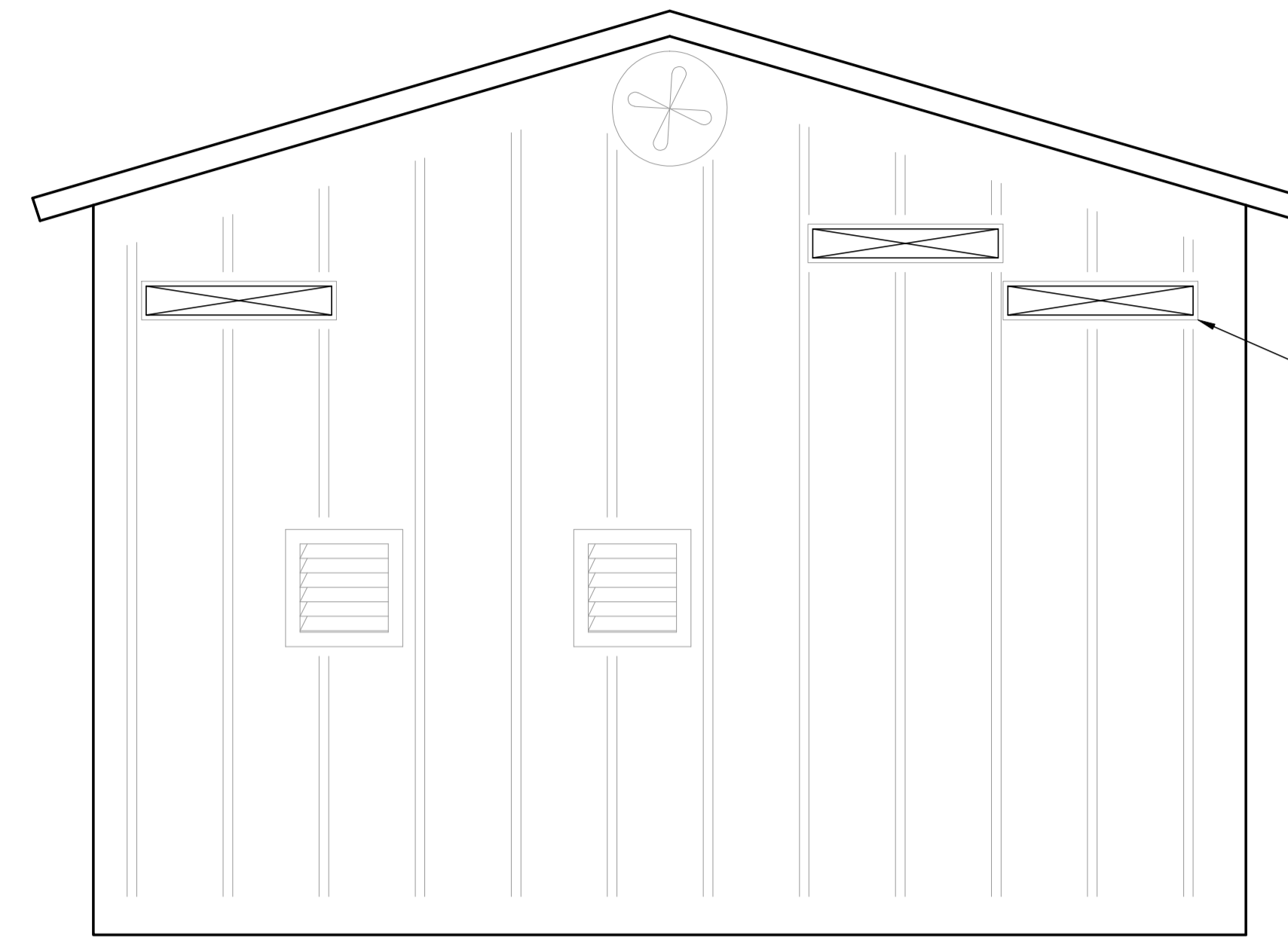
	BY	DATE
DESIGN	ATB	04.10.06
DRAWN	FC	04.10.06
CHK'D	BGO	05.10.19
APP'D	RLB	05.10.19
L.S.D.	15-10-62-06	W5M



FORT ENERGY CORPORATION		
CORBETT GAS PLANT MCC/INSTRUMENT AIR BUILDING DETAILS		
SCALE	DRAWING NUMBER	REV
1 : 30	D-23212-E-10-003	7

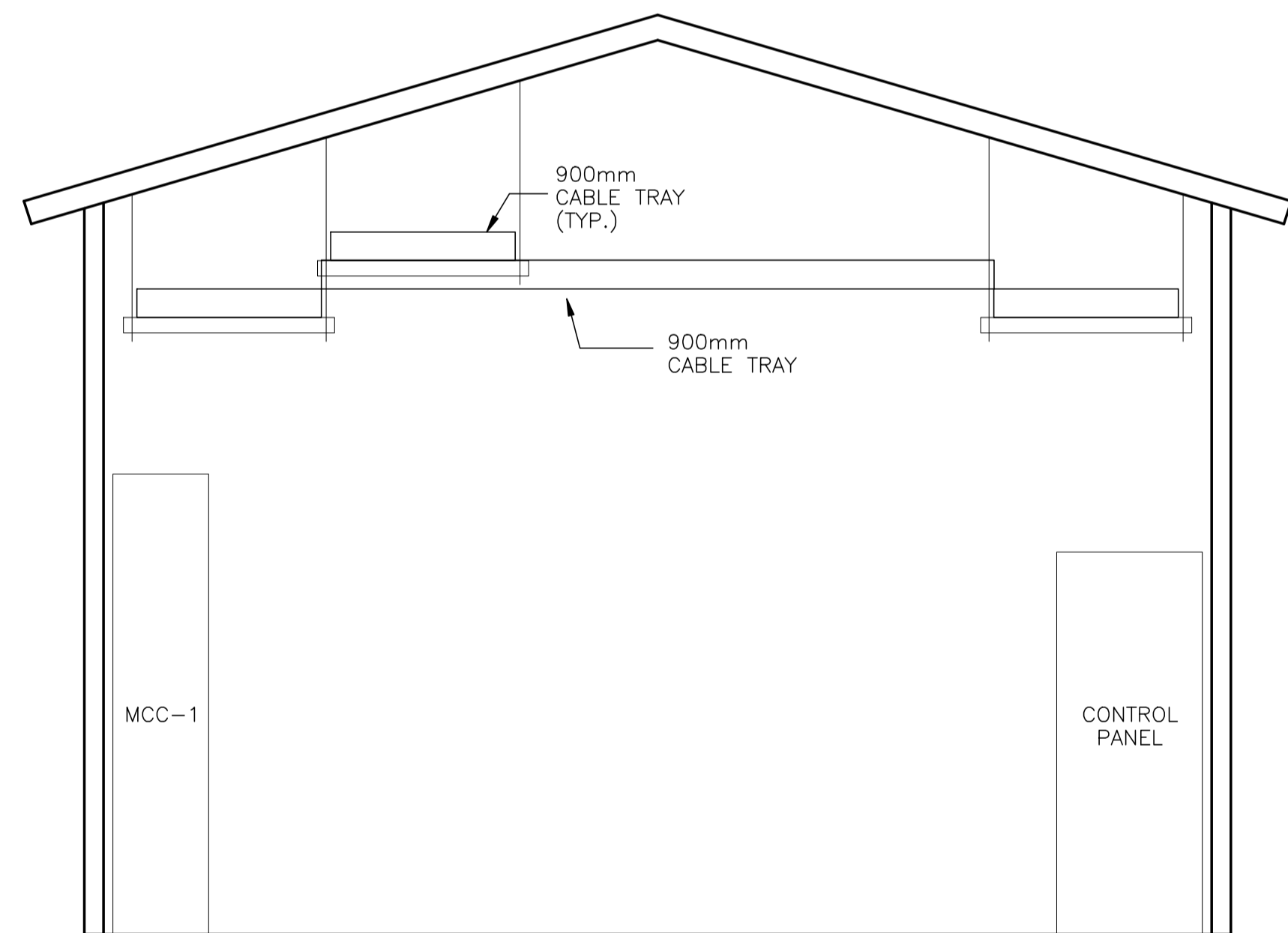


C SECTION
10-002



OPENING FOR
900mm CABLE TRAY
(TYP.)

E SECTION
10-002



D SECTION
10-002

NO.	REVISION	PROJECT	DSN	DRN	CHK'D	APP'D	DATE
7	POST CONSTRUCTION REVISIONS	43884	BGO	SRM			06.02.14
6	2005 EXPANSION ISSUED FOR CONSTRUCTION	43884	BGO	FC	BGO	RLB	05.10.19
5	2005 EXPANSION ISSUED FOR BID	43884	BGO	FC	BGO		05.09.26
4	2005 EXPANSION ISSUED FOR APPROVAL	43884	BGO	FC	BGO		05.09.06
3	POST CONSTRUCTION REVISIONS	43733	ATB	SM	ATB		05.02.02
2	ISSUED FOR CONSTRUCTION	43733	ATB	FC	ATB	WDS	04.11.01
1	ISSUED FOR FIELD BID	43733	ATB	FC	ATB		04.10.15
0	ISSUED FOR APPROVAL	43733	ATB	FC	ATB		04.10.12

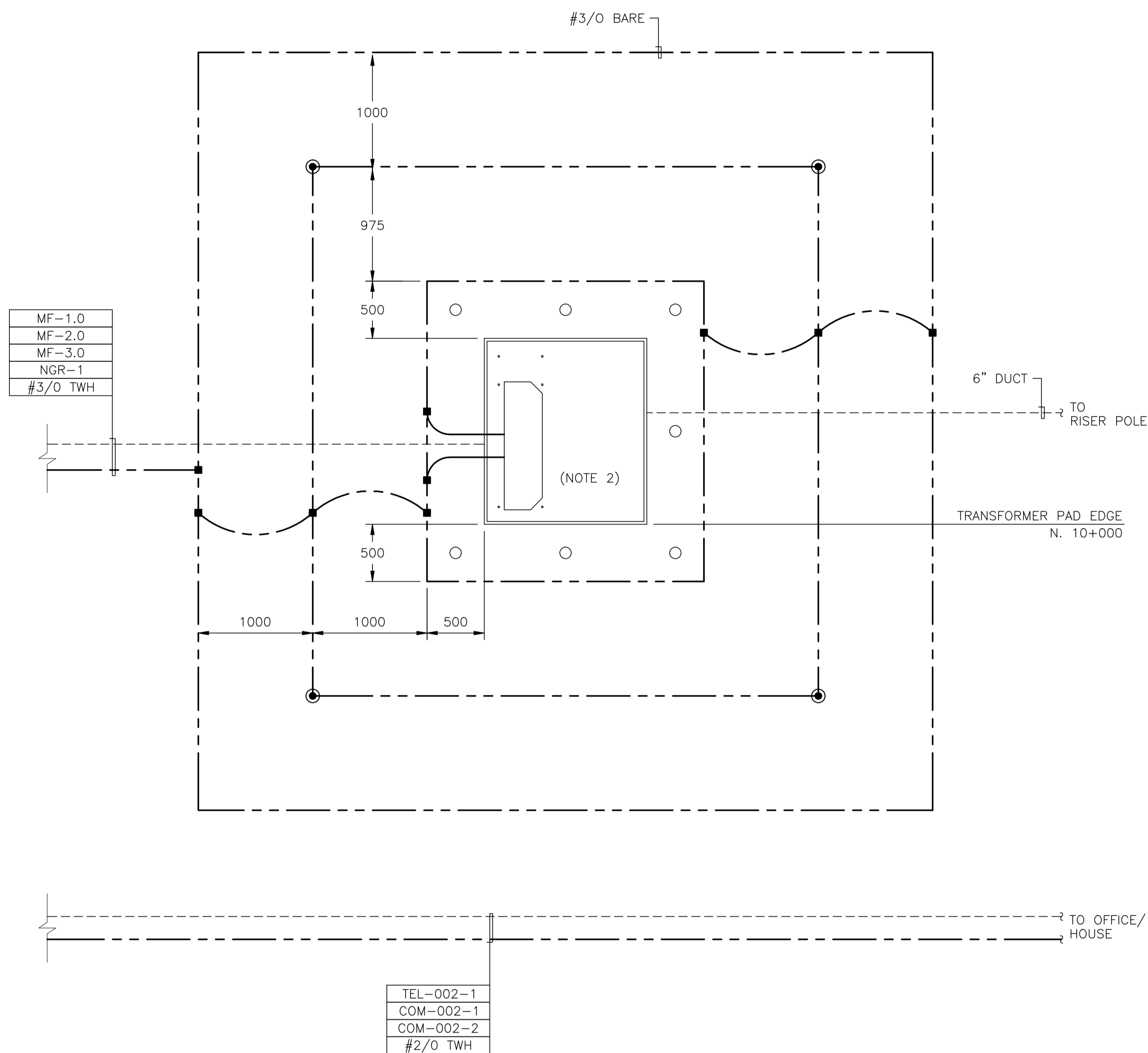
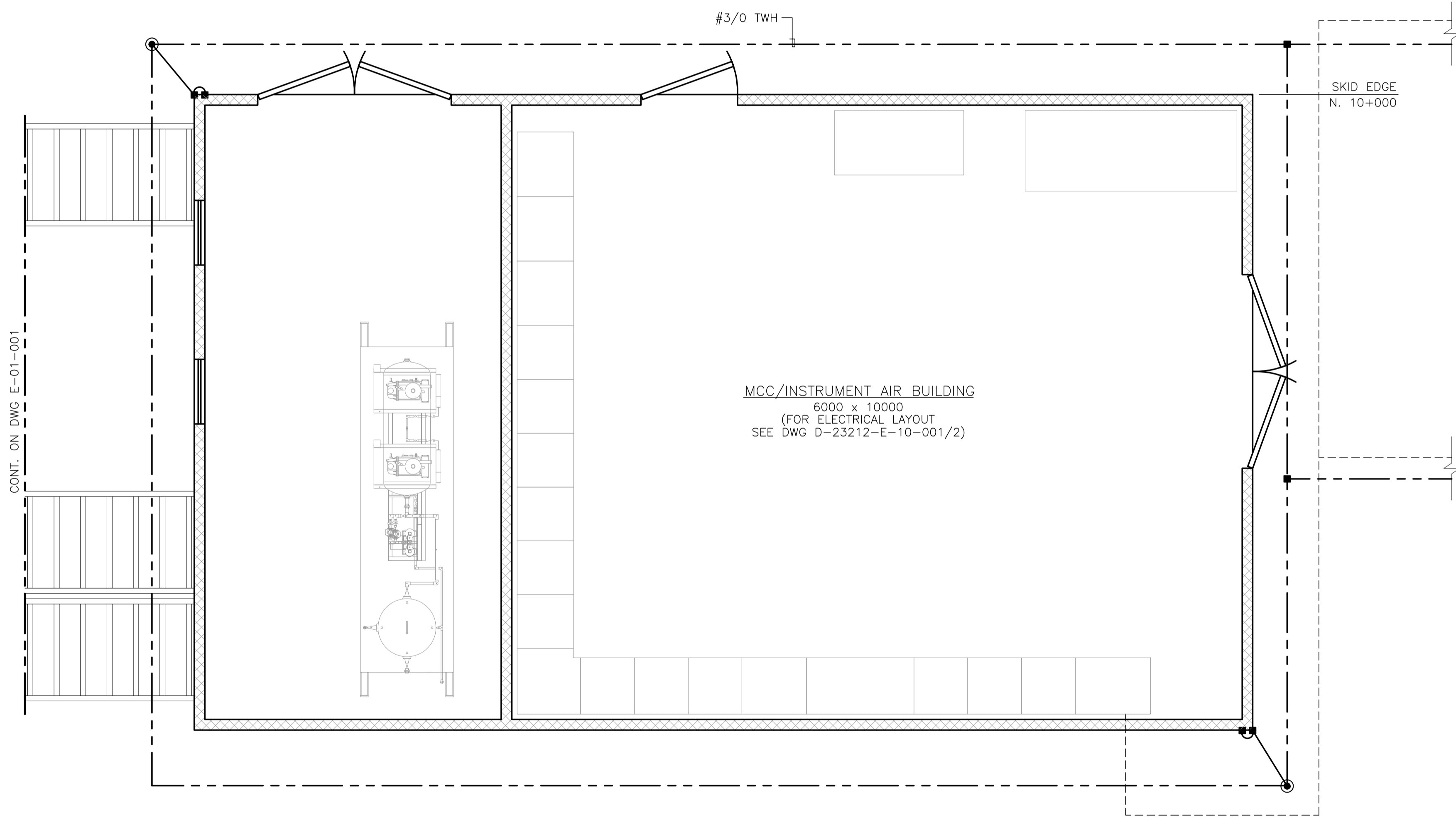
PERMIT STAMP:

STAMP APPLIED TO REV. 6 ONLY

GENERAL NOTES:
 1. "POST CONSTRUCTION DRAWINGS" ARE GENERATED FROM CONSTRUCTION CHANGE INFORMATION FORWARDED TO BOWER DAMBERGER ROLSETH ENGINEERING LTD. BY THE OWNER'S FIELD SUPERVISORS AND/OR BIDDING CONTRACTORS. ANY CHANGES NOT DOCUMENTED WILL NOT APPEAR ON THE DRAWINGS AND THEREFORE THE DRAWING MAY NOT BE AN ACCURATE REPRESENTATION OF THE CONSTRUCTED FACILITY.
 2. PRIOR TO THE COMMENCEMENT OF ANY CONSTRUCTION AND/OR EXCAVATION IT SHALL BE THE RESPONSIBILITY OF THE OWNER'S REPRESENTATIVE TO VERIFY THE LOCATION AND STATUS OF ANY PIPING, ELECTRICAL, EQUIPMENT OR BUILDINGS.
 3. ANY REVISIONS MADE TO EXISTING EQUIPMENT, PIPING OR ELECTRICAL ON A FACILITY NOT DESIGNED BY B.D.R. ENG. LTD. IS ONLY SHOWN AS A REPRESENTATION OF WHAT EXISTS AND MUST BE VERIFIED BY THE OWNER.

	BY	DATE
DESIGN	ATB	04.10.06
DRAWN	FC	04.10.06
CHK'D	BGO	05.10.19
APP'D.	RLB	05.10.19
L.S.D.	15-10-62-06	W5M

FORT ENERGY CORPORATION		
CORBETT GAS PLANT MCC/INSTRUMENT AIR BUILDING DETAILS		
SCALE	DRAWING NUMBER	REV
1 : 30	D-23212-E-10-004	7



- NOTE:
1. TRANSFORMER GROUNDING ACCORDING TO AQUILA SPECS. #1305.
 2. FOR DETAILS OF SERVICE GUARD POST GROUNDING, SEE DWG E-10-007.

NO.	REVISION	PROJECT	DSN	DRN	CHK'D	APP'D	DATE
7	POST CONSTRUCTION REVISIONS	43884	BGO	SRM			06.02.14
6	2005 EXPANSION ISSUED FOR CONSTRUCTION	43884	BGO	FC	BGO	RLB	05.10.19
5	2005 EXPANSION ISSUED FOR BID	43884	BGO	FC	BGO		05.09.26
4	2005 EXPANSION ISSUED FOR APPROVAL	43884	BGO	FC	BGO		05.09.06
3	POST CONSTRUCTION REVISIONS	43733	ATB	SM	ATB		05.02.02
2	ISSUED FOR CONSTRUCTION	43733	ATB	FC	ATB	WDS	04.11.01
1	ISSUED FOR SERVICE APPROVAL	43733	ATB	SM	ATB		04.10.21
0	ISSUED FOR APPROVAL	43733	ATB	PC	ATB		04.09.14

PERMIT STAMP:	STAMP APPLIED TO REV. 6 ONLY
---------------	------------------------------

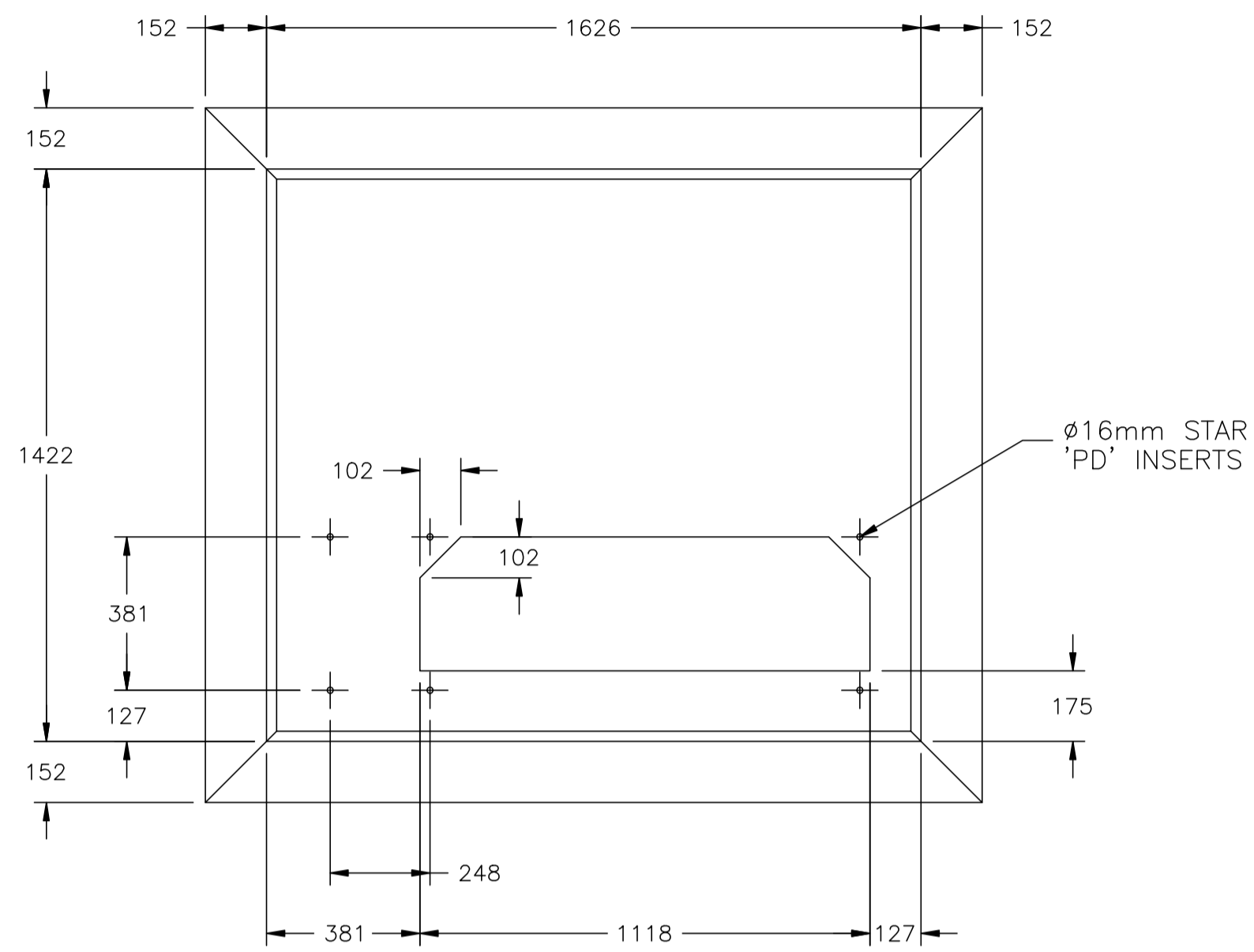
GENERAL NOTES:

1. "POST CONSTRUCTION DRAWINGS" ARE GENERATED FROM CONSTRUCTION CHANGE INFORMATION FORWARDED TO BOWER DAMBERGER ROLSETH ENGINEERING LTD. BY THE OWNER'S FIELD SUPERVISORS AND/OR BIDDING CONTRACTORS. ANY CHANGES NOT DOCUMENTED WILL NOT APPEAR ON THE DRAWINGS AND THEREFORE THE DRAWING MAY NOT BE AN ACCURATE REPRESENTATION OF THE CONSTRUCTED FACILITY.
2. PRIOR TO THE COMMENCEMENT OF ANY CONSTRUCTION AND/OR EXCAVATION IT SHALL BE THE RESPONSIBILITY OF THE OWNER'S REPRESENTATIVE TO VERIFY THE LOCATION AND STATUS OF ANY PIPING, ELECTRICAL EQUIPMENT OR BUILDINGS.
3. ANY REVISIONS MADE TO EXISTING EQUIPMENT, PIPING OR ELECTRICAL ON A FACILITY NOT DESIGNED BY B.D.R. ENG. LTD. IS ONLY SHOWN AS A REPRESENTATION OF WHAT EXISTS AND MUST BE VERIFIED BY THE OWNER.

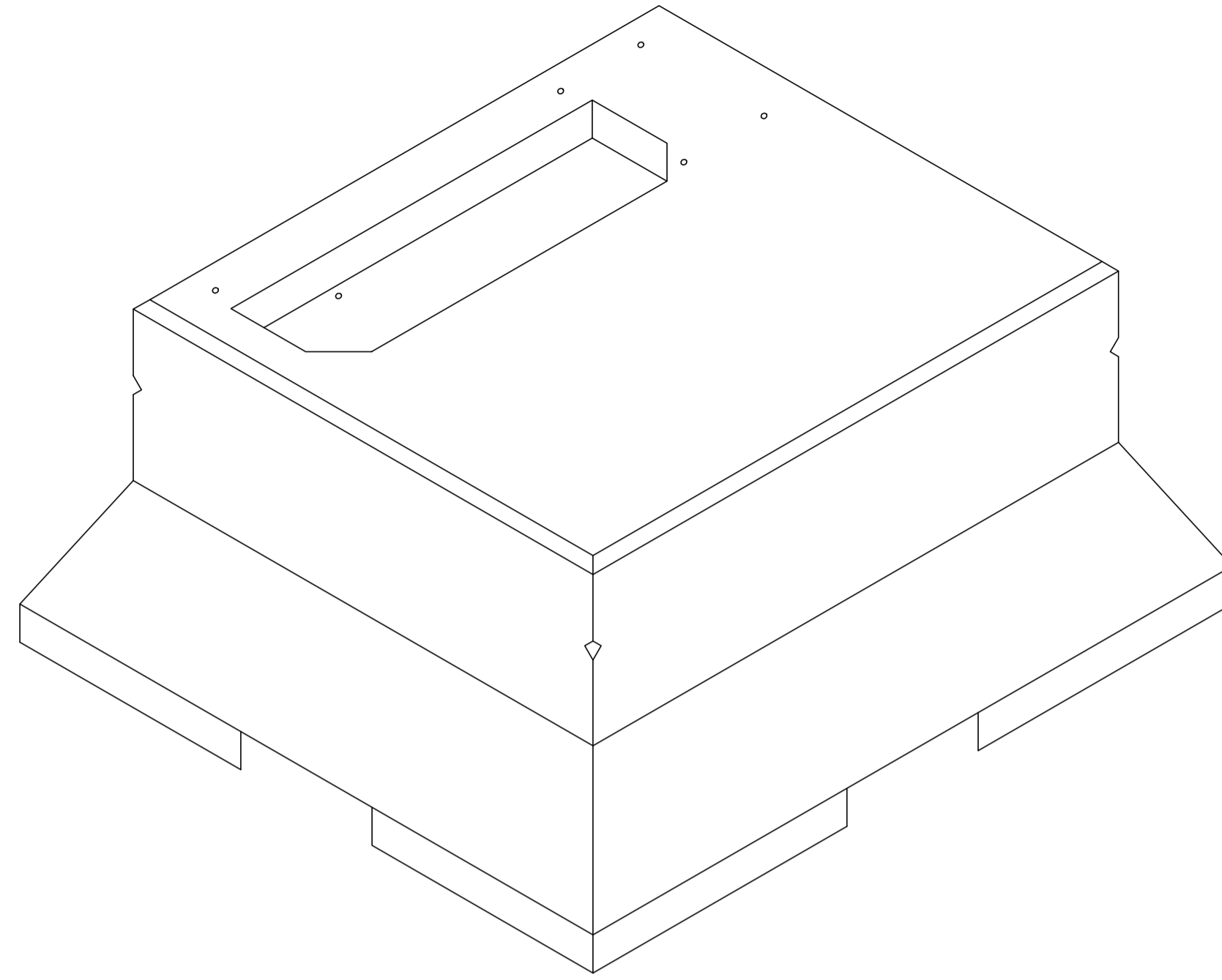
	BY	DATE
DESIGN	ATB	04.09.14
DRAWN	FC	04.09.14
CHK'D	BGO	05.10.19
APP'D	RLB	05.10.19
L.S.D.	15-10-62-06	WSM



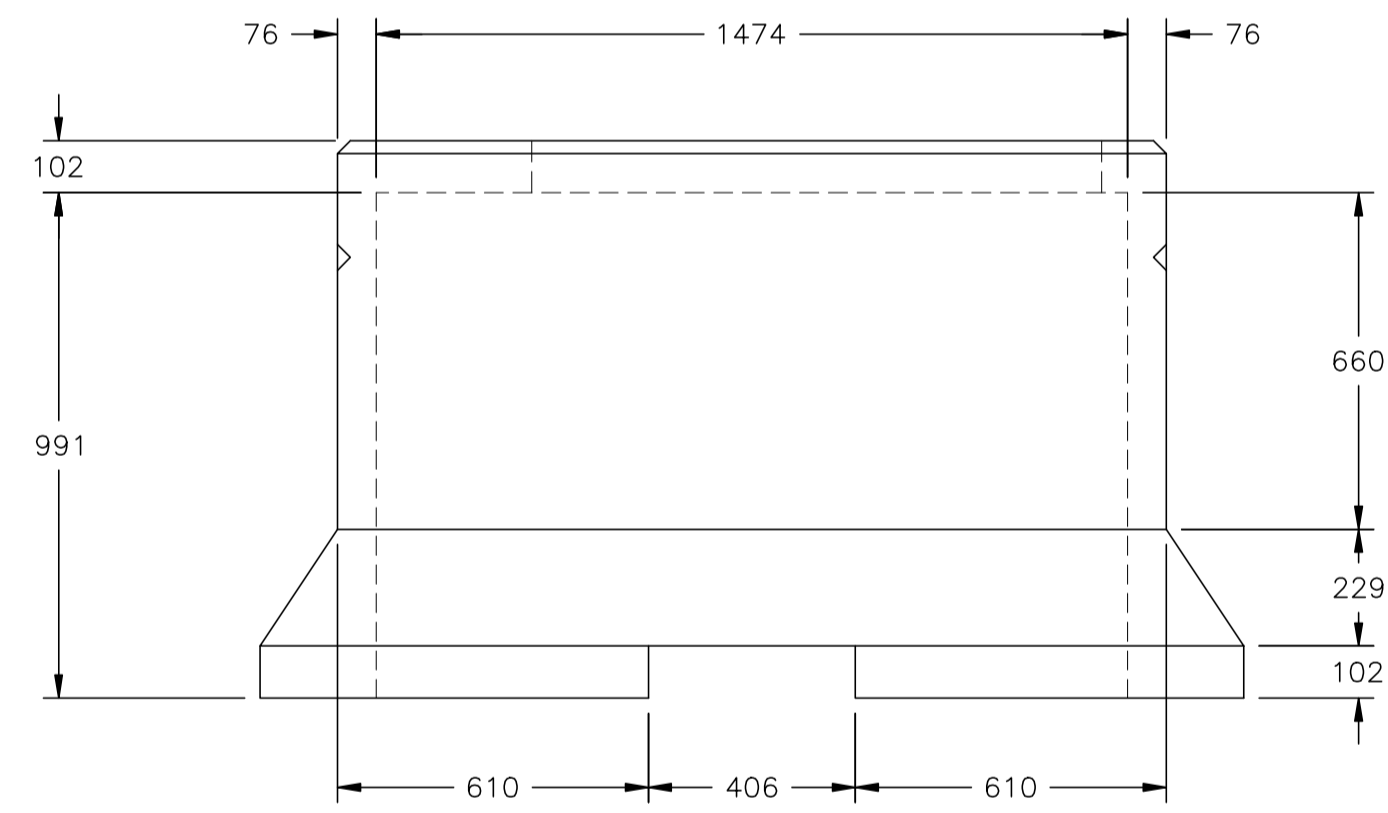
FORT ENERGY CORPORATION		
CORBETT GAS PLANT MCC BUILDING/TRANSFORMER AREA ELECTRICAL LAYOUT		
SCALE	DRAWING NUMBER	REV
1 : 30	D-23212-E-10-005	7



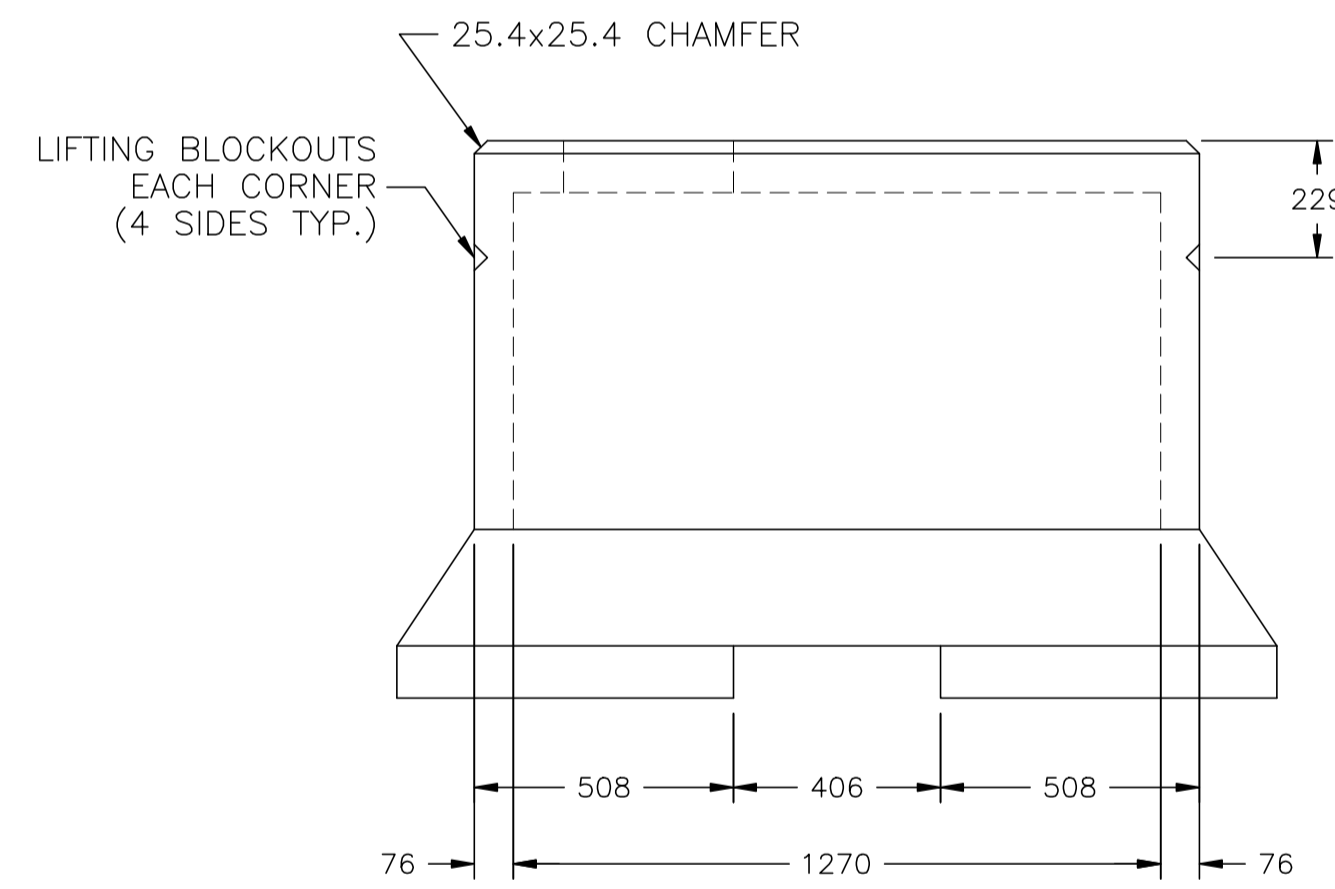
PLAN VIEW



ISOMETRIC VIEW



FRONT VIEW



SIDE VIEW

- NOTE:
1. MASS: 4940 LBS (2240 kg)
 2. MAXIMUM SUPERIMPOSED LOAD: 3000 kg
 3. ALL DIMENSIONS ARE IN MILLIMETERS UNLESS OTHERWISE INDICATED.

NO.	REVISION	PROJ. No.	BY	DATE	CHK.	DATE
1	POST CONSTRUCTION REVISIONS	43733	SM	05.02.02	ATB	05.02.02
0	ISSUED FOR CONSTRUCTION	43733	FC	04.11.05	ATB	04.11.05

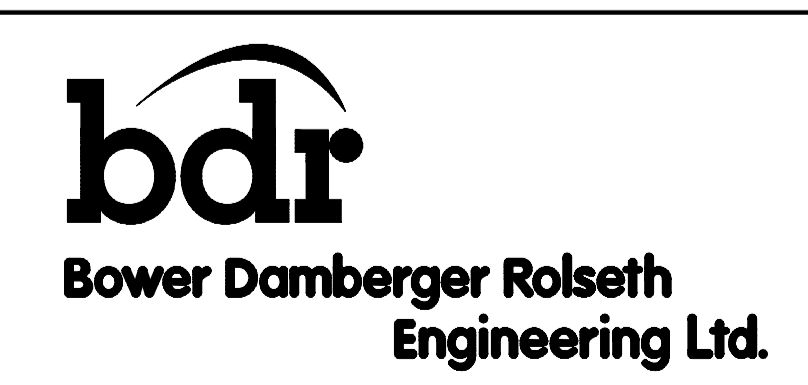
PERMIT STAMP:

STAMP APPLIED TO REV. 0 ONLY

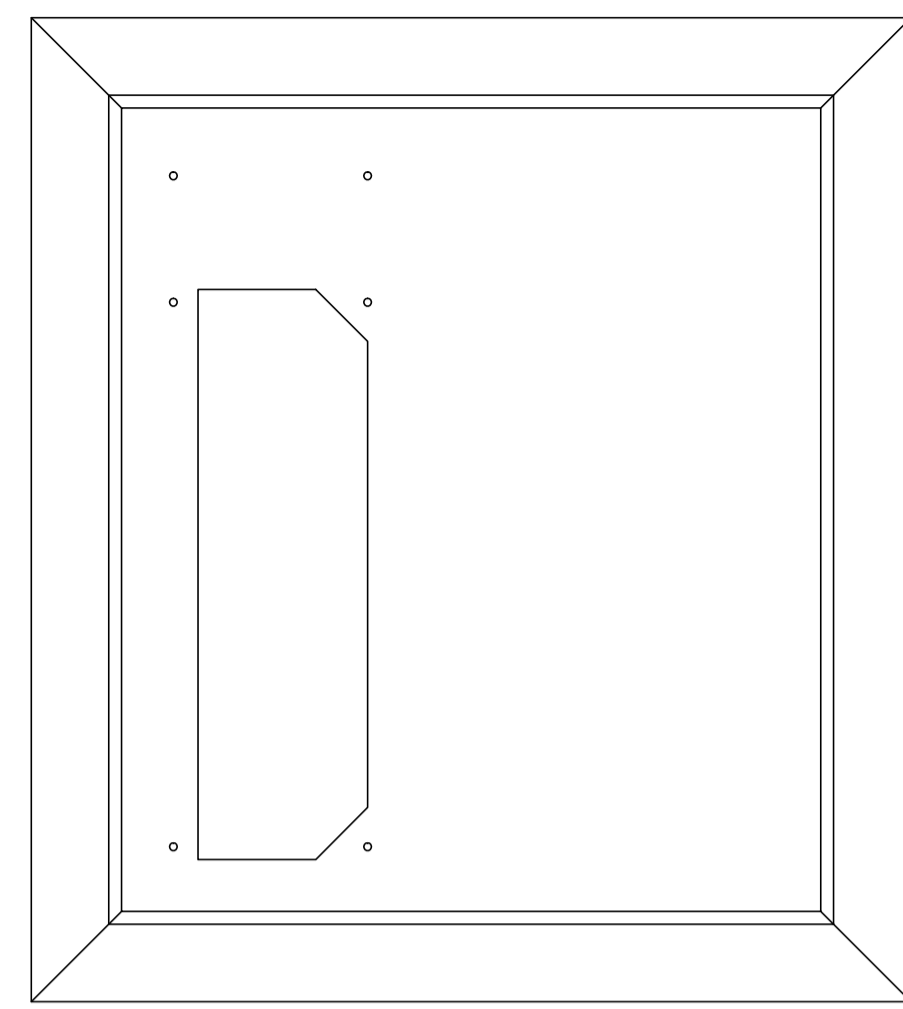
GENERAL NOTES:

1. "POST CONSTRUCTION DRAWINGS" ARE GENERATED FROM CONSTRUCTION CHANGE INFORMATION FORWARDED TO BOWER DAMBERGER ROLSETH ENGINEERING LTD. BY THE OWNER'S FIELD SUPERVISORS AND/OR FIELD CONTRACTORS. ANY CHANGES NOT DOCUMENTED WILL NOT APPEAR ON THE DRAWINGS AND THEREFORE THE DRAWING MAY NOT BE AN ACCURATE REPRESENTATION OF THE CONSTRUCTED FACILITY.
2. PRIOR TO THE COMMENCEMENT OF ANY CONSTRUCTION AND/OR EXCAVATION IT SHALL BE THE RESPONSIBILITY OF THE OWNER'S REPRESENTATIVE TO VERIFY THE LOCATION AND STATUS OF ANY PIPING, ELECTRICAL, EQUIPMENT OR BUILDINGS.
3. ANY REVISIONS MADE TO EXISTING EQUIPMENT, PIPING OR ELECTRICAL ON A FACILITY NOT DESIGNED BY B.D.R. ENG. LTD. IS ONLY SHOWN AS A REPRESENTATION OF WHAT EXISTS AND MUST BE VERIFIED BY THE OWNER.

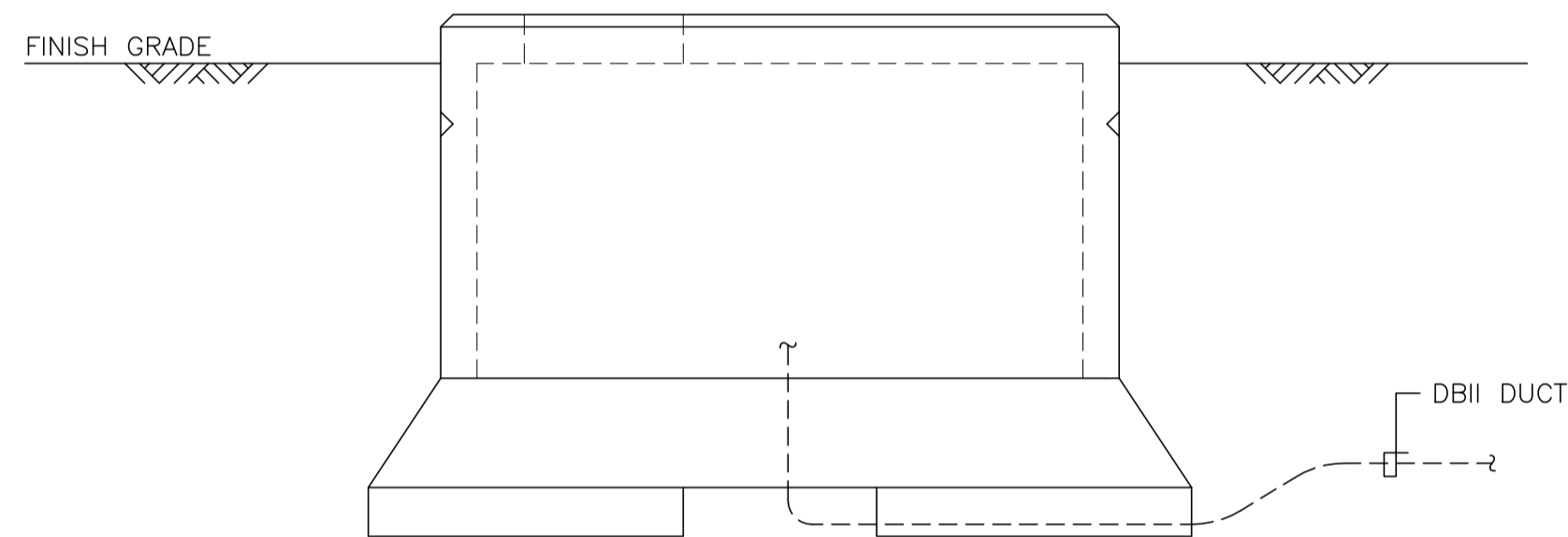
DRN.	BY	DATE
CHK.	FC	04.11.05
APP'D.		
L.S.D.	15-10-62-06	WSM



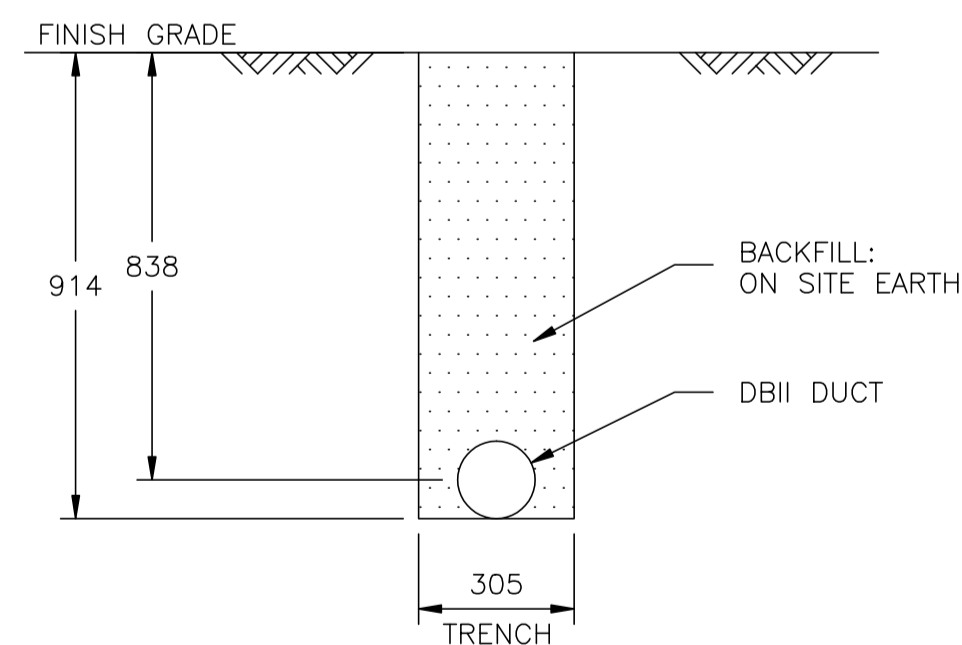
FORT ENERGY CORPORATION		
CORBETT GAS PLAN TRANSFORMER PAD DETAIL		
SCALE	DRAWING NUMBER	REV
1 : 15	D-23212-E-10-006	1



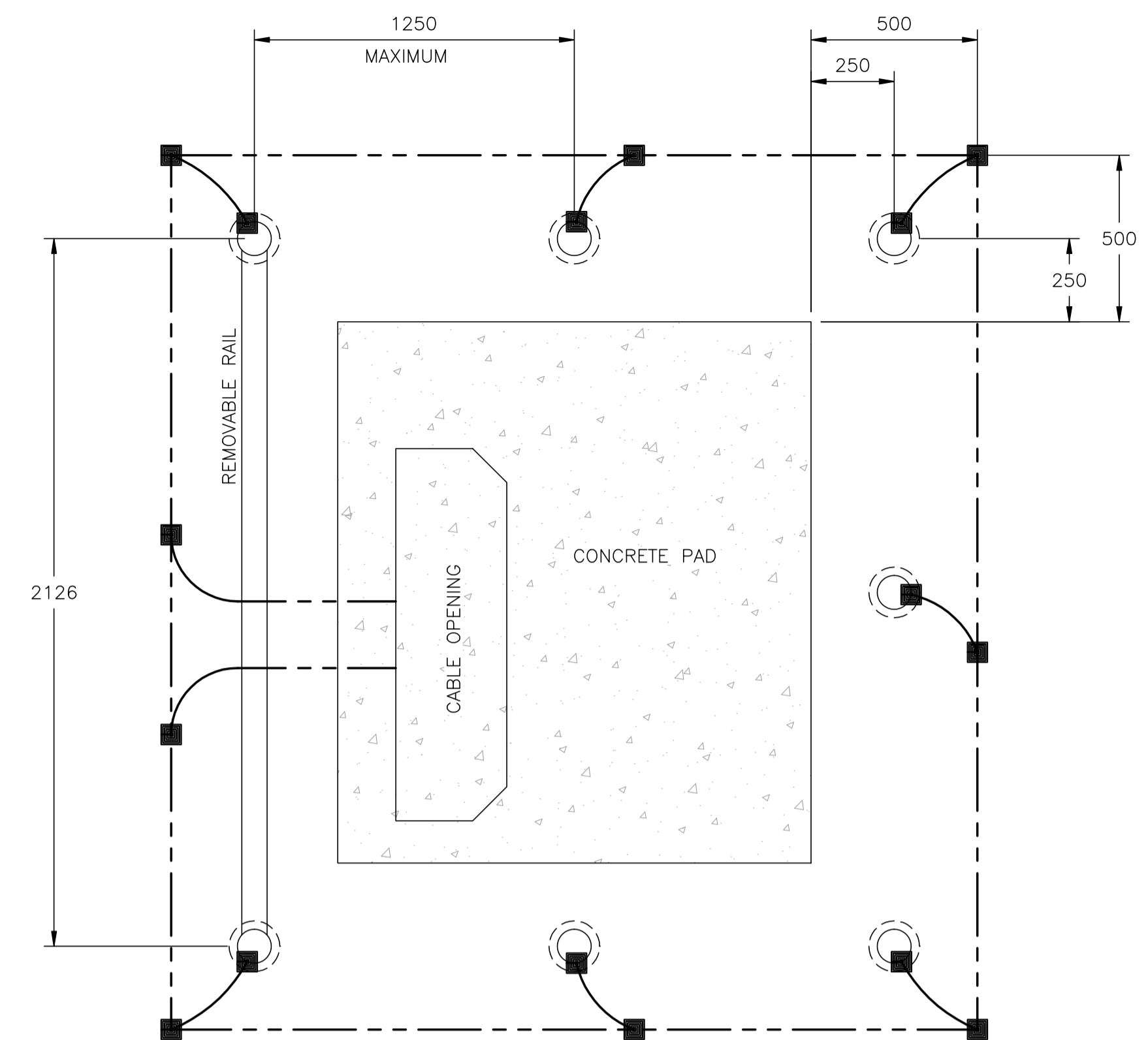
TRANSFORMER PAD PLAN VIEW



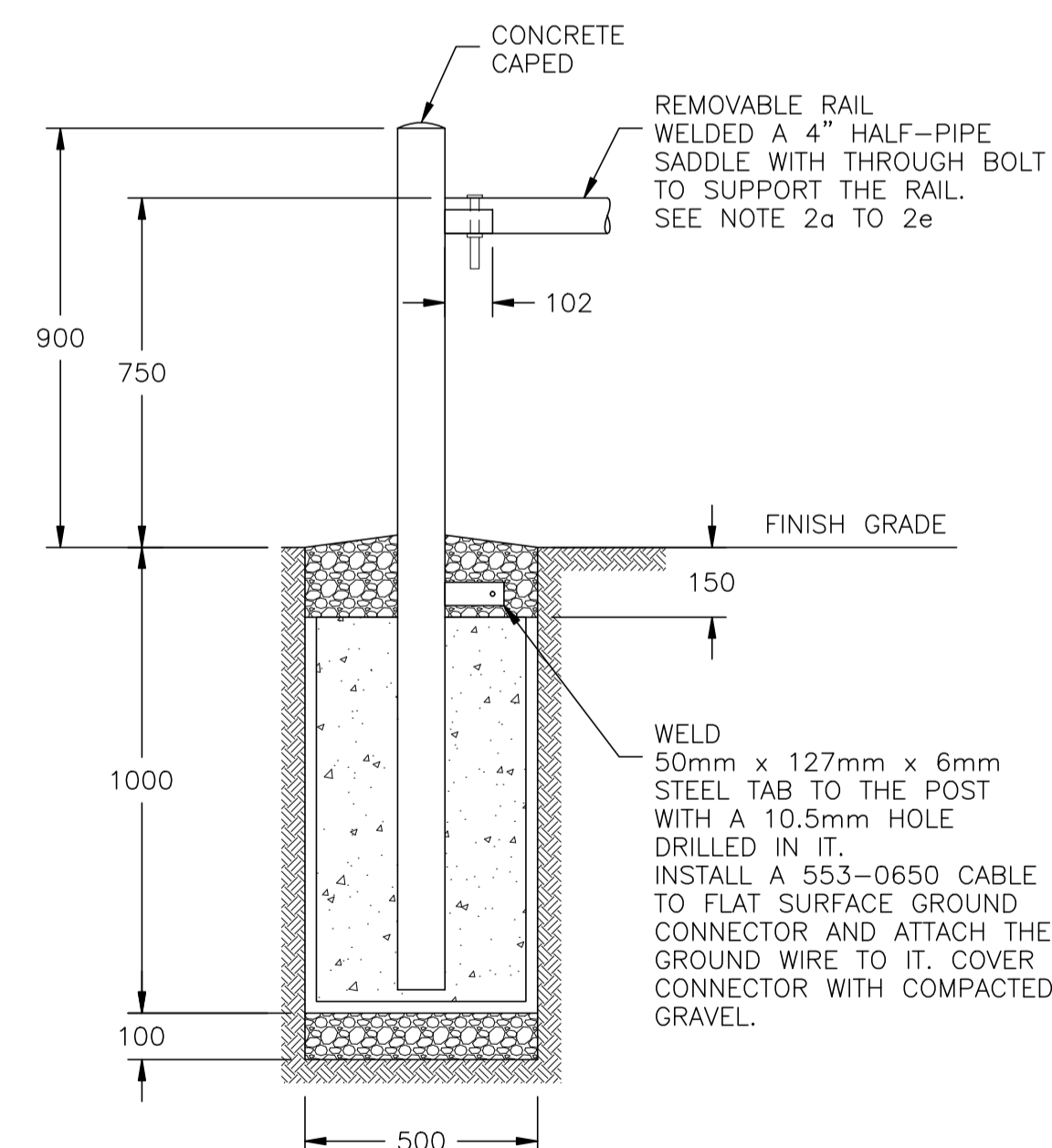
TRANSFORMER PAD SECTION VIEW



TYPICAL DUCT SECTION



PADMOUNT EQUIPMENT IN OPEN AREA
SUBJECT TO HEAVY TRAFFIC
SERVICE GUARD POST & RAIL LAYOUT



SERVICE GUARD POST DETAIL

NOTES:

- WHERE THE TRANSFORMER IS LOCATED IN AN EXPOSED AREA TO VEHICLE DAMAGE, THE GUARD POST MUST BE SUPPLIED BY THE CUSTOMER.
- MATERIAL:
 - POST TO BE 4" SCHEDULE 40 A-53 GALVANIZED PIPE TO BE FILLED WITH CONCRETE AND CAPPED WITH A 12mm CROWN FOR DRAINAGE
 - RAIL TO BE 2" SCHEDULE 40 A-53 GALVANIZED PIPE
 - REMOVABLE RAIL TO BE 3" SCHEDULE 40 A-53 GALVANIZED PIPE
 - RAIL SADDLE TO BE 4" SCHEDULE 40 A-53 GALVANIZED PIPE
 - DRILL A 20mm HOLE TO ACCOMMODATE A 3/4"x6" GALVANIZED BOLT COMPLETE WITH NUT AND WASHERS
 - ALL WELDS ARE TO BE PAINTED WITH COLD GALVANIZING COMPOUND
 - POST FILL AND ENCASEMENT: ASTM C94 FOR READY MIX OR ASTM C685 FOR SITE MIXED CONCRETE USING FINE OR COURSE AGGREGATE. THE PORTLAND CEMENT SHALL BE PER ASTM C150 AND TYPE 1a - GENERAL PURPOSE WITH A SEVEN DAY STANDING STRENGTH OF 2800 psi MINIMUM.
- IF RAIL IN FRONT OF EQUIPMENT DOOR IS REQUIRED, IT MUST BE REMOVABLE.
- THESE GUARD POST SHALL BE CONNECTED TO THE PADMOUNT TRANSFORMER GROUND SYSTEM USING:
 - #4 Cu FOR 1 PHASE AND #2/0 FOR 3 PHASE INSTALLATIONS IN ALBERTA
 - #2/0 Cu in B.C.
- THE REQUIREMENTS FOR GUARD POSTS INCLUDING THE NECESSITY LOCATION AND INSTALLATION MUST BE CONFIRMED WITH AQUILA NETWORKS CANADA PRIOR TO CONSTRUCTION.
- IF THERE IS A SECONDARY PEDESTAL ATTACHED TO THE EQUIPMENT/ TRANSFORMER PAD, THE GUARD POST & GROUND GRID SHOULD BE EXTENDED IN SUCH A WAY TO PROTECT THE PERIPHERAL EQUIPMENT ALSO.
- POST ENCASEMENT TO BE COMPACTED ALL AROUND WITH SUITABLE BACKFILL OR GRAVEL.
- UNLESS OTHERWISE INDICATED, ALL DIMENSIONS ARE IN MILLIMETERS.

NO.	REVISION	PROJ. No.	BY	DATE	CHK.	DATE
1	POST CONSTRUCTION REVISIONS	43733	SM	05.02.02	ATB	05.02.02
0	ISSUED FOR CONSTRUCTION	43733	FC	04.11.05	ATB	04.11.05

PERMIT STAMP:	STAMP APPLIED TO REV. 0 ONLY
---------------	------------------------------

GENERAL NOTES:
 1. "POST CONSTRUCTION DRAWINGS" ARE GENERATED FROM CONSTRUCTION CHANGE INFORMATION FORWARDED TO BOWER DAMBERGER ROLSETH ENGINEERING LTD. BY THE OWNER'S FIELD SUPERVISORS AND/OR FIELD CONTRACTORS. ANY CHANGES NOT DOCUMENTED WILL NOT APPEAR ON THE DRAWINGS AND THEREFORE THE DRAWING MAY NOT BE AN ACCURATE REPRESENTATION OF THE CONSTRUCTED FACILITY.
 2. PRIOR TO THE COMMENCEMENT OF ANY CONSTRUCTION AND OR EXCAVATION IT SHALL BE THE RESPONSIBILITY OF THE OWNER'S REPRESENTATIVE TO VERIFY THE LOCATION AND STATUS OF ANY PIPING, ELECTRICAL, EQUIPMENT OR BUILDINGS.
 3. ANY REVISIONS MADE TO EXISTING EQUIPMENT, PIPING OR ELECTRICAL ON A FACILITY NOT DESIGNED BY B.D.R. ENG. LTD. IS ONLY SHOWN AS A REPRESENTATION OF WHAT EXISTS AND MUST BE VERIFIED BY THE OWNER.

DRN.	BY	DATE
CHK.	FC	04.11.05
APP'D.		
L.S.D.	15-10-62-06 WSM	

FORT ENERGY CORPORATION		
CORBETT GAS PLAN TRANSFORMER PAD DETAIL		
SCALE	DRAWING NUMBER	REV
1 : 15	D-23212-E-10-007	1



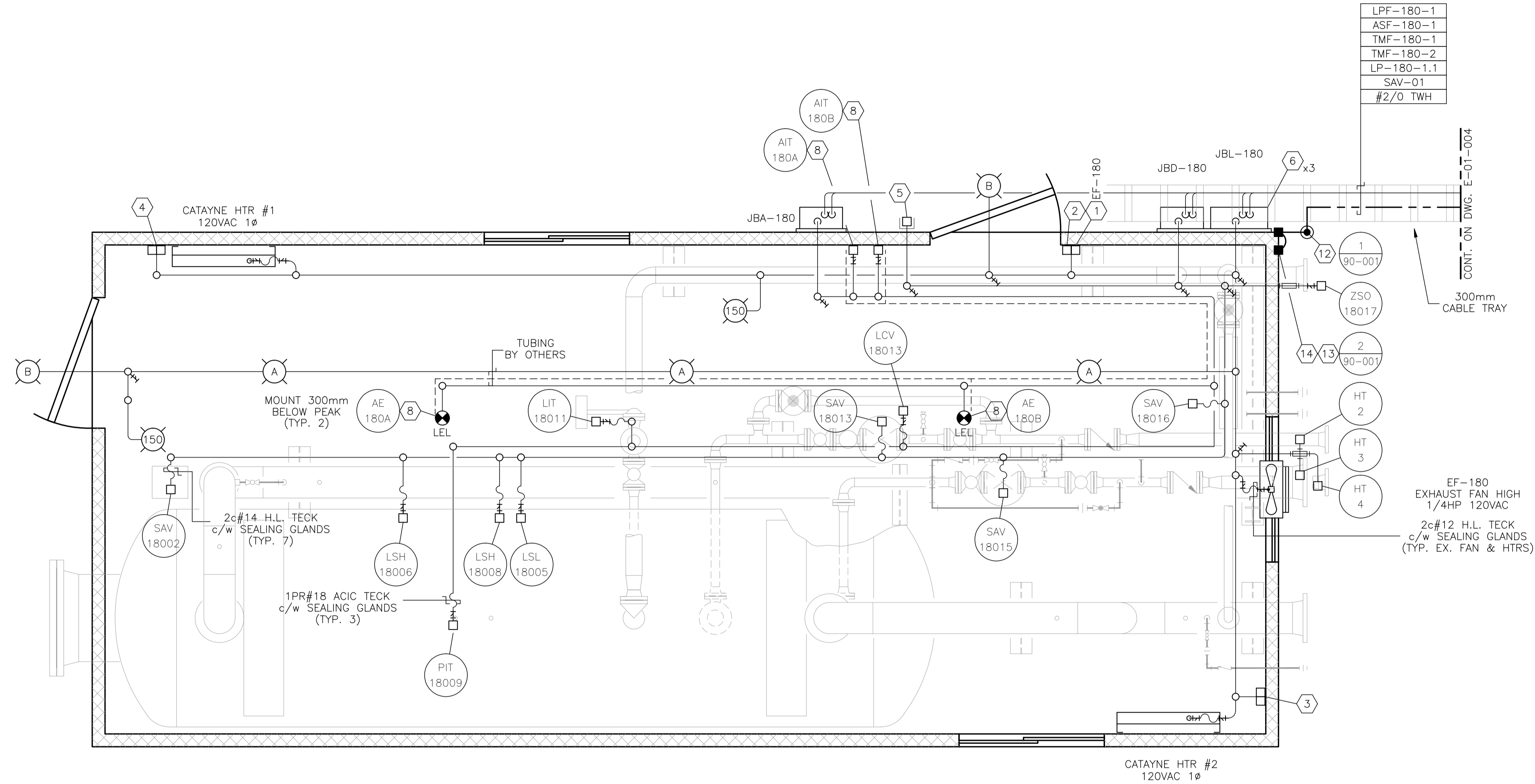
BILL OF MATERIALS
(AS REQUIRED)

FIXTURES

- A. CROUSE HINDS #EVLPA143151 120V, 150W HIGH PRESSURE SODIUM, PENDANT MOUNT FIXTURE c/w GLOBE, GUARD AND LAMP, CLASS 1, ZONE 1 & 2, EXPLOSION PROOF.
- B. CROUSE HINDS #VXHB25GP 120V, 150W INCANDESCENT, WALL MOUNT FIXTURE c/w GLOBE, GUARD, JUNCTION BOX AND LAMP, CLASS 1, DIV 2, FOR WET LOCATIONS.

MATERIALS

1. CROUSE HINDS #DSFS933 ON/OFF SWITCH, 277VAC, 20AMPS MAX. SINGLE POLE, CLASS 1, DIV 1, EXPLOSION PROOF, FACTORY SEALED.
2. CROUSE HINDS #CPS152R DELAYED ACTION RECEPTACLE, 115-250VAC, 20AMPS, 1HP MAX. CLASS 1, DIV 1, EXPLOSION PROOF.
3. CATADYNE HEATER 120VAC START STATION COMPRISED OF:
 - 1 - EFSC272 FEED THRU BOX,
 - 1 - DSFS933 ON/OFF SWITCH AND
 - 1 - DSD946J1 RED 120VAC PILOT LIGHT, EXPLOSION PROOF.
4. CATADYNE HEATER 120VAC START STATION COMPRISED OF:
 - 1 - EFSC272 FEED THRU BOX,
 - 1 - DSFS933 20AMP 3-WAY SWITCH AND
 - 1 - DSD946J1 RED 120VAC PILOT LIGHT, EXPLOSION PROOF.
5. CROUSE HINDS CEAG #GHG432KLM00SGT551211/2511 ESD PUSHBUTTON c/w RED SHROUD AND MIN. 4" x 6" ESD WARNING LAMICOID, CLASS 1, ZONE 1, EXPLOSION PROOF.
6. NEMA 4 STEEL ENCLOSURE SIZED AS PER DRAWING c/w BACK PAN, TERMINAL BLOCKS AND MOUNTING HARDWARE.
7. HOFFMAN #A-NM6 JUNCTION BOX DRAIN SEAL.
8. NET SAFETY MOD. #MLP-A-SC1100-SEP MILLENNIUM COMBUSTIBLE GAS DETECTOR, 24VDC c/w 4-20mA SIGNAL OUTPUT, SEPARATOR KIT AND CCS-1 SPLASH GUARD.
9. NET SAFETY MOD. #UVS-AR STAND ALONE UV FIRE DETECTOR, 24VDC c/w 4-20mA SIGNAL OUTPUT, RELAY OUTPUT BOARD, SWIVEL AND JB4-UV-T ASSY.
10. #2/0-#2/0 C-TAP SPLICE, INSTALLED c/w TAPE AND GLYPTOL SPRAY.
11. #2/0-#2 C-TAP SPLICE, INSTALLED c/w TAPE AND GLYPTOL SPRAY.
12. 300mm x 75mm COPPER CLUB GROUND RODS c/w
 - GROUND WELL;
 - INSPECTION COVER;
 - GROUND ROD (#2/0).
13. GROUNDING SERVIT POST - #2/0 OR #2 AS REQUIRED.
14. BUILDING BONDING PLATE c/w #2 CRIMP-ON LUG.



LPF-180-1
ASF-180-1
TMF-180-1
TMF-180-2
LP-180-1.1
SAV-01
#2/0 TWH

INLET BUILDING
3600 x 8300
EAVE HEIGHT - 3353

NOTES:

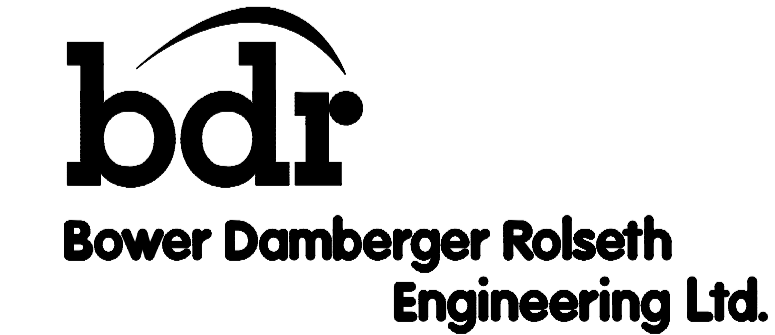
1. ALL WIRING TO THE SKID DEVICES SHALL BE TAKEN FROM THE RIGHTHAND SIDE OF THE TERMINALS, DIRECT WITHOUT SPLICES OF ANY KIND.
2. WIRING FOR ALL DEVICES SHALL BE TAGGED AS PER J.BOX LAYOUTS.
3. FIELD CONTRACTOR TO ENSURE ALL INCOMING/EXITING TECK CABLES ARE c/w GROUNDING BUSHINGS.
4. ALL J.BOXES ARE TO HAVE LAMICOID NAME PLATES AS PER DRAWINGS.
5. FIELD CONTRACTOR WILL BE RESPONSIBLE FOR GROUNDING AS WELL AS THE PACKING AND POURING OF ALL SEALS. THIS APPLIES WHETHER OR NOT THE SKID ARRIVES PRE-WIRED.
6. CONDUIT METHOD WILL BE RA c/w ALL FITTINGS.
7. ALL CABLES TO ENTER/EXIT THE BOTTOM OF THE J.BOXES. ALL CONDUIT TO ENTER/EXIT THE TOP OF THE J.BOXES VIA MYERS HUB.
8. THE INTERIOR OF THIS SKID IS CLASSIFIED CLASS-1 ZONE-1. THE EXTERIOR OF THIS SKID IS CLASSIFIED CLASS-1 ZONE-2 FOR THE FIRST 3 METERS.
9. INSTALLATION TO BE DONE ACCORDING TO GENERAL SPEC. INCLUDED WITH BID PACKAGE.
10. LEL DETECTORS TO BE INSTALLED USING OWNER SUPPLIED SEPARATION KITS. SEPARATION KITS TO BE MOUNTED ON WALL @ APPROXIMATELY 1500mm TO CENTER.
11. ALL VERTICAL CABLE TRAY RISERS ARE TO BE COMPLETE WITH PROPER SUPPORTS AND ALUMINUM TRAY COVER.
12. WINDOWS AND DOORS ARE NOT TO BE USED FOR VENTILATION.

NO.	REVISION	PROJ. No.	BY	DATE	CHK.	DATE
4	POST CONSTRUCTION REVISIONS	43733	SM	05.02.02	ATB	05.02.02
3	ISSUED FOR CONSTRUCTION	43733	FC	04.10.28	ATB	04.11.01
2	ISSUED FOR FIELD BID	43733	FC	04.10.15	ATB	04.10.15
1	ISSUED FOR SKID CONSTRUCTION	43733	FC	04.10.14	ATB	04.10.14
0	ISSUED FOR APPROVAL	43733	PC	04.08.23	ATB	04.10.12

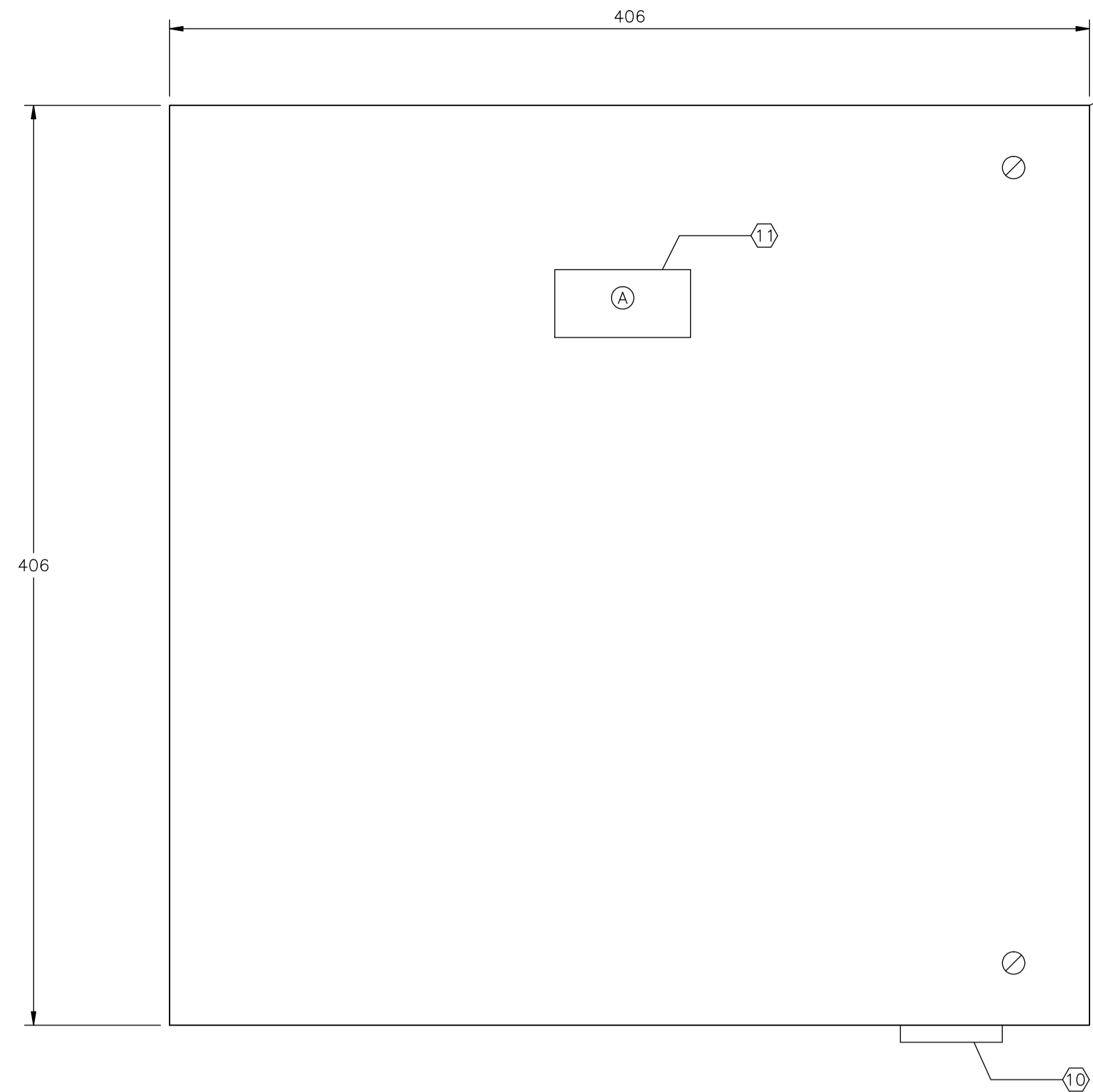
PERMIT STAMP:	STAMP APPLIED TO REV. 3 ONLY
----------------------	------------------------------

GENERAL NOTES:
1. "POST CONSTRUCTION DRAWINGS" ARE GENERATED FROM CONSTRUCTION CHANGE INFORMATION FORWARDED TO BOWER DAMBERGER ROLSETH ENGINEERING LTD. BY THE OWNER'S FIELD SUPERVISORS AND/OR FIELD CONTRACTORS. ANY CHANGES NOT DOCUMENTED WILL NOT APPEAR ON THE DRAWINGS AND THEREFORE THE DRAWING MAY NOT BE AN ACCURATE REPRESENTATION OF THE CONSTRUCTED FACILITY.
2. PRIOR TO THE COMMENCEMENT OF ANY CONSTRUCTION AND/OR EXCAVATION IT SHALL BE THE RESPONSIBILITY OF THE OWNER'S REPRESENTATIVE TO VERIFY THE LOCATION AND STATUS OF ANY PIPING, ELECTRICAL, EQUIPMENT OR BUILDINGS.
3. ANY REVISIONS MADE TO EXISTING EQUIPMENT, PIPING OR ELECTRICAL ON A FACILITY NOT DESIGNED BY B.D.R. ENG. LTD. IS ONLY SHOWN AS A REPRESENTATION OF WHAT EXISTS AND MUST BE VERIFIED BY THE OWNER.

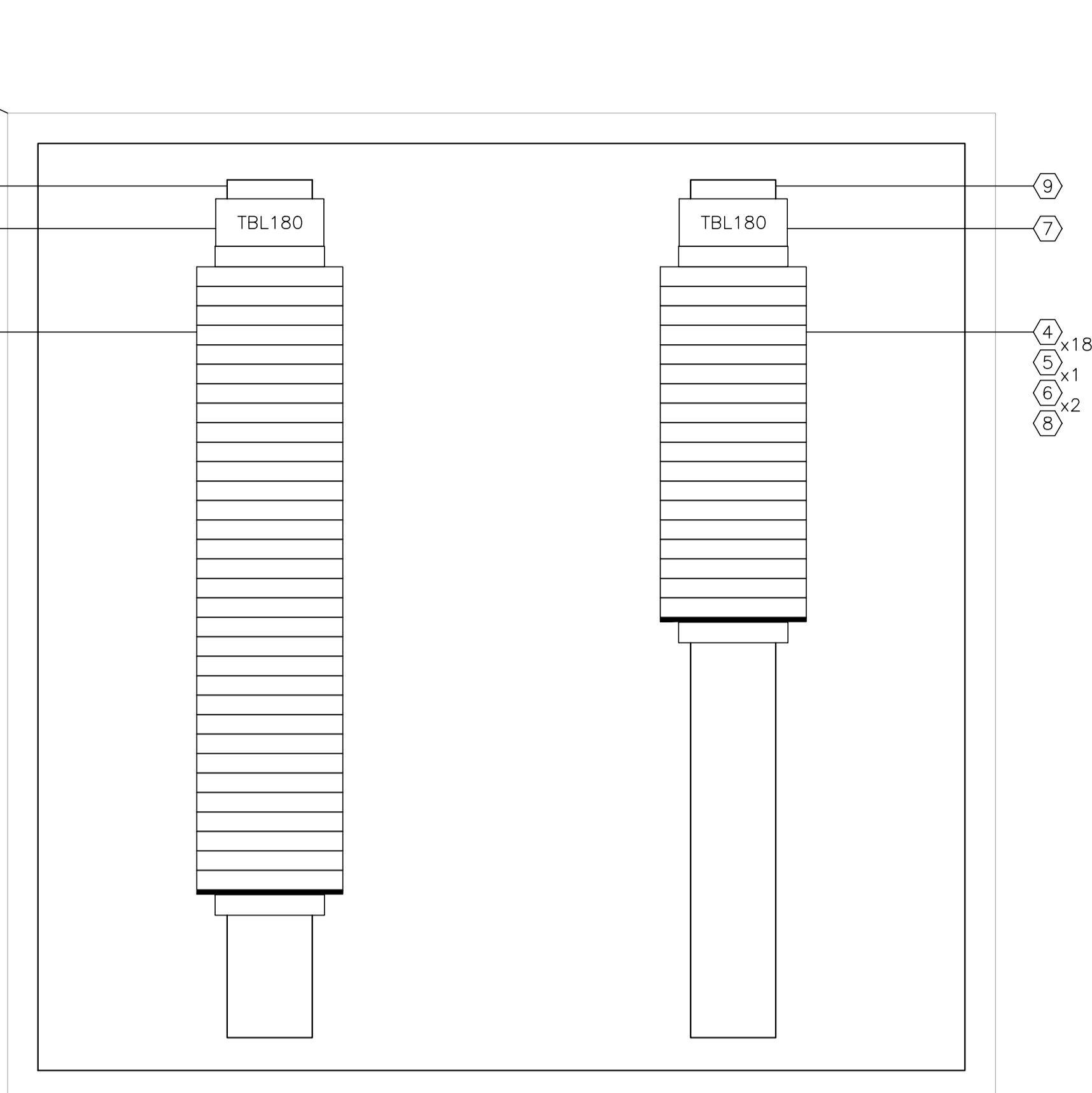
DRN.	BY	DATE
CHK.	PC	04.08.23
APP'D.		
L.S.D.	15-10-62-06 WSM	



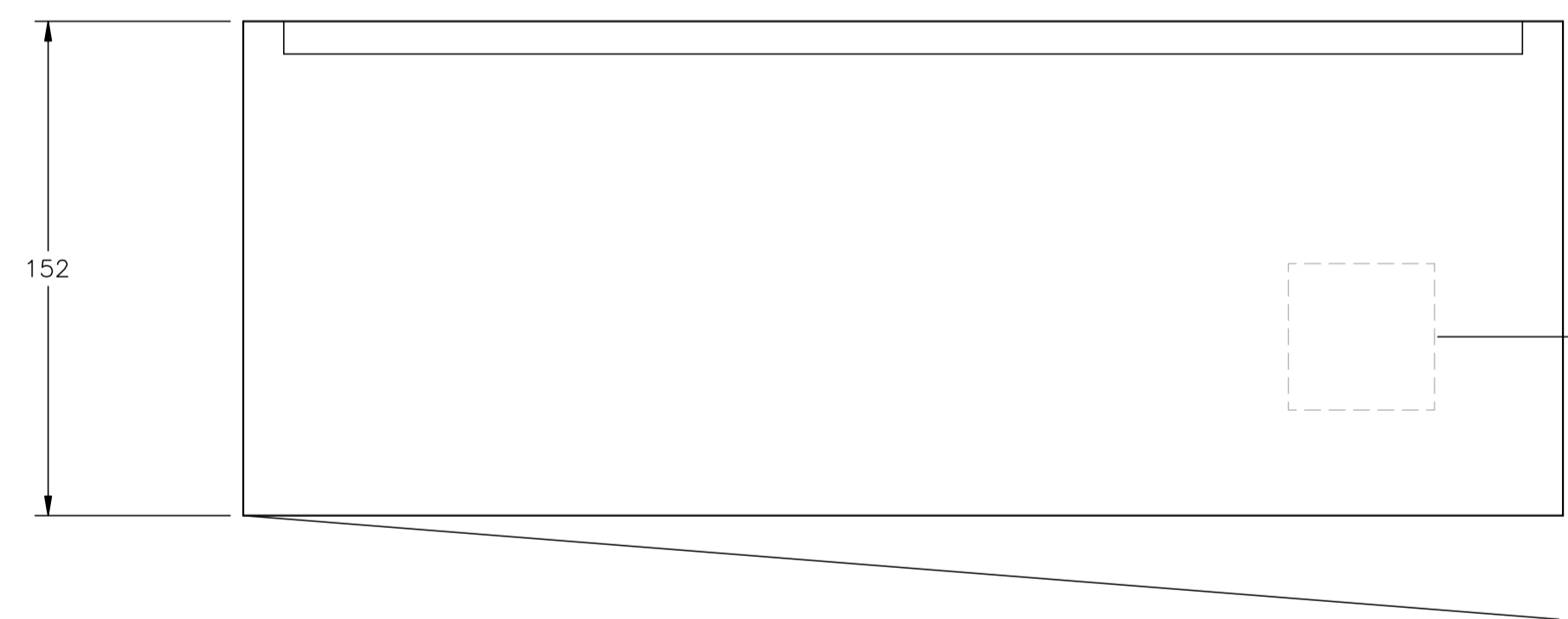
FORT ENERGY CORPORATION		
CORBETT GAS PLANT		
V-180 INLET BUILDING ELECTRICAL LAYOUT		
SCALE	DRAWING NUMBER	REV
1 : 20	D-23212-E-11-001	4



FRONT PANEL VIEW



BACK PANEL VIEW



TOP VIEW

V-180 INLET BUILDING
JBL-180 - 120VAC UTILITIES
(SEE DWG. E-11-012 FOR WIRING DETAILS)

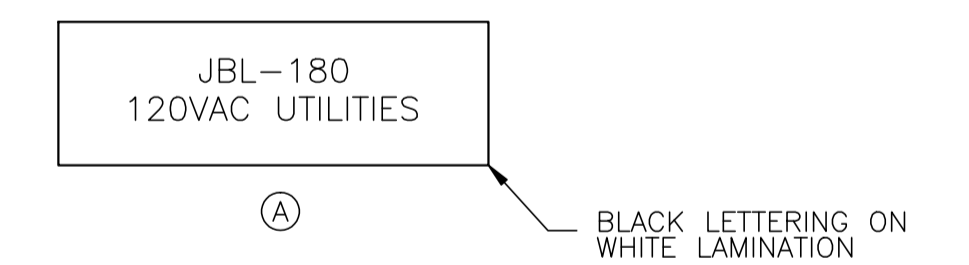
CUSTOM ENCLOSURE BILL OF MATERIALS

ITEM	QTY	DESCRIPTION
1	1	CUSTOM STEEL NEMA 4, WEATHERPROOF RATED ENCLOSURE; - 406mmH x 406mmW x 152mmD (EXTERIOR DIMENSIONS); - FULL HEIGHT DOOR c/w CSD TYPE CLOSURES; - HEAVY DUTY HINGE; - c/w (1) BACKPAN.
2	-	WEIDMULLER WDU-2.5 TERMINALS c/w ACCESSORIES.
3	-	WEIDMULLER WDU-4 TERMINALS c/w ACCESSORIES.
4	50	WEIDMULLER WDU-6 TERMINALS c/w ACCESSORIES.
5	2	WEIDMULLER WAP-2.5/4/6/10 END PLATE.
6	4	WEIDMULLER EW-35 END BRACKET.
7	2	WEIDMULLER SHT-5 GROUP TAG HOLDER.
8	AS REQ'D	DEKAFIX MARKING TAG (#1-#32, #33-50).
9	AS REQ'D	WEIDMULLER TS35 MOUNTING RAIL.
10	1	HOFFMAN #A-NMV6 DRAIN SEAL.
11	1	25mm x 75mm LAMICOID.

CONSTRUCTION - LAYOUT NOTE:

- BACKPAN SIZE TO BE DETERMINED BY PANEL MANUFACTURER BASED ON SPACE UTILIZATION WITH THE SHOWN LAYOUT.
- | | |
|--------------------------|---------------------------|
| <input type="checkbox"/> | AC PANUIT |
| <input type="checkbox"/> | DC PANUIT |
| <input type="checkbox"/> | INTRINSICALLY SAFE PANUIT |
- PANEL OUTER DIMENSIONS TO BE AS SHOWN ±6mm ANY DEVIATION TO BE APPROVED BY OWNER.
- LAYOUT SHOWN FOR REFERENCE ONLY; ACTUAL EQUIPMENT DIMENSIONS SHALL GOVERN.

LAMICOID/ENGRAVING DETAIL

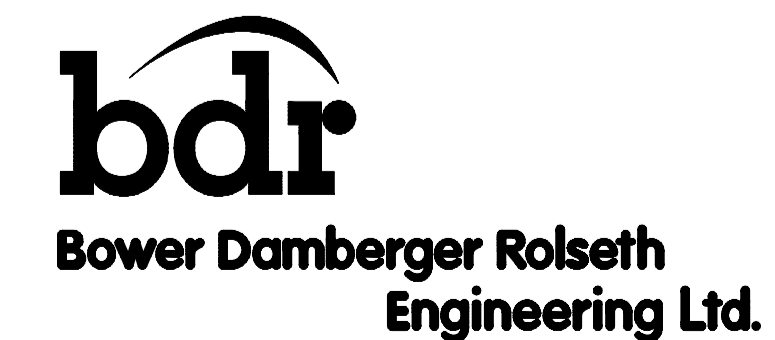


NO.	REVISION	PROJ. No.	BY	DATE	CHK.	DATE
4	POST CONSTRUCTION REVISIONS	43733	SM	05.02.02	ATB	05.02.02
3	ISSUED FOR CONSTRUCTION	43733	FC	04.10.28	ATB	04.11.01
2	ISSUED FOR FIELD BID	43733	FC	04.10.15	ATB	04.10.15
1	ISSUED FOR SKID CONSTRUCTION	43733	FC	04.10.14	ATB	04.10.14
0	ISSUED FOR APPROVAL	43733	PC	04.08.23	ATB	04.10.12

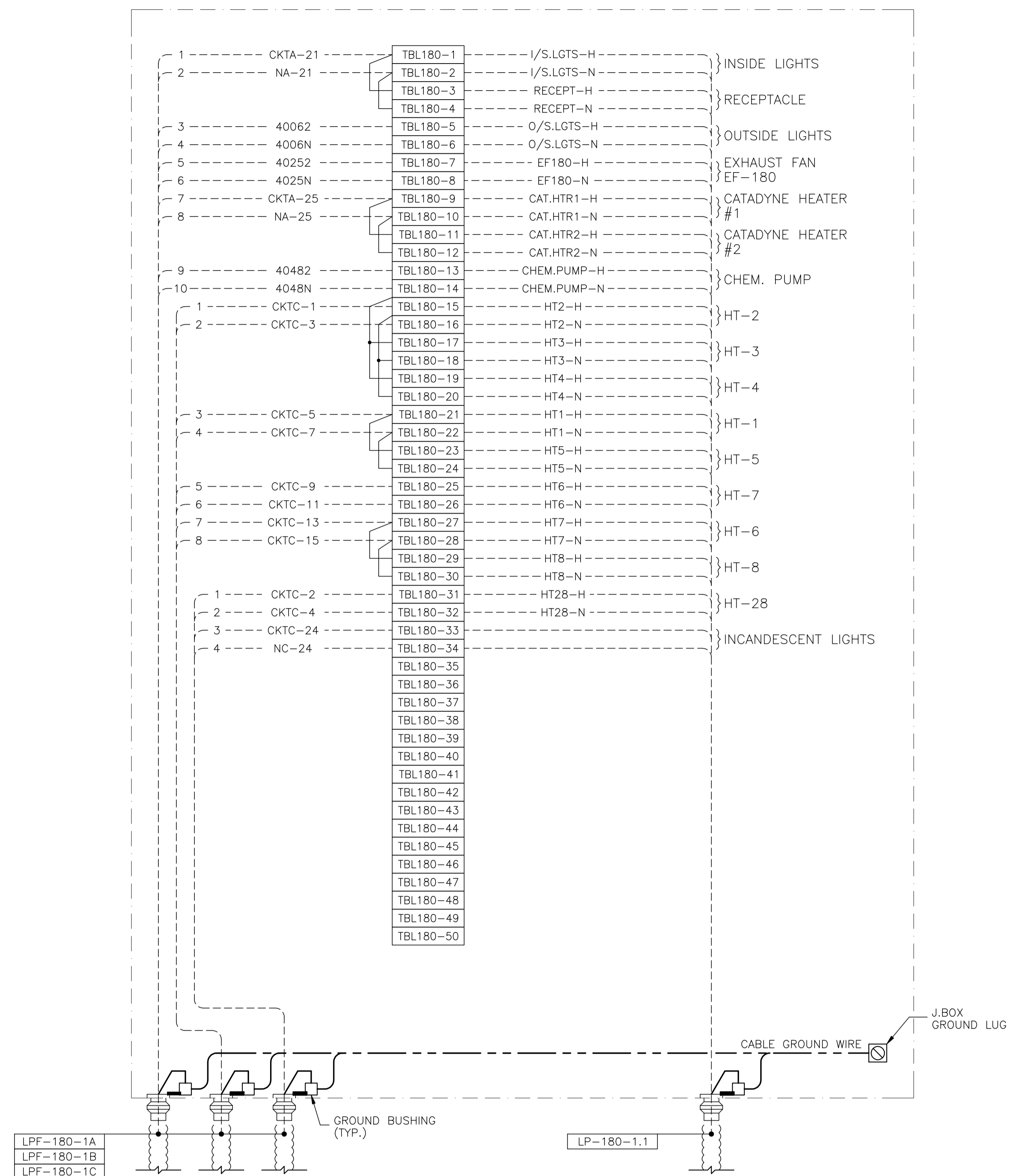
PERMIT STAMP:	STAMP APPLIED TO REV. 3 ONLY

GENERAL NOTES:	
1.	"POST CONSTRUCTION DRAWINGS" ARE GENERATED FROM CONSTRUCTION CHANGE INFORMATION FORWARDED TO BOWER DAMBERGER ROLSETH ENGINEERING LTD. BY THE OWNER'S FIELD SUPERVISORS AND/OR MISC CONTRACTORS. ANY CHANGES NOT DOCUMENTED WILL NOT APPEAR ON THE DRAWINGS AND THEREFORE THE DRAWING MAY NOT BE AN ACCURATE REPRESENTATION OF THE CONSTRUCTED FACILITY.
2.	PRIOR TO THE COMMENCEMENT OF ANY CONSTRUCTION AND/OR EXCAVATION IT SHALL BE THE RESPONSIBILITY OF THE OWNER'S REPRESENTATIVE TO VERIFY THE LOCATION AND STATUS OF ANY PIPING, ELECTRICAL EQUIPMENT OR BUILDINGS.
3.	ANY REVISIONS MADE TO EXISTING EQUIPMENT, PIPING OR ELECTRICAL ON A FACILITY NOT DESIGNED BY B.D.R. ENG. LTD. IS ONLY SHOWN AS A REPRESENTATION OF WHAT EXISTS AND MUST BE VERIFIED BY THE OWNER.

DRN.	BY	DATE
CHK.	PC	04.08.23
APP'D.		
L.S.D.	15-10-62-06 WSM	



FORT ENERGY CORPORATION		
CORBETT GAS PLANT V-180 INLET BUILDING J.BOX JBL-180 LAYOUT		
SCALE	DRAWING NUMBER	REV
1 : 2	D-23212-E-11-011	4



JBL-180 - 120VAC UTILITIES

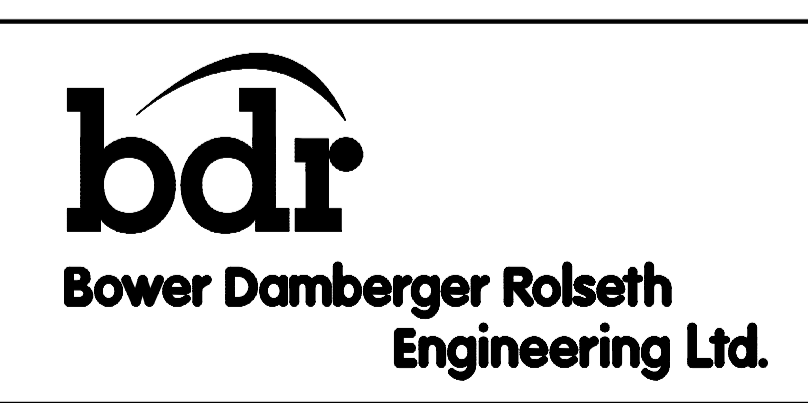
NO.	REVISION	PROJ. No.	BY	DATE	CHK.	DATE
4	POST CONSTRUCTION REVISIONS	43733	SM	05.02.02	ATB	05.02.02
3	ISSUED FOR CONSTRUCTION	43733	FC	04.10.28	ATB	04.11.01
2	ISSUED FOR FIELD BID	43733	FC	04.10.15	ATB	04.10.15
1	ISSUED FOR SKID CONSTRUCTION	43733	FC	04.10.14	ATB	04.10.14
0	ISSUED FOR APPROVAL	43733	PC	04.08.23	ATB	04.10.12

PERMIT STAMP:	STAMP APPLIED TO REV. 3 ONLY
---------------	------------------------------

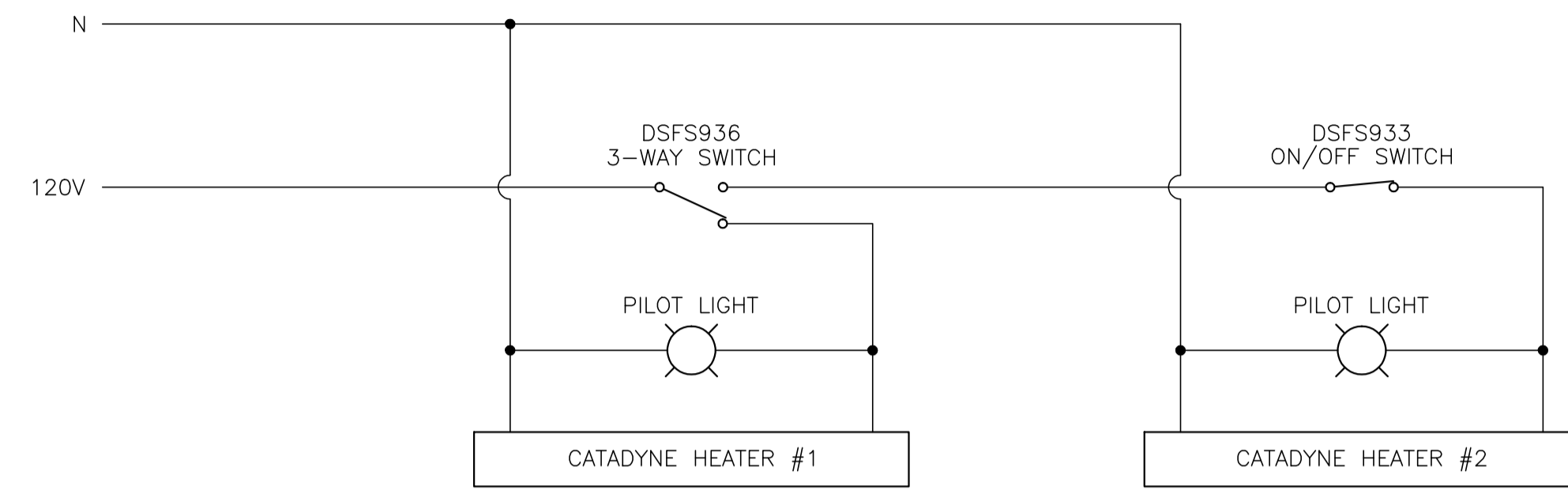
GENERAL NOTES:

- "POST CONSTRUCTION DRAWINGS" ARE GENERATED FROM CONSTRUCTION CHANGE INFORMATION FORWARDED TO BOWER DAMBERGER ROLSETH ENGINEERING LTD. BY THE OWNER'S FIELD SUPERVISORS AND/OR BIDDING CONTRACTORS. ANY CHANGES NOT DOCUMENTED WILL NOT APPEAR ON THE DRAWINGS AND THEREFORE THE DRAWING MAY NOT BE AN ACCURATE REPRESENTATION OF THE CONSTRUCTED FACILITY.
- PRIOR TO THE COMMENCEMENT OF ANY CONSTRUCTION AND/OR EXCAVATION IT SHALL BE THE RESPONSIBILITY OF THE OWNER'S REPRESENTATIVE TO VERIFY THE LOCATION AND STATUS OF ANY PIPING, ELECTRICAL EQUIPMENT OR BUILDINGS.
- ANY REVISIONS MADE TO EXISTING EQUIPMENT, PIPING OR ELECTRICAL ON A FACILITY NOT DESIGNED BY B.D.R. ENG. LTD. IS ONLY SHOWN AS A REPRESENTATION OF WHAT EXISTS AND MUST BE VERIFIED BY THE OWNER.

	BY	DATE
DRN.	PC	04.08.23
CHK.		
APP'D.		
L.S.D.	15-10-62-06	WSM



FORT ENERGY CORPORATION		
CORBETT GAS PLANT		
V-180 INLET BUILDING J.BOX JBL-180 WIRING DETAIL		
SCALE	DRAWING NUMBER	REV
N/A	D-23212-E-11-012	4



CATADYNE HEATERS INSTALLATION DETAILS

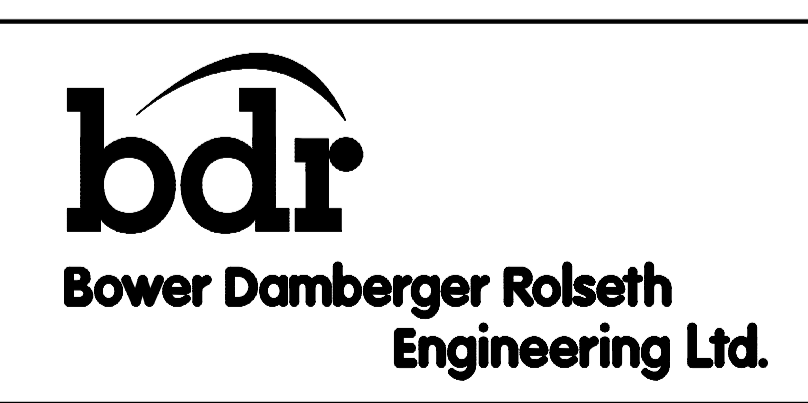
NO.	REVISION	PROJ. No.	BY	DATE	CHK.	DATE
4	POST CONSTRUCTION REVISIONS	43733	SM	05.02.02	ATB	05.02.02
3	ISSUED FOR CONSTRUCTION	43733	FC	04.10.28	ATB	04.11.01
2	ISSUED FOR FIELD BID	43733	FC	04.10.15	ATB	04.10.15
1	ISSUED FOR SKID CONSTRUCTION	43733	FC	04.10.14	ATB	04.10.14
0	ISSUED FOR APPROVAL	43733	FC	04.09.30	ATB	04.10.04

PERMIT STAMP:	STAMP APPLIED TO REV. 2 ONLY
----------------------	------------------------------

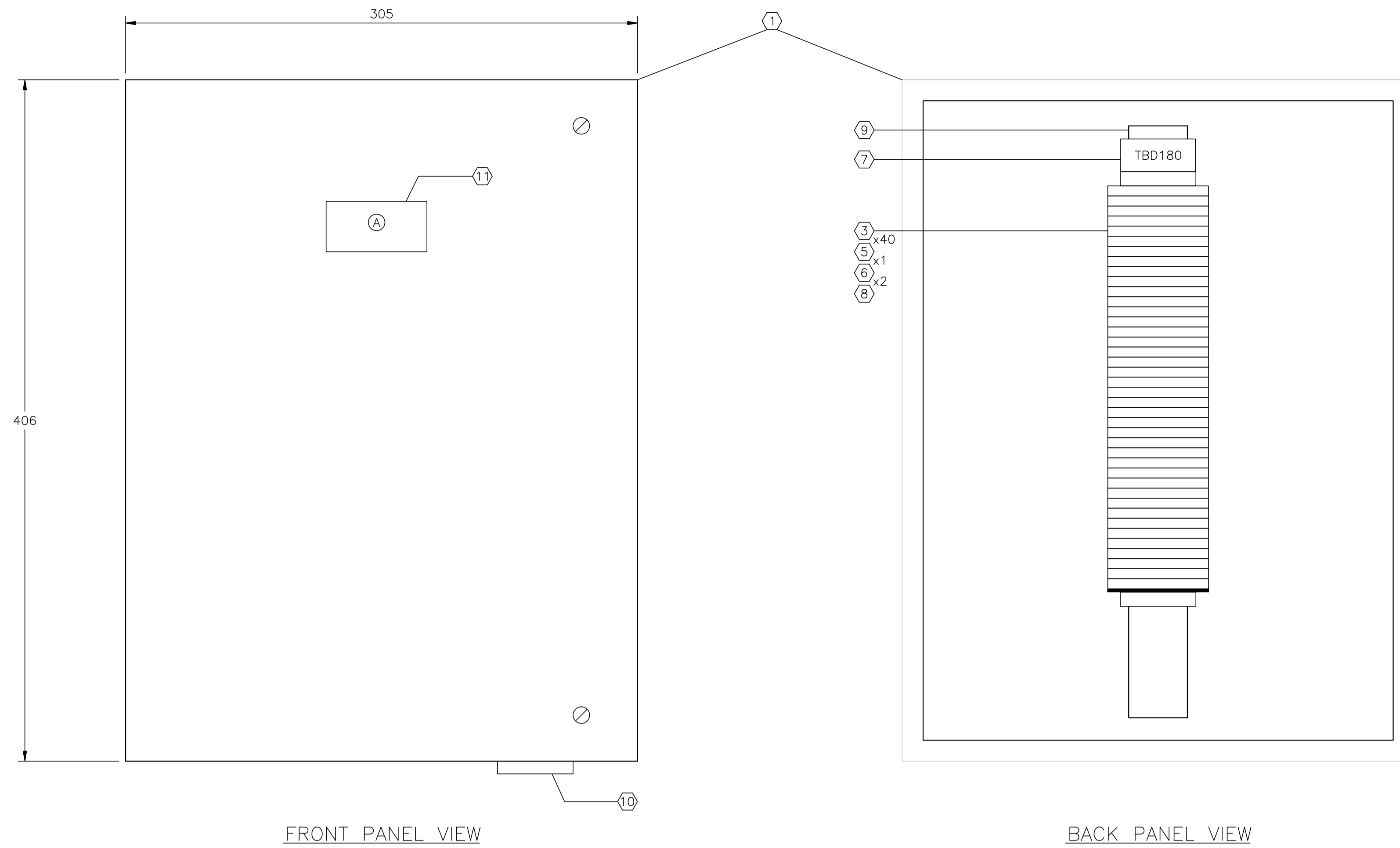
GENERAL NOTES:

- "POST CONSTRUCTION DRAWINGS" ARE GENERATED FROM CONSTRUCTION CHANGE INFORMATION FORWARDED TO BOWER DAMBERGER ROLSETH ENGINEERING LTD. BY THE OWNER'S FIELD SUPERVISORS AND/OR BIDDING CONTRACTORS. ANY CHANGES NOT DOCUMENTED WILL NOT APPEAR ON THE DRAWINGS AND THEREFORE THE DRAWING MAY NOT BE AN ACCURATE REPRESENTATION OF THE CONSTRUCTED FACILITY.
- PRIOR TO THE COMMENCEMENT OF ANY CONSTRUCTION AND/OR EXCAVATION IT SHALL BE THE RESPONSIBILITY OF THE OWNER'S REPRESENTATIVE TO VERIFY THE LOCATION AND STATUS OF ANY PIPING, ELECTRICAL EQUIPMENT OR BUILDINGS.
- ANY REVISIONS MADE TO EXISTING EQUIPMENT, PIPING OR ELECTRICAL ON A FACILITY NOT DESIGNED BY B.D.R. ENG. LTD. IS ONLY SHOWN AS A REPRESENTATION OF WHAT EXISTS AND MUST BE VERIFIED BY THE OWNER.

	BY	DATE
DRN.	FC	04.09.30
CHK.		
APP'D.		
L.S.D.	15-10-62-06	WSM

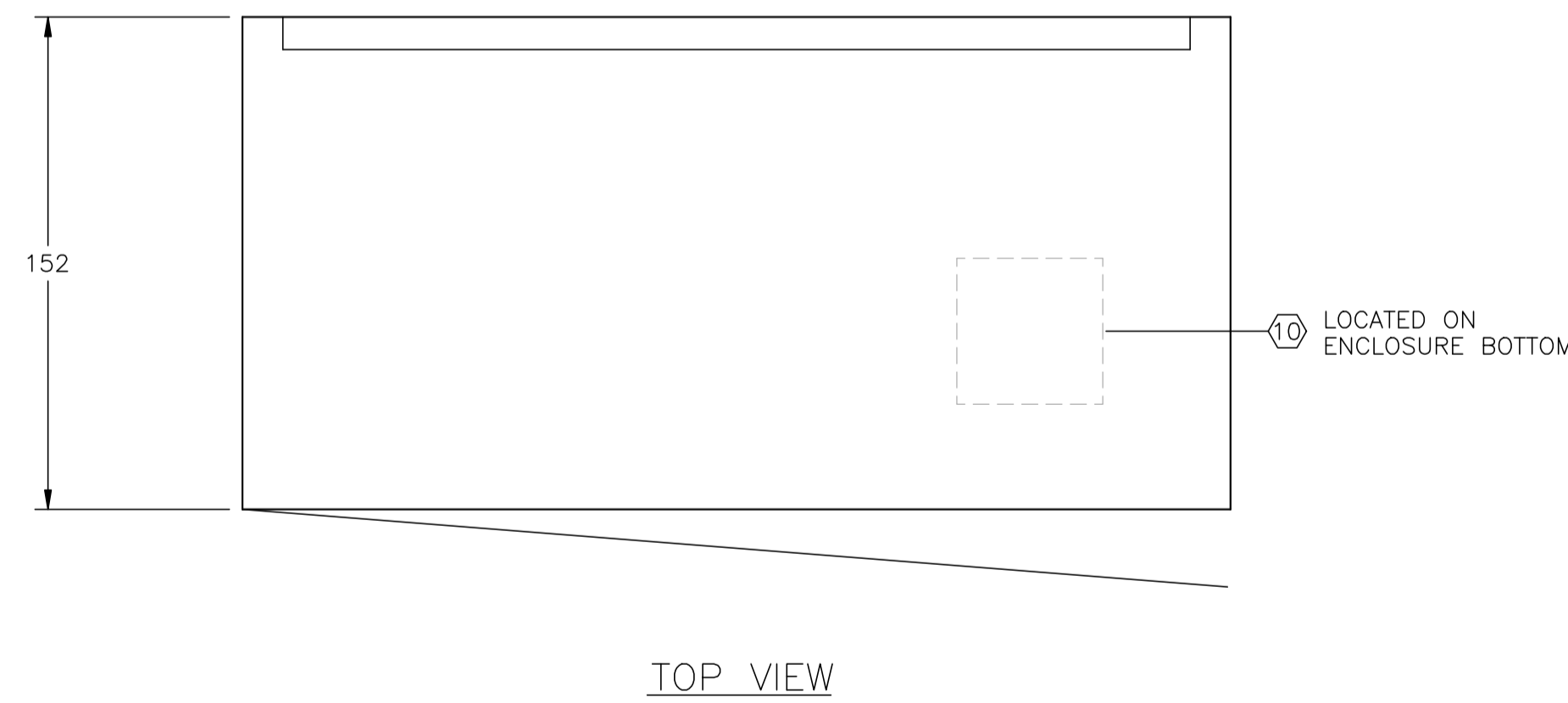


FORT ENERGY CORPORATION		
CORBETT GAS PLANT		
V-180 INLET BUILDING 120VAC WIRING DETAIL		
SCALE	DRAWING NUMBER	REV
N/A	D-23212-E-11-013	4



FRONT PANEL VIEW

BACK PANEL VIEW



TOP VIEW

V-180 INLET BUILDING
JBD-180 - 24VDC CONTROL
(SEE DWG. E-11-015 FOR WIRING DETAILS)

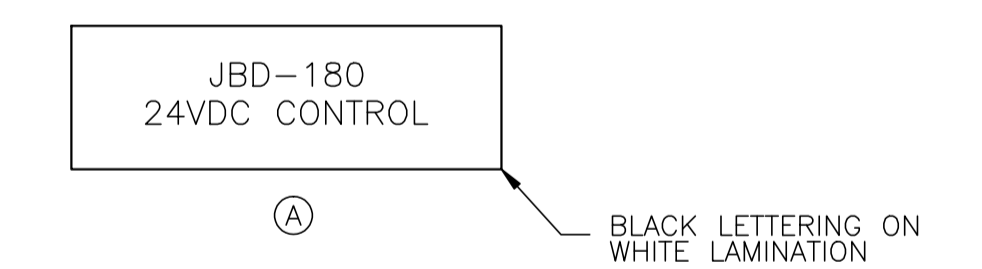
CUSTOM ENCLOSURE BILL OF MATERIALS

ITEM	QTY	DESCRIPTION
1	1	CUSTOM STEEL NEMA 4, WEATHERPROOF RATED ENCLOSURE; - 406mmH x 305mmW x 152mmD (EXTERIOR DIMENSIONS); - FULL HEIGHT DOOR c/w CSD TYPE CLOSURES; - HEAVY DUTY HINGE; - c/w (1) BACKPAN.
2	-	WEIDMULLER WDU-2.5 TERMINALS c/w ACCESSORIES.
3	40	WEIDMULLER WDU-4 TERMINALS c/w ACCESSORIES.
4	-	WEIDMULLER WDU-6 TERMINALS c/w ACCESSORIES.
5	1	WEIDMULLER WAP-2.5/4/6/10 END PLATE.
6	2	WEIDMULLER EW-35 END BRACKET.
7	1	WEIDMULLER SHT-5 GROUP TAG HOLDER.
8	AS REQ'D	DEKAFIX MARKING TAG (#1-#40).
9	AS REQ'D	WEIDMULLER TS35 MOUNTING RAIL.
10	1	HOFFMAN #A-NMV6 DRAIN SEAL.
11	1	25mm x 75mm LAMICOID.

CONSTRUCTION - LAYOUT NOTE:

- BACKPAN SIZE TO BE DETERMINED BY PANEL MANUFACTURER BASED ON SPACE UTILIZATION WITH THE SHOWN LAYOUT.
- | | |
|--------------------------|---------------------------|
| <input type="checkbox"/> | AC PANUIT |
| <input type="checkbox"/> | DC PANUIT |
| <input type="checkbox"/> | INTRINSICALLY SAFE PANUIT |
- PANEL OUTER DIMENSIONS TO BE AS SHOWN ±6mm ANY DEVIATION TO BE APPROVED BY OWNER.
- LAYOUT SHOWN FOR REFERENCE ONLY; ACTUAL EQUIPMENT DIMENSIONS SHALL GOVERN.

LAMICOID/ENGRAVING DETAIL

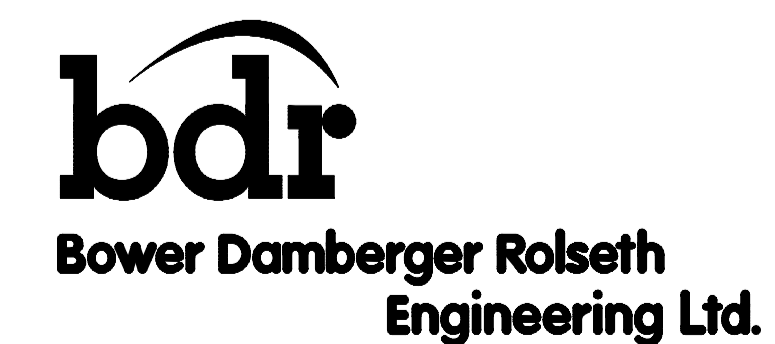


NO.	REVISION	PROJ. No.	BY	DATE	CHK.	DATE
4	POST CONSTRUCTION REVISIONS	43733	SM	05.02.02	ATB	05.02.02
3	ISSUED FOR CONSTRUCTION	43733	FC	04.10.28	ATB	04.11.01
2	ISSUED FOR FIELD BID	43733	FC	04.10.15	ATB	04.10.15
1	ISSUED FOR SKID CONSTRUCTION	43733	FC	04.10.14	ATB	04.10.14
0	ISSUED FOR APPROVAL	43733	FC	04.09.30	ATB	04.10.12

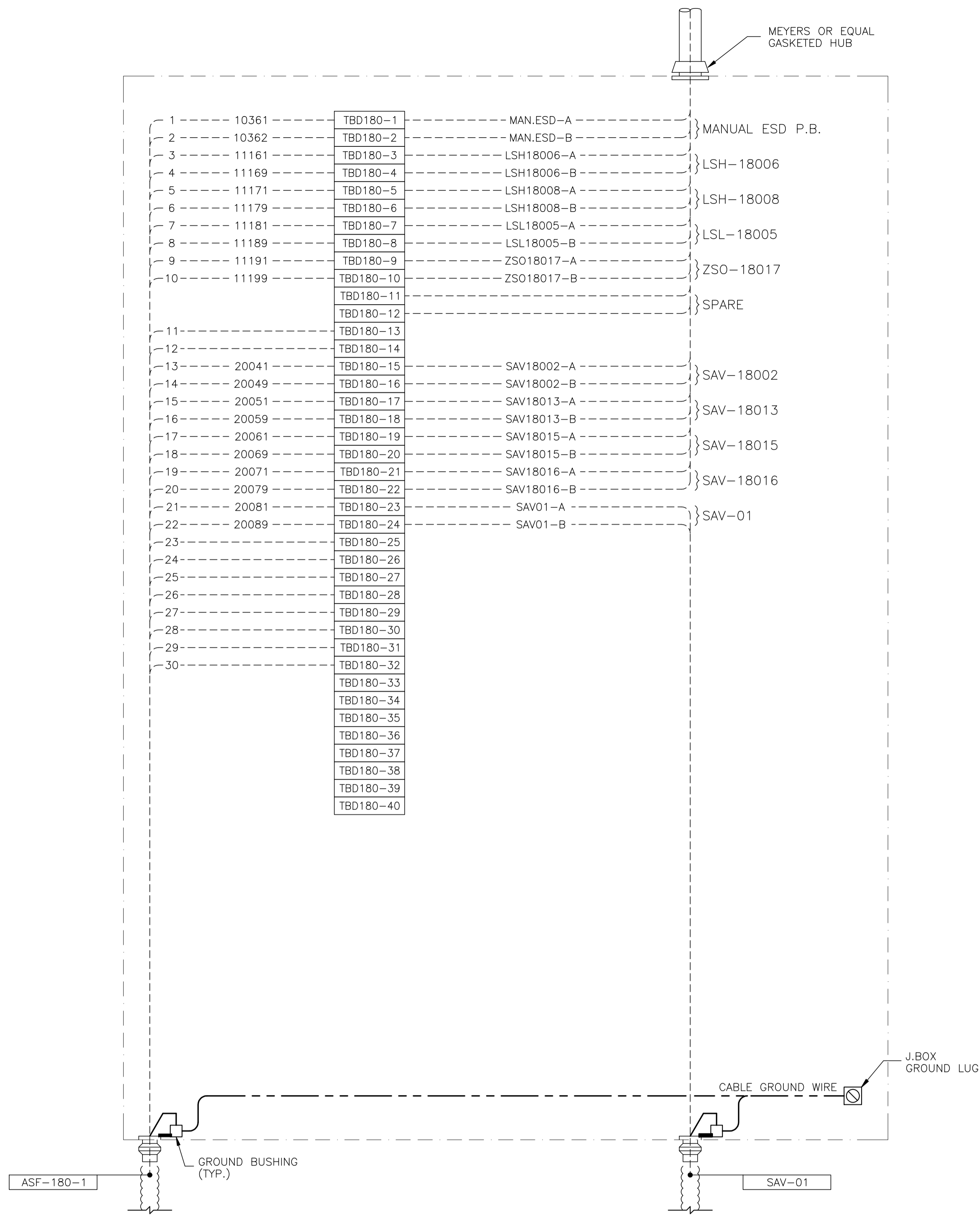
PERMIT STAMP:	STAMP APPLIED TO REV. 3 ONLY

GENERAL NOTES:	
1.	"POST CONSTRUCTION DRAWINGS" ARE GENERATED FROM CONSTRUCTION CHANGE INFORMATION FORWARDED TO BOWER DAMBERGER ROLSETH ENGINEERING LTD. BY THE OWNER'S FIELD SUPERVISORS AND/OR FIELD CONTRACTORS. ANY CHANGES NOT DOCUMENTED WILL NOT APPEAR ON THE DRAWINGS AND THEREFORE THE DRAWING MAY NOT BE AN ACCURATE REPRESENTATION OF THE CONSTRUCTED FACILITY.
2.	PRIOR TO THE COMMENCEMENT OF ANY CONSTRUCTION AND/OR EXCAVATION IT SHALL BE THE RESPONSIBILITY OF THE OWNER'S REPRESENTATIVE TO VERIFY THE LOCATION AND STATUS OF ANY PIPING, ELECTRICAL EQUIPMENT OR BUILDINGS.
3.	ANY REVISIONS MADE TO EXISTING EQUIPMENT, PIPING OR ELECTRICAL ON A FACILITY NOT DESIGNED BY B.D.R. ENG. LTD. IS ONLY SHOWN AS A REPRESENTATION OF WHAT EXISTS AND MUST BE VERIFIED BY THE OWNER.

DRN.	BY	DATE
CHK.	FC	04.09.30
APP'D.		
L.S.D.	15-10-62-06 WSM	



FORT ENERGY CORPORATION		
CORBETT GAS PLANT V-180 INLET BUILDING J.BOX JBD-180 LAYOUT		
SCALE	DRAWING NUMBER	REV
1 : 2	D-23212-E-11-014	4



JBD-180 - 24VDC CONTROL

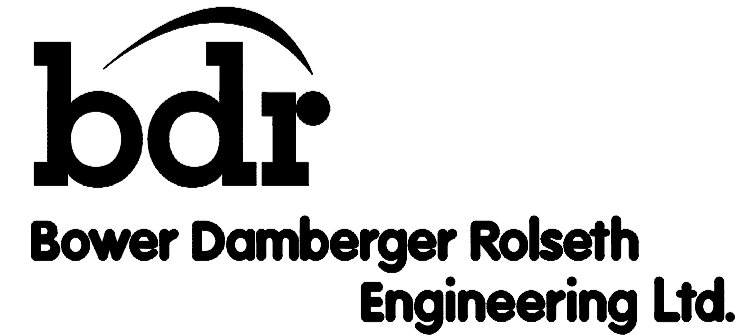
NO.	REVISION	PROJ. No.	BY	DATE	CHK.	DATE
4	POST CONSTRUCTION REVISIONS	43733	SM	05.02.02	ATB	05.02.02
3	ISSUED FOR CONSTRUCTION	43733	FC	04.10.28	ATB	04.11.01
2	ISSUED FOR FIELD BID	43733	FC	04.10.15	ATB	04.10.15
1	ISSUED FOR SKID CONSTRUCTION	43733	FC	04.10.14	ATB	04.10.14
0	ISSUED FOR APPROVAL	43733	FC	04.09.30	ATB	04.10.12

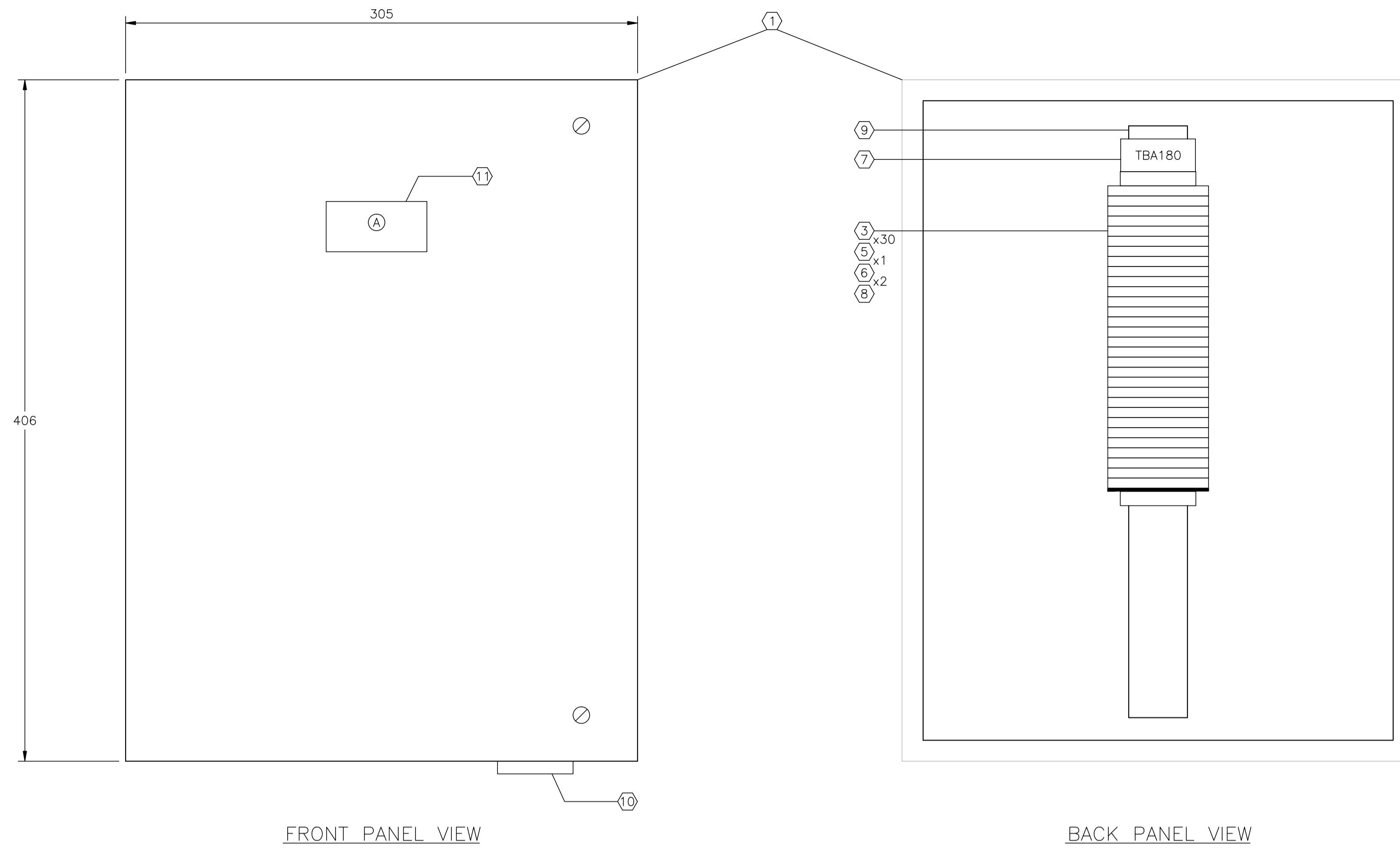
PERMIT STAMP:	STAMP APPLIED TO REV. 3 ONLY
---------------	------------------------------

GENERAL NOTES:
1. "POST CONSTRUCTION DRAWINGS" ARE GENERATED FROM CONSTRUCTION CHANGE INFORMATION FORWARDED TO BOWER DAMBERGER ROLSETH ENGINEERING LTD. BY THE OWNER'S FIELD SUPERVISORS AND/OR FIELD CONTRACTORS. ANY CHANGES NOT DOCUMENTED WILL NOT APPEAR ON THE DRAWINGS AND THEREFORE THE DRAWING MAY NOT BE AN ACCURATE REPRESENTATION OF THE CONSTRUCTED FACILITY.
2. PRIOR TO THE COMMENCEMENT OF ANY CONSTRUCTION AND/OR EXCAVATION IT SHALL BE THE RESPONSIBILITY OF THE OWNER'S REPRESENTATIVE TO VERIFY THE LOCATION AND STATUS OF ANY PIPING, ELECTRICAL EQUIPMENT OR BUILDINGS.
3. ANY REVISIONS MADE TO EXISTING EQUIPMENT, PIPING OR ELECTRICAL ON A FACILITY NOT DESIGNED BY B.D.R. ENG. LTD. IS ONLY SHOWN AS A REPRESENTATION OF WHAT EXISTS AND MUST BE VERIFIED BY THE OWNER.

DRN.	BY	DATE
CHK.	FC	04.09.30
APP'D.		
L.S.D.	15-10-62-06	WSM

FORT ENERGY CORPORATION		
CORBETT GAS PLANT		
V-180 INLET BUILDING J.BOX JBD-180 WIRING DETAIL		
SCALE	DRAWING NUMBER	REV
N/A	D-23212-E-11-015	4



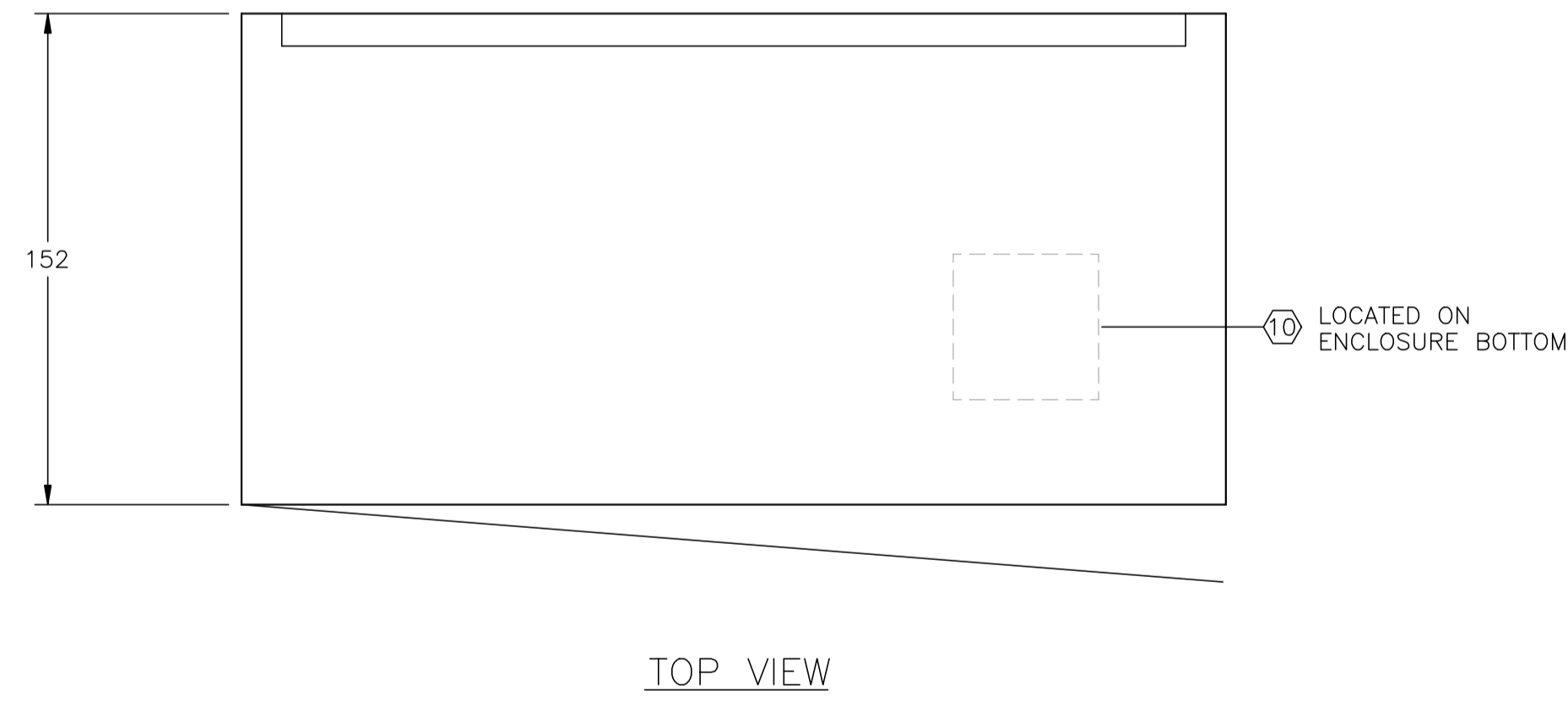
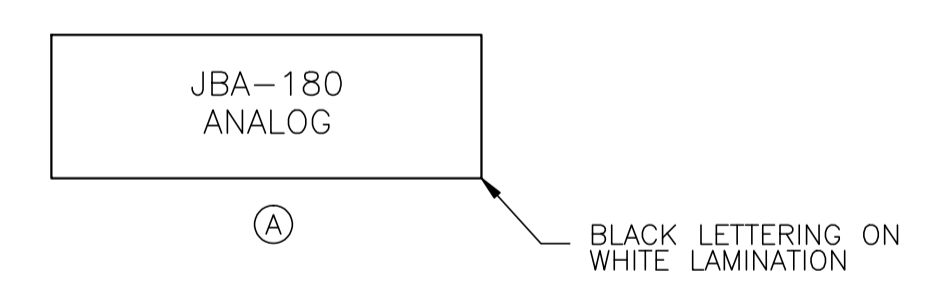


CUSTOM ENCLOSURE BILL OF MATERIALS		
ITEM	QTY	DESCRIPTION
1	1	CUSTOM STEEL NEMA 4, WEATHERPROOF RATED ENCLOSURE; - 406mmH x 305mmW x 152mmD (EXTERIOR DIMENSIONS); - FULL HEIGHT DOOR c/w CSD TYPE CLOSURES; - HEAVY DUTY HINGE; - c/w (1) BACKPAN.
2	-	WEIDMULLER WDU-2.5 TERMINALS c/w ACCESSORIES.
3	30	WEIDMULLER WDU-4 TERMINALS c/w ACCESSORIES.
4	-	WEIDMULLER WDU-6 TERMINALS c/w ACCESSORIES.
5	1	WEIDMULLER WAP-2.5/4/6/10 END PLATE.
6	2	WEIDMULLER EW-35 END BRACKET.
7	1	WEIDMULLER SCHAT-5 GROUP TAG HOLDER.
8	AS REQ'D	DEKAFIX MARKING TAG (#1-#30).
9	AS REQ'D	WEIDMULLER TS35 MOUNTING RAIL.
10	1	HOFFMAN #A-NMV6 DRAIN SEAL.
11	1	25mm x 75mm LAMICOID.

CONSTRUCTION - LAYOUT NOTE:

- BACKPAN SIZE TO BE DETERMINED BY PANEL MANUFACTURER BASED ON SPACE UTILIZATION WITH THE SHOWN LAYOUT.
- | | |
|-------------------------------------|---------------------------|
| <input checked="" type="checkbox"/> | AC PANUIT |
| <input type="checkbox"/> | DC PANUIT |
| <input checked="" type="checkbox"/> | INTRINSICALLY SAFE PANUIT |
- PANEL OUTER DIMENSIONS TO BE AS SHOWN ±6mm ANY DEVIATION TO BE APPROVED BY OWNER.
- LAYOUT SHOWN FOR REFERENCE ONLY; ACTUAL EQUIPMENT DIMENSIONS SHALL GOVERN.

LAMICOID/ENGRAVING DETAIL



V-180 INLET BUILDING
JBA-180 - ANALOG
(SEE DWG. E-11-018 FOR WIRING DETAILS)

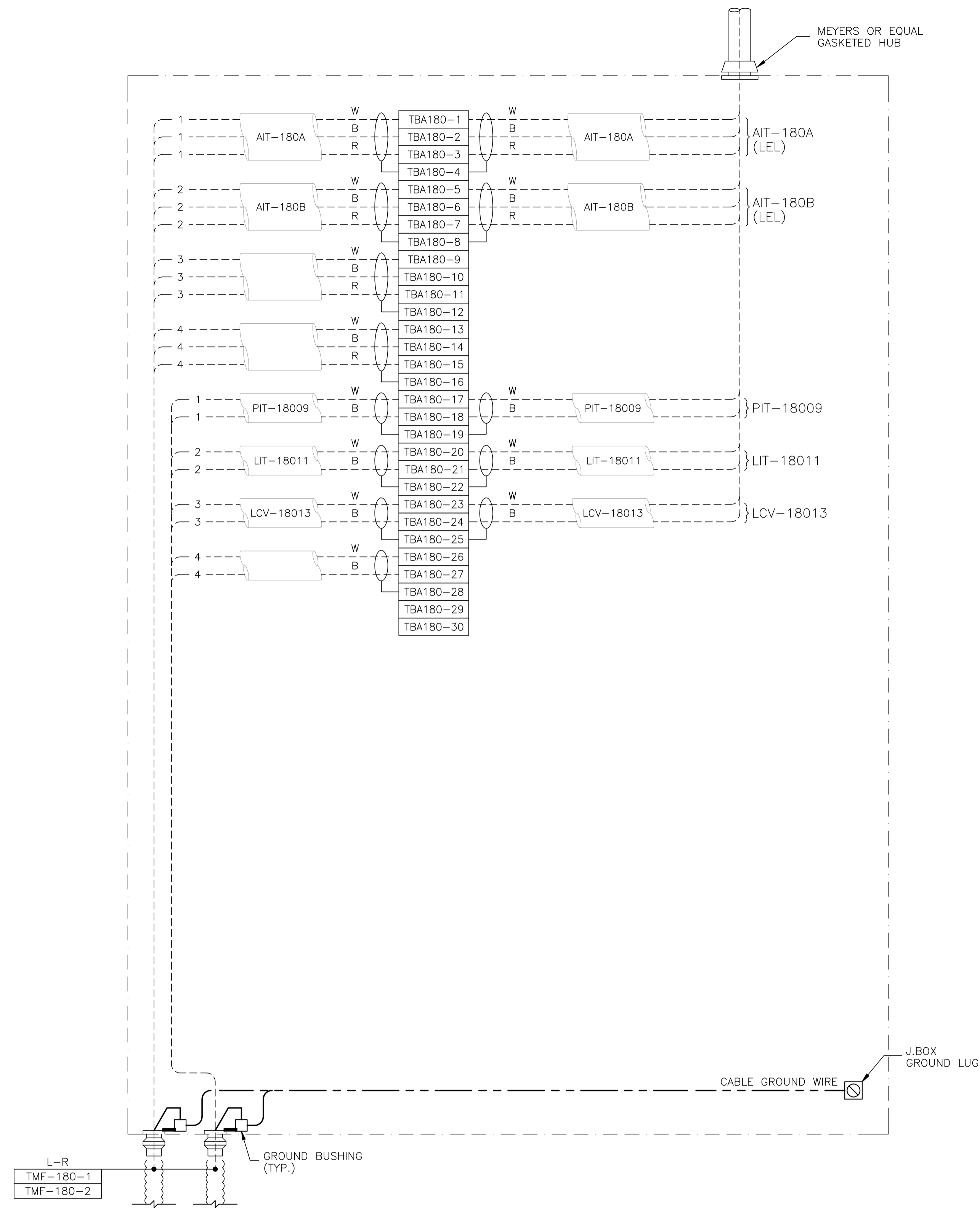
NO.	REVISION	PROJ. No.	BY	DATE	CHK.	DATE
4	POST CONSTRUCTION REVISIONS	43733	SM	05.02.02	ATB	05.02.02
3	ISSUED FOR CONSTRUCTION	43733	FC	04.10.28	ATB	04.11.01
2	ISSUED FOR FIELD BID	43733	FC	04.10.15	ATB	04.10.15
1	ISSUED FOR SKID CONSTRUCTION	43733	FC	04.10.14	ATB	04.10.14
0	ISSUED FOR APPROVAL	43733	FC	04.09.30	ATB	04.10.12

PERMIT STAMP:	STAMP APPLIED TO REV. 3 ONLY
---------------	------------------------------

GENERAL NOTES:	
1. "POST CONSTRUCTION DRAWINGS" ARE GENERATED FROM CONSTRUCTION CHANGE INFORMATION FORWARDED TO BOWER DAMBERGER ROLSETH ENGINEERING LTD. BY THE OWNER'S FIELD SUPERVISORS AND/OR FIELD CONTRACTORS. ANY CHANGES NOT DOCUMENTED WILL NOT APPEAR ON THE DRAWINGS AND THEREFORE THE DRAWING MAY NOT BE AN ACCURATE REPRESENTATION OF THE CONSTRUCTED FACILITY.	
2. PRIOR TO THE COMMENCEMENT OF ANY CONSTRUCTION AND/OR EXCAVATION IT SHALL BE THE RESPONSIBILITY OF THE OWNER'S REPRESENTATIVE TO VERIFY THE LOCATION AND STATUS OF ANY PIPING, ELECTRICAL EQUIPMENT OR BUILDINGS.	
3. ANY REVISIONS MADE TO EXISTING EQUIPMENT, PIPING OR ELECTRICAL ON A FACILITY NOT DESIGNED BY B.D.R. ENG. LTD. IS ONLY SHOWN AS A REPRESENTATION OF WHAT EXISTS AND MUST BE VERIFIED BY THE OWNER.	
DRN.	BY DATE
CHK.	FC 04.09.30
APP'D.	
L.S.D.	15-10-62-06 WSM



FORT ENERGY CORPORATION		
CORBETT GAS PLANT		
V-180 INLET BUILDING J.BOX JBA-180 LAYOUT		
SCALE	DRAWING NUMBER	REV
1 : 2	D-23212-E-11-017	4



JBA-180 - ANALOG

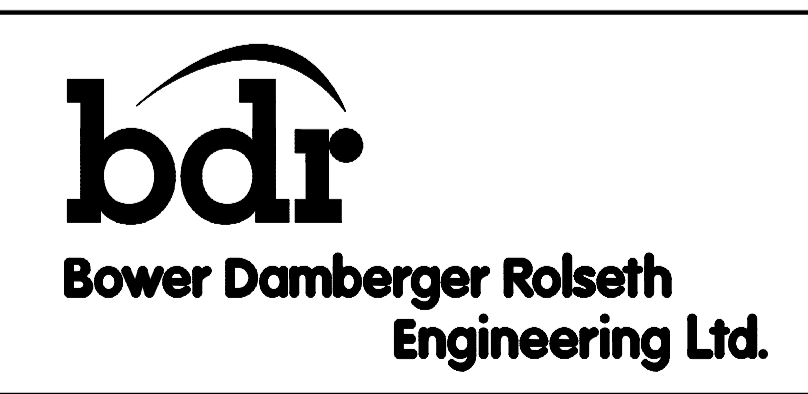
NO.	REVISION	PROJ. No.	BY	DATE	CHK.	DATE
4	POST CONSTRUCTION REVISIONS	43733	SM	05.02.02	ATB	05.02.02
3	ISSUED FOR CONSTRUCTION	43733	FC	04.10.28	ATB	04.11.01
2	ISSUED FOR FIELD BID	43733	FC	04.10.15	ATB	04.10.15
1	ISSUED FOR SKID CONSTRUCTION	43733	FC	04.10.14	ATB	04.10.14
0	ISSUED FOR APPROVAL	43733	FC	04.09.30	ATB	04.10.12

PERMIT STAMP:	STAMP APPLIED TO REV. 3 ONLY
---------------	------------------------------

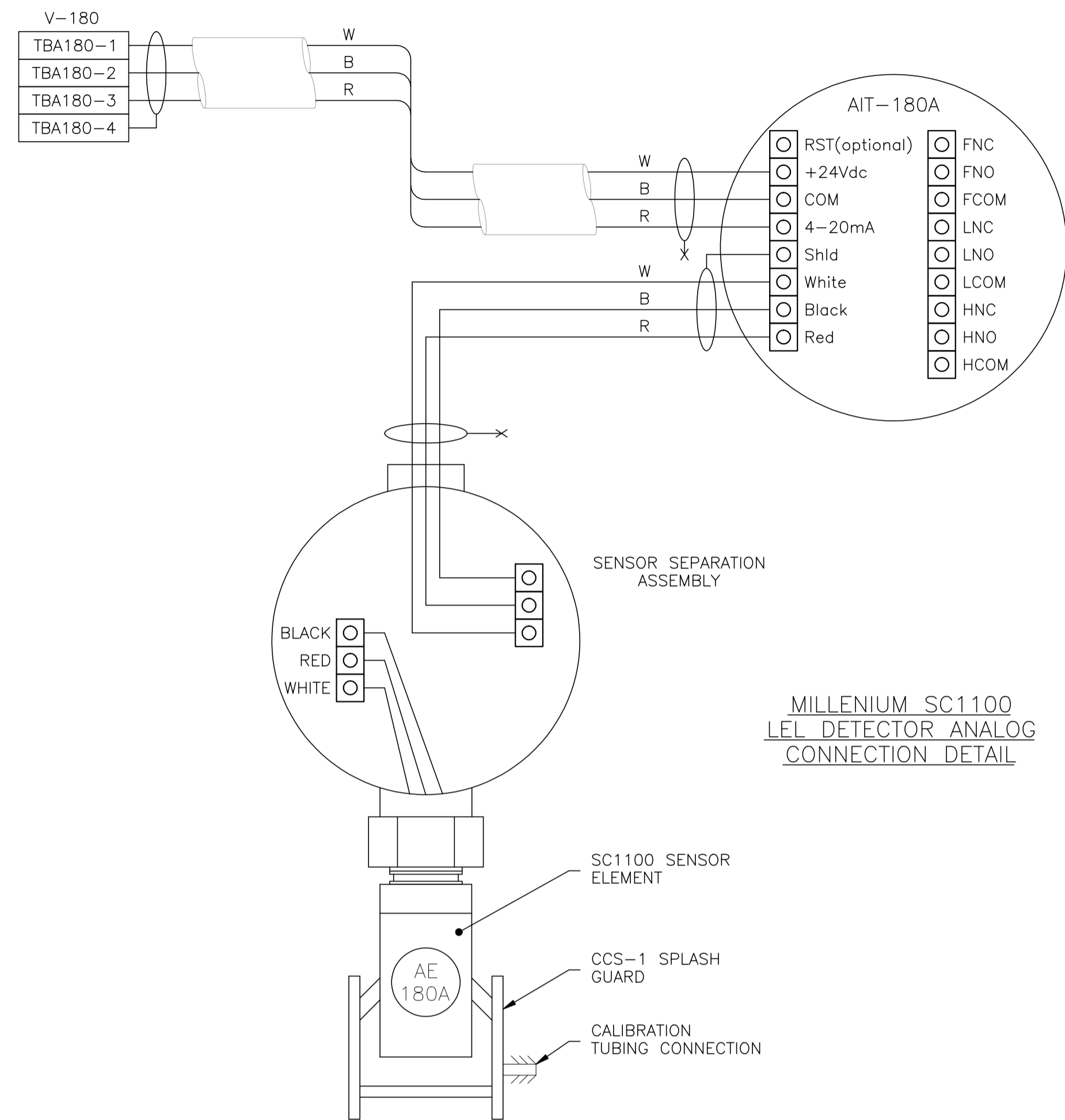
GENERAL NOTES:

- "POST CONSTRUCTION DRAWINGS" ARE GENERATED FROM CONSTRUCTION CHANGE INFORMATION FORWARDED TO BOWER DAMBERGER ROLSETH ENGINEERING LTD. BY THE OWNER'S FIELD SUPERVISORS AND/OR FIELD CONTRACTORS. ANY CHANGES NOT DOCUMENTED WILL NOT APPEAR ON THE DRAWINGS AND THEREFORE THE DRAWING MAY NOT BE AN ACCURATE REPRESENTATION OF THE CONSTRUCTED FACILITY.
- PRIOR TO THE COMMENCEMENT OF ANY CONSTRUCTION AND/OR EXCAVATION IT SHALL BE THE RESPONSIBILITY OF THE OWNER'S REPRESENTATIVE TO VERIFY THE LOCATION AND STATUS OF ANY PIPING, ELECTRICAL EQUIPMENT OR BUILDINGS.
- ANY REVISIONS MADE TO EXISTING EQUIPMENT, PIPING OR ELECTRICAL ON A FACILITY NOT DESIGNED BY B.D.R. ENG. LTD. IS ONLY SHOWN AS A REPRESENTATION OF WHAT EXISTS AND MUST BE VERIFIED BY THE OWNER.

DRN.	BY	DATE
CHK.	FC	04.09.30
APP'D.		
L.S.D.	15-10-62-06 WSM	



FORT ENERGY CORPORATION		
CORBETT GAS PLANT		
V-180 INLET BUILDING J.BOX JBA-180 WIRING DETAIL		
SCALE	DRAWING NUMBER	REV
N/A	D-23212-E-11-018	4



NO.	REVISION	PROJ. No.	BY	DATE	CHK.	DATE
4	POST CONSTRUCTION REVISIONS	43733	SM	05.02.02	ATB	05.02.02
3	ISSUED FOR CONSTRUCTION	43733	FC	04.10.28	ATB	04.11.01
2	ISSUED FOR FIELD BID	43733	FC	04.10.15	ATB	04.10.15
1	ISSUED FOR SKID CONSTRUCTION	43733	FC	04.10.14	ATB	04.10.14
0	ISSUED FOR APPROVAL	43733	FC	04.09.30	ATB	04.10.04

PERMIT STAMP:

STAMP APPLIED TO REV. 3 ONLY

GENERAL NOTES:

- "POST CONSTRUCTION DRAWINGS" ARE GENERATED FROM CONSTRUCTION CHANGE INFORMATION FORWARDED TO BOWER DAMBERGER ROLSETH ENGINEERING LTD. BY THE OWNER'S FIELD SUPERVISORS AND/OR FIELD CONTRACTORS. ANY CHANGES NOT DOCUMENTED WILL NOT APPEAR ON THE DRAWINGS AND THEREFORE THE DRAWING MAY NOT BE AN ACCURATE REPRESENTATION OF THE CONSTRUCTED FACILITY.
- PRIOR TO THE COMMENCEMENT OF ANY CONSTRUCTION AND/OR EXCAVATION IT SHALL BE THE RESPONSIBILITY OF THE OWNER'S REPRESENTATIVE TO VERIFY THE LOCATION AND STATUS OF ANY PIPING, ELECTRICAL, EQUIPMENT OR BUILDINGS.
- ANY REVISIONS MADE TO EXISTING EQUIPMENT, PIPING OR ELECTRICAL ON A FACILITY NOT DESIGNED BY B.D.R. ENG. LTD. IS ONLY SHOWN AS A REPRESENTATION OF WHAT EXISTS AND MUST BE VERIFIED BY THE OWNER.

DRN.	BY	DATE
CHK.	FC	04.09.30
APP'D.		
L.S.D.	15-10-62-06	WSM



FORT ENERGY CORPORATION		
CORBETT GAS PLANT		
V-180 INLET BUILDING GAS DETECTION DETAIL		
SCALE	DRAWING NUMBER	REV
N/A	D-23212-E-11-019	4



BILL OF MATERIALS

(AS REQUIRED)

FIXTURES

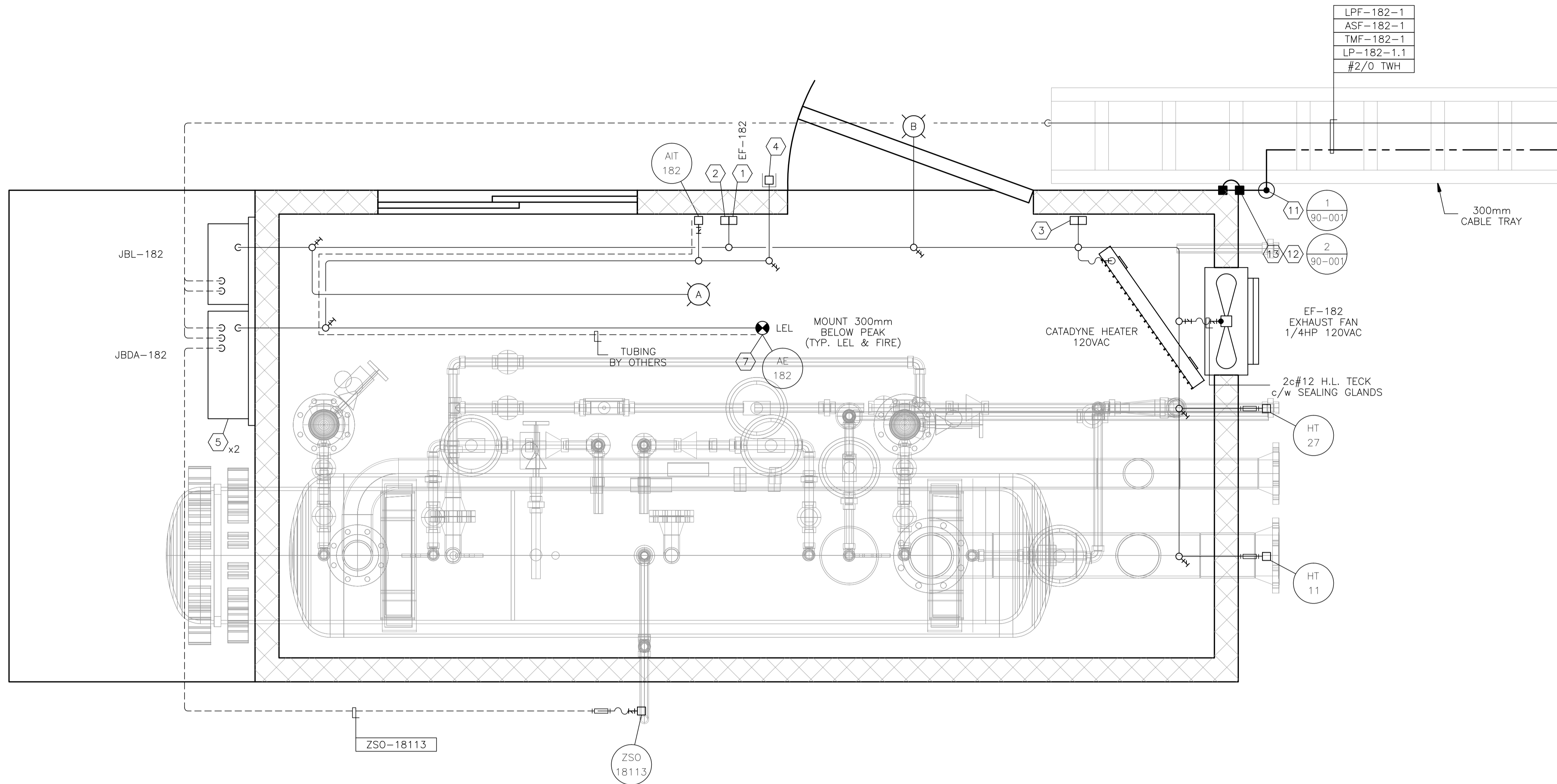
- A. CROUSE HINDS #EVLPA143151 120V, 150W HIGH PRESSURE SODIUM, PENDANT MOUNT FIXTURE c/w GLOBE, GUARD AND LAMP. CLASS 1, ZONE 1 & 2, EXPLOSION PROOF.
- B. CROUSE HINDS #VXHBF25GP 120V, 150W INCANDESCENT, WALL MOUNT FIXTURE c/w GLOBE, GUARD, JUNCTION BOX AND LAMP. CLASS 1, DIV 2, FOR WET LOCATIONS.

MATERIALS

- 1. CROUSE HINDS #DSFS933 ON/OFF SWITCH, 277VAC, 20AMPS MAX. SINGLE POLE. CLASS I, DIV 1, EXPLOSION PROOF, FACTORY SEALED.
- 2. CROUSE HINDS #CPS152R DELAYED ACTION RECEPTACLE, 115-250VAC, 20AMPS, 1HP MAX. CLASS I, DIV 1, EXPLOSION PROOF.
- 3. CATADYNE HEATER 120VAC START STATION COMPRISED OF:
 - 1 - EFSC272 FEED THRU BOX,
 - 1 - DSFS933 ON/OFF SWITCH AND
 - 1 - DSD946J1 RED 120VAC PILOT LIGHT, EXPLOSION PROOF.
- 4. CROUSE HINDS CEAG #HG432KLM00SGT551211/2511 ESD PUSHBUTTON c/w RED SHROUD AND MIN. 4" x 6" ESD WARNING LAMICOID. CLASS I, ZONE 1, EXPLOSION PROOF.
- 5. NEMA 4 STEEL ENCLOSURE SIZED AS PER DRAWING c/w BACK PAN, TERMINAL BLOCKS AND MOUNTING HARDWARE.
- 6. HOFFMAN #A-NMV6 JUNCTION BOX DRAIN SEAL.
- 7. NET SAFETY MOD. #MLP-A-SC1100-SEP MILLENNIUM COMBUSTIBLE GAS DETECTOR, 24VDC c/w 4-20mA SIGNAL OUTPUT, SEPARATOR KIT AND CCS-1 SPLASH GUARD.
- 8. NET SAFETY MOD. #LUVS-AR STAND ALONE UV FIRE DETECTOR, 24VDC c/w 4-20mA SIGNAL OUTPUT, RELAY OUTPUT BOARD, SWIVEL AND JB4-UV-T ASSY.
- 9. #2/0-#2/0 C-TAP SPLICE, INSTALLED c/w TAPE AND GLYPTOL SPRAY.
- 10. #2/0-#2 C-TAP SPLICE, INSTALLED c/w TAPE AND GLYPTOL SPRAY.
- 11. 300mm x 75mm COPPER CLUB GROUND RODS c/w
 - GROUND WELL;
 - INSPECTION COVER;
 - GROUND ROD (#2/0).
- 12. GROUNDING SERVIT POST - #2/0 OR #2 AS REQUIRED.
- 13. BUILDING BONDING PLATE c/w #2 CRIMP-ON LUG.

NOTES:

- 1. ALL WIRING TO THE SKID DEVICES SHALL BE TAKEN FROM THE RIGHTHAND SIDE OF THE TERMINALS, DIRECT WITHOUT SPLICES OF ANY KIND.
- 2. WIRING FOR ALL DEVICES SHALL BE TAGGED AS PER J.BOX LAYOUTS.
- 3. FIELD CONTRACTOR TO ENSURE ALL INCOMING/EXITING TECK CABLES ARE c/w GROUNDING BUSHINGS.
- 4. ALL J.BOXES ARE TO HAVE LAMICOID NAME PLATES AS PER DRAWINGS.
- 5. FIELD CONTRACTOR WILL BE RESPONSIBLE FOR GROUNDING AS WELL AS THE PACKING AND POURING OF ALL SEALS. THIS APPLIES WHETHER OR NOT THE SKID ARRIVES PRE-WIRED.
- 6. CONDUIT METHOD WILL BE RA c/w ALL FITTINGS.
- 7. ALL CABLES TO ENTER/EXIT THE BOTTOM OF THE J.BOXES. ALL CONDUIT TO ENTER/EXIT THE TOP OF THE J.BOXES VIA MYERS HUB.
- 8. THE INTERIOR OF THIS SKID IS CLASSIFIED CLASS-I ZONE-1. THE EXTERIOR OF THIS SKID IS CLASSIFIED CLASS-I ZONE-2 FOR THE FIRST 3 METERS.
- 9. INSTALLATION TO BE DONE ACCORDING TO GENERAL SPEC. INCLUDED WITH BID PACKAGE.
- 10. LEL DETECTORS TO BE INSTALLED USING OWNER SUPPLIED SEPARATION KITS. SEPARATION KITS TO BE MOUNTED ON WALL @ APPROXIMATELY 1500mm TO CENTER.
- 11. ALL VERTICAL CABLE TRAY RISERS ARE TO BE COMPLETE WITH PROPER SUPPORTS AND ALUMINUM TRAY COVER.
- 12. WINDOWS AND DOORS ARE NOT TO BE USED FOR VENTILATION.



V-182 BLOWCASE BUILDING
1829 x 3658
EAVE HEIGHT - 4669

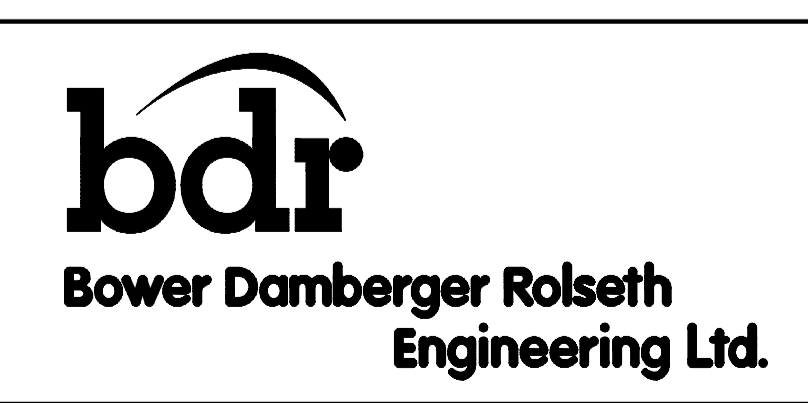
NO.	REVISION	PROJ. No.	BY	DATE	CHK.	DATE
3	POST CONSTRUCTION REVISIONS	43733	SM	05.02.02	ATB	05.02.02
2	ISSUED FOR CONSTRUCTION	43733	FC	04.10.28	ATB	04.11.01
1	ISSUED FOR FIELD BID	43733	FC	04.10.15	ATB	04.10.15
0	ISSUED FOR APPROVAL	43733	FC	04.10.08	ATB	04.10.12

PERMIT STAMP:	STAMP APPLIED TO REV. 2 ONLY

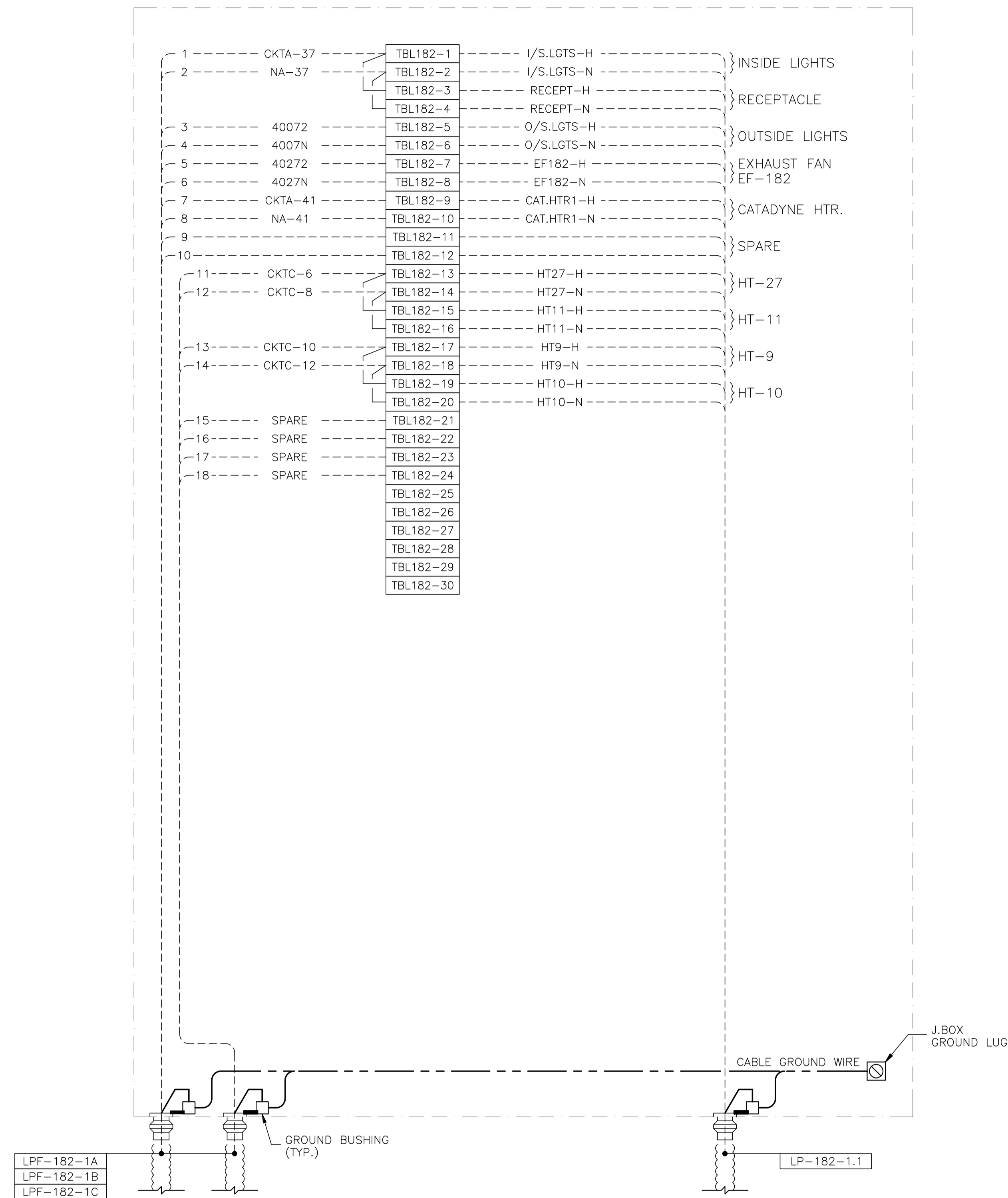
GENERAL NOTES:

- "POST CONSTRUCTION REVISIONS" ARE GENERATED FROM CONSTRUCTION CHANGE INFORMATION FORWARDED TO BOWER DAMBERGER ROLSETH ENGINEERING LTD. BY THE OWNER'S FIELD SUPERVISORS AND/OR FIELD CONTRACTORS. ANY CHANGES NOT DOCUMENTED WILL NOT APPEAR ON THE DRAWINGS AND THEREFORE THE DRAWING MAY NOT BE AN ACCURATE REPRESENTATION OF THE CONSTRUCTED FACILITY.
- PRIOR TO THE COMMENCEMENT OF ANY CONSTRUCTION AND/OR EXCAVATION IT SHALL BE THE RESPONSIBILITY OF THE OWNER'S REPRESENTATIVE TO VERIFY THE LOCATION AND STATUS OF ANY PIPING, ELECTRICAL EQUIPMENT OR BUILDINGS.
- ANY REVISIONS MADE TO EXISTING EQUIPMENT, PIPING OR ELECTRICAL ON A FACILITY NOT DESIGNED BY B.D.R. ENG. LTD. IS ONLY SHOWN AS A REPRESENTATION OF WHAT EXISTS AND MUST BE VERIFIED BY THE OWNER.

BY	DATE
DRN.	FC 04.10.08
CHK.	
APP'D.	
L.S.D.	15-10-62-06 WSM



FORT ENERGY CORPORATION		
CORBETT GAS PLANT		
V-182 BLOWCASE BUILDING ELECTRICAL LAYOUT		
SCALE	DRAWING NUMBER	REV
1 : 10	D-23212-E-12-001	3



JBL-182 - 120VAC UTILITIES

NO.	REVISION	PROJ. No.	BY	DATE	CHK.	DATE
3	POST CONSTRUCTION REVISIONS	43733	SM	05.02.02	ATB	05.02.02
2	ISSUED FOR CONSTRUCTION	43733	FC	04.10.28	ATB	04.11.01
1	ISSUED FOR FIELD BID	43733	FC	04.10.15	ATB	04.10.15
0	ISSUED FOR APPROVAL	43733	FC	04.09.30	ATB	04.10.12

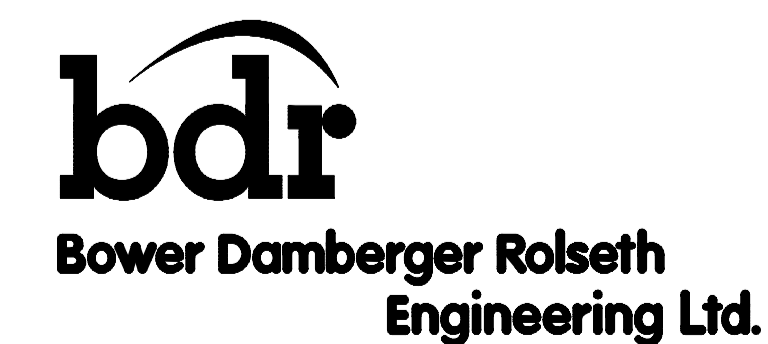
PERMIT STAMP:

STAMP APPLIED TO REV. 2 ONLY

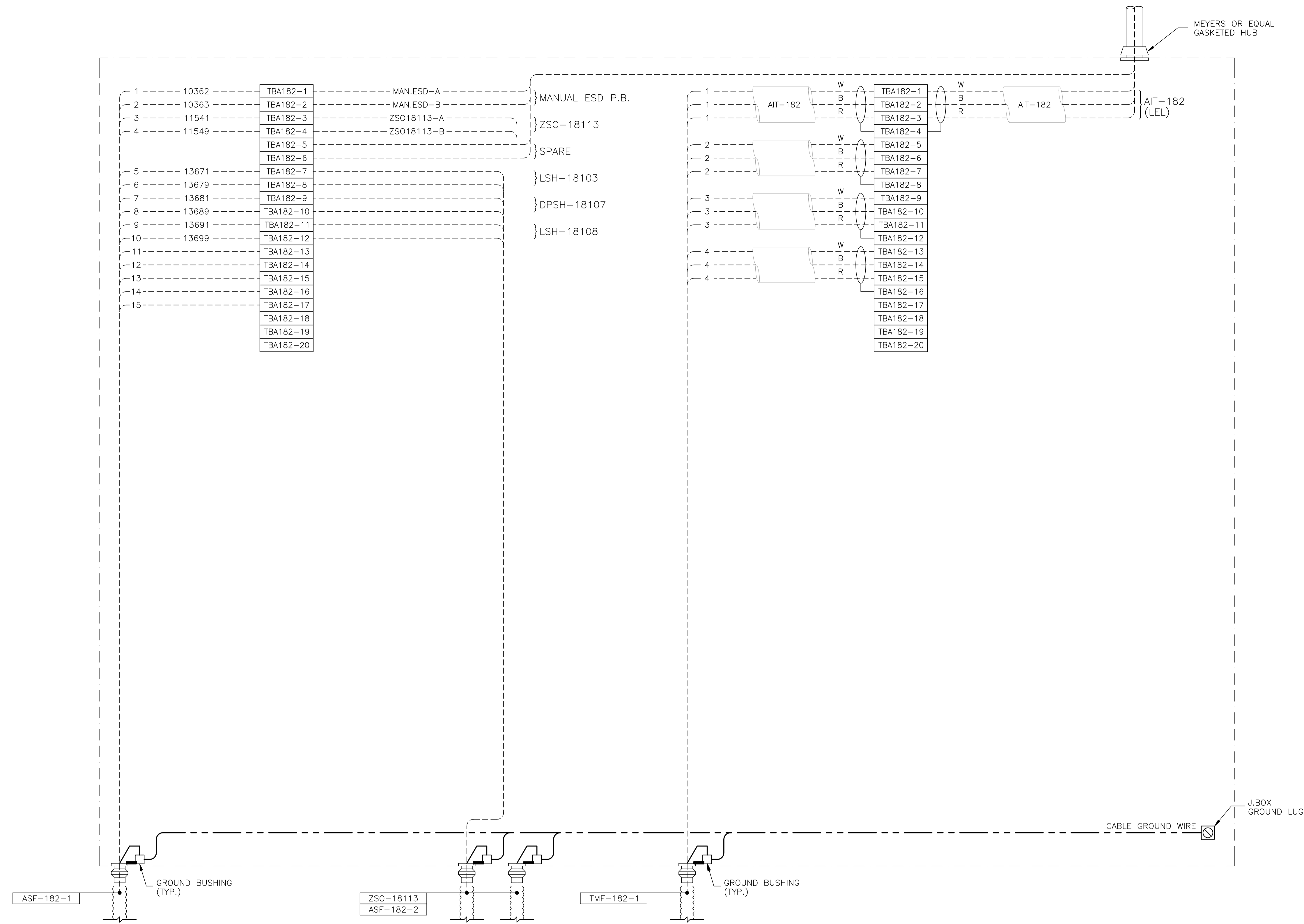
GENERAL NOTES:

- "POST CONSTRUCTION DRAWINGS" ARE GENERATED FROM CONSTRUCTION CHANGE INFORMATION FORWARDED TO BOWER DAMBERGER ROLSETH ENGINEERING LTD. BY THE OWNER'S FIELD SUPERVISORS AND/OR BIDDING CONTRACTORS. ANY CHANGES NOT DOCUMENTED WILL NOT APPEAR ON THE DRAWINGS AND THEREFORE THE DRAWING MAY NOT BE AN ACCURATE REPRESENTATION OF THE CONSTRUCTED FACILITY.
- PRIOR TO THE COMMENCEMENT OF ANY CONSTRUCTION AND/OR EXCAVATION IT SHALL BE THE RESPONSIBILITY OF THE OWNER'S REPRESENTATIVE TO VERIFY THE LOCATION AND STATUS OF ANY PIPING, ELECTRICAL EQUIPMENT OR BUILDINGS.
- ANY REVISIONS MADE TO EXISTING EQUIPMENT, PIPING OR ELECTRICAL ON A FACILITY NOT DESIGNED BY B.D.R. ENG. LTD. IS ONLY SHOWN AS A REPRESENTATION OF WHAT EXISTS AND MUST BE VERIFIED BY THE OWNER.

DRN.	BY	DATE
CHK.	FC	04.09.30
APP'D.		
L.S.D.	15-10-62-06	WSM



FORT ENERGY CORPORATION		
CORBETT GAS PLANT		
V-182 BLOWCASE BUILDING J.BOX JBL-182 WIRING DETAIL		
SCALE	DRAWING NUMBER	REV
N/A	D-23212-E-12-012	3



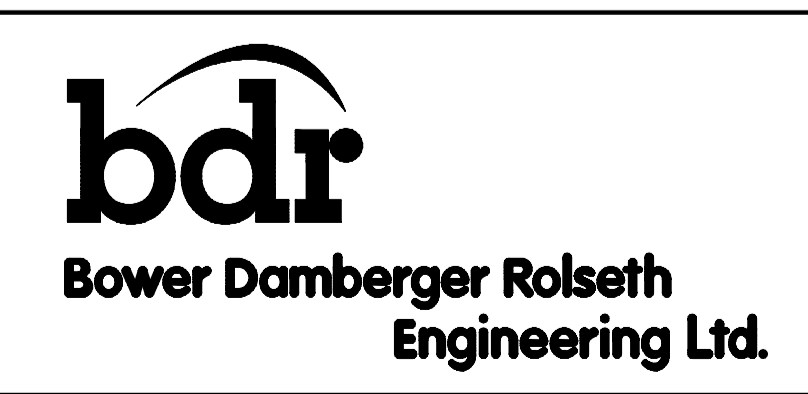
JBDA-182 - 24VDC CONTROL/ANALOG

NO.	REVISION	PROJ. No.	BY	DATE	CHK.	DATE
3	POST CONSTRUCTION REVISIONS	43733	SM	05.02.02	ATB	05.02.02
2	ISSUED FOR CONSTRUCTION	43733	FC	04.10.28	ATB	04.11.01
1	ISSUED FOR FIELD BID	43733	FC	04.10.15	ATB	04.10.15
0	ISSUED FOR APPROVAL	43733	FC	04.09.30	ATB	04.10.12

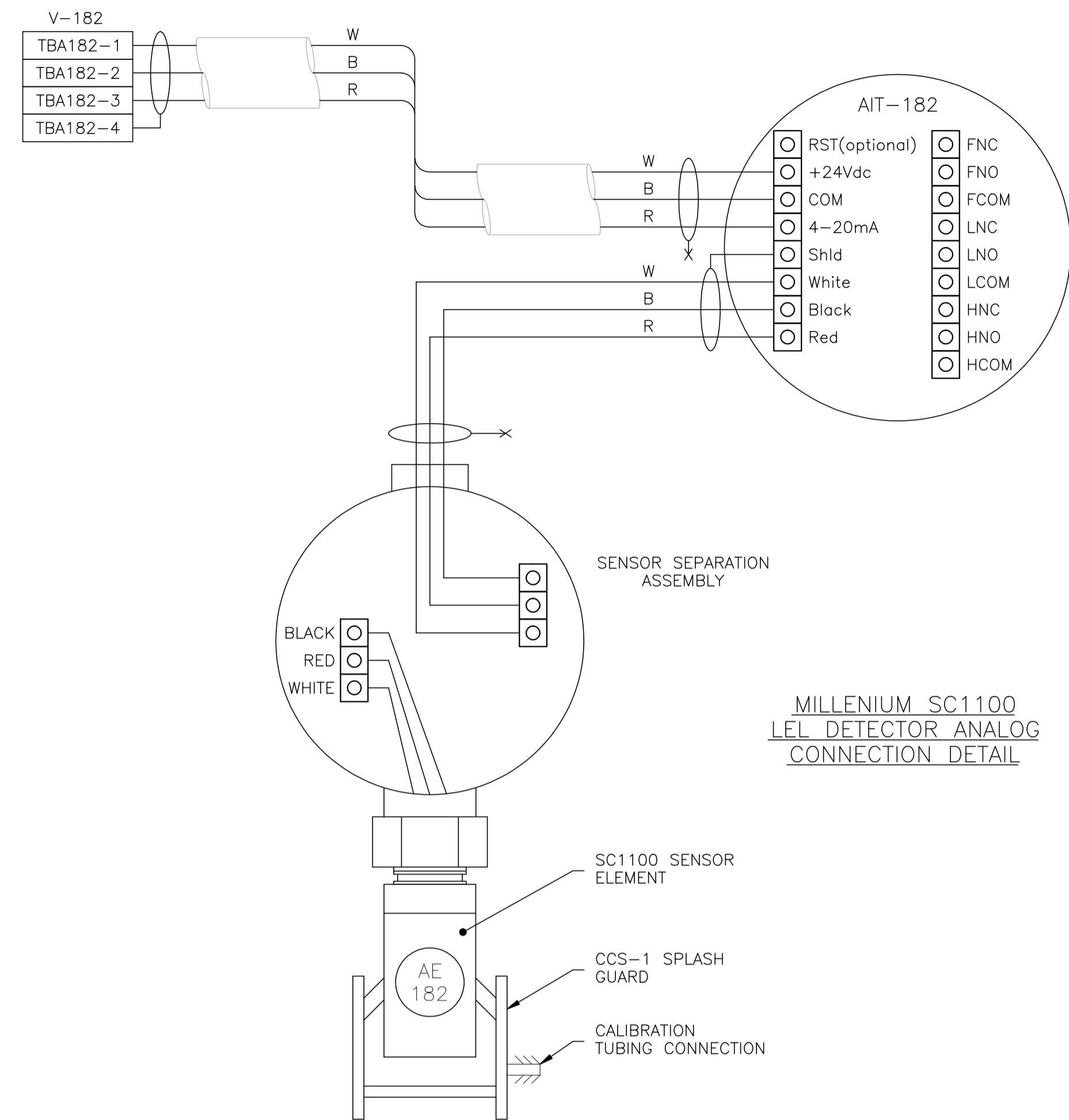
PERMIT STAMP:	STAMP APPLIED TO REV. 2 ONLY
---------------	------------------------------

GENERAL NOTES:
 1. "POST CONSTRUCTION DRAWINGS" ARE GENERATED FROM CONSTRUCTION CHANGE INFORMATION FORWARDED TO BOWER DAMBERGER ROLSETH ENGINEERING LTD. BY THE OWNER'S FIELD SUPERVISORS AND/OR FIELD CONTRACTORS. ANY CHANGES NOT DOCUMENTED WILL NOT APPEAR ON THE DRAWINGS AND THEREFORE THE DRAWING MAY NOT BE AN ACCURATE REPRESENTATION OF THE CONSTRUCTED FACILITY.
 2. PRIOR TO THE COMMENCEMENT OF ANY CONSTRUCTION AND/OR EXCAVATION IT SHALL BE THE RESPONSIBILITY OF THE OWNER'S REPRESENTATIVE TO VERIFY THE LOCATION AND STATUS OF ANY PIPING, ELECTRICAL EQUIPMENT OR BUILDINGS.
 3. ANY REVISIONS MADE TO EXISTING EQUIPMENT, PIPING OR ELECTRICAL ON A FACILITY NOT DESIGNED BY B.D.R. ENG. LTD. IS ONLY SHOWN AS A REPRESENTATION OF WHAT EXISTS AND MUST BE VERIFIED BY THE OWNER.

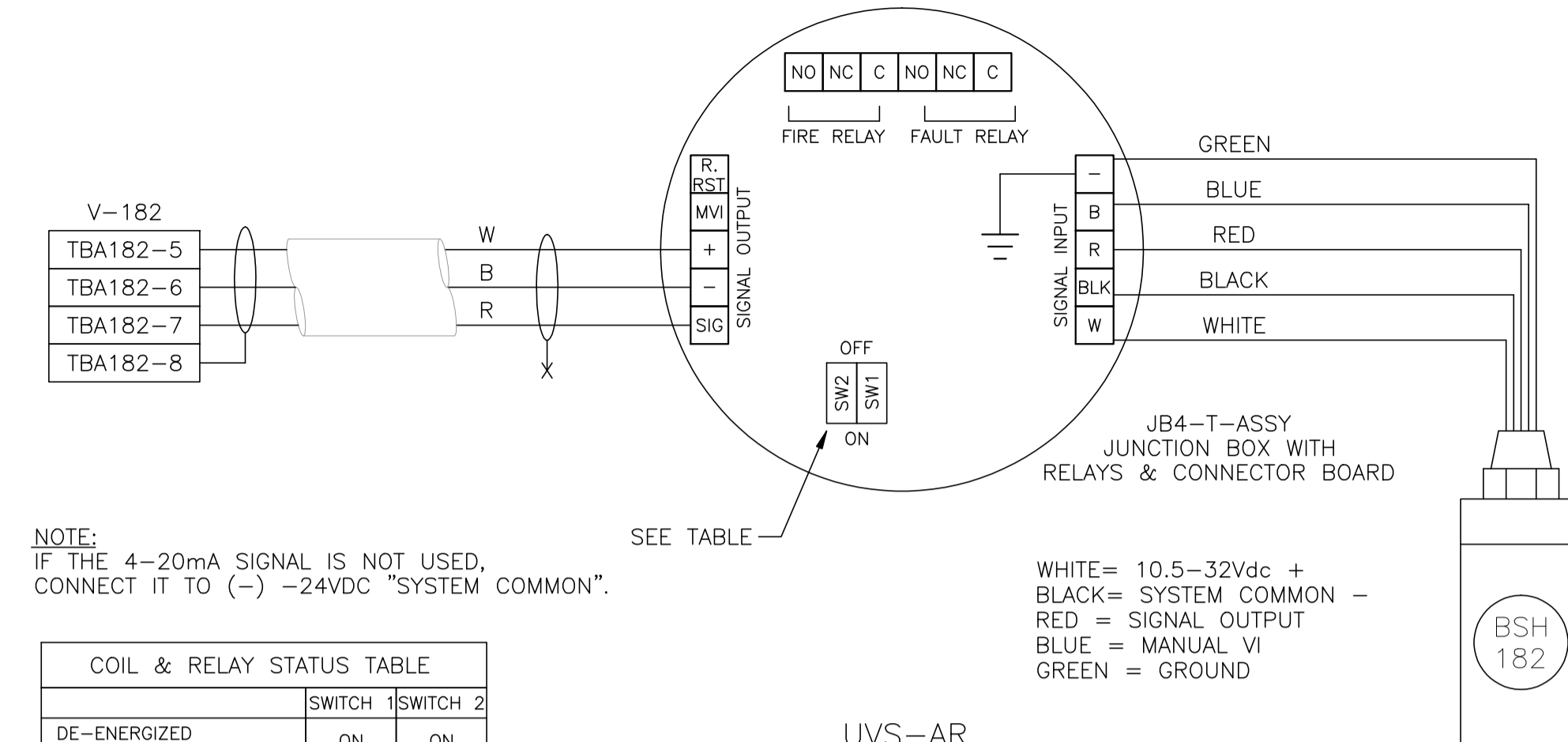
DRN.	BY	DATE
CHK.	FC	04.09.30
APP'D.		
L.S.D.	15-10-62-06 WSM	



FORT ENERGY CORPORATION		
CORBETT GAS PLANT		
V-182 BLOWCASE BUILDING J.BOX JBDA-182 WIRING DETAIL		
SCALE	DRAWING NUMBER	REV
N/A	D-23212-E-12-014	3



MILLENNIUM SC1100
LEL DETECTOR ANALOG
CONNECTION DETAIL



NOTE:
IF THE 4-20mA SIGNAL IS NOT USED,
CONNECT IT TO (-) -24VDC "SYSTEM COMMON".

COIL & RELAY STATUS TABLE		
	SWITCH 1	SWITCH 2
DE-ENERGIZED AND NON-LATCHING	ON	ON
ENERGIZED AND NON-LATCHING	ON	OFF
DE-ENERGIZED AND LATCHING	OFF	ON
ENERGIZED AND LATCHING	OFF	OFF

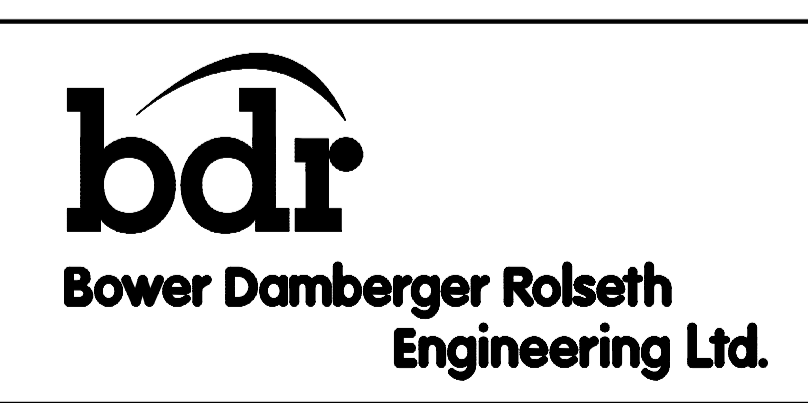
UVS-AR
FIRE DETECTOR
CONNECTION DETAIL
(ANALOG CONNECTION)

NO.	REVISION	PROJ. No.	BY	DATE	CHK.	DATE
3	POST CONSTRUCTION REVISIONS	43733	SM	05.02.02	ATB	05.02.02
2	ISSUED FOR CONSTRUCTION	43733	FC	04.10.28	ATB	04.11.01
1	ISSUED FOR FIELD BID	43733	FC	04.10.15	ATB	04.10.15
0	ISSUED FOR APPROVAL	43733	FC	04.09.30	ATB	04.10.12

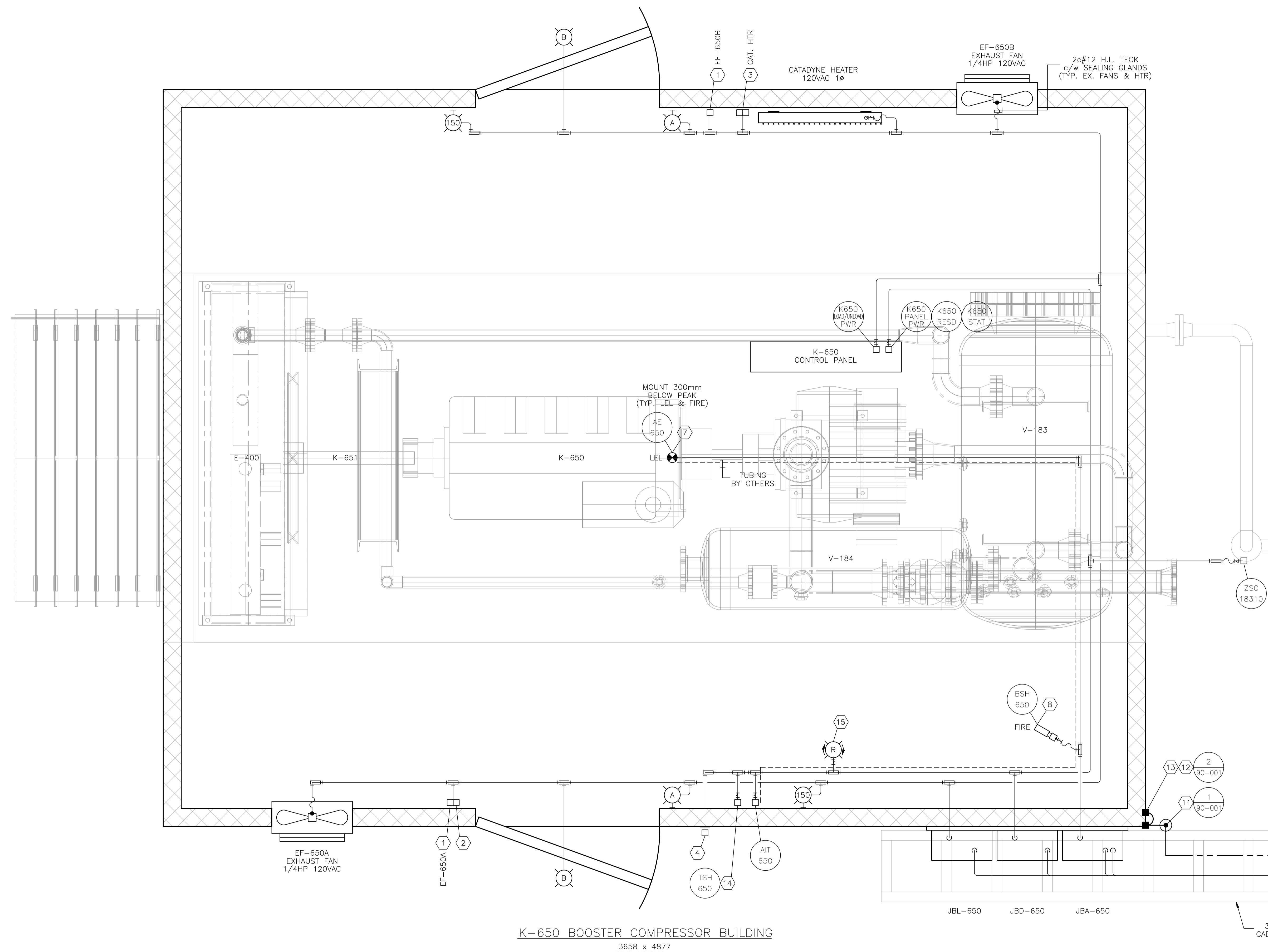
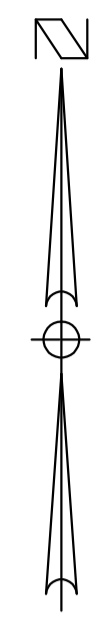
PERMIT STAMP:
STAMP APPLIED TO REV. 2 ONLY

GENERAL NOTES:
1. "POST CONSTRUCTION DRAWINGS" ARE GENERATED FROM CONSTRUCTION CHANGE INFORMATION FORWARDED TO BOWER DAMBERGER ROLSETH ENGINEERING LTD. BY THE OWNER'S FIELD SUPERVISORS AND/OR FIELD CONTRACTORS. ANY CHANGES NOT DOCUMENTED WILL NOT APPEAR ON THE DRAWINGS AND THEREFORE THE DRAWING MAY NOT BE AN ACCURATE REPRESENTATION OF THE CONSTRUCTED FACILITY.
2. PRIOR TO THE COMMENCEMENT OF ANY CONSTRUCTION AND/OR EXCAVATION IT SHALL BE THE RESPONSIBILITY OF THE OWNER'S REPRESENTATIVE TO VERIFY THE LOCATION AND STATUS OF ANY PIPING, ELECTRICAL, EQUIPMENT OR BUILDINGS.
3. ANY REVISIONS MADE TO EXISTING EQUIPMENT, PIPING OR ELECTRICAL ON A FACILITY NOT DESIGNED BY B.D.R. ENG. LTD. IS ONLY SHOWN AS A REPRESENTATION OF WHAT EXISTS AND MUST BE VERIFIED BY THE OWNER.

DRN.	BY	DATE
CHK.	FC	04.09.30
APP'D.		
L.S.D.	15-10-62-06 WSM	



FORT ENERGY CORPORATION		
CORBETT GAS PLANT		
V-182 BLOWCASE BUILDING GAS DETECTION DETAIL		
SCALE	DRAWING NUMBER	REV
N/A	D-23212-E-12-015	3



BILL OF MATERIALS
(AS REQUIRED)

FIXTURES

- A. CROUSE HINDS #EVLBPX142151 120V, 150W HIGH PRESSURE SODIUM, WALL MOUNT FIXTURE c/w GLOBE, GUARD AND LAMP. CLASS 1, ZONE 1 & 2, EXPLOSION PROOF.
- B. CROUSE HINDS #VXHBF25GP 120V, 150W INCANDESCENT, WALL MOUNT FIXTURE c/w GLOBE, GUARD, JUNCTION BOX AND LAMP. CLASS 1, DIV 2, FOR WET LOCATIONS.

MATERIALS

- 1. CROUSE HINDS #DSFS933 ON/OFF SWITCH, 277VAC, 20AMPS MAX. SINGLE POLE. CLASS 1, DIV 1, EXPLOSION PROOF, FACTORY SEALED.
- 2. CROUSE HINDS #CPS152R DELAYED ACTION RECEPTACLE, 115-250VAC, 20AMPS, 1HP MAX. CLASS 1, DIV 1, EXPLOSION PROOF.
- 3. CATADYNE HEATER 120VAC START STATION COMPRISED OF:
1 - EFSC272 FEED THRU BOX,
1 - DSFS933 ON/OFF SWITCH AND
1 - DSD946J1 RED 120VAC PILOT LIGHT, EXPLOSION PROOF.
- 4. CROUSE HINDS CEAG #HG432KLM00SGT551211/2511 ESD PUSHBUTTON c/w RED SHROUD AND MIN. 4" x 6" ESD WARNING LAMICOID. CLASS 1, ZONE 1, EXPLOSION PROOF.
- 5. NEMA 4 STEEL ENCLOSURE SIZED AS PER DRAWING c/w BACK PAN, TERMINAL BLOCKS AND MOUNTING HARDWARE.
- 6. HOFFMAN #A-NMV6 JUNCTION BOX DRAIN SEAL.
- 7. NET SAFETY MOD. #MLP-A-SC1100-SEP MILLENNIUM COMBUSTIBLE GAS DETECTOR, 24VDC c/w 4-20mA SIGNAL OUTPUT, SEPARATOR KIT AND CCS-1 SPLASH GUARD.
- 8. NET SAFETY MOD. #LUVS-AR STAND ALONE UV FIRE DETECTOR, 24VDC c/w 4-20mA SIGNAL OUTPUT, RELAY OUTPUT BOARD, SWIVEL AND JB4-UV-T ASSY.
- 9. #2/0-#2/0 C-TAP SPLICE, INSTALLED c/w TAPE AND GLYPTOL SPRAY.
- 10. #2/0-#2 C-TAP SPLICE, INSTALLED c/w TAPE AND GLYPTOL SPRAY.
- 11. 300mm x 75mm COPPER CLUB GROUND RODS c/w
- GROUND WELL;
- INSPECTION COVER;
- GROUND ROD (#2/0).
- 12. GROUNDING SERVIT POST - #2/0 OR #2 AS REQUIRED.
- 13. BUILDING BONDING PLATE c/w #2 CRIMP-ON LUG.
- 14. CROUSE HINDS #HRC2, CLASS 1, DIV 1 & DIV 2 HEATING AND COOLING BIMETALLIC THERMOSTAT.
- 15. FEDERAL SIGNAL #225x, 24VDC, RED ROTATING BEACON. CLASS 1, DIV 2, FOR WET LOCATIONS.

NOTES:

- 1. ALL WIRING TO THE SKID DEVICES SHALL BE TAKEN FROM THE RIGHTHAND SIDE OF THE TERMINALS, DIRECT WITHOUT SPLICES OF ANY KIND.
- 2. WIRING FOR ALL DEVICES SHALL BE TAGGED AS PER J.BOX LAYOUTS.
- 3. FIELD CONTRACTOR TO ENSURE ALL INCOMING/EXITING TECK CABLES ARE c/w GROUNDING BUSHINGS.
- 4. ALL J.BOXES ARE TO HAVE LAMICOID NAME PLATES AS PER DRAWINGS.
- 5. FIELD CONTRACTOR WILL BE RESPONSIBLE FOR GROUNDING AS WELL AS THE PACKING AND POURING OF ALL SEALS. THIS APPLIES WHETHER OR NOT THE SKID ARRIVES PRE-WIRED.
- 6. CONDUIT METHOD WILL BE RA c/w ALL FITTINGS.
- 7. ALL CABLES TO ENTER/EXIT THE BOTTOM OF THE J.BOXES. ALL CONDUIT TO ENTER/EXIT THE TOP OF THE J.BOXES VIA MYERS HUB.
- 8. THE INTERIOR OF THIS SKID IS CLASSIFIED CLASS-1 ZONE-2. THE EXTERIOR OF THIS SKID IS CLASSIFIED CLASS-1 ZONE-2 FOR THE FIRST 3 METERS.
- 9. INSTALLATION TO BE DONE ACCORDING TO GENERAL SPEC. INCLUDED WITH BID PACKAGE.
- 10. LEL DETECTORS TO BE INSTALLED USING OWNER SUPPLIED SEPARATION KITS. SEPARATION KITS TO BE MOUNTED ON WALL @ APPROXIMATELY 1500mm TO CENTER.
- 11. ALL VERTICAL CABLE TRAY RISERS ARE TO BE COMPLETE WITH PROPER SUPPORTS AND ALUMINUM TRAY COVER.
- 12. WINDOWS AND DOORS ARE NOT TO BE USED FOR VENTILATION.

K-650 BOOSTER COMPRESSOR BUILDING
3658 x 4877
EAVE HEIGHT -

LPF-650-1
ASF-650-1
TMF-650-1
TMF-650-2
#2/0 TWH

NO.	REVISION	PROJ. No.	BY	DATE	CHK.	DATE
3	POST CONSTRUCTION REVISIONS	43733	SM	05.02.02	ATB	05.02.02
2	ISSUED FOR CONSTRUCTION	43733	FC	04.10.28	ATB	04.11.01
1	ISSUED FOR FIELD BID	43733	FC	04.10.15	ATB	04.10.15
0	ISSUED FOR APPROVAL	43733	FC	04.10.08	ATB	04.10.12

PERMIT STAMP:	
STAMP APPLIED TO REV. 2 ONLY	

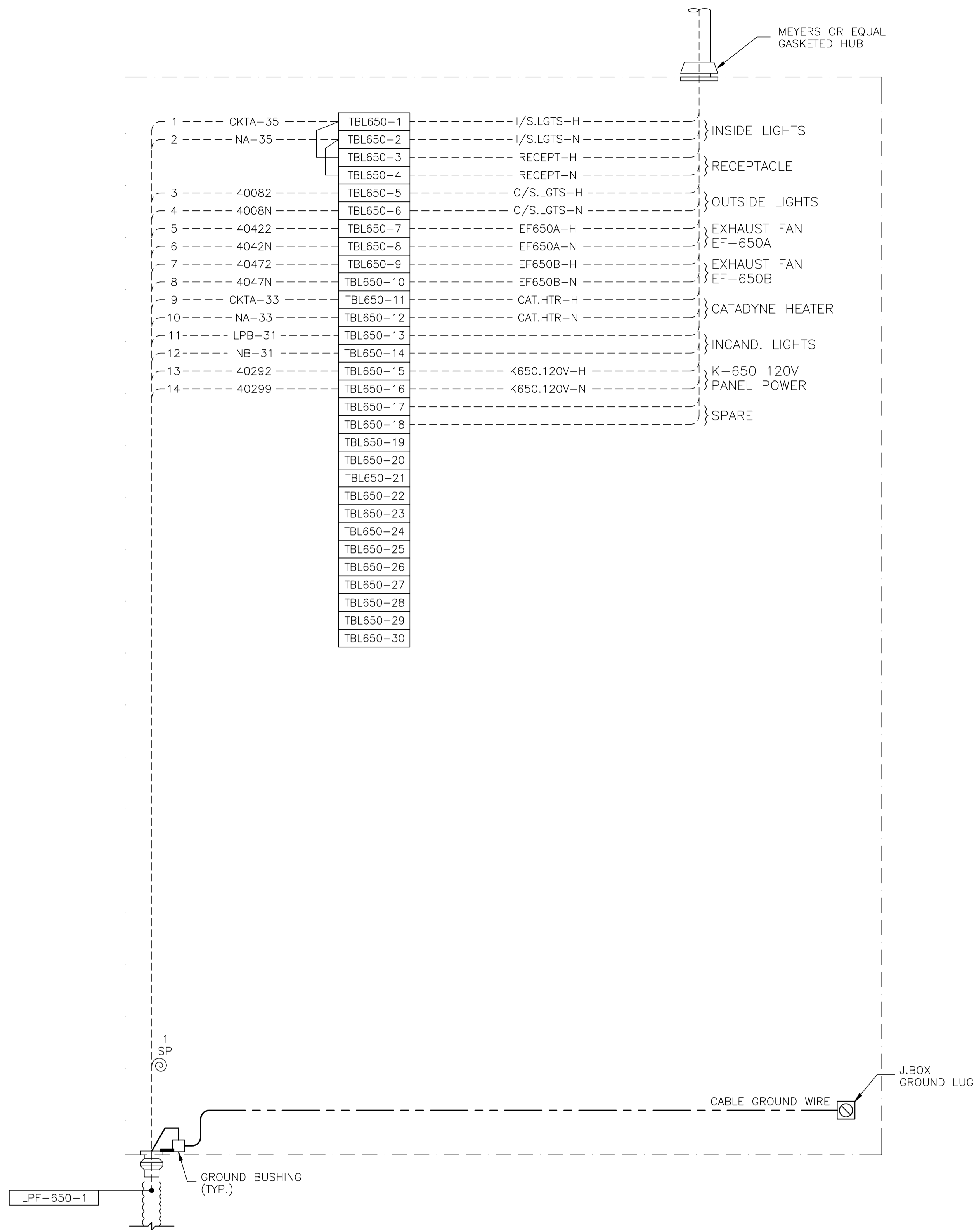
GENERAL NOTES:

- "POST CONSTRUCTION DRAWINGS" ARE GENERATED FROM CONSTRUCTION CHANGE INFORMATION FORWARDED TO BOWER DAMBERGER ROLSETH ENGINEERING LTD. BY THE OWNER'S FIELD SUPERVISORS AND/OR FIELD CONTRACTORS. ANY CHANGES NOT DOCUMENTED WILL NOT APPEAR ON THE DRAWINGS AND THEREFORE THE DRAWING MAY NOT BE AN ACCURATE REPRESENTATION OF THE CONSTRUCTED FACILITY.
- PRIOR TO THE COMMENCEMENT OF ANY CONSTRUCTION AND/OR EXCAVATION IT SHALL BE THE RESPONSIBILITY OF THE OWNER REPRESENTATIVE TO VERIFY THE LOCATION AND STATUS OF ANY PIPING, ELECTRICAL, EQUIPMENT OR BUILDINGS.
- ANY REVISIONS MADE TO EXISTING EQUIPMENT, PIPING OR ELECTRICAL ON A FACILITY NOT DESIGNED BY B.D.R. ENG. LTD. IS ONLY SHOWN AS A REPRESENTATION OF WHAT EXISTS AND MUST BE VERIFIED BY THE OWNER.

DRN.	BY	DATE
CHK.	FC	04.10.08
APP'D.		
L.S.D.	15-10-62-06 WSM	



FORT ENERGY CORPORATION		
CORBETT GAS PLANT		
K-650 BOOSTER COMPRESSOR SKID ELECTRICAL LAYOUT		
SCALE	DRAWING NUMBER	REV
1 : 10	D-23212-E-13-001	3



JBL-650 - 120VAC UTILITIES

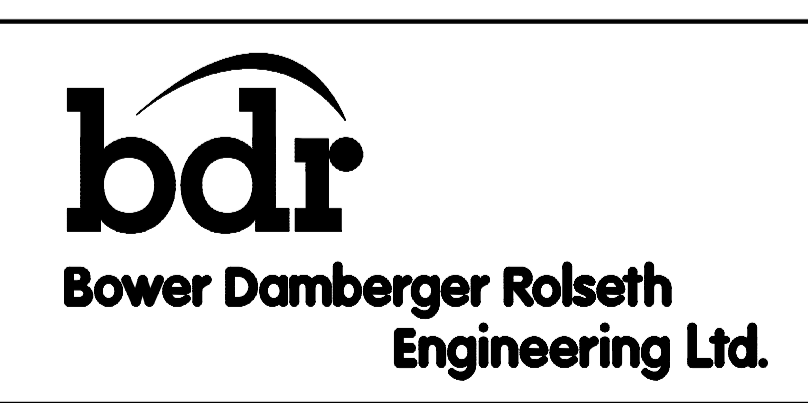
NO.	REVISION	PROJ. No.	BY	DATE	CHK.	DATE
2	ISSUED FOR CONSTRUCTION	43733	FC	04.10.28	ATB	04.11.01
1	ISSUED FOR FIELD BID	43733	FC	04.10.15	ATB	04.10.15
0	ISSUED FOR APPROVAL	43733	FC	04.09.30	ATB	04.10.12

PERMIT STAMP:	STAMP APPLIED TO REV. 2 ONLY
---------------	------------------------------

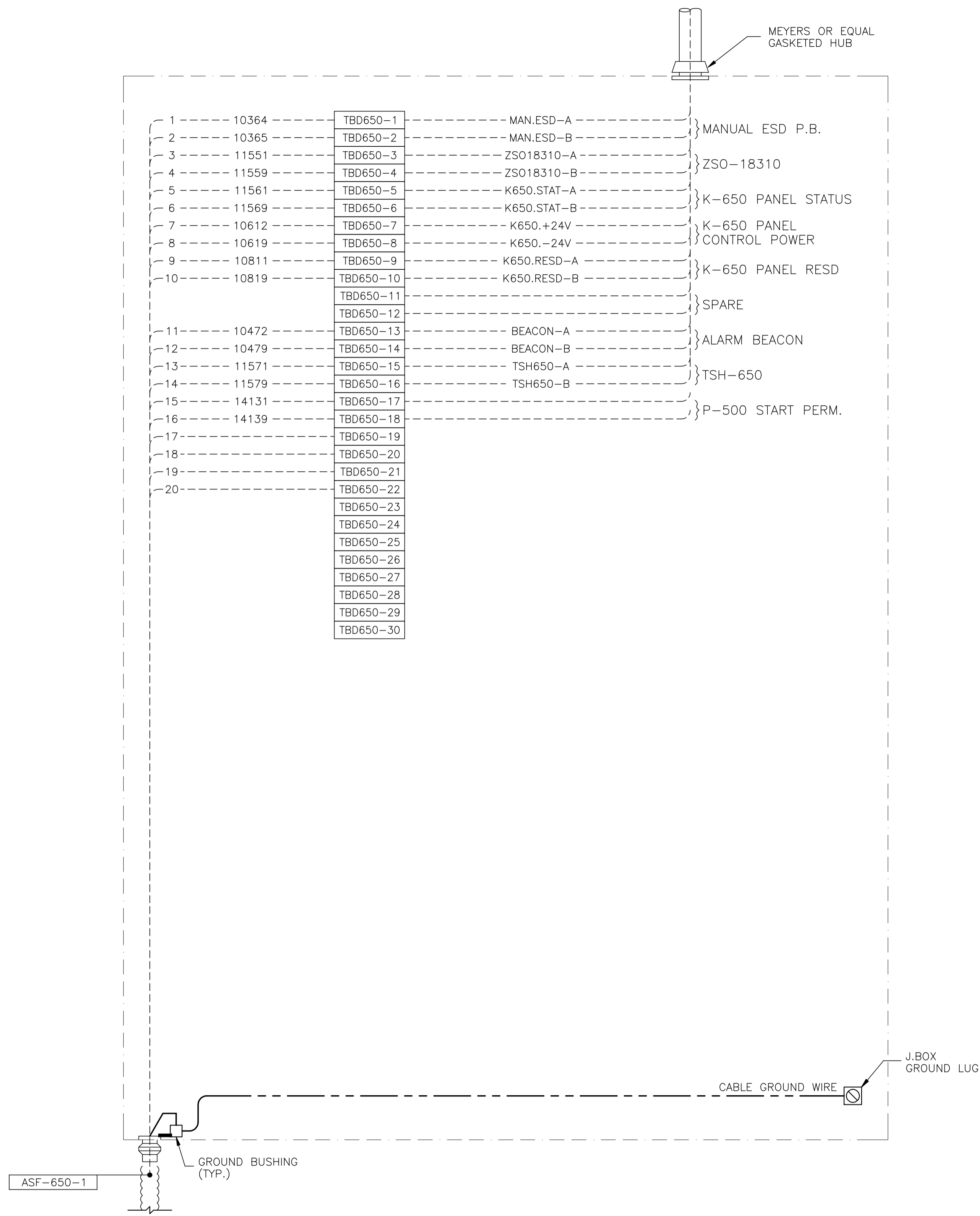
GENERAL NOTES:

- "POST CONSTRUCTION DRAWINGS" ARE GENERATED FROM CONSTRUCTION CHANGE INFORMATION FORWARDED TO BOWER DAMBERGER ROLSETH ENGINEERING LTD. BY THE OWNER'S FIELD SUPERVISORS AND/OR BIDDING CONTRACTORS. ANY CHANGES NOT DOCUMENTED WILL NOT APPEAR ON THE DRAWINGS AND THEREFORE THE DRAWING MAY NOT BE AN ACCURATE REPRESENTATION OF THE CONSTRUCTED FACILITY.
- PRIOR TO THE COMMENCEMENT OF ANY CONSTRUCTION AND/OR EXCAVATION IT SHALL BE THE RESPONSIBILITY OF THE OWNER'S REPRESENTATIVE TO VERIFY THE LOCATION AND STATUS OF ANY PIPING, ELECTRICAL EQUIPMENT OR BUILDINGS.
- ANY REVISIONS MADE TO EXISTING EQUIPMENT, PIPING OR ELECTRICAL ON A FACILITY NOT DESIGNED BY B.D.R. ENG. LTD. IS ONLY SHOWN AS A REPRESENTATION OF WHAT EXISTS AND MUST BE VERIFIED BY THE OWNER.

	BY	DATE
DRN.	FC	04.09.30
CHK.	BGO	04.11.02
APP'D.	WDS	04.11.02
L.S.D.	15-10-62-06	W5M



FORT ENERGY CORPORATION		
CORBETT GAS PLANT		
K-650 BOOSTER COMP. BLDG. J.BOX JBL-650 WIRING DETAIL		
SCALE	DRAWING NUMBER	REV
N/A	D-23212-E-13-012	2



JBD-650 - 24VDC CONTROL

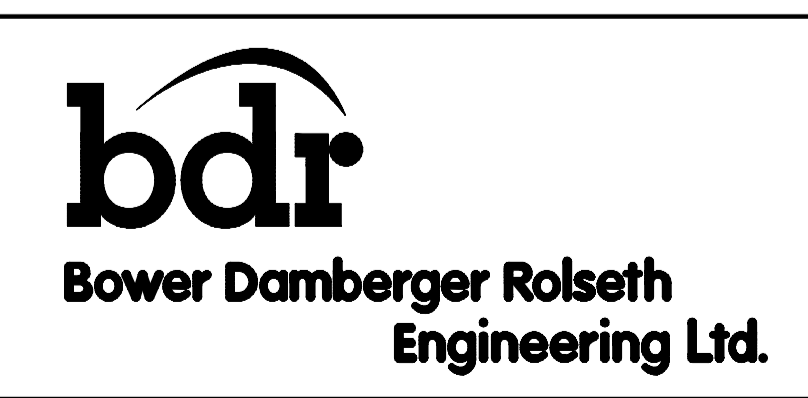
NO.	REVISION	PROJ. No.	BY	DATE	CHK.	DATE
2	ISSUED FOR CONSTRUCTION	43733	FC	04.10.28	ATB	04.11.01
1	ISSUED FOR FIELD BID	43733	FC	04.10.15	ATB	04.10.15
0	ISSUED FOR APPROVAL	43733	FC	04.09.30	ATB	04.10.12

PERMIT STAMP:	STAMP APPLIED TO REV. 2 ONLY
---------------	------------------------------

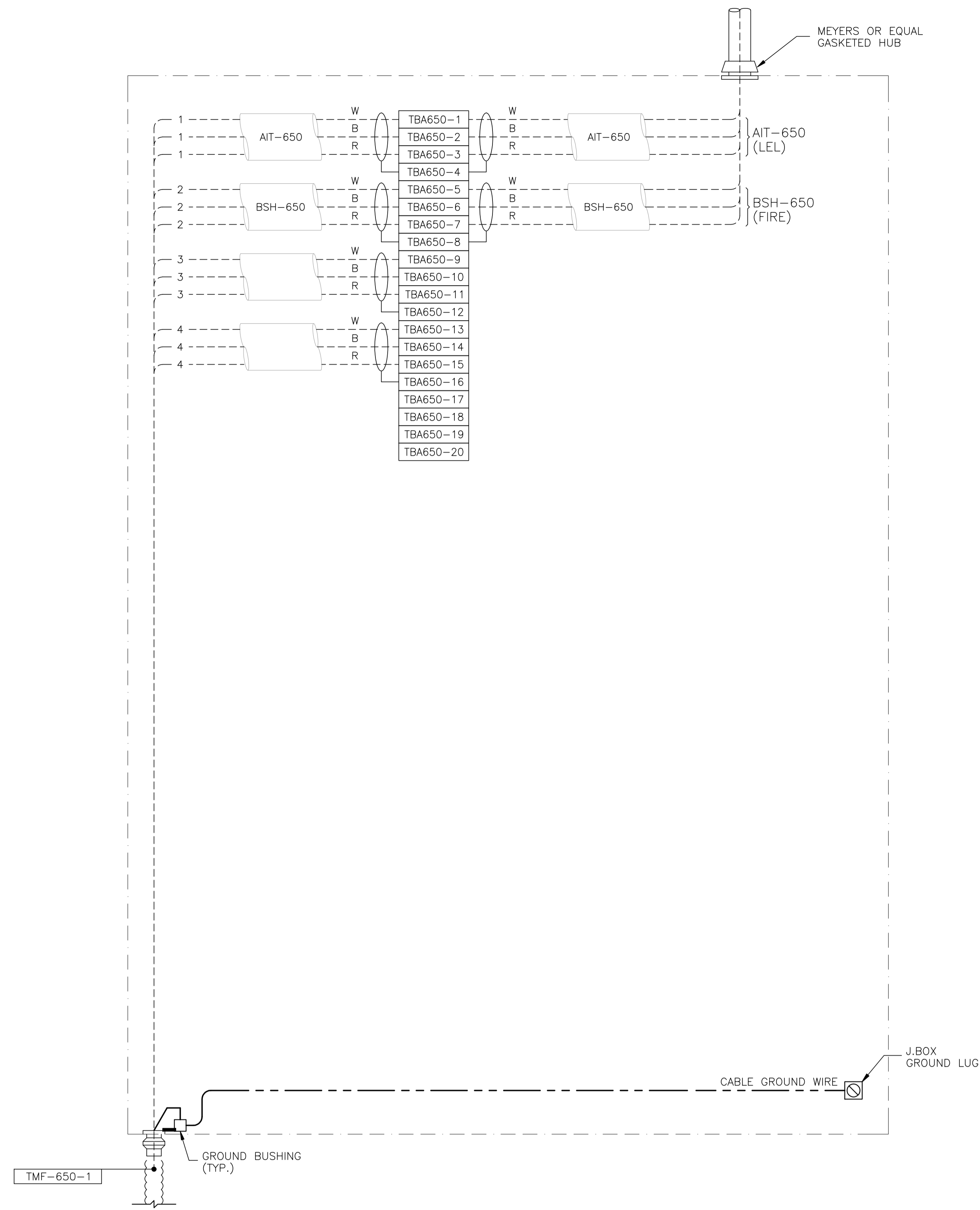
GENERAL NOTES:

- "POST CONSTRUCTION DRAWINGS" ARE GENERATED FROM CONSTRUCTION CHANGE INFORMATION FORWARDED TO BOWER DAMBERGER ROLSETH ENGINEERING LTD. BY THE OWNER'S FIELD SUPERVISORS AND/OR FIELD CONTRACTORS. ANY CHANGES NOT DOCUMENTED WILL NOT APPEAR ON THE DRAWINGS AND THEREFORE THE DRAWING MAY NOT BE AN ACCURATE REPRESENTATION OF THE CONSTRUCTED FACILITY.
- PRIOR TO THE COMMENCEMENT OF ANY CONSTRUCTION AND/OR EXCAVATION IT SHALL BE THE RESPONSIBILITY OF THE OWNER'S REPRESENTATIVE TO VERIFY THE LOCATION AND STATUS OF ANY PIPING, ELECTRICAL EQUIPMENT OR BUILDINGS.
- ANY REVISIONS MADE TO EXISTING EQUIPMENT, PIPING OR ELECTRICAL ON A FACILITY NOT DESIGNED BY B.D.R. ENG. LTD. IS ONLY SHOWN AS A REPRESENTATION OF WHAT EXISTS AND MUST BE VERIFIED BY THE OWNER.

	BY	DATE
DRN.	FC	04.09.30
CHK.	BGO	04.11.02
APP'D.	WDS	04.11.02
L.S.D.	15-10-62-06	W5M



FORT ENERGY CORPORATION		
CORBETT GAS PLANT		
K-650 BOOSTER COMP. BLDG. J.BOX JBD-650 WIRING DETAIL		
SCALE	DRAWING NUMBER	REV
N/A	D-23212-E-13-014	2



JBA-650 - ANALOG

NO.	REVISION	PROJ. No.	BY	DATE	CHK.	DATE
2	ISSUED FOR CONSTRUCTION	43733	FC	04.10.28	ATB	04.11.01
1	ISSUED FOR FIELD BID	43733	FC	04.10.15	ATB	04.10.15
0	ISSUED FOR APPROVAL	43733	FC	04.09.30	ATB	04.10.12

PERMIT STAMP:

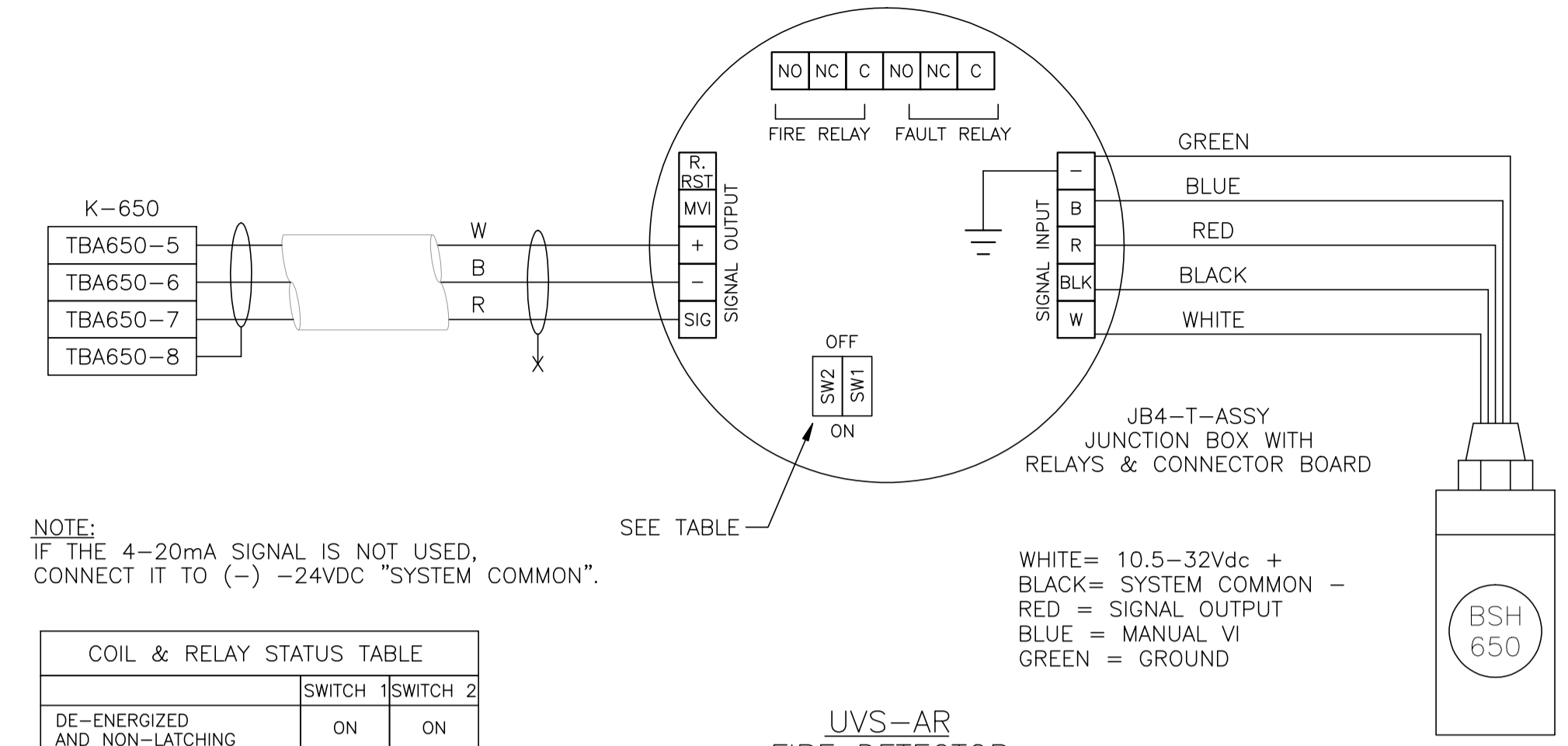
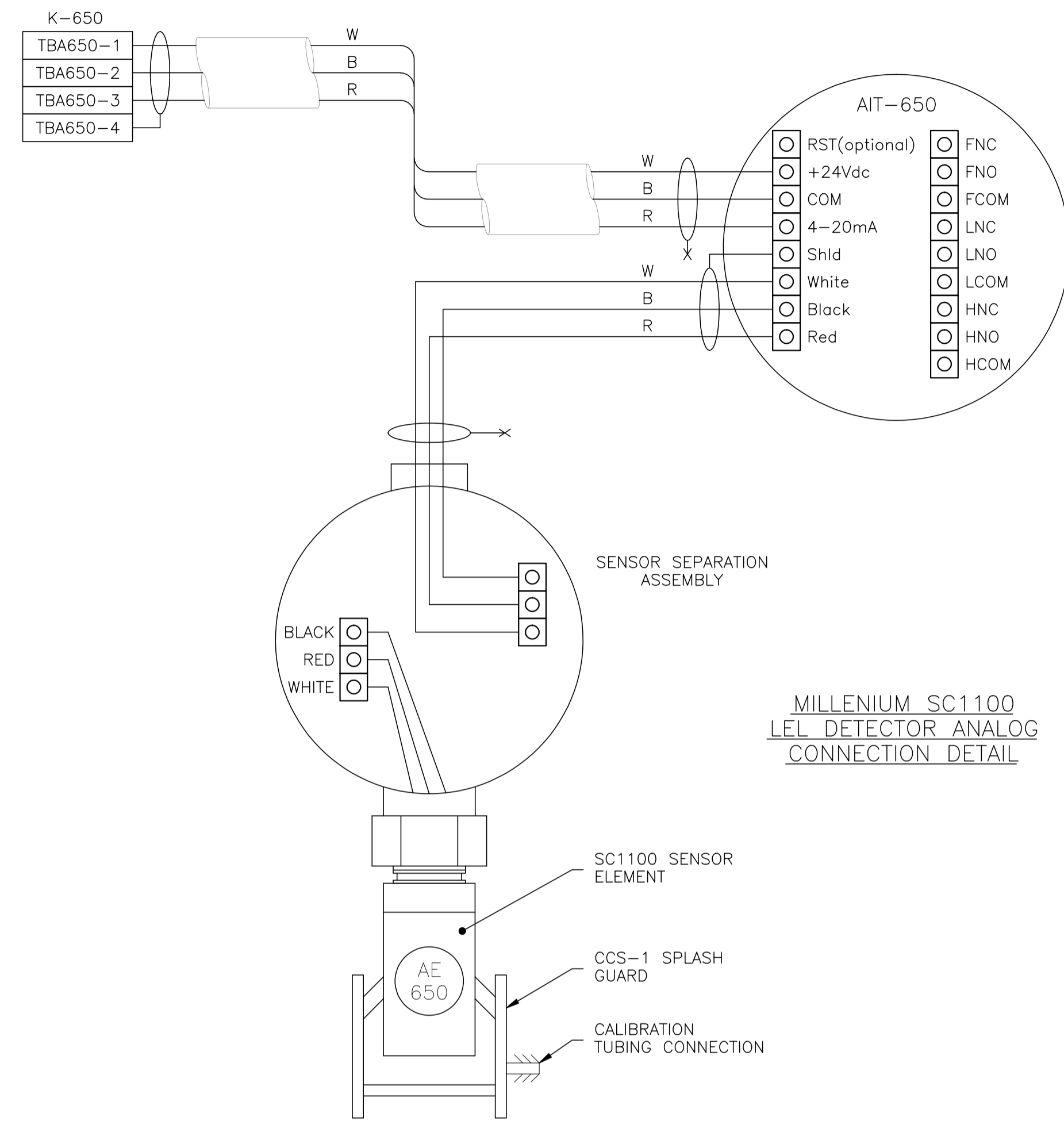
STAMP APPLIED TO REV. 2 ONLY

GENERAL NOTES:

- "POST CONSTRUCTION DRAWINGS" ARE GENERATED FROM CONSTRUCTION CHANGE INFORMATION FORWARDED TO BOWER DAMBERGER ROLSETH ENGINEERING LTD. BY THE OWNER'S FIELD SUPERVISORS AND/OR FIELD CONTRACTORS. ANY CHANGES NOT DOCUMENTED WILL NOT APPEAR ON THE DRAWINGS AND THEREFORE THE DRAWING MAY NOT BE AN ACCURATE REPRESENTATION OF THE CONSTRUCTED FACILITY.
- PRIOR TO THE COMMENCEMENT OF ANY CONSTRUCTION AND/OR EXCAVATION IT SHALL BE THE RESPONSIBILITY OF THE OWNER'S REPRESENTATIVE TO VERIFY THE LOCATION AND STATUS OF ANY PIPING, ELECTRICAL EQUIPMENT OR BUILDINGS.
- ANY REVISIONS MADE TO EXISTING EQUIPMENT, PIPING OR ELECTRICAL ON A FACILITY NOT DESIGNED BY B.D.R. ENG. LTD. IS ONLY SHOWN AS A REPRESENTATION OF WHAT EXISTS AND MUST BE VERIFIED BY THE OWNER.

DRN.	BY	DATE
CHK.	FC	04.09.30
APP'D.	BGO	04.11.02
L.S.D.	WDS	04.11.02
	15-10-62-06	WSM

FORT ENERGY CORPORATION		
CORBETT GAS PLANT		
K-650 BOOSTER COMP. BLDG. J.BOX JBA-650 WIRING DETAIL		
SCALE	DRAWING NUMBER	REV
N/A	D-23212-E-13-016	2



NOTE:
IF THE 4-20mA SIGNAL IS NOT USED,
CONNECT IT TO (-) -24VDC "SYSTEM COMMON".

	COIL & RELAY STATUS TABLE	
	SWITCH 1	SWITCH 2
DE-ENERGIZED AND NON-LATCHING	ON	ON
ENERGIZED AND NON-LATCHING	ON	OFF
DE-ENERGIZED AND LATCHING	OFF	ON
ENERGIZED AND LATCHING	OFF	OFF

UVS-AR
FIRE DETECTOR
CONNECTION DETAIL
(ANALOG CONNECTION)

NO.	REVISION	PROJ. No.	BY	DATE	CHK.	DATE
2	ISSUED FOR CONSTRUCTION	43733	FC	04.10.28	ATB	04.11.01
1	ISSUED FOR FIELD BID	43733	FC	04.10.15	ATB	04.10.15
0	ISSUED FOR APPROVAL	43733	FC	04.09.30	ATB	04.10.12

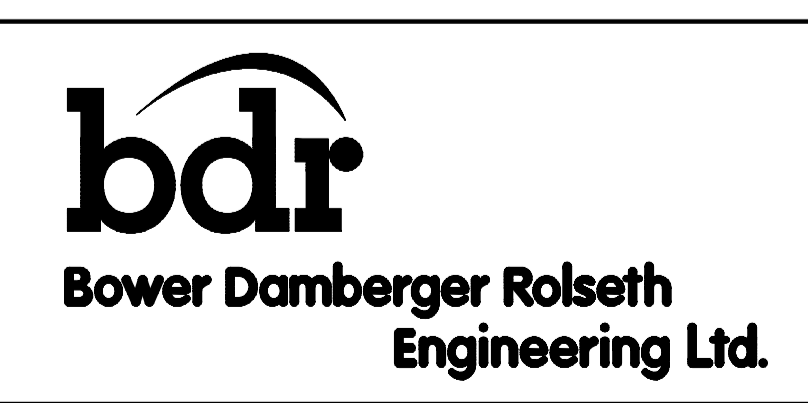
PERMIT STAMP:

STAMP APPLIED TO REV. 2 ONLY

GENERAL NOTES:

- "POST CONSTRUCTION DRAWINGS" ARE GENERATED FROM CONSTRUCTION CHANGE INFORMATION FORWARDED TO BOWER DAMBERGER ROLSETH ENGINEERING LTD. BY THE OWNER'S FIELD SUPERVISORS AND/OR FIELD CONTRACTORS. ANY CHANGES NOT DOCUMENTED WILL NOT APPEAR ON THE DRAWINGS AND THEREFORE THE DRAWING MAY NOT BE AN ACCURATE REPRESENTATION OF THE CONSTRUCTED FACILITY.
- PRIOR TO THE COMMENCEMENT OF ANY CONSTRUCTION AND/OR EXCAVATION IT SHALL BE THE RESPONSIBILITY OF THE OWNER'S REPRESENTATIVE TO VERIFY THE LOCATION AND STATUS OF ANY PIPING, ELECTRICAL, EQUIPMENT OR BUILDINGS.
- ANY REVISIONS MADE TO EXISTING EQUIPMENT, PIPING OR ELECTRICAL ON A FACILITY NOT DESIGNED BY B.D.R. ENG. LTD. IS ONLY SHOWN AS A REPRESENTATION OF WHAT EXISTS AND MUST BE VERIFIED BY THE OWNER.

	BY	DATE
DRN.	FC	04.09.30
CHK.	BGO	04.11.02
APP'D.	WDS	04.11.02
L.S.D.	15-10-62-06	W5M



FORT ENERGY CORPORATION		
CORBETT GAS PLANT		
K-650 BOOSTER COMP. BLDG. GAS DETECTION DETAIL		
SCALE	DRAWING NUMBER	REV
N/A	D-23212-E-13-017	2



BILL OF MATERIALS
(AS REQUIRED)

FIXTURES

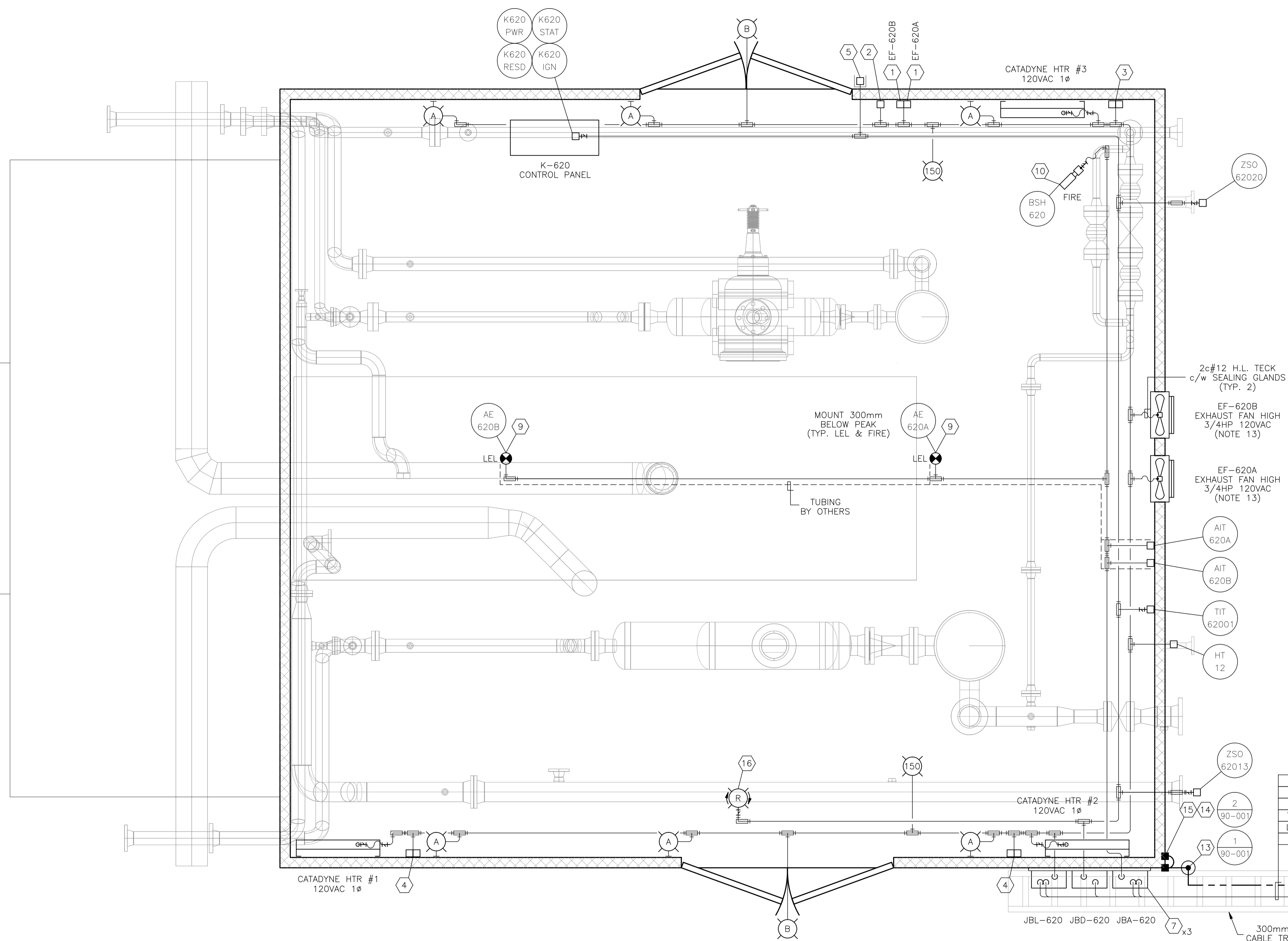
- A. CROUSE HINDS #EVLBPX142151 120V, 150W HIGH PRESSURE SODIUM, WALL MOUNT FIXTURE c/w GLOBE, GUARD AND LAMP. CLASS 1, ZONE 1 & 2, EXPLOSION PROOF.
- B. CROUSE HINDS #VXHBF25GP 120V, 150W INCANDESCENT, WALL MOUNT FIXTURE c/w GLOBE, GUARD, JUNCTION BOX AND LAMP. CLASS 1, DIV 2, FOR WET LOCATIONS.

MATERIALS

- 1. CROUSE HINDS #DSFS933 ON/OFF SWITCH, 277VAC, 20AMPS MAX. SINGLE POLE, CLASS 1, EXPLOSION PROOF, FACTORY SEALED.
- 2. CROUSE HINDS #CPS152R DELAYED ACTION RECEPTACLE, 115-250VAC, 20AMPS, 1HP MAX. CLASS 1, DIV 1, EXPLOSION PROOF.
- 3. CATADYNE HEATER 120VAC START STATION COMPRISED OF:
 - 1 - EFSC272 FEED THRU BOX,
 - 1 - DSFS933 ON/OFF SWITCH AND
 - 1 - DSD946J1 RED 120VAC PILOT LIGHT, EXPLOSION PROOF.
- 4. CATADYNE HEATER 120VAC START STATION COMPRISED OF:
 - 1 - EFSC272 FEED THRU BOX,
 - 1 - DSFS933 20AMP 3-WAY SWITCH AND
 - 1 - DSD946J1 RED 120VAC PILOT LIGHT, EXPLOSION PROOF.
- 5. CROUSE HINDS CEAG #GHG432KLM00SGT551211/2511 ESD PUSHBUTTON c/w RED SHROUD AND MIN. 4" x 6" ESD WARNING LAMICOID. CLASS 1, ZONE 1, EXPLOSION PROOF.
- 6. CROUSE HINDS #HRC2, CLASS 1, DIV 1 & DIV 2 HEATING AND COOLING BIMETALLIC THERMOSTAT.
- 7. NEMA 4 STEEL ENCLOSURE SIZED AS PER DRAWING c/w BACK PAN, TERMINAL BLOCKS AND MOUNTING HARDWARE.
- 8. HOFFMAN #A-NM6 JUNCTION BOX DRAIN SEAL.
- 9. NET SAFETY MOD. #MLP-A-SC1100-SEP MILLINIUM COMBUSTIBLE GAS DETECTOR, 24VDC c/w 4-20mA SIGNAL OUTPUT, SEPARATOR KIT AND CCS-1 SPLASH GUARD.
- 10. NET SAFETY MOD. #UVS-AR STAND ALONE UV FIRE DETECTOR, 24VDC c/w 4-20mA SIGNAL OUTPUT, RELAY OUTPUT BOARD, SWIVEL AND JB4-UV-T ASSY.
- 11. #2/0-#2/0 C-TAP SPLICE, INSTALLED c/w TAPE AND GLYPTOL SPRAY.
- 12. #2/0-#2 C-TAP SPLICE, INSTALLED c/w TAPE AND GLYPTOL SPRAY.
- 13. 300mm x 75mm COPPER CLUB GROUND RODS c/w
 - GROUND WELL;
 - INSPECTION COVER;
 - GROUND ROD (#2/0).
- 14. GROUNDING SERVIT POST - #2/0 OR #2 AS REQUIRED.
- 15. BUILDING BONDING PLATE c/w #2 CRIMP-ON LUG.
- 16. FEDERAL SIGNAL #225x, 24V, RED ROTATING BEACON. CLASS 1, DIV 2, FOR WET LOCATIONS.

NOTES:

- 1. ALL WIRING TO THE SKID DEVICES SHALL BE TAKEN FROM THE RIGHTHAND SIDE OF THE TERMINALS, DIRECT WITHOUT SPLICES OF ANY KIND.
- 2. WIRING FOR ALL DEVICES SHALL BE TAGGED AS PER J.BOX LAYOUTS.
- 3. FIELD CONTRACTOR TO ENSURE ALL INCOMING/EXITING TECK CABLES ARE c/w GROUNDING BUSHINGS.
- 4. ALL J.BOXES ARE TO HAVE LAMICOID NAME PLATES AS PER DRAWINGS.
- 5. FIELD CONTRACTOR WILL BE RESPONSIBLE FOR GROUNDING AS WELL AS THE PACKING AND POURING OF ALL SEALS. THIS APPLIES WHETHER OR NOT THE SKID ARRIVES PRE-WIRED.
- 6. CONDUIT METHOD WILL BE RA c/w ALL FITTINGS.
- 7. ALL CABLES TO ENTER/EXIT THE BOTTOM OF THE J.BOXES. ALL CONDUIT TO ENTER/EXIT THE TOP OF THE J.BOXES VIA MYERS HUB.
- 8. THE INTERIOR OF THIS SKID IS CLASSIFIED CLASS-1 ZONE-2. THE EXTERIOR OF THIS SKID IS CLASSIFIED CLASS-1 ZONE-2 FOR THE FIRST 3 METERS.
- 9. INSTALLATION TO BE DONE ACCORDING TO GENERAL SPEC. INCLUDED WITH BID PACKAGE.
- 10. LEL DETECTORS TO BE INSTALLED USING OWNER SUPPLIED SEPARATION KITS. SEPARATION KITS TO BE MOUNTED ON WALL @ APPROXIMATELY 1500mm TO CENTER.
- 11. ALL VERTICAL CABLE TRAY RISERS ARE TO BE COMPLETE WITH PROPER SUPPORTS AND ALUMINUM TRAY COVER.
- 12. WINDOWS AND DOORS ARE NOT TO BE USED FOR VENTILATION.
- 13. EXHAUST FAN EF-620A IS TO BE SET AT 80°F, EXHAUST FAN EF-620B IS TO BE SET AT 90°F.



K-620 COMPRESSOR BUILDING
6706 x 7621
EAVE HEIGHT - 3964

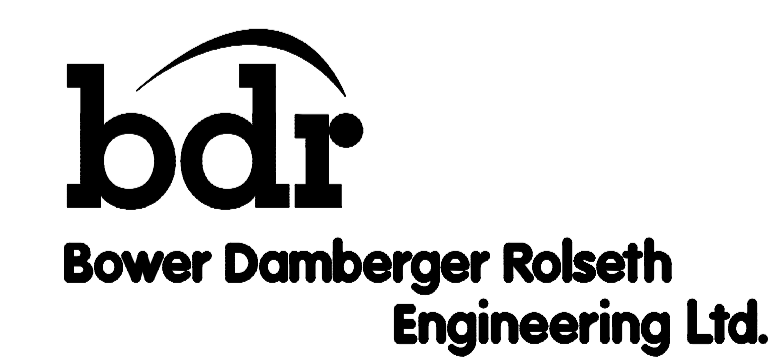
LPF-620-1
ASF-620-1
TMF-620-1
TMF-620-2
LP-620-1.1
#2/0 TWH

NO.	REVISION	PROJ. No.	BY	DATE	CHK.	DATE
4	POST CONSTRUCTION REVISIONS	43733	SM	05.02.02	ATB	05.02.02
3	ISSUED FOR CONSTRUCTION	43733	FC	04.10.28	ATB	04.11.01
2	ISSUED FOR FIELD BID	43733	FC	04.10.15	ATB	04.10.15
1	ISSUED FOR SKID CONSTRUCTION	43733	FC	04.10.15	ATB	04.10.15
0	ISSUED FOR APPROVAL	43733	PC	04.08.23	ATB	04.10.12

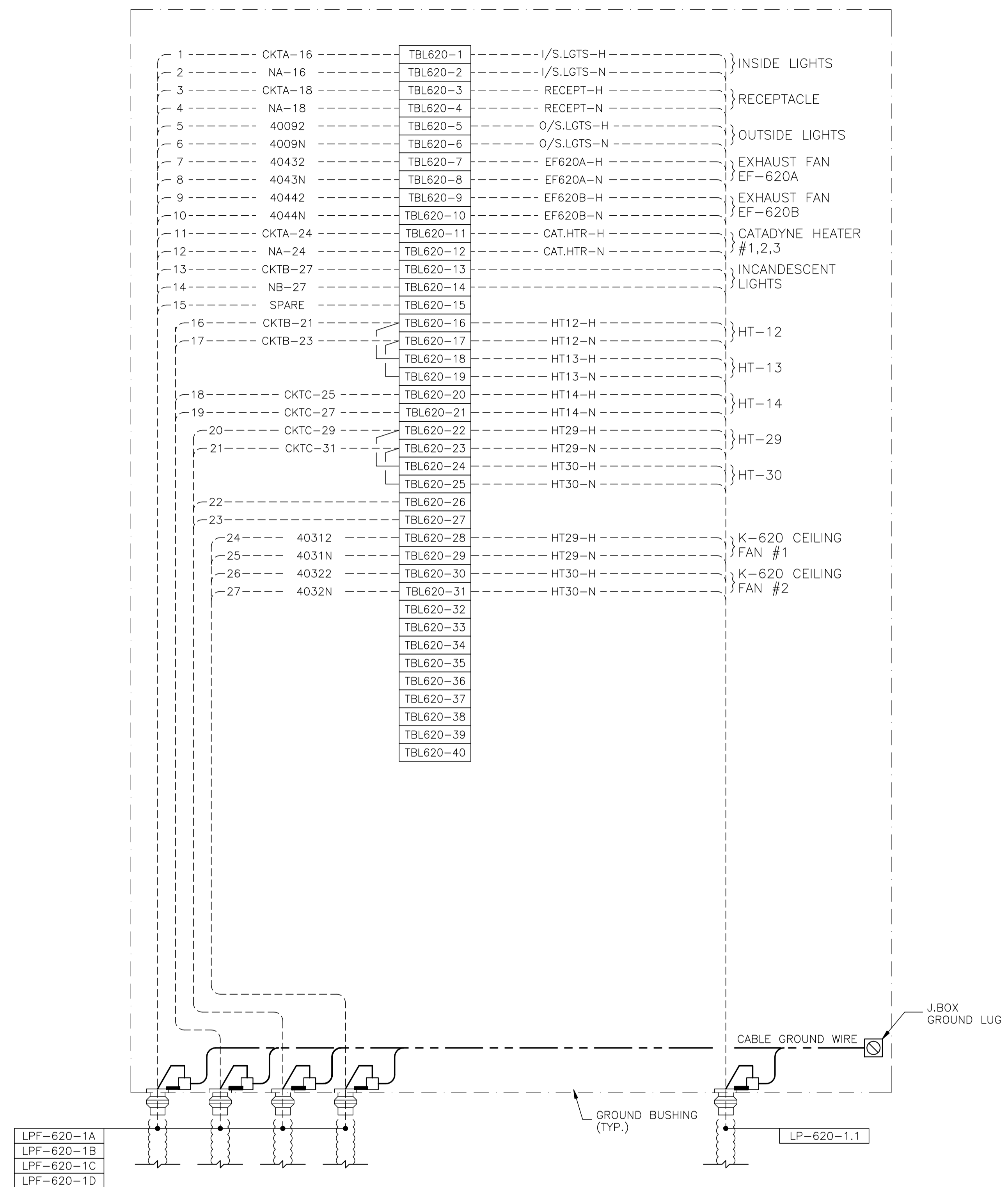
PERMIT STAMP:	STAMP APPLIED TO REV. 3 ONLY
----------------------	------------------------------

GENERAL NOTES:
1. "POST CONSTRUCTION DRAWINGS" ARE GENERATED FROM CONSTRUCTION CHANGE INFORMATION FORWARDED TO BOWER DAMBERGER ROLSETH ENGINEERING LTD. BY THE OWNER'S FIELD SUPERVISORS AND/OR FIELD CONTRACTORS. ANY CHANGES NOT DOCUMENTED WILL NOT APPEAR ON THE DRAWINGS AND THEREFORE THE DRAWING MAY NOT BE AN ACCURATE REPRESENTATION OF THE CONSTRUCTED FACILITY.
2. PRIOR TO THE COMMENCEMENT OF ANY CONSTRUCTION AND/OR EXCAVATION IT SHALL BE THE RESPONSIBILITY OF THE OWNER'S REPRESENTATIVE TO VERIFY THE LOCATION AND STATUS OF ANY PIPING, ELECTRICAL EQUIPMENT OR BUILDINGS.
3. ANY REVISIONS MADE TO EXISTING EQUIPMENT, PIPING OR ELECTRICAL ON A FACILITY NOT DESIGNED BY B.D.R. ENG. LTD. IS ONLY SHOWN AS A REPRESENTATION OF WHAT EXISTS AND MUST BE VERIFIED BY THE OWNER.

DRN.	BY	DATE
CHK.	FC	04.10.04
APP'D.		
L.S.D.	15-10-62-06 WSM	



FORT ENERGY CORPORATION		
CORBETT GAS PLANT		
K-620 COMPRESSOR BUILDING ELECTRICAL LAYOUT		
SCALE	DRAWING NUMBER	REV
1 : 20	D-23212-E-14-001	4



JBL-620 - 120VAC UTILITIES

NO.	REVISION	PROJ. No.	BY	DATE	CHK.	DATE
4	POST CONSTRUCTION REVISIONS	43733	SM	05.02.02	ATB	05.02.02
3	ISSUED FOR CONSTRUCTION	43733	FC	04.10.28	ATB	04.11.01
2	ISSUED FOR FIELD BID	43733	FC	04.10.15	ATB	04.10.15
1	ISSUED FOR SKID CONSTRUCTION	43733	FC	04.10.15	ATB	04.10.15
0	ISSUED FOR APPROVAL	43733	FC	04.09.30	ATB	04.10.12

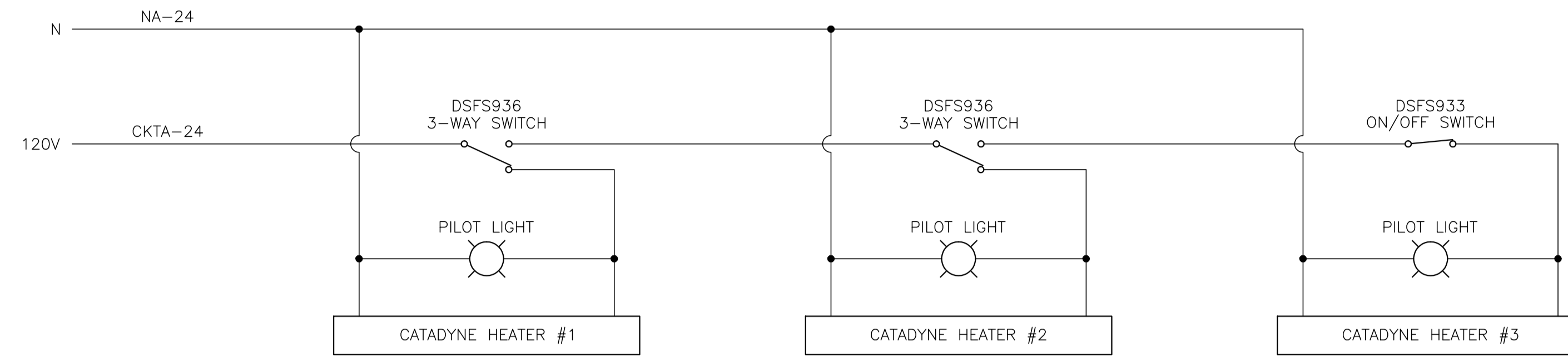
PERMIT STAMP:
 STAMP APPLIED TO REV. 3 ONLY

GENERAL NOTES:
 1. "POST CONSTRUCTION DRAWINGS" ARE GENERATED FROM CONSTRUCTION CHANGE INFORMATION FORWARDED TO BOWER DAMBERGER ROLSETH ENGINEERING LTD. BY THE OWNER'S FIELD SUPERVISORS AND/OR BIDDING CONTRACTORS. ANY CHANGES NOT DOCUMENTED WILL NOT APPEAR ON THE DRAWINGS AND THEREFORE THE DRAWING MAY NOT BE AN ACCURATE REPRESENTATION OF THE CONSTRUCTED FACILITY.
 2. PRIOR TO THE COMMENCEMENT OF ANY CONSTRUCTION AND/OR EXCAVATION IT SHALL BE THE RESPONSIBILITY OF THE OWNER'S REPRESENTATIVE TO VERIFY THE LOCATION AND STATUS OF ANY PIPING, ELECTRICAL EQUIPMENT OR BUILDINGS.
 3. ANY REVISIONS MADE TO EXISTING EQUIPMENT, PIPING OR ELECTRICAL ON A FACILITY NOT DESIGNED BY B.D.R. ENG. LTD. IS ONLY SHOWN AS A REPRESENTATION OF WHAT EXISTS AND MUST BE VERIFIED BY THE OWNER.

DRN.	BY	DATE
CHK.	FC	04.09.30
APP'D.		
L.S.D.	15-10-62-06	WSM



FORT ENERGY CORPORATION		
CORBETT GAS PLANT		
K-620 COMPRESSOR BUILDING J.BOX JBL-620 WIRING DETAIL		
SCALE	DRAWING NUMBER	REV
N/A	D-23212-E-14-012	4



CATADYNE HEATERS INSTALLATION DETAILS

NO.	REVISION	PROJ. No.	BY	DATE	CHK.	DATE
4	POST CONSTRUCTION REVISIONS	43733	SM	05.02.02	ATB	05.02.02
3	ISSUED FOR CONSTRUCTION	43733	FC	04.10.28	ATB	04.11.01
2	ISSUED FOR FIELD BID	43733	FC	04.10.15	ATB	04.10.15
1	ISSUED FOR SKID CONSTRUCTION	43733	FC	04.10.15	ATB	04.10.15
0	ISSUED FOR APPROVAL	43733	FC	04.09.30	ATB	04.10.12

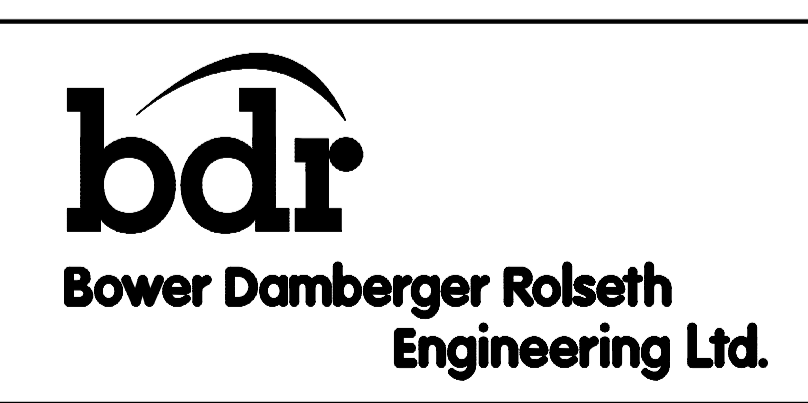
PERMIT STAMP:

STAMP APPLIED TO REV. 3 ONLY

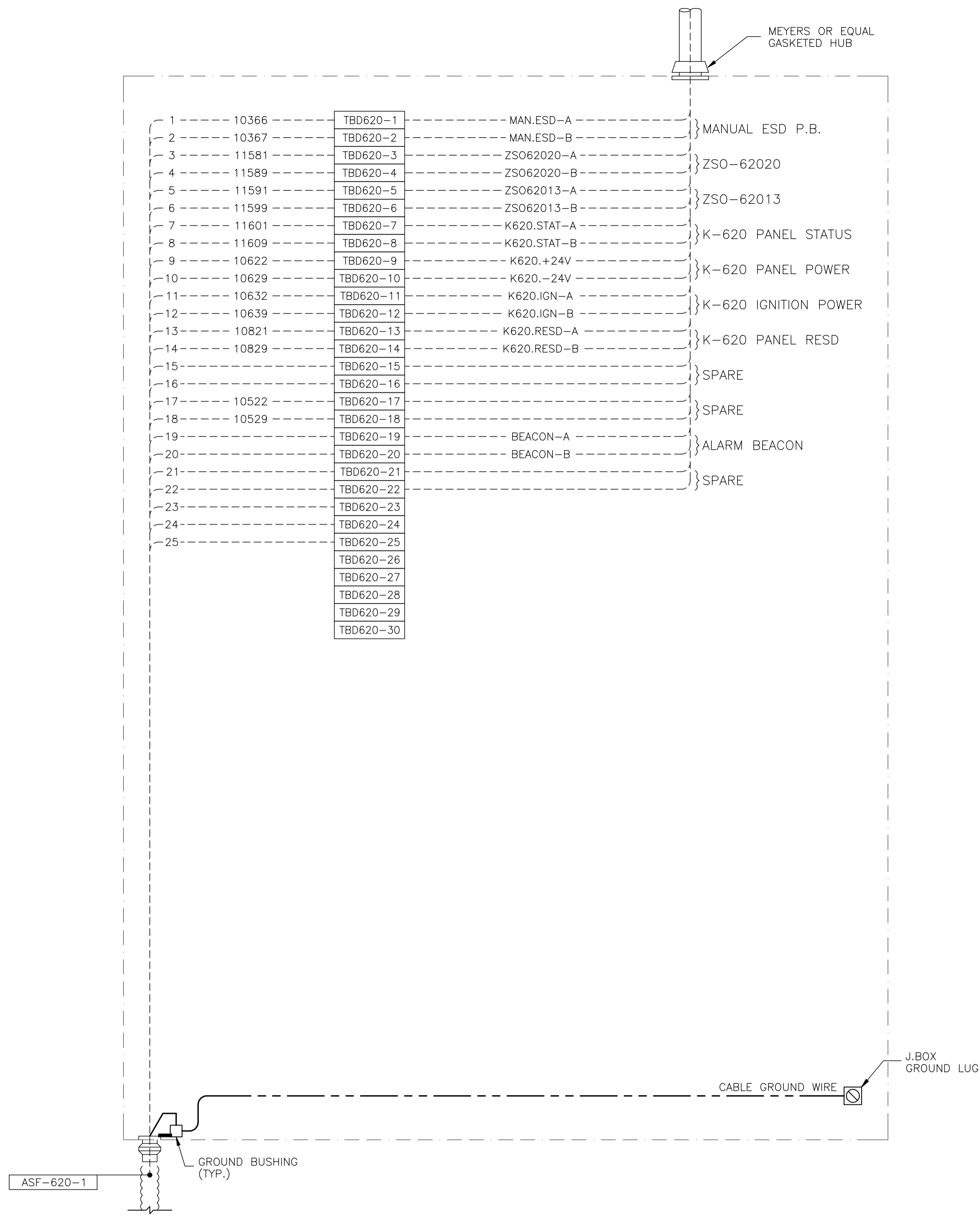
GENERAL NOTES:

- "POST CONSTRUCTION DRAWINGS" ARE GENERATED FROM CONSTRUCTION CHANGE INFORMATION FORWARDED TO BOWER DAMBERGER ROLSETH ENGINEERING LTD. BY THE OWNER'S FIELD SUPERVISORS AND/OR FIELD CONTRACTORS. ANY CHANGES NOT DOCUMENTED WILL NOT APPEAR ON THE DRAWINGS AND THEREFORE THE DRAWING MAY NOT BE AN ACCURATE REPRESENTATION OF THE CONSTRUCTED FACILITY.
- PRIOR TO THE COMMENCEMENT OF ANY CONSTRUCTION AND/OR EXCAVATION IT SHALL BE THE RESPONSIBILITY OF THE OWNER'S REPRESENTATIVE TO VERIFY THE LOCATION AND STATUS OF ANY PIPING, ELECTRICAL EQUIPMENT OR BUILDINGS.
- ANY REVISIONS MADE TO EXISTING EQUIPMENT, PIPING OR ELECTRICAL ON A FACILITY NOT DESIGNED BY B.D.R. ENG. LTD. IS ONLY SHOWN AS A REPRESENTATION OF WHAT EXISTS AND MUST BE VERIFIED BY THE OWNER.

	BY	DATE
DRN.	FC	04.09.30
CHK.		
APP'D.		
L.S.D.	15-10-62-06	WSM



FORT ENERGY CORPORATION		
CORBETT GAS PLANT		
K-620 COMPRESSOR BUILDING 120VAC WIRING DETAIL		
SCALE	DRAWING NUMBER	REV
N/A	D-23212-E-14-013	4



JBD-620 - 24VDC CONTROL

NO.	REVISION	PROJ. No.	BY	DATE	CHK.	DATE
4	POST CONSTRUCTION REVISIONS	43733	SM	05.02.02	ATB	05.02.02
3	ISSUED FOR CONSTRUCTION	43733	FC	04.10.28	ATB	04.11.01
2	ISSUED FOR FIELD BID	43733	FC	04.10.15	ATB	04.10.15
1	ISSUED FOR SKID CONSTRUCTION	43733	FC	04.10.15	ATB	04.10.15
0	ISSUED FOR APPROVAL	43733	FC	04.09.30	ATB	04.10.12

PERMIT STAMP:	STAMP APPLIED TO REV. 3 ONLY

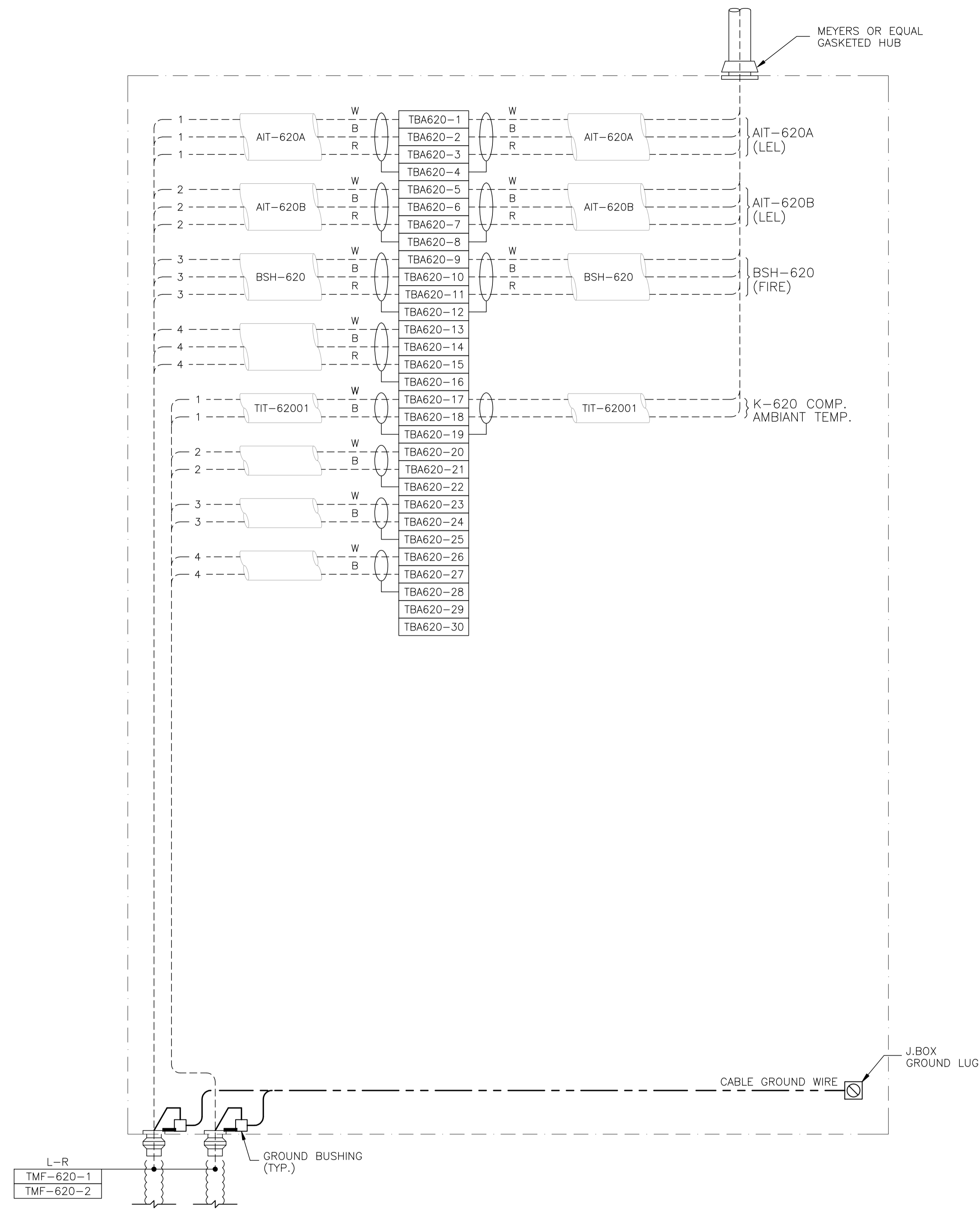
GENERAL NOTES:

- "POST CONSTRUCTION DRAWINGS" ARE GENERATED FROM CONSTRUCTION CHANGE INFORMATION FORWARDED TO BOWER DAMBERGER ROLSETH ENGINEERING LTD. BY THE OWNER'S FIELD SUPERVISORS AND/OR FIELD CONTRACTORS. ANY CHANGES NOT DOCUMENTED WILL NOT APPEAR ON THE DRAWINGS AND THEREFORE THE DRAWING MAY NOT BE AN ACCURATE REPRESENTATION OF THE CONSTRUCTED FACILITY.
- PRIOR TO THE COMMENCEMENT OF ANY CONSTRUCTION AND/OR EXCAVATION IT SHALL BE THE RESPONSIBILITY OF THE OWNER'S REPRESENTATIVE TO VERIFY THE LOCATION AND STATUS OF ANY PIPING, ELECTRICAL EQUIPMENT OR BUILDINGS.
- ANY REVISIONS MADE TO EXISTING EQUIPMENT, PIPING OR ELECTRICAL ON A FACILITY NOT DESIGNED BY B.D.R. ENG. LTD. IS ONLY SHOWN AS A REPRESENTATION OF WHAT EXISTS AND MUST BE VERIFIED BY THE OWNER.

DRN.	BY	DATE
CHK.	FC	04.09.30
APP'D.		
L.S.D.	15-10-62-06	WSM

Bower Damberger Rolseth Engineering Ltd.

FORT ENERGY CORPORATION		
CORBETT GAS PLANT		
K-620 COMPRESSOR BUILDING J.BOX JBD-620 WIRING DETAIL		
SCALE	DRAWING NUMBER	REV
N/A	D-23212-E-14-015	4



JBA-620 - ANALOG

NO.	REVISION	PROJ. No.	BY	DATE	CHK.	DATE
4	POST CONSTRUCTION REVISIONS	43733	SM	05.02.02	ATB	05.02.02
3	ISSUED FOR CONSTRUCTION	43733	FC	04.10.28	ATB	04.11.01
2	ISSUED FOR FIELD BID	43733	FC	04.10.15	ATB	04.10.15
1	ISSUED FOR SKID CONSTRUCTION	43733	FC	04.10.15	ATB	04.10.15
0	ISSUED FOR APPROVAL	43733	FC	04.09.30	ATB	04.10.12

PERMIT STAMP:	STAMP APPLIED TO REV. 3 ONLY

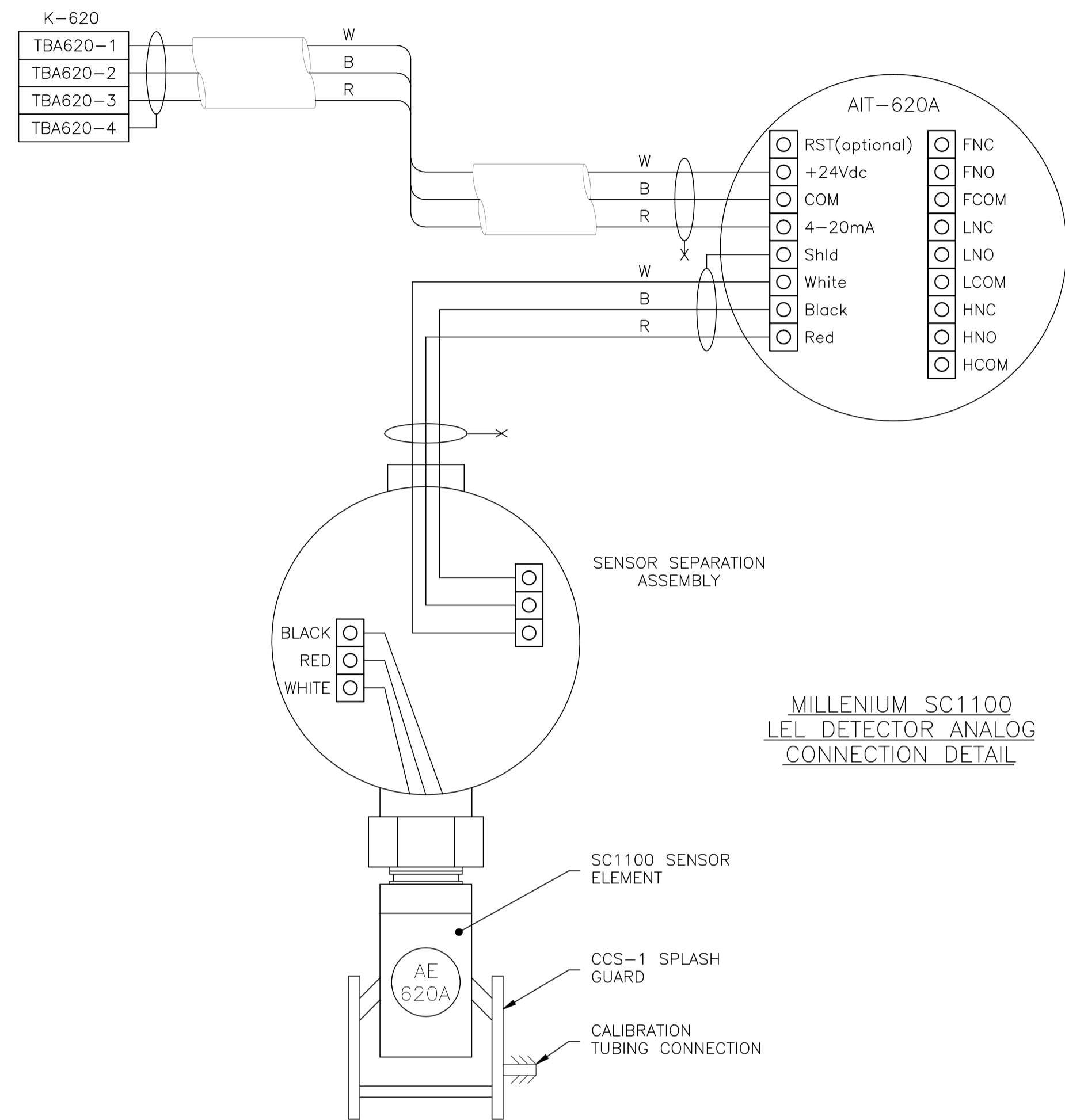
GENERAL NOTES:

- "POST CONSTRUCTION DRAWINGS" ARE GENERATED FROM CONSTRUCTION CHANGE INFORMATION FORWARDED TO BOWER DAMBERGER ROLSETH ENGINEERING LTD. BY THE OWNER'S FIELD SUPERVISORS AND/OR FIELD CONTRACTORS. ANY CHANGES NOT DOCUMENTED WILL NOT APPEAR ON THE DRAWINGS AND THEREFORE THE DRAWING MAY NOT BE AN ACCURATE REPRESENTATION OF THE CONSTRUCTED FACILITY.
- PRIOR TO THE COMMENCEMENT OF ANY CONSTRUCTION AND/OR EXCAVATION IT SHALL BE THE RESPONSIBILITY OF THE OWNER'S REPRESENTATIVE TO VERIFY THE LOCATION AND STATUS OF ANY PIPING, ELECTRICAL EQUIPMENT OR BUILDINGS.
- ANY REVISIONS MADE TO EXISTING EQUIPMENT, PIPING OR ELECTRICAL ON A FACILITY NOT DESIGNED BY B.D.R. ENG. LTD. IS ONLY SHOWN AS A REPRESENTATION OF WHAT EXISTS AND MUST BE VERIFIED BY THE OWNER.

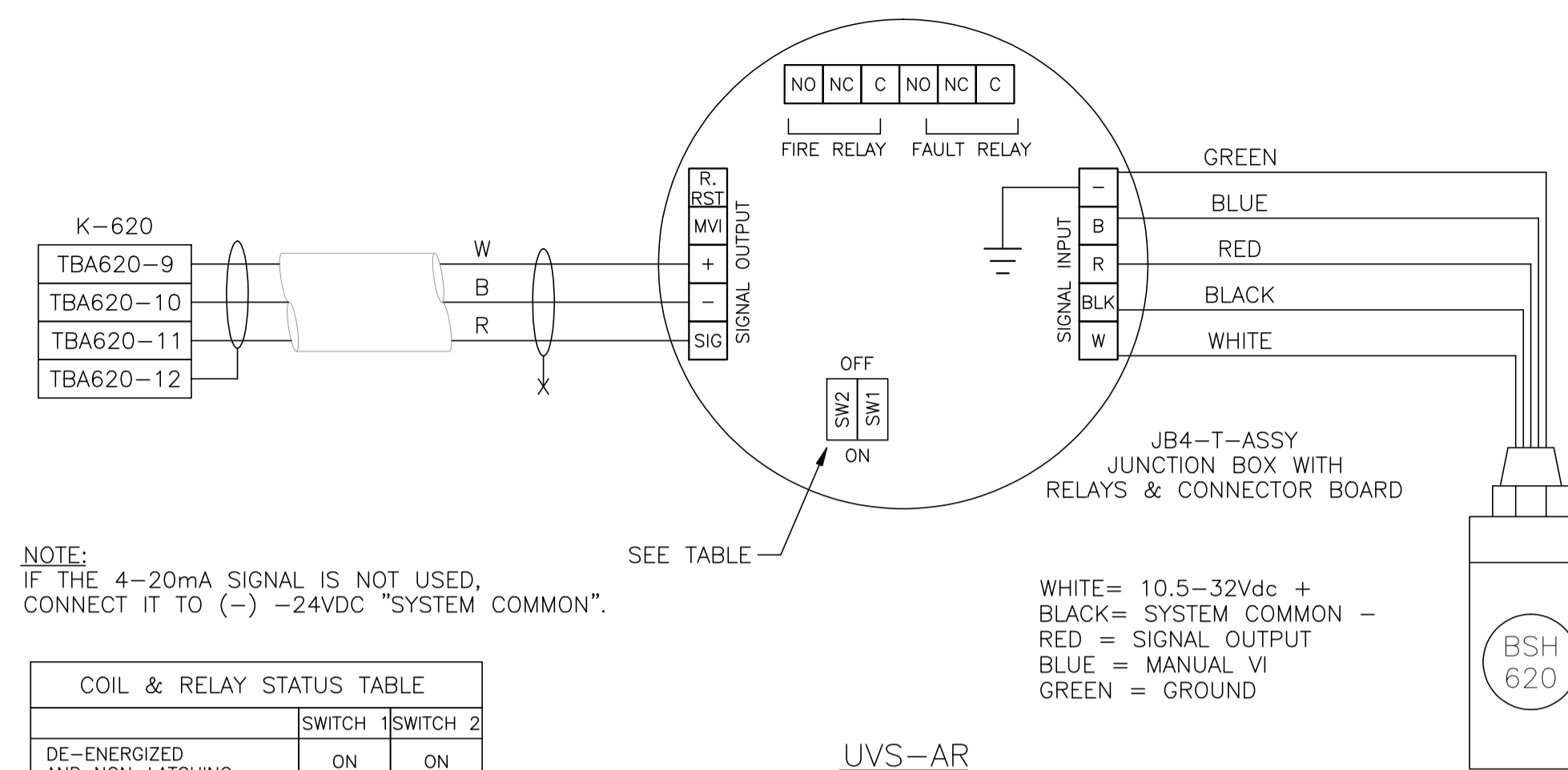
DRN.	BY	DATE
CHK.	FC	04.09.30
APP'D.		
L.S.D.	15-10-62-06	WSM

Bower Damberger Rolseth Engineering Ltd.

FORT ENERGY CORPORATION		
CORBETT GAS PLANT		
K-620 COMPRESSOR BUILDING J.BOX JBA-620 WIRING DETAIL		
SCALE	DRAWING NUMBER	REV
N/A	D-23212-E-14-018	4



MILLENNIUM SC1100
LEL DETECTOR ANALOG
CONNECTION DETAIL



NOTE:
IF THE 4-20mA SIGNAL IS NOT USED,
CONNECT IT TO (-) -24VDC "SYSTEM COMMON".

COIL & RELAY STATUS TABLE		
	SWITCH 1	SWITCH 2
DE-ENERGIZED AND NON-LATCHING	ON	ON
ENERGIZED AND NON-LATCHING	ON	OFF
DE-ENERGIZED AND LATCHING	OFF	ON
ENERGIZED AND LATCHING	OFF	OFF

UVS-AR
FIRE DETECTOR
CONNECTION DETAIL
(ANALOG CONNECTION)

NO.	REVISION	PROJ. No.	BY	DATE	CHK.	DATE
4	POST CONSTRUCTION REVISIONS	43733	SM	05.02.02	ATB	05.02.02
3	ISSUED FOR CONSTRUCTION	43733	FC	04.10.28	ATB	04.11.01
2	ISSUED FOR FIELD BID	43733	FC	04.10.15	ATB	04.10.15
1	ISSUED FOR SKID CONSTRUCTION	43733	FC	04.10.15	ATB	04.10.15
0	ISSUED FOR APPROVAL	43733	FC	04.09.30	ATB	04.10.12

PERMIT STAMP:	STAMP APPLIED TO REV. 3 ONLY
---------------	------------------------------

GENERAL NOTES:	BY DATE
1. "POST CONSTRUCTION DRAWINGS" ARE GENERATED FROM CONSTRUCTION CHANGE INFORMATION FORWARDED TO BOWER DAMBERGER ROLSETH ENGINEERING LTD. BY THE OWNER'S FIELD SUPERVISORS AND/OR FIELD CONTRACTORS. ANY CHANGES NOT DOCUMENTED WILL NOT APPEAR ON THE DRAWINGS AND THEREFORE THE DRAWING MAY NOT BE AN ACCURATE REPRESENTATION OF THE CONSTRUCTED FACILITY.	DRN. FC 04.09.30
2. PRIOR TO THE COMMENCEMENT OF ANY CONSTRUCTION AND/OR EXCAVATION IT SHALL BE THE RESPONSIBILITY OF THE OWNER'S REPRESENTATIVE TO VERIFY THE LOCATION AND STATUS OF ANY PIPING, ELECTRICAL EQUIPMENT OR BUILDINGS.	CHK.
3. ANY REVISIONS MADE TO EXISTING EQUIPMENT, PIPING OR ELECTRICAL ON A FACILITY NOT DESIGNED BY B.D.R. ENG. LTD. IS ONLY SHOWN AS A REPRESENTATION OF WHAT EXISTS AND MUST BE VERIFIED BY THE OWNER.	APP'D. L.S.D. 15-10-62-06 WSM

FORT ENERGY CORPORATION		
CORBETT GAS PLANT		
K-620 COMPRESSOR BUILDING GAS DETECTION DETAIL		
SCALE	DRAWING NUMBER	REV
N/A	D-23212-E-14-019	4



BILL OF MATERIALS
(AS REQUIRED)

FIXTURES

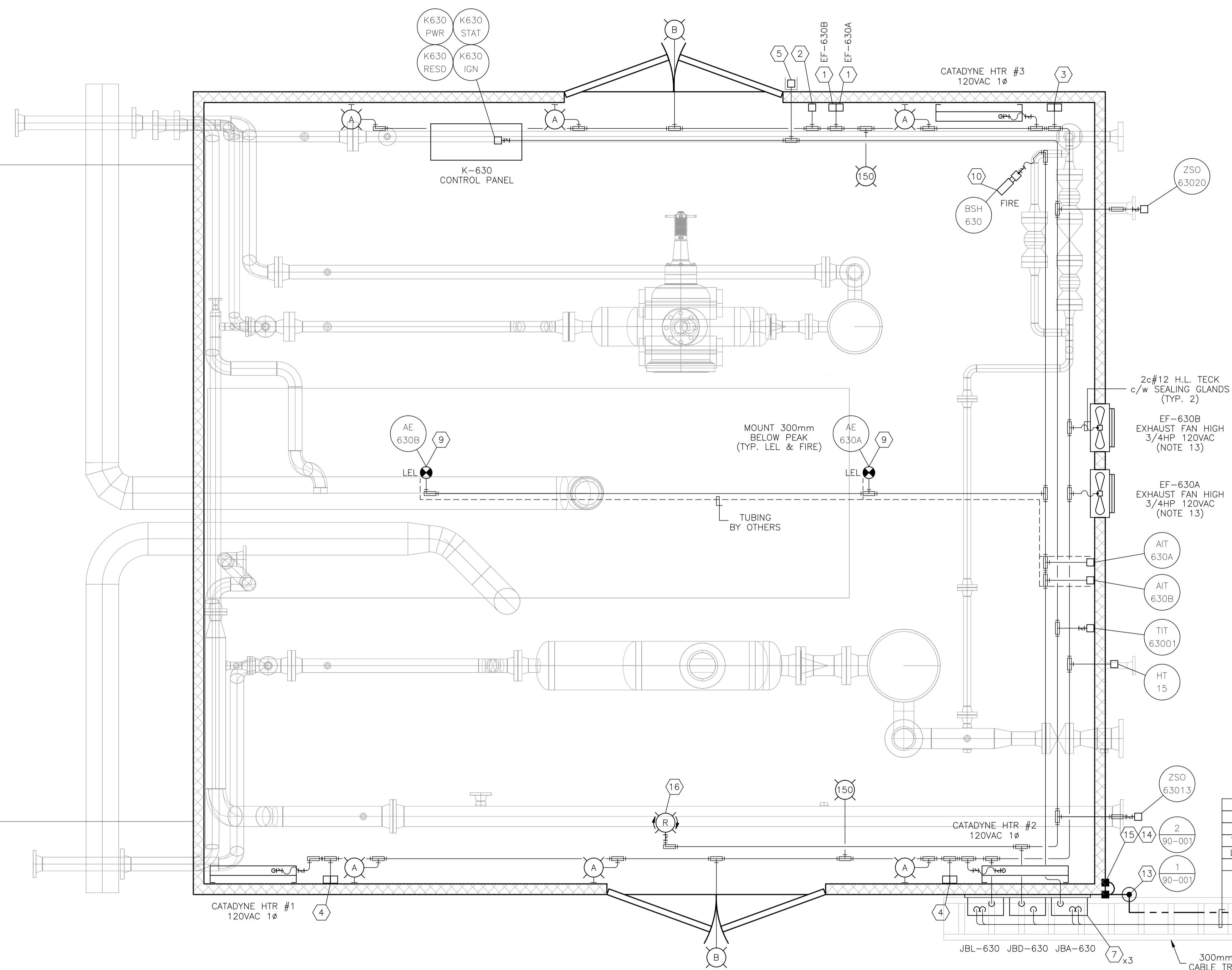
- A. CROUSE HINDS #EVLBPX142151 120V, 150W HIGH PRESSURE SODIUM, WALL MOUNT FIXTURE c/w GLOBE, GUARD AND LAMP. CLASS 1, ZONE 1 & 2, EXPLOSION PROOF.
- B. CROUSE HINDS #VXHBF25GP 120V, 150W INCANDESCENT, WALL MOUNT FIXTURE c/w GLOBE, GUARD, JUNCTION BOX AND LAMP. CLASS 1, DIV 2, FOR WET LOCATIONS.

MATERIALS

1. CROUSE HINDS #DSFS933 ON/OFF SWITCH, 277VAC, 20AMPS MAX. SINGLE POLE, CLASS 1, EXPLOSION PROOF, FACTORY SEALED, CLAYED ACTION RECEPTACLE, 115-250VAC, 20AMPS, 1HP MAX. CLASS 1, DIV 1, EXPLOSION PROOF.
2. CATADYNE HEATER 120VAC START STATION COMPRISED OF:
 - 1 - EFS272 FEED THRU BOX,
 - 1 - DSFS933 ON/OFF SWITCH AND
 - 1 - DSD946J1 RED 120VAC PILOT LIGHT, EXPLOSION PROOF.
3. CATADYNE HEATER 120VAC START STATION COMPRISED OF:
 - 1 - EFS272 FEED THRU BOX,
 - 1 - DSFS933 20AMP 3-WAY SWITCH AND
 - 1 - DSD946J1 RED 120VAC PILOT LIGHT, EXPLOSION PROOF.
4. CROUSE HINDS CEAG #GHG432KLM00SGT551211/2511 ESD PUSHBUTTON c/w RED SHROUD AND MIN. 4" x 6" ESD WARNING LAMICOID. CLASS 1, ZONE 1, EXPLOSION PROOF.
5. CROUSE HINDS #HRC2, CLASS 1, DIV 1 & DIV 2 HEATING AND COOLING BIMETALLIC THERMOSTAT.
6. NEMA 4 STEEL ENCLOSURE SIZED AS PER DRAWING c/w BACK PAN, TERMINAL BLOCKS AND MOUNTING HARDWARE.
7. HOFFMAN #A-NM6 JUNCTION BOX DRAIN SEAL.
8. NET SAFETY MOD. #MLP-A-SC1100-SEP MILLINIUM COMBUSTIBLE GAS DETECTOR, 24VDC c/w 4-20mA SIGNAL OUTPUT, SEPARATOR KIT AND CCS-1 SPLASH GUARD.
9. NET SAFETY MOD. #UVS-AR STAND ALONE UV FIRE DETECTOR, 24VDC c/w 4-20mA SIGNAL OUTPUT, RELAY OUTPUT BOARD, SWIVEL AND JB4-UV-T ASSY.
10. #2/0-#2/0 C-TAP SPLICE, INSTALLED c/w TAPE AND GLYPTOL SPRAY.
11. #2/0-#2 C-TAP SPLICE, INSTALLED c/w TAPE AND GLYPTOL SPRAY.
12. 300mm x 75mm COPPER CLUB GROUND RODS c/w:
 - GROUND WELL;
 - INSPECTION COVER;
 - GROUND ROD (#2/0).
13. GROUNDING SERVIT POST - #2/0 OR #2 AS REQUIRED.
14. BUILDING BONDING PLATE c/w #2 CRIMP-ON LUG.
15. FEDERAL SIGNAL #225x, 24V, RED ROTATING BEACON. CLASS 1, DIV 2, FOR WET LOCATIONS.

NOTES:

1. ALL WIRING TO THE SKID DEVICES SHALL BE TAKEN FROM THE RIGHTHAND SIDE OF THE TERMINALS, DIRECT WITHOUT SPLICES OF ANY KIND.
2. WIRING FOR ALL DEVICES SHALL BE TAGGED AS PER J.BOX LAYOUTS.
3. FIELD CONTRACTOR TO ENSURE ALL INCOMING/EXITING TECK CABLES ARE c/w GROUNDING BUSHINGS.
4. ALL J.BOXES ARE TO HAVE LAMICOID NAME PLATES AS PER DRAWINGS.
5. FIELD CONTRACTOR WILL BE RESPONSIBLE FOR GROUNDING AS WELL AS THE PACKING AND POURING OF ALL SEALS. THIS APPLIES WHETHER OR NOT THE SKID ARRIVES PRE-WIRED.
6. CONDUIT METHOD WILL BE RA c/w ALL FITTINGS.
7. ALL CABLES TO ENTER/EXIT THE BOTTOM OF THE J.BOXES. ALL CONDUIT TO ENTER/EXIT THE TOP OF THE J.BOXES VIA MYERS HUB.
8. THE INTERIOR OF THIS SKID IS CLASSIFIED CLASS-1 ZONE-2. THE EXTERIOR OF THIS SKID IS CLASSIFIED CLASS-1 ZONE-2 FOR THE FIRST 3 METERS.
9. INSTALLATION TO BE DONE ACCORDING TO GENERAL SPEC. INCLUDED WITH BID PACKAGE.
10. LEL DETECTORS TO BE INSTALLED USING OWNER SUPPLIED SEPARATION KITS. SEPARATION KITS TO BE MOUNTED ON WALL @ APPROXIMATELY 1500mm TO CENTER.
11. ALL VERTICAL CABLE TRAY RISERS ARE TO BE COMPLETE WITH PROPER SUPPORTS AND ALUMINUM TRAY COVER.
12. WINDOWS AND DOORS ARE NOT TO BE USED FOR VENTILATION.
13. EXHAUST FAN EF-630A IS TO BE SET AT 80°F, EXHAUST FAN EF-630B IS TO BE SET AT 90°F.



K-630 COMPRESSOR BUILDING
6706 x 7621
EAVE HEIGHT - 3964

-EQUIPMENT TO BE REMOVED-

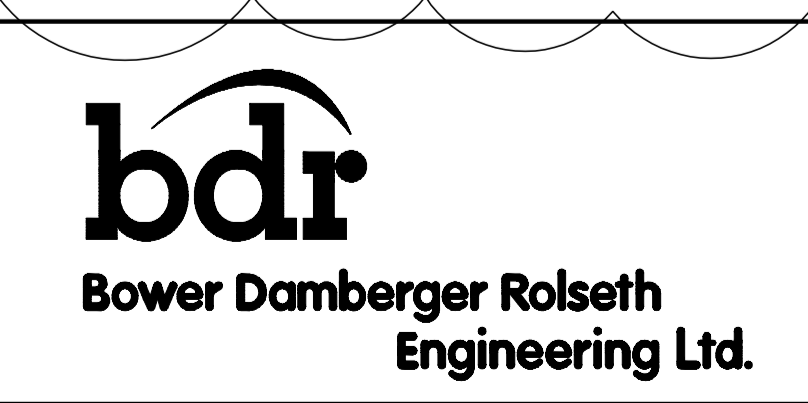
NO.	REVISION	PROJECT	DSN	DRN	CHK'D	APP'D	DATE
7	2005 EXPANSION ISSUED FOR CONSTRUCTION	43884	BGO	FC	BGO	RLB	05.10.19
6	2005 EXPANSION ISSUED FOR BID	43884	BGO	FC	BGO		05.09.26
5	2005 EXPANSION ISSUED FOR APPROVAL	43884	BGO	FC	BGO		05.09.26
4	POST CONSTRUCTION REVISIONS	43733	ATB	SM	ATB		05.02.02
3	ISSUED FOR CONSTRUCTION	43733	ATB	FC	ATB	WDS	04.11.01
2	ISSUED FOR FIELD BID	43733	ATB	FC	ATB		04.10.15
1	ISSUED FOR SKID CONSTRUCTION	43733	ATB	FC	ATB		04.10.15
0	ISSUED FOR APPROVAL	43733	ATB	PC	ATB		04.10.12

PERMIT STAMP:	STAMP APPLIED TO REV. 3 ONLY

GENERAL NOTES:

1. "POST CONSTRUCTION DRAWINGS" ARE GENERATED FROM CONSTRUCTION CHANGE INFORMATION FORWARDED TO BOWER DAMBERGER ROLSETH ENGINEERING LTD. BY THE OWNER'S FIELD SUPERVISORS AND/OR FIELD CONTRACTORS. ANY CHANGES NOT DOCUMENTED WILL NOT APPEAR ON THE DRAWINGS AND THEREFORE THE DRAWING MAY NOT BE AN ACCURATE REPRESENTATION OF THE CONSTRUCTED FACILITY.
2. PRIOR TO THE COMMENCEMENT OF ANY CONSTRUCTION AND/OR EXCAVATION IT SHALL BE THE RESPONSIBILITY OF THE OWNER'S REPRESENTATIVE TO VERIFY THE LOCATION AND STATUS OF ANY PIPING, ELECTRICAL, EQUIPMENT OR BUILDINGS.
3. ANY REVISIONS MADE TO EXISTING EQUIPMENT, PIPING OR ELECTRICAL ON A FACILITY NOT DESIGNED BY B.D.R. ENG. LTD. IS ONLY SHOWN AS A REPRESENTATION OF WHAT EXISTS AND MUST BE VERIFIED BY THE OWNER.

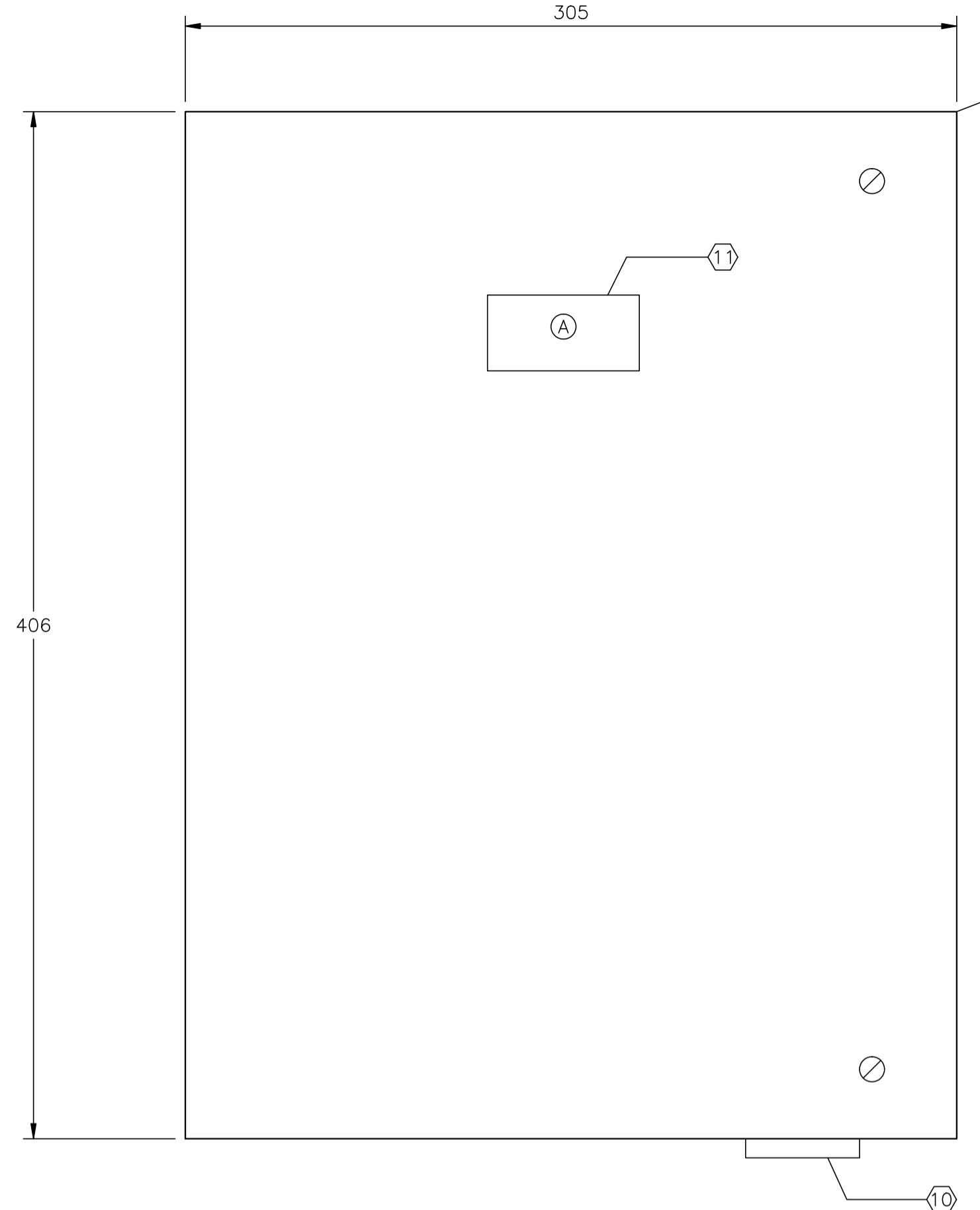
BY	DATE
DESIGN	ATB 04.10.04
DRAWN	FC 04.10.04
CHK'D	
APP'D	
L.S.D.	15-10-62-06 W5M



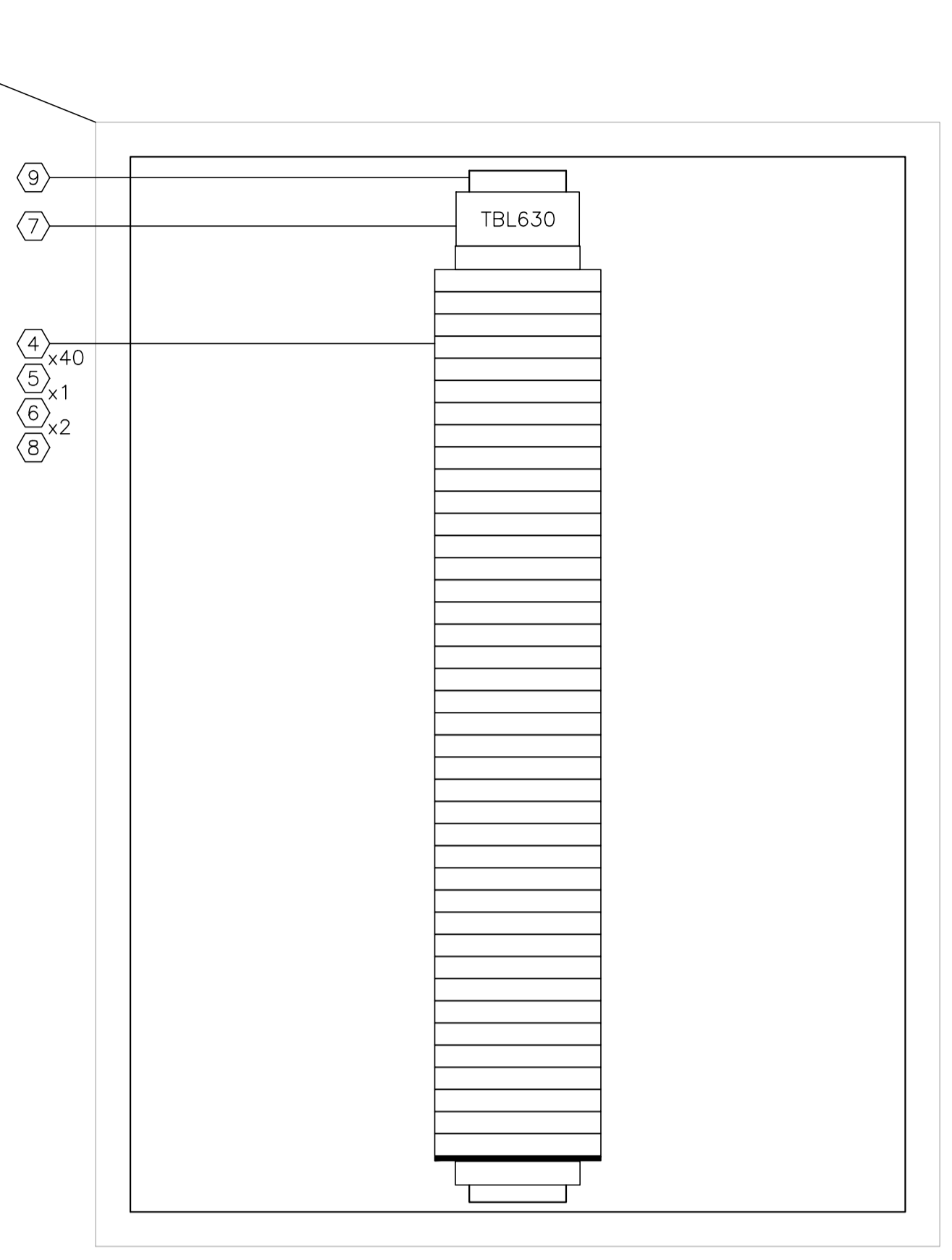
FORT ENERGY CORPORATION		
CORBETT GAS PLANT		
K-630 COMPRESSOR BUILDING		
ELECTRICAL LAYOUT		
SCALE	DRAWING NUMBER	REV
1 : 20	D-23212-E-15-001	7

CUSTOM ENCLOSURE BILL OF MATERIALS

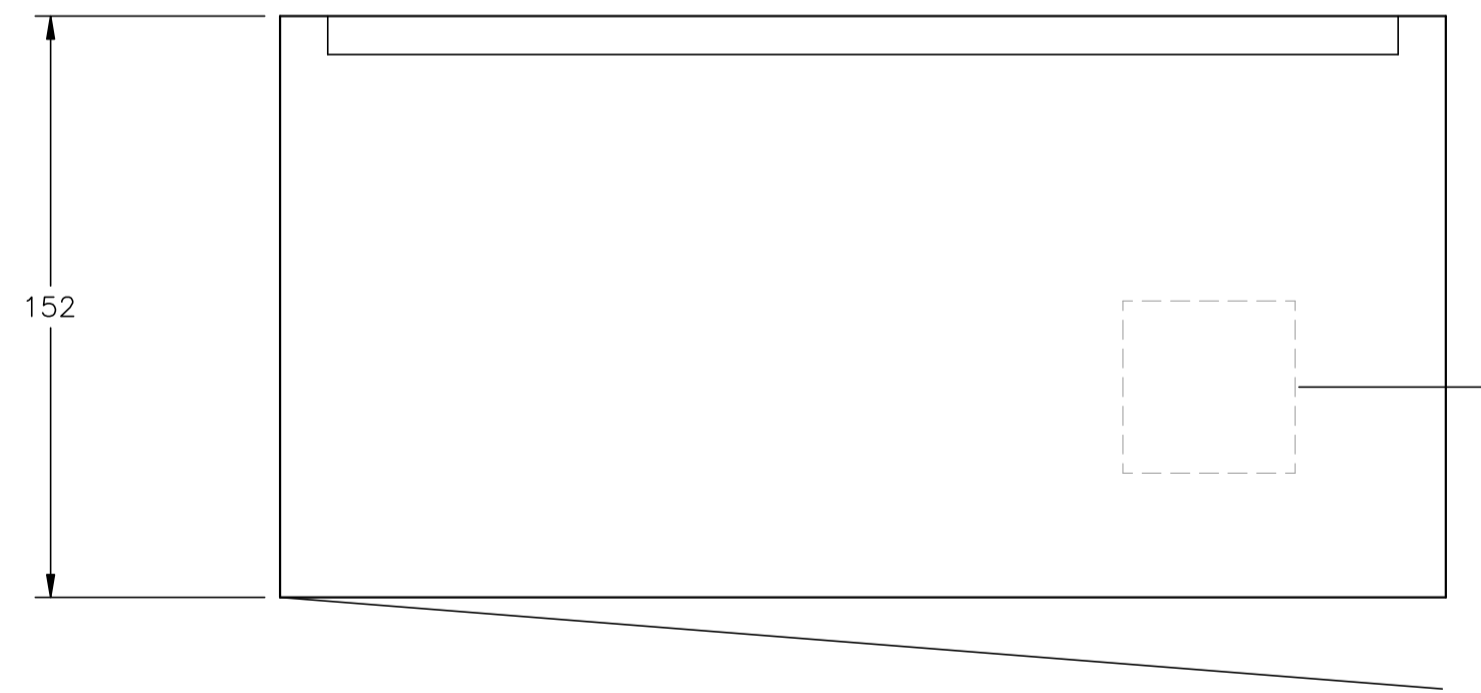
ITEM	QTY	DESCRIPTION
1	1	CUSTOM STEEL NEMA 4, WEATHERPROOF RATED ENCLOSURE; - 406mmH x 305mmW x 152mmD (EXTERIOR DIMENSIONS); - FULL HEIGHT DOOR c/w CSD TYPE CLOSURES; - HEAVY DUTY HINGE; - c/w (1) BACKPAN.
2	-	WEIDMULLER WDU-2.5 TERMINALS c/w ACCESSORIES.
3	-	WEIDMULLER WDU-4 TERMINALS c/w ACCESSORIES.
4	40	WEIDMULLER WDU-6 TERMINALS c/w ACCESSORIES.
5	1	WEIDMULLER WAP-2.5/4/6/10 END PLATE.
6	2	WEIDMULLER EW-35 END BRACKET.
7	1	WEIDMULLER SHT-5 GROUP TAG HOLDER.
8	AS REQ'D	DEKAFIX MARKING TAG (#1-#40).
9	AS REQ'D	WEIDMULLER TS35 MOUNTING RAIL.
10	1	HOFFMAN #A-NMV6 DRAIN SEAL.
11	1	25mm x 75mm LAMICOID.



FRONT PANEL VIEW



BACK PANEL VIEW



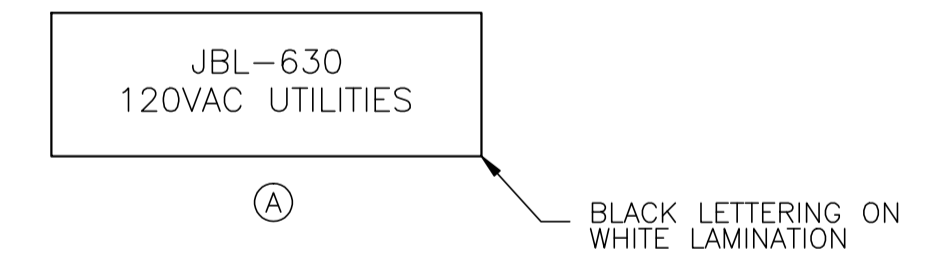
TOP VIEW

K-630 PROCESS COMPRESSOR BUILDING
JBL-630 - 120VAC UTILITIES
(SEE DWG. E-15-012 FOR WIRING DETAILS)

CONSTRUCTION - LAYOUT NOTE:

- BACKPAN SIZE TO BE DETERMINED BY PANEL MANUFACTURER BASED ON SPACE UTILIZATION WITH THE SHOWN LAYOUT.
- | | |
|--------------------------|----------------------------|
| <input type="checkbox"/> | AC PANDUIT |
| <input type="checkbox"/> | DC PANDUIT |
| <input type="checkbox"/> | INTRINSICALLY SAFE PANDUIT |
- PANEL OUTER DIMENSIONS TO BE AS SHOWN ±6mm ANY DEVIATION TO BE APPROVED BY OWNER.
- LAYOUT SHOWN FOR REFERENCE ONLY; ACTUAL EQUIPMENT DIMENSIONS SHALL GOVERN.

LAMICOID/ENGRAVING DETAIL



-EQUIPMENT TO BE REMOVED-

NO.	REVISION	PROJECT	DSN	DRN	CHK'D	APP'D	DATE
7	2005 EXPANSION ISSUED FOR CONSTRUCTION	43884	BGO	FC	BGO	RLB	05.10.19
6	2005 EXPANSION ISSUED FOR BID	43884	BGO	FC	BGO		05.09.26
5	2005 EXPANSION ISSUED FOR APPROVAL	43884	BGO	FC	BGO		05.09.26
4	POST CONSTRUCTION REVISIONS	43733	ATB	SM	ATB		05.02.02
3	ISSUED FOR CONSTRUCTION	43733	ATB	FC	ATB	WDS	04.11.01
2	ISSUED FOR FIELD BID	43733	ATB	FC	ATB		04.10.15
1	ISSUED FOR SKID CONSTRUCTION	43733	ATB	FC	ATB		04.10.15
0	ISSUED FOR APPROVAL	43733	ATB	FC	ATB		04.10.12

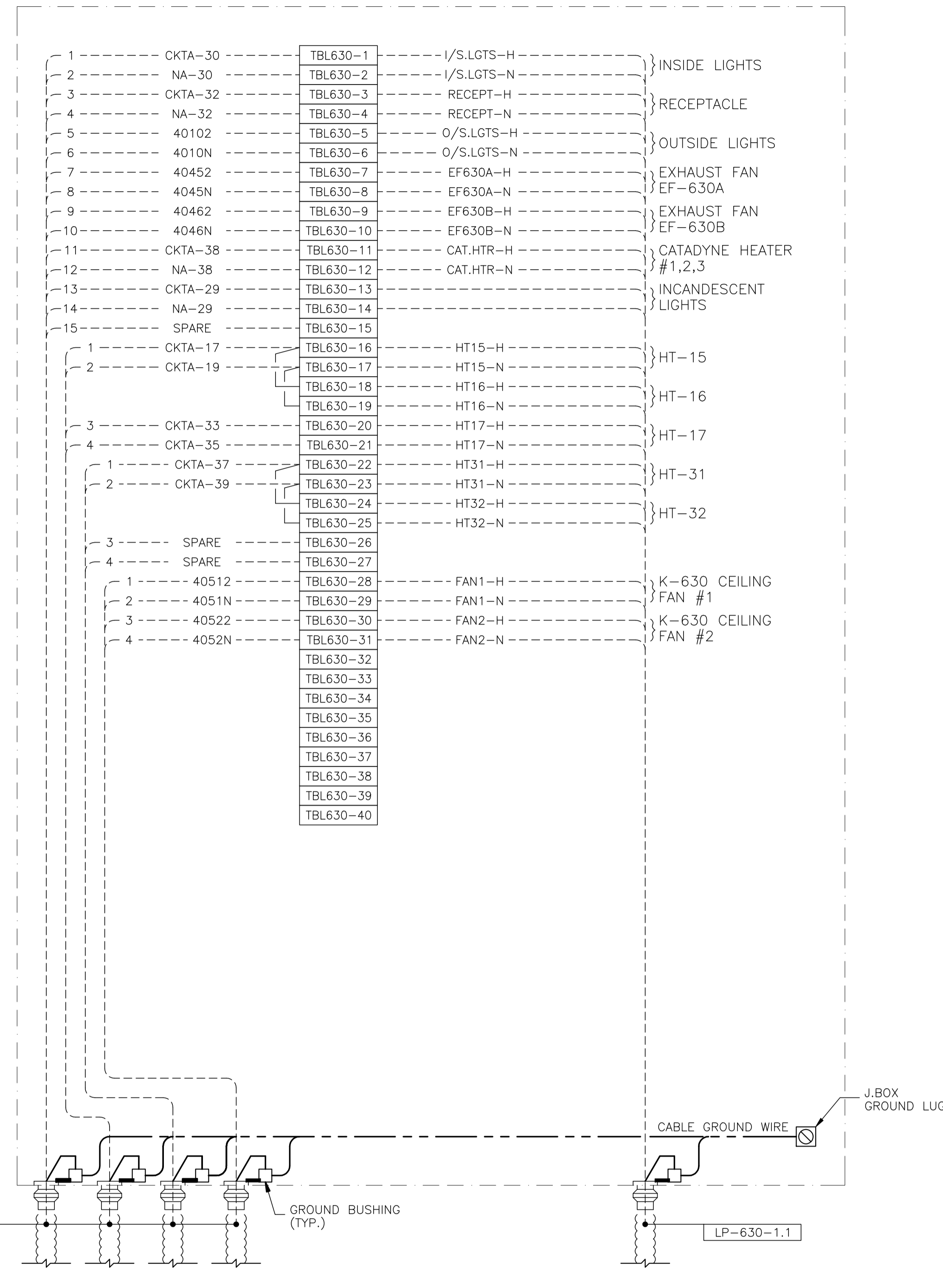
PERMIT STAMP:	STAMP APPLIED TO REV. 3 ONLY

GENERAL NOTES:
1. "POST CONSTRUCTION DRAWINGS" ARE GENERATED FROM CONSTRUCTION CHANGE INFORMATION FORWARDED TO BOWER DAMBERGER ROLSETH ENGINEERING LTD. BY THE OWNER'S FIELD SUPERVISORS AND/OR BIDDING CONTRACTORS. ANY CHANGES NOT DOCUMENTED WILL NOT APPEAR ON THE DRAWINGS AND THEREFORE THE DRAWING MAY NOT BE AN ACCURATE REPRESENTATION OF THE CONSTRUCTED FACILITY.
2. PRIOR TO THE COMMENCEMENT OF ANY CONSTRUCTION AND/OR EXCAVATION IT SHALL BE THE RESPONSIBILITY OF THE OWNER'S REPRESENTATIVE TO VERIFY THE LOCATION AND STATUS OF ANY PIPING, ELECTRICAL, EQUIPMENT OR BUILDINGS.
3. ANY REVISIONS MADE TO EXISTING EQUIPMENT, PIPING OR ELECTRICAL ON A FACILITY NOT DESIGNED BY B.D.R. ENG. LTD. IS ONLY SHOWN AS A REPRESENTATION OF WHAT EXISTS AND MUST BE VERIFIED BY THE OWNER.

DESIGN	BY	DATE
DRAWN	ATB	04.09.30
CHK'D	FC	04.09.30
APP'D		
L.S.D.	15-10-62-06	W5M

Bower Damberger Rolseth Engineering Ltd.

FORT ENERGY CORPORATION		
CORBETT GAS PLANT K-630 COMPRESSOR BUILDING J.BOX JBL-630 LAYOUT		
SCALE	DRAWING NUMBER	REV
1 : 2	D-23212-E-15-011	7



JBL-630 - 120VAC UTILITIES

-EQUIPMENT TO BE REMOVED-

NO.	REVISION	PROJECT	DSN	DRN	CHK'D	APP'D	DATE
7	2005 EXPANSION ISSUED FOR CONSTRUCTION	43884	BGO	FC	BGO	RLB	05.10.19
6	2005 EXPANSION ISSUED FOR BID	43884	BGO	FC	BGO		05.09.26
5	2005 EXPANSION ISSUED FOR APPROVAL	43884	BGO	FC	BGO		05.09.26
4	POST CONSTRUCTION REVISIONS	43733	ATB	SM	ATB		05.02.02
3	ISSUED FOR CONSTRUCTION	43733	ATB	FC	ATB	WDS	04.11.01
2	ISSUED FOR FIELD BID	43733	ATB	FC	ATB		04.10.15
1	ISSUED FOR SKID CONSTRUCTION	43733	ATB	FC	ATB		04.10.15
0	ISSUED FOR APPROVAL	43733	ATB	FC	ATB		04.10.12

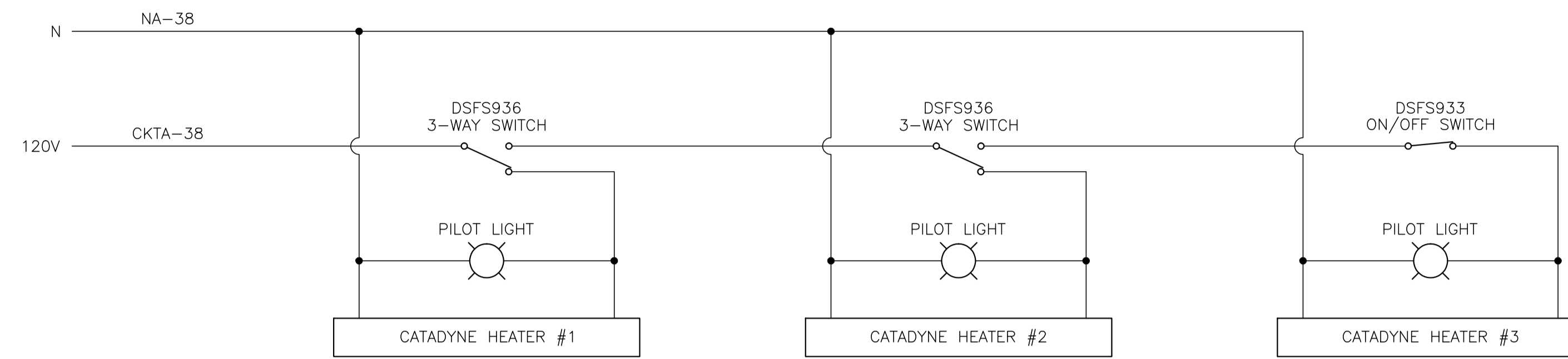
PERMIT STAMP:	STAMP APPLIED TO REV. 3 ONLY
---------------	------------------------------

GENERAL NOTES:
 1. "POST CONSTRUCTION DRAWINGS" ARE GENERATED FROM CONSTRUCTION CHANGE INFORMATION FORWARDED TO BOWER DAMBERGER ROLSETH ENGINEERING LTD. BY THE OWNER'S FIELD SUPERVISORS AND/OR BIDDING CONTRACTORS. ANY CHANGES NOT DOCUMENTED WILL NOT APPEAR ON THE DRAWINGS AND THEREFORE THE DRAWING MAY NOT BE AN ACCURATE REPRESENTATION OF THE CONSTRUCTED FACILITY.
 2. PRIOR TO THE COMMENCEMENT OF ANY CONSTRUCTION AND/OR EXCAVATION IT SHALL BE THE RESPONSIBILITY OF THE OWNER'S REPRESENTATIVE TO VERIFY THE LOCATION AND STATUS OF ANY PIPING, ELECTRICAL EQUIPMENT OR BUILDINGS.
 3. ANY REVISIONS MADE TO EXISTING EQUIPMENT, PIPING OR ELECTRICAL ON A FACILITY NOT DESIGNED BY B.D.R. ENG. LTD. IS ONLY SHOWN AS A REPRESENTATION OF WHAT EXISTS AND MUST BE VERIFIED BY THE OWNER.

	BY	DATE
DESIGN	ATB	04.09.30
DRAWN	FC	04.09.30
CHK'D		
APP'D		
L.S.D.	15-10-62-06	WSM

bdr
 Bower Damberger Rolseth
 Engineering Ltd.

FORT ENERGY CORPORATION		
CORBETT GAS PLANT K-630 COMPRESSOR BUILDING J.BOX JBL-630 WIRING DETAIL		
SCALE	DRAWING NUMBER	REV
N/A	D-23212-E-15-012	7



CATADYNE HEATERS INSTALLATION DETAILS

-EQUIPMENT TO BE REMOVED-

NO.	REVISION	PROJECT	DSN	DRN	CHK'D	APP'D	DATE
7	2005 EXPANSION ISSUED FOR CONSTRUCTION	43884	BGO	FC	BGO	RLB	05.10.19
6	2005 EXPANSION ISSUED FOR BID	43884	BGO	FC	BGO		05.09.26
5	2005 EXPANSION ISSUED FOR APPROVAL	43884	BGO	FC	BGO		05.09.26
4	POST CONSTRUCTION REVISIONS	43733	ATB	SM	ATB		05.02.02
3	ISSUED FOR CONSTRUCTION	43733	ATB	FC	ATB	WDS	04.11.01
2	ISSUED FOR FIELD BID	43733	ATB	FC	ATB		04.10.15
1	ISSUED FOR SKID CONSTRUCTION	43733	ATB	FC	ATB		04.10.15
0	ISSUED FOR APPROVAL	43733	ATB	FC	ATB		04.10.12

PERMIT STAMP:

STAMP APPLIED TO REV. 3 ONLY

GENERAL NOTES:

- "POST CONSTRUCTION DRAWINGS" ARE GENERATED FROM CONSTRUCTION CHANGE INFORMATION FORWARDED TO BOWER DAMBERGER ROLSETH ENGINEERING LTD. BY THE OWNER'S FIELD SUPERVISORS AND/OR FIELD CONTRACTORS. ANY CHANGES NOT DOCUMENTED WILL NOT APPEAR ON THE DRAWINGS AND THEREFORE THE DRAWING MAY NOT BE AN ACCURATE REPRESENTATION OF THE CONSTRUCTED FACILITY.
- PRIOR TO THE COMMENCEMENT OF ANY CONSTRUCTION AND/OR EXCAVATION IT SHALL BE THE RESPONSIBILITY OF THE OWNER'S REPRESENTATIVE TO VERIFY THE LOCATION AND STATUS OF ANY PIPING, ELECTRICAL EQUIPMENT OR BUILDINGS.
- ANY REVISIONS MADE TO EXISTING EQUIPMENT, PIPING OR ELECTRICAL ON A FACILITY NOT DESIGNED BY B.D.R. ENG. LTD. IS ONLY SHOWN AS A REPRESENTATION OF WHAT EXISTS AND MUST BE VERIFIED BY THE OWNER.

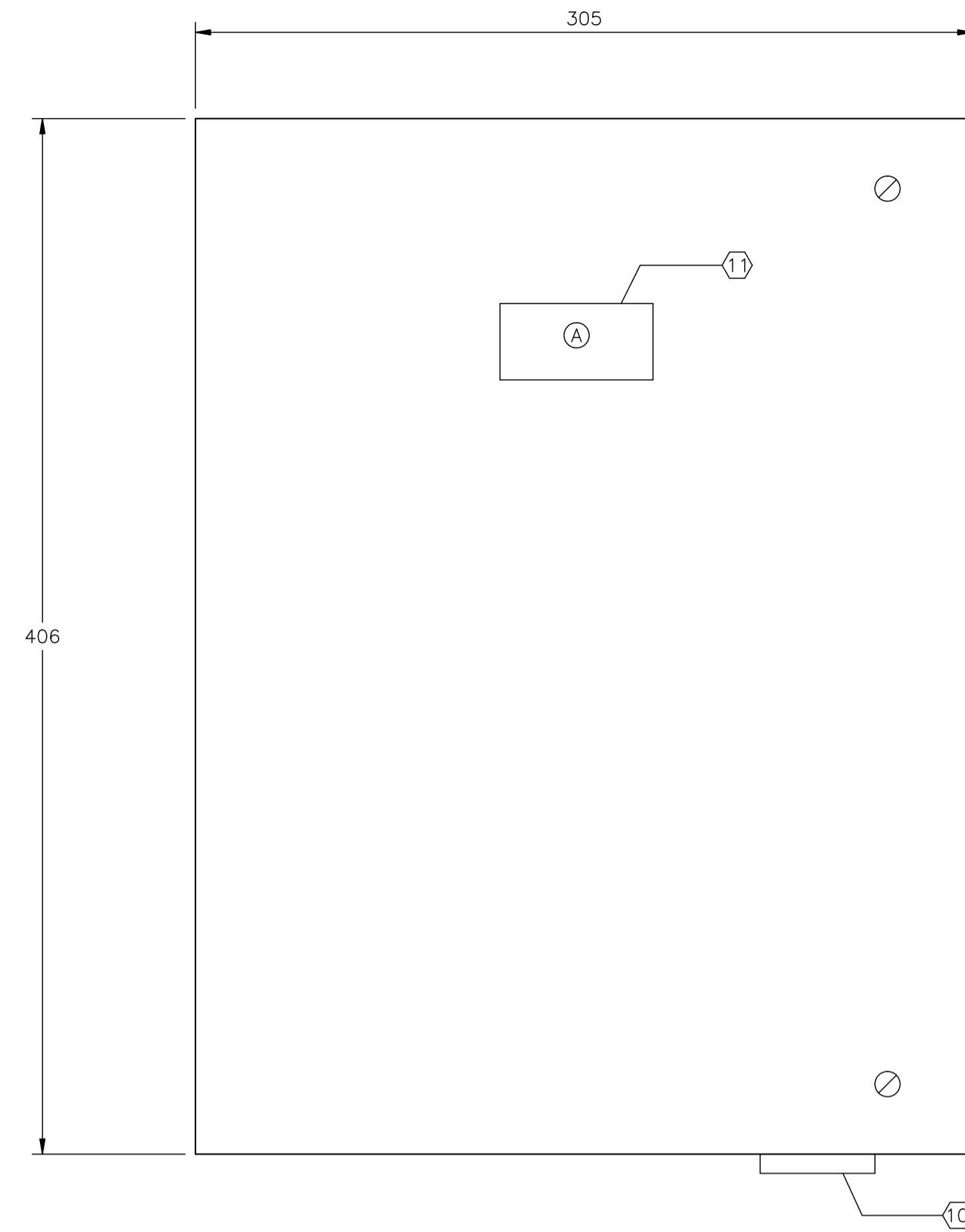
	BY	DATE
DESIGN	ATB	04.09.30
DRAWN	FC	04.09.30
CHK'D		
APP'D		
L.S.D.	15-10-62-06	W5M

Bower Damberger Rolseth Engineering Ltd.

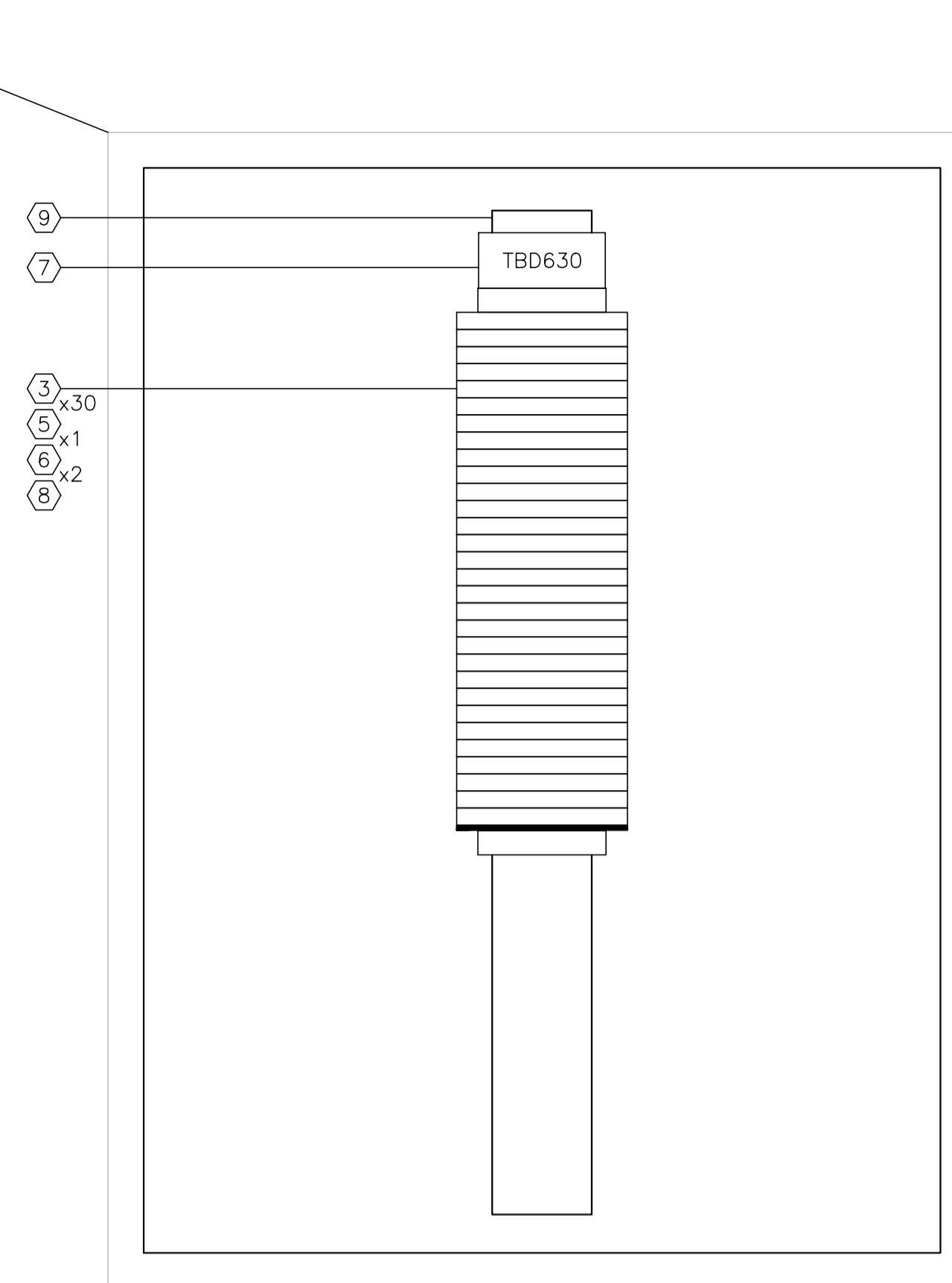
FORT ENERGY CORPORATION		
CORBETT GAS PLANT K-630 COMPRESSOR BUILDING 120VAC WIRING DETAIL		
SCALE	DRAWING NUMBER	REV
N/A	D-23212-E-15-013	7

CUSTOM ENCLOSURE BILL OF MATERIALS

ITEM	QTY	DESCRIPTION
1	1	CUSTOM STEEL NEMA 4, WEATHERPROOF RATED ENCLOSURE; - 406mmH x 305mmW x 152mmD (EXTERIOR DIMENSIONS); - FULL HEIGHT DOOR c/w CSD TYPE CLOSURES; - HEAVY DUTY HINGE; - c/w (1) BACKPAN.
2	-	WEIDMULLER WDU-2.5 TERMINALS c/w ACCESSORIES.
3	30	WEIDMULLER WDU-4 TERMINALS c/w ACCESSORIES.
4	-	WEIDMULLER WDU-6 TERMINALS c/w ACCESSORIES.
5	1	WEIDMULLER WAP-2.5/4/6/10 END PLATE.
6	2	WEIDMULLER EW-35 END BRACKET.
7	1	WEIDMULLER SHT-5 GROUP TAG HOLDER.
8	AS REQ'D	DEKAFIX MARKING TAG (#1-#30).
9	AS REQ'D	WEIDMULLER TS35 MOUNTING RAIL.
10	1	HOFFMAN #A-NMV6 DRAIN SEAL.
11	1	25mm x 75mm LAMICOID.



FRONT PANEL VIEW

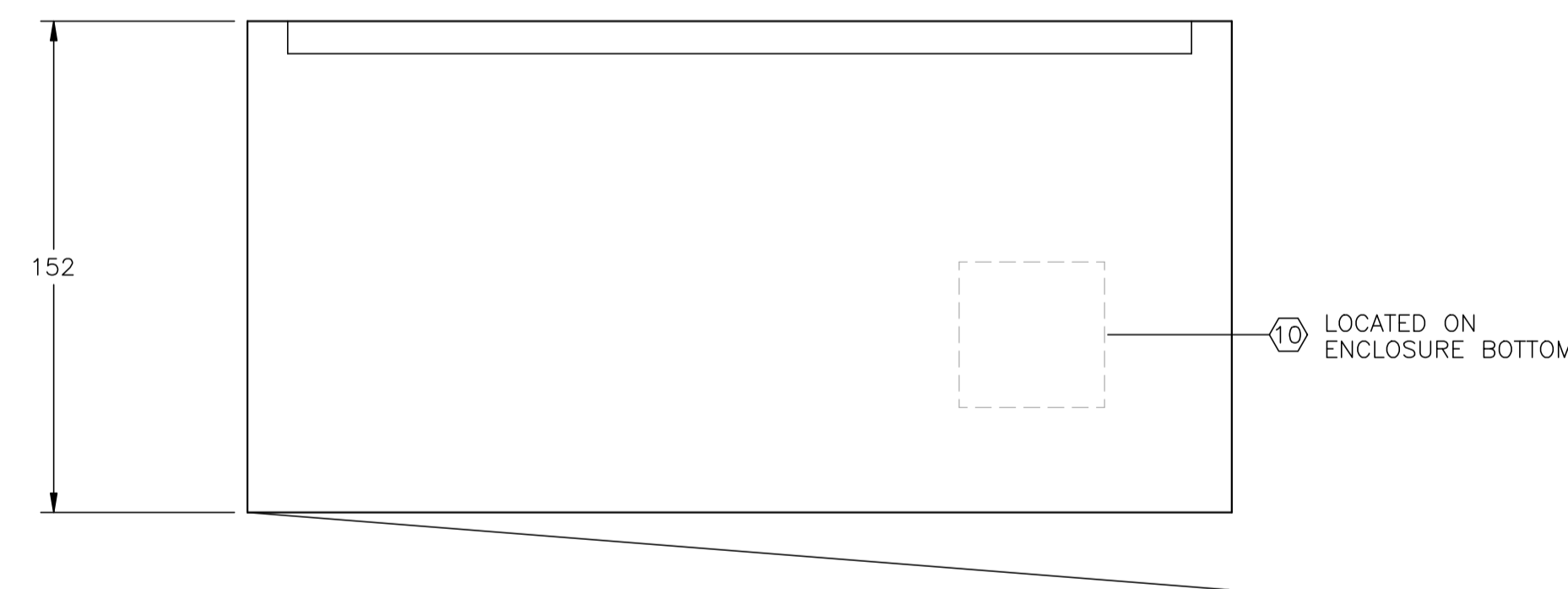
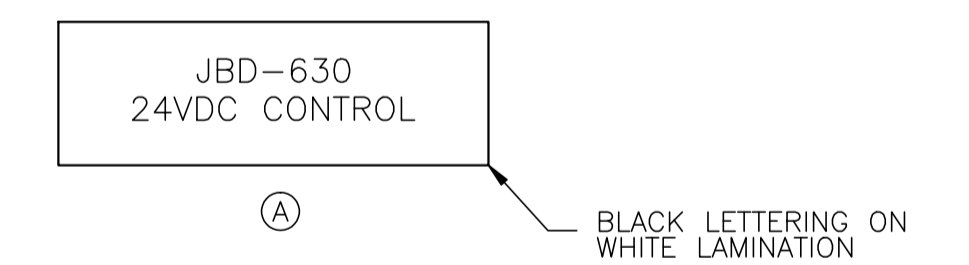


BACK PANEL VIEW

CONSTRUCTION - LAYOUT NOTE:

- BACKPAN SIZE TO BE DETERMINED BY PANEL MANUFACTURER BASED ON SPACE UTILIZATION WITH THE SHOWN LAYOUT.
- | | |
|--------------------------|----------------------------|
| <input type="checkbox"/> | AC PANDUIT |
| <input type="checkbox"/> | DC PANDUIT |
| <input type="checkbox"/> | INTRINSICALLY SAFE PANDUIT |
- PANEL OUTER DIMENSIONS TO BE AS SHOWN ±6mm ANY DEVIATION TO BE APPROVED BY OWNER.
- LAYOUT SHOWN FOR REFERENCE ONLY; ACTUAL EQUIPMENT DIMENSIONS SHALL GOVERN.

LAMICOID/ENGRAVING DETAIL



TOP VIEW

K-630 PROCESS COMPRESSOR BUILDING
JBD-630 - 24VDC CONTROL
(SEE DWG. E-15-015 FOR WIRING DETAILS)

-EQUIPMENT TO BE REMOVED-

NO.	REVISION	PROJECT	DSN	DRN	CHK'D	APP'D	DATE
7	2005 EXPANSION ISSUED FOR CONSTRUCTION	43884	BGO	FC	BGO	RLB	05.10.19
6	2005 EXPANSION ISSUED FOR BID	43884	BGO	FC	BGO		05.09.26
5	2005 EXPANSION ISSUED FOR APPROVAL	43884	BGO	FC	BGO		05.09.26
4	POST CONSTRUCTION REVISIONS	43733	ATB	SM	ATB		05.02.02
3	ISSUED FOR CONSTRUCTION	43733	ATB	FC	ATB	WDS	04.11.01
2	ISSUED FOR FIELD BID	43733	ATB	FC	ATB		04.10.15
1	ISSUED FOR SKID CONSTRUCTION	43733	ATB	FC	ATB		04.10.15
0	ISSUED FOR APPROVAL	43733	ATB	FC	ATB		04.10.12

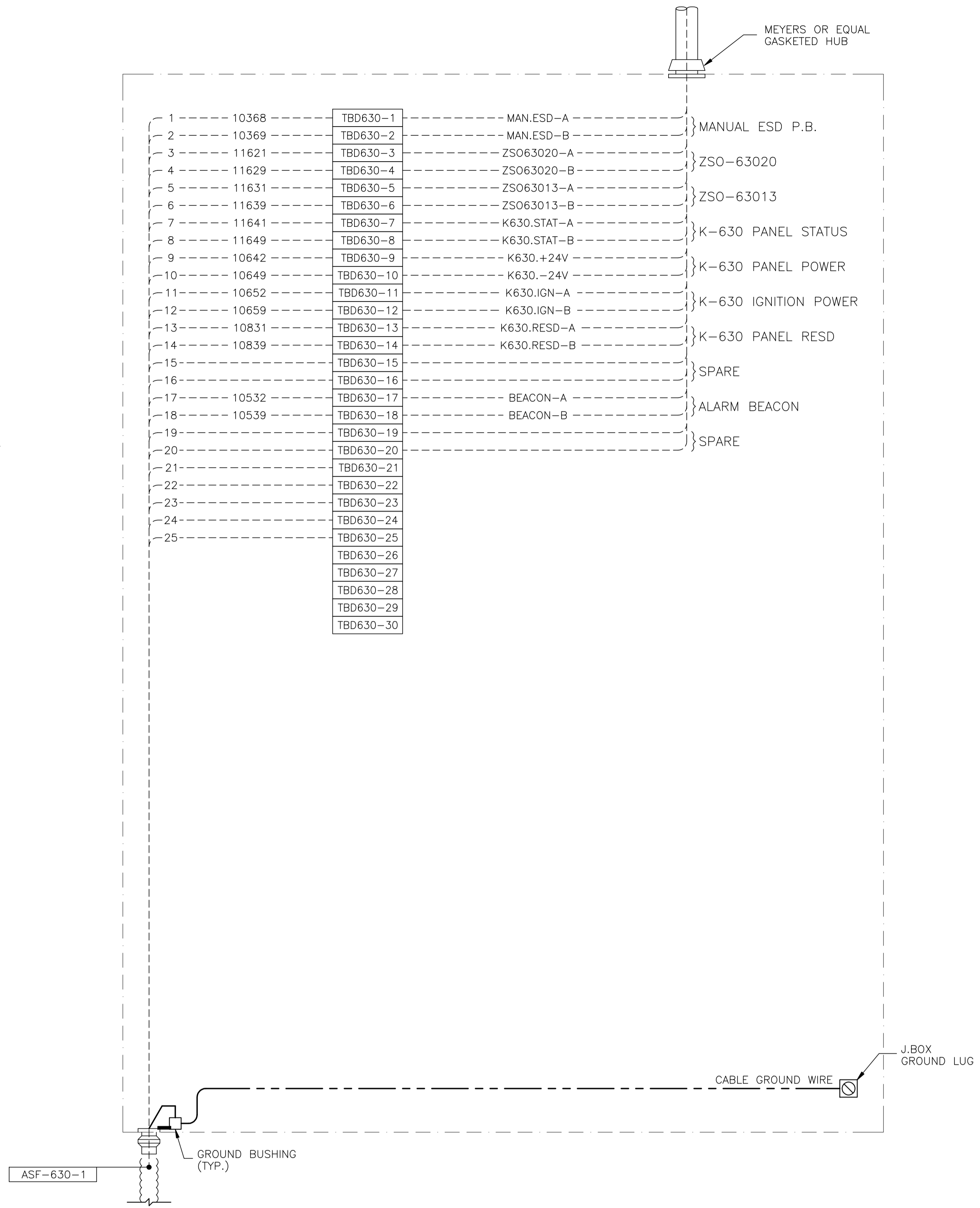
PERMIT STAMP:	STAMP APPLIED TO REV. 3 ONLY

DESIGN	BY	DATE
DRAWN	ATB	04.09.30
CHK'D	FC	04.09.30
APP'D		
L.S.D.	15-10-62-06	WSM

GENERAL NOTES:
1. "POST CONSTRUCTION DRAWINGS" ARE GENERATED FROM CONSTRUCTION CHANGE INFORMATION FORWARDED TO BOWER DAMBERGER ROLSETH ENGINEERING LTD. BY THE OWNER'S FIELD SUPERVISORS AND/OR BIDDING CONTRACTORS. ANY CHANGES NOT DOCUMENTED WILL NOT APPEAR ON THE DRAWINGS AND THEREFORE THE DRAWING MAY NOT BE AN ACCURATE REPRESENTATION OF THE CONSTRUCTED FACILITY.
2. PRIOR TO THE COMMENCEMENT OF ANY CONSTRUCTION AND/OR EXCAVATION IT SHALL BE THE RESPONSIBILITY OF THE OWNER'S REPRESENTATIVE TO VERIFY THE LOCATION AND STATUS OF ANY PIPING, ELECTRICAL, EQUIPMENT OR BUILDINGS.
3. ANY REVISIONS MADE TO EXISTING EQUIPMENT, PIPING OR ELECTRICAL ON A FACILITY NOT DESIGNED BY B.D.R. ENG. LTD. IS ONLY SHOWN AS A REPRESENTATION OF WHAT EXISTS AND MUST BE VERIFIED BY THE OWNER.

DESIGN	BY	DATE
DRAWN	ATB	04.09.30
CHK'D	FC	04.09.30
APP'D		
L.S.D.	15-10-62-06	WSM

FORT ENERGY CORPORATION		
CORBETT GAS PLANT K-630 COMPRESSOR BUILDING J.BOX JBD-630 LAYOUT		
SCALE	DRAWING NUMBER	REV
1 : 2	D-23212-E-15-014	7



JBD-630 - 24VDC CONTROL

-EQUIPMENT TO BE REMOVED-

NO.	REVISION	PROJECT	DSN	DRN	CHK'D	APP'D	DATE
7	2005 EXPANSION ISSUED FOR CONSTRUCTION	43884	BGO	FC	BGO	RLB	05.10.19
6	2005 EXPANSION ISSUED FOR BID	43884	BGO	FC	BGO		05.09.26
5	2005 EXPANSION ISSUED FOR APPROVAL	43884	BGO	FC	BGO		05.09.26
4	POST CONSTRUCTION REVISIONS	43733	ATB	SM	ATB		05.02.02
3	ISSUED FOR CONSTRUCTION	43733	ATB	FC	ATB	WDS	04.11.01
2	ISSUED FOR FIELD BID	43733	ATB	FC	ATB		04.10.15
1	ISSUED FOR SKID CONSTRUCTION	43733	ATB	FC	ATB		04.10.15
0	ISSUED FOR APPROVAL	43733	ATB	FC	ATB		04.10.12

PERMIT STAMP:

STAMP APPLIED TO REV. 3 ONLY

GENERAL NOTES:
1. "POST CONSTRUCTION DRAWINGS" ARE GENERATED FROM CONSTRUCTION CHANGE INFORMATION FORWARDED TO BOWER DAMBERGER ROLSETH ENGINEERING LTD. BY THE OWNER'S FIELD SUPERVISORS AND OR BIDDING CONTRACTORS. ANY CHANGES NOT DOCUMENTED WILL NOT APPEAR ON THE DRAWINGS AND THEREFORE THE DRAWING MAY NOT BE AN ACCURATE REPRESENTATION OF THE CONSTRUCTED FACILITY.
2. PRIOR TO THE COMMENCEMENT OF ANY CONSTRUCTION AND OR EXCAVATION IT SHALL BE THE RESPONSIBILITY OF THE OWNER'S REPRESENTATIVE TO VERIFY THE LOCATION AND STATUS OF ANY PIPING, ELECTRICAL, EQUIPMENT OR BUILDINGS.
3. ANY REVISIONS MADE TO EXISTING EQUIPMENT, PIPING OR ELECTRICAL ON A FACILITY NOT DESIGNED BY B.D.R. ENG. LTD. IS ONLY SHOWN AS A REPRESENTATION OF WHAT EXISTS AND MUST BE VERIFIED BY THE OWNER.

DESIGN	BY	DATE
DRAWN	ATB	04.09.30
CHK'D	FC	04.09.30
APP'D		
L.S.D.	15-10-62-06	W5M

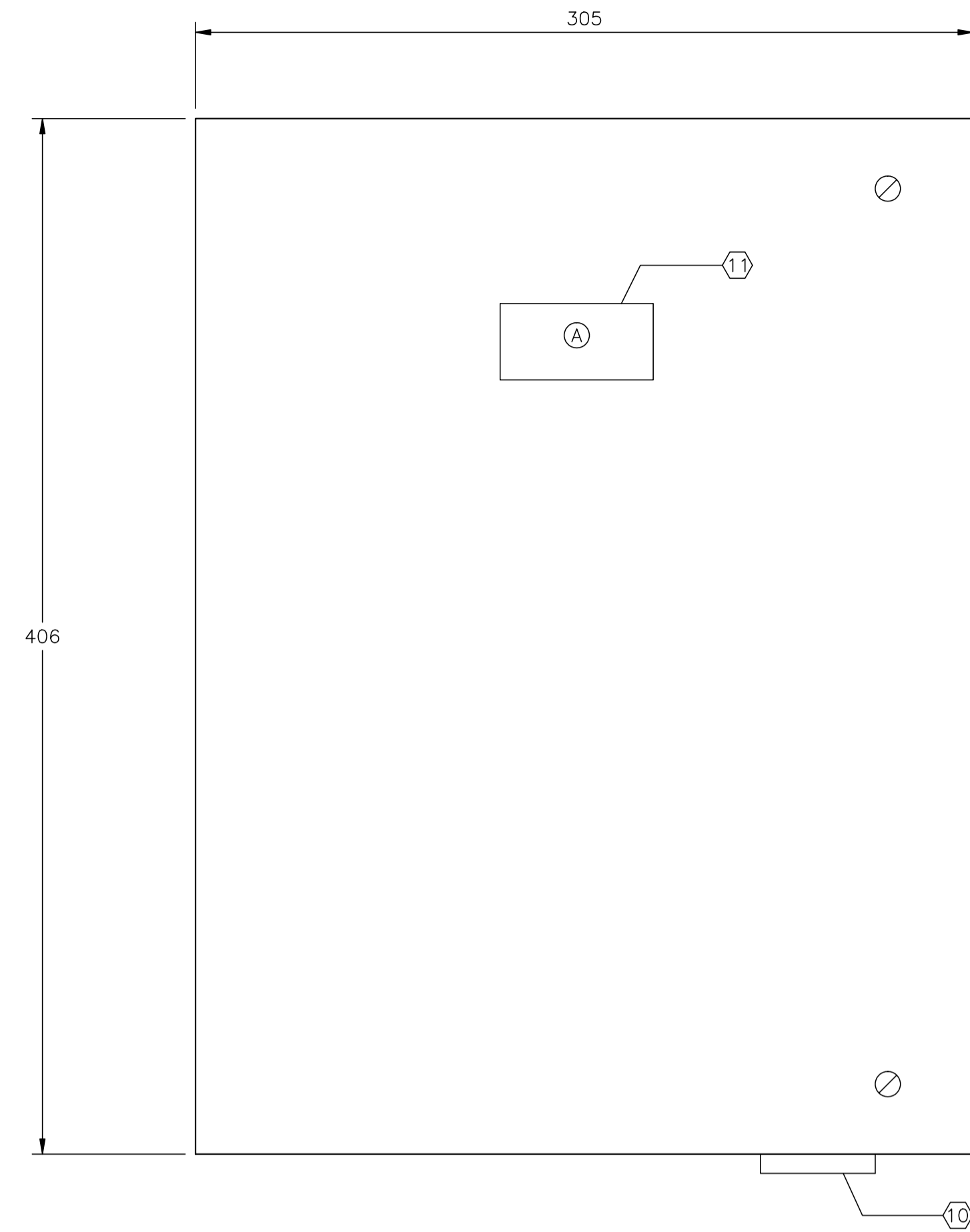
BY	DATE
ATB	04.09.30
FC	04.09.30

bdr
Bower Damberger Rolseth
Engineering Ltd.

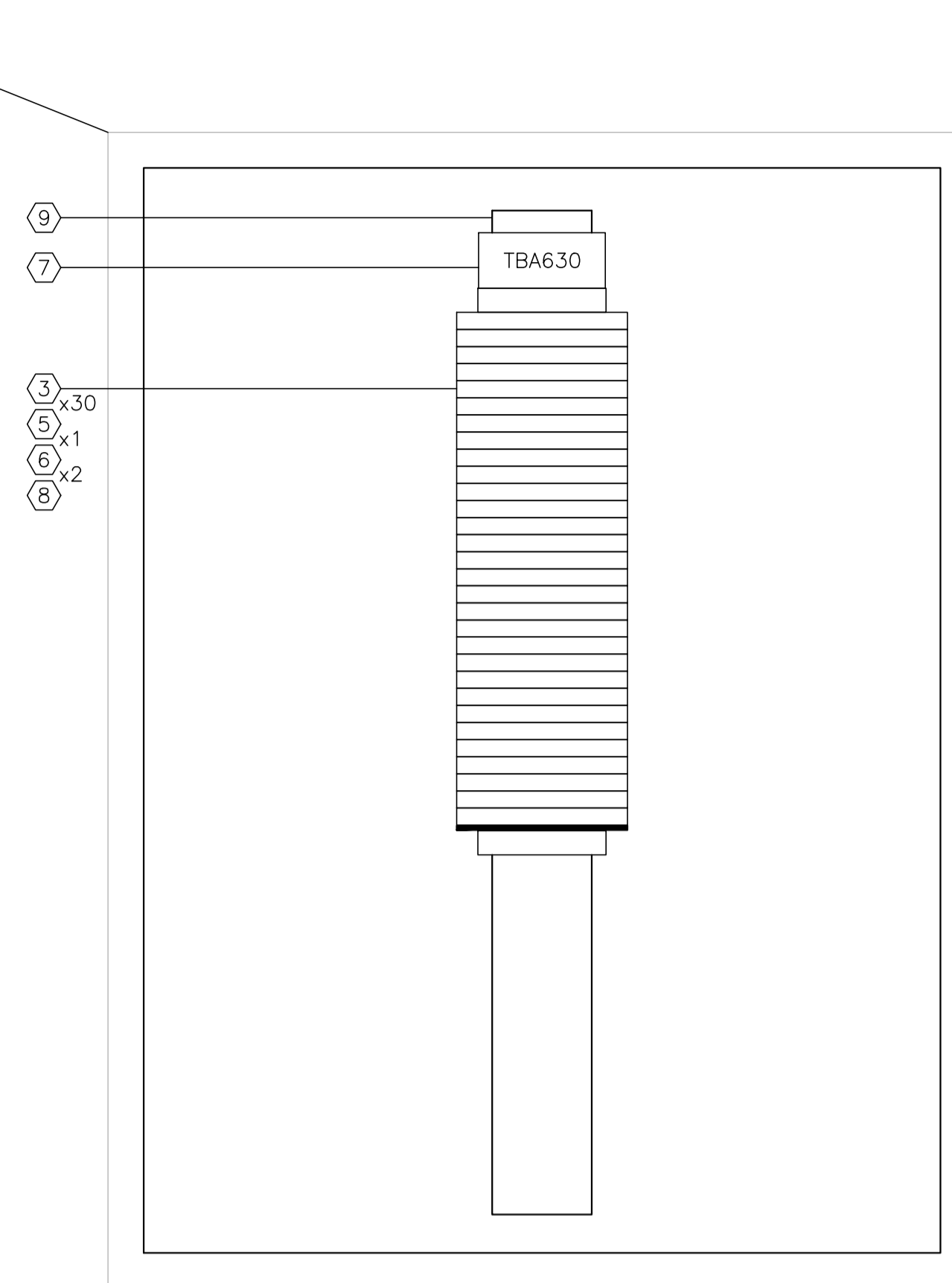
FORT ENERGY CORPORATION		
CORBETT GAS PLANT K-630 COMPRESSOR BUILDING J.BOX JBD-630 WIRING DETAIL		
SCALE	DRAWING NUMBER	REV
N/A	D-23212-E-15-015	7

CUSTOM ENCLOSURE BILL OF MATERIALS

ITEM	QTY	DESCRIPTION
1	1	CUSTOM STEEL NEMA 4, WEATHERPROOF RATED ENCLOSURE; - 406mmH x 305mmW x 152mmD (EXTERIOR DIMENSIONS); - FULL HEIGHT DOOR c/w CSD TYPE CLOSURES; - HEAVY DUTY HINGE; - c/w (1) BACKPAN.
2	-	WEIDMULLER WDU-2.5 TERMINALS c/w ACCESSORIES.
3	30	WEIDMULLER WDU-4 TERMINALS c/w ACCESSORIES.
4	-	WEIDMULLER WDU-6 TERMINALS c/w ACCESSORIES.
5	1	WEIDMULLER WAP-2.5/4/6/10 END PLATE.
6	2	WEIDMULLER EW-35 END BRACKET.
7	1	WEIDMULLER SCHK-5 GROUP TAG HOLDER.
8	AS REQ'D	DEKAFIX MARKING TAG (#1-#30).
9	AS REQ'D	WEIDMULLER TS35 MOUNTING RAIL.
10	1	HOFFMAN #A-NMV6 DRAIN SEAL.
11	1	25mm x 75mm LAMICOID.



FRONT PANEL VIEW

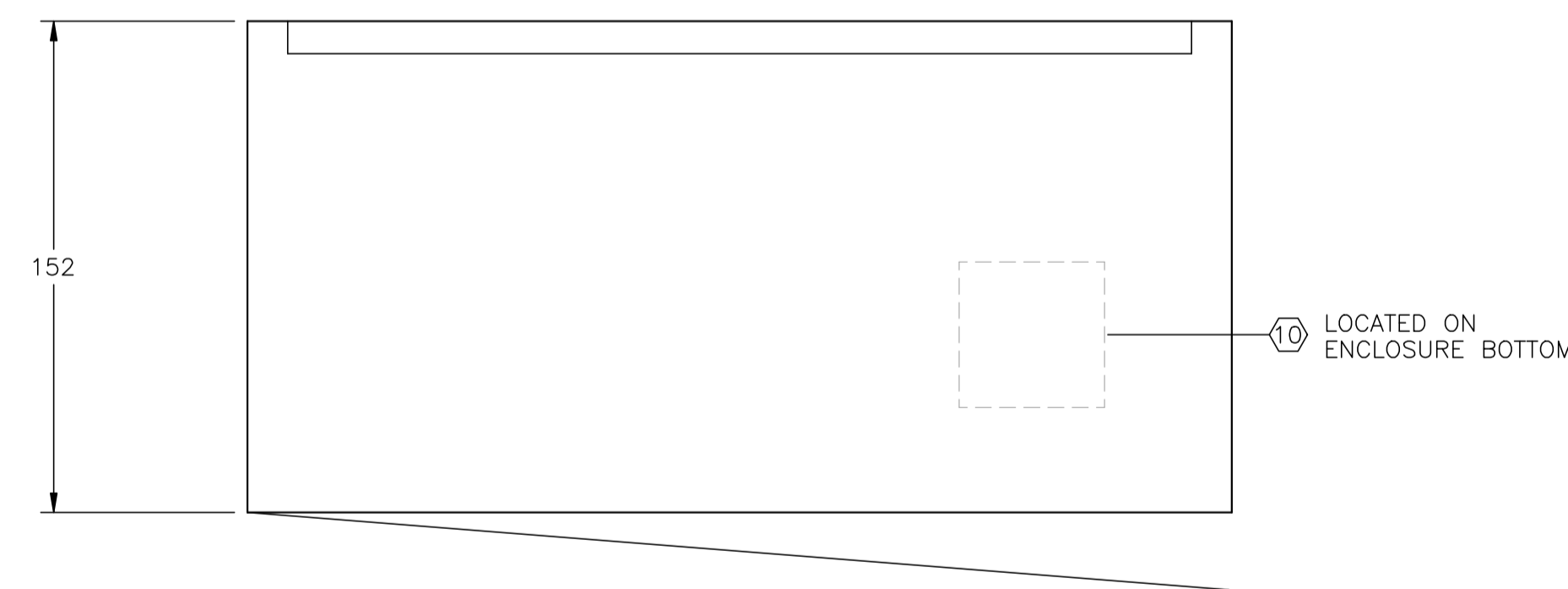
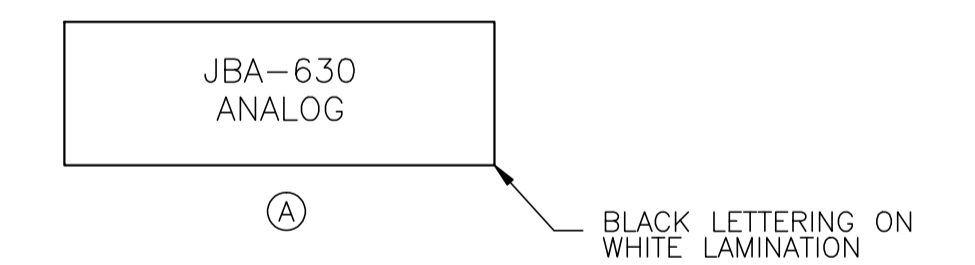


BACK PANEL VIEW

CONSTRUCTION - LAYOUT NOTE:

- BACKPAN SIZE TO BE DETERMINED BY PANEL MANUFACTURER BASED ON SPACE UTILIZATION WITH THE SHOWN LAYOUT.
- | | |
|--------------------------|----------------------------|
| <input type="checkbox"/> | AC PANDUIT |
| <input type="checkbox"/> | DC PANDUIT |
| <input type="checkbox"/> | INTRINSICALLY SAFE PANDUIT |
- PANEL OUTER DIMENSIONS TO BE AS SHOWN ±6mm ANY DEVIATION TO BE APPROVED BY OWNER.
- LAYOUT SHOWN FOR REFERENCE ONLY; ACTUAL EQUIPMENT DIMENSIONS SHALL GOVERN.

LAMICOID/ENGRAVING DETAIL



TOP VIEW

K-630 PROCESS COMPRESSOR BUILDING
JBA-630 - ANALOG
(SEE DWG. E-15-018 FOR WIRING DETAILS)

-EQUIPMENT TO BE REMOVED-

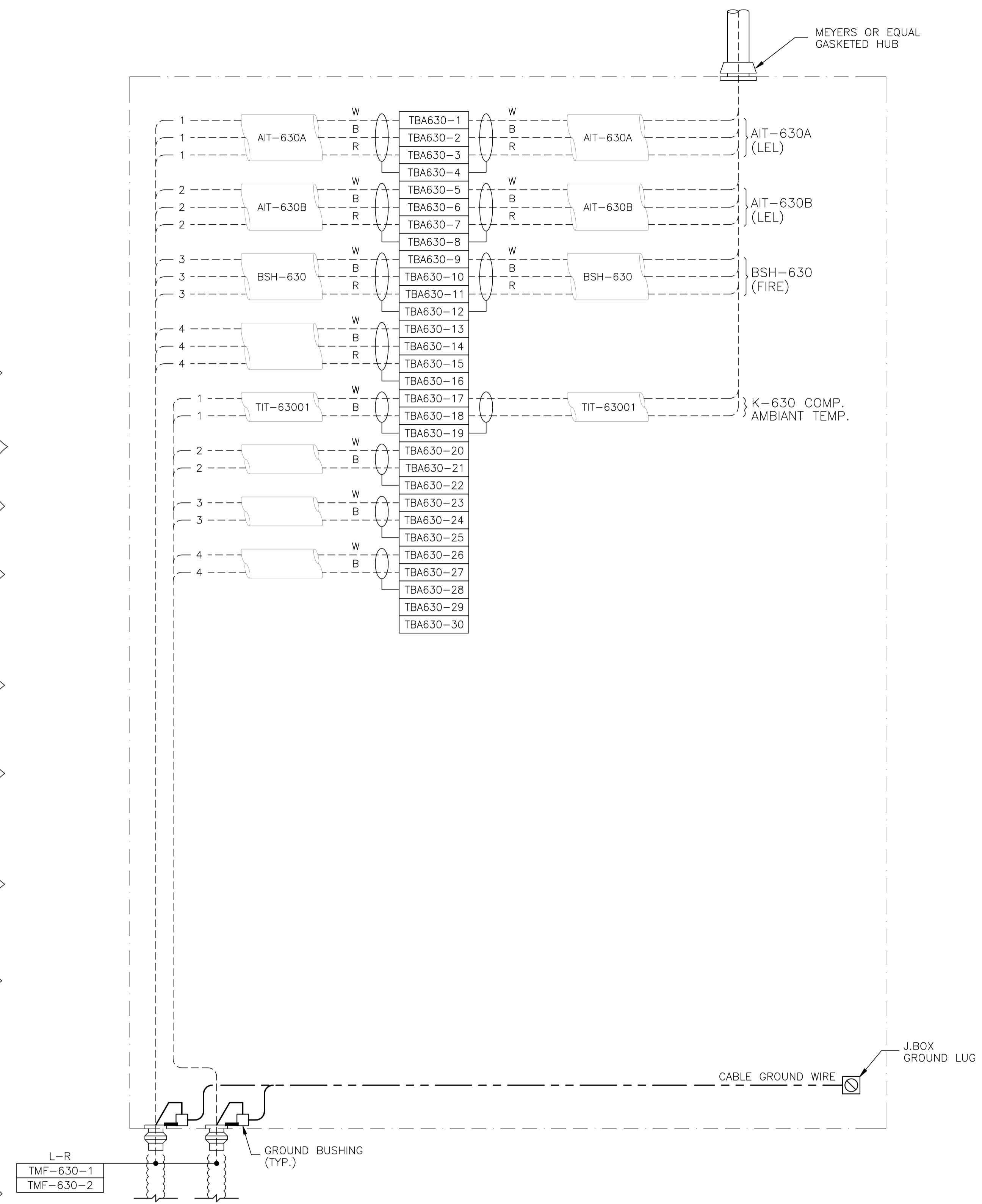
NO.	REVISION	PROJECT	DSN	DRN	CHK'D	APP'D	DATE
7	2005 EXPANSION ISSUED FOR CONSTRUCTION	43884	BGO	FC	BGO	RLB	05.10.19
6	2005 EXPANSION ISSUED FOR BID	43884	BGO	FC	BGO		05.09.26
5	2005 EXPANSION ISSUED FOR APPROVAL	43884	BGO	FC	BGO		05.09.26
4	POST CONSTRUCTION REVISIONS	43733	ATB	SM	ATB		05.02.02
3	ISSUED FOR CONSTRUCTION	43733	ATB	FC	ATB	WDS	04.11.01
2	ISSUED FOR FIELD BID	43733	ATB	FC	ATB		04.10.15
1	ISSUED FOR SKID CONSTRUCTION	43733	ATB	FC	ATB		04.10.15
0	ISSUED FOR APPROVAL	43733	ATB	FC	ATB		04.10.12

PERMIT STAMP:	STAMP APPLIED TO REV. 3 ONLY

GENERAL NOTES:
1. "POST CONSTRUCTION DRAWINGS" ARE GENERATED FROM CONSTRUCTION CHANGE INFORMATION FORWARDED TO BOWER DAMBERGER ROLSETH ENGINEERING LTD. BY THE OWNER'S FIELD SUPERVISORS AND/OR BIDDING CONTRACTORS. ANY CHANGES NOT DOCUMENTED WILL NOT APPEAR ON THE DRAWINGS AND THEREFORE THE DRAWING MAY NOT BE AN ACCURATE REPRESENTATION OF THE CONSTRUCTED FACILITY.
2. PRIOR TO THE COMMENCEMENT OF ANY CONSTRUCTION AND/OR EXCAVATION IT SHALL BE THE RESPONSIBILITY OF THE OWNER'S REPRESENTATIVE TO VERIFY THE LOCATION AND STATUS OF ANY PIPING, ELECTRICAL, EQUIPMENT OR BUILDINGS.
3. ANY REVISIONS MADE TO EXISTING EQUIPMENT, PIPING OR ELECTRICAL ON A FACILITY NOT DESIGNED BY B.D.R. ENG. LTD. IS ONLY SHOWN AS A REPRESENTATION OF WHAT EXISTS AND MUST BE VERIFIED BY THE OWNER.

DESIGN	BY	DATE
DRAWN	ATB	04.09.30
CHK'D	FC	04.09.30
APP'D		
L.S.D.	15-10-62-06	W5M

FORT ENERGY CORPORATION		
CORBETT GAS PLANT K-630 COMPRESSOR BUILDING J.BOX JBA-630 LAYOUT		
SCALE	DRAWING NUMBER	REV
1 : 2	D-23212-E-15-017	7



JBA-630 - ANALOG

-EQUIPMENT TO BE REMOVED-

NO.	REVISION	PROJECT	DSN	DRN	CHK'D	APP'D	DATE
7	2005 EXPANSION ISSUED FOR CONSTRUCTION	43884	BGO	FC	BGO	RLB	05.10.19
6	2005 EXPANSION ISSUED FOR BID	43884	BGO	FC	BGO		05.09.26
5	2005 EXPANSION ISSUED FOR APPROVAL	43884	BGO	FC	BGO		05.09.26
4	POST CONSTRUCTION REVISIONS	43733	ATB	SM	ATB		05.02.02
3	ISSUED FOR CONSTRUCTION	43733	ATB	FC	ATB	WDS	04.11.01
2	ISSUED FOR FIELD BID	43733	ATB	FC	ATB		04.10.15
1	ISSUED FOR SKID CONSTRUCTION	43733	ATB	FC	ATB		04.10.15
0	ISSUED FOR APPROVAL	43733	ATB	FC	ATB		04.10.12

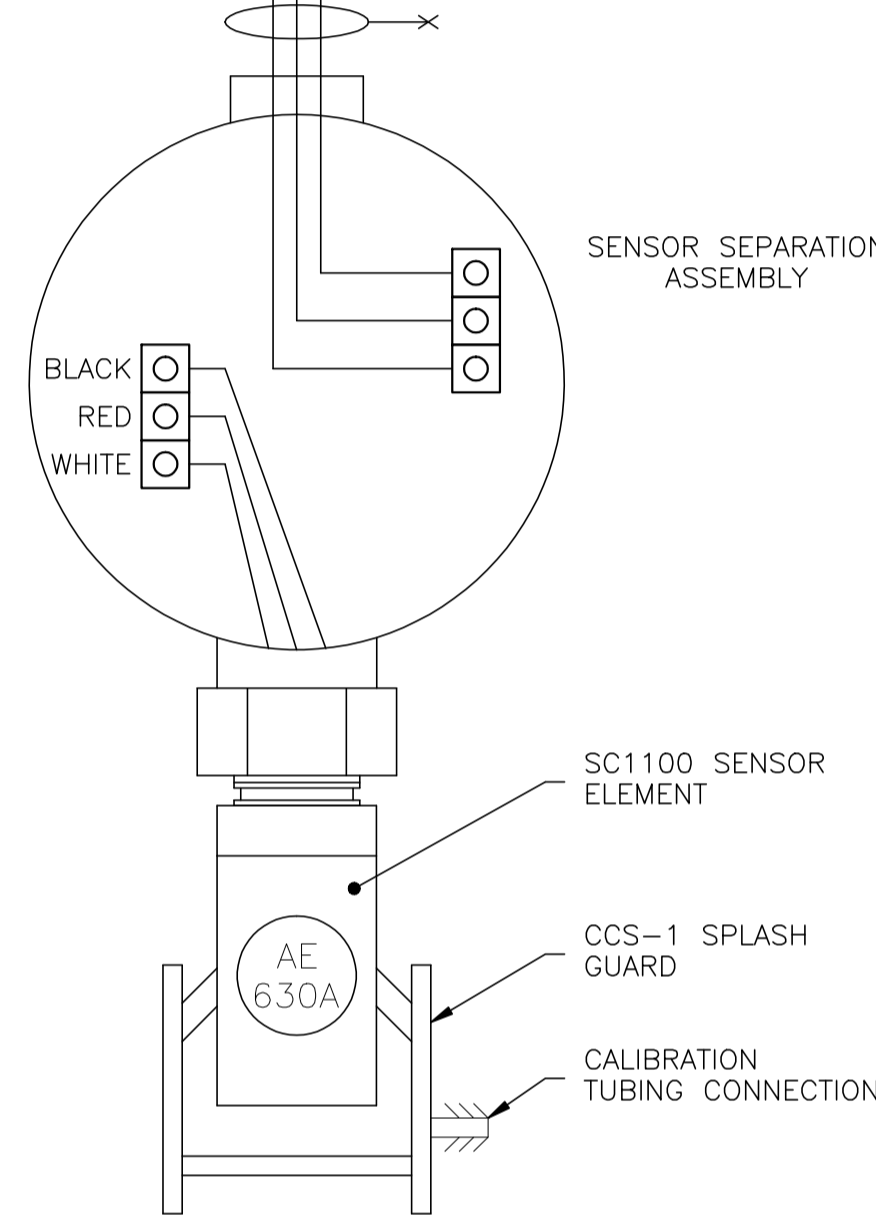
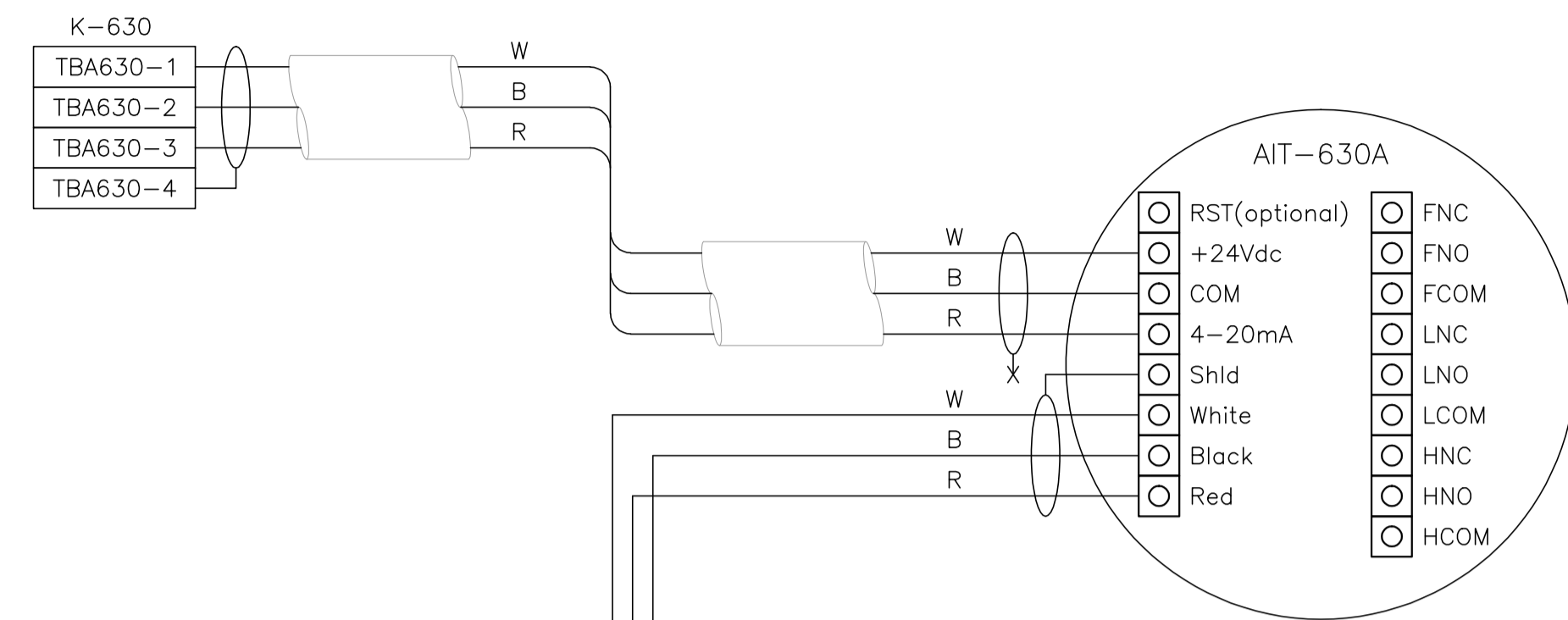
PERMIT STAMP:	STAMP APPLIED TO REV. 3 ONLY
---------------	------------------------------

GENERAL NOTES:
 1. "POST CONSTRUCTION DRAWINGS" ARE GENERATED FROM CONSTRUCTION CHANGE INFORMATION FORWARDED TO BOWER DAMBERGER ROLSETH ENGINEERING LTD. BY THE OWNER'S FIELD SUPERVISORS AND/OR FIELD CONTRACTORS. ANY CHANGES NOT DOCUMENTED WILL NOT APPEAR ON THE DRAWINGS AND THEREFORE THE DRAWING MAY NOT BE AN ACCURATE REPRESENTATION OF THE CONSTRUCTED FACILITY.
 2. PRIOR TO THE COMMENCEMENT OF ANY CONSTRUCTION AND/OR EXCAVATION IT SHALL BE THE RESPONSIBILITY OF THE OWNER'S REPRESENTATIVE TO VERIFY THE LOCATION AND STATUS OF ANY PIPING, ELECTRICAL EQUIPMENT OR BUILDINGS.
 3. ANY REVISIONS MADE TO EXISTING EQUIPMENT, PIPING OR ELECTRICAL ON A FACILITY NOT DESIGNED BY B.D.R. ENG. LTD. IS ONLY SHOWN AS A REPRESENTATION OF WHAT EXISTS AND MUST BE VERIFIED BY THE OWNER.

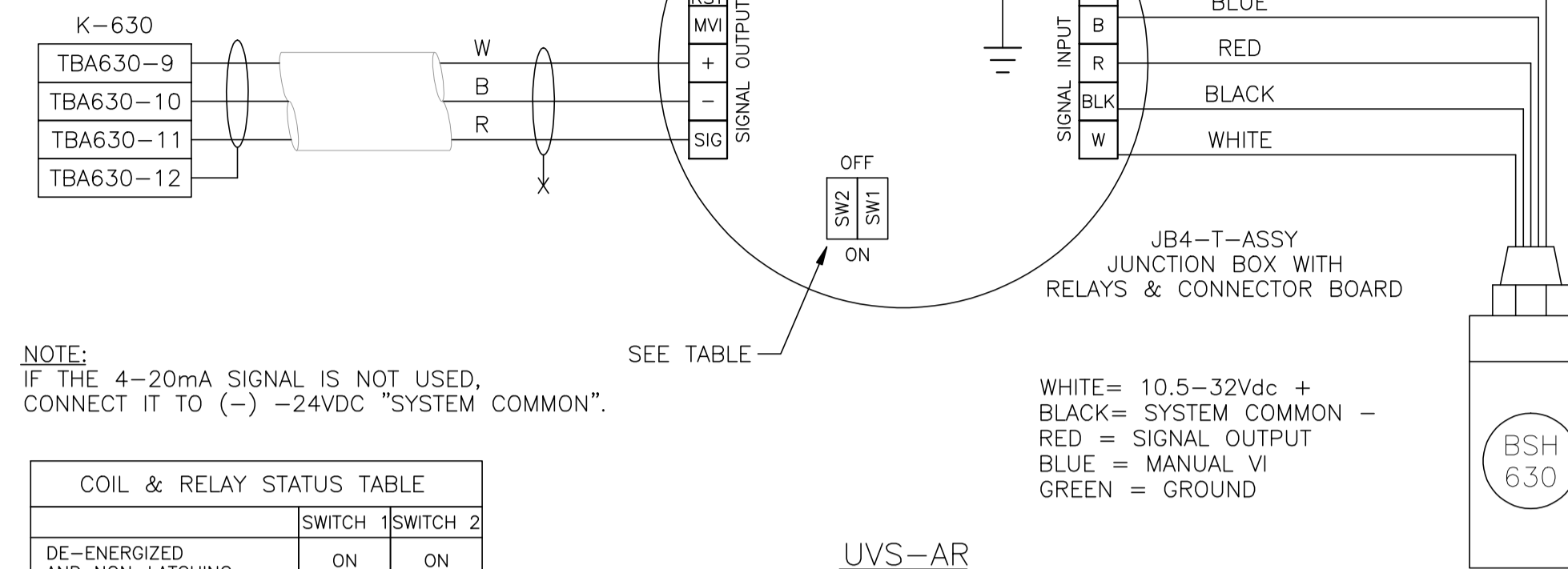
	BY	DATE
DESIGN	ATB	04.09.30
DRAWN	FC	04.09.30
CHK'D		
APP'D		
L.S.D.	15-10-62-06	W5M

bdr
 Bower Damberger Rolseth
 Engineering Ltd.

FORT ENERGY CORPORATION		
CORBETT GAS PLANT K-630 COMPRESSOR BUILDING J.BOX JBA-630 WIRING DETAIL		
SCALE	DRAWING NUMBER	REV
N/A	D-23212-E-15-018	7



MILLENIUM SC1100
LEL DETECTOR ANALOG
CONNECTION DETAIL



NOTE:
IF THE 4-20mA SIGNAL IS NOT USED,
CONNECT IT TO (-) -24VDC "SYSTEM COMMON".

COIL & RELAY STATUS TABLE	SWITCH	
	SWITCH 1	SWITCH 2
DE-ENERGIZED AND NON-LATCHING	ON	ON
ENERGIZED AND NON-LATCHING	ON	OFF
DE-ENERGIZED AND LATCHING	OFF	ON
ENERGIZED AND LATCHING	OFF	OFF

UVS-AR
FIRE DETECTOR
CONNECTION DETAIL
(ANALOG CONNECTION)

WHITE = 10.5-32Vdc +
BLACK = SYSTEM COMMON -
RED = SIGNAL OUTPUT
BLUE = MANUAL VI
GREEN = GROUND

-EQUIPMENT TO BE REMOVED-

NO.	REVISION	PROJECT	DSN	DRN	CHK'D	APP'D	DATE
7	2005 EXPANSION ISSUED FOR CONSTRUCTION	43884	BGO	FC	BGO	RLB	05.10.19
6	2005 EXPANSION ISSUED FOR BID	43884	BGO	FC	BGO		05.09.26
5	2005 EXPANSION ISSUED FOR APPROVAL	43884	BGO	FC	BGO		05.09.26
4	POST CONSTRUCTION REVISIONS	43733	ATB	SM	ATB		05.02.02
3	ISSUED FOR CONSTRUCTION	43733	ATB	FC	ATB	WDS	04.11.01
2	ISSUED FOR FIELD BID	43733	ATB	FC	ATB		04.10.15
1	ISSUED FOR SKID CONSTRUCTION	43733	ATB	FC	ATB		04.10.15
0	ISSUED FOR APPROVAL	43733	ATB	FC	ATB		04.10.12

PERMIT STAMP:	STAMP APPLIED TO REV. 3 ONLY

GENERAL NOTES:
1. "POST CONSTRUCTION DRAWINGS" ARE GENERATED FROM CONSTRUCTION CHANGE INFORMATION FORWARDED TO BOWER DAMBERGER ROLSETH ENGINEERING LTD. BY THE OWNER'S FIELD SUPERVISORS AND/OR BIDDING CONTRACTORS. ANY CHANGES NOT DOCUMENTED WILL NOT APPEAR ON THE DRAWINGS AND THEREFORE THE DRAWING MAY NOT BE AN ACCURATE REPRESENTATION OF THE CONSTRUCTED FACILITY.
2. PRIOR TO THE COMMENCEMENT OF ANY CONSTRUCTION AND/OR EXCAVATION IT SHALL BE THE RESPONSIBILITY OF THE OWNER'S REPRESENTATIVE TO VERIFY THE LOCATION AND STATUS OF ANY PIPING, ELECTRICAL, EQUIPMENT OR BUILDINGS.
3. ANY REVISIONS MADE TO EXISTING EQUIPMENT, PIPING OR ELECTRICAL ON A FACILITY NOT DESIGNED BY B.D.R. ENG. LTD. IS ONLY SHOWN AS A REPRESENTATION OF WHAT EXISTS AND MUST BE VERIFIED BY THE OWNER.

DESIGN	BY	DATE
DRAWN	ATB	04.09.30
CHK'D	FC	04.09.30
APP'D.		
L.S.D.	15-10-62-06	W5M

bdr
Bower Damberger Rolseth
Engineering Ltd.

FORT ENERGY CORPORATION		
CORBETT GAS PLANT K-630 COMPRESSOR BUILDING GAS DETECTION DETAIL		
SCALE	DRAWING NUMBER	REV
N/A	D-23212-E-15-019	7

P-503A AMINE BOOSTER PUMP 1.5HP 480VAC 3Ø
 P-503B AMINE BOOSTER PUMP 1.5HP 480VAC 3Ø
 P-505 WATER/AMINE MAKE-UP PUMP 3/4HP 480VAC 3Ø
 P-504 AMINE REFLUX PUMP 3/4HP 480VAC 3Ø
 P-502 CHEMICAL INJECTION PUMP 1/4HP 120VAC 3Ø
 P-501A AMINE CHARGE PUMP 15HP 480VAC 3Ø
 P-501B AMINE CHARGE PUMP 15HP 480VAC 3Ø
 UH-300A/B UNIT HEATERS 25kW 480VAC 3Ø

BILL OF MATERIALS
(AS REQUIRED)

FIXTURES

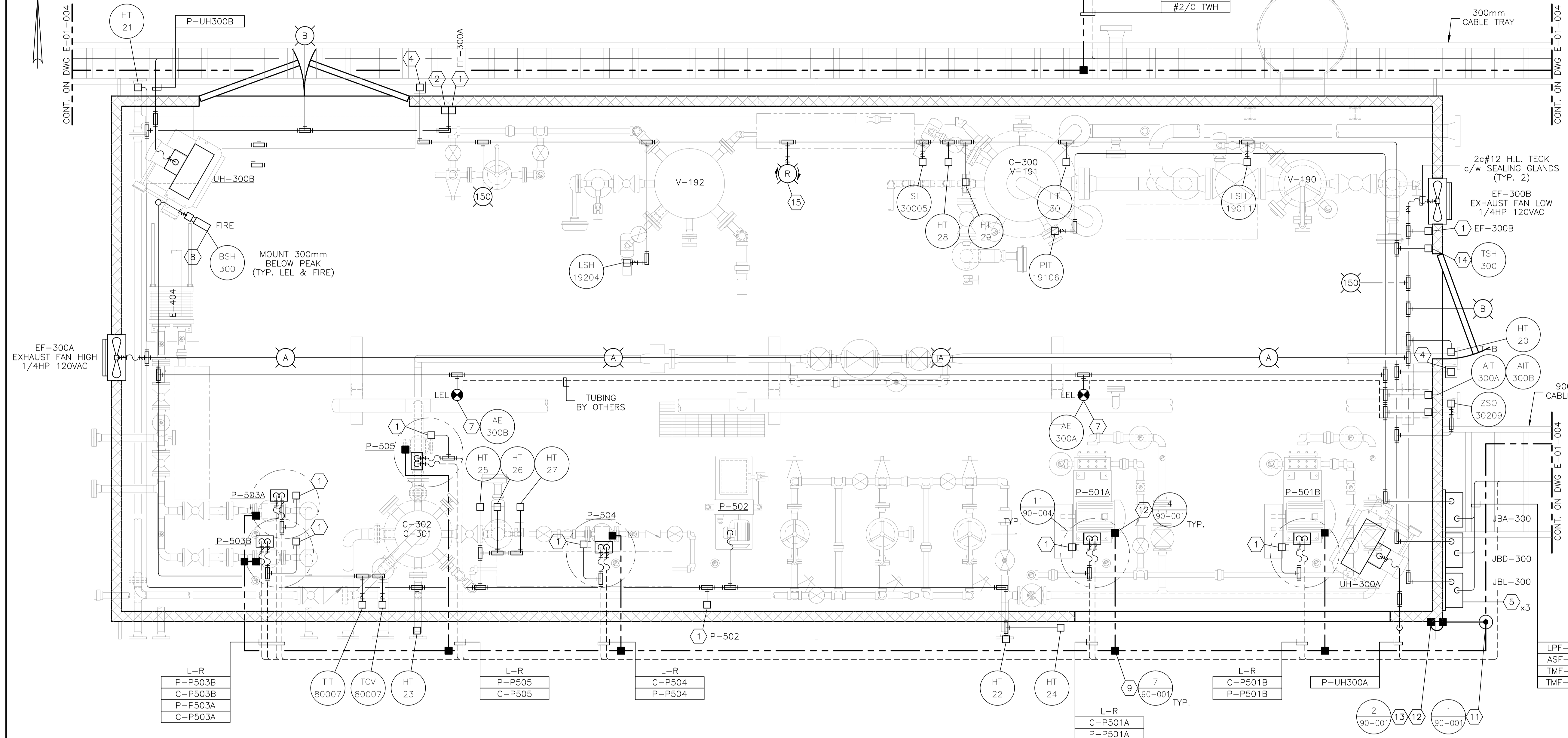
- A. CROUSE HINDS #EVLPA143151 120V, 150W HIGH PRESSURE SODIUM, PENDANT MOUNT FIXTURE c/w GLOBE, GUARD AND LAMP. CLASS 1, ZONE 1 & 2, EXPLOSION PROOF.
- B. CROUSE HINDS #VXHF25GP 120V, 150W INCANDESCENT, WALL MOUNT FIXTURE c/w GLOBE, GUARD, JUNCTION BOX AND LAMP. CLASS 1, DIV 2, FOR WET LOCATIONS.

MATERIALS

- 1. CROUSE HINDS #DSFS933 ON/OFF SWITCH, 277VAC, 20AMPS MAX. SINGLE POLE, CLASS 1, DIV 1, EXPLOSION PROOF, FACTORY SEALED.
- 2. CROUSE HINDS #JCP152R DELAYED ACTION RECEPTACLE, 115-250VAC, 20AMPS, 1HP MAX. CLASS 1, DIV 1, EXPLOSION PROOF.
- 3. RUFFNECK ELECTRIC UNIT HEATER, 480VAC, 3Ø c/w BUILT IN THERMOSTAT, SIZED AS REQUIRED, EXPLOSION PROOF. (OWNER SUPPLIED)
- 4. CROUSE HINDS CEAG #GHG432KLM00SGT551211/2511 ESD PUSHBUTTON c/w RED SHROUD AND MIN. 4" x 6" ESD WARNING LAMICOID. CLASS 1, ZONE 1, EXPLOSION PROOF.
- 5. NEMA 4 STEEL ENCLOSURE SIZED AS PER DRAWING c/w BACK PAN, TERMINAL BLOCKS AND MOUNTING HARDWARE.
- 6. HOFFMAN #A-NMV6 JUNCTION BOX DRAIN SEAL.
- 7. NET SAFETY MOD. #MLP-A-SC1100-SEP MILLENNIUM COMBUSTIBLE GAS DETECTOR, 24VDC c/w 4-20mA SIGNAL OUTPUT, SEPARATOR KIT AND CCS-1 SPLASH GUARD.
- 8. NET SAFETY MOD. #UVS-AR STAND ALONE UV FIRE DETECTOR, 24VDC c/w 4-20mA SIGNAL OUTPUT, RELAY OUTPUT BOARD, SWIVEL AND JB4-UV-T ASSY.
- 9. #2/0-#2/0 C-TAP SPLICE, INSTALLED c/w TAPE AND GLYPTOL SPRAY.
- 10. #2/0-#2 C-TAP SPLICE, INSTALLED c/w TAPE AND GLYPTOL SPRAY.
- 11. 300mm x 75mm COPPER CLUB GROUND RODS c/w - GROUND WELL; - INSPECTION COVER; - GROUND ROD (#2/0).
- 12. GROUNDING SERVIT POST - #2/0 OR #2 AS REQUIRED.
- 13. BUILDING BONDING PLATE c/w #2 CRIMP-ON LUG.
- 14. CROUSE HINDS #HRC2, CLASS 1, DIV 1 & DIV 2 HEATING AND COOLING BIMETALLIC THERMOSTAT.
- 15. FEDERAL SIGNAL #121X 24V, RED ROTATING BEACON. CLASS 1, DIV 1, EXPLOSION PROOF.

NOTES:

- 1. ALL WIRING TO THE SKID DEVICES SHALL BE TAKEN FROM THE RIGHT-HAND SIDE OF THE TERMINALS. DIRECT WITHOUT SPLICES OF ANY KIND.
- 2. WIRING FOR ALL DEVICES SHALL BE TAGGED AS PER J.BOX LAYOUTS.
- 3. FIELD CONTRACTOR TO ENSURE ALL INCOMING/EXITING TECK CABLES ARE c/w GROUNDING BUSHINGS.
- 4. ALL J.BOXES ARE TO HAVE LAMICOID NAME PLATES AS PER DRAWINGS.
- 5. FIELD CONTRACTOR WILL BE RESPONSIBLE FOR GROUNDING AS WELL AS THE PACKING AND POURING OF ALL SEALS. THIS APPLIES WHETHER OR NOT THE SKID ARRIVES PRE-WIRED.
- 6. CONDUIT METHOD WILL BE RA c/w ALL FITTINGS.
- 7. ALL CABLES TO ENTER/EXIT THE BOTTOM OF THE J.BOXES. ALL CONDUIT TO ENTER/EXIT THE TOP OF THE J.BOXES VIA MYERS HUB.
- 8. THE INTERIOR OF THIS SKID IS CLASSIFIED CLASS-I ZONE-2. THE EXTERIOR OF THIS SKID IS CLASSIFIED CLASS-I ZONE-2 FOR THE FIRST 3 METERS.
- 9. INSTALLATION TO BE DONE ACCORDING TO GENERAL SPEC. INCLUDED WITH BID PACKAGE.
- 10. LEL DETECTORS TO BE INSTALLED USING OWNER SUPPLIED SEPARATION KITS. SEPARATION KITS TO BE MOUNTED ON WALL AT APPROXIMATELY 1500mm TO CENTER.
- 11. ALL VERTICAL CABLE TRAY RISERS ARE TO BE COMPLETE WITH PROPER SUPPORTS AND ALUMINUM TRAY COVER.
- 12. WINDOWS AND DOORS ARE NOT TO BE USED FOR VENTILATION.



AMINE BUILDING
4572 x 11582
EAVE HEIGHT - 3150

NO.	REVISION	PROJ. No.	BY	DATE	CHK.	DATE
4	POST CONSTRUCTION REVISIONS	43733	SM	05.02.02	ATB	05.02.02
3	ISSUED FOR CONSTRUCTION	43733	FC	04.10.28	ATB	04.11.01
2	ISSUED FOR SKID CONSTRUCTION	43733	FC	04.10.28	ATB	04.10.28
1	ISSUED FOR FIELD BID	43733	FC	04.10.15	ATB	04.10.15
0	ISSUED FOR APPROVAL	43733	FC	04.10.04	ATB	04.10.12

PERMIT STAMP:	STAMP APPLIED TO REV. 3 ONLY

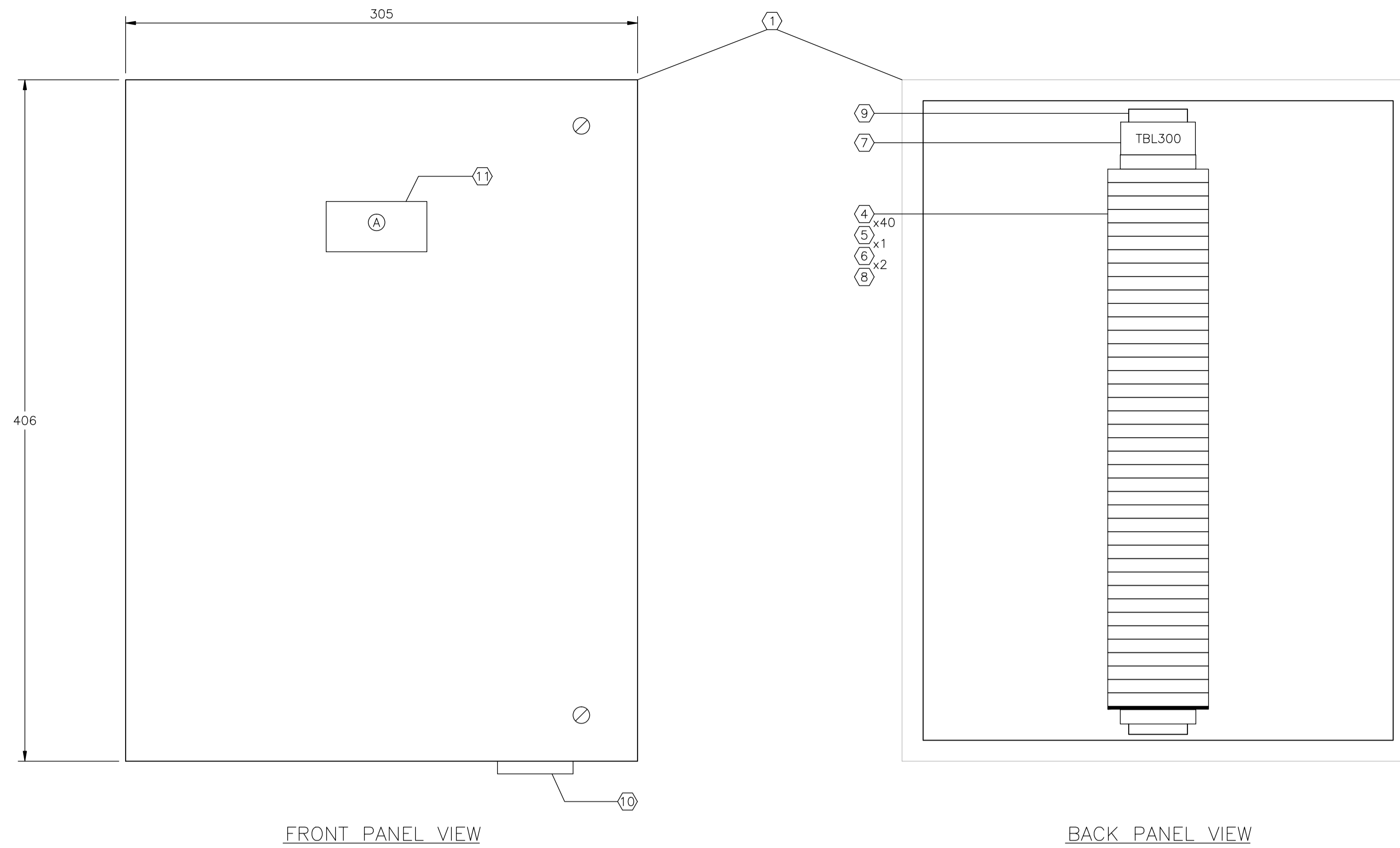
GENERAL NOTES:

- "POST CONSTRUCTION DRAWINGS" ARE GENERATED FROM CONSTRUCTION CHANGE INFORMATION FORWARDED TO BOWER DAMBERGER ROLSETH ENGINEERING LTD. BY THE OWNER'S FIELD SUPERVISORS AND/OR FIELD CONTRACTORS. ANY CHANGES NOT DOCUMENTED WILL NOT APPEAR ON THE DRAWINGS AND THEREFORE THE DRAWING MAY NOT BE AN ACCURATE REPRESENTATION OF THE CONSTRUCTED FACILITY.
- PRIOR TO THE COMMENCEMENT OF ANY CONSTRUCTION AND/OR EXCAVATION IT SHALL BE THE RESPONSIBILITY OF THE OWNER REPRESENTATIVE TO VERIFY THE LOCATION AND STATUS OF ANY PIPING, ELECTRICAL EQUIPMENT OR BUILDINGS.
- ANY REVISIONS MADE TO EXISTING EQUIPMENT, PIPING OR ELECTRICAL ON A FACILITY NOT DESIGNED BY B.D.R. ENG. LTD. IS ONLY SHOWN AS A REPRESENTATION OF WHAT EXISTS AND MUST BE VERIFIED BY THE OWNER.

DRN.	BY	DATE
CHK.	FC	04.10.04
APP'D.		
L.S.D.	15-10-62-06 WSM	

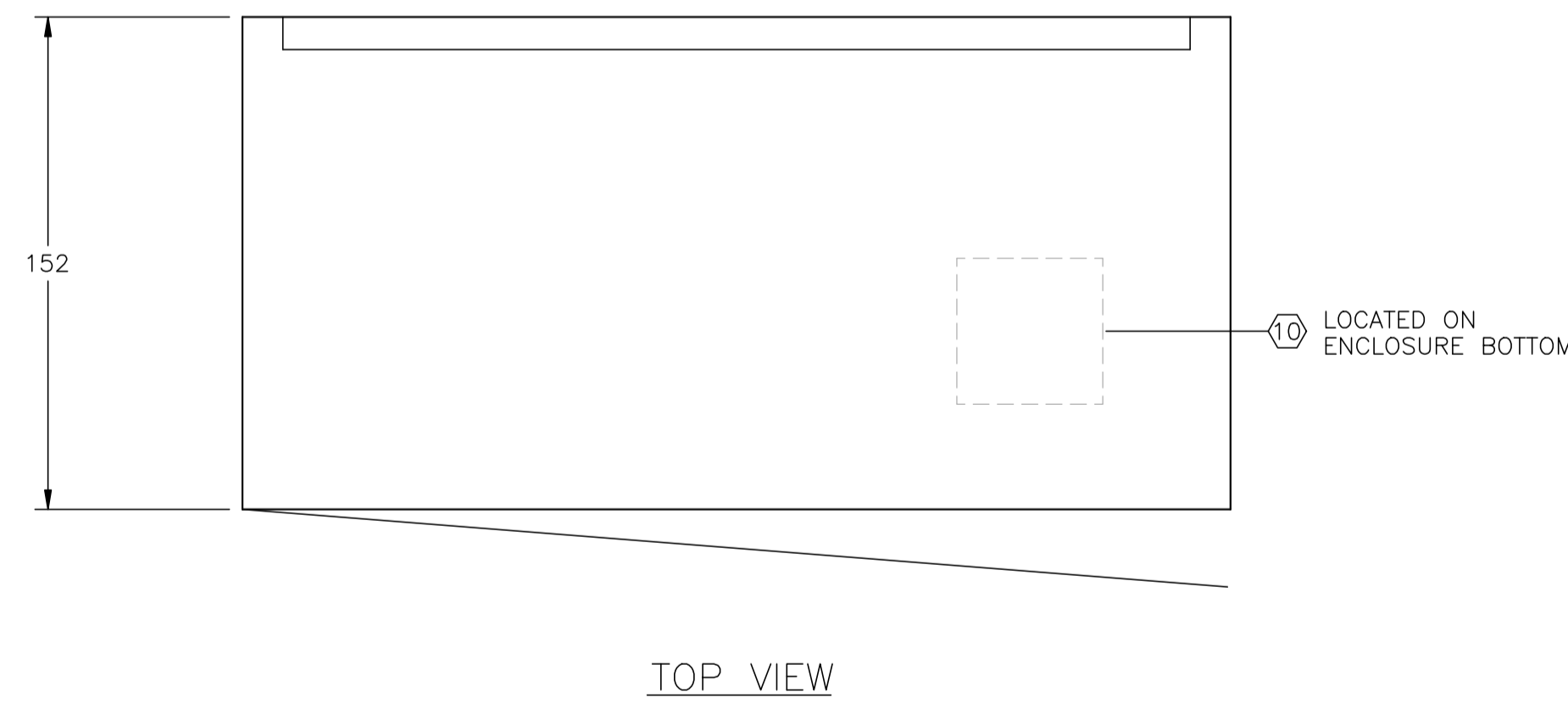


FORT ENERGY CORPORATION		
CORBETT GAS PLANT		
C-300 AMINE BUILDING ELECTRICAL LAYOUT		
SCALE	DRAWING NUMBER	REV
1 : 20	D-23212-E-16-001	4



FRONT PANEL VIEW

BACK PANEL VIEW



TOP VIEW

C-300 AMINE BUILDING
JBL-300 - 120VAC UTILITIES
(SEE DWG. E-16-012 FOR WIRING DETAILS)

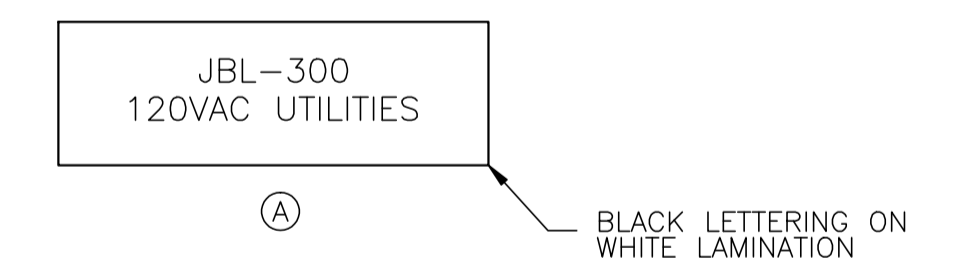
CUSTOM ENCLOSURE BILL OF MATERIALS

ITEM	QTY	DESCRIPTION
1	1	CUSTOM STEEL NEMA 4, WEATHERPROOF RATED ENCLOSURE; - 406mmH x 305mmW x 152mmD (EXTERIOR DIMENSIONS); - FULL HEIGHT DOOR c/w CSD TYPE CLOSURES; - HEAVY DUTY HINGE; - c/w (1) BACKPAN.
2	-	WEIDMULLER WDU-2.5 TERMINALS c/w ACCESSORIES.
3	-	WEIDMULLER WDU-4 TERMINALS c/w ACCESSORIES.
4	40	WEIDMULLER WDU-6 TERMINALS c/w ACCESSORIES.
5	1	WEIDMULLER WAP-2.5/4/6/10 END PLATE.
6	2	WEIDMULLER EW-35 END BRACKET.
7	1	WEIDMULLER SHT-5 GROUP TAG HOLDER.
8	AS REQ'D	DEKAFIX MARKING TAG (#1-#40).
9	AS REQ'D	WEIDMULLER TS35 MOUNTING RAIL.
10	1	HOFFMAN #A-NMV6 DRAIN SEAL.
11	1	25mm x 75mm LAMICOID.

CONSTRUCTION - LAYOUT NOTE:

- BACKPAN SIZE TO BE DETERMINED BY PANEL MANUFACTURER BASED ON SPACE UTILIZATION WITH THE SHOWN LAYOUT.
- | | |
|-------------------------------------|---------------------------|
| <input checked="" type="checkbox"/> | AC PANUIT |
| <input type="checkbox"/> | DC PANUIT |
| <input checked="" type="checkbox"/> | INTRINSICALLY SAFE PANUIT |
- PANEL OUTER DIMENSIONS TO BE AS SHOWN ±6mm ANY DEVIATION TO BE APPROVED BY OWNER.
- LAYOUT SHOWN FOR REFERENCE ONLY; ACTUAL EQUIPMENT DIMENSIONS SHALL GOVERN.

LAMICOID/ENGRAVING DETAIL

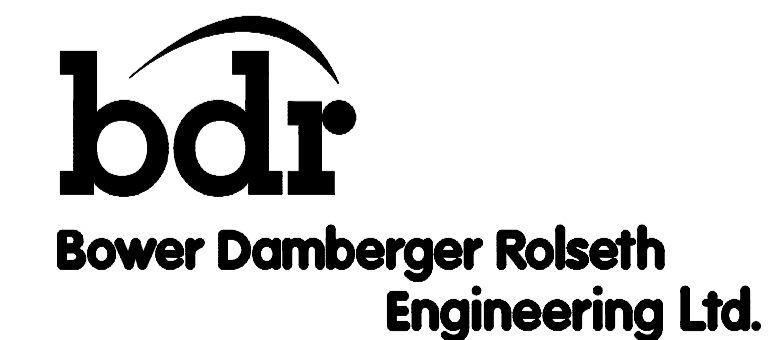


NO.	REVISION	PROJ. No.	BY	DATE	CHK.	DATE
4	POST CONSTRUCTION REVISIONS	43733	SM	05.02.02	ATB	05.02.02
3	ISSUED FOR CONSTRUCTION	43733	FC	04.10.28	ATB	04.11.01
2	ISSUED FOR SKID CONSTRUCTION	43733	FC	04.10.28	ATB	04.10.28
1	ISSUED FOR FIELD BID	43733	FC	04.10.15	ATB	04.10.15
0	ISSUED FOR APPROVAL	43733	FC	04.09.30	ATB	04.10.12

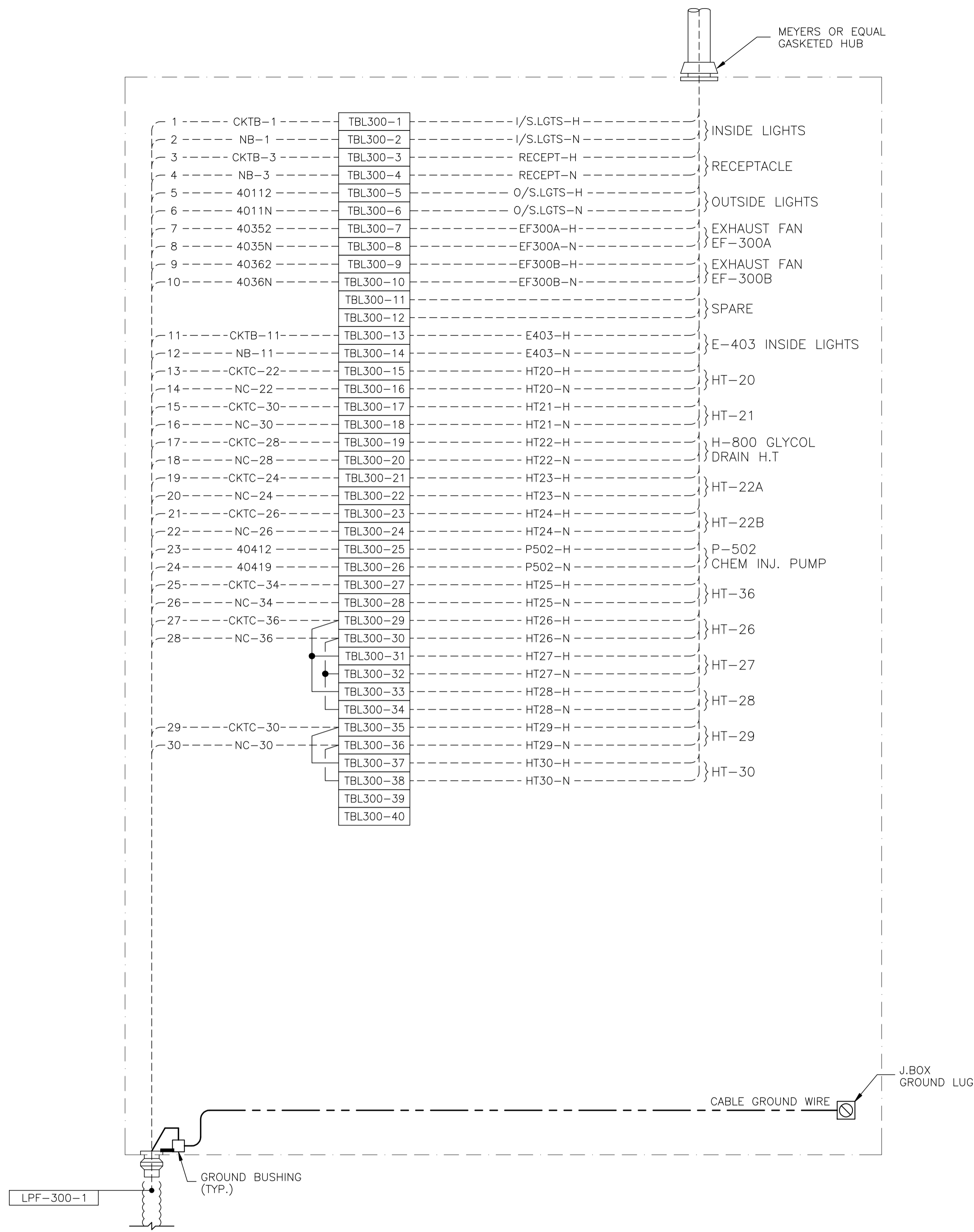
PERMIT STAMP:	STAMP APPLIED TO REV. 3 ONLY
---------------	------------------------------

GENERAL NOTES:		
1.	"POST CONSTRUCTION DRAWINGS" ARE GENERATED FROM CONSTRUCTION CHANGE INFORMATION FORWARDED TO BOWER DAMBERGER ROLSETH ENGINEERING LTD. BY THE OWNER'S FIELD SUPERVISORS AND/OR FIELD CONTRACTORS. ANY CHANGES NOT DOCUMENTED WILL NOT APPEAR ON THE DRAWINGS AND THEREFORE THE DRAWING MAY NOT BE AN ACCURATE REPRESENTATION OF THE CONSTRUCTED FACILITY.	
2.	PRIOR TO THE COMMENCEMENT OF ANY CONSTRUCTION AND/OR EXCAVATION IT SHALL BE THE RESPONSIBILITY OF THE OWNER'S REPRESENTATIVE TO VERIFY THE LOCATION AND STATUS OF ANY PIPING, ELECTRICAL EQUIPMENT OR BUILDINGS.	
3.	ANY REVISIONS MADE TO EXISTING EQUIPMENT, PIPING OR ELECTRICAL ON A FACILITY NOT DESIGNED BY B.D.R. ENG. LTD. IS ONLY SHOWN AS A REPRESENTATION OF WHAT EXISTS AND MUST BE VERIFIED BY THE OWNER.	

DRN.	BY	DATE
CHK.	FC	04.09.30
APP'D.		
L.S.D.	15-10-62-06 WSM	



FORT ENERGY CORPORATION		
CORBETT GAS PLANT		
C-300 AMINE BUILDING J.BOX JBL-300 LAYOUT		
SCALE	DRAWING NUMBER	REV
1 : 2	D-23212-E-16-011	4



JBL-300 - 120VAC UTILITIES

NO.	REVISION	PROJ. No.	BY	DATE	CHK.	DATE
4	POST CONSTRUCTION REVISIONS	43733	SM	05.02.02	ATB	05.02.02
3	ISSUED FOR CONSTRUCTION	43733	FC	04.10.28	ATB	04.11.01
2	ISSUED FOR SKID CONSTRUCTION	43733	FC	04.10.28	ATB	04.10.28
1	ISSUED FOR FIELD BID	43733	FC	04.10.15	ATB	04.10.15
0	ISSUED FOR APPROVAL	43733	FC	04.09.30	ATB	04.10.12

PERMIT STAMP:	STAMP APPLIED TO REV. 3 ONLY

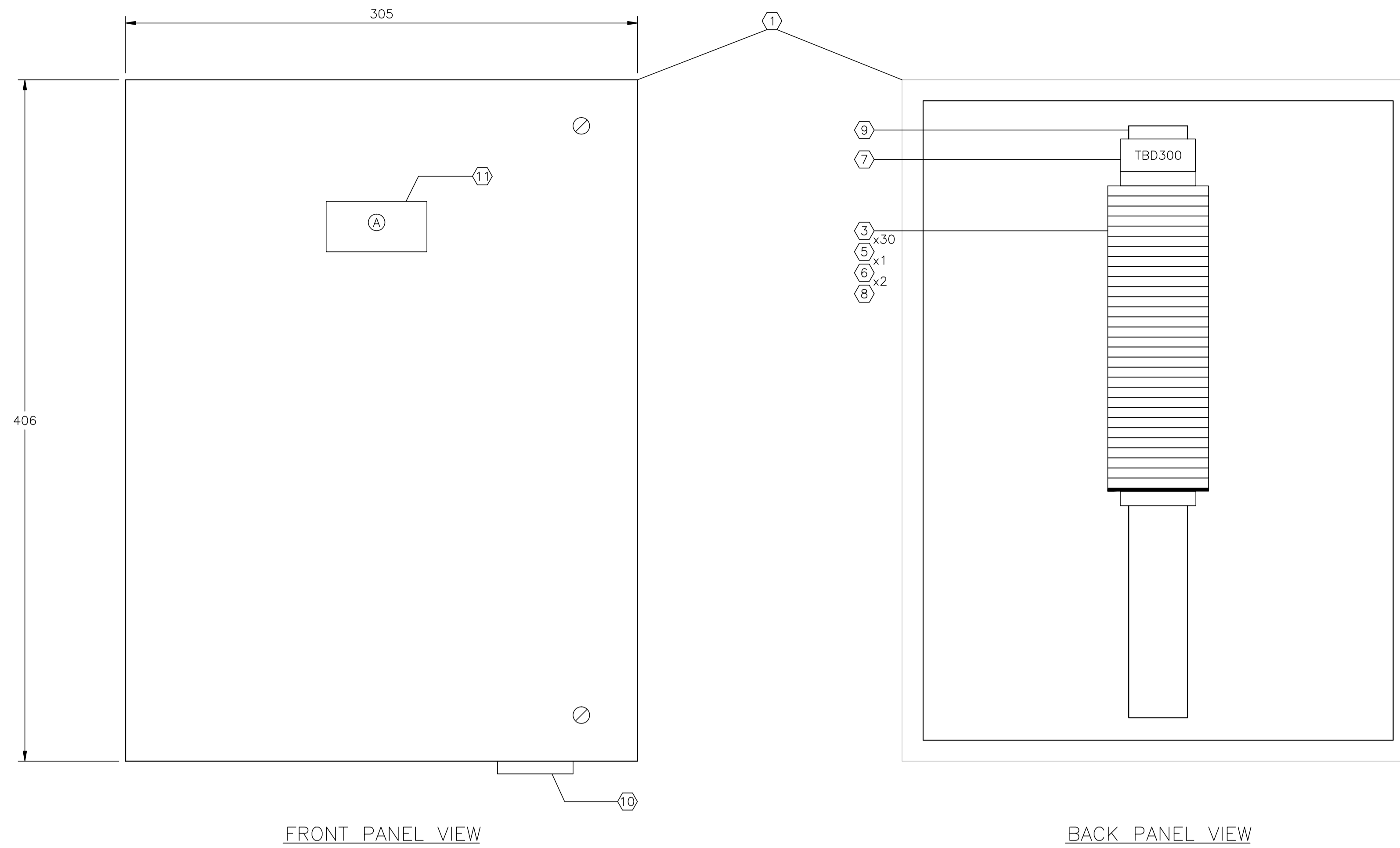
GENERAL NOTES:

- "POST CONSTRUCTION DRAWINGS" ARE GENERATED FROM CONSTRUCTION CHANGE INFORMATION FORWARDED TO BOWER DAMBERGER ROLSETH ENGINEERING LTD. BY THE OWNER'S FIELD SUPERVISORS AND/OR BIDDING CONTRACTORS. ANY CHANGES NOT DOCUMENTED WILL NOT APPEAR ON THE DRAWINGS AND THEREFORE THE DRAWING MAY NOT BE AN ACCURATE REPRESENTATION OF THE CONSTRUCTED FACILITY.
- PRIOR TO THE COMMENCEMENT OF ANY CONSTRUCTION AND/OR EXCAVATION IT SHALL BE THE RESPONSIBILITY OF THE OWNER'S REPRESENTATIVE TO VERIFY THE LOCATION AND STATUS OF ANY PIPING, ELECTRICAL EQUIPMENT OR BUILDINGS.
- ANY REVISIONS MADE TO EXISTING EQUIPMENT, PIPING OR ELECTRICAL ON A FACILITY NOT DESIGNED BY B.D.R. ENG. LTD. IS ONLY SHOWN AS A REPRESENTATION OF WHAT EXISTS AND MUST BE VERIFIED BY THE OWNER.

DRN.	BY	DATE
CHK.	FC	04.09.30
APP'D.		
L.S.D.	15-10-62-06	WSM

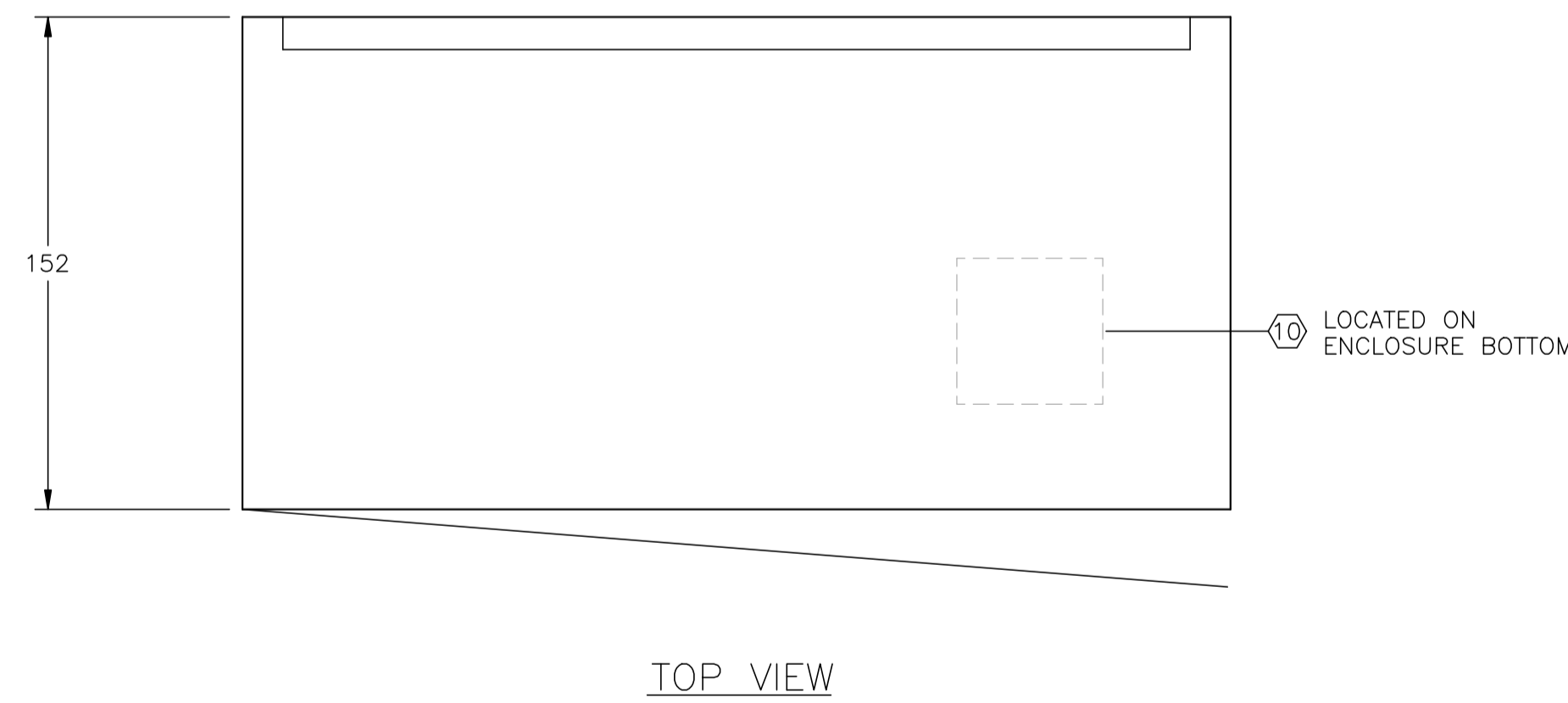
Bower Damberger Rolseth Engineering Ltd.

FORT ENERGY CORPORATION		
CORBETT GAS PLANT		
C-300 AMINE BUILDING J.BOX JBL-300 WIRING DETAIL		
SCALE	DRAWING NUMBER	REV
N/A	D-23212-E-16-012	4



FRONT PANEL VIEW

BACK PANEL VIEW



TOP VIEW

C-300 AMINE BUILDING
JBD-300 - 24VDC CONTROL
(SEE DWG. E-16-014 FOR WIRING DETAILS)

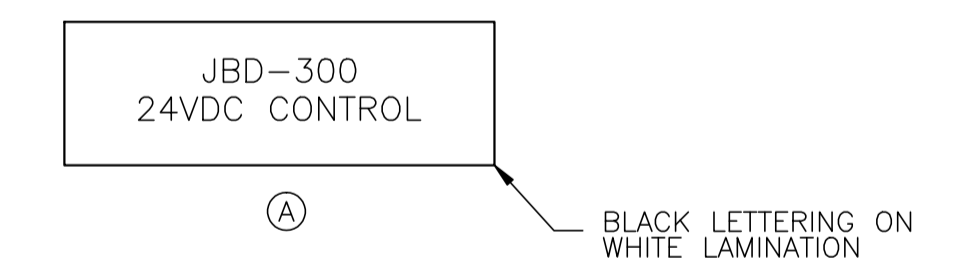
CUSTOM ENCLOSURE BILL OF MATERIALS

ITEM	QTY	DESCRIPTION
1	1	CUSTOM STEEL NEMA 4, WEATHERPROOF RATED ENCLOSURE; - 406mmH x 305mmW x 152mmD (EXTERIOR DIMENSIONS); - FULL HEIGHT DOOR c/w CSD TYPE CLOSURES; - HEAVY DUTY HINGE; - c/w (1) BACKPAN.
2	-	WEIDMULLER WDU-2.5 TERMINALS c/w ACCESSORIES.
3	30	WEIDMULLER WDU-4 TERMINALS c/w ACCESSORIES.
4	-	WEIDMULLER WDU-6 TERMINALS c/w ACCESSORIES.
5	1	WEIDMULLER WAP-2.5/4/6/10 END PLATE.
6	2	WEIDMULLER EW-35 END BRACKET.
7	1	WEIDMULLER SHT-5 GROUP TAG HOLDER.
8	AS REQ'D	DEKAFIX MARKING TAG (#1-#30).
9	AS REQ'D	WEIDMULLER TS35 MOUNTING RAIL.
10	1	HOFFMAN #A-NMV6 DRAIN SEAL.
11	1	25mm x 75mm LAMICOID.

CONSTRUCTION - LAYOUT NOTE:

- BACKPAN SIZE TO BE DETERMINED BY PANEL MANUFACTURER BASED ON SPACE UTILIZATION WITH THE SHOWN LAYOUT.
- | | |
|-------------------------------------|---------------------------|
| <input checked="" type="checkbox"/> | AC PANUIT |
| <input type="checkbox"/> | DC PANUIT |
| <input checked="" type="checkbox"/> | INTRINSICALLY SAFE PANUIT |
- PANEL OUTER DIMENSIONS TO BE AS SHOWN ±6mm ANY DEVIATION TO BE APPROVED BY OWNER.
- LAYOUT SHOWN FOR REFERENCE ONLY; ACTUAL EQUIPMENT DIMENSIONS SHALL GOVERN.

LAMICOID/ENGRAVING DETAIL

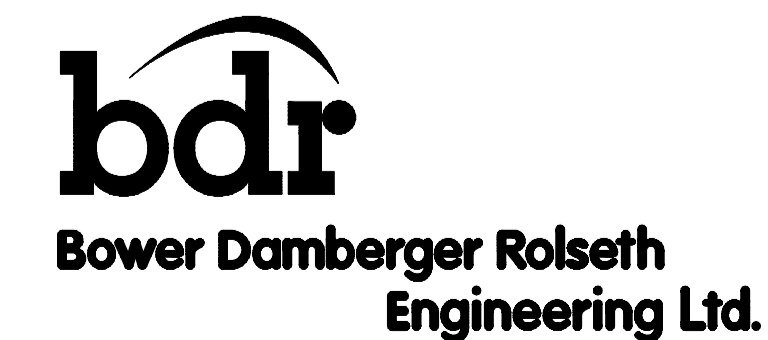


NO.	REVISION	PROJ. No.	BY	DATE	CHK.	DATE
4	POST CONSTRUCTION REVISIONS	43733	SM	05.02.02	ATB	05.02.02
3	ISSUED FOR CONSTRUCTION	43733	FC	04.10.28	ATB	04.11.01
2	ISSUED FOR SKID CONSTRUCTION	43733	FC	04.10.28	ATB	04.10.28
1	ISSUED FOR FIELD BID	43733	FC	04.10.15	ATB	04.10.15
0	ISSUED FOR APPROVAL	43733	FC	04.09.30	ATB	04.10.12

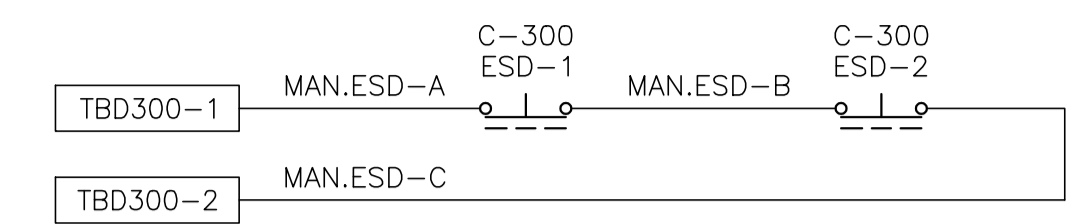
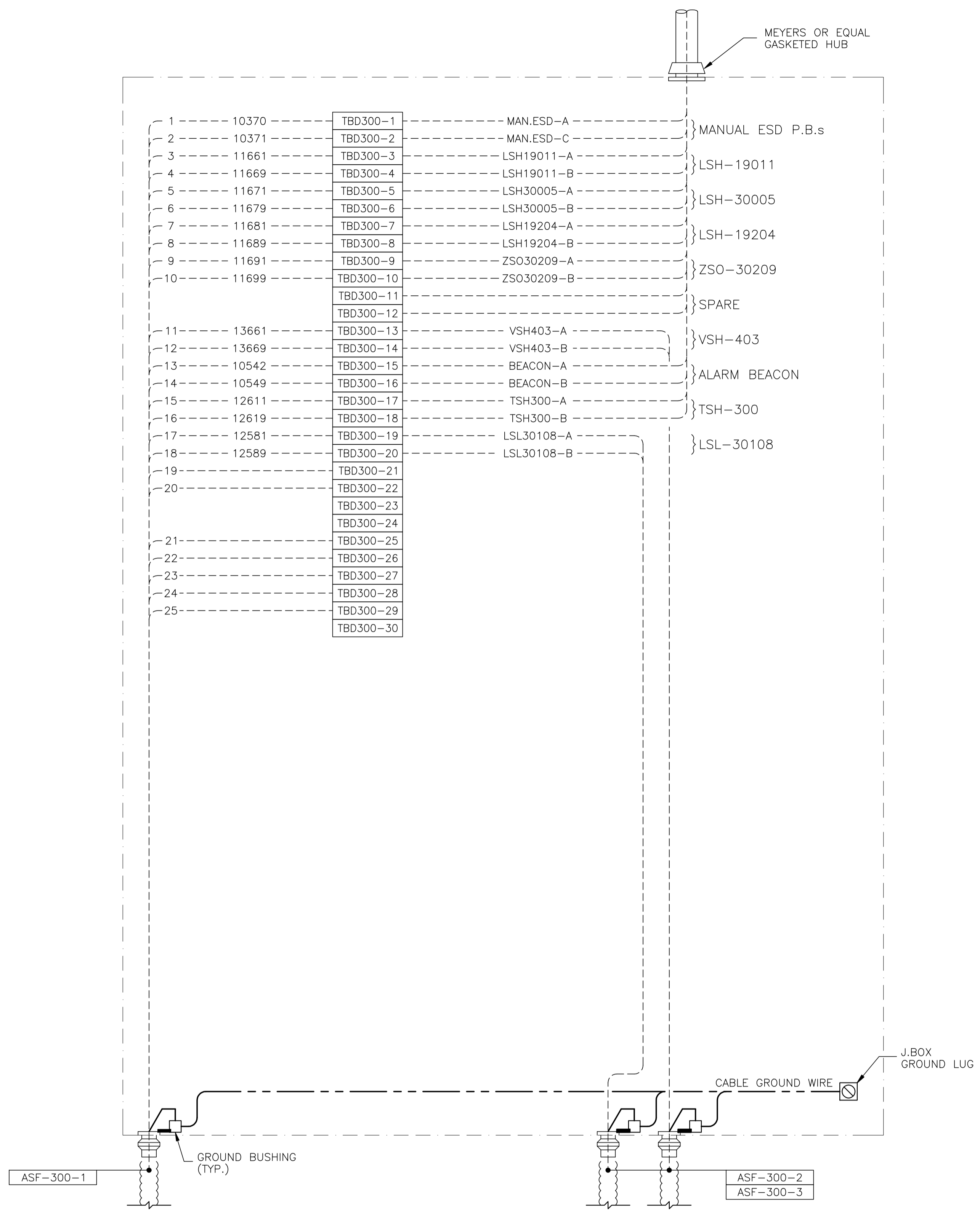
PERMIT STAMP:	STAMP APPLIED TO REV. 3 ONLY
---------------	------------------------------

GENERAL NOTES:
1. "POST CONSTRUCTION DRAWINGS" ARE GENERATED FROM CONSTRUCTION CHANGE INFORMATION FORWARDED TO BOWER DAMBERGER ROLSETH ENGINEERING LTD. BY THE OWNER'S FIELD SUPERVISORS AND/OR FIELD CONTRACTORS. ANY CHANGES NOT DOCUMENTED WILL NOT APPEAR ON THE DRAWINGS AND THEREFORE THE DRAWING MAY NOT BE AN ACCURATE REPRESENTATION OF THE CONSTRUCTED FACILITY.
2. PRIOR TO THE COMMENCEMENT OF ANY CONSTRUCTION AND/OR EXCAVATION IT SHALL BE THE RESPONSIBILITY OF THE OWNER'S REPRESENTATIVE TO VERIFY THE LOCATION AND STATUS OF ANY PIPING, ELECTRICAL, EQUIPMENT OR BUILDINGS.
3. ANY REVISIONS MADE TO EXISTING EQUIPMENT, PIPING OR ELECTRICAL ON A FACILITY NOT DESIGNED BY B.D.R. ENG. LTD. IS ONLY SHOWN AS A REPRESENTATION OF WHAT EXISTS AND MUST BE VERIFIED BY THE OWNER.

DRN.	BY	DATE
CHK.	FC	04.09.30
APP'D.		
L.S.D.	15-10-62-06 WSM	



FORT ENERGY CORPORATION		
CORBETT GAS PLANT		
C-300 AMINE BUILDING J.BOX JBD-300 LAYOUT		
SCALE	DRAWING NUMBER	REV
1 : 2	D-23212-E-16-013	4



ESD BUTTONS WIRING DETAIL

JBD-300 - 24VDC CONTROL

NO.	REVISION	PROJ. No.	BY	DATE	CHK.	DATE
4	POST CONSTRUCTION REVISIONS	43733	SM	05.02.02	ATB	05.02.02
3	ISSUED FOR CONSTRUCTION	43733	FC	04.10.28	ATB	04.11.01
2	ISSUED FOR SKID CONSTRUCTION	43733	FC	04.10.28	ATB	04.10.28
1	ISSUED FOR FIELD BID	43733	FC	04.10.15	ATB	04.10.15
0	ISSUED FOR APPROVAL	43733	FC	04.09.30	ATB	04.10.12

PERMIT STAMP:	STAMP APPLIED TO REV. 3 ONLY
---------------	------------------------------

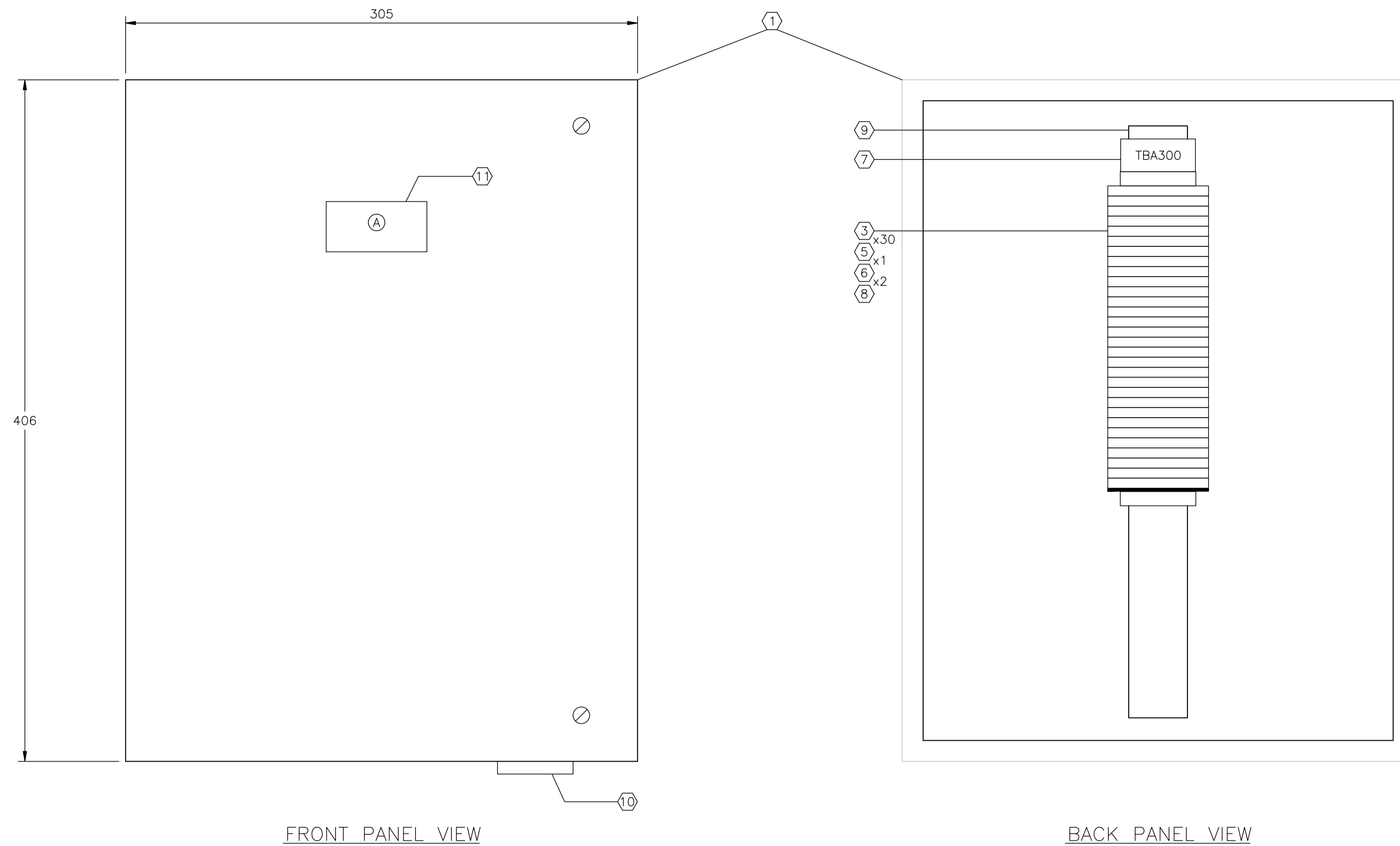
GENERAL NOTES:

- "POST CONSTRUCTION DRAWINGS" ARE GENERATED FROM CONSTRUCTION CHANGE INFORMATION FORWARDED TO BOWER DAMBERGER ROLSETH ENGINEERING LTD. BY THE OWNER'S FIELD SUPERVISORS AND/OR FIELD CONTRACTORS. ANY CHANGES NOT DOCUMENTED WILL NOT APPEAR ON THE DRAWINGS AND THEREFORE THE DRAWING MAY NOT BE AN ACCURATE REPRESENTATION OF THE CONSTRUCTED FACILITY.
- PRIOR TO THE COMMENCEMENT OF ANY CONSTRUCTION AND/OR EXCAVATION IT SHALL BE THE RESPONSIBILITY OF THE OWNER'S REPRESENTATIVE TO VERIFY THE LOCATION AND STATUS OF ANY PIPING, ELECTRICAL, EQUIPMENT OR BUILDINGS.
- ANY REVISIONS MADE TO EXISTING EQUIPMENT, PIPING OR ELECTRICAL ON A FACILITY NOT DESIGNED BY B.D.R. ENG. LTD. IS ONLY SHOWN AS A REPRESENTATION OF WHAT EXISTS AND MUST BE VERIFIED BY THE OWNER.

	BY	DATE
DRN.	FC	04.09.30
CHK.		
APP'D.		
L.S.D.	15-10-62-06	WSM

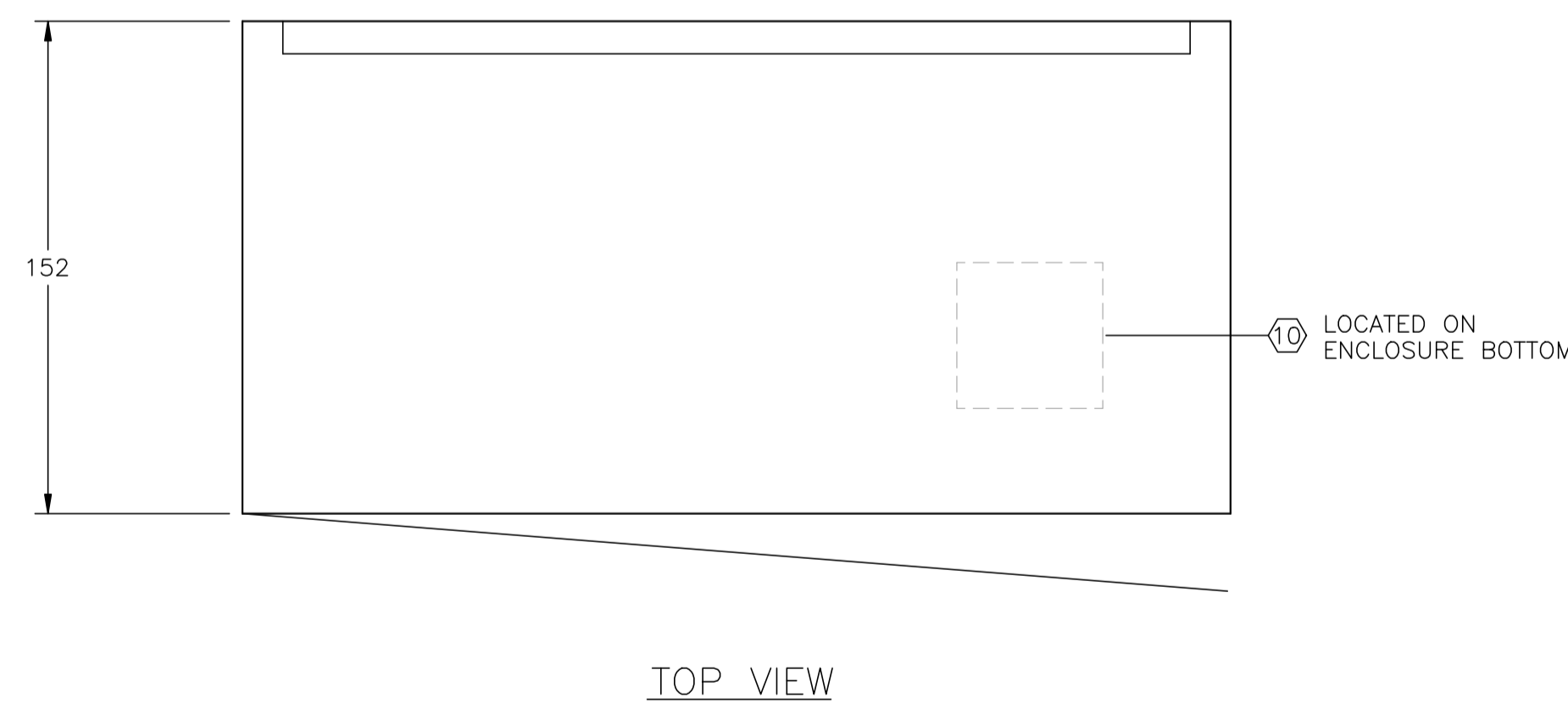
Bower Damberger Rolseth Engineering Ltd.

FORT ENERGY CORPORATION		
CORBETT GAS PLANT		
C-300 AMINE BUILDING J.BOX JBD-300 WIRING DETAIL		
SCALE	DRAWING NUMBER	REV
N/A	D-23212-E-16-014	4



FRONT PANEL VIEW

BACK PANEL VIEW



TOP VIEW

C-300 AMINE BUILDING
JBA-300 - ANALOG
(SEE DWG. E-16-016 FOR WIRING DETAILS)

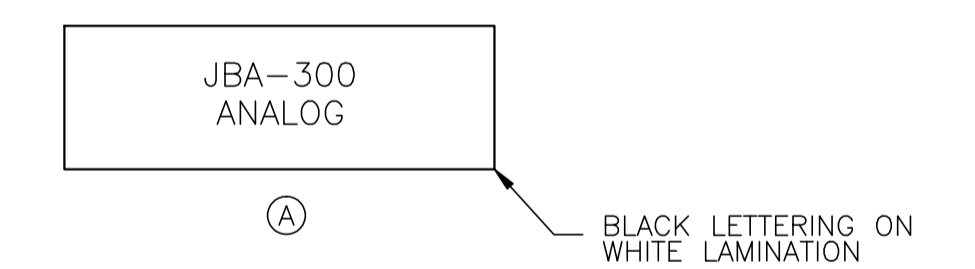
CUSTOM ENCLOSURE BILL OF MATERIALS

ITEM	QTY	DESCRIPTION
1	1	CUSTOM STEEL NEMA 4, WEATHERPROOF RATED ENCLOSURE; - 406mmH x 305mmW x 152mmD (EXTERIOR DIMENSIONS); - FULL HEIGHT DOOR c/w CSD TYPE CLOSURES; - HEAVY DUTY HINGE; - c/w (1) BACKPAN.
2	-	WEIDMULLER WDU-2.5 TERMINALS c/w ACCESSORIES.
3	30	WEIDMULLER WDU-4 TERMINALS c/w ACCESSORIES.
4	-	WEIDMULLER WDU-6 TERMINALS c/w ACCESSORIES.
5	1	WEIDMULLER WAP-2.5/4/6/10 END PLATE.
6	2	WEIDMULLER EW-35 END BRACKET.
7	1	WEIDMULLER SCHAT-5 GROUP TAG HOLDER.
8	AS REQ'D	DEKAFIX MARKING TAG (#1-#30).
9	AS REQ'D	WEIDMULLER TS35 MOUNTING RAIL.
10	1	HOFFMAN #A-NMV6 DRAIN SEAL.
11	1	25mm x 75mm LAMICOID.

CONSTRUCTION - LAYOUT NOTE:

- BACKPAN SIZE TO BE DETERMINED BY PANEL MANUFACTURER BASED ON SPACE UTILIZATION WITH THE SHOWN LAYOUT.
- | | |
|-------------------------------------|---------------------------|
| <input checked="" type="checkbox"/> | AC PANUIT |
| <input type="checkbox"/> | DC PANUIT |
| <input checked="" type="checkbox"/> | INTRINSICALLY SAFE PANUIT |
- PANEL OUTER DIMENSIONS TO BE AS SHOWN ±6mm ANY DEVIATION TO BE APPROVED BY OWNER.
- LAYOUT SHOWN FOR REFERENCE ONLY; ACTUAL EQUIPMENT DIMENSIONS SHALL GOVERN.

LAMICOID/ENGRAVING DETAIL



NO.	REVISION	PROJ. No.	BY	DATE	CHK.	DATE
4	POST CONSTRUCTION REVISIONS	43733	SM	05.02.02	ATB	05.02.02
3	ISSUED FOR CONSTRUCTION	43733	FC	04.10.28	ATB	04.11.01
2	ISSUED FOR SKID CONSTRUCTION	43733	FC	04.10.28	ATB	04.10.28
1	ISSUED FOR FIELD BID	43733	FC	04.10.15	ATB	04.10.15
0	ISSUED FOR APPROVAL	43733	FC	04.09.30	ATB	04.10.12

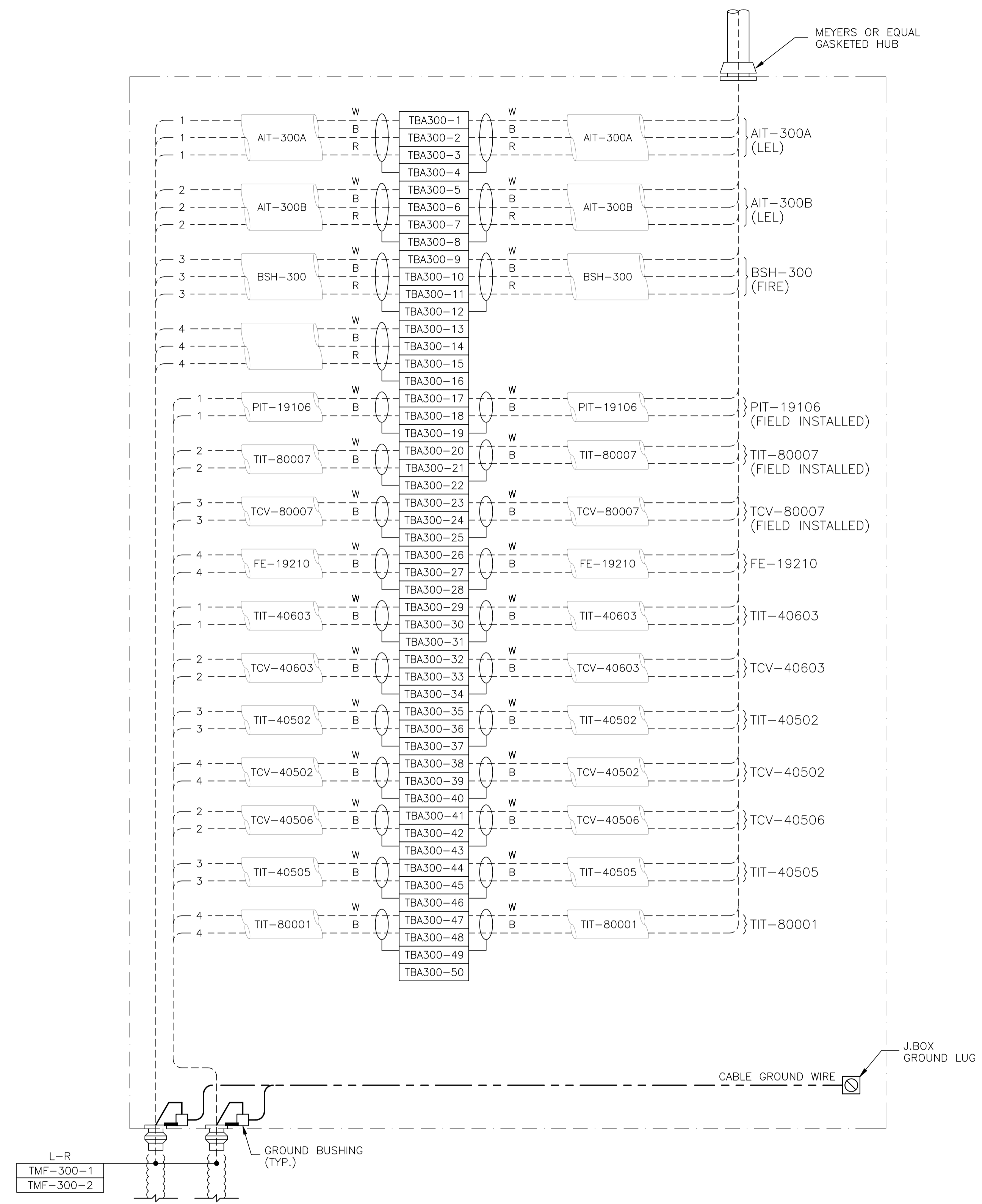
PERMIT STAMP:	STAMP APPLIED TO REV. 3 ONLY

DRN.	BY	DATE
CHK.	FC	04.09.30
APP'D.		
L.S.D.	15-10-62-06 WSM	

bdr
Bower Damberger Rolseth
Engineering Ltd.

FORT ENERGY CORPORATION		
CORBETT GAS PLANT		
C-300 AMINE BUILDING J.BOX JBA-300 LAYOUT		
SCALE	DRAWING NUMBER	REV
1 : 2	D-23212-E-16-015	4

GENERAL NOTES:
1. "POST CONSTRUCTION DRAWINGS" ARE GENERATED FROM CONSTRUCTION CHANGE INFORMATION FORWARDED TO BOWER DAMBERGER ROLSETH ENGINEERING LTD. BY THE OWNER'S FIELD SUPERVISORS AND/OR FIELD CONTRACTORS. ANY CHANGES NOT DOCUMENTED WILL NOT APPEAR ON THE DRAWINGS AND THEREFORE THE DRAWING MAY NOT BE AN ACCURATE REPRESENTATION OF THE CONSTRUCTED FACILITY.
2. PRIOR TO THE COMMENCEMENT OF ANY CONSTRUCTION AND/OR EXCAVATION IT SHALL BE THE RESPONSIBILITY OF THE OWNER'S REPRESENTATIVE TO VERIFY THE LOCATION AND STATUS OF ANY PIPING, ELECTRICAL, EQUIPMENT OR BUILDINGS.
3. ANY REVISIONS MADE TO EXISTING EQUIPMENT, PIPING OR ELECTRICAL ON A FACILITY NOT DESIGNED BY B.D.R. ENG. LTD. IS ONLY SHOWN AS A REPRESENTATION OF WHAT EXISTS AND MUST BE VERIFIED BY THE OWNER.



JBA-300 - ANALOG

NO.	REVISION	PROJ. No.	BY	DATE	CHK.	DATE
4	POST CONSTRUCTION REVISIONS	43733	SM	05.02.02	ATB	05.02.02
3	ISSUED FOR CONSTRUCTION	43733	FC	04.10.28	ATB	04.11.01
2	ISSUED FOR SKID CONSTRUCTION	43733	FC	04.10.28	ATB	04.10.28
1	ISSUED FOR FIELD BID	43733	FC	04.10.15	ATB	04.10.15
0	ISSUED FOR APPROVAL	43733	FC	04.09.30	ATB	04.10.12

PERMIT STAMP:	STAMP APPLIED TO REV. 3 ONLY

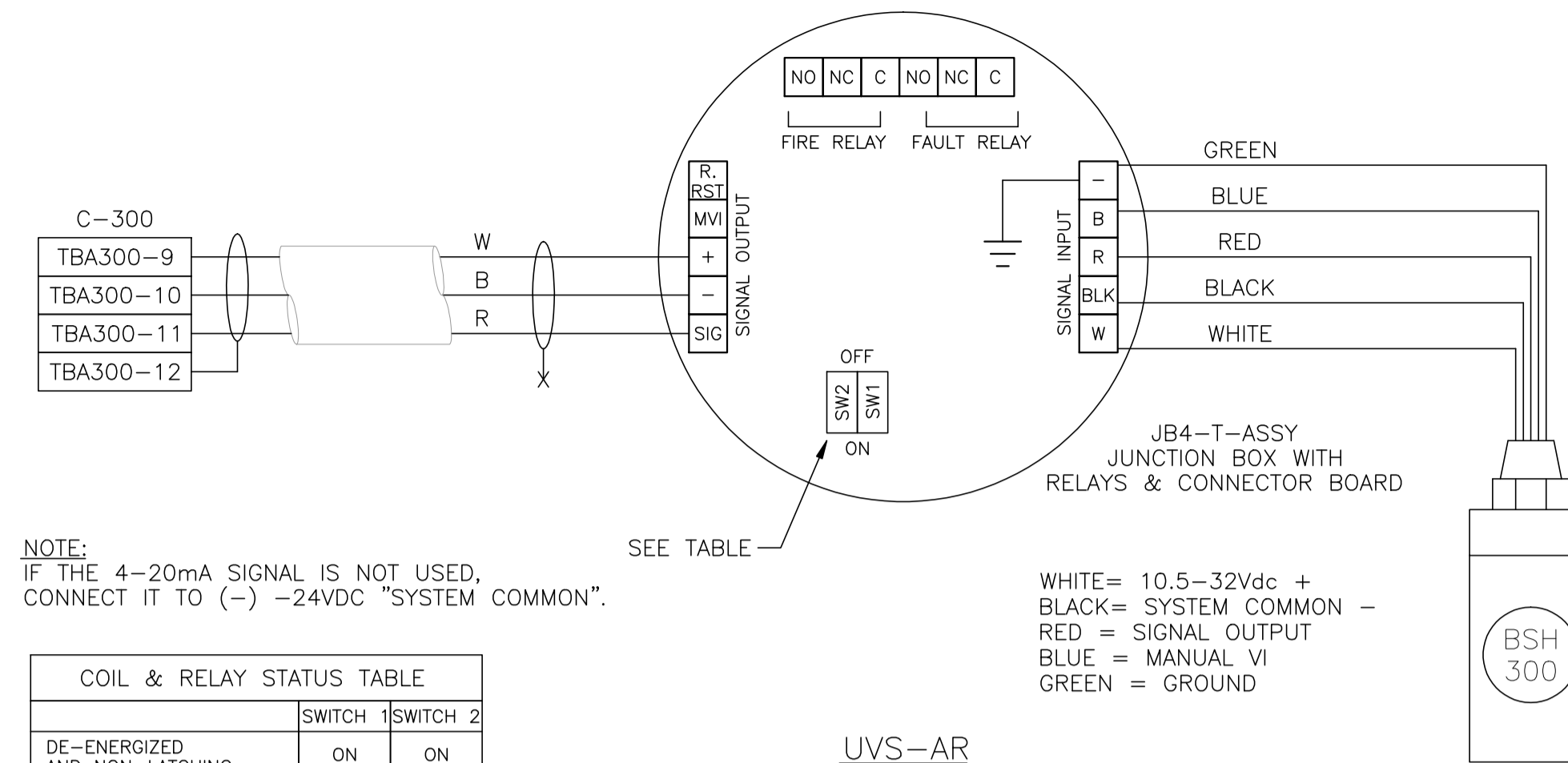
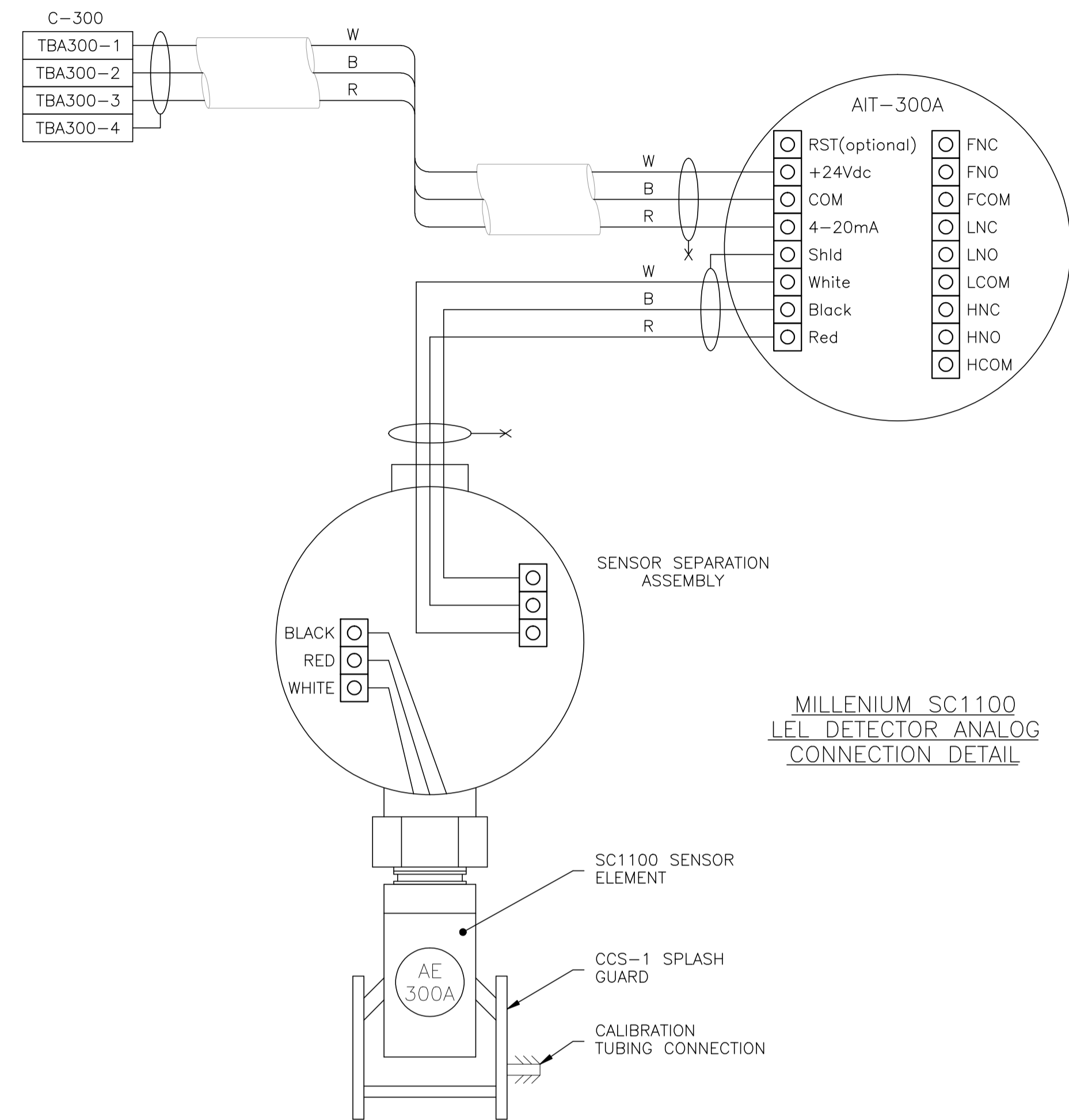
GENERAL NOTES:

- "POST CONSTRUCTION DRAWINGS" ARE GENERATED FROM CONSTRUCTION CHANGE INFORMATION FORWARDED TO BOWER DAMBERGER ROLSETH ENGINEERING LTD. BY THE OWNER'S FIELD SUPERVISORS AND/OR FIELD CONTRACTORS. ANY CHANGES NOT DOCUMENTED WILL NOT APPEAR ON THE DRAWINGS AND THEREFORE THE DRAWING MAY NOT BE AN ACCURATE REPRESENTATION OF THE CONSTRUCTED FACILITY.
- PRIOR TO THE COMMENCEMENT OF ANY CONSTRUCTION AND/OR EXCAVATION IT SHALL BE THE RESPONSIBILITY OF THE OWNER'S REPRESENTATIVE TO VERIFY THE LOCATION AND STATUS OF ANY PIPING, ELECTRICAL EQUIPMENT OR BUILDINGS.
- ANY REVISIONS MADE TO EXISTING EQUIPMENT, PIPING OR ELECTRICAL ON A FACILITY NOT DESIGNED BY B.D.R. ENG. LTD. IS ONLY SHOWN AS A REPRESENTATION OF WHAT EXISTS AND MUST BE VERIFIED BY THE OWNER.

DRN.	BY	DATE
CHK.	FC	04.09.30
APP'D.		
L.S.D.	15-10-62-06 WSM	

Bower Damberger Rolseth Engineering Ltd.

FORT ENERGY CORPORATION		
CORBETT GAS PLANT		
C-300 AMINE BUILDING J.BOX JBA-300 WIRING DETAIL		
SCALE	DRAWING NUMBER	REV
N/A	D-23212-E-16-016	4



NOTE:
IF THE 4-20mA SIGNAL IS NOT USED,
CONNECT IT TO (-) -24VDC "SYSTEM COMMON".

COIL & RELAY STATUS	SWITCH	
	1	2
DE-ENERGIZED AND NON-LATCHING	ON	ON
ENERGIZED AND NON-LATCHING	ON	OFF
DE-ENERGIZED AND LATCHING	OFF	ON
ENERGIZED AND LATCHING	OFF	OFF

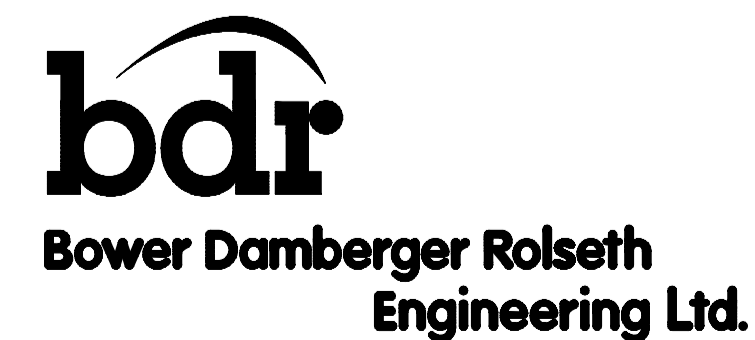
UVS-AR
FIRE DETECTOR
CONNECTION DETAIL
(ANALOG CONNECTION)

NO.	REVISION	PROJ. No.	BY	DATE	CHK.	DATE
4	POST CONSTRUCTION REVISIONS	43733	SM	05.02.02	ATB	05.02.02
3	ISSUED FOR CONSTRUCTION	43733	FC	04.10.28	ATB	04.11.01
2	ISSUED FOR SKID CONSTRUCTION	43733	FC	04.10.28	ATB	04.10.28
1	ISSUED FOR FIELD BID	43733	FC	04.10.15	ATB	04.10.15
0	ISSUED FOR APPROVAL	43733	FC	04.09.30	ATB	04.10.12

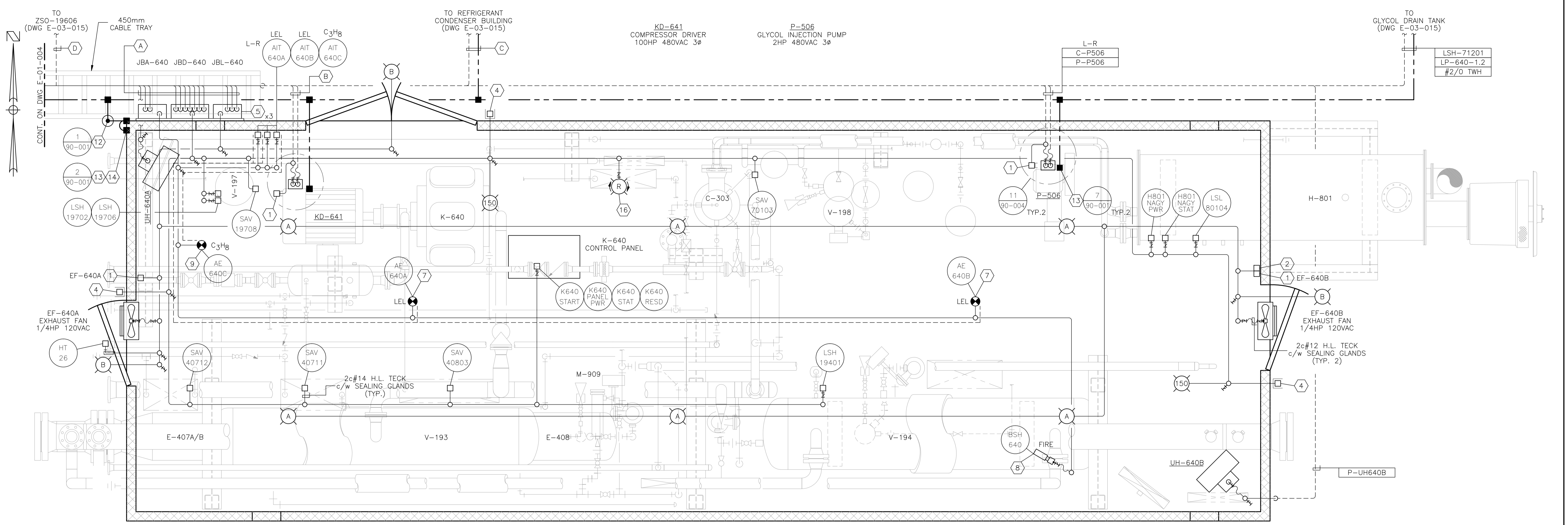
PERMIT STAMP:
STAMP APPLIED TO REV. 3 ONLY

GENERAL NOTES:
1. "POST CONSTRUCTION DRAWINGS" ARE GENERATED FROM CONSTRUCTION CHANGE INFORMATION FORWARDED TO BOWER DAMBERGER ROLSETH ENGINEERING LTD. BY THE OWNER'S FIELD SUPERVISORS AND/OR FIELD CONTRACTORS. ANY CHANGES NOT DOCUMENTED WILL NOT APPEAR ON THE DRAWINGS AND THEREFORE THE DRAWING MAY NOT BE AN ACCURATE REPRESENTATION OF THE CONSTRUCTED FACILITY.
2. PRIOR TO THE COMMENCEMENT OF ANY CONSTRUCTION AND/OR EXCAVATION IT SHALL BE THE RESPONSIBILITY OF THE OWNER'S REPRESENTATIVE TO VERIFY THE LOCATION AND STATUS OF ANY PIPING, ELECTRICAL EQUIPMENT OR BUILDINGS.
3. ANY REVISIONS MADE TO EXISTING EQUIPMENT, PIPING OR ELECTRICAL ON A FACILITY NOT DESIGNED BY B.D.R. ENG. LTD. IS ONLY SHOWN AS A REPRESENTATION OF WHAT EXISTS AND MUST BE VERIFIED BY THE OWNER.

DRN.	BY	DATE
CHK.	FC	04.09.30
APP'D.		
L.S.D.	15-10-62-06 WSM	



FORT ENERGY CORPORATION		
CORBETT GAS PLANT		
C-300 AMINE BUILDING GAS DETECTION DETAIL		
SCALE	DRAWING NUMBER	REV
N/A	D-23212-E-16-017	4



BILL OF MATERIALS
(AS REQUIRED)

FIXTURES

- A. CROUSE HINDS #EVLPA143151 120V, 150W HIGH PRESSURE SODIUM, PENDANT MOUNT FIXTURE c/w GLOBE, GUARD AND LAMP. CLASS 1, ZONE 1 & 2, EXPLOSION PROOF.
- B. CROUSE HINDS #VXHB25GP 120V, 150W INCANDESCENT, WALL MOUNT FIXTURE c/w GLOBE, GUARD, JUNCTION BOX AND LAMP. CLASS 1, DIV 2, FOR WET LOCATIONS.

MATERIALS

- 1. CROUSE HINDS #DSFS933 ON/OFF SWITCH, 277VAC, 20AMPS MAX. SINGLE POLE. CLASS 1, DIV 1, EXPLOSION PROOF, FACTORY SEALED.
- 2. CROUSE HINDS #CPS152R DELAYED ACTION RECEPTACLE, 115-250VAC, 20AMPS, 1HP MAX. CLASS 1, DIV 1, EXPLOSION PROOF.
- 3. RUFFNECK ELECTRIC UNIT HEATER, 480VAC, 3Ø c/w BUILT IN THERMOSTAT, SIZED AS REQUIRED, EXPLOSION PROOF. (OWNER SUPPLIED)
- 4. CROUSE HINDS CEAG #GHG432KLMQSGT551211/2511 ESD PUSHBUTTON c/w RED SHROUD AND MIN. 4" x 6" ESD WARNING LAMICOID. CLASS 1, ZONE 1, EXPLOSION PROOF.
- 5. NEMA 4 STEEL ENCLOSURE SIZED AS PER DRAWING c/w BACK PAN, TERMINAL BLOCKS AND MOUNTING HARDWARE.
- 6. HOFFMAN #A-NMV6 JUNCTION BOX DRAIN SEAL.
- 7. NET SAFETY MOD. #MLP-A-SC1100-SEP MILLENNIUM PROPANE GAS DETECTOR, 24VDC c/w 4-20ma SIGNAL OUTPUT, SEPARATOR KIT AND CCS-1 SPLASH GUARD.
- 8. NET SAFETY MOD. #UVS-AR STAND ALONE UV FIRE DETECTOR, 24VDC c/w 4-20ma SIGNAL OUTPUT, RELAY OUTPUT BOARD, SWIVEL AND JB4-UV-T ASSY.
- 9. NET SAFETY MOD. #MLP-A-SC1100-SEP MILLENNIUM PROPANE GAS DETECTOR, 24VDC c/w 4-20ma SIGNAL OUTPUT, SEPARATOR KIT AND CCS-1 SPLASH GUARD.
- 10. #2/0-#2/0 C-TAP SPLICE, INSTALLED c/w TAPE AND GLYPTOL SPRAY.
- 11. #2/0-#2 C-TAP SPLICE, INSTALLED c/w TAPE AND GLYPTOL SPRAY.
- 12. 300mm x 75mm COPPER CLUB GROUND RODS c/w - GROUND WELL; - INSPECTION COVER; - GROUND ROD (#2/0).
- 13. GROUNDING SERVIT POST - #2/0 OR #2 AS REQUIRED.
- 14. BUILDING BONDING PLATE c/w #2 CRIMP-ON LUG.

- 15. CROUSE HINDS #HRC2, CLASS 1, DIV 1 & DIV 2 HEATING AND COOLING BIMETALLIC THERMOSTAT.
- 16. REFRIGE ALARM BEACON 24VDC, CLASS 1, ZONE 1.

NOTES:

- 1. ALL WIRING TO THE SKID DEVICES SHALL BE TAKEN FROM THE RIGHT-HAND SIDE OF THE TERMINALS, DIRECT WITHOUT SPLICES OF ANY KIND.
- 2. WIRING FOR ALL DEVICES SHALL BE TAGGED AS PER J.BOX LAYOUTS.
- 3. FIELD CONTRACTOR TO ENSURE ALL INCOMING/EXITING TECK CABLES ARE c/w GROUNDING BUSHINGS.
- 4. ALL J.BOXES ARE TO HAVE LAMICOID NAME PLATES AS PER DRAWINGS.
- 5. FIELD CONTRACTOR WILL BE RESPONSIBLE FOR GROUNDING AS WELL AS THE PACKING AND POURING OF ALL SEALS. THIS APPLIES WHETHER OR NOT THE SKID ARRIVES PRE-WIRED.
- 6. CONDUIT METHOD WILL BE RA c/w ALL FITTINGS.
- 7. ALL CABLES TO ENTER/EXIT THE BOTTOM OF THE J.BOXES. ALL CONDUIT TO ENTER/EXIT THE TOP OF THE J.BOXES VIA MYERS HUB.
- 8. THE INTERIOR OF THIS SKID IS CLASSIFIED CLASS-I ZONE-1. THE EXTERIOR OF THIS SKID IS CLASSIFIED CLASS-I ZONE-2 FOR THE FIRST 3 METERS.
- 9. INSTALLATION TO BE DONE ACCORDING TO GENERAL SPEC. INCLUDED WITH BID PACKAGE.
- 10. LEL DETECTORS TO BE INSTALLED USING OWNER SUPPLIED SEPARATION KITS. SEPARATION KITS TO BE MOUNTED ON WALL AT APPROXIMATELY 1500mm TO CENTER.
- 11. ALL VERTICAL CABLE TRAY RISERS ARE TO BE COMPLETE WITH PROPER SUPPORTS AND ALUMINUM TRAY COVER.
- 12. WINDOWS AND DOORS ARE NOT TO BE USED FOR VENTILATION.

REFRIGERATION BUILDING
4267 x 12192
EAVE HEIGHT - 3658

A	L-R	P-UH640A
		TMF-640-1
		TMF-640-2
		ASF-640-1
		ASF-640-2
		VSH-40902
		VSH-40903
		LSH-71201
		ZSO-19606
		AS-640-1.1
		LPF-640-1
		LP-640-1.1
		LP-640-1.2

B	L-R	C-KD641
		P-KD641

C	P-E409A
	C-E409A
	P-E409B
	C-E409B
	LP-640-1.1
	VSH-40902
	VSH-40903
	#2/0 TWH

D	ZSO-19606
---	-----------

NO.	REVISION	PROJ. No.	BY	DATE	CHK.	DATE
3	POST CONSTRUCTION REVISIONS	43733	SM	05.02.02	ATB	05.02.02
2	ISSUED FOR CONSTRUCTION	43733	FC	04.10.28	ATB	04.11.01
1	ISSUED FOR FIELD BID	43733	FC	04.10.15	ATB	04.10.15
0	ISSUED FOR APPROVAL	43733	FC	04.10.04	ATB	04.10.12

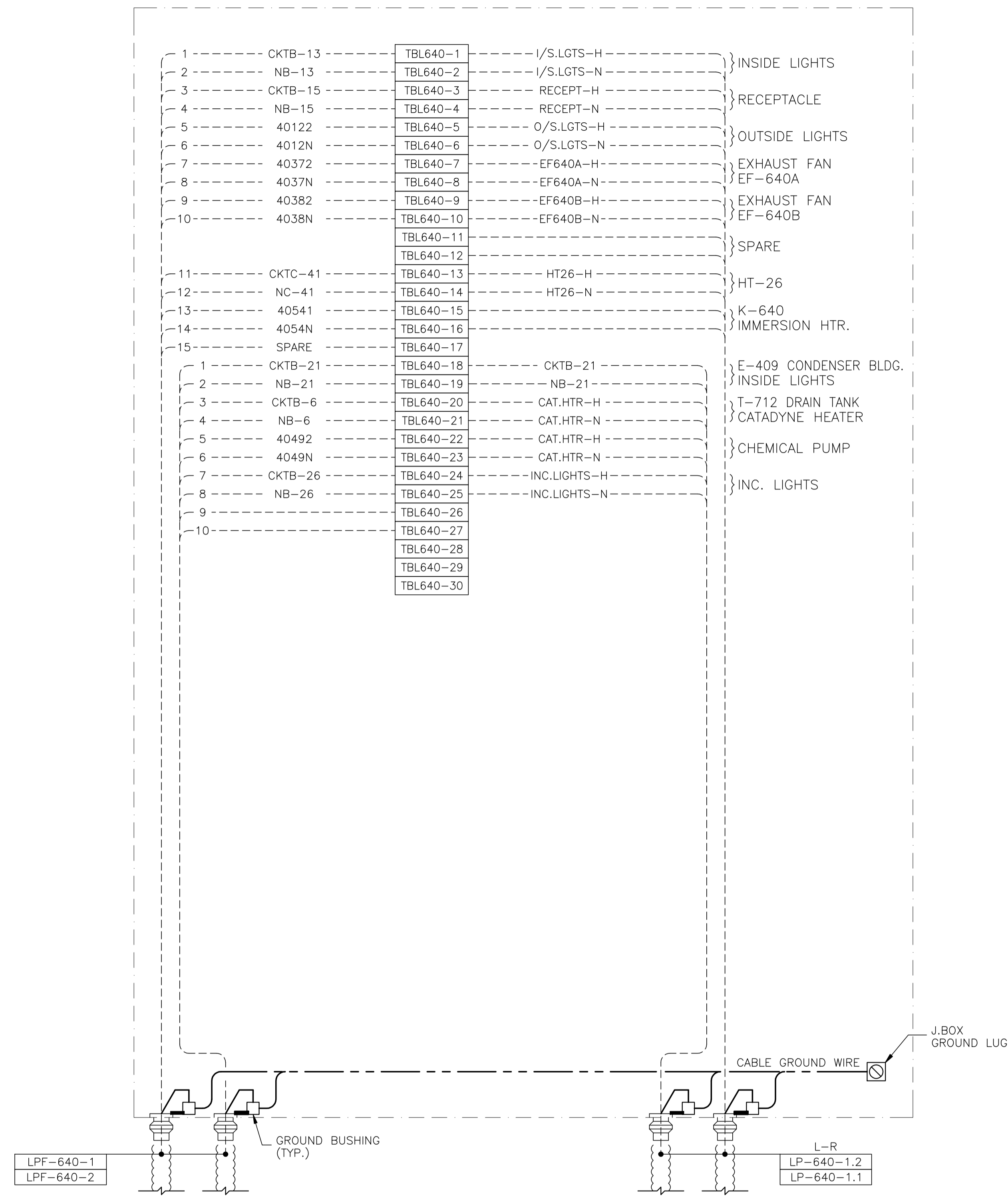
PERMIT STAMP:	STAMP APPLIED TO REV. 2 ONLY
----------------------	------------------------------

GENERAL NOTES:

DRN.	FC	DATE	04.10.04
CHK.			
APP'D.			
L.S.D.	15-10-62-06 WSM		



FORT ENERGY CORPORATION		
CORBETT GAS PLANT		
K-640 REFRIGERATION BUILDING ELECTRICAL LAYOUT		
SCALE	DRAWING NUMBER	REV
1 : 20	D-23212-E-17-001	3



JBL-640 - 120VAC UTILITIES

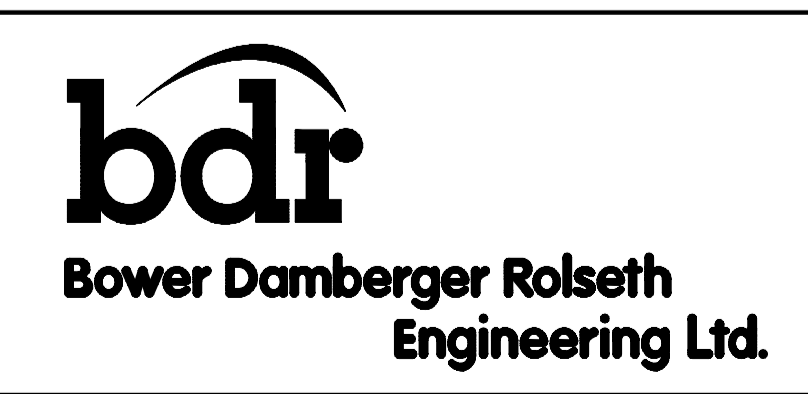
NO.	REVISION	PROJ. No.	BY	DATE	CHK.	DATE
3	POST CONSTRUCTION REVISIONS	43733	SM	05.02.02	ATB	05.02.02
2	ISSUED FOR CONSTRUCTION	43733	FC	04.10.28	ATB	04.11.01
1	ISSUED FOR FIELD BID	43733	FC	04.10.15	ATB	04.10.15
0	ISSUED FOR APPROVAL	43733	FC	04.09.30	ATB	04.10.12

PERMIT STAMP:	STAMP APPLIED TO REV. 2 ONLY

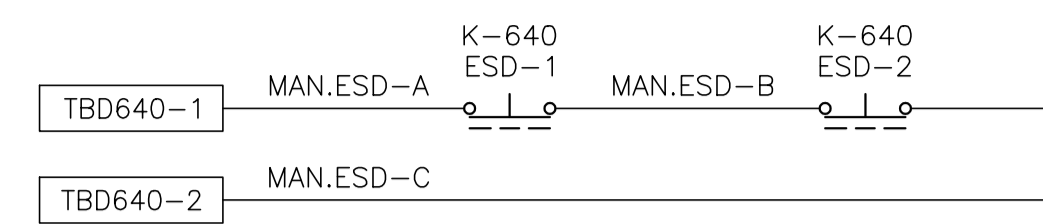
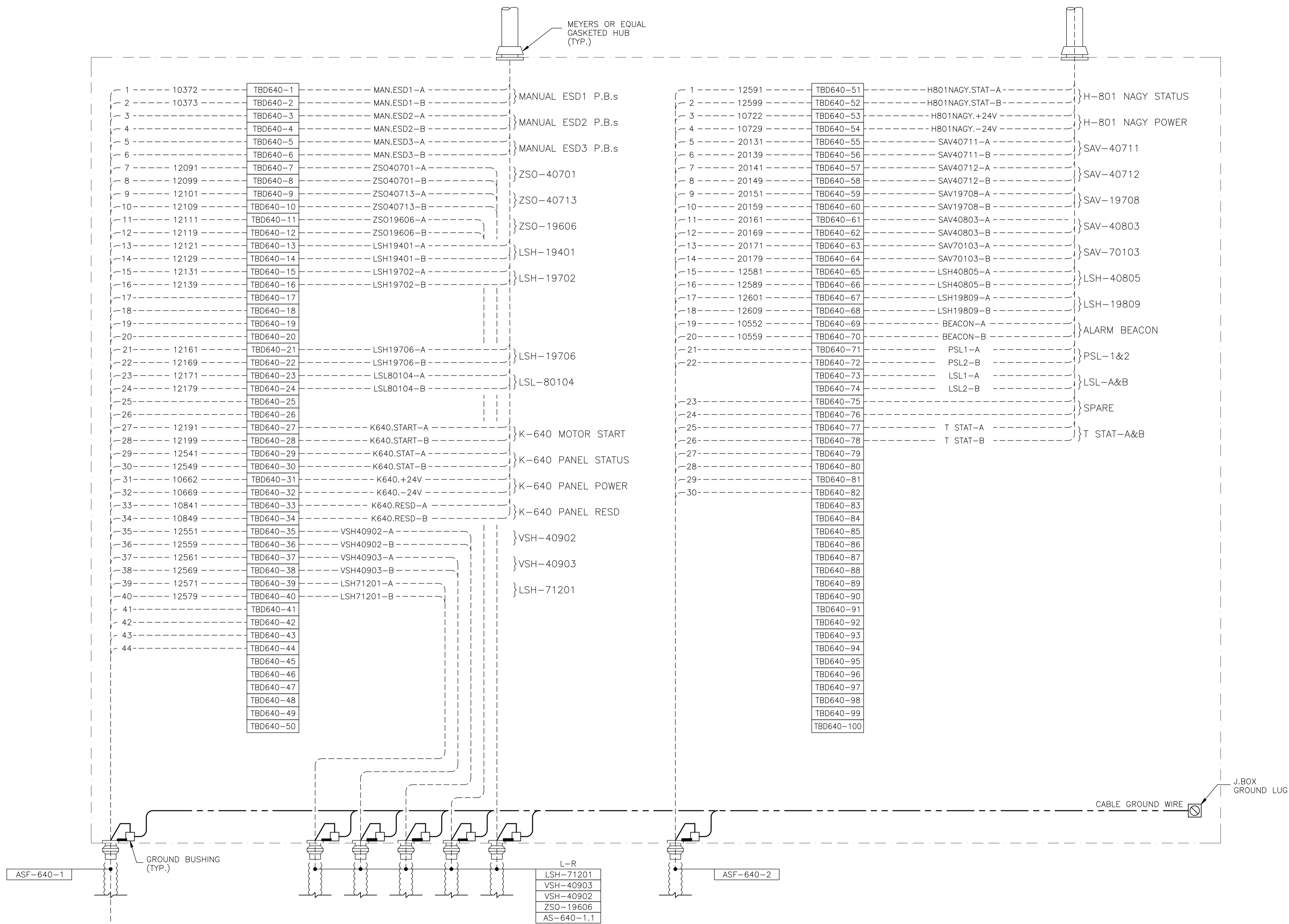
GENERAL NOTES:

- "POST CONSTRUCTION DRAWINGS" ARE GENERATED FROM CONSTRUCTION CHANGE INFORMATION FORWARDED TO BOWER DAMBERGER ROLSETH ENGINEERING LTD. BY THE OWNER'S FIELD SUPERVISORS AND/OR BIDDING CONTRACTORS. ANY CHANGES NOT DOCUMENTED WILL NOT APPEAR ON THE DRAWINGS AND THEREFORE THE DRAWING MAY NOT BE AN ACCURATE REPRESENTATION OF THE CONSTRUCTED FACILITY.
- PRIOR TO THE COMMENCEMENT OF ANY CONSTRUCTION AND/OR EXCAVATION IT SHALL BE THE RESPONSIBILITY OF THE OWNER'S REPRESENTATIVE TO VERIFY THE LOCATION AND STATUS OF ANY PIPING, ELECTRICAL EQUIPMENT OR BUILDINGS.
- ANY REVISIONS MADE TO EXISTING EQUIPMENT, PIPING OR ELECTRICAL ON A FACILITY NOT DESIGNED BY B.D.R. ENG. LTD. IS ONLY SHOWN AS A REPRESENTATION OF WHAT EXISTS AND MUST BE VERIFIED BY THE OWNER.

DRN.	BY	DATE
CHK.	FC	04.09.30
APP'D.		
L.S.D.	15-10-62-06	WSM



FORT ENERGY CORPORATION		
CORBETT GAS PLANT		
K-640 REFRIGERATION BUILDING J.BOX JBL-640 WIRING DETAIL		
SCALE	DRAWING NUMBER	REV
N/A	D-23212-E-17-012	3



ESD BUTTONS WIRING DETAIL

JBD-640 - 24VDC CONTROL

NO.	REVISION	PROJ. No.	BY	DATE	CHK.	DATE
3	POST CONSTRUCTION REVISIONS	43733	SM	05.02.02	ATB	05.02.02
2	ISSUED FOR CONSTRUCTION	43733	FC	04.10.28	ATB	04.11.01
1	ISSUED FOR FIELD BID	43733	FC	04.10.15	ATB	04.10.15
0	ISSUED FOR APPROVAL	43733	FC	04.09.30	ATB	04.10.12

PERMIT STAMP:					

STAMP APPLIED TO REV. 2 ONLY

GENERAL NOTES:

1. "POST CONSTRUCTION DRAWINGS" ARE GENERATED FROM CONSTRUCTION CHANGE INFORMATION FORWARDED TO BOWER DAMBERGER ROLSETH ENGINEERING LTD. BY THE OWNER'S FIELD SUPERVISORS AND/OR MISC. CONTRACTORS. ANY CHANGES NOT DOCUMENTED WILL NOT APPEAR ON THE DRAWINGS AND THEREFORE THE DRAWING MAY NOT BE AN ACCURATE REPRESENTATION OF THE CONSTRUCTED FACILITY.

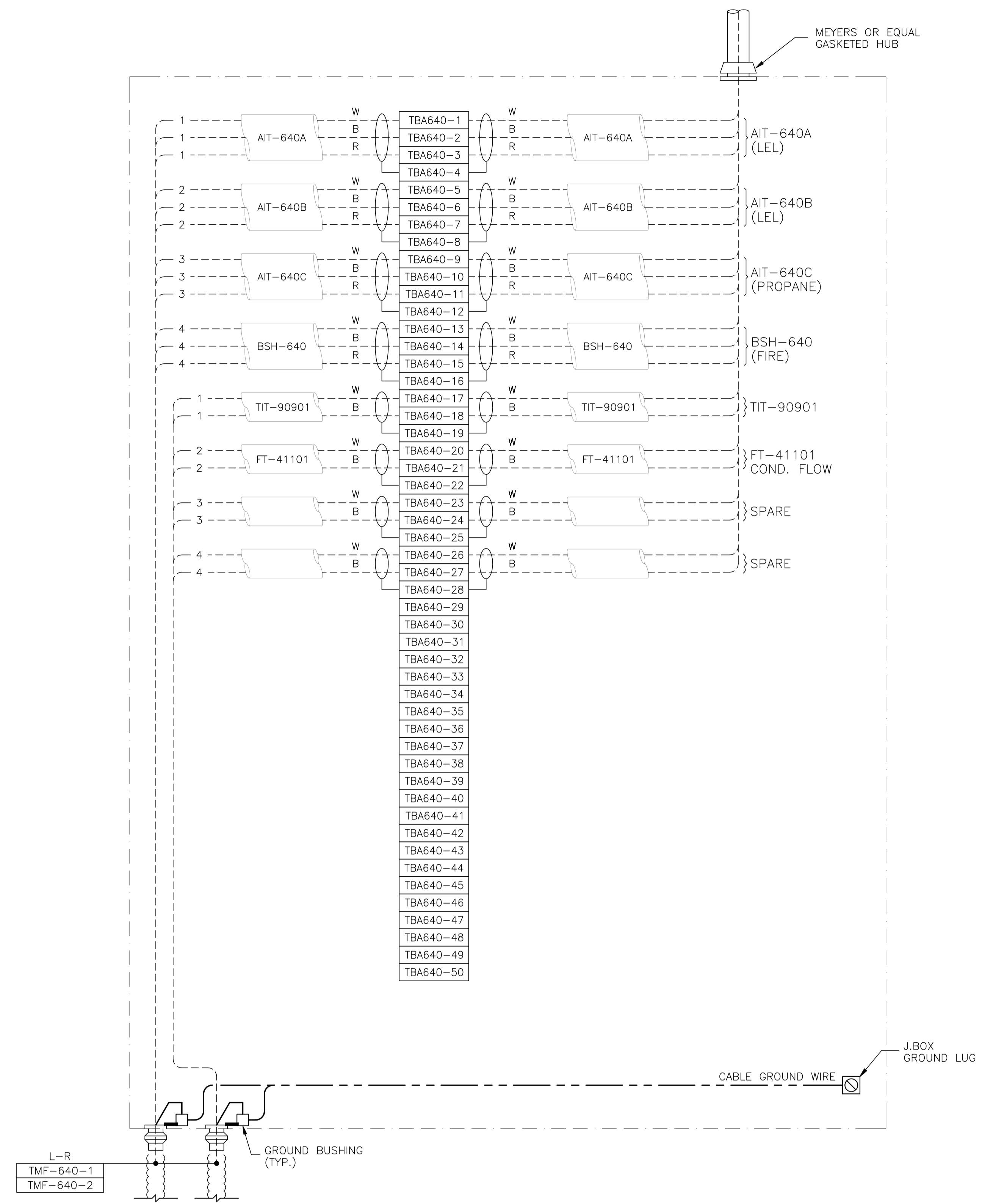
2. PRIOR TO THE COMMENCEMENT OF ANY CONSTRUCTION AND/OR EXCAVATION IT SHALL BE THE RESPONSIBILITY OF THE OWNER'S REPRESENTATIVE TO VERIFY THE LOCATION AND STATUS OF ANY PIPING, ELECTRICAL, EQUIPMENT OR BUILDINGS.

3. ANY REVISIONS MADE TO EXISTING EQUIPMENT, PIPING OR ELECTRICAL ON A FACILITY NOT DESIGNED BY B.D.R. ENG. LTD. IS ONLY SHOWN AS A REPRESENTATION OF WHAT EXISTS AND MUST BE VERIFIED BY THE OWNER.

DRN.	BY	DATE
CHK.	FC	04.09.30
APP'D.		
L.S.D.	15-10-62-06 WSM	

Bower Damberger Rolseth Engineering Ltd.

FORT ENERGY CORPORATION		
CORBETT GAS PLANT		
K-640 REFRIDGE BUILDING J.BOX JBD-640 WIRING DETAIL		
SCALE	DRAWING NUMBER	REV
N/A	D-23212-E-17-014	3



JBA-640 - ANALOG

NO.	REVISION	PROJ. No.	BY	DATE	CHK.	DATE
3	POST CONSTRUCTION REVISIONS	43733	SM	05.02.02	ATB	05.02.02
2	ISSUED FOR CONSTRUCTION	43733	FC	04.10.28	ATB	04.11.01
1	ISSUED FOR FIELD BID	43733	FC	04.10.15	ATB	04.10.15
0	ISSUED FOR APPROVAL	43733	FC	04.09.30	ATB	04.10.12

PERMIT STAMP:	STAMP APPLIED TO REV. 2 ONLY

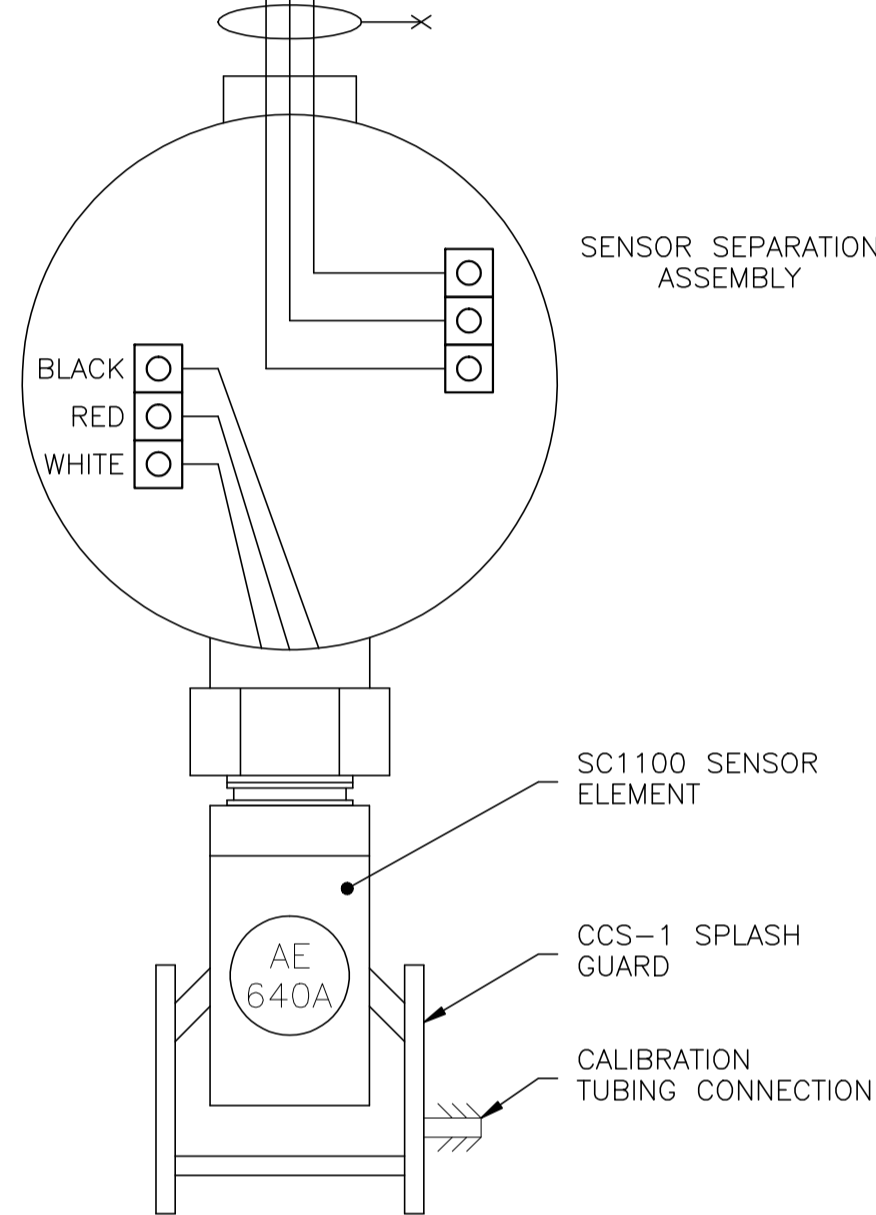
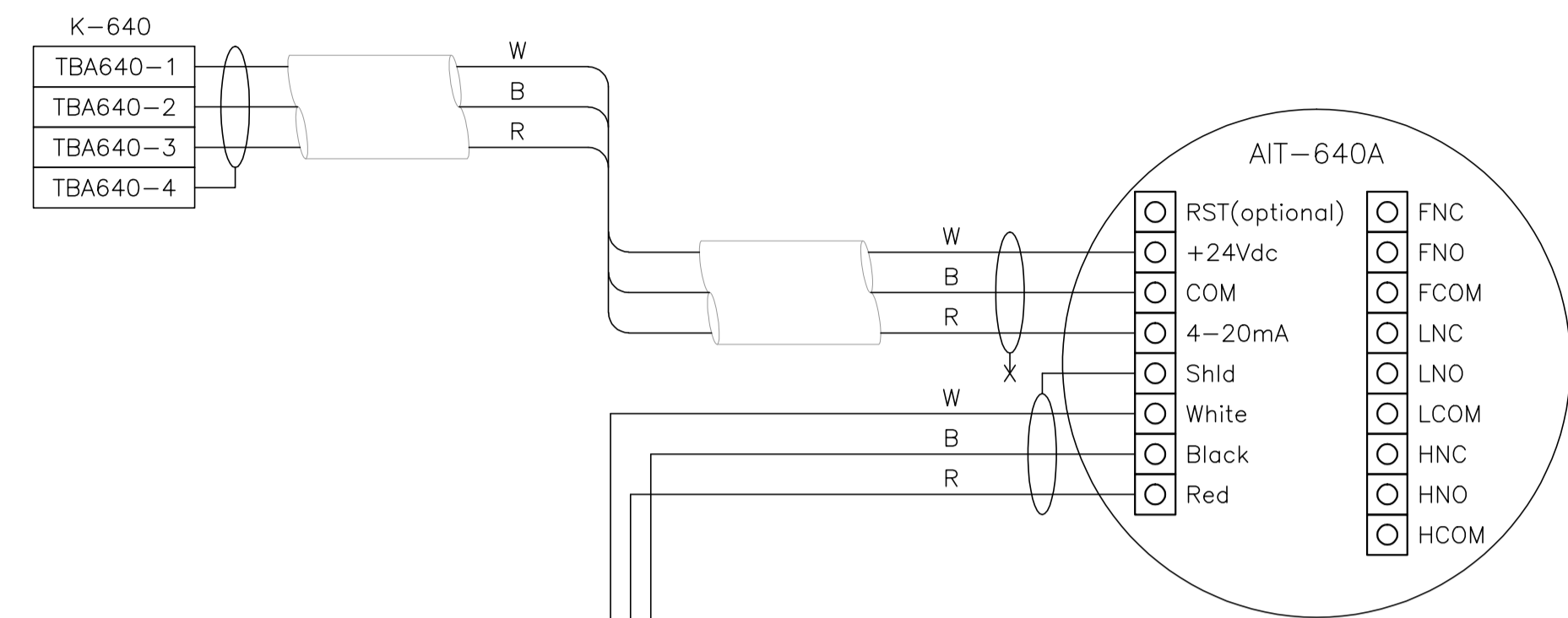
GENERAL NOTES:

- "POST CONSTRUCTION DRAWINGS" ARE GENERATED FROM CONSTRUCTION CHANGE INFORMATION FORWARDED TO BOWER DAMBERGER ROLSETH ENGINEERING LTD. BY THE OWNER'S FIELD SUPERVISORS AND/OR FIELD CONTRACTORS. ANY CHANGES NOT DOCUMENTED WILL NOT APPEAR ON THE DRAWINGS AND THEREFORE THE DRAWING MAY NOT BE AN ACCURATE REPRESENTATION OF THE CONSTRUCTED FACILITY.
- PRIOR TO THE COMMENCEMENT OF ANY CONSTRUCTION AND/OR EXCAVATION IT SHALL BE THE RESPONSIBILITY OF THE OWNER'S REPRESENTATIVE TO VERIFY THE LOCATION AND STATUS OF ANY PIPING, ELECTRICAL EQUIPMENT OR BUILDINGS.
- ANY REVISIONS MADE TO EXISTING EQUIPMENT, PIPING OR ELECTRICAL ON A FACILITY NOT DESIGNED BY B.D.R. ENG. LTD. IS ONLY SHOWN AS A REPRESENTATION OF WHAT EXISTS AND MUST BE VERIFIED BY THE OWNER.

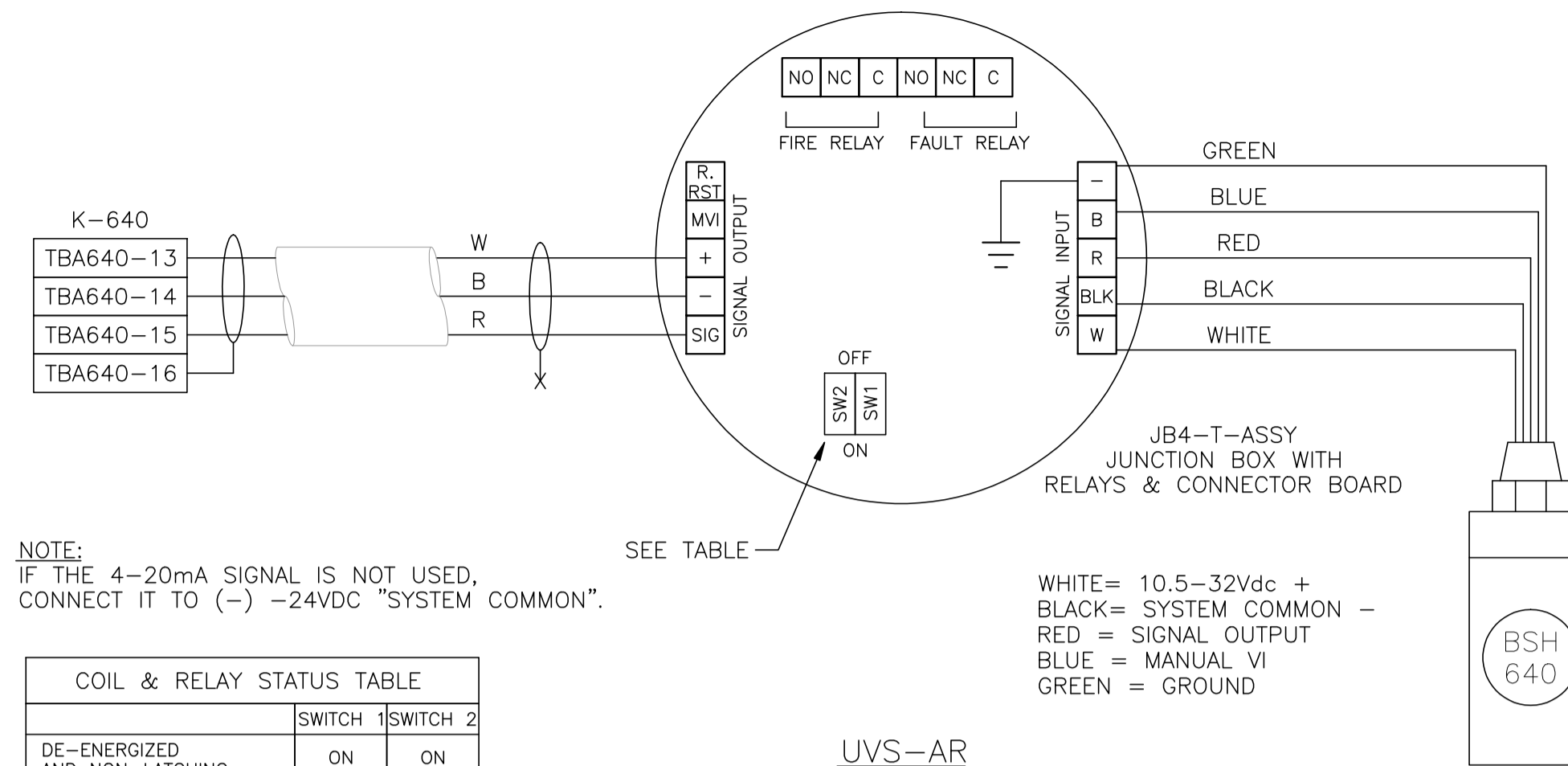
DRN.	BY	DATE
CHK.	FC	04.09.30
APP'D.		
L.S.D.	15-10-62-06	WSM

Bower Damberger Rolseth Engineering Ltd.

FORT ENERGY CORPORATION		
CORBETT GAS PLANT		
K-640 REFRIGERATION BUILDING J.BOX JBA-640 WIRING DETAIL		
SCALE	DRAWING NUMBER	REV
N/A	D-23212-E-17-016	3



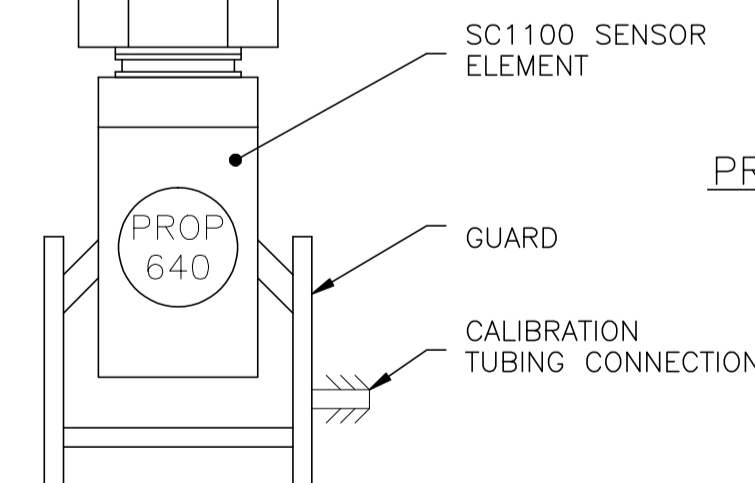
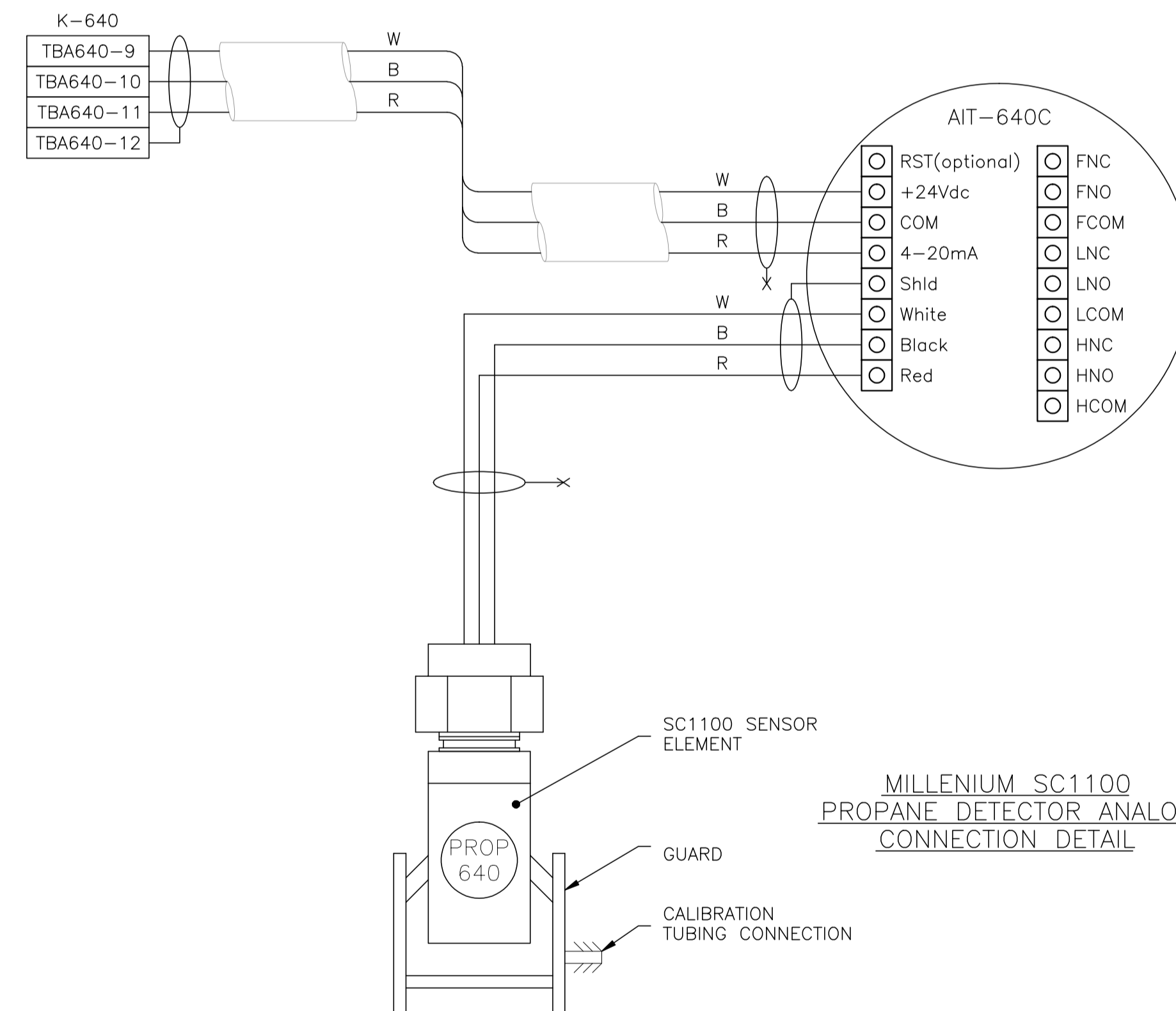
MILLENNIUM SC1100
LEL DETECTOR ANALOG
CONNECTION DETAIL



NOTE:
IF THE 4-20mA SIGNAL IS NOT USED,
CONNECT IT TO (-) -24VDC "SYSTEM COMMON".

COIL & RELAY STATUS	SWITCH 1	SWITCH 2
DE-ENERGIZED AND NON-LATCHING	ON	ON
ENERGIZED AND NON-LATCHING	ON	OFF
DE-ENERGIZED AND LATCHING	OFF	ON
ENERGIZED AND LATCHING	OFF	OFF

UVS-AR
FIRE DETECTOR
CONNECTION DETAIL
(ANALOG CONNECTION)



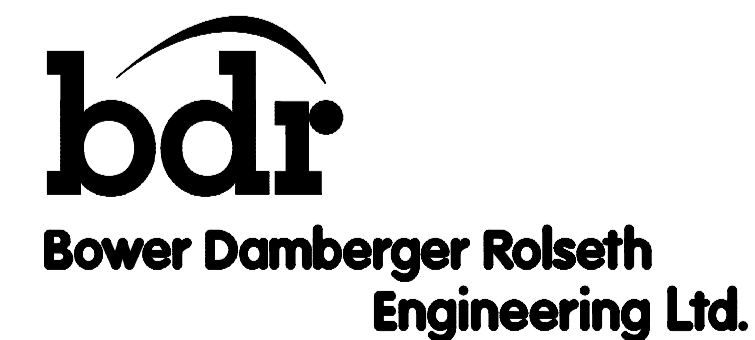
MILLENNIUM SC1100
PROPANE DETECTOR ANALOG
CONNECTION DETAIL

NO.	REVISION	PROJ. No.	BY	DATE	CHK.	DATE
3	POST CONSTRUCTION REVISIONS	43733	SM	05.02.02	ATB	05.02.02
2	ISSUED FOR CONSTRUCTION	43733	FC	04.10.28	ATB	04.11.01
1	ISSUED FOR FIELD BID	43733	FC	04.10.15	ATB	04.10.15
0	ISSUED FOR APPROVAL	43733	FC	04.09.30	ATB	04.10.12

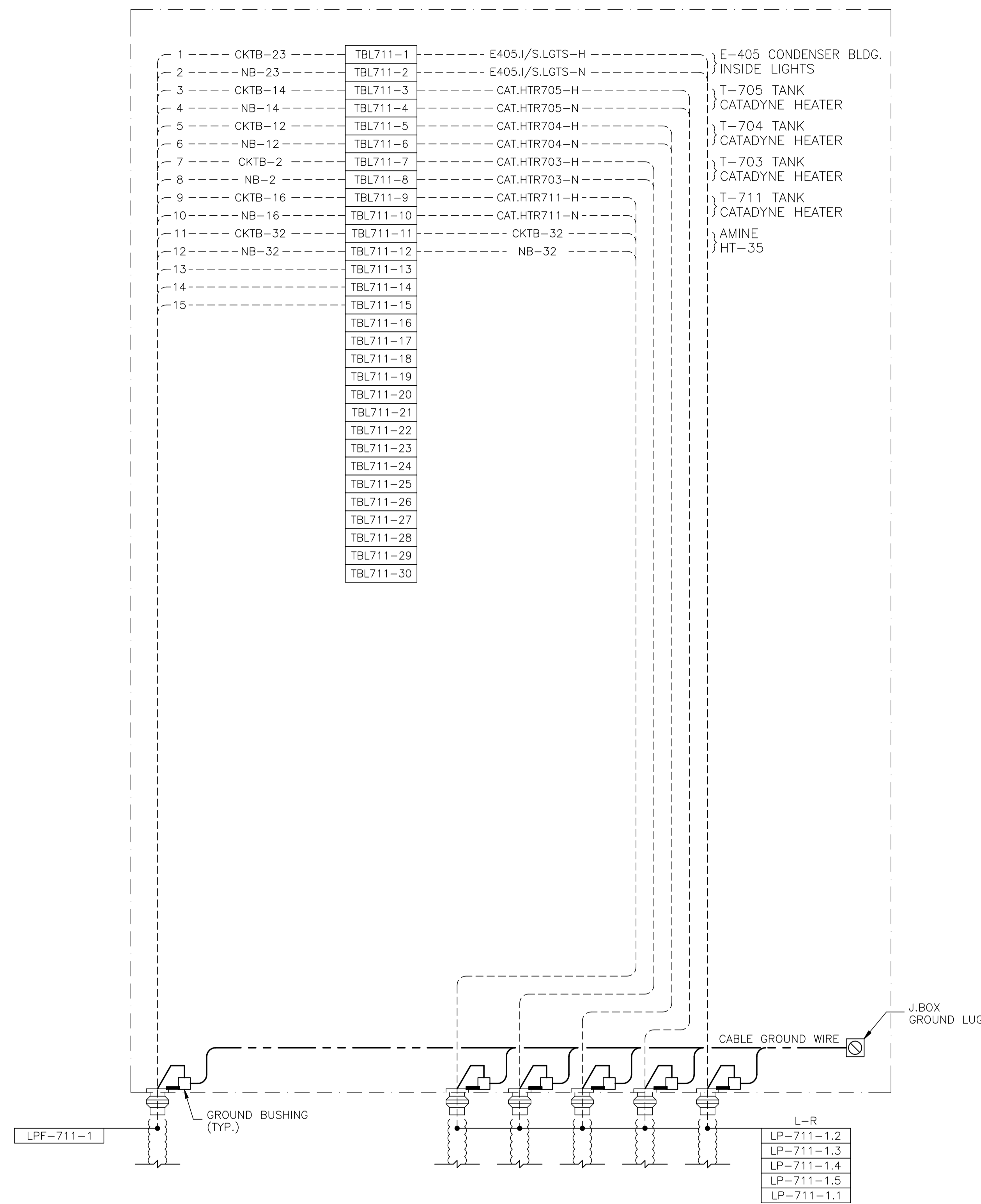
PERMIT STAMP:	STAMP APPLIED TO REV. 2 ONLY
---------------	------------------------------

GENERAL NOTES:
1. "POST CONSTRUCTION DRAWINGS" ARE GENERATED FROM CONSTRUCTION CHANGE INFORMATION FORWARDED TO BOWER DAMBERGER ROLSETH ENGINEERING LTD. BY THE OWNER'S FIELD SUPERVISORS AND OR FIELD CONTRACTORS. ANY CHANGES NOT DOCUMENTED WILL NOT APPEAR ON THE DRAWINGS AND THEREFORE THE DRAWING MAY NOT BE AN ACCURATE REPRESENTATION OF THE CONTROLLED FACILITY.
2. PRIOR TO THE COMMENCEMENT OF ANY CONSTRUCTION AND OR EXCAVATION IT SHALL BE THE RESPONSIBILITY OF THE OWNER'S REPRESENTATIVE TO VERIFY THE LOCATION AND STATUS OF ANY PIPING, ELECTRICAL EQUIPMENT OR BUILDINGS.
3. ANY REVISIONS MADE TO EXISTING EQUIPMENT, PIPING OR ELECTRICAL ON A FACILITY NOT DESIGNED BY B.D.R. ENG. LTD. IS ONLY SHOWN AS A REPRESENTATION OF WHAT EXISTS AND MUST BE VERIFIED BY THE OWNER.

DRN.	BY	DATE
CHK.	FC	04.09.30
APP'D.		
L.S.D.	15-10-62-06 WSM	



FORT ENERGY CORPORATION		
CORBETT GAS PLANT		
K-640 REFRIGERATION BUILDING GAS DETECTION DETAIL		
SCALE	DRAWING NUMBER	REV
N/A	D-23212-E-17-017	3



NOTE:
REFER TO DWG E-03-012/013 FOR ELECTRICAL
EQUIPMENT LAYOUT.

JBL-711 - 120VAC UTILITIES

NO.	REVISION	PROJ. No.	BY	DATE	CHK.	DATE
3	POST CONSTRUCTION REVISIONS	43733	SM	05.02.02	ATB	05.02.02
2	ISSUED FOR CONSTRUCTION	43733	FC	04.10.28	ATB	04.11.01
1	ISSUED FOR FIELD BID	43733	FC	04.10.15	ATB	04.10.15
0	ISSUED FOR APPROVAL	43733	FC	04.09.30	ATB	04.10.04

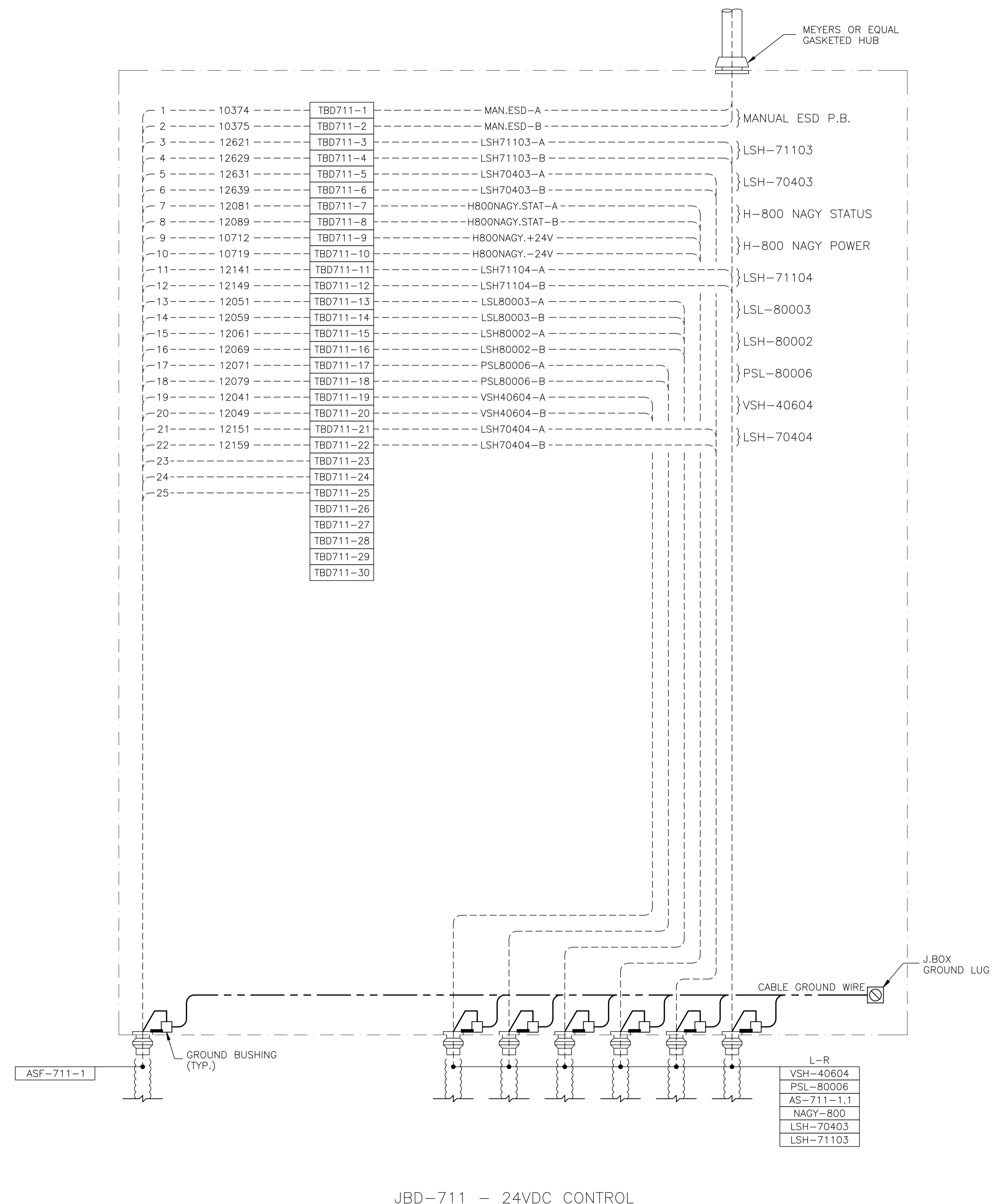
PERMIT STAMP:	STAMP APPLIED TO REV. 2 ONLY
---------------	------------------------------

GENERAL NOTES:
1. "POST CONSTRUCTION DRAWINGS" ARE GENERATED FROM CONSTRUCTION CHANGE INFORMATION FORWARDED TO BOWER DAMBERGER ROLSETH ENGINEERING LTD. BY THE OWNER'S FIELD SUPERVISORS AND/OR BIDDING CONTRACTORS. ANY CHANGES NOT DOCUMENTED WILL NOT APPEAR ON THE DRAWINGS AND THEREFORE THE DRAWING MAY NOT BE AN ACCURATE REPRESENTATION OF THE CONSTRUCTED FACILITY.
2. PRIOR TO THE COMMENCEMENT OF ANY CONSTRUCTION AND/OR EXCAVATION IT SHALL BE THE RESPONSIBILITY OF THE OWNER'S REPRESENTATIVE TO VERIFY THE LOCATION AND STATUS OF ANY PIPING, ELECTRICAL, EQUIPMENT OR BUILDINGS.
3. ANY REVISIONS MADE TO EXISTING EQUIPMENT, PIPING OR ELECTRICAL ON A FACILITY NOT DESIGNED BY B.D.R. ENG. LTD. IS ONLY SHOWN AS A REPRESENTATION OF WHAT EXISTS AND MUST BE VERIFIED BY THE OWNER.

DRN.	BY	DATE
CHK.	FC	04.09.30
APP'D.		
L.S.D.	15-10-62-06 WSM	



FORT ENERGY CORPORATION		
CORBETT GAS PLANT		
T-711 SOUTH TANK FARM AREA J.BOX JBL-711 WIRING DETAIL		
SCALE	DRAWING NUMBER	REV
N/A	D-23212-E-18-012	3



NOTE:
REFER TO DWG E-03-012/013 FOR ELECTRICAL
EQUIPMENT LAYOUT.

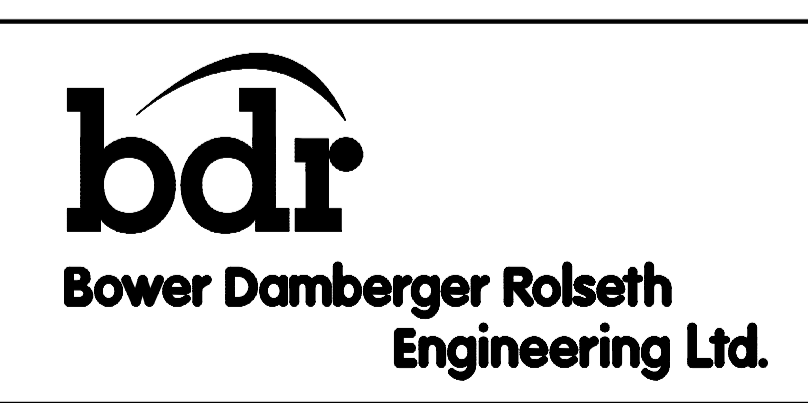
JBD-711 - 24VDC CONTROL

NO.	REVISION	PROJ. No.	BY	DATE	CHK.	DATE
3	POST CONSTRUCTION REVISIONS	43733	SM	05.02.02	ATB	05.02.02
2	ISSUED FOR CONSTRUCTION	43733	FC	04.10.28	ATB	04.11.01
1	ISSUED FOR FIELD BID	43733	FC	04.10.15	ATB	04.10.15
0	ISSUED FOR APPROVAL	43733	FC	04.09.30	ATB	04.10.04

PERMIT STAMP:	STAMP APPLIED TO REV. 2 ONLY
---------------	------------------------------

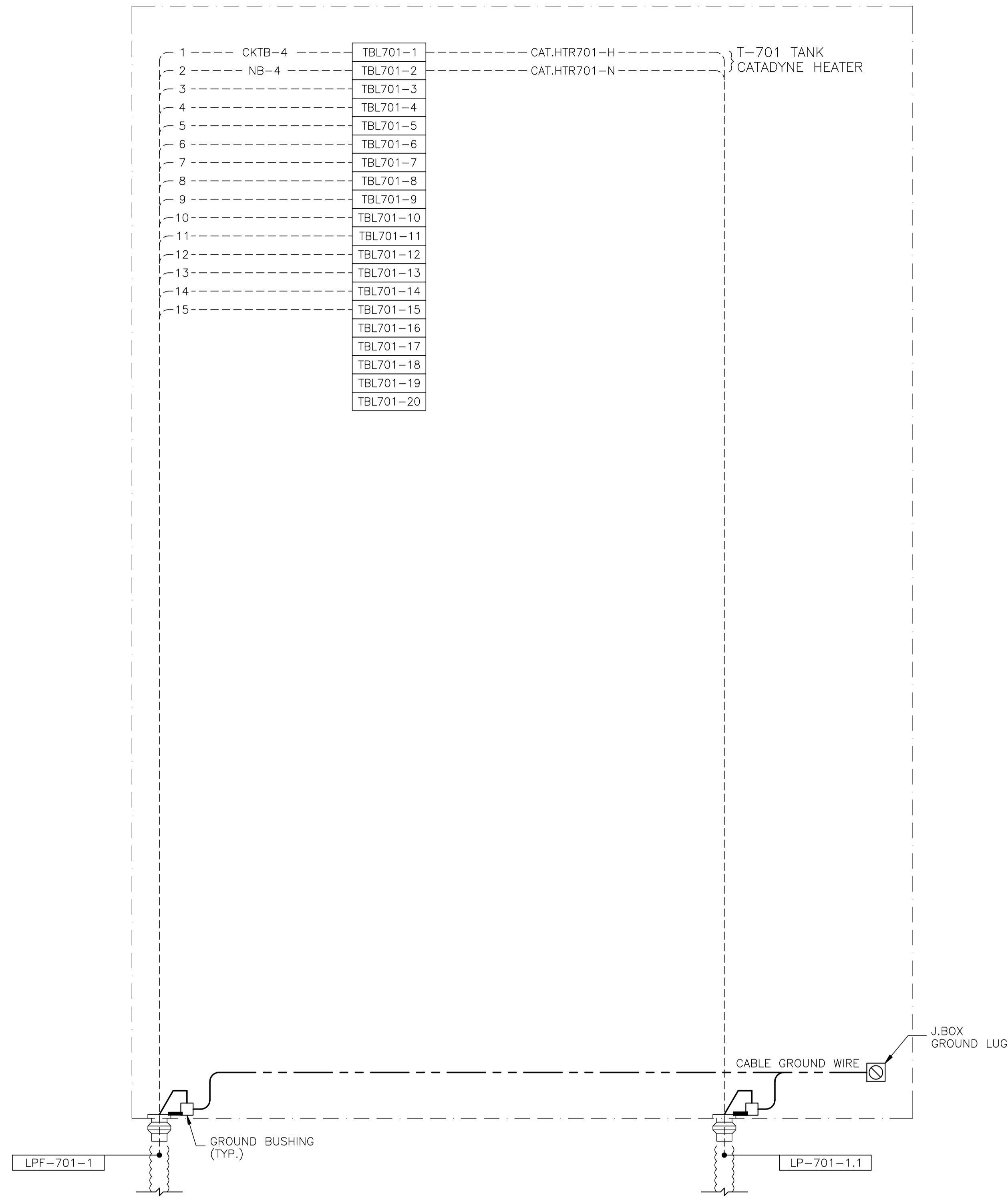
GENERAL NOTES:
1. "POST CONSTRUCTION DRAWINGS" ARE GENERATED FROM CONSTRUCTION CHANGE INFORMATION FORWARDED TO BOWER DAMBERGER ROLSETH ENGINEERING LTD. BY THE OWNER'S FIELD SUPERVISORS AND/OR FIELD CONTRACTORS. ANY CHANGES NOT DOCUMENTED WILL NOT APPEAR ON THE DRAWINGS AND THEREFORE THE DRAWING MAY NOT BE AN ACCURATE REPRESENTATION OF THE CONSTRUCTED FACILITY.
2. PRIOR TO THE COMMENCEMENT OF ANY CONSTRUCTION AND/OR EXCAVATION IT SHALL BE THE RESPONSIBILITY OF THE OWNER'S REPRESENTATIVE TO VERIFY THE LOCATION AND STATUS OF ANY PIPING, ELECTRICAL EQUIPMENT OR BUILDINGS.
3. ANY REVISIONS MADE TO EXISTING EQUIPMENT, PIPING OR ELECTRICAL ON A FACILITY NOT DESIGNED BY B.D.R. ENG. LTD. IS ONLY SHOWN AS A REPRESENTATION OF WHAT EXISTS AND MUST BE VERIFIED BY THE OWNER.

DRN.	BY	DATE
CHK.	FC	04.09.30
APP'D.		
L.S.D.	15-10-62-06 WSM	



FORT ENERGY CORPORATION		
CORBETT GAS PLANT		
T-711 SOUTH TANK FARM AREA J.BOX JBD-711 WIRING DETAIL		
SCALE	DRAWING NUMBER	REV
N/A	D-23212-E-18-014	3

NOTE:
REFER TO DWG E-03-004 FOR ELECTRICAL
EQUIPMENT LAYOUT.



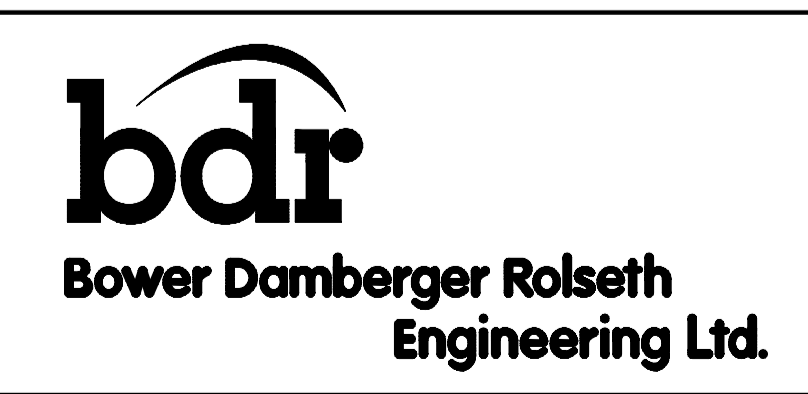
JBL-701 - 120VAC UTILITIES

NO.	REVISION	PROJ. No.	BY	DATE	CHK.	DATE
3	POST CONSTRUCTION REVISIONS	43733	SM	05.02.02	ATB	05.02.02
2	ISSUED FOR CONSTRUCTION	43733	FC	04.10.28	ATB	04.11.01
1	ISSUED FOR FIELD BID	43733	FC	04.10.15	ATB	04.10.15
0	ISSUED FOR APPROVAL	43733	FC	04.09.30	ATB	04.10.04

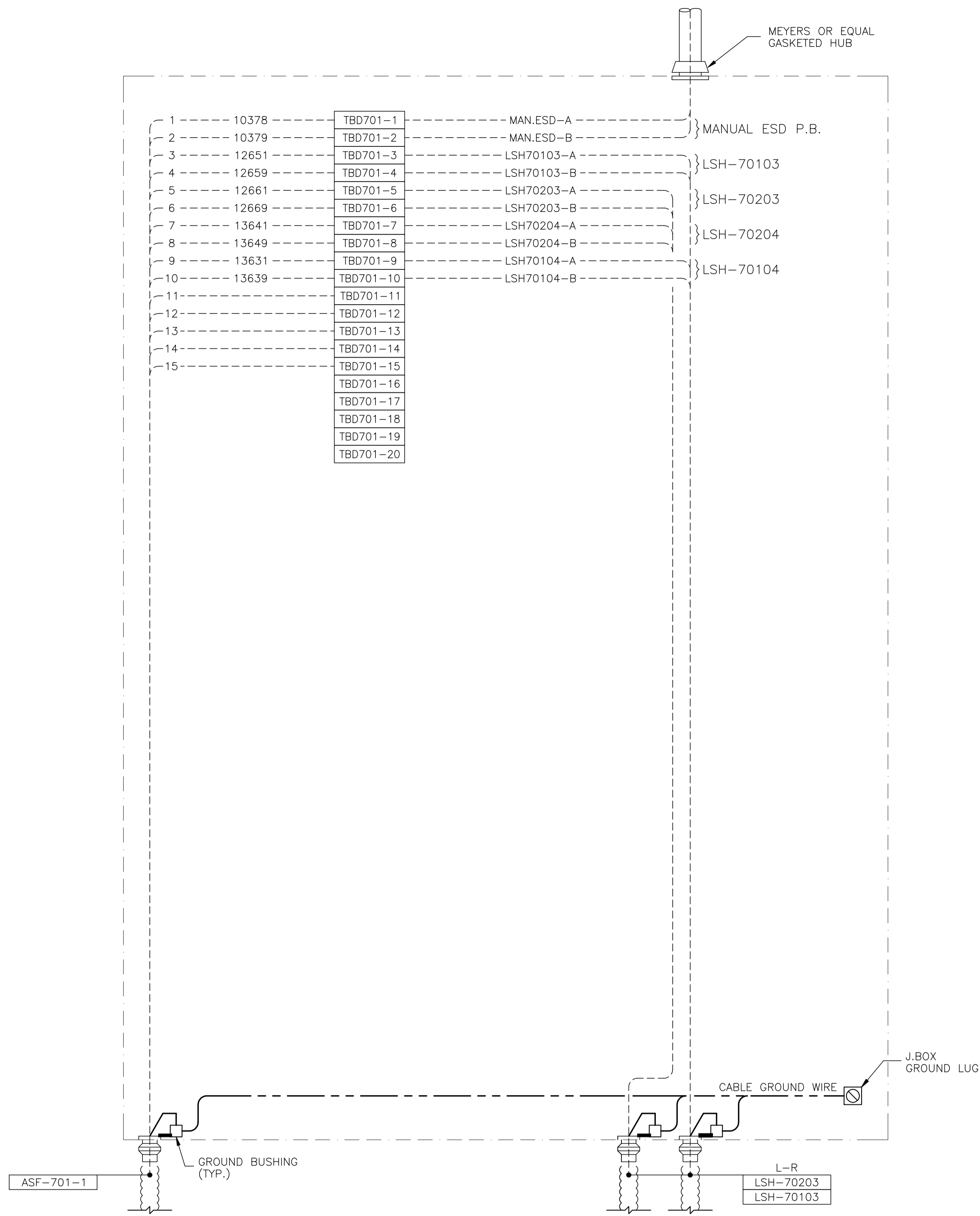
PERMIT STAMP:	STAMP APPLIED TO REV. 2 ONLY
---------------	------------------------------

GENERAL NOTES:
1. "POST CONSTRUCTION DRAWINGS" ARE GENERATED FROM CONSTRUCTION CHANGE INFORMATION FORWARDED TO BOWER DAMBERGER ROLSETH ENGINEERING LTD. BY THE OWNER'S FIELD SUPERVISORS AND/OR BIDDING CONTRACTORS. ANY CHANGES NOT DOCUMENTED WILL NOT APPEAR ON THE DRAWINGS AND THEREFORE THE DRAWING MAY NOT BE AN ACCURATE REPRESENTATION OF THE CONSTRUCTED FACILITY.
2. PRIOR TO THE COMMENCEMENT OF ANY CONSTRUCTION AND/OR EXCAVATION IT SHALL BE THE RESPONSIBILITY OF THE OWNER'S REPRESENTATIVE TO VERIFY THE LOCATION AND STATUS OF ANY PIPING, ELECTRICAL, EQUIPMENT OR BUILDINGS.
3. ANY REVISIONS MADE TO EXISTING EQUIPMENT, PIPING OR ELECTRICAL ON A FACILITY NOT DESIGNED BY B.D.R. ENG. LTD. IS ONLY SHOWN AS A REPRESENTATION OF WHAT EXISTS AND MUST BE VERIFIED BY THE OWNER.

	BY	DATE
DRN.	FC	04.09.30
CHK.		
APP'D.		
L.S.D.	15-10-62-06	WSM



FORT ENERGY CORPORATION		
CORBETT GAS PLANT		
T-701 NORTH TANK FARM AREA J.BOX JBL-701 WIRING DETAIL		
SCALE	DRAWING NUMBER	REV
N/A	D-23212-E-19-012	3



NOTE:
REFER TO DWG E-03-004 FOR ELECTRICAL
EQUIPMENT LAYOUT.

JBD-701 - 24VDC CONTROL

NO.	REVISION	PROJ. No.	BY	DATE	CHK.	DATE
3	POST CONSTRUCTION REVISIONS	43733	SM	05.02.02	ATB	05.02.02
2	ISSUED FOR CONSTRUCTION	43733	FC	04.10.28	ATB	04.11.01
1	ISSUED FOR FIELD BID	43733	FC	04.10.15	ATB	04.10.15
0	ISSUED FOR APPROVAL	43733	FC	04.09.30	ATB	04.10.04

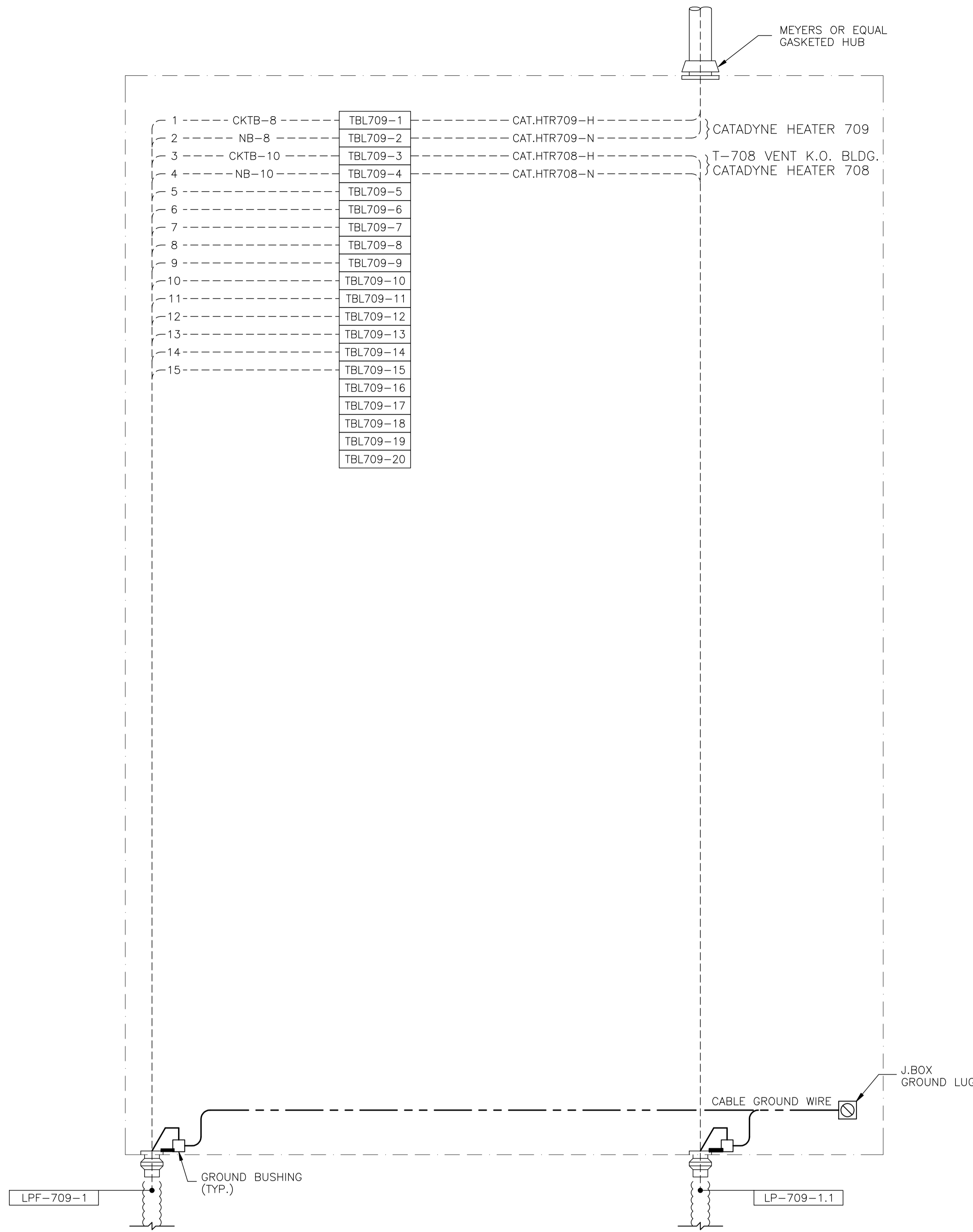
PERMIT STAMP:	

STAMP APPLIED TO REV. 2 ONLY

GENERAL NOTES:
1. "POST CONSTRUCTION DRAWINGS" ARE GENERATED FROM CONSTRUCTION CHANGE INFORMATION FORWARDED TO BOWER DAMBERGER ROLSETH ENGINEERING LTD. BY THE OWNER'S FIELD SUPERVISORS AND/OR FIELD CONTRACTORS. ANY CHANGES NOT DOCUMENTED WILL NOT APPEAR ON THE DRAWINGS AND THEREFORE THE DRAWING MAY NOT BE AN ACCURATE REPRESENTATION OF THE CONSTRUCTED FACILITY.
2. PRIOR TO THE COMMENCEMENT OF ANY CONSTRUCTION AND/OR EXCAVATION IT SHALL BE THE RESPONSIBILITY OF THE OWNER'S REPRESENTATIVE TO VERIFY THE LOCATION AND STATUS OF ANY PIPING, ELECTRICAL EQUIPMENT OR BUILDINGS.
3. ANY REVISIONS MADE TO EXISTING EQUIPMENT, PIPING OR ELECTRICAL ON A FACILITY NOT DESIGNED BY B.D.R. ENG. LTD. IS ONLY SHOWN AS A REPRESENTATION OF WHAT EXISTS AND MUST BE VERIFIED BY THE OWNER.

	BY	DATE
DRN.	FC	04.09.30
CHK.		
APP'D.		
L.S.D.	15-10-62-06	WSM

FORT ENERGY CORPORATION		
CORBETT GAS PLANT		
T-701 NORTH TANK FARM AREA J.BOX JBD-701 WIRING DETAIL		
SCALE	DRAWING NUMBER	REV
N/A	D-23212-E-19-014	3



NOTE:
REFER TO DWG E-03-016 FOR ELECTRICAL
EQUIPMENT LAYOUT.

JBL-709 - 120VAC UTILITIES

NO.	REVISION	PROJ. No.	BY	DATE	CHK.	DATE
3	POST CONSTRUCTION REVISIONS	43733	SM	05.02.02	ATB	05.02.02
2	ISSUED FOR CONSTRUCTION	43733	FC	04.10.28	ATB	04.11.01
1	ISSUED FOR FIELD BID	43733	FC	04.10.15	ATB	04.10.15
0	ISSUED FOR APPROVAL	43733	FC	04.09.30	ATB	04.10.04

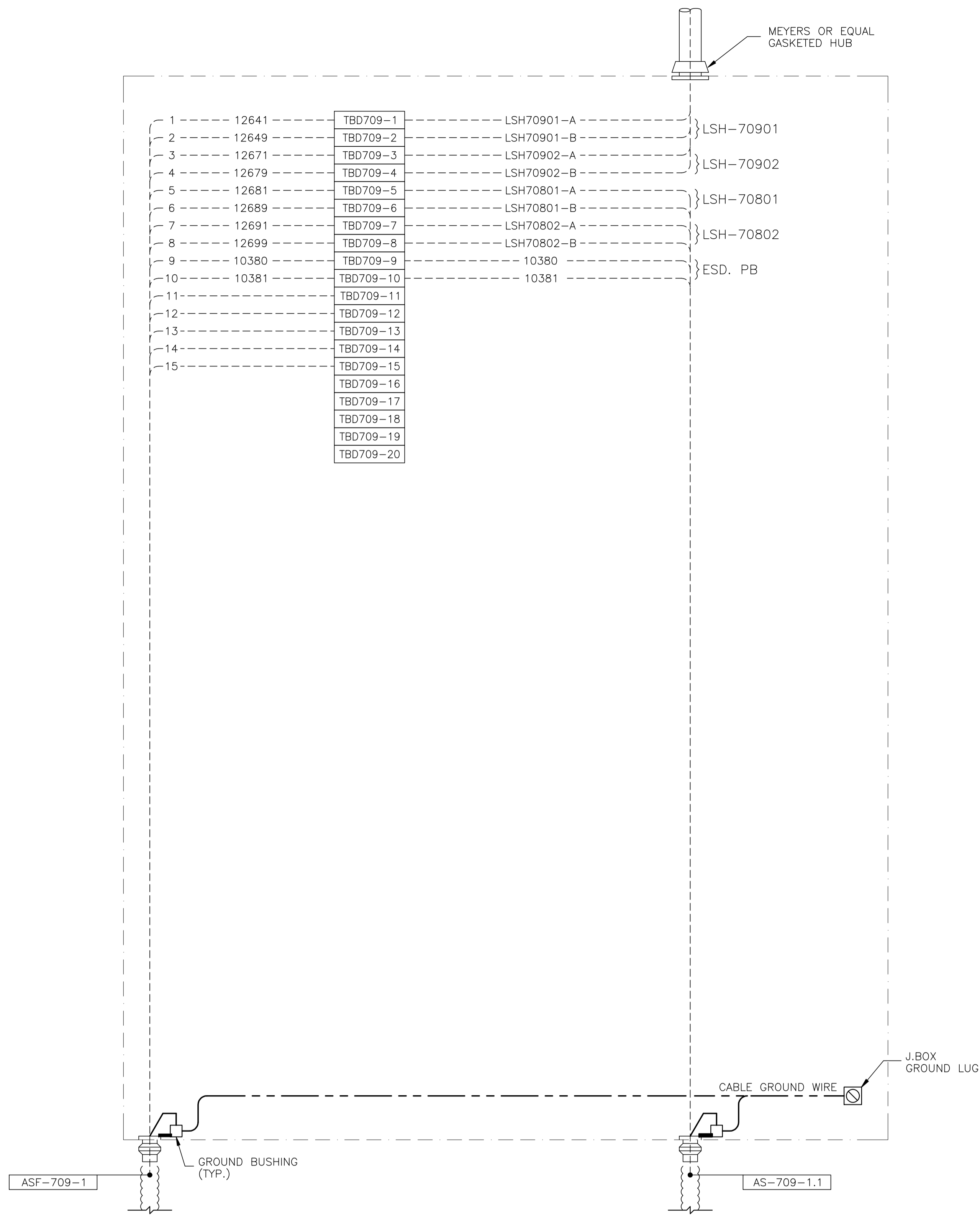
PERMIT STAMP:	STAMP APPLIED TO REV. 2 ONLY
---------------	------------------------------

GENERAL NOTES:
1. "POST CONSTRUCTION DRAWINGS" ARE GENERATED FROM CONSTRUCTION CHANGE INFORMATION FORWARDED TO BOWER DAMBERGER ROLSETH ENGINEERING LTD. BY THE OWNER'S FIELD SUPERVISORS AND/OR BIDDING CONTRACTORS. ANY CHANGES NOT DOCUMENTED WILL NOT APPEAR ON THE DRAWINGS AND THEREFORE THE DRAWING MAY NOT BE AN ACCURATE REPRESENTATION OF THE CONSTRUCTED FACILITY.
2. PRIOR TO THE COMMENCEMENT OF ANY CONSTRUCTION AND/OR EXCAVATION IT SHALL BE THE RESPONSIBILITY OF THE OWNER'S REPRESENTATIVE TO VERIFY THE LOCATION AND STATUS OF ANY PIPING, ELECTRICAL EQUIPMENT OR BUILDINGS.
3. ANY REVISIONS MADE TO EXISTING EQUIPMENT, PIPING OR ELECTRICAL ON A FACILITY NOT DESIGNED BY B.D.R. ENG. LTD. IS ONLY SHOWN AS A REPRESENTATION OF WHAT EXISTS AND MUST BE VERIFIED BY THE OWNER.

	BY	DATE
DRN.	FC	04.09.30
CHK.		
APP'D.		
L.S.D.	15-10-62-06	WSM



FORT ENERGY CORPORATION		
CORBETT GAS PLANT		
T-709 FLARE K.O. DRUM BUILDING J.BOX JBL-709 WIRING DETAIL		
SCALE	DRAWING NUMBER	REV
N/A	D-23212-E-20-012	3



NOTE:
REFER TO DWG E-03-016 FOR ELECTRICAL
EQUIPMENT LAYOUT.

JBD-708 - 24VDC CONTROL

NO.	REVISION	PROJ. No.	BY	DATE	CHK.	DATE
3	POST CONSTRUCTION REVISIONS	43733	SM	05.02.02	ATB	05.02.02
2	ISSUED FOR CONSTRUCTION	43733	FC	04.10.28	ATB	04.11.01
1	ISSUED FOR FIELD BID	43733	FC	04.10.15	ATB	04.10.15
0	ISSUED FOR APPROVAL	43733	FC	04.09.30	ATB	04.10.04

PERMIT STAMP:
STAMP APPLIED TO REV. 2 ONLY

GENERAL NOTES:
1. "POST CONSTRUCTION DRAWINGS" ARE GENERATED FROM CONSTRUCTION CHANGE INFORMATION FORWARDED TO BOWER DAMBERGER ROLSETH ENGINEERING LTD. BY THE OWNER'S FIELD SUPERVISORS AND/OR FIELD CONTRACTORS. ANY CHANGES NOT DOCUMENTED WILL NOT APPEAR ON THE DRAWINGS AND THEREFORE THE DRAWING MAY NOT BE AN ACCURATE REPRESENTATION OF THE CONSTRUCTED FACILITY.
2. PRIOR TO THE COMMENCEMENT OF ANY CONSTRUCTION AND/OR EXCAVATION IT SHALL BE THE RESPONSIBILITY OF THE OWNER'S REPRESENTATIVE TO VERIFY THE LOCATION AND STATUS OF ANY PIPING, ELECTRICAL EQUIPMENT OR BUILDINGS.
3. ANY REVISIONS MADE TO EXISTING EQUIPMENT, PIPING OR ELECTRICAL ON A FACILITY NOT DESIGNED BY B.D.R. ENG. LTD. IS ONLY SHOWN AS A REPRESENTATION OF WHAT EXISTS AND MUST BE VERIFIED BY THE OWNER.

DRN.	BY	DATE
CHK.	FC	04.09.30
APP'D.		
L.S.D.	15-10-62-06	WSM

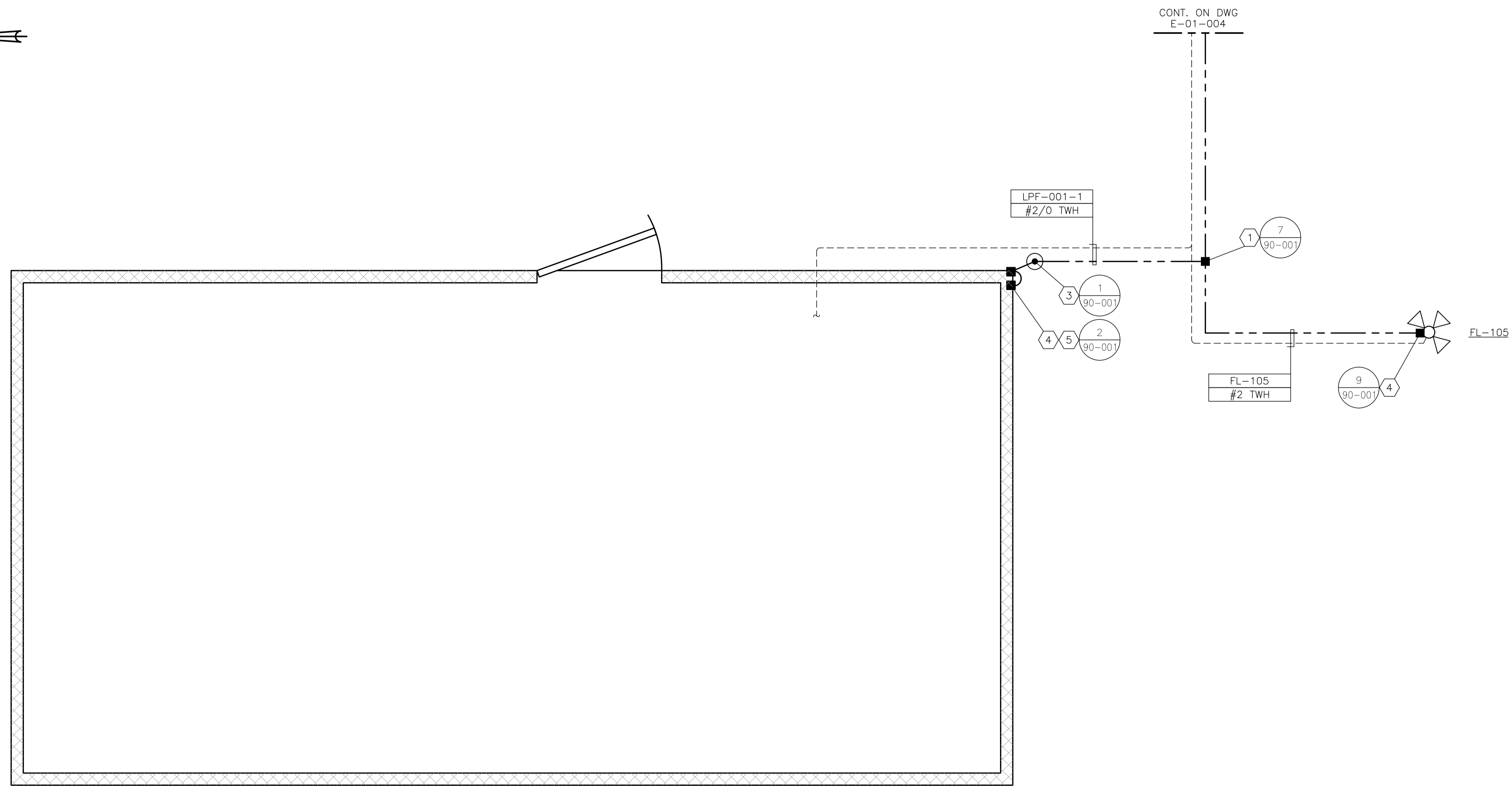
FORT ENERGY CORPORATION		
CORBETT GAS PLANT		
T-709 FLARE K.O. DRUM BUILDING J.BOX JBD-709 WIRING DETAIL		
SCALE	DRAWING NUMBER	REV
N/A	D-23212-E-20-014	3



BILL OF MATERIALS
(AS REQUIRED)

MATERIALS

1. #2/0-#2/0 C-TAP SPLICE, INSTALLED c/w TAPE AND GLYPTOL SPRAY.
2. #2/0-#2 C-TAP SPLICE, INSTALLED c/w TAPE AND GLYPTOL SPRAY.
3. 300mm x 75mm COPPER CLUB GROUND RODS c/w - GROUND WELL; - INSPECTION COVER; - GROUND ROD (#2/0).
4. GROUNDING SERVIT POST - #2/0 OR #2 AS REQUIRED.
5. BUILDING BONDING PLATE c/w #2 CRIMP-ON LUG.



O-001 OFFICE BUILDING
7343 x 3773 (APPROX.)

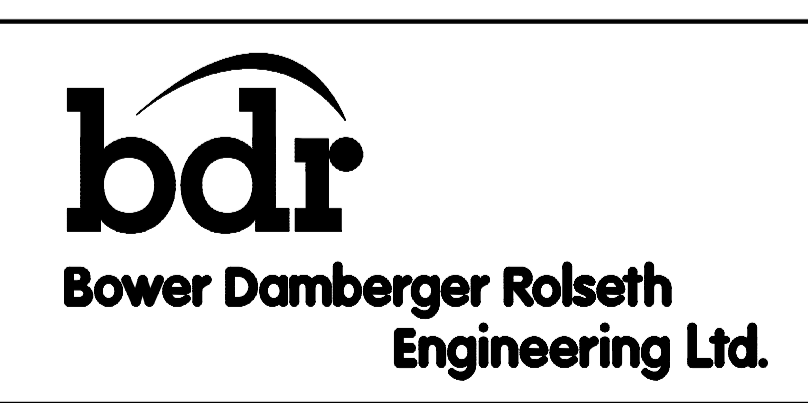
NO.	REVISION	PROJ. No.	BY	DATE	CHK.	DATE
4	POST CONSTRUCTION REVISIONS	43733	SM	05.02.02	ATB	05.02.02
3	ISSUED FOR CONSTRUCTION	43733	FC	04.10.29	ATB	04.11.01
2	ISSUED FOR FIELD BID	43733	PC	04.10.25	ATB	04.10.25
1	ISSUED FOR SKID CONSTRUCTION	43733	PC	04.10.15	ATB	04.10.15
0	ISSUED FOR APPROVAL	43733	PC	04.09.30	ATB	04.10.12

PERMIT STAMP:	STAMP APPLIED TO REV. 3 ONLY
----------------------	------------------------------

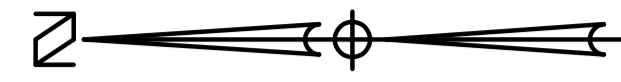
GENERAL NOTES:

1. "POST CONSTRUCTION DRAWINGS" ARE GENERATED FROM CONSTRUCTION CHANGE INFORMATION FORWARDED TO BOWER DAMBERGER ROLSETH ENGINEERING LTD. BY THE OWNER'S FIELD SUPERVISORS AND/OR FIELD CONTRACTORS. ANY CHANGES NOT DOCUMENTED WILL NOT APPEAR ON THE DRAWINGS AND THEREFORE THE DRAWING MAY NOT BE AN ACCURATE REPRESENTATION OF THE CONSTRUCTED FACILITY.
2. PRIOR TO THE COMMENCEMENT OF ANY CONSTRUCTION AND/OR EXCAVATION IT SHALL BE THE RESPONSIBILITY OF THE OWNER'S REPRESENTATIVE TO VERIFY THE LOCATION AND STATUS OF ANY PIPING, ELECTRICAL EQUIPMENT OR BUILDINGS.
3. ANY REVISIONS MADE TO EXISTING EQUIPMENT, PIPING OR ELECTRICAL ON A FACILITY NOT DESIGNED BY B.D.R. ENG. LTD. IS ONLY SHOWN AS A REPRESENTATION OF WHAT EXISTS AND MUST BE VERIFIED BY THE OWNER.

	BY	DATE
DRN.	PC	04.10.25
CHK.		
APP'D.		
L.S.D.	15-10-62-06 WSM	



FORT ENERGY CORPORATION		
CORBETT GAS PLANT O-001 OFFICE BUILDING ELECTRICAL LAYOUT		
SCALE	DRAWING NUMBER	REV
1 : 20	D-23212-E-21-001	4

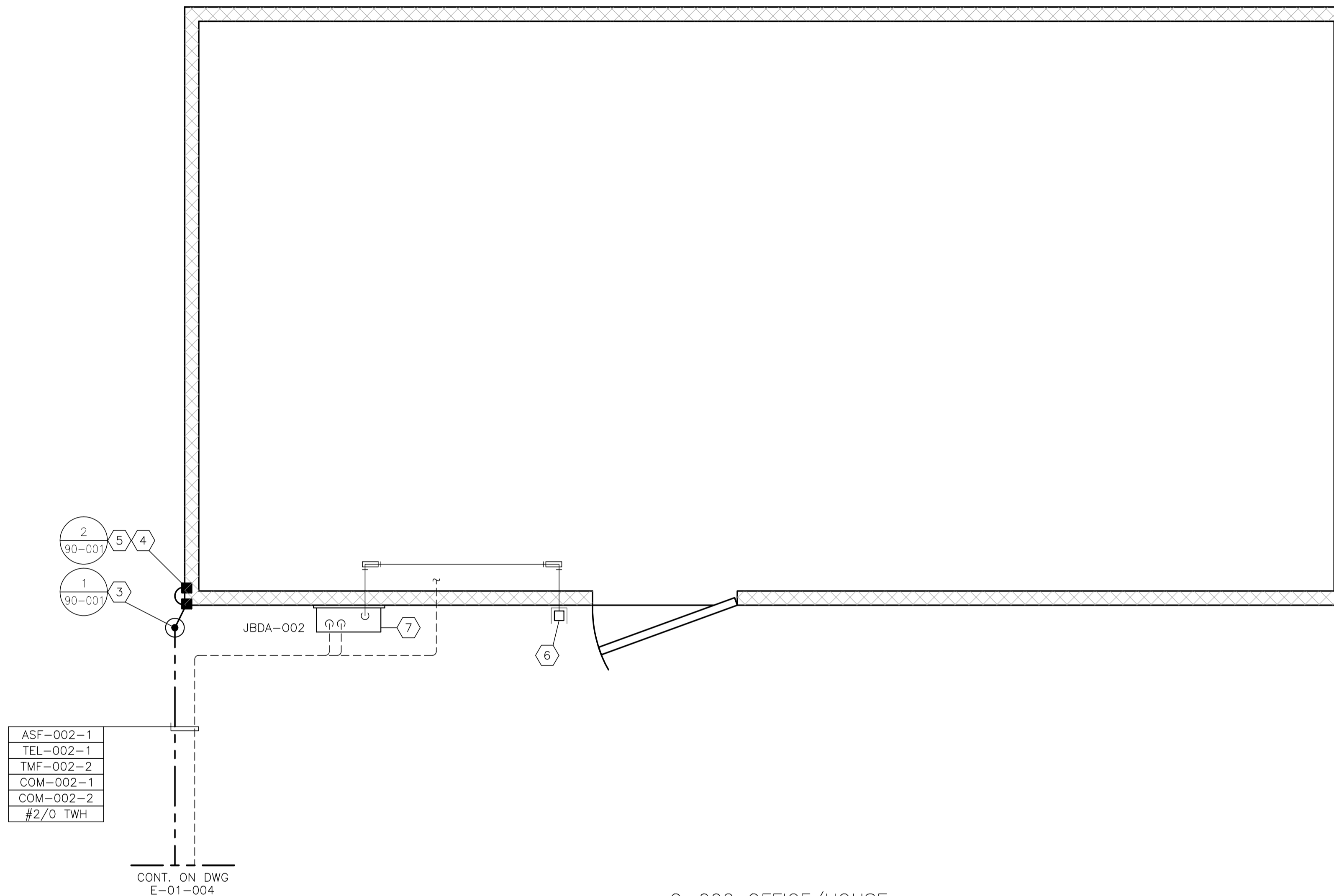


BILL OF MATERIALS

(AS REQUIRED)

MATERIALS

1. #2/0-#2/0 C-TAP SPLICE, INSTALLED c/w TAPE AND GLYPTOL SPRAY.
2. #2/0-#2 C-TAP SPLICE, INSTALLED c/w TAPE AND GLYPTOL SPRAY.
3. 300mm x 75mm COPPER CLUB GROUND RODS c/w
 - GROUND WELL,
 - INSPECTION COVER,
 - GROUND ROD (#2/0).
4. GROUNDING SERVIT POST - #2/0 OR #2 AS REQUIRED.
5. BUILDING BONDING PLATE c/w #2 CRIMP-ON LUG.
6. CROUSE HINDS CEAG #GHG432KLM00SGT551211/2511 ESD PUSHBUTTON c/w RED SHROUD AND MIN. 4" x 6" ESD WARNING LAMICOID. CLASS I, ZONE 1, EXPLOSION PROOF.
7. NEMA 4 STEEL ENCLOSURE SIZED AS PER DRAWING c/w BACK PAN, TERMINAL BLOCKS AND MOUNTING HARDWARE.
8. HOFFMAN #A-NMV6 JUNCTION BOX DRAIN SEAL.



O-002 OFFICE/HOUSE
7343 x 3773 (APPROX.)

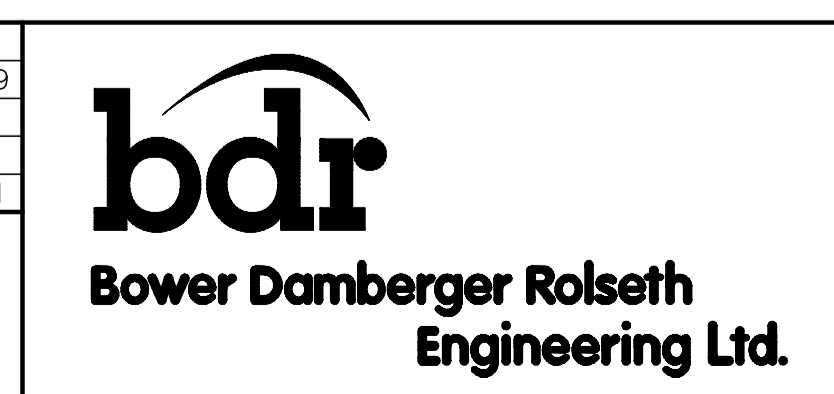
NO.	REVISION	PROJ. No.	BY	DATE	CHK.	DATE
2	POST CONSTRUCTION REVISIONS	43733	SM	05.02.02	ATB	05.02.02
1	ISSUED FOR CONSTRUCTION	43733	FC	04.10.29	ATB	04.11.01
0	ISSUED FOR APPROVAL	43733	FC	04.10.29	ATB	04.10.29

PERMIT STAMP:

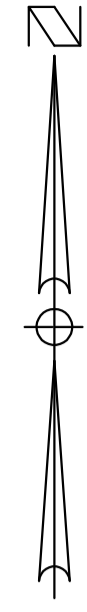
STAMP APPLIED TO REV. 1 ONLY

GENERAL NOTES:
 1. "POST CONSTRUCTION DRAWINGS" ARE GENERATED FROM CONSTRUCTION CHANGE INFORMATION FORWARDED TO BOWER DAMBERGER ROLSETH ENGINEERING LTD. BY THE OWNER'S FIELD SUPERVISORS AND ARCHITECTS. UNLESS OTHERWISE SPECIFIED, ANY CHANGES NOT DOCUMENTED WILL NOT APPEAR ON THE DRAWINGS AND THEREFORE THE DRAWING MAY NOT BE AN ACCURATE REPRESENTATION OF THE CONSTRUCTED FACILITY.
 2. PRIOR TO THE COMMENCEMENT OF ANY CONSTRUCTION AND OR EXCAVATION IT SHALL BE THE RESPONSIBILITY OF THE OWNER REPRESENTATIVE TO VERIFY THE LOCATION AND STATUS OF ANY PIPING, ELECTRICAL, EQUIPMENT OR BUILDINGS.
 3. ANY REVISIONS MADE TO EXISTING EQUIPMENT, PIPING OR ELECTRICAL ON A FACILITY NOT DESIGNED BY B.D.R. ENG. LTD. IS ONLY SHOWN AS A REPRESENTATION OF WHAT EXISTS AND MUST BE VERIFIED BY THE OWNER.

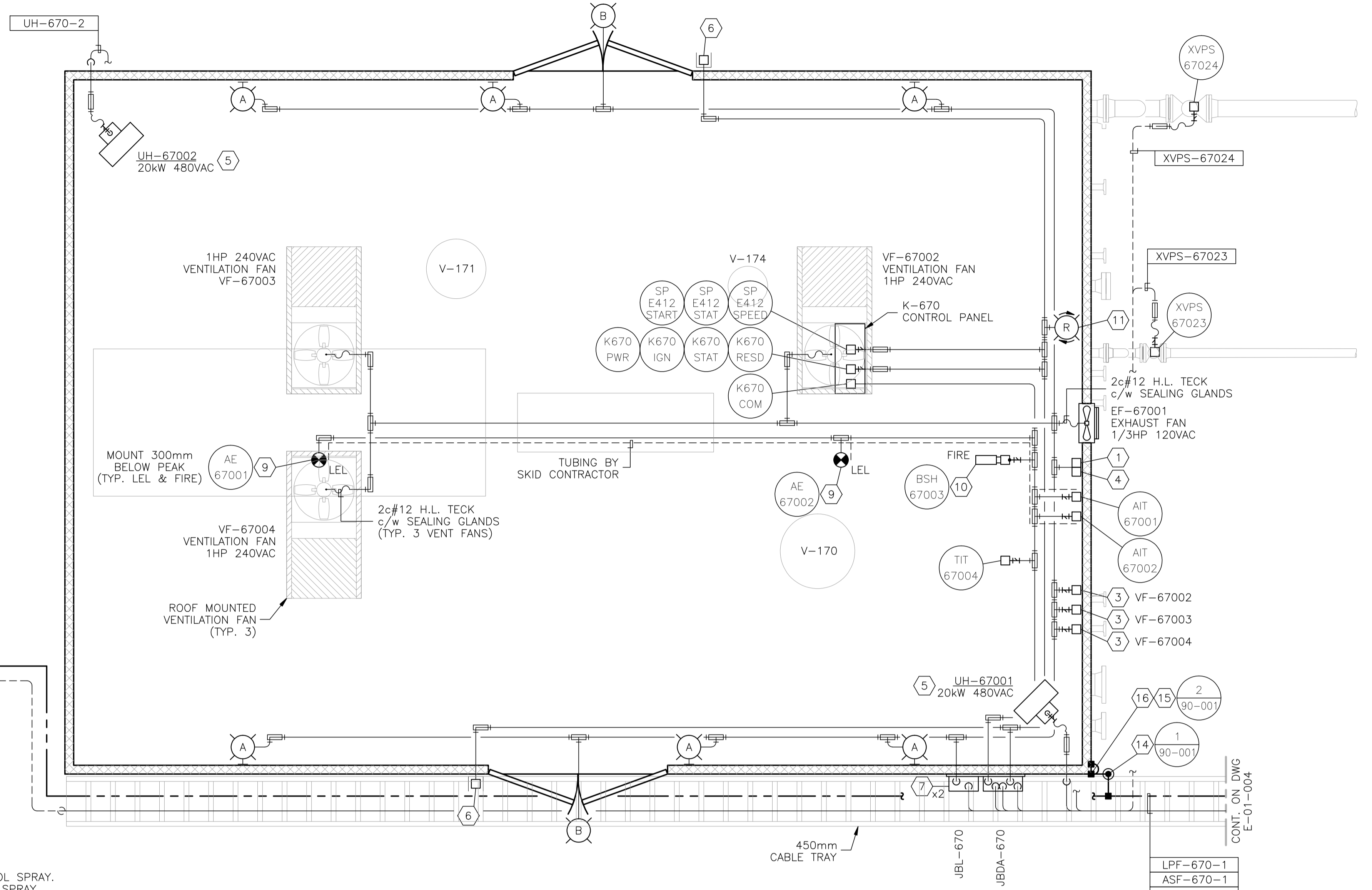
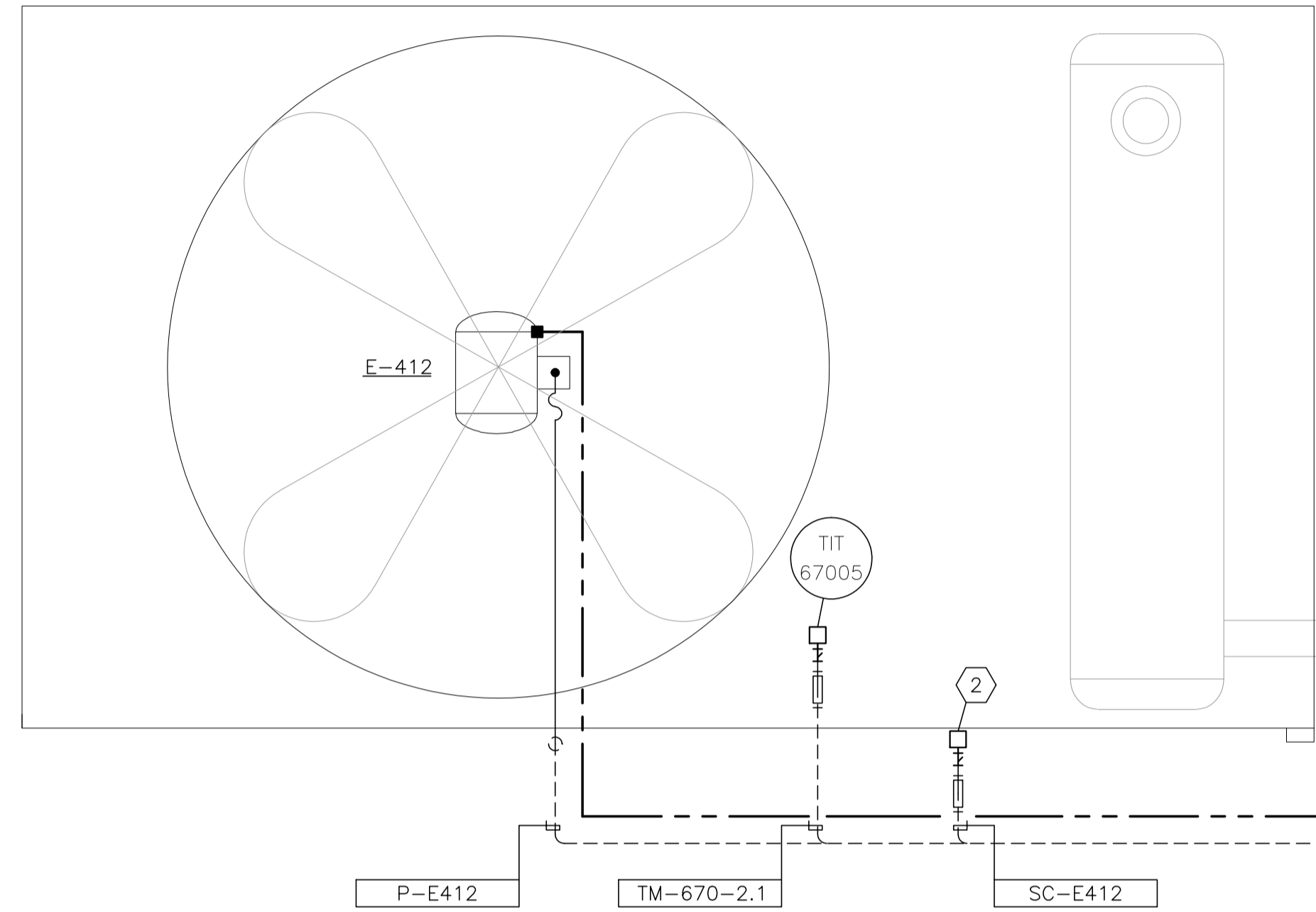
	BY	DATE
DRN.	FC	04.11.29
CHK.		
APP'D.		
L.S.D.	15-10-62-06	W5M



FORT ENERGY CORPORATION		
CORBETT GAS PLANT O-002 OFFICE/HOUSE ELECTRICAL LAYOUT		
SCALE	DRAWING NUMBER	REV
1 : 20	D-23212-E-22-001	2



E-412
K-670 COMPRESSOR COOLER FAN
50HP 480VAC 3Ø



BILL OF MATERIALS
(AS REQUIRED)

FIXTURES

- A. CROUSE HINDS #VMVS2TW150GP 120V, 150W HIGH PRESSURE SODIUM, WALL MOUNT FIXTURE c/w GLOBE, GUARD AND LAMP. CLASS I, ZONE 2.
- B. APPLETON GWM70LABH c/w GUARD & LAMP 120/240VAC, 70W HIGH PRESSURE SODIUM WALL MOUNT CLASS I, ZONE 2.

MATERIALS

- 1. CROUSE HINDS #DSFS933 ON/OFF SWITCH, 277VAC, 20AMPS MAX. SINGLE POLE, CLASS I, DIV 1, EXPLOSION PROOF.
- 2. CROUSE HINDS CEAG #GHG4341115L9003 THREE POSITION CONTROL STATION c/w 2.2kohm SPEED POT, LOCAL/REMOTE SWITCH AND ON/OFF SWITCH. CLASS I, ZONE 1, EXPLOSION PROOF.
- 3. CROUSE HINDS #ESD911 MANUAL MOTOR STARTER SWITCH, 2 POLE, 230VAC, 1HP MAX. c/w OVERLOADS. CLASS I, DIV. 1, EXPLOSION PROOF.
- 4. CROUSE HINDS #CPS152R DELAYED ACTION RECEPTACLE, 115-250VAC, 20AMPS, 1HP MAX. CLASS I, DIV 1, EXPLOSION PROOF.
- 5. RUFFNECK ELECTRIC UNIT HEATER, 480VAC, 3Ø, c/w BUILT-IN THERMOSTAT, SIZED AS PER DRAWING, EXPLOSION PROOF. (OWNER SUPPLIED)
- 6. CROUSE HINDS CEAG #GHG432KLM00SGT51211/2511 ESD PUSHBUTTON c/w RED SHROUD AND MIN. 4" x 6" ESD WARNING LAMICOID. CLASS I, ZONE 1, EXPLOSION PROOF.
- 7. NEMA 4 STEEL ENCLOSURE SIZED AS PER DRAWING c/w BACK PAN, TERMINAL BLOCKS AND MOUNTING HARDWARE.
- 8. HOFFMAN #A-NMV6 JUNCTION BOX DRAIN SEAL.
- 9. NET SAFETY MOD. #MLP-A-SC1100-SEP MILLENNIUM COMBUSTIBLE GAS DETECTOR, 24VDC c/w 4-20ma SIGNAL OUTPUT, SEPARATOR KIT AND CCS-1 SPLASH GUARD.
- 10. NET SAFETY MOD. #UVS-AR STAND-ALONE UV FIRE DETECTOR, 24VDC c/w 4-20ma SIGNAL OUTPUT, RELAY OUTPUT BOARD, SWIVEL AND JB4-UV-T ASSY.
- 11. PLANT ALARM BEACON, 24VDC, RED, ROTATING, ZONE 2.

- 12. #2/0-#2/0 C-TAP SPLICE, INSTALLED c/w TAPE AND GLYPTOL SPRAY.
- 13. #2/0-#2 C-TAP SPLICE, INSTALLED c/w TAPE AND GLYPTOL SPRAY.
- 14. 300mm x 75mm COPPER CLUB GROUND RODS c/w - GROUND WELL; - INSPECTION COVER; - GROUND ROD CLAMP (#2/0).
- 15. GROUNDING SERVIT POST - #2/0 OR #2 AS REQUIRED.
- 16. BUILDING BONDING PLATE c/w #2 CRIMP-ON LUG.
- 17. 1/4" OR 1/2" BOLT c/w #2 CRIMP-ON LUG.
- 18. #2/0 CABLE TRAY BONDING CONNECTOR.

NOTES:

- 1. ALL WIRING TO THE SKID DEVICES SHALL BE TAKEN FROM THE RIGHTHAND SIDE OF THE TERMINALS, DIRECT WITHOUT SPLICES OF ANY KIND.
- 2. WIRING FOR ALL DEVICES SHALL BE TAGGED AS PER J.BOX LAYOUTS.
- 3. FIELD CONTRACTOR TO ENSURE ALL INCOMING/EXITING TECK CABLES ARE c/w GROUNDING BUSHINGS.
- 4. ALL J.BOXES ARE TO HAVE LAMICOID NAME PLATES AS PER DRAWINGS.
- 5. FIELD CONTRACTOR WILL BE RESPONSIBLE FOR GROUNDING AS WELL AS THE PACKING AND POURING OF ALL SEALS. THIS APPLIES WHETHER OR NOT THE SKID ARRIVES PRE-WIRED.
- 6. CONDUIT METHOD WILL BE RA c/w ALL FITTINGS.
- 7. ALL CABLES TO ENTER/EXIT THE BOTTOM OF THE J.BOXES. ALL CONDUIT TO ENTER/EXIT THE TOP OF THE J.BOXES VIA MYERS HUB.
- 8. THE INTERIOR OF THIS SKID IS CLASSIFIED CLASS-1 ZONE-2. THE EXTERIOR OF THIS SKID IS CLASSIFIED CLASS-1 ZONE 2 FOR THE FIRST 3 METERS.
- 9. INSTALLATION TO BE DONE ACCORDING TO GENERAL SPEC. INCLUDED WITH BID PACKAGE.
- 10. LEL DETECTORS TO BE INSTALLED USING OWNER SUPPLIED SEPARATION KITS. SEPARATION KITS TO BE MOUNTED ON WALL @ APPROXIMATELY 1500mm TO CENTER.
- 11. ALL VERTICAL CABLE TRAY RISERS ARE TO BE COMPLETE WITH PROPER SUPPORTS AND ALUMINUM TRAY COVER.
- 12. WINDOWS AND DOORS ARE NOT TO BE USED FOR VENTILATION.

K-670 COMPRESSOR BUILDING
10465 x 7162
EAVE HEIGHT - 3581

LPF-670-1
ASF-670-1
ASF-670-2
TMF-670-1
TMF-670-2
COM-670-1
UH-670-1
UH-670-2
P-E412
SC-E412
#2/0 TWH

NO.	REVISION	PROJECT	DSN	DRN	CHK'D	APP'D	DATE
4	POST CONSTRUCTION REVISIONS	43884	BGO	SRM			06.02.14
3	2005 EXPANSION ISSUED FOR CONSTRUCTION	43884	BGO	FC	BGO	RLB	05.10.19
2	2005 EXPANSION ISSUED FOR SKID CONSTRUCTION	43884	BGO	FC	BGO		05.10.03
1	2005 EXPANSION ISSUED FOR BID	43884	BGO	FC	BGO		05.09.26
0	2005 EXPANSION ISSUED FOR APPROVAL	43884	BGO	FC	BGO		05.09.06

PERMIT STAMP:	STAMP APPLIED TO REV. 3 ONLY
----------------------	------------------------------

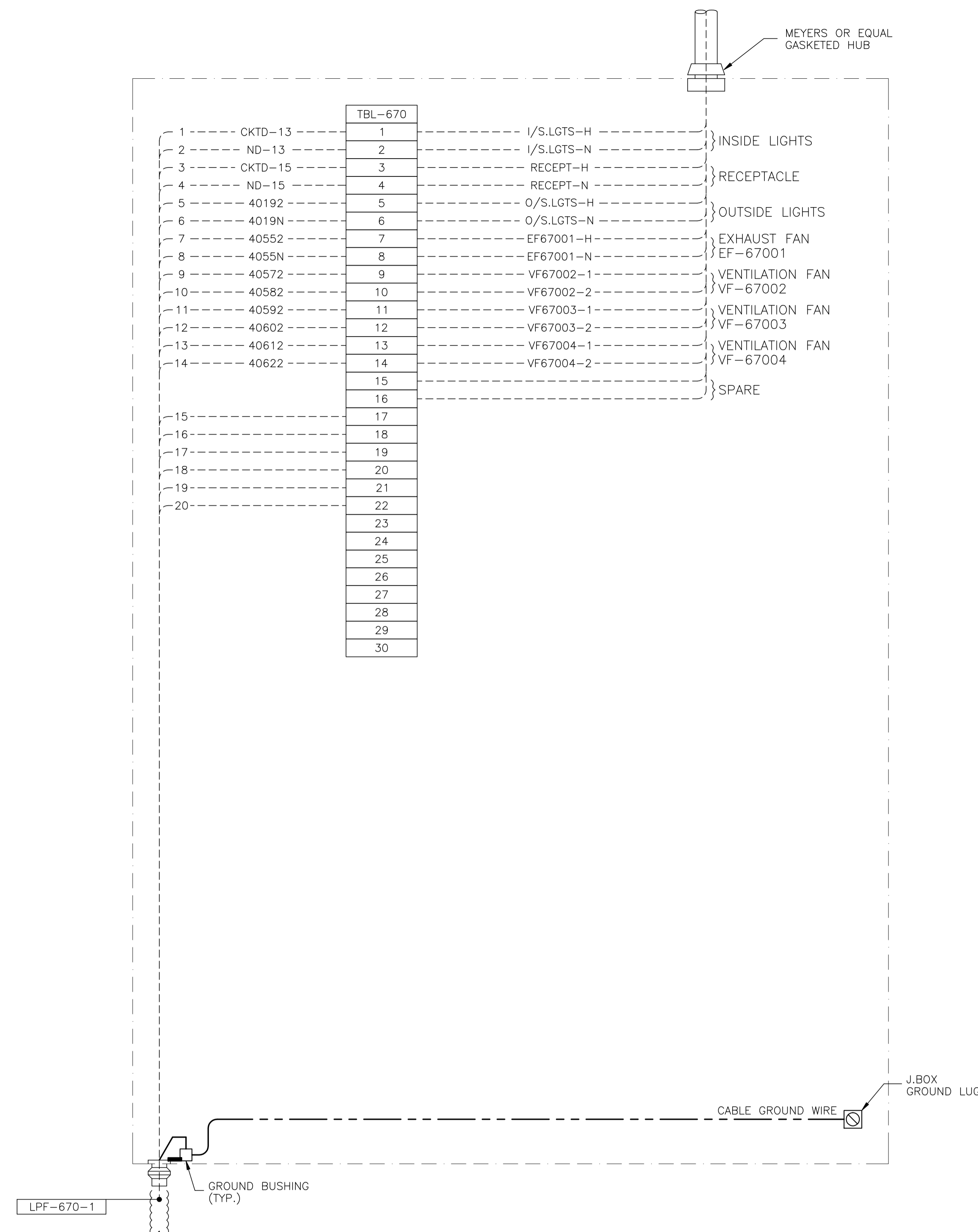
GENERAL NOTES:
1. "POST CONSTRUCTION DRAWINGS" ARE GENERATED FROM CONSTRUCTION CHANGE INFORMATION FORWARDED TO BOWER DAMBERGER ROLSETH ENGINEERING LTD. BY THE OWNER'S FIELD SUPERVISORS AND/OR FIELD CONTRACTORS. ANY CHANGES NOT DOCUMENTED WILL NOT APPEAR ON THE DRAWINGS AND THEREFORE THE DRAWING MAY NOT BE AN ACCURATE REPRESENTATION OF THE CONSTRUCTED FACILITY.
2. PRIOR TO THE COMMENCEMENT OF ANY CONSTRUCTION AND/OR EXCAVATION IT SHALL BE THE RESPONSIBILITY OF THE OWNER'S REPRESENTATIVE TO VERIFY THE LOCATION AND STATUS OF ANY PIPING, ELECTRICAL, EQUIPMENT OR BUILDINGS.
3. ANY REVISIONS MADE TO EXISTING EQUIPMENT, PIPING OR ELECTRICAL ON A FACILITY NOT DESIGNED BY B.D.R. ENG. LTD. IS ONLY SHOWN AS A REPRESENTATION OF WHAT EXISTS AND MUST BE VERIFIED BY THE OWNER.

DESIGN	BY	DATE
DRAWN	BGO	05.08.19
CHK'D	BGO	05.10.19
APP'D	RLB	05.10.19
L.S.D.	15-10-62-06 W5M	

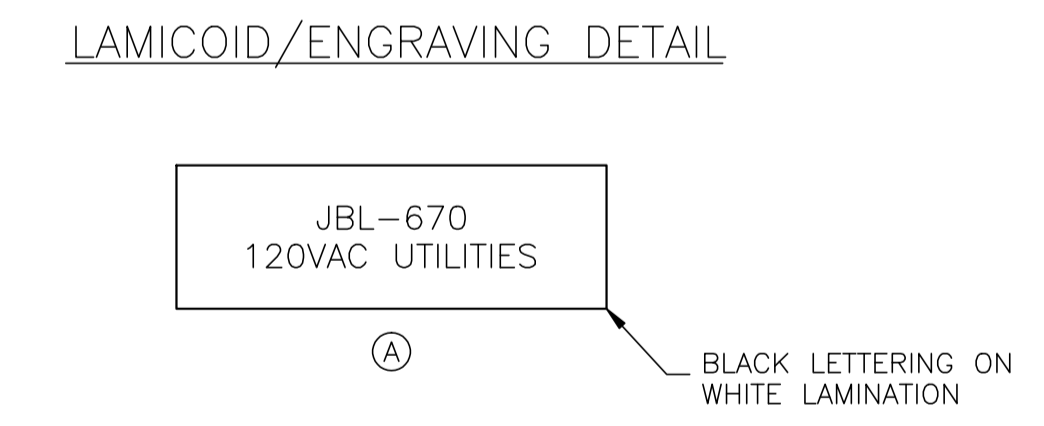
Bower Damberger Rolseth Engineering Ltd.

FORT ENERGY CORPORATION		
CORBETT GAS PLANT K-670 COMPRESSOR BUILDING ELECTRICAL LAYOUT		
SCALE	DRAWING NUMBER	REV
1 : 30	D-23212-E-23-001	4

CUSTOM ENCLOSURE BILL OF MATERIALS		
ITEM	QTY	DESCRIPTION
1	1	CUSTOM STEEL NEMA 4, WEATHERPROOF RATED ENCLOSURE; - 406mmH x 305mmW x 152mmD (EXTERIOR DIMENSIONS); - FULL HEIGHT DOOR c/w CSD TYPE CLOSURES; - HEAVY DUTY HINGE; - c/w (1) BACKPAN.
2	-	WEIDMULLER WDU-2.5 TERMINALS c/w ACCESSORIES.
3	-	WEIDMULLER WDU-4 TERMINALS c/w ACCESSORIES.
4	30	WEIDMULLER WDU-6 TERMINALS c/w ACCESSORIES.
5	1	WEIDMULLER WAP-2.5/4/6/10 END PLATE.
6	2	WEIDMULLER EW-35 END BRACKET.
7	1	WEIDMULLER SHT-5 GROUP TAG HOLDER.
8	AS REQ'D	DEKAFIX MARKING TAG (#1-#30).
9	AS REQ'D	WEIDMULLER TS35 MOUNTING RAIL.
10	1	HOFFMAN #A-NMV6 DRAIN SEAL.
11	1	25mm x 75mm LAMICOID.



JBL-670 - 120VAC UTILITIES



NO.	REVISION	PROJECT	DSN	DRN	CHK'D	APP'D	DATE
4	POST CONSTRUCTION REVISIONS	43884	BGO	SRM			06.02.14
3	2005 EXPANSION ISSUED FOR CONSTRUCTION	43884	BGO	FC	BGO	RLB	05.10.19
2	2005 EXPANSION ISSUED FOR SKID CONSTRUCTION	43884	BGO	FC	BGO		05.10.03
1	2005 EXPANSION ISSUED FOR BID	43884	BGO	FC	BGO		05.09.26
0	2005 EXPANSION ISSUED FOR APPROVAL	43884	BGO	FC	BGO		05.09.06

PERMIT STAMP:

STAMP APPLIED TO REV. 3 ONLY

GENERAL NOTES:

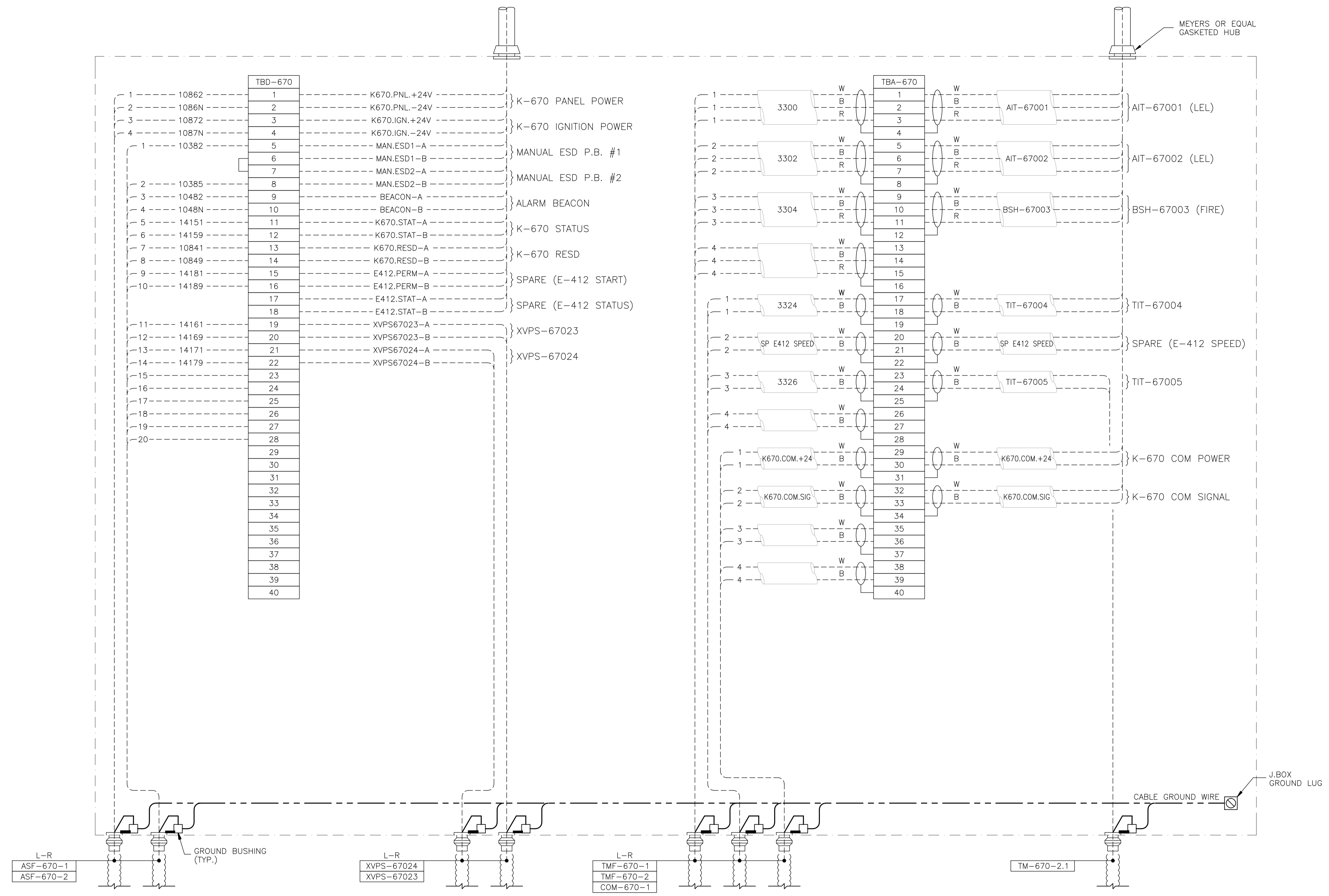
- "POST CONSTRUCTION DRAWINGS" ARE GENERATED FROM CONSTRUCTION CHANGE INFORMATION FORWARDED TO BOWER DAMBERGER ROLSETH ENGINEERING LTD. BY THE OWNER'S FIELD SUPERVISORS AND/OR BIDDING CONTRACTORS. ANY CHANGES NOT DOCUMENTED WILL NOT APPEAR ON THE DRAWINGS AND THEREFORE THE DRAWING MAY NOT BE AN ACCURATE REPRESENTATION OF THE CONSTRUCTED FACILITY.
- PRIOR TO THE COMMENCEMENT OF ANY CONSTRUCTION AND/OR EXCAVATION IT SHALL BE THE RESPONSIBILITY OF THE OWNER'S REPRESENTATIVE TO VERIFY THE LOCATION AND STATUS OF ANY PIPING, ELECTRICAL EQUIPMENT OR BUILDINGS.
- ANY REVISIONS MADE TO EXISTING EQUIPMENT, PIPING OR ELECTRICAL ON A FACILITY NOT DESIGNED BY B.D.R. ENG. LTD. IS ONLY SHOWN AS A REPRESENTATION OF WHAT EXISTS AND MUST BE VERIFIED BY THE OWNER.

DESIGN	BY	DATE
DRAWN	BGO	05.08.19
CHK'D	BGO	05.10.19
APP'D	RLB	05.10.19
L.S.D.	15-10-62-06	W5M

FORT ENERGY CORPORATION		
CORBETT GAS PLANT K-670 COMPRESSOR BUILDING J.BOX JBL-670 WIRING DETAIL		
SCALE	DRAWING NUMBER	REV
N/A	D-23212-E-23-051	4

CUSTOM ENCLOSURE BILL OF MATERIALS

ITEM	QTY	DESCRIPTION
1	1	CUSTOM STEEL NEMA 4, WEATHERPROOF RATED ENCLOSURE; - 406mmH x 406mmW x 152mmD (EXTERIOR DIMENSIONS); - FULL HEIGHT DOOR c/w CSD TYPE CLOSURES; - HEAVY DUTY HINGE; - c/w (1) BACKPAN.
2	-	WEIDMULLER WDU-2.5 TERMINALS c/w ACCESSORIES.
3	80	WEIDMULLER WDU-4 TERMINALS c/w ACCESSORIES.
4	-	WEIDMULLER WDU-6 TERMINALS c/w ACCESSORIES.
5	2	WEIDMULLER WAP-2.5/4/6/10 END PLATE.
6	4	WEIDMULLER EW-35 END BRACKET.
7	2	WEIDMULLER SHT-5 GROUP TAG HOLDER.
8	AS REQ'D	DEKAFIX MARKING TAG (#1-#40, #1-#40).
9	AS REQ'D	WEIDMULLER TS35 MOUNTING RAIL.
10	1	HOFFMAN #A-NMV6 DRAIN SEAL.
11	1	25mm x 75mm LAMICOID.



JBDA-670 - 24VDC CONTROL/ANALOG

NO.	REVISION	PROJECT	DSN	DRN	CHK'D	APP'D	DATE
4	POST CONSTRUCTION REVISIONS	43884	BGO	SRM			06.02.14
3	2005 EXPANSION ISSUED FOR CONSTRUCTION	43884	BGO	FC	BGO	RLB	05.10.19
2	2005 EXPANSION ISSUED FOR SKID CONSTRUCTION	43884	BGO	FC	BGO		05.10.03
1	2005 EXPANSION ISSUED FOR BID	43884	BGO	FC	BGO		05.09.26
0	2005 EXPANSION ISSUED FOR APPROVAL	43884	BGO	FC	BGO		05.09.06

PERMIT STAMP:	STAMP APPLIED TO REV. 3 ONLY
---------------	------------------------------

GENERAL NOTES:
 1. "POST CONSTRUCTION DRAWINGS" ARE GENERATED FROM CONSTRUCTION CHANGE INFORMATION FORWARDED TO BOWER DAMBERGER ROLSETH ENGINEERING LTD. BY THE OWNER'S FIELD SUPERVISORS AND/OR INSPECTORS. ANY CHANGES NOT DOCUMENTED WILL NOT APPEAR ON THE DRAWINGS AND THEREFORE THE DRAWING MAY NOT BE AN ACCURATE REPRESENTATION OF THE CONSTRUCTED FACILITY.
 2. PRIOR TO THE COMMENCEMENT OF ANY CONSTRUCTION AND/OR EXCAVATION IT SHALL BE THE RESPONSIBILITY OF THE OWNER'S REPRESENTATIVE TO VERIFY THE LOCATION AND STATUS OF ANY PIPING, ELECTRICAL EQUIPMENT OR BUILDINGS.
 3. ANY REVISIONS MADE TO EXISTING EQUIPMENT, PIPING OR ELECTRICAL ON A FACILITY NOT DESIGNED BY B.D.R. ENG. LTD. IS ONLY SHOWN AS A REPRESENTATION OF WHAT EXISTS AND MUST BE VERIFIED BY THE OWNER.

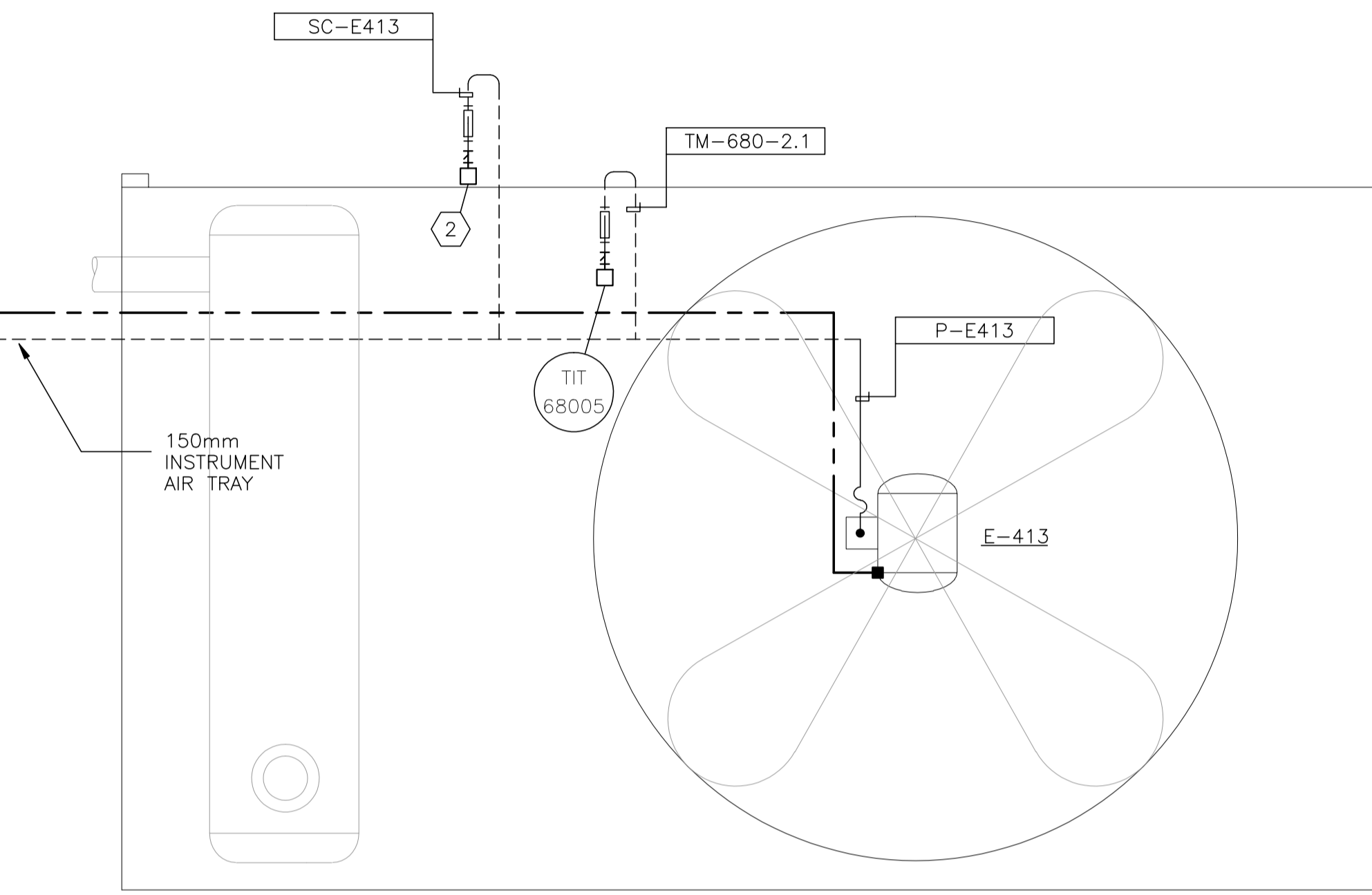
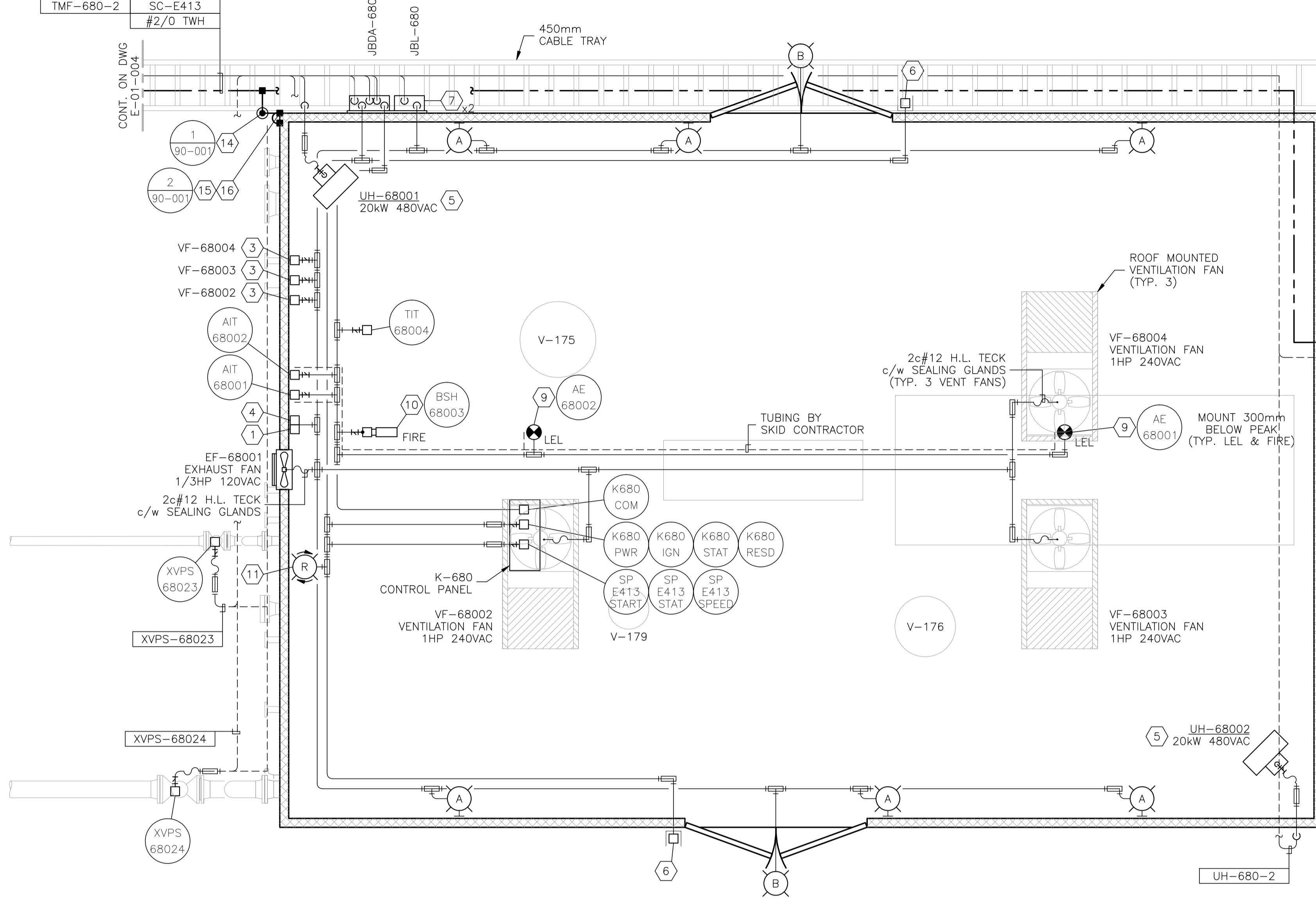
DESIGN	BY	DATE
BGO	BGO	05.08.19
FC	FC	05.08.19
BGO	BGO	05.10.19
RLB	RLB	05.10.19
L.S.D.	15-10-62-06 WSM	

Bower Damberger Rolseth Engineering Ltd.

FORT ENERGY CORPORATION		
CORBETT GAS PLANT K-670 COMPRESSOR BUILDING J.BOX JBDA-670 WIRING DETAIL		
SCALE	DRAWING NUMBER	REV
N/A	D-23212-E-23-052	4

LPF-680-1	COM-680-1
ASF-680-1	UH-680-1
ASF-680-2	UH-680-2
TMF-680-1	P-E413
TMF-680-2	SC-E413
	#2/0 TWH

E-413
K-680 COMPRESSOR COOLER FAN
50HP 480VAC 3Ø



K-680 COMPRESSOR BUILDING
10465 x 7162
EAVE HEIGHT - 3581

BILL OF MATERIALS
(AS REQUIRED)

FIXTURES

- A. CROUSE HINDS #VMVS2TW150GP 120V, 150W HIGH PRESSURE SODIUM, WALL MOUNT FIXTURE c/w GLOBE, GUARD AND LAMP. CLASS I, ZONE 2.
- B. APPLETON GWM70LABH c/w GUARD & LAMP 120/240VAC, 70W HIGH PRESSURE SODIUM WALL MOUNT CLASS I, ZONE 2.

MATERIALS

1. CROUSE HINDS #DSFS933 ON/OFF SWITCH, 277VAC, 20AMPS MAX. SINGLE POLE, CLASS I, DIV 1, EXPLOSION PROOF.
2. CROUSE HINDS CEAG #GHG434111S19003 THREE POSITION CONTROL STATION c/w 2.2kohm SPEED POT, LOCAL/REMOTE SWITCH AND ON/OFF SWITCH. CLASS I, ZONE 1, EXPLOSION PROOF.
3. CROUSE HINDS #ESD911 MANUAL MOTOR STARTER SWITCH, 2 POLE, 230VAC, 1HP MAX. c/w OVERLOADS. CLASS I, DIV. 1, EXPLOSION PROOF.
4. CROUSE HINDS #CPS152R DELAYED ACTION RECEPTACLE, 115-250VAC, 20AMPS, 1HP MAX. CLASS I, DIV 1, EXPLOSION PROOF.
5. RUFFNECK ELECTRIC UNIT HEATER, 480VAC, 3Ø, c/w BUILT-IN THERMOSTAT, SIZED AS PER DRAWING, EXPLOSION PROOF. (OWNER SUPPLIED)
6. CROUSE HINDS CEAG #GHG432KLM005GT551211/2511 ESD PUSHBUTTON c/w RED SHROUD AND MIN. 4" x 6" ESD WARNING LAMICOID. CLASS I, ZONE 1, EXPLOSION PROOF.
7. NEMA 4 STEEL ENCLOSURE SIZED AS PER DRAWING c/w BACK PAN, TERMINAL BLOCKS AND MOUNTING HARDWARE.
8. HOFFMAN #A-NMV6 JUNCTION BOX DRAIN SEAL.
9. NET SAFETY MOD. #MLP-A-SC1100-SEP MILLENNIUM COMBUSTIBLE GAS DETECTOR, 24VDC c/w 4-20mA SIGNAL OUTPUT, SEPARATOR KIT AND CCS-1 SPLASH GUARD.
10. NET SAFETY MOD. #UVS-AR STAND-ALONE UV FIRE DETECTOR, 24VDC c/w 4-20mA SIGNAL OUTPUT, RELAY OUTPUT BOARD, SWIVEL AND JB4-UV-T ASSY.
11. PLANT ALARM BEACON, 24VDC, RED, ROTATING, ZONE 2.

12. #2/0-#2/0 C-TAP SPLICE, INSTALLED c/w TAPE AND GLYPTOL SPRAY.
13. #2/0-#2 C-TAP SPLICE, INSTALLED c/w TAPE AND GLYPTOL SPRAY.
14. 300mm x 75mm COPPER CLUB GROUND RODS c/w
- GROUND WELL;
- INSPECTION COVER;
- GROUND ROD CLAMP (#2/0).
15. GROUNDING SERVIT POST - #2/0 OR #2 AS REQUIRED.
16. BUILDING BONDING PLATE c/w #2 CRIMP-ON LUG.
17. 1/4" OR 1/2" BOLT c/w #2 CRIMP-ON LUG.
18. #2/0 CABLE TRAY BONDING CONNECTOR.

NOTES:

1. ALL WIRING TO THE SKID DEVICES SHALL BE TAKEN FROM THE RIGHTHAND SIDE OF THE TERMINALS, DIRECT WITHOUT SPLICES OF ANY KIND.
2. WIRING FOR ALL DEVICES SHALL BE TAGGED AS PER J.BOX LAYOUTS.
3. FIELD CONTRACTOR TO ENSURE ALL INCOMING/EXITING TECK CABLES ARE c/w GROUNDING BUSHINGS.
4. ALL J.BOXES ARE TO HAVE LAMICOID NAME PLATES AS PER DRAWINGS.
5. FIELD CONTRACTOR WILL BE RESPONSIBLE FOR GROUNDING AS WELL AS THE PACKING AND POURING OF ALL SEALS. THIS APPLIES WHETHER OR NOT THE SKID ARRIVES PRE-WIRED.
6. CONDUIT METHOD WILL BE RA c/w ALL FITTINGS.
7. ALL CABLES TO ENTER/EXIT THE BOTTOM OF THE J.BOXES. ALL CONDUIT TO ENTER/EXIT THE TOP OF THE J.BOXES VIA MYERS' HUB.
8. THE INTERIOR OF THIS SKID IS CLASSIFIED CLASS-1 ZONE-2. THE EXTERIOR OF THIS SKID IS CLASSIFIED CLASS-1 ZONE 2 FOR THE FIRST 3 METERS.
9. INSTALLATION TO BE DONE ACCORDING TO GENERAL SPEC. INCLUDED WITH BID PACKAGE.
10. LEL DETECTORS TO BE INSTALLED USING OWNER SUPPLIED SEPARATION KITS. SEPARATION KITS TO BE MOUNTED ON WALL @ APPROXIMATELY 1500mm TO CENTER.
11. ALL VERTICAL CABLE TRAY RISERS ARE TO BE COMPLETE WITH PROPER SUPPORTS AND ALUMINUM TRAY COVER.
12. WINDOWS AND DOORS ARE NOT TO BE USED FOR VENTILATION.

NO.	REVISION	PROJECT	DSN	DRN	CHK'D	APP'D	DATE
4	POST CONSTRUCTION REVISIONS	43884	BGO	SRM			06.02.14
3	2005 EXPANSION ISSUED FOR CONSTRUCTION	43884	BGO	FC	BGO	RLB	05.10.19
2	2005 EXPANSION ISSUED FOR SKID CONSTRUCTION	43884	BGO	FC	BGO		05.10.03
1	2005 EXPANSION ISSUED FOR BID	43884	BGO	FC	BGO		05.09.26
0	2005 EXPANSION ISSUED FOR APPROVAL	43884	BGO	FC	BGO		05.09.06

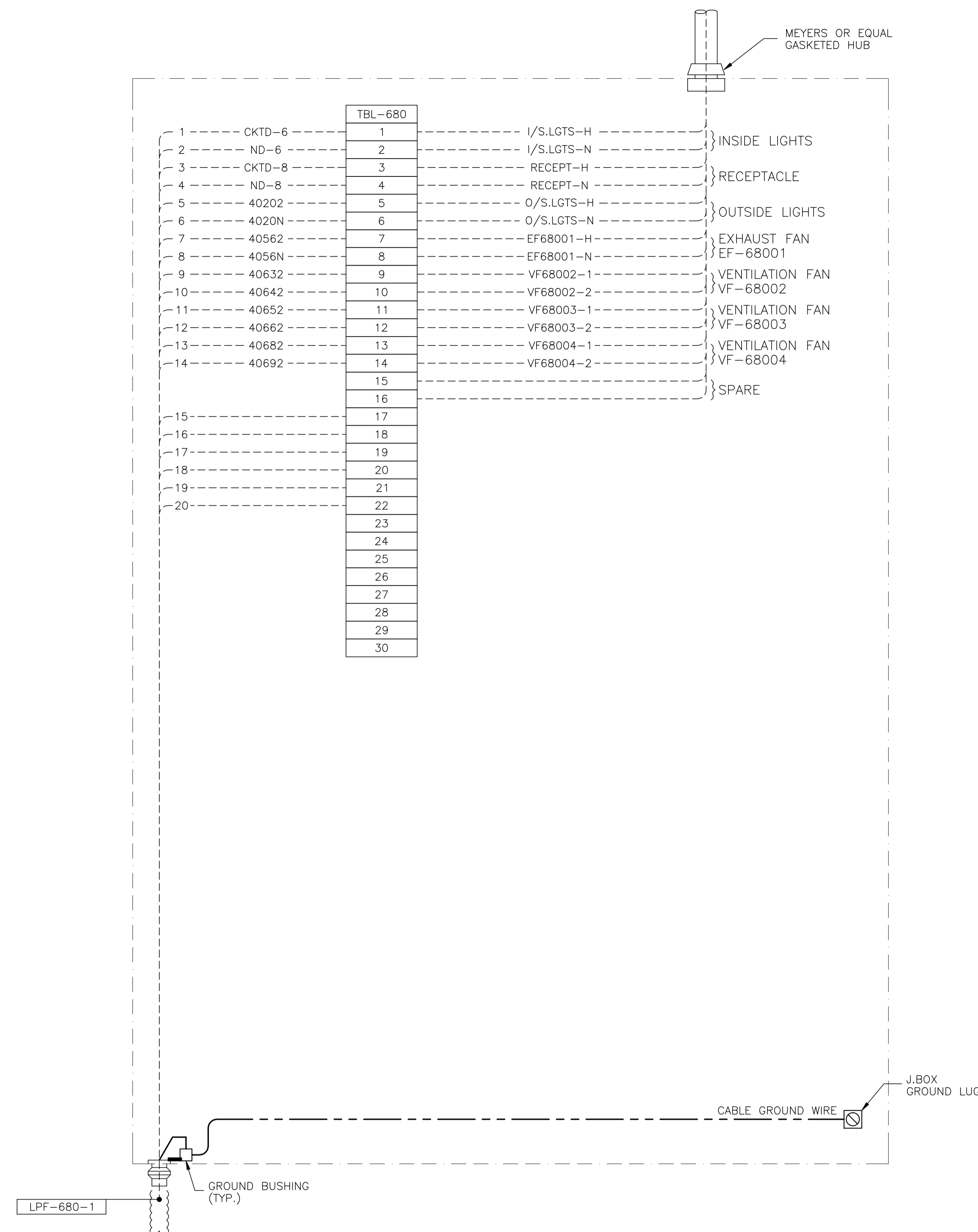
PERMIT STAMP:	STAMP APPLIED TO REV. 3 ONLY
GENERAL NOTES:	
1. "POST CONSTRUCTION DRAWINGS" ARE GENERATED FROM CONSTRUCTION CHANGE INFORMATION FORWARDED TO BOWER DAMBERGER ROLSETH ENGINEERING LTD. BY THE OWNER'S FIELD SUPERVISORS AND/OR FIELD CONTRACTORS. ANY CHANGES NOT DOCUMENTED WILL NOT APPEAR ON THE DRAWINGS AND THEREFORE THE DRAWING MAY NOT BE AN ACCURATE REPRESENTATION OF THE CONSTRUCTED FACILITY.	
2. PRIOR TO THE COMMENCEMENT OF ANY CONSTRUCTION AND/OR EXCAVATION IT SHALL BE THE RESPONSIBILITY OF THE OWNERS REPRESENTATIVE TO VERIFY THE LOCATION AND STATUS OF ANY PIPING, ELECTRICAL, EQUIPMENT OR BUILDINGS.	
3. ANY REVISIONS MADE TO EXISTING EQUIPMENT, PIPING OR ELECTRICAL ON A FACILITY NOT DESIGNED BY B.D.R. ENG. LTD. IS ONLY SHOWN AS A REPRESENTATION OF WHAT EXISTS AND MUST BE VERIFIED BY THE OWNER.	

DESIGN	BY	DATE
BGO	BGO	05.08.19
FC	BGO	05.08.19
BGO	BGO	05.10.19
RLB	BGO	05.10.19
L.S.D.	15-10-62-06	W5M

Bower Damberger Rolseth Engineering Ltd.

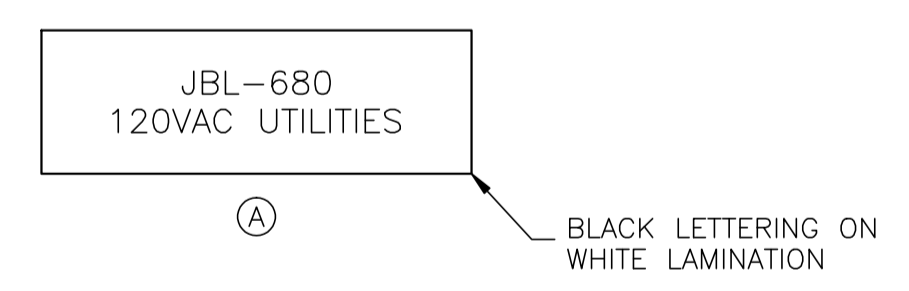
FORT ENERGY CORPORATION		
CORBETT GAS PLANT K-680 COMPRESSOR BUILDING ELECTRICAL LAYOUT		
SCALE	DRAWING NUMBER	REV
1 : 30	D-23212-E-24-001	4

CUSTOM ENCLOSURE BILL OF MATERIALS		
ITEM	QTY	DESCRIPTION
1	1	CUSTOM STEEL NEMA 4, WEATHERPROOF RATED ENCLOSURE; - 406mmH x 305mmW x 152mmD (EXTERIOR DIMENSIONS); - FULL HEIGHT DOOR c/w CSD TYPE CLOSURES; - HEAVY DUTY HINGE; - c/w (1) BACKPAN.
2	-	WEIDMULLER WDU-2.5 TERMINALS c/w ACCESSORIES.
3	-	WEIDMULLER WDU-4 TERMINALS c/w ACCESSORIES.
4	30	WEIDMULLER WDU-6 TERMINALS c/w ACCESSORIES.
5	1	WEIDMULLER WAP-2.5/4/6/10 END PLATE.
6	2	WEIDMULLER EW-35 END BRACKET.
7	1	WEIDMULLER SHT-5 GROUP TAG HOLDER.
8	AS REQ'D	DEKAFIX MARKING TAG (#1-#30).
9	AS REQ'D	WEIDMULLER TS35 MOUNTING RAIL.
10	1	HOFFMAN #A-NMV6 DRAIN SEAL.
11	1	25mm x 75mm LAMICOID.



JBL-680 - 120VAC UTILITIES

LAMICOID/ENGRAVING DETAIL



NO.	REVISION	PROJECT	DSN	DRN	CHK'D	APP'D	DATE
4	POST CONSTRUCTION REVISIONS	43884	BGO	SRM			06.02.14
3	2005 EXPANSION ISSUED FOR CONSTRUCTION	43884	BGO	FC	BGO	RLB	05.10.19
2	2005 EXPANSION ISSUED FOR SKID CONSTRUCTION	43884	BGO	FC	BGO		05.10.03
1	2005 EXPANSION ISSUED FOR BID	43884	BGO	FC	BGO		05.09.26
0	2005 EXPANSION ISSUED FOR APPROVAL	43884	BGO	FC	BGO		05.09.06

PERMIT STAMP:	STAMP APPLIED TO REV. 3 ONLY

DESIGN	BY	DATE
DRAWN	BGO	05.08.19
CHK'D	FC	05.08.19
APP'D	BGO	05.10.19
L.S.D.	RLB	05.10.19
		15-10-62-06 WSM

bdr
Bower Damberger Rolseth
Engineering Ltd.

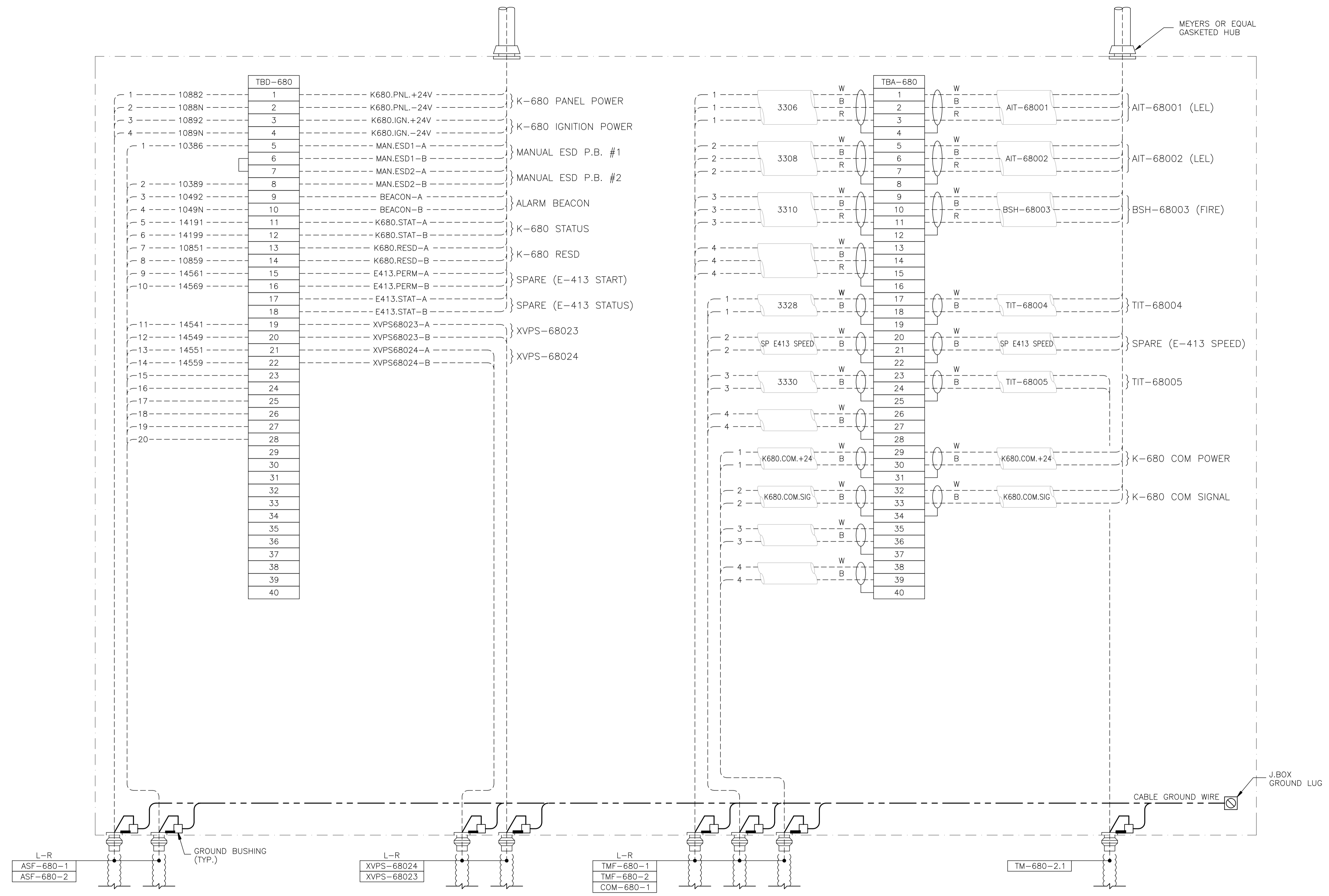
FORT ENERGY CORPORATION		
CORBETT GAS PLANT K-680 COMPRESSOR BUILDING J.BOX JBL-680 WIRING DETAIL		
SCALE	DRAWING NUMBER	REV
N/A	D-23212-E-24-051	4

GENERAL NOTES:

- "POST CONSTRUCTION DRAWINGS" ARE GENERATED FROM CONSTRUCTION CHANGE INFORMATION FORWARDED TO BOWER DAMBERGER ROLSETH ENGINEERING LTD. BY THE OWNER'S FIELD SUPERVISORS AND/OR BIDDING CONTRACTORS. ANY CHANGES NOT DOCUMENTED WILL NOT APPEAR ON THE DRAWINGS AND THEREFORE THE DRAWING MAY NOT BE AN ACCURATE REPRESENTATION OF THE CONSTRUCTED FACILITY.
- PRIOR TO THE COMMENCEMENT OF ANY CONSTRUCTION AND/OR EXCAVATION IT SHALL BE THE RESPONSIBILITY OF THE OWNER'S REPRESENTATIVE TO VERIFY THE LOCATION AND STATUS OF ANY PIPING, ELECTRICAL EQUIPMENT OR BUILDINGS.
- ANY REVISIONS MADE TO EXISTING EQUIPMENT, PIPING OR ELECTRICAL ON A FACILITY NOT DESIGNED BY B.D.R. ENG. LTD. IS ONLY SHOWN AS A REPRESENTATION OF WHAT EXISTS AND MUST BE VERIFIED BY THE OWNER.

CUSTOM ENCLOSURE BILL OF MATERIALS

ITEM	QTY	DESCRIPTION
1	1	CUSTOM STEEL NEMA 4, WEATHERPROOF RATED ENCLOSURE; - 406mmH x 406mmW x 152mmD (EXTERIOR DIMENSIONS); - FULL HEIGHT DOOR c/w CSD TYPE CLOSURES; - HEAVY DUTY HINGE; - c/w (1) BACKPAN.
2	-	WEIDMULLER WDU-2.5 TERMINALS c/w ACCESSORIES.
3	80	WEIDMULLER WDU-4 TERMINALS c/w ACCESSORIES.
4	-	WEIDMULLER WDU-6 TERMINALS c/w ACCESSORIES.
5	2	WEIDMULLER WAP-2.5/4/6/10 END PLATE.
6	4	WEIDMULLER EW-35 END BRACKET.
7	2	WEIDMULLER SHT-5 GROUP TAG HOLDER.
8	AS REQ'D	DEKAFIX MARKING TAG (#1-#40, #1-#40).
9	AS REQ'D	WEIDMULLER TS35 MOUNTING RAIL.
10	1	HOFFMAN #A-NM6 DRAIN SEAL.
11	1	25mm x 75mm LAMICOID.



JBDA-680 - 24VDC CONTROL/ANALOG

NO.	REVISION	PROJECT	DSN	DRN	CHK'D	APP'D	DATE
4	POST CONSTRUCTION REVISIONS	43884	BGO	SRM			06.02.14
3	2005 EXPANSION ISSUED FOR CONSTRUCTION	43884	BGO	FC	BGO	RLB	05.10.19
2	2005 EXPANSION ISSUED FOR SKID CONSTRUCTION	43884	BGO	FC	BGO		05.10.04
1	2005 EXPANSION ISSUED FOR BID	43884	BGO	FC	BGO		05.09.26
0	2005 EXPANSION ISSUED FOR APPROVAL	43884	BGO	FC	BGO		05.09.06

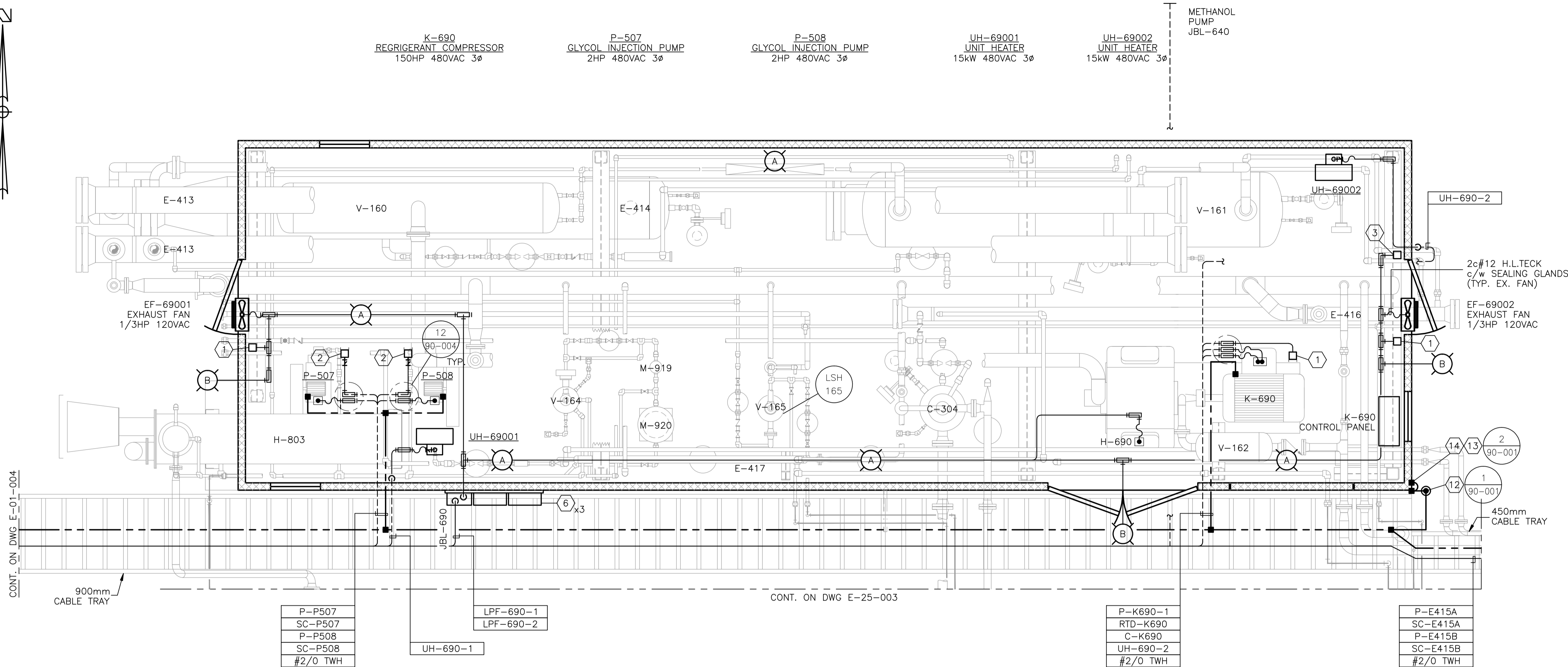
PERMIT STAMP:	STAMP APPLIED TO REV. 3 ONLY
---------------	------------------------------

GENERAL NOTES:
 1. "POST CONSTRUCTION DRAWINGS" ARE GENERATED FROM CONSTRUCTION CHANGE INFORMATION FORWARDED TO BOWER DAMBERGER ROLSETH ENGINEERING LTD. BY THE OWNER'S FIELD SUPERVISORS AND/OR FIELD CONTRACTORS. ANY CHANGES NOT DOCUMENTED WILL NOT APPEAR ON THE DRAWINGS AND THEREFORE THE DRAWING MAY NOT BE AN ACCURATE REPRESENTATION OF THE CONSTRUCTED FACILITY.
 2. PRIOR TO THE COMMENCEMENT OF ANY CONSTRUCTION AND/OR EXCAVATION IT SHALL BE THE RESPONSIBILITY OF THE OWNER'S REPRESENTATIVE TO VERIFY THE LOCATION AND STATUS OF ANY PIPING, ELECTRICAL EQUIPMENT OR BUILDINGS.
 3. ANY REVISIONS MADE TO EXISTING EQUIPMENT, PIPING OR ELECTRICAL ON A FACILITY NOT DESIGNED BY B.D.R. ENG. LTD. IS ONLY SHOWN AS A REPRESENTATION OF WHAT EXISTS AND MUST BE VERIFIED BY THE OWNER.

DESIGN	BY	DATE
BGO	BGO	05.08.19
FC	FC	05.08.19
BGO	BGO	05.10.19
RLB	RLB	05.10.19
L.S.D.	15-10-62-06	WSM



FORT ENERGY CORPORATION		
CORBETT GAS PLANT K-680 COMPRESSOR BUILDING J.BOX JBDA-680 WIRING DETAIL		
SCALE	DRAWING NUMBER	REV
N/A	D-23212-E-24-052	4



K-690 REFRIGERATION BUILDING
 4267 x 14326
 EAVE HEIGHT - 3660

BILL OF MATERIALS
 (AS REQUIRED)

FIXTURES

- A. CROUSE HINDS #VMVS2A150GP 120V, 150W HIGH PRESSURE SODIUM, PENDANT MOUNT FIXTURE c/w GLOBE, GUARD AND LAMP. CLASS 1, ZONE 2.
- B. APPLETON GWM70LA8H c/w GUARD & LAMP 120/240VAC, 70W HIGH PRESSURE SODIUM WALL MOUNT CLASS 1, ZONE 2.
- C. CROUSE HINDS #VMVS2T150GP 120V, 150W HIGH PRESSURE SODIUM, WALL MOUNT FIXTURE c/w GLOBE, GUARD AND LAMP. CLASS 1, ZONE 2.

MATERIALS

- 1. CROUSE HINDS #DSFS933 ON/OFF SWITCH, 277VAC, 20AMPS MAX. SINGLE POLE. CLASS 1, DIV 1, EXPLOSION PROOF.
- 2. CROUSE HINDS CEAG #GHG4341115L9003 THREE POSITION CONTROL STATION c/w 2.2kohm SPEED POT, LOCAL/REMOTE SWITCH AND ON/OFF SWITCH. CLASS 1, ZONE 1, EXPLOSION PROOF.
- 3. CROUSE HINDS #CPS152R DELAYED ACTION RECEPTACLE, 115-250VAC, 20AMPS, 1HP MAX. CLASS 1, DIV 1, EXPLOSION PROOF.
- 4. RUFFNECK ELECTRIC UNIT HEATER, 480VAC, 3Ø c/w BUILT-IN THERMOSTAT, SIZED AS PER DRAWING, EXPLOSION PROOF. (OWNER SUPPLIED)
- 5. CROUSE HINDS CEAG #GHG432KLM00SGT551211/2511 ESD PUSHBUTTON c/w RED SHROUD AND MIN. 4" x 6" ESD WARNING LAMICOID. CLASS 1, ZONE 1, EXPLOSION PROOF.
- 6. NEMA 4 STEEL ENCLOSURE SIZED AS REQUIRED c/w BACK PAN, TERMINAL BLOCKS AND MOUNTING HARDWARE.
- 7. HOFFMAN #A-NMV6 JUNCTION BOX DRAIN SEAL.
- 8. NET SAFETY MOD. #MLP-A-SC1100-SEP MILLENNIUM COMBUSTIBLE GAS DETECTOR, 24VDC c/w 4-20mA SIGNAL OUTPUT, SEPARATOR KIT AND CCS-1 SPLASH GUARD.
- 9. NET SAFETY MOD. #MLP-A-SC1100-SEP MILLENNIUM PROPANE DETECTOR, 24VDC c/w 4-20mA SIGNAL OUTPUT, SEPARATOR KIT AND CCS-1 SPLASH GUARD.
- 10. NET SAFETY MOD. #UVS-AR STAND-ALONE UV FIRE DETECTOR, 24VDC c/w 4-20mA SIGNAL OUTPUT, RELAY OUTPUT BOARD, SWIVEL AND JB4-UV-T ASSY.
- 11. PLANT ALARM BEACON, 24VDC, RED, ROTATING.

NOTES:

- 1. ALL WIRING TO THE SKID DEVICES SHALL BE TAKEN FROM THE RIGHTHAND SIDE OF THE TERMINALS. DIRECT WITHOUT SPLICES OF ANY KIND.
- 2. WIRING FOR ALL DEVICES SHALL BE TAGGED AS PER J.BOX LAYOUTS.
- 3. FIELD CONTRACTOR TO ENSURE ALL INCOMING/EXITING TECK CABLES ARE c/w GROUNDING BUSHINGS.
- 4. ALL J.BOXES ARE TO HAVE LAMICOID NAME PLATES AS PER DRAWINGS.
- 5. FIELD CONTRACTOR WILL BE RESPONSIBLE FOR GROUNDING AS WELL AS THE PACKING AND POURING OF ALL SEALS. THIS APPLIES WHETHER OR NOT THE SKID ARRIVES PRE-WIRED.
- 6. CONDUIT METHOD WILL BE RA c/w ALL FITTINGS.
- 7. ALL CABLES TO ENTER/EXIT THE BOTTOM OF THE J.BOXES. ALL CONDUIT TO ENTER/EXIT THE TOP OF THE J.BOXES VIA MYERS HUB.
- 8. THE INTERIOR OF THIS SKID IS CLASSIFIED CLASS-I ZONE-2. THE EXTERIOR OF THIS SKID IS CLASSIFIED CLASS-I ZONE 2 FOR THE FIRST 3 METERS.
- 9. INSTALLATION TO BE DONE ACCORDING TO GENERAL SPEC. INCLUDED WITH BID PACKAGE.
- 10. LEL DETECTORS TO BE INSTALLED USING OWNER SUPPLIED SEPARATION KITS. SEPARATION KITS TO BE MOUNTED ON WALL @ APPROXIMATELY 1500mm TO CENTER.
- 11. ALL VERTICAL CABLE TRAY RISERS ARE TO BE COMPLETE WITH PROPER SUPPORTS AND ALUMINUM TRAY COVER.
- 12. WINDOWS AND DOORS ARE NOT TO BE USED FOR VENTILATION.

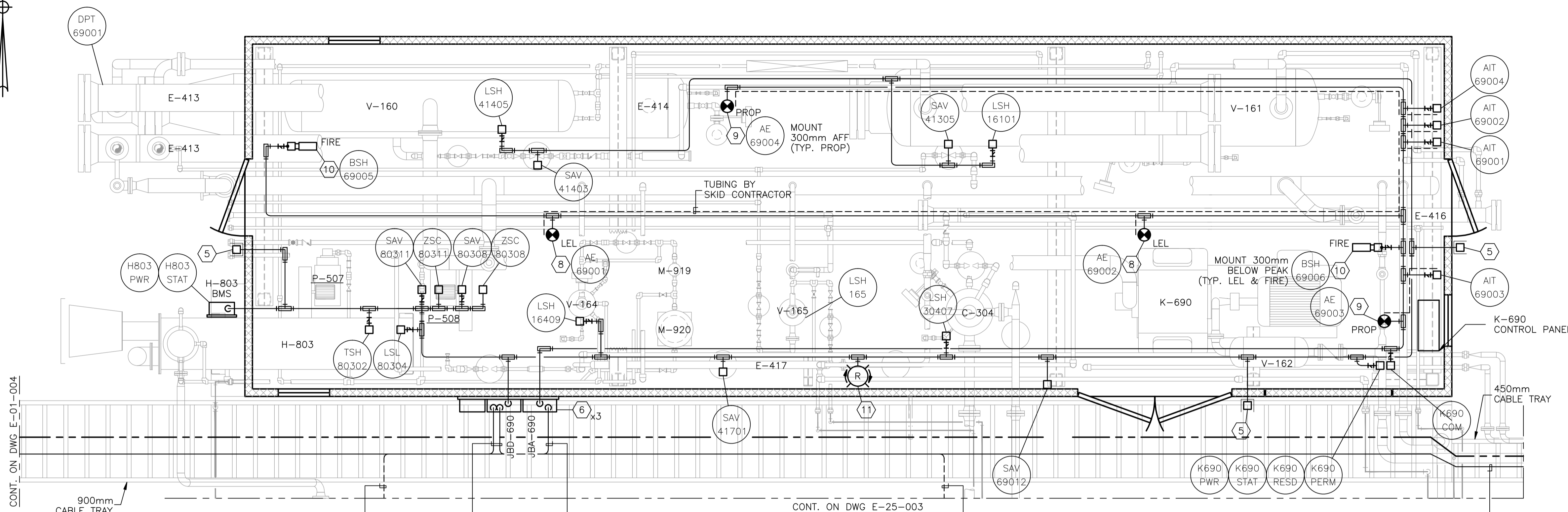
NO.	REVISION	PROJECT	DSN	DRN	CHK'D	APP'D	DATE
4	2005 EXPANSION ISSUED FOR CONSTRUCTION	43884	BGO	FC	BGO	RLB	05.10.19
3	GENERAL REVISIONS	43884	BGO	FC	BGO		05.10.05
2	2005 EXPANSION ISSUED FOR SKID CONSTRUCTION	43884	BGO	FC	BGO		05.10.04
1	2005 EXPANSION ISSUED FOR BID	43884	BGO	FC	BGO		05.09.26
0	2005 EXPANSION ISSUED FOR APPROVAL	43884	BGO	FC	BGO		05.09.06

PERMIT STAMP:	STAMP APPLIED TO REV. 4 ONLY
GENERAL NOTES:	<p>1. "POST CONSTRUCTION DRAWINGS" ARE GENERATED FROM CONSTRUCTION CHANGE INFORMATION FORWARDED TO BOWER DAMBERGER ROLSETH ENGINEERING LTD. BY THE OWNER'S FIELD SUPERVISORS AND/OR FIELD CONTRACTORS. ANY CHANGES NOT DOCUMENTED WILL NOT APPEAR ON THE DRAWINGS AND THEREFORE THE DRAWING MAY NOT BE AN ACCURATE REPRESENTATION OF THE CONSTRUCTED FACILITY.</p> <p>2. PRIOR TO THE COMMENCEMENT OF ANY CONSTRUCTION AND/OR EXCAVATION IT SHALL BE THE RESPONSIBILITY OF THE OWNER'S REPRESENTATIVE TO VERIFY THE LOCATION AND STATUS OF ANY PIPING, ELECTRICAL, EQUIPMENT OR BUILDINGS.</p> <p>3. ANY REVISIONS MADE TO EXISTING EQUIPMENT, PIPING OR ELECTRICAL ON A FACILITY NOT DESIGNED BY B.D.R. ENG. LTD. IS ONLY SHOWN AS A REPRESENTATION OF WHAT EXISTS AND MUST BE VERIFIED BY THE OWNER.</p>

DESIGN	BY	DATE
DRAWN	FC	05.08.19
CHK'D	BGO	05.10.19
APP'D	RLB	05.10.19
L.S.D.	15-10-62-06	W5M

Bower Damberger Rolseth Engineering Ltd.

FORT ENERGY CORPORATION		
CORBETT GAS PLANT K-690 REFRIGERATION BUILDING 480/120VAC ELECTRICAL LAYOUT		
SCALE	DRAWING NUMBER	REV
1 : 30	D-23212-E-25-001	4



AS-690-3.5	ASF-690-1	TMF-690-1	AS-690-3.3
	ASF-690-2	TMF-690-2	AS-690-3.4
	AS-690-2.1	COM-690-1	
	ASF-690-3		
	AS-690-3.1		
	AS-690-3.2		
	AS-690-3.3		
	AS-690-3.4		
	AS-690-3.5		

K-690 REFRIGERATION BUILDING
 4267 x 14326
 EAVE HEIGHT - 3660

BILL OF MATERIALS
(AS REQUIRED)

FIXTURES

- A. CROUSE HINDS #VMVS2A150GP 120V, 150W HIGH PRESSURE SODIUM, PENDANT MOUNT FIXTURE c/w GLOBE, GUARD AND LAMP. CLASS 1, ZONE 2.
- B. APPLETON GWM70LA8H c/w GUARD & LAMP 120/240VAC, 70W HIGH PRESSURE SODIUM WALL MOUNT CLASS 1, ZONE 2.
- C. CROUSE HINDS #VMVS2T150GP 120V, 150W HIGH PRESSURE SODIUM, WALL MOUNT FIXTURE c/w GLOBE, GUARD AND LAMP. CLASS 1, ZONE 2.

MATERIALS

1. CROUSE HINDS #DSFS933 ON/OFF SWITCH, 277VAC, 20AMPS MAX. SINGLE POLE. CLASS 1, DIV 1, EXPLOSION PROOF.
2. CROUSE HINDS CEAG #GHG4341115L9003 THREE POSITION CONTROL STATION c/w 2.2kohm SPEED POT, LOCAL/REMOTE SWITCH AND ON/OFF SWITCH. CLASS 1, ZONE 1, EXPLOSION PROOF.
3. CROUSE HINDS #CPS152R DELAYED ACTION RECEPTACLE, 115-250VAC, 20AMPS, 1HP MAX. CLASS 1, DIV 1, EXPLOSION PROOF.
4. RUFFNECK ELECTRIC UNIT HEATER, 480VAC, 3ø c/w BUILT-IN THERMOSTAT, SIZED AS PER DRAWING, EXPLOSION PROOF. (OWNER SUPPLIED)
5. CROUSE HINDS CEAG #GHG432KLM00SGT551211/2511 ESD PUSHBUTTON c/w RED SHROUD AND MIN. 4" x 6" ESD WARNING LAMICOID. CLASS 1, ZONE 1, EXPLOSION PROOF.
6. NEMA 4 STEEL ENCLOSURE SIZED AS REQUIRED c/w BACK PAN, TERMINAL BLOCKS AND MOUNTING HARDWARE.
7. HOFFMAN #A-NMV6 JUNCTION BOX DRAIN SEAL.
8. NET SAFETY MOD. #MLP-A-SC1100-SEP MILLENNIUM COMBUSTIBLE GAS DETECTOR, 24VDC c/w 4-20mA SIGNAL OUTPUT, SEPARATOR KIT AND CCS-1 SPLASH GUARD.
9. NET SAFETY MOD. #MLP-A-SC1100-SEP MILLENNIUM PROPANE DETECTOR, 24VDC c/w 4-20mA SIGNAL OUTPUT, SEPARATOR KIT AND CCS-1 SPLASH GUARD.
10. NET SAFETY MOD. #UVS-AR STAND-ALONE UV FIRE DETECTOR, 24VDC c/w 4-20mA SIGNAL OUTPUT, RELAY OUTPUT BOARD, SWIVEL AND JB4-UV-T ASSY.
11. PLANT ALARM BEACON, 24VDC, RED, ROTATING.

12. 300mm x 75mm COPPER CLUB GROUND RODS c/w
 - GROUND WELL;
 - INSPECTION COVER;
 - GROUND ROD CLAMP (#2/0).
13. GROUNDING SERVIT POST - #2/0 OR #2 AS REQUIRED.
14. BUILDING BONDING PLATE c/w #2 CRIMP-ON LUG.
15. #2/0-#2/0 C-TAP SPLICE, INSTALLED c/w TAPE AND GLYPTOL SPRAY.
16. #2/0-#2 C-TAP SPLICE, INSTALLED c/w TAPE AND GLYPTOL SPRAY.
17. 1/4" OR 1/2" BOLT c/w #2 CRIMP-ON LUG.
18. #2/0 CABLE TRAY BONDING CONNECTOR.

NOTES:

1. ALL WIRING TO THE SKID DEVICES SHALL BE TAKEN FROM THE RIGHTHAND SIDE OF THE TERMINALS, DIRECT WITHOUT SPLICES OF ANY KIND.
2. WIRING FOR ALL DEVICES SHALL BE TAGGED AS PER J.BOX LAYOUTS.
3. FIELD CONTRACTOR TO ENSURE ALL INCOMING/EXITING TECK CABLES ARE c/w GROUNDING BUSHINGS.
4. ALL J.BOXES ARE TO HAVE LAMICOID NAME PLATES AS PER DRAWINGS.
5. FIELD CONTRACTOR WILL BE RESPONSIBLE FOR GROUNDING AS WELL AS THE PACKING AND POURING OF ALL SEALS. THIS APPLIES WHETHER OR NOT THE SKID ARRIVES PRE-WIRED.
6. CONDUIT METHOD WILL BE RA c/w ALL FITTINGS.
7. ALL CABLES TO ENTER/EXIT THE BOTTOM OF THE J.BOXES. ALL CONDUIT TO ENTER/EXIT THE TOP OF THE J.BOXES VIA MYERS HUB.
8. THE INTERIOR OF THIS SKID IS CLASSIFIED CLASS-I ZONE-2. THE EXTERIOR OF THIS SKID IS CLASSIFIED CLASS-I ZONE 2 FOR THE FIRST 3 METERS.
9. INSTALLATION TO BE DONE ACCORDING TO GENERAL SPEC. INCLUDED WITH BID PACKAGE.
10. LEL DETECTORS TO BE INSTALLED USING OWNER SUPPLIED SEPARATION KITS. SEPARATION KITS TO BE MOUNTED ON WALL @ APPROXIMATELY 1500mm TO CENTER.
11. ALL VERTICAL CABLE TRAY RISERS ARE TO BE COMPLETE WITH PROPER SUPPORTS AND ALUMINUM TRAY COVER.
12. WINDOWS AND DOORS ARE NOT TO BE USED FOR VENTILATION.

NO.	REVISION	PROJECT	DSN	DRN	CHK'D	APP'D	DATE
4	2005 EXPANSION ISSUED FOR CONSTRUCTION	43884	BGO	FC	BGO	RLB	05.10.19
3	GENERAL REVISIONS	43884	BGO	FC	BGO		05.10.05
2	2005 EXPANSION ISSUED FOR SKID CONSTRUCTION	43884	BGO	FC	BGO		05.10.04
1	2005 EXPANSION ISSUED FOR BID	43884	BGO	FC	BGO		05.09.26
0	2005 EXPANSION ISSUED FOR APPROVAL	43884	BGO	FC	BGO		05.09.06

PERMIT STAMP:	STAMP APPLIED TO REV. 4 ONLY
GENERAL NOTES:	<ol style="list-style-type: none"> 1. "POST CONSTRUCTION DRAWINGS" ARE GENERATED FROM CONSTRUCTION CHANGE INFORMATION FORWARDED TO BOWER DAMBERGER ROLSETH ENGINEERING LTD. BY THE OWNER'S FIELD SUPERVISORS AND/OR BIDDING CONTRACTORS. ANY CHANGES NOT DOCUMENTED WILL NOT APPEAR ON THE DRAWINGS AND THEREFORE THE DRAWING MAY NOT BE AN ACCURATE REPRESENTATION OF THE CONSTRUCTED FACILITY. 2. PRIOR TO THE COMMENCEMENT OF ANY CONSTRUCTION AND/OR EXCAVATION IT SHALL BE THE RESPONSIBILITY OF THE OWNER'S REPRESENTATIVE TO VERIFY THE LOCATION AND STATUS OF ANY PIPING, ELECTRICAL EQUIPMENT OR BUILDINGS. 3. ANY REVISIONS MADE TO EXISTING EQUIPMENT, PIPING OR ELECTRICAL ON A FACILITY NOT DESIGNED BY B.D.R. ENG. LTD. IS ONLY SHOWN AS A REPRESENTATION OF WHAT EXISTS AND MUST BE VERIFIED BY THE OWNER.

DESIGN	BY	DATE
DRAWN	FC	05.08.19
CHK'D	BGO	05.10.19
APP'D	RLB	05.10.19
L.S.D.	15-10-62-06 W5M	

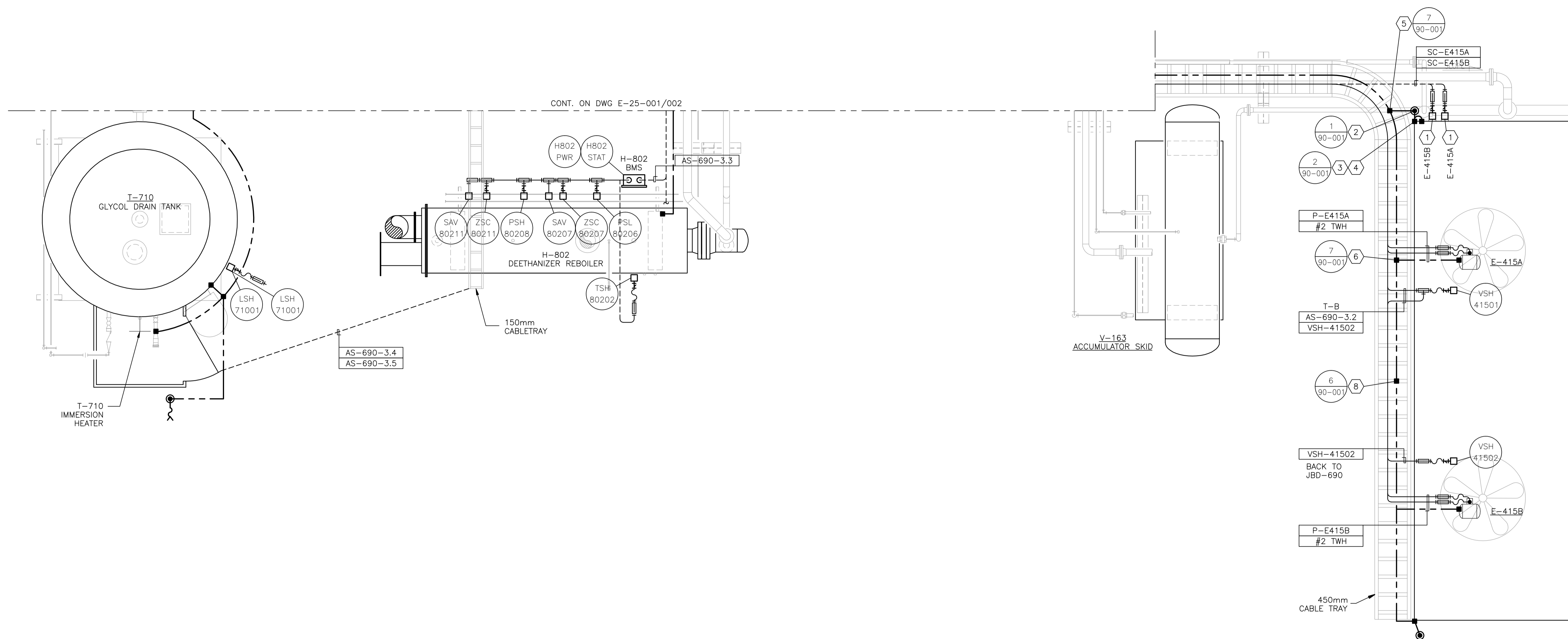
Bower Damberger Rolseth Engineering Ltd.

FORT ENERGY CORPORATION		
CORBETT GAS PLANT K-690 REFRIGERATION BUILDING CONTROL/ANALOG ELECTRICAL LAYOUT		
SCALE	DRAWING NUMBER	REV
1 : 30	D-23212-E-25-002	4



E-415A
REFRIGERANT CONDENSER
15HP 480VAC 3Ø

E-415B
REFRIGERANT CONDENSER
15HP 480VAC 3Ø



BILL OF MATERIALS

(AS REQUIRED)

MATERIALS

1. CROUSE HINDS CEAG #GHG4341115L9003 THREE POSITION CONTROL STATION c/w 2.2kohm SPEED POT, LOCAL/REMOTE SWITCH AND ON/OFF SWITCH. CLASS I, ZONE 1, EXPLOSION PROOF.
2. 300mm x 75mm COPPER CLUB GROUND RODS c/w
 - GROUND WELL;
 - INSPECTION COVER;
 - GROUND ROD CLAMP (#2/0).
3. GROUNDING SERVIT POST - #2/0 OR #2 AS REQUIRED.
4. BUILDING BONDING PLATE c/w #2 CRIMP-ON LUG.
5. #2/0-#2/0 C-TAP SPLICE, INSTALLED c/w TAPE AND GLYPTOL SPRAY.
6. #2/0-#2 C-TAP SPLICE, INSTALLED c/w TAPE AND GLYPTOL SPRAY.
7. 1/4" OR 1/2" BOLT c/w #2 CRIMP-ON LUG.
8. #2/0 CABLE TRAY BONDING CONNECTOR.
9. TRUCK GROUNDING CLAMP.
10. T&B 390x BU BRASS PIPE GROUNDING CLAMP OR EQUIVALENT. (x - THE LAST NUMBER REPRESENTS PIPE SIZE.)

NO.	REVISION	PROJECT	DSN	DRN	CHK'D	APP'D	DATE
3	2005 EXPANSION ISSUED FOR CONSTRUCTION	43884	BGO	FC	BGO	RLB	05.10.19
2	2005 EXPANSION ISSUED FOR SKID CONSTRUCTION	43884	BGO	FC	BGO		05.10.04
1	2005 EXPANSION ISSUED FOR BID	43884	BGO	FC	BGO		05.09.26
0	2005 EXPANSION ISSUED FOR APPROVAL	43884	BGO	FC	BGO		05.09.06

PERMIT STAMP:	STAMP APPLIED TO REV. 3 ONLY
---------------	------------------------------

GENERAL NOTES:

1. "POST CONSTRUCTION DRAWINGS" ARE GENERATED FROM CONSTRUCTION CHANGE INFORMATION FORWARDED TO BOWER DAMBERGER ROLSETH ENGINEERING LTD. BY THE OWNER'S FIELD SUPERVISORS AND/OR BIDDING CONTRACTORS. ANY CHANGES NOT DOCUMENTED WILL NOT APPEAR ON THE DRAWINGS AND THEREFORE THE DRAWING MAY NOT BE AN ACCURATE REPRESENTATION OF THE CONSTRUCTED FACILITY.
2. PRIOR TO THE COMMENCEMENT OF ANY CONSTRUCTION AND/OR EXCAVATION IT SHALL BE THE RESPONSIBILITY OF THE OWNER'S REPRESENTATIVE TO VERIFY THE LOCATION AND STATUS OF ANY PIPING, ELECTRICAL EQUIPMENT OR BUILDINGS.
3. ANY REVISIONS MADE TO EXISTING EQUIPMENT, PIPING OR ELECTRICAL ON A FACILITY NOT DESIGNED BY B.D.R. ENG. LTD. IS ONLY SHOWN AS A REPRESENTATION OF WHAT EXISTS AND MUST BE VERIFIED BY THE OWNER.

	BY	DATE
DESIGN	BGO	05.08.19
DRAWN	FC	05.08.19
CHK'D	BGO	05.10.19
APP'D.	RLB	05.10.19
L.S.D.	15-10-62-06	W5M

Bower Damberger Rolseth Engineering Ltd.

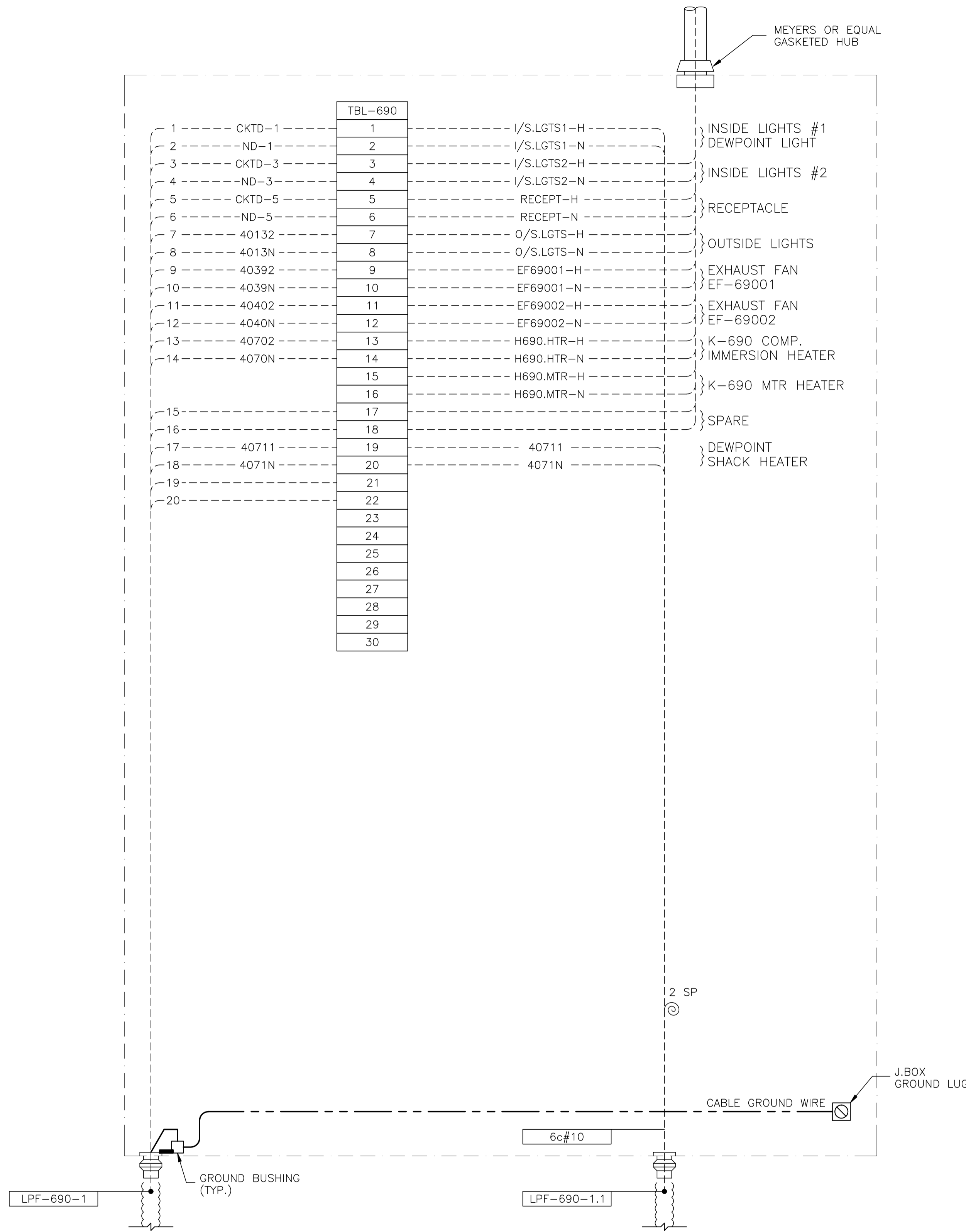
FORT ENERGY CORPORATION

CORBETT GAS PLANT
E-415 REFRIGERANT CONDENSER AREA
ELECTRICAL LAYOUT

SCALE	DRAWING NUMBER	REV
1 : 30	D-23212-E-25-003	3

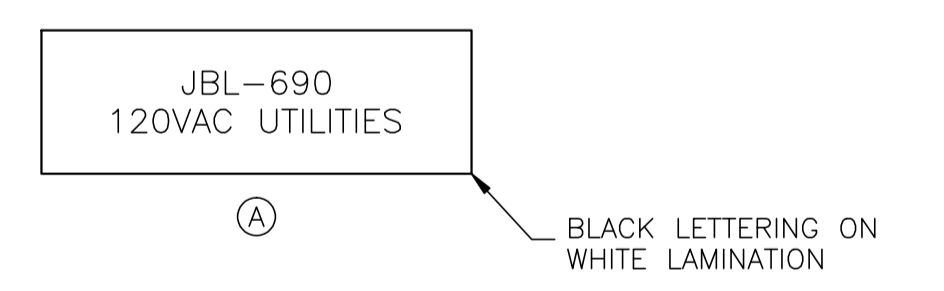
CUSTOM ENCLOSURE BILL OF MATERIALS

ITEM	QTY	DESCRIPTION
1	1	CUSTOM STEEL NEMA 4, WEATHERPROOF RATED ENCLOSURE; - 406mmH x 305mmW x 152mmD (EXTERIOR DIMENSIONS); - FULL HEIGHT DOOR c/w CSD TYPE CLOSURES; - HEAVY DUTY HINGE; - c/w (1) BACKPAN.
2	-	WEIDMULLER WDU-2.5 TERMINALS c/w ACCESSORIES.
3	-	WEIDMULLER WDU-4 TERMINALS c/w ACCESSORIES.
4	30	WEIDMULLER WDU-6 TERMINALS c/w ACCESSORIES.
5	1	WEIDMULLER WAP-2.5/4/6/10 END PLATE.
6	2	WEIDMULLER EW-35 END BRACKET.
7	1	WEIDMULLER SCHK-5 GROUP TAG HOLDER.
8	AS REQ'D	DEKAFIX MARKING TAG (#1-#30).
9	AS REQ'D	WEIDMULLER TS35 MOUNTING RAIL.
10	1	HOFFMAN #A-NMV6 DRAIN SEAL.
11	1	25mm x 75mm LAMICOID.



JBL-690 - 120VAC UTILITIES

LAMICOID/ENGRAVING DETAIL



NO.	REVISION	PROJECT	DSN	DRN	CHK'D	APP'D	DATE
4	POST CONSTRUCTION REVISIONS	43884	BGO	SRM			06.02.14
3	2005 EXPANSION ISSUED FOR CONSTRUCTION	43884	BGO	FC	BGO	RLB	05.10.19
2	2005 EXPANSION ISSUED FOR SKID CONSTRUCTION	43884	BGO	FC	BGO		05.09.26
1	2005 EXPANSION ISSUED FOR BID	43884	BGO	FC	BGO		05.09.26
0	2005 EXPANSION ISSUED FOR APPROVAL	43884	BGO	FC	BGO		05.09.06

PERMIT STAMP:

STAMP APPLIED TO REV. 2 ONLY

GENERAL NOTES:

- "POST CONSTRUCTION DRAWINGS" ARE GENERATED FROM CONSTRUCTION CHANGE INFORMATION FORWARDED TO BOWER DAMBERGER ROLSETH ENGINEERING LTD. BY THE OWNER'S FIELD SUPERVISORS AND/OR BIDDING CONTRACTORS. ANY CHANGES NOT DOCUMENTED WILL NOT APPEAR ON THE DRAWINGS AND THEREFORE THE DRAWING MAY NOT BE AN ACCURATE REPRESENTATION OF THE CONSTRUCTED FACILITY.
- PRIOR TO THE COMMENCEMENT OF ANY CONSTRUCTION AND/OR EXCAVATION IT SHALL BE THE RESPONSIBILITY OF THE OWNER'S REPRESENTATIVE TO VERIFY THE LOCATION AND STATUS OF ANY PIPING, ELECTRICAL, EQUIPMENT OR BUILDINGS.
- ANY REVISIONS MADE TO EXISTING EQUIPMENT, PIPING OR ELECTRICAL ON A FACILITY NOT DESIGNED BY B.D.R. ENG. LTD. IS ONLY SHOWN AS A REPRESENTATION OF WHAT EXISTS AND MUST BE VERIFIED BY THE OWNER.

	BY	DATE
DESIGN	BGO	05.08.19
DRAWN	FC	05.08.19
CHK'D	BGO	05.10.19
APP'D	RLB	05.10.19
L.S.D.	15-10-62-06	W5M

Bower Damberger Rolseth Engineering Ltd.

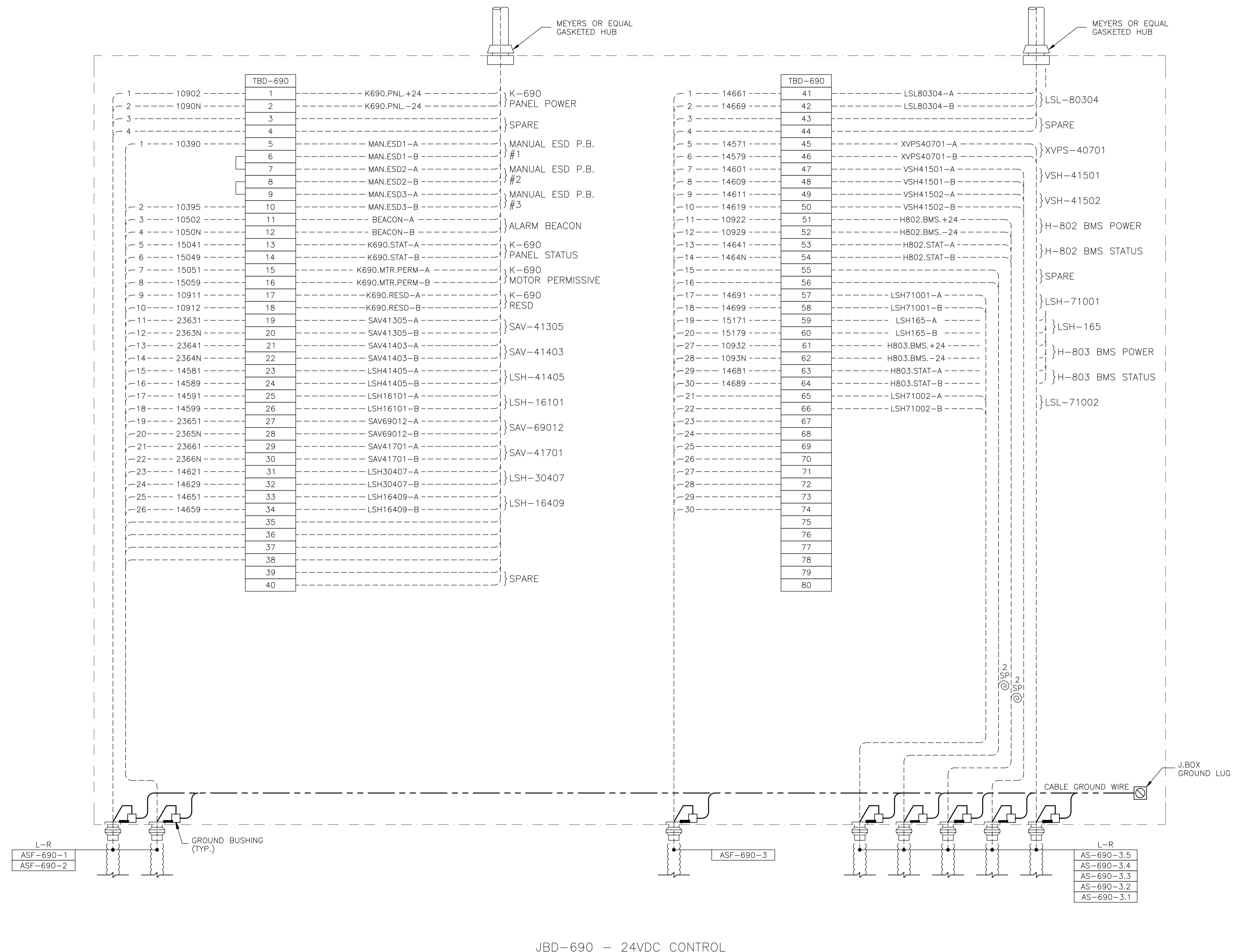
FORT ENERGY CORPORATION

CORBETT GAS PLANT
K-690 REFRIGERANT BUILDING
J.BOX JBL-690 WIRING DETAIL

SCALE	DRAWING NUMBER	REV
N/A	D-23212-E-25-051	4

CUSTOM ENCLOSURE BILL OF MATERIALS

ITEM	QTY	DESCRIPTION
1	1	CUSTOM STEEL NEMA 4, WEATHERPROOF RATED ENCLOSURE; - 406mmH x 406mmW x 152mmD (EXTERIOR DIMENSIONS); - FULL HEIGHT DOOR c/w CSD TYPE CLOSURES; - HEAVY DUTY HINGE; - c/w (1) BACKPAN.
2	-	WEIDMULLER WDU-2.5 TERMINALS c/w ACCESSORIES.
3	80	WEIDMULLER WDU-4 TERMINALS c/w ACCESSORIES.
4	-	WEIDMULLER WDU-6 TERMINALS c/w ACCESSORIES.
5	2	WEIDMULLER WAP-2.5/4/6/10 END PLATE.
6	4	WEIDMULLER EW-35 END BRACKET.
7	2	WEIDMULLER SHT-5 GROUP TAG HOLDER.
8	AS REQ'D	DEKAFIX MARKING TAG (#1-#40, #41-#80).
9	AS REQ'D	WEIDMULLER TS35 MOUNTING RAIL.
10	1	HOFFMAN #A-NM6 DRAIN SEAL.
11	1	25mm x 75mm LAMICOID.



JBD-690 - 24VDC CONTROL

NO.	REVISION	PROJECT	DSN	DRN	CHK'D	APP'D	DATE
4	POST CONSTRUCTION REVISIONS	43884	BGO	SRM			06.02.14
3	2005 EXPANSION ISSUED FOR CONSTRUCTION	43884	BGO	FC	BGO	RLB	05.10.19
2	2005 EXPANSION ISSUED FOR SKID CONSTRUCTION	43884	BGO	FC	BGO		05.10.04
1	2005 EXPANSION ISSUED FOR BID	43884	BGO	FC	BGO		05.09.26
0	2005 EXPANSION ISSUED FOR APPROVAL	43884	BGO	FC	BGO		05.09.06

PERMIT STAMP:

STAMP APPLIED TO REV. 3 ONLY

GENERAL NOTES:
 1. "POST CONSTRUCTION DRAWINGS" ARE GENERATED FROM CONSTRUCTION CHANGE INFORMATION FORWARDED TO BOWER DAMBERGER ROLSETH ENGINEERING LTD. BY THE OWNER'S FIELD SUPERVISORS AND/OR FIELD CONTRACTORS. ANY CHANGES NOT DOCUMENTED WILL NOT APPEAR ON THE DRAWINGS AND THEREFORE THE DRAWING MAY NOT BE AN ACCURATE REPRESENTATION OF THE CONSTRUCTED FACILITY.
 2. PRIOR TO THE COMMENCEMENT OF ANY CONSTRUCTION AND/OR EXCAVATION IT SHALL BE THE RESPONSIBILITY OF THE OWNER'S REPRESENTATIVE TO VERIFY THE LOCATION AND STATUS OF ANY PIPING, ELECTRICAL, EQUIPMENT OR BUILDINGS.
 3. ANY REVISIONS MADE TO EXISTING EQUIPMENT, PIPING OR ELECTRICAL ON A FACILITY NOT DESIGNED BY B.D.R. ENG. LTD. IS ONLY SHOWN AS A REPRESENTATION OF WHAT EXISTS AND MUST BE VERIFIED BY THE OWNER.

DESIGN	BY	DATE
BGO	BGO	05.08.19
DRAWN	FC	05.08.19
CHK'D	BGO	05.10.19
APP'D	RLB	05.10.19
L.S.D.	15-10-62-06	W5M

Bower Damberger Rolseth Engineering Ltd.

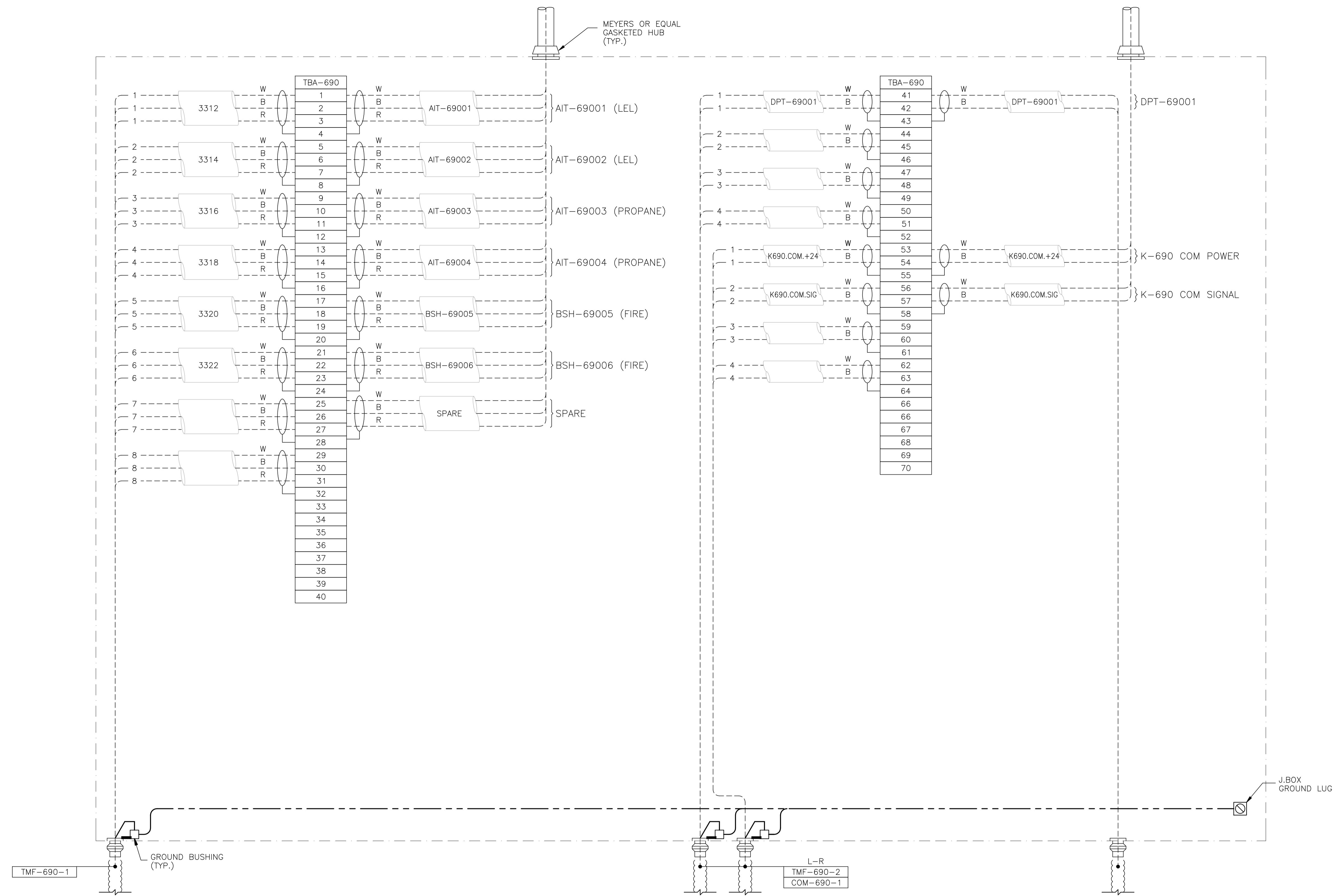
FORT ENERGY CORPORATION

CORBETT GAS PLANT
 K-690 REFRIGERANT BUILDING
 J.BOX JBD-690 WIRING DETAIL

SCALE	DRAWING NUMBER	REV
N/A	D-23212-E-25-052	4

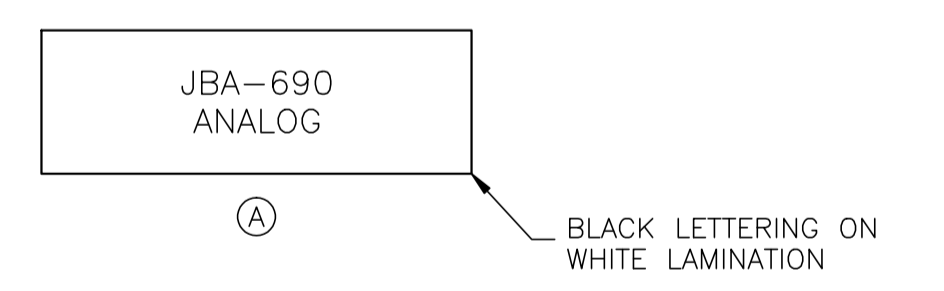
CUSTOM ENCLOSURE BILL OF MATERIALS

ITEM	QTY	DESCRIPTION
1	1	CUSTOM STEEL NEMA 4, WEATHERPROOF RATED ENCLOSURE; - 406mmH x 406mmW x 152mmD (EXTERIOR DIMENSIONS); - FULL HEIGHT DOOR c/w CSD TYPE CLOSURES; - HEAVY DUTY HINGE; - c/w (1) BACKPAN.
2	-	WEIDMULLER WDU-2.5 TERMINALS c/w ACCESSORIES.
3	70	WEIDMULLER WDU-4 TERMINALS c/w ACCESSORIES.
4	-	WEIDMULLER WDU-6 TERMINALS c/w ACCESSORIES.
5	2	WEIDMULLER WAP-2.5/4/6/10 END PLATE.
6	4	WEIDMULLER EW-35 END BRACKET.
7	2	WEIDMULLER SHT-5 GROUP TAG HOLDER.
8	TM REQ'D	DEKAFIX MARKING TAG (#1-#40, #41-#70).
9	TM REQ'D	WEIDMULLER TS35 MOUNTING RAIL.
10	1	HOFFMAN #A-NMV6 DRAIN SEAL.
11	1	25mm x 75mm LAMICOID.



JBA-690 - ANALOG

LAMICOID/ENGRAVING DETAIL



NO.	REVISION	PROJECT	DSN	DRN	CHK'D	APP'D	DATE
4	POST CONSTRUCTION REVISIONS	43884	BGO	SRM			06.02.14
3	2005 EXPANSION ISSUED FOR CONSTRUCTION	43884	BGO	FC	BGO	RLB	05.10.19
2	2005 EXPANSION ISSUED FOR SKID CONSTRUCTION	43884	BGO	FC	BGO		05.10.04
1	2005 EXPANSION ISSUED FOR BID	43884	BGO	FC	BGO		05.09.26
0	2005 EXPANSION ISSUED FOR APPROVAL	43884	BGO	FC	BGO		05.09.06

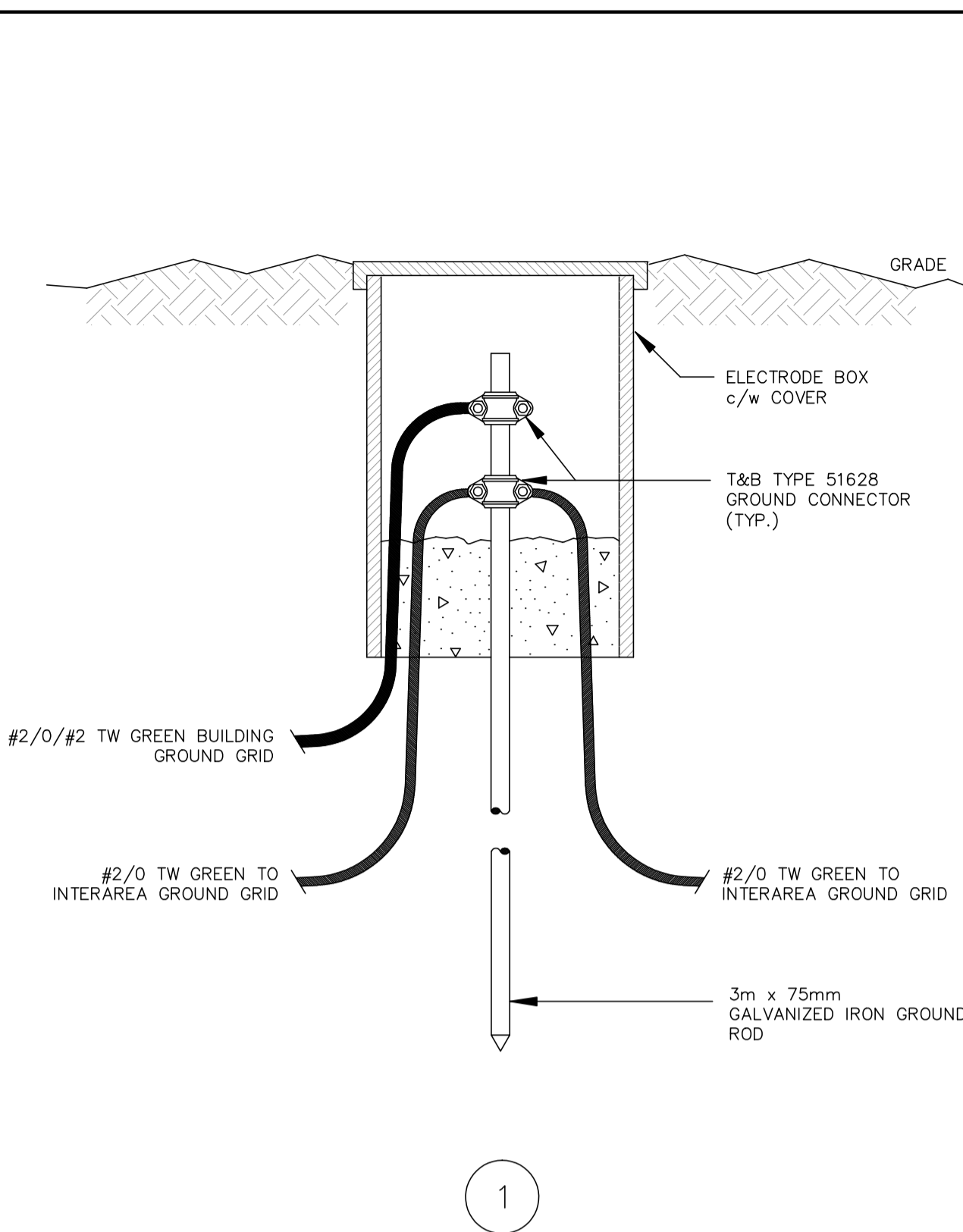
PERMIT STAMP:	STAMP APPLIED TO REV. 3 ONLY
---------------	------------------------------

GENERAL NOTES:
 1. "POST CONSTRUCTION DRAWINGS" ARE GENERATED FROM CONSTRUCTION CHANGE INFORMATION FORWARDED TO BOWER DAMBERGER ROLSETH ENGINEERING LTD. BY THE OWNER'S FIELD SUPERVISORS AND/OR MISC CONTRACTORS. ANY CHANGES NOT DOCUMENTED WILL NOT APPEAR ON THE DRAWINGS AND THEREFORE THE DRAWING MAY NOT BE AN ACCURATE REPRESENTATION OF THE CONSTRUCTED FACILITY.
 2. PRIOR TO THE COMMENCEMENT OF ANY CONSTRUCTION AND/OR EXCAVATION IT SHALL BE THE RESPONSIBILITY OF THE OWNER'S REPRESENTATIVE TO VERIFY THE LOCATION AND STATUS OF ANY PIPING, ELECTRICAL, EQUIPMENT OR BUILDINGS.
 3. ANY REVISIONS MADE TO EXISTING EQUIPMENT, PIPING OR ELECTRICAL ON A FACILITY NOT DESIGNED BY B.D.R. ENG. LTD. IS ONLY SHOWN AS A REPRESENTATION OF WHAT EXISTS AND MUST BE VERIFIED BY THE OWNER.

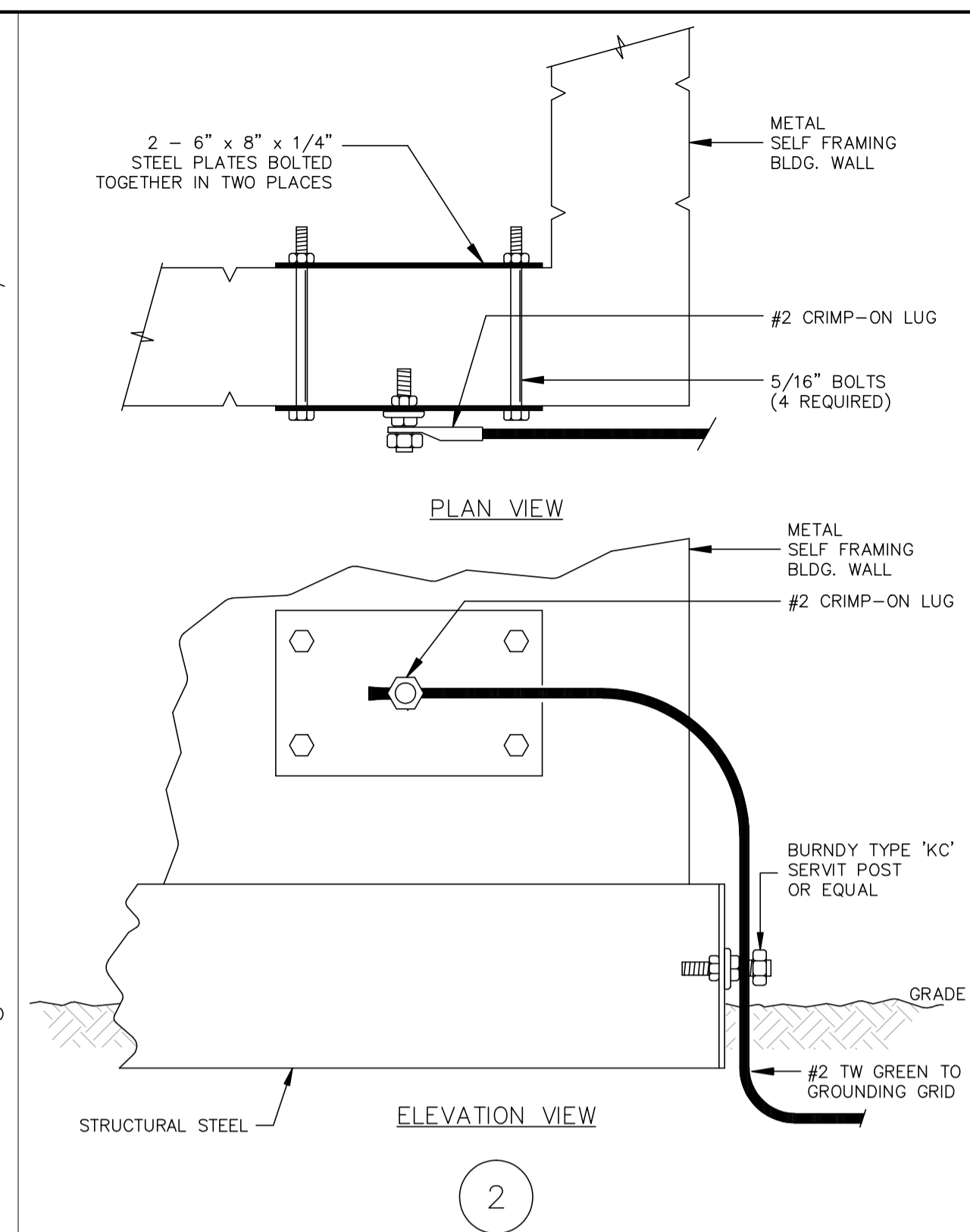
	BY	DATE
DESIGN	BGO	05.08.19
DRAWN	FC	05.08.19
CHK'D	BGO	05.10.19
APP'D	RLB	05.10.19
L.S.D.	15-10-62-06 WSM	



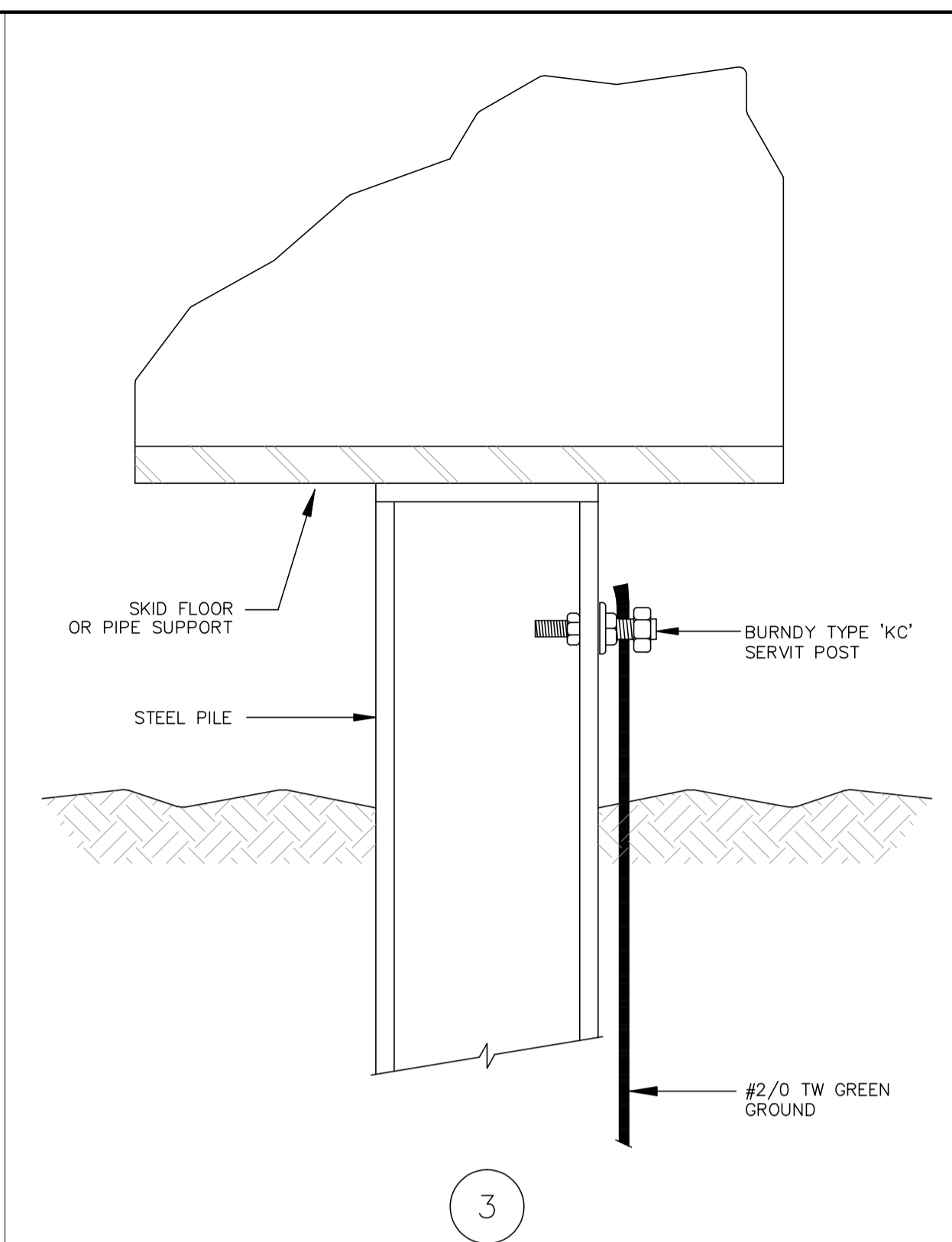
FORT ENERGY CORPORATION		
CORBETT GTM PLANT K-690 REFRIGERANT BUILDING J.BOX JBA-690 WIRING DETAIL		
SCALE	DRAWING NUMBER	REV
N/A	D-23212-E-25-053	4



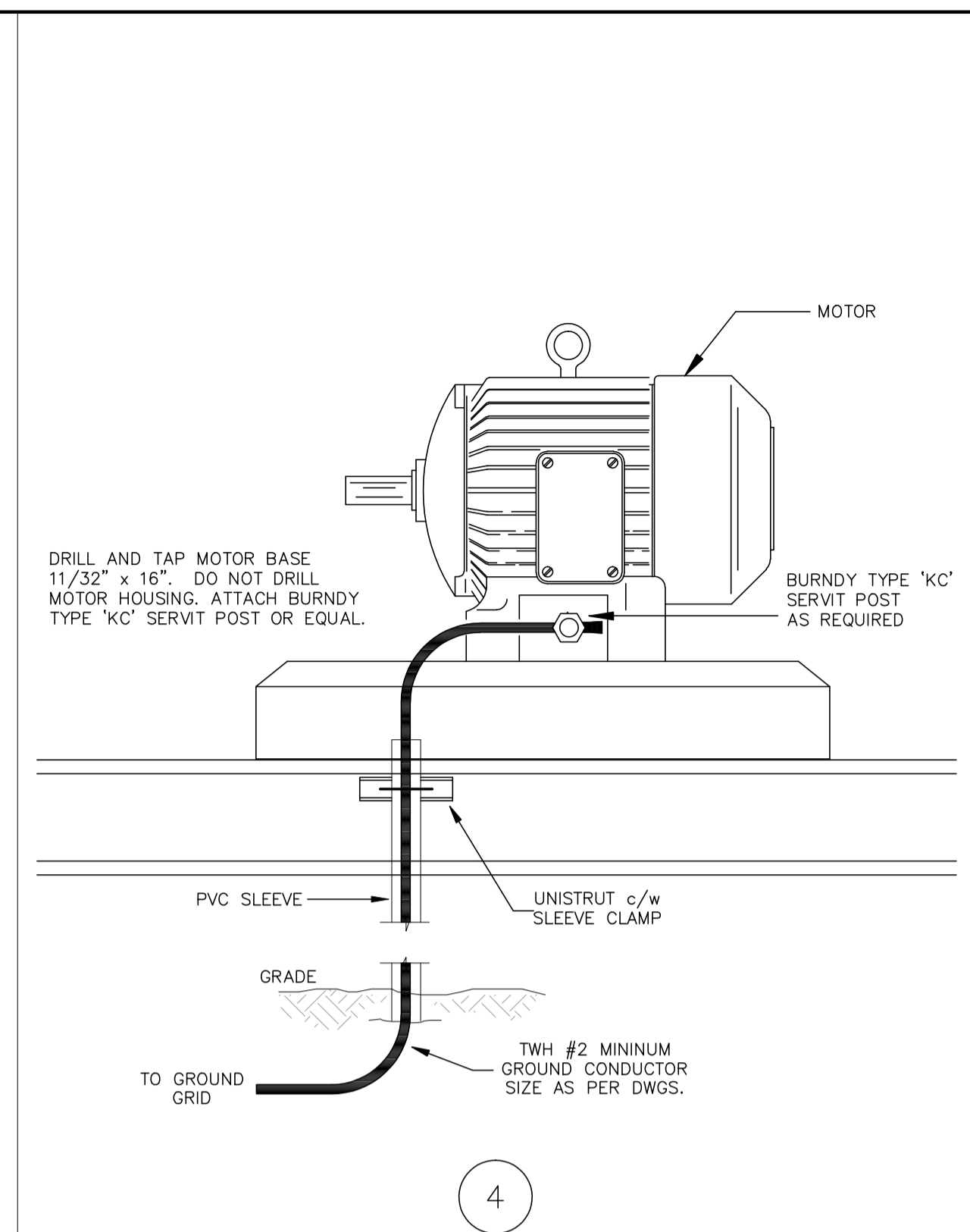
TYPICAL GROUND ROD CONNECTION DETAIL



TYPICAL METAL BUILDING GROUND DETAIL

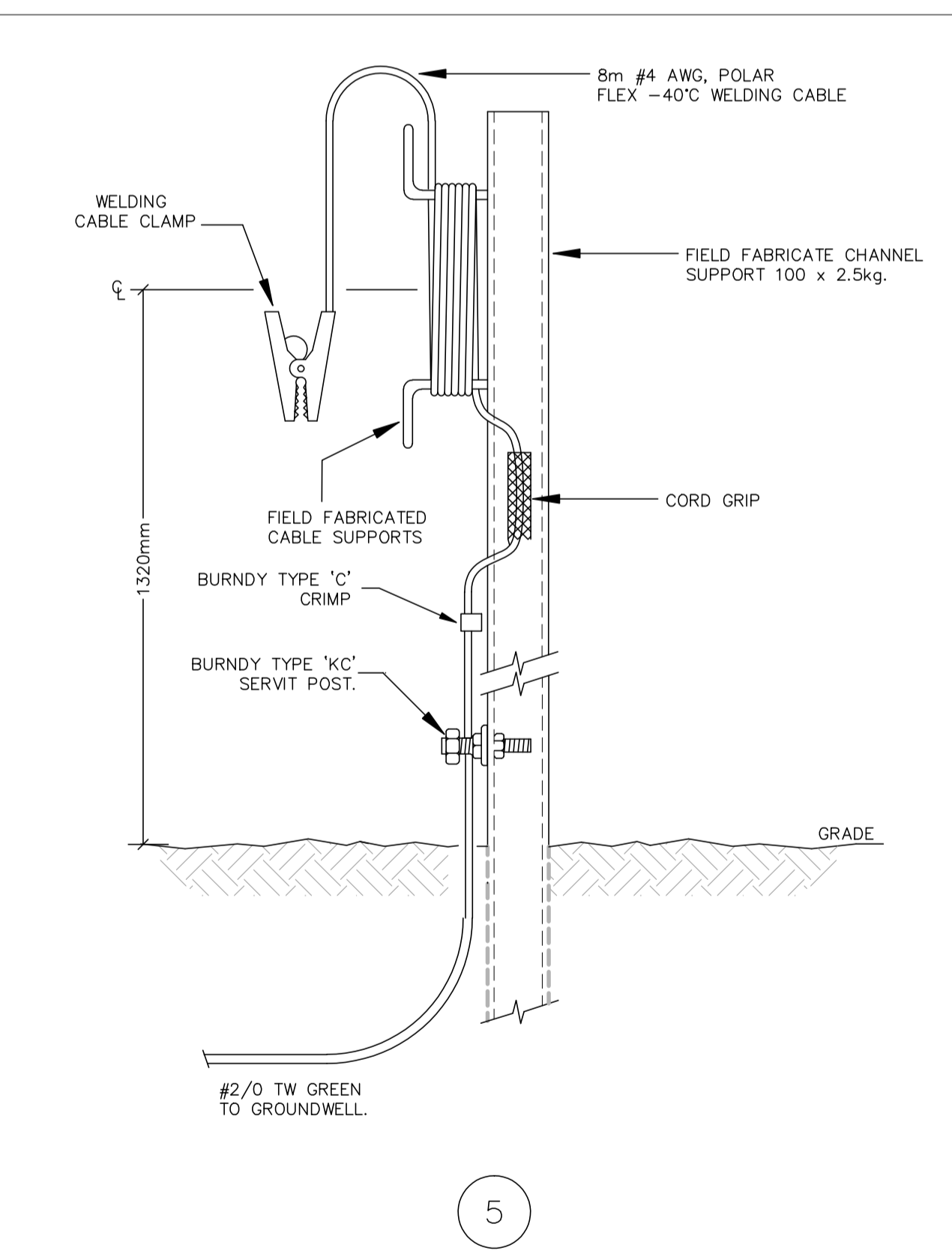


TYPICAL GROUND PILE OR SUPPORT DETAIL

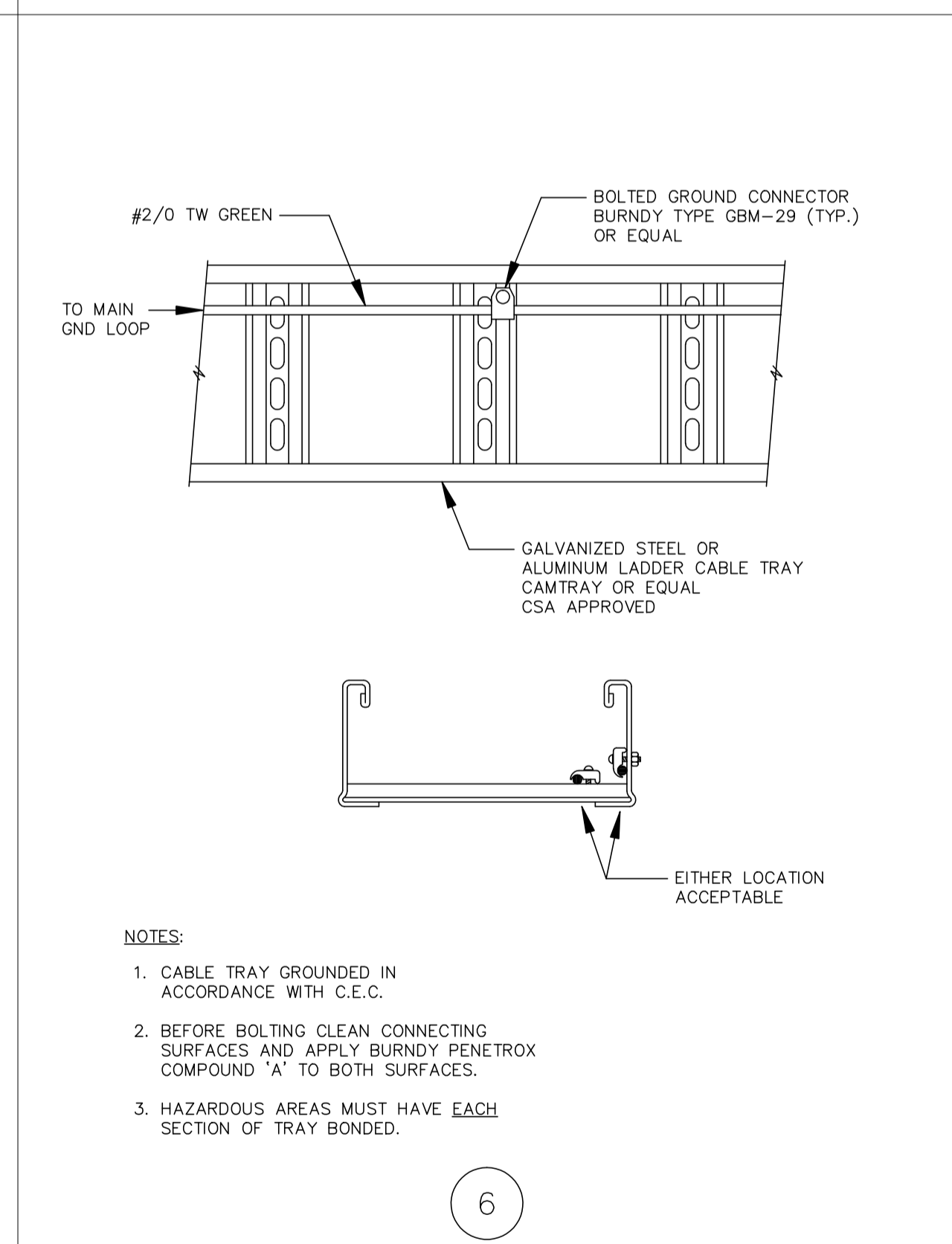


TYPICAL MOTOR AND EQUIPMENT

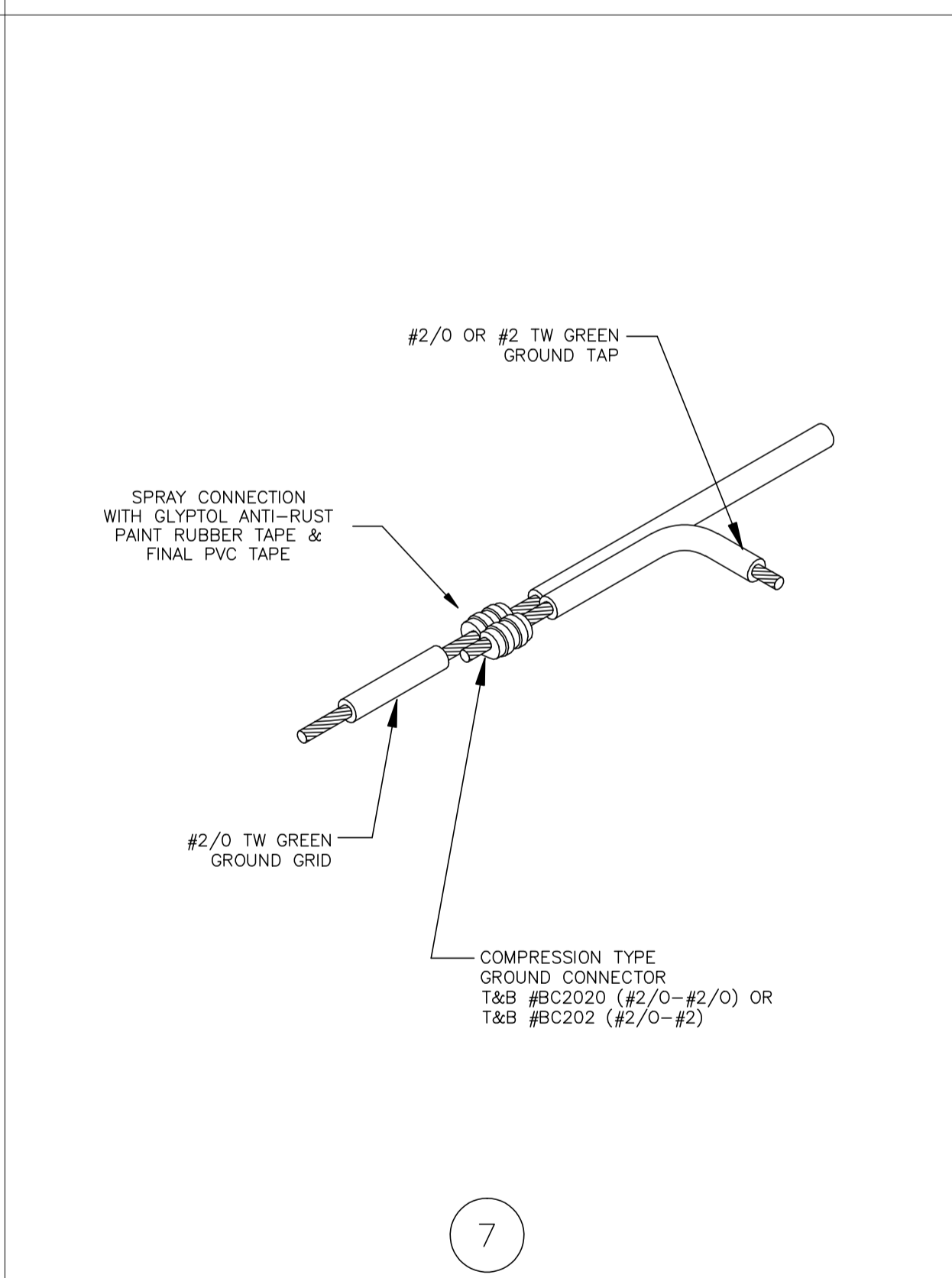
- GROUNDING NOTES:**
- GROUNDING WIRE IS TO BE SIZED AS INDICATED AND TO BE TW GREEN.
 - ALL GROUND WIRE TO HAVE A MINIMUM OF 450MM COVER TO FINISHED GRADE.
 - ALL EQUIPMENT MUST BE CONNECTED TO THE GROUND GRID AS INDICATED AND AS PER CSA STANDARDS.
 - INTERBUILDING GROUNDING CONNECTIONS TO BE BOLTED TO EQUIPMENT SKIDS.
 - ALL GROUNDING CONNECTIONS AND BARED WIRE IN THE GROUNDING SYSTEM TO BE COVERED WITH TWO COATS OF CGE "GLYPTOL".
 - ALL GROUNDING WIRE TO BE PULLED THROUGH CONDUIT (SIZE AS SPECIFIED) WHEN LEAVING FLOOR SLABS OR GROUND LEVELS AS REQUIRED.
 - DRIVE TOP OF GROUND ROD 300MM BELOW GRADE AND TAMP DIRT OVER. RODS ARE TO BE 3/4" DIA. X 10'-0" LONG GALVANIZED AND SPACED A MINIMUM OF 10'-0" APART.
 - ALL ELECTRICAL WORK IS TO CONFORM TO CSA STANDARDS. AREA CLASSIFICATIONS ARE INDICATED ON THE DRAWINGS AS PER BUILDING OR AREA.
 - ALL GROUNDING CONDUIT TO BE RIGID ALUMINUM AS REQUIRED.



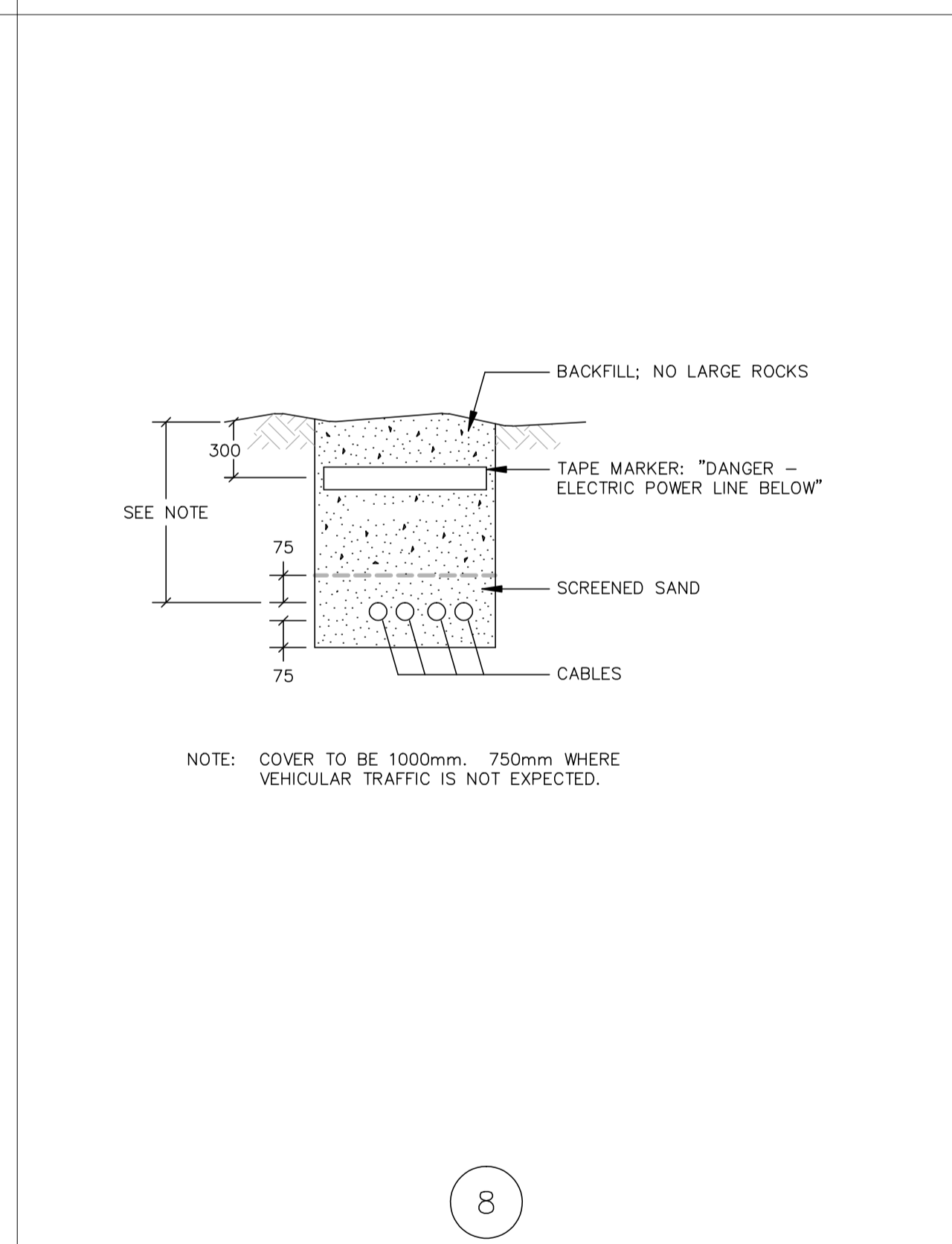
TYPICAL TRUCKOUT GROUNDING DETAIL



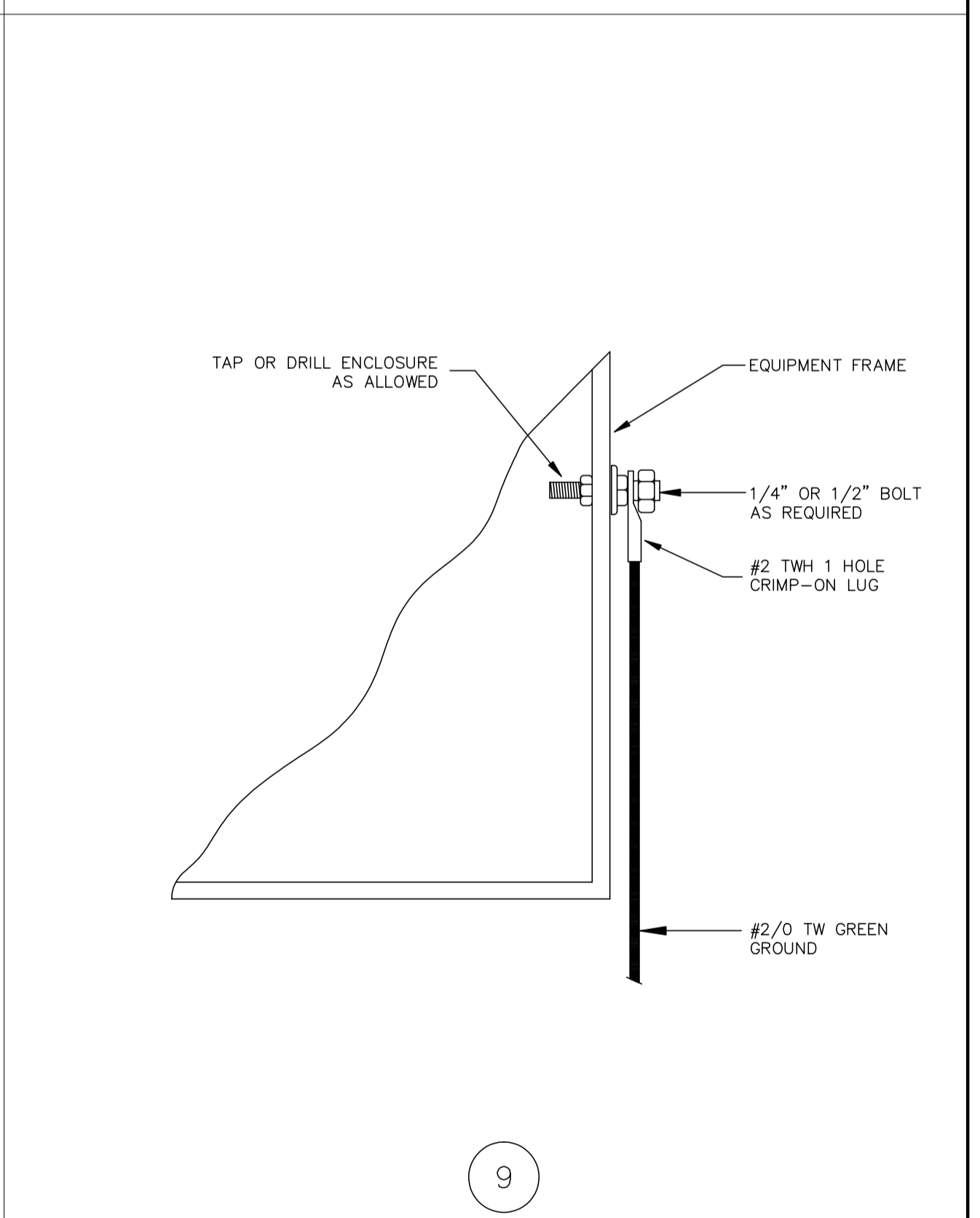
TYPICAL CABLE TRAY GROUND



TYPICAL GROUND TAP DETAIL



TYPICAL TRENCHING DETAIL



TYPICAL EQUIPMENT GROUND DETAIL

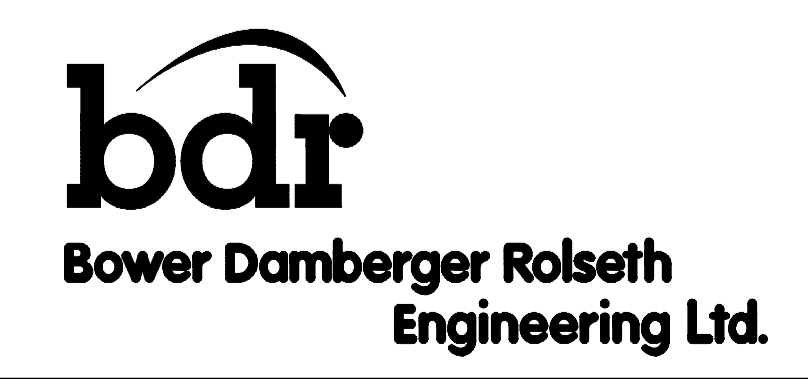
NO.	REVISION	PROJ. No.	BY	DATE	CHK.	DATE
0	ISSUED FOR INFORMATION	43648	FC	04.10.07	BGO	04.10.13

PERMIT STAMP:

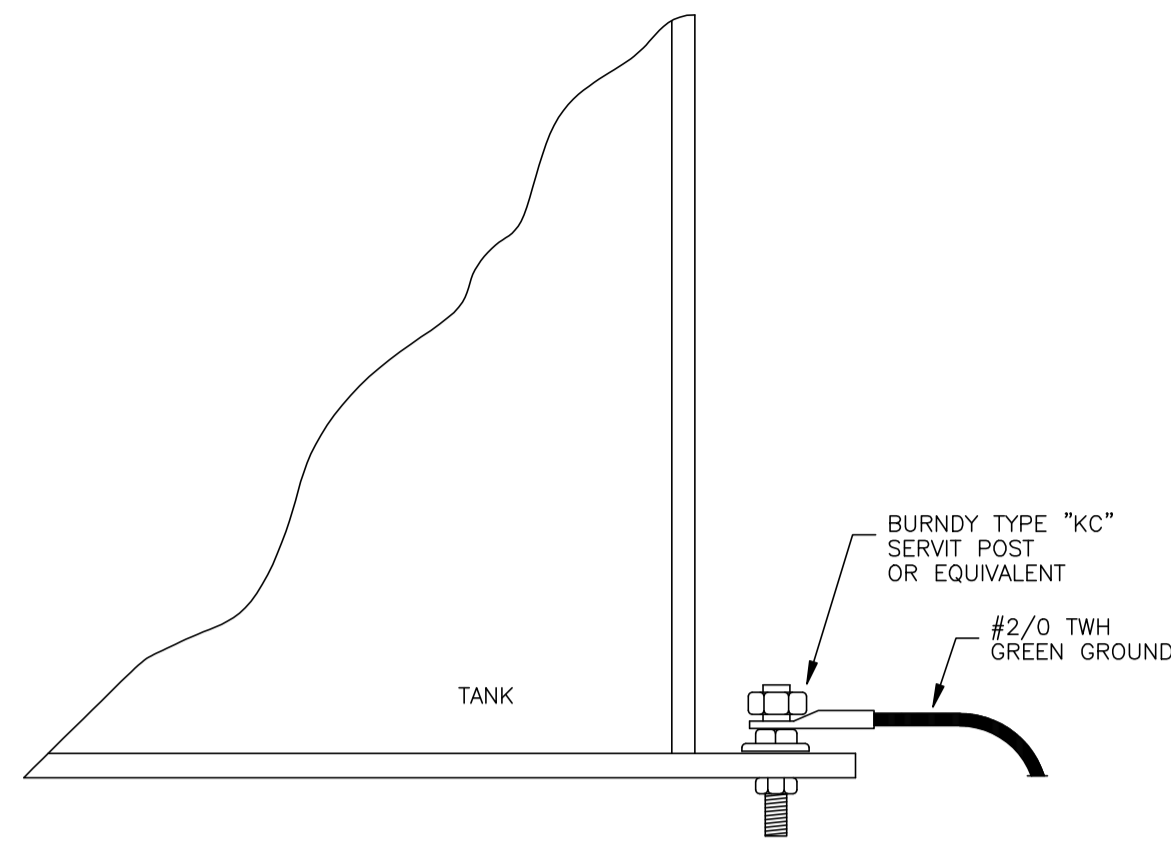
GENERAL NOTES:

- "POST CONSTRUCTION DRAWINGS" ARE GENERATED FROM CONSTRUCTION CHANGE INFORMATION FORWARDED TO BOWER DAMBERGER ROLSETH ENGINEERING LTD. BY THE OWNER'S FIELD SUPERVISORS AND/OR FIELD CONTRACTORS. ANY CHANGES NOT DOCUMENTED WILL NOT APPEAR ON THE DRAWINGS AND THEREFORE THE DRAWING MAY NOT BE AN ACCURATE REPRESENTATION OF THE CONSTRUCTED FACILITY.
- PRIOR TO THE COMMENCEMENT OF ANY CONSTRUCTION AND OR EXCAVATION IT SHALL BE THE RESPONSIBILITY OF THE OWNER'S REPRESENTATIVE TO VERIFY THE LOCATION AND STATUS OF ANY PIPING, ELECTRICAL, EQUIPMENT OR BUILDINGS.
- ANY REVISIONS MADE TO EXISTING EQUIPMENT, PIPING OR ELECTRICAL ON A FACILITY NOT DESIGNED BY B.D.R. ENG. LTD. IS ONLY SHOWN AS A REPRESENTATION OF WHAT EXISTS AND MUST BE VERIFIED BY THE OWNER.

BY	DATE
DRN. FC	04.10.07
CHK.	
APP'D.	
L.S.D.	15-10-62-06 WSM

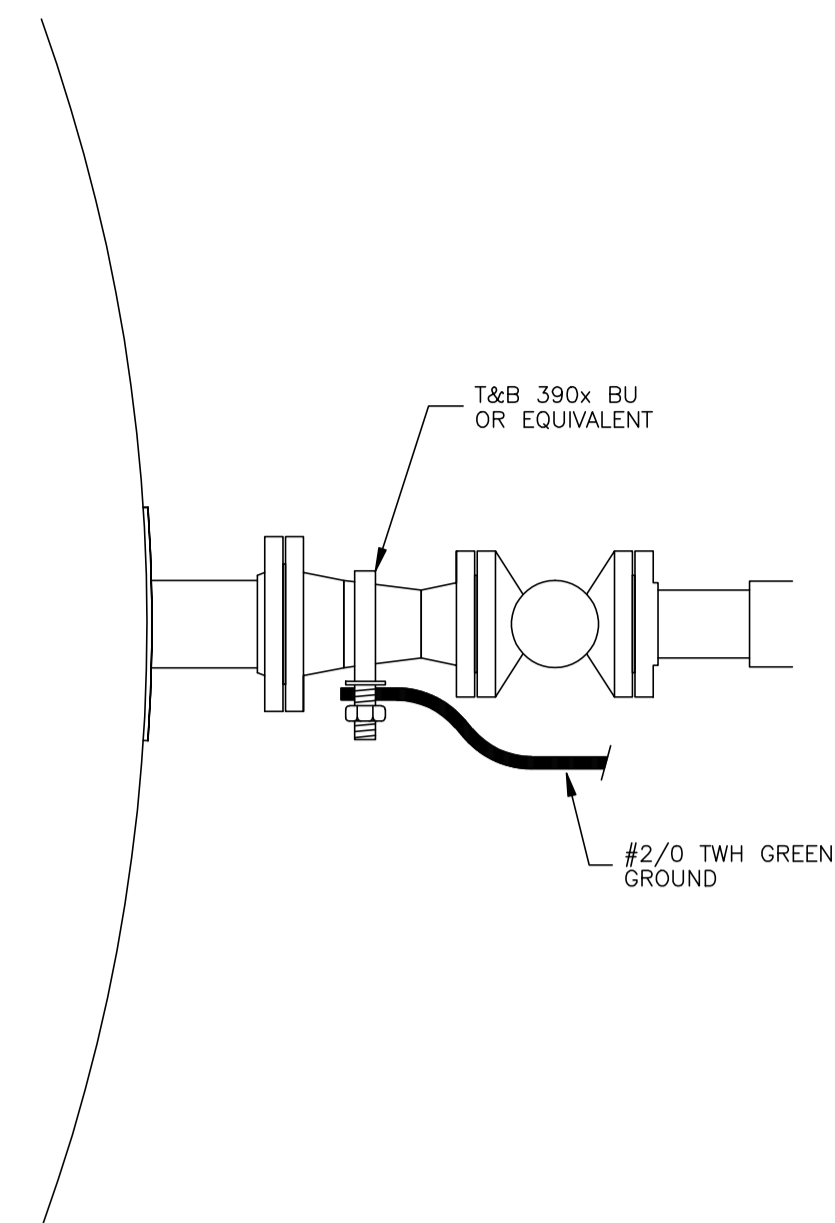


FORT ENERGY CORPORATION		
CORBETT GAS PLANT GROUNDING DETAILS		
SCALE	DRAWING NUMBER	REV
N/A	D-23212-E-90-001	0



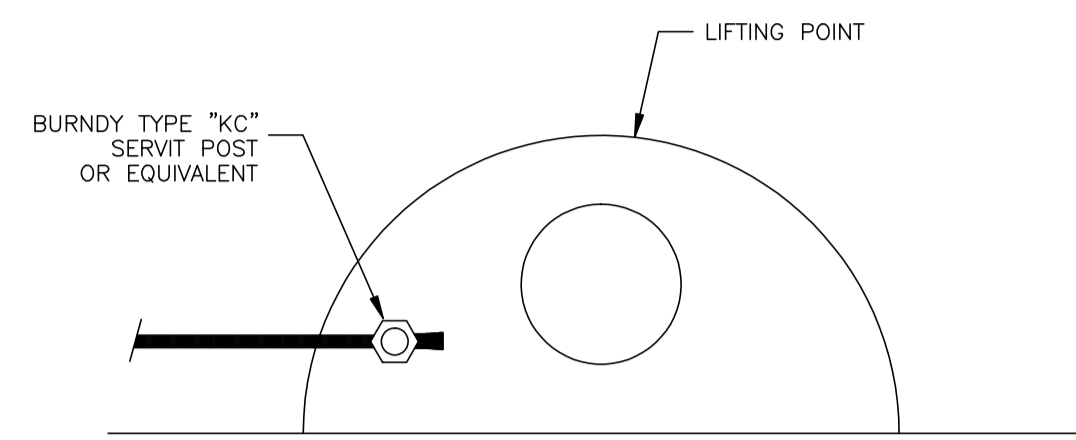
10

TYPICAL TANK GROUNDING DETAIL



11

TYPICAL TRUCK CONNECTION LINE GROUNDING DETAIL



12

TYPICAL NON-CATHODICALLY PROTECTED UNDERGROUND TANK GROUNDING DETAIL

GROUNDING NOTES:

1. GROUNDING WIRE IS TO BE SIZED AS INDICATED AND TO BE TW GREEN.
2. ALL GROUND WIRE TO HAVE A MINIMUM OF 450MM COVER TO FINISHED GRADE.
3. ALL EQUIPMENT MUST BE CONNECTED TO THE GROUND GRID AS INDICATED AND AS PER CSA STANDARDS.
4. INTERBUILDING GROUNDING CONNECTIONS TO BE BOLTED TO EQUIPMENT SKIDS.
5. ALL GROUNDING CONNECTIONS AND BARED WIRE IN THE GROUNDING SYSTEM TO BE COVERED WITH TWO COATS OF CGE "GLYPTOL".
6. ALL GROUNDING WIRE TO BE PULLED THROUGH CONDUIT (SIZE AS SPECIFIED) WHEN LEAVING FLOOR SLABS OR GROUND LEVELS AS REQUIRED.
7. DRIVE TOP OF GROUND ROD 300MM BELOW GRADE AND TAMP DIRT OVER. RODS ARE TO BE 3/4" DIA. X 10'-0" LONG GALVANIZED AND SPACED A MINIMUM OF 10'-0" APART.
8. ALL ELECTRICAL WORK IS TO CONFORM TO CSA STANDARDS. AREA CLASSIFICATIONS ARE INDICATED ON THE DRAWINGS AS PER BUILDING OR AREA.
9. ALL GROUNDING CONDUIT TO BE RIGID ALUMINUM AS REQUIRED.

NO.	REVISION	PROJ. No.	BY	DATE	CHK.	DATE
0	ISSUED FOR INFORMATION	43648	FC	04.10.07	BGO	04.10.13

PERMIT STAMP:

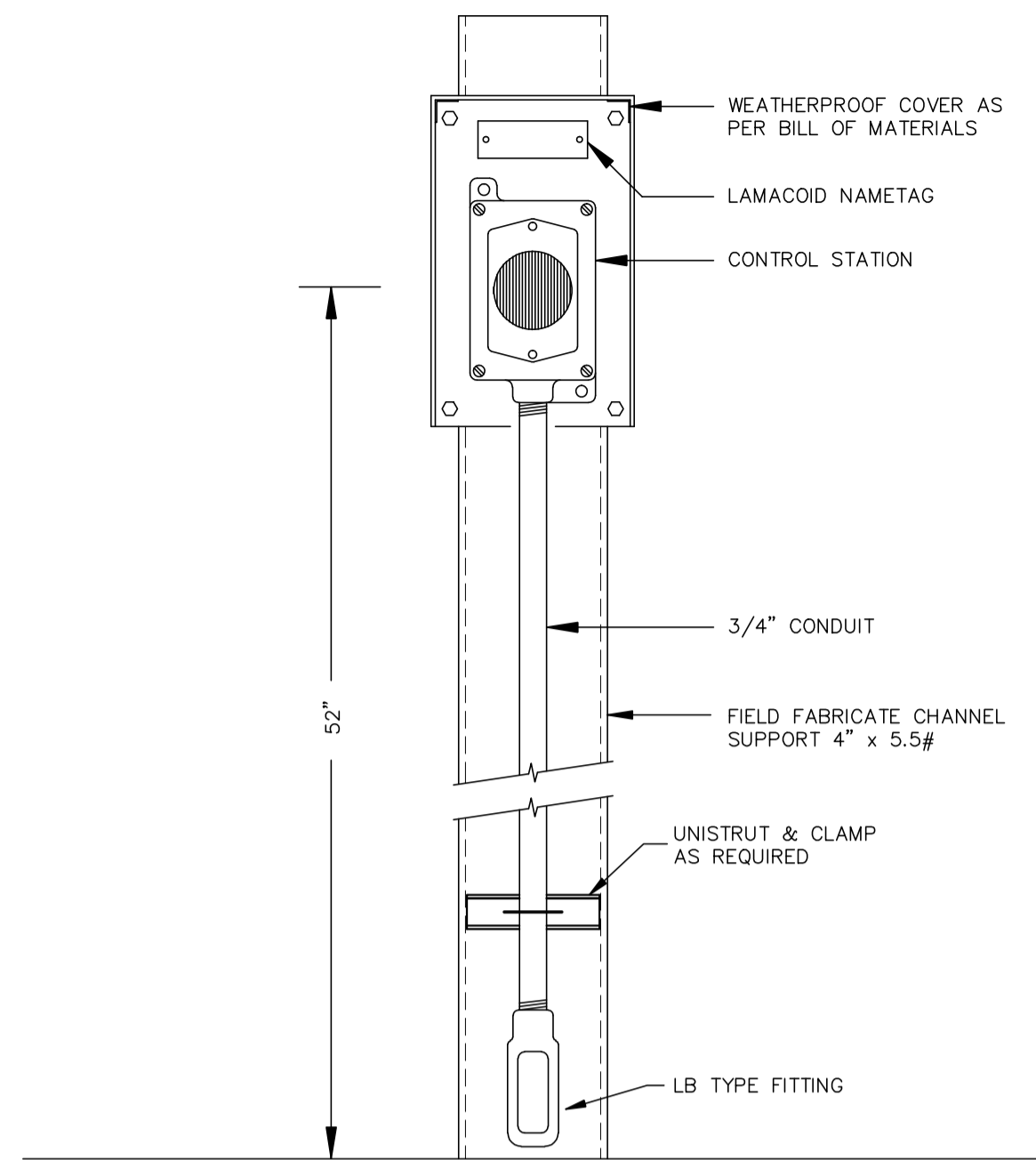
--	--	--	--	--	--

GENERAL NOTES:

1. "POST CONSTRUCTION DRAWINGS" ARE GENERATED FROM CONSTRUCTION CHANGE INFORMATION FORWARDED TO BOWER DAMBERGER ROLSETH ENGINEERING LTD. BY THE OWNER'S FIELD SUPERVISORS AND/OR FIELD CONTRACTORS. ANY CHANGES NOT DOCUMENTED WILL NOT APPEAR ON THE DRAWINGS AND THEREFORE THE DRAWING MAY NOT BE AN ACCURATE REPRESENTATION OF THE CONSTRUCTED FACILITY.
2. PRIOR TO THE COMMENCEMENT OF ANY CONSTRUCTION AND/OR EXCAVATION IT SHALL BE THE RESPONSIBILITY OF THE OWNER'S REPRESENTATIVE TO VERIFY THE LOCATION AND STATUS OF ANY PIPING, ELECTRICAL, EQUIPMENT OR BUILDINGS.
3. ANY REVISIONS MADE TO EXISTING EQUIPMENT, PIPING OR ELECTRICAL ON A FACILITY NOT DESIGNED BY B.D.R. ENG. LTD. IS ONLY SHOWN AS A REPRESENTATION OF WHAT EXISTS AND MUST BE VERIFIED BY THE OWNER.

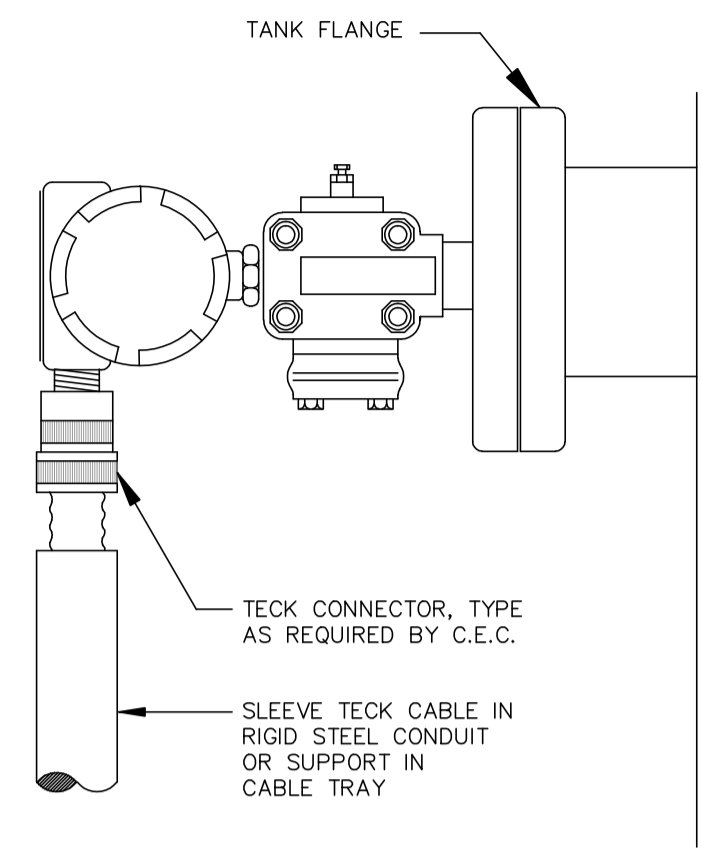
	BY	DATE
DRN.	FC	04.10.07
CHK.		
APP'D.		
L.S.D.	15-10-62-06	WSM

FORT ENERGY CORPORATION		
CORBETT GAS PLANT GROUNDING DETAILS		
SCALE	DRAWING NUMBER	REV
N/A	D-23212-E-90-002	0



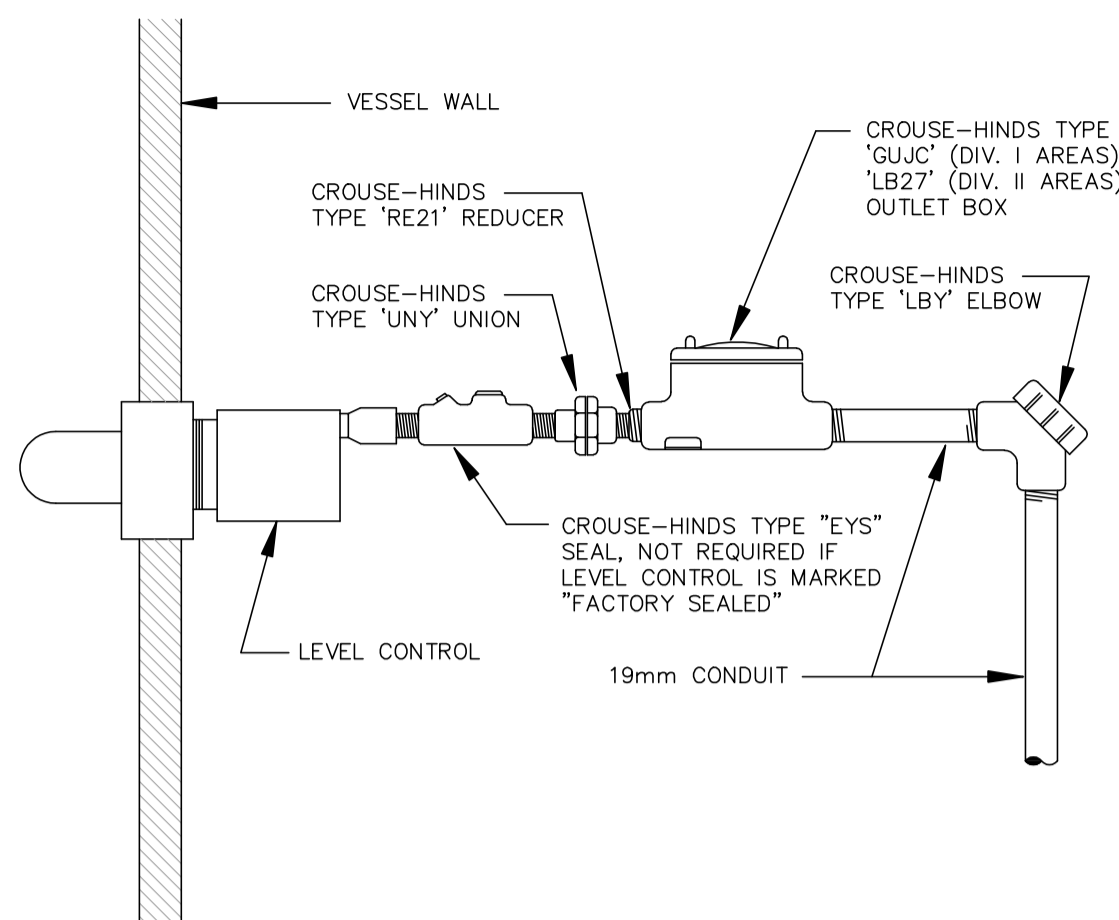
1

TYPICAL ESD/CONTROL SWITCH (DIV 2 AREA)



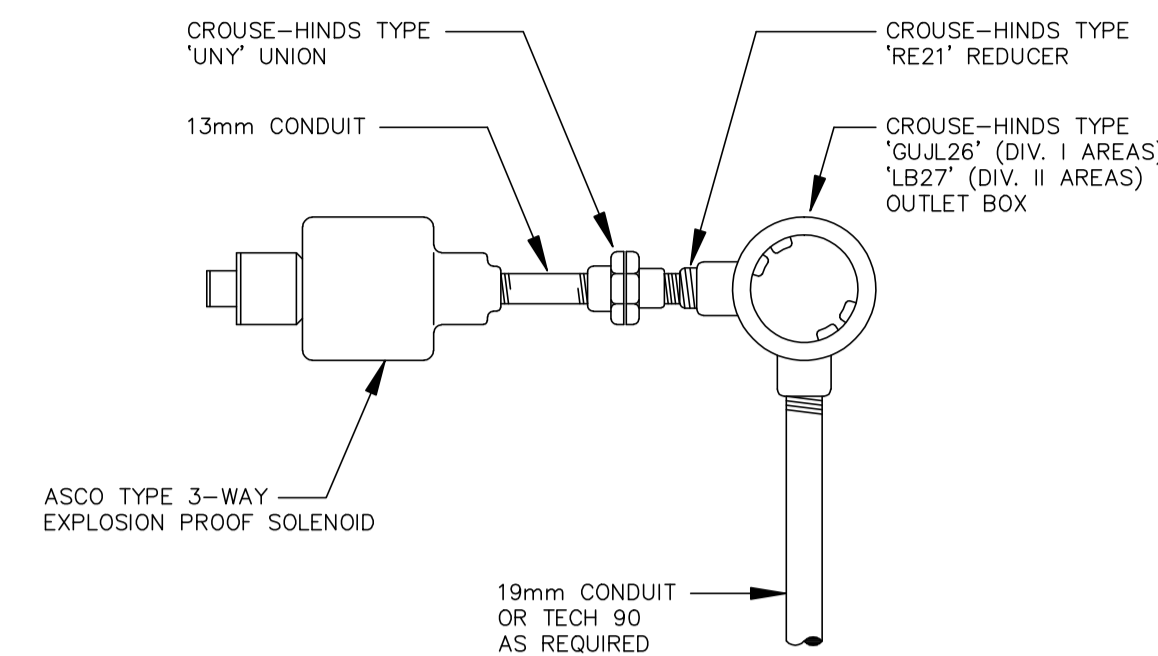
2

TYPICAL LEVEL TRANSMITTER CONNECTION DETAIL



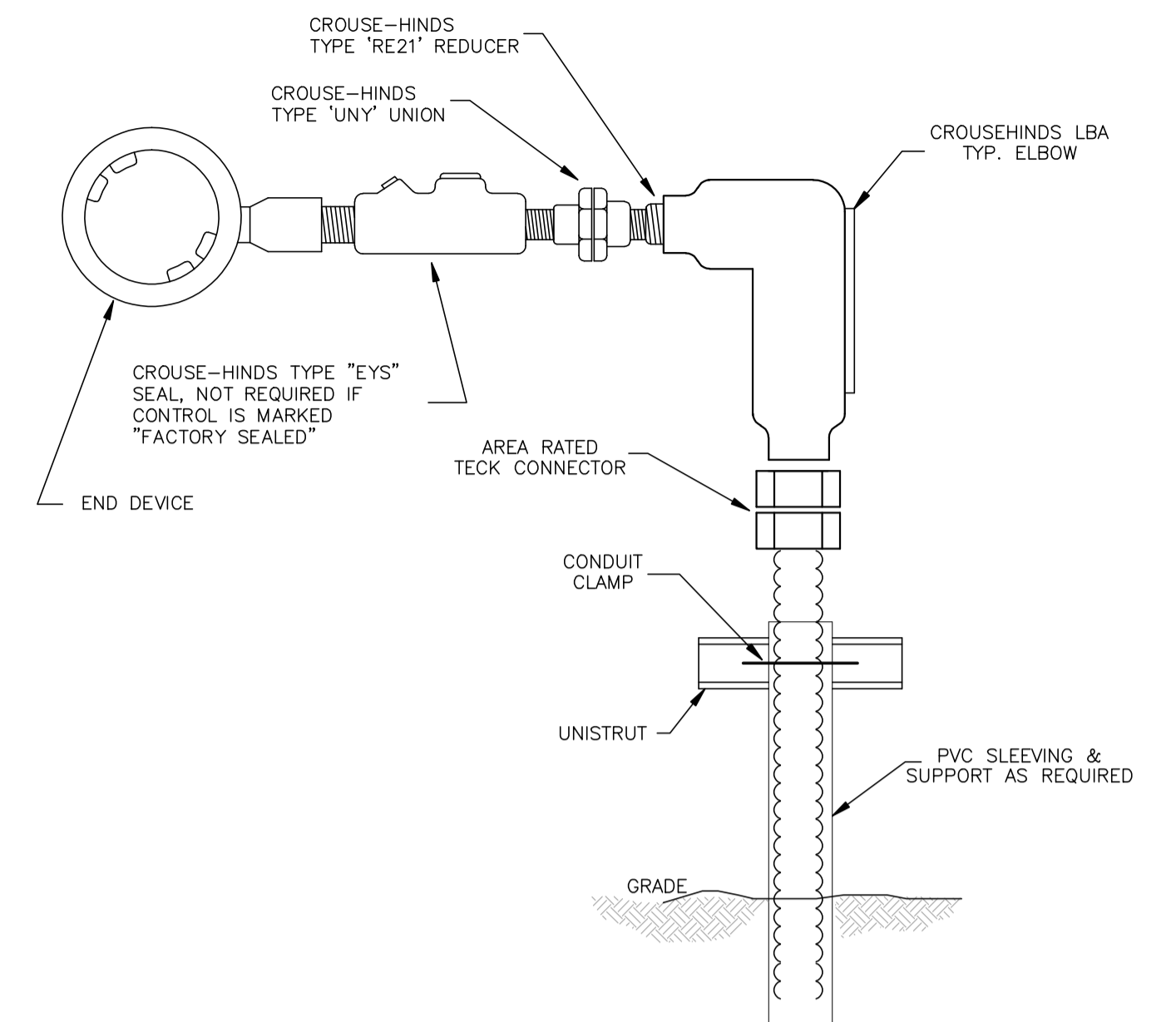
3

TYPICAL LEVEL SWITCH CONNECTION DETAIL



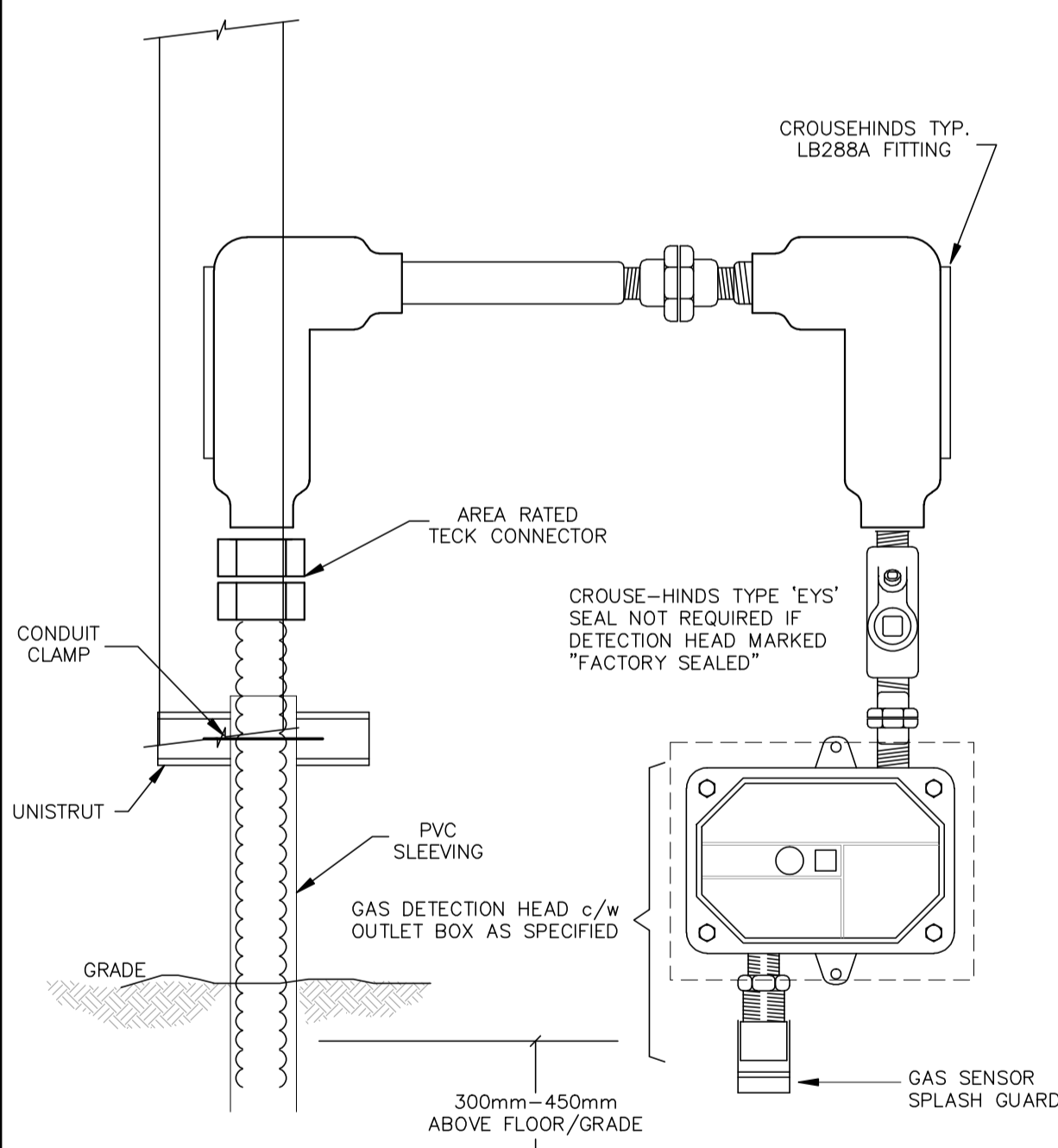
4

TYPICAL SOLENOID VALVE CONNECTION DETAIL



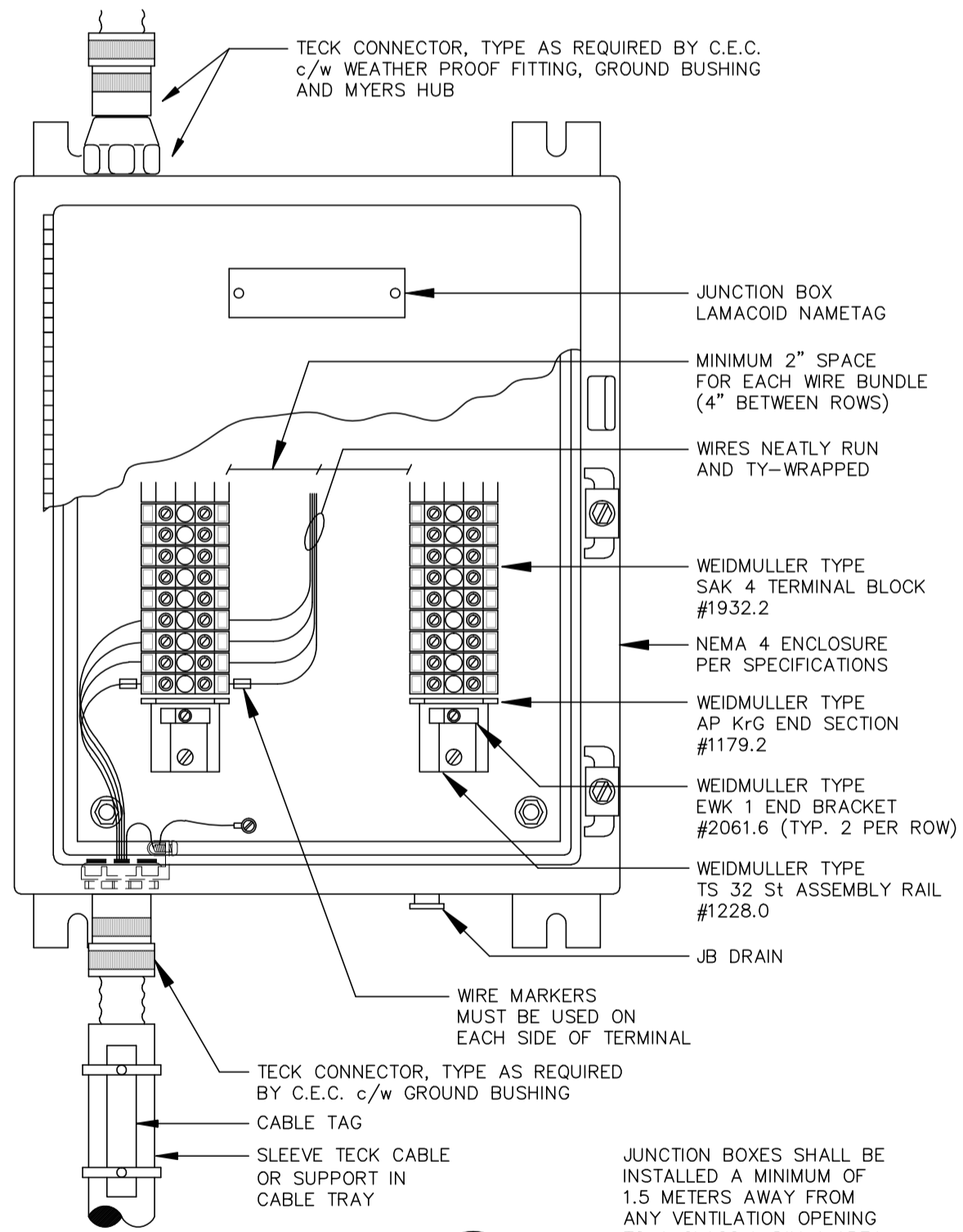
5

TYPICAL TECK TO END DEVICE CONNECT.



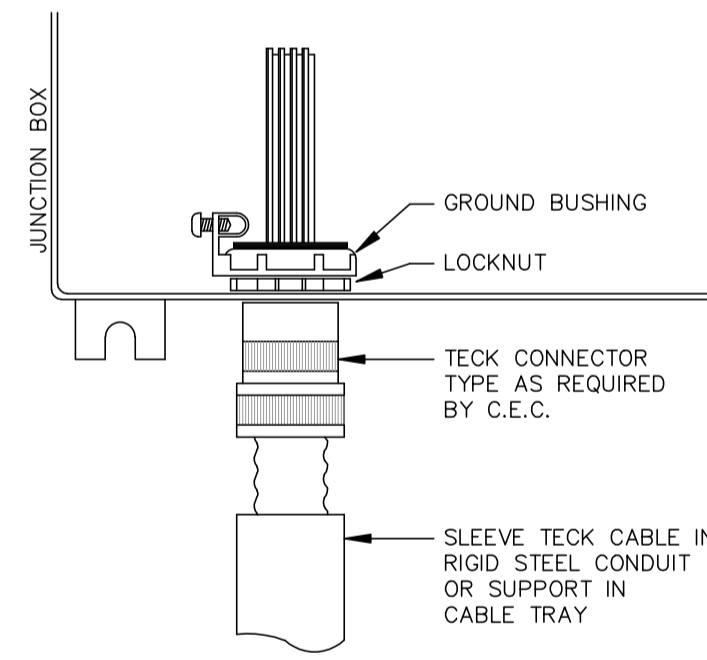
6

GAS DETECTION HEAD LOW MOUNTING INSTALLATION DETAILS



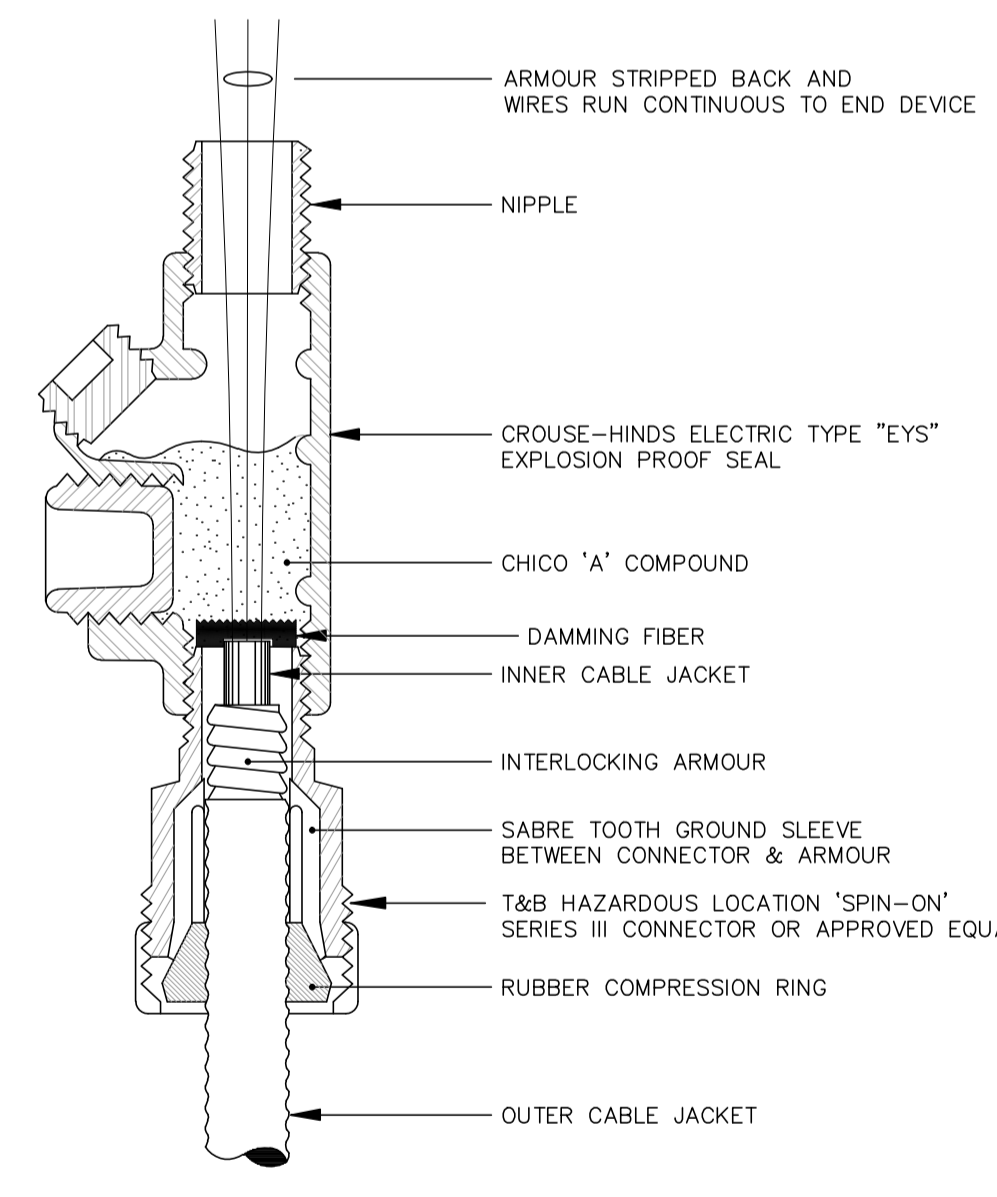
7

TYPICAL JUNCTION BOX TERMINATION DETAILS



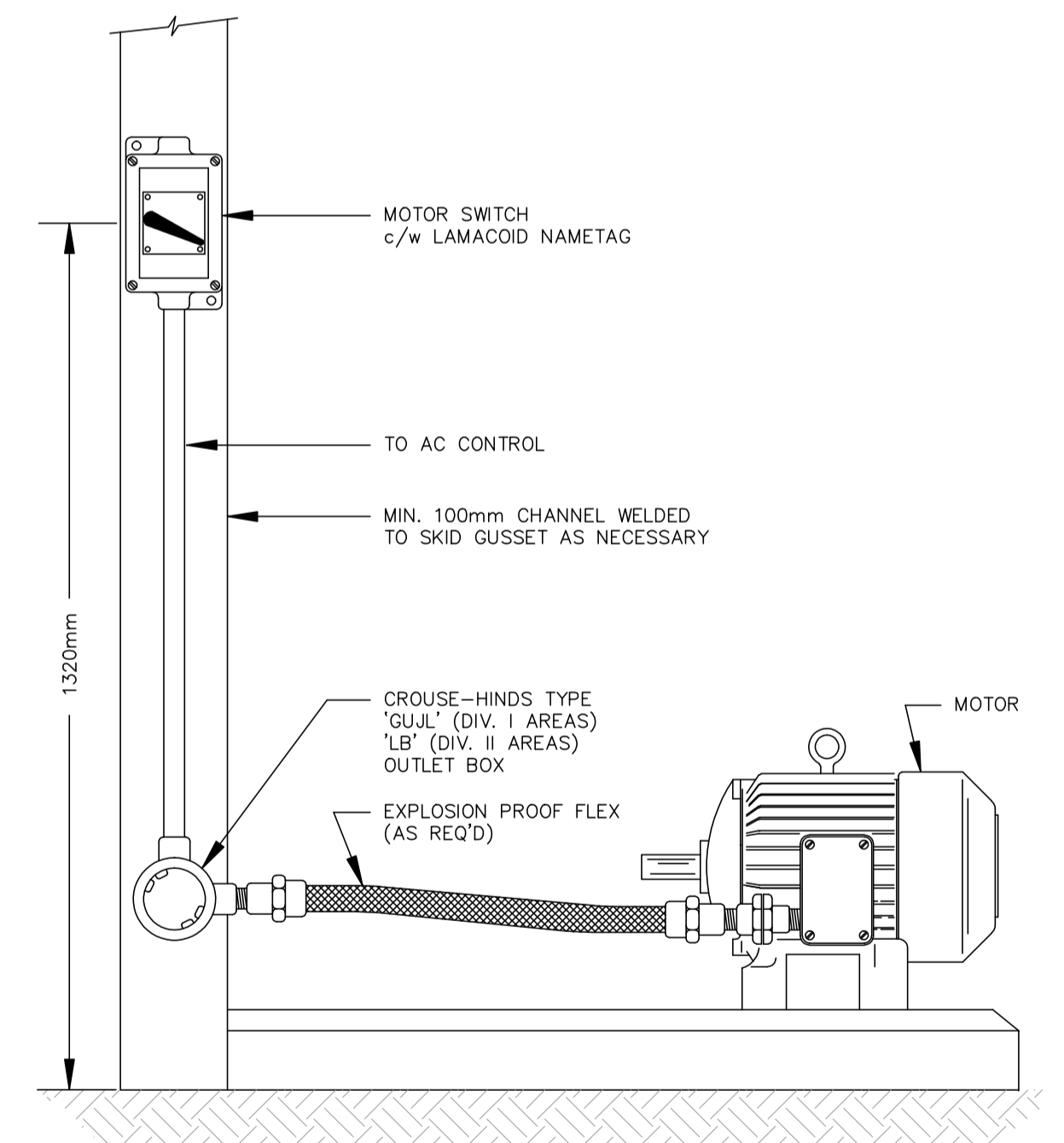
8

TYPICAL TECK CABLE CONNECTION/JUNCTION BOX DETAIL



9

TYPICAL TECK CABLE TERMINATION DETAIL



10

TYPICAL MOTOR CONNECTION DETAIL

NO.	REVISION	PROJ. No.	BY	DATE	CHK.	DATE
0	ISSUED FOR INFORMATION	43648	FC	04.10.07	BGO	04.10.13

PERMIT STAMP:

GENERAL NOTES:

- "POST CONSTRUCTION DRAWINGS" ARE GENERATED FROM CONSTRUCTION CHANGE INFORMATION FORWARDED TO BOWER DAMBERGER ROLSETH ENGINEERING LTD. BY THE OWNER'S FIELD SUPERVISORS AND/OR MINE CONTRACTORS. ANY CHANGES NOT DOCUMENTED WILL NOT APPEAR ON THE DRAWINGS AND THEREFORE THE DRAWING MAY NOT BE AN ACCURATE REPRESENTATION OF THE CONSTRUCTED FACILITY.
- PRIOR TO THE COMMENCEMENT OF ANY CONSTRUCTION AND/OR EXCAVATION IT SHALL BE THE RESPONSIBILITY OF THE OWNER'S REPRESENTATIVE TO VERIFY THE LOCATION AND STATUS OF ANY PIPING, ELECTRICAL EQUIPMENT OR BUILDINGS.
- ANY REVISIONS MADE TO EXISTING EQUIPMENT, PIPING OR ELECTRICAL ON A FACILITY NOT DESIGNED BY B.D.R. ENG. LTD. IS ONLY SHOWN AS A REPRESENTATION OF WHAT EXISTS AND MUST BE VERIFIED BY THE OWNER.

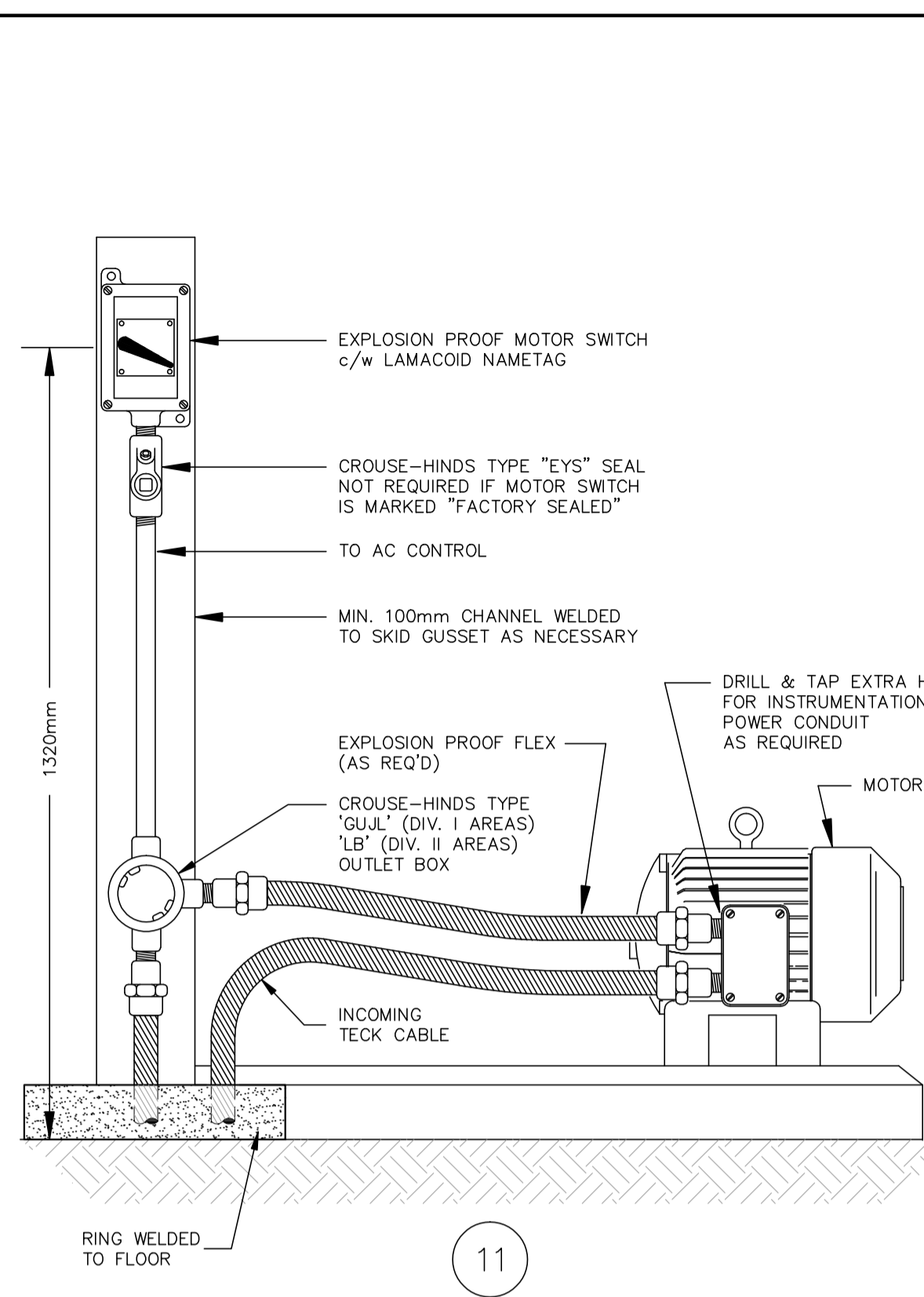
DRN.	BY	DATE
CHK.	FC	04.10.07
APP'D.		
L.S.D.	15-10-62-06 WSM	

bdr
Bower Damberger Rolseth
Engineering Ltd.

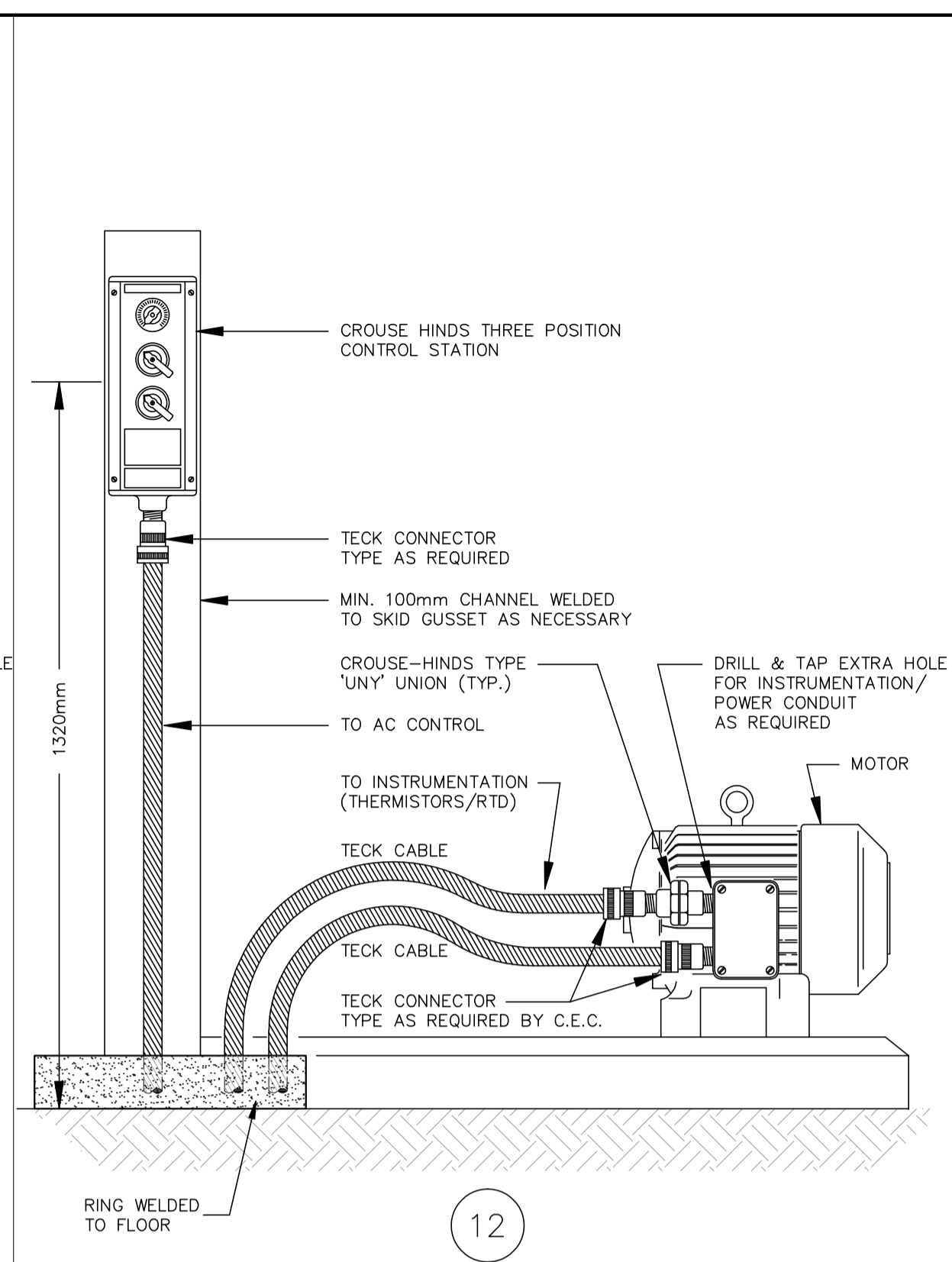
FORT ENERGY CORPORATION

CORBETT GAS PLANT
INSTALLATION DETAILS

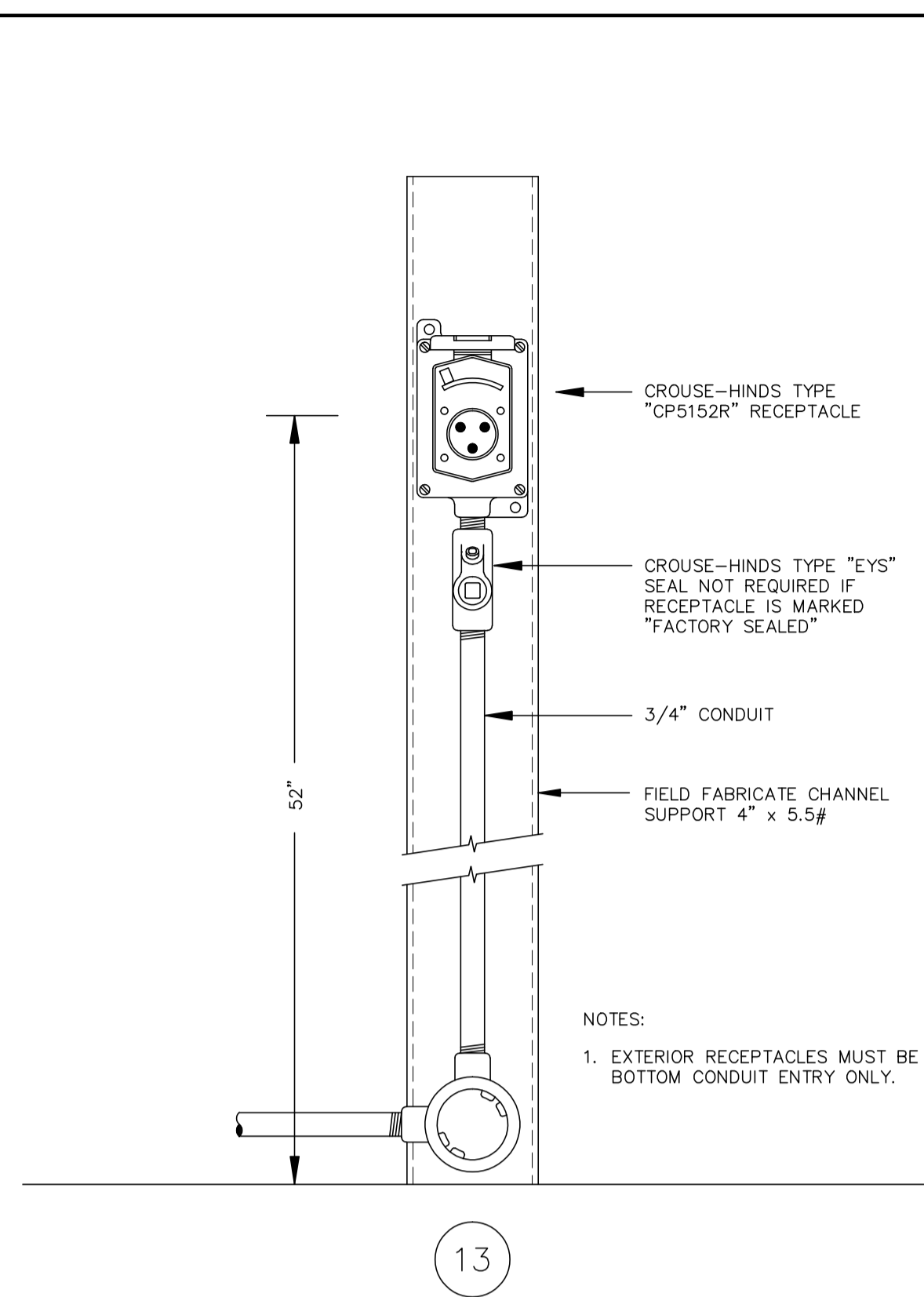
SCALE	DRAWING NUMBER	REV
N/A	D-23212-E-90-003	0



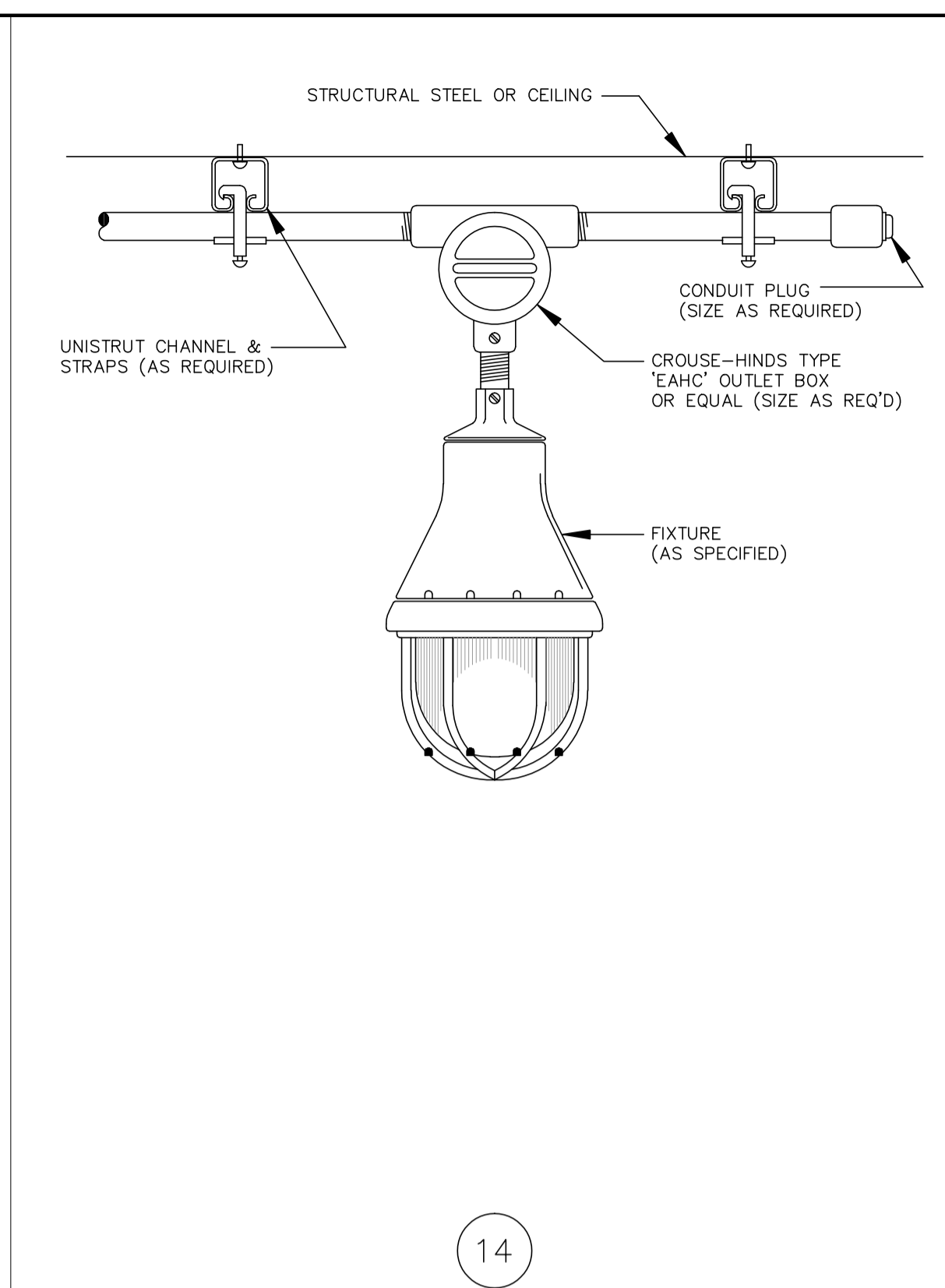
TYPICAL MOTOR CONNECTION DETAIL



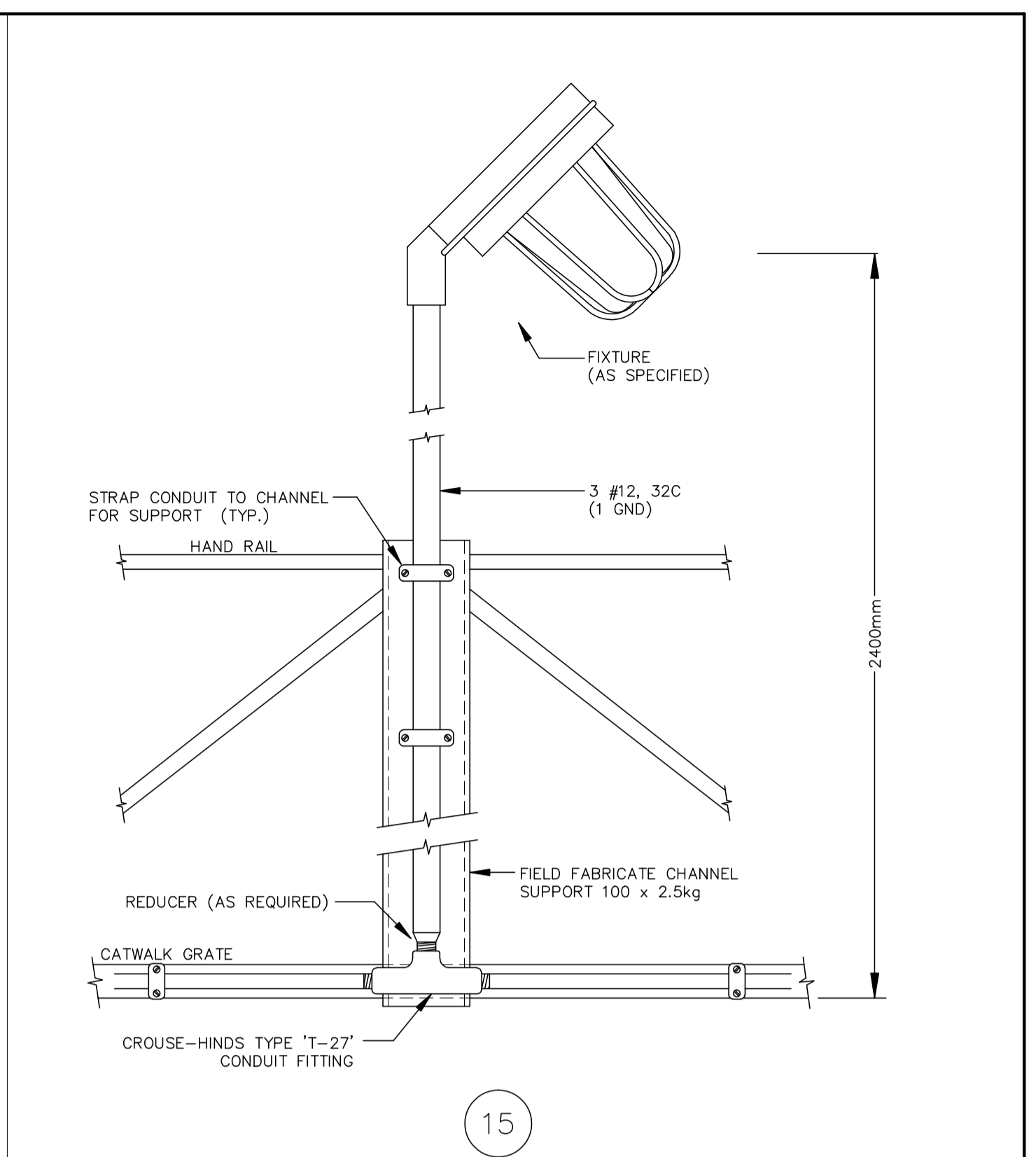
TYPICAL MOTOR CONNECTION DETAIL



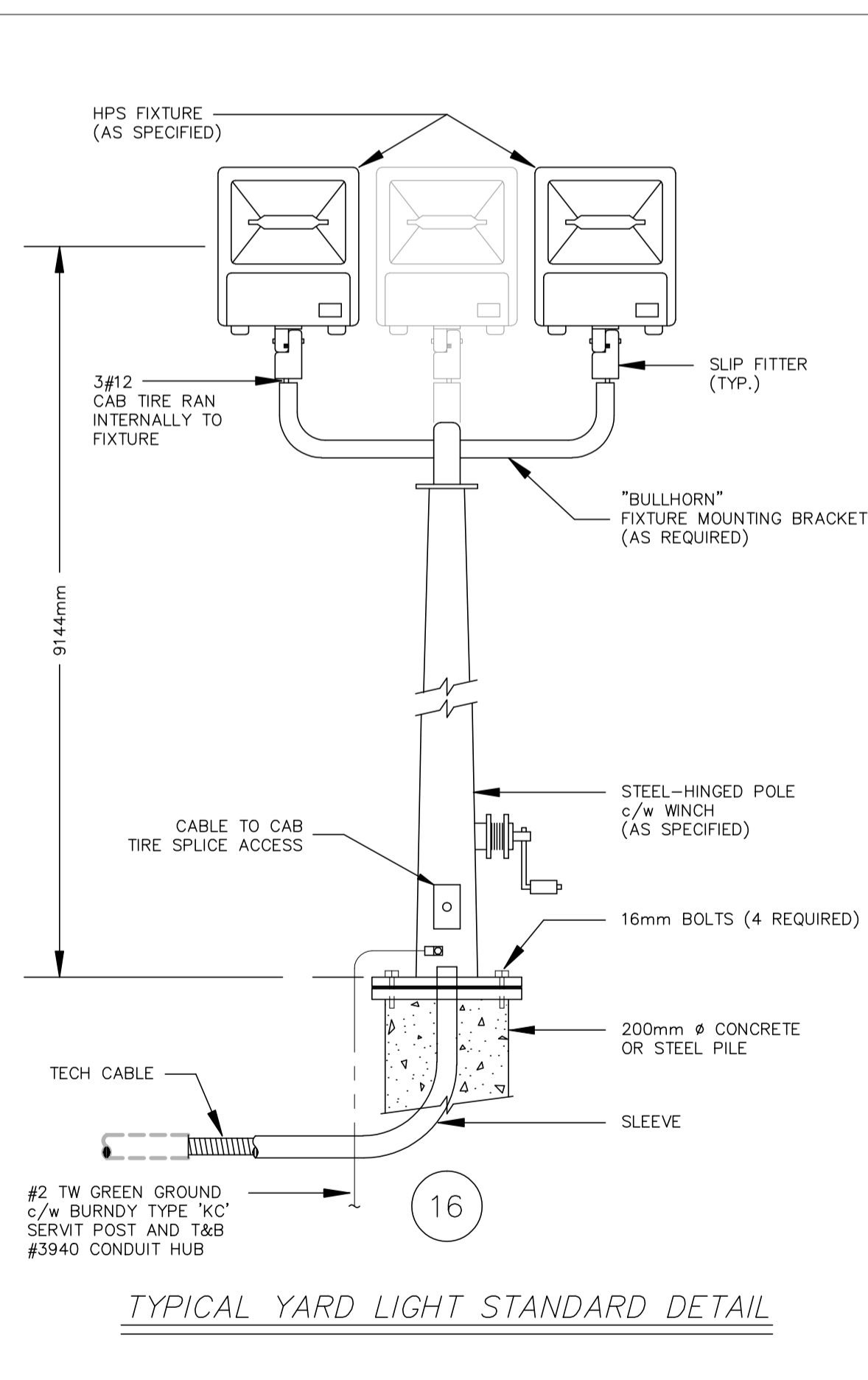
TYPICAL RECEPTACLE



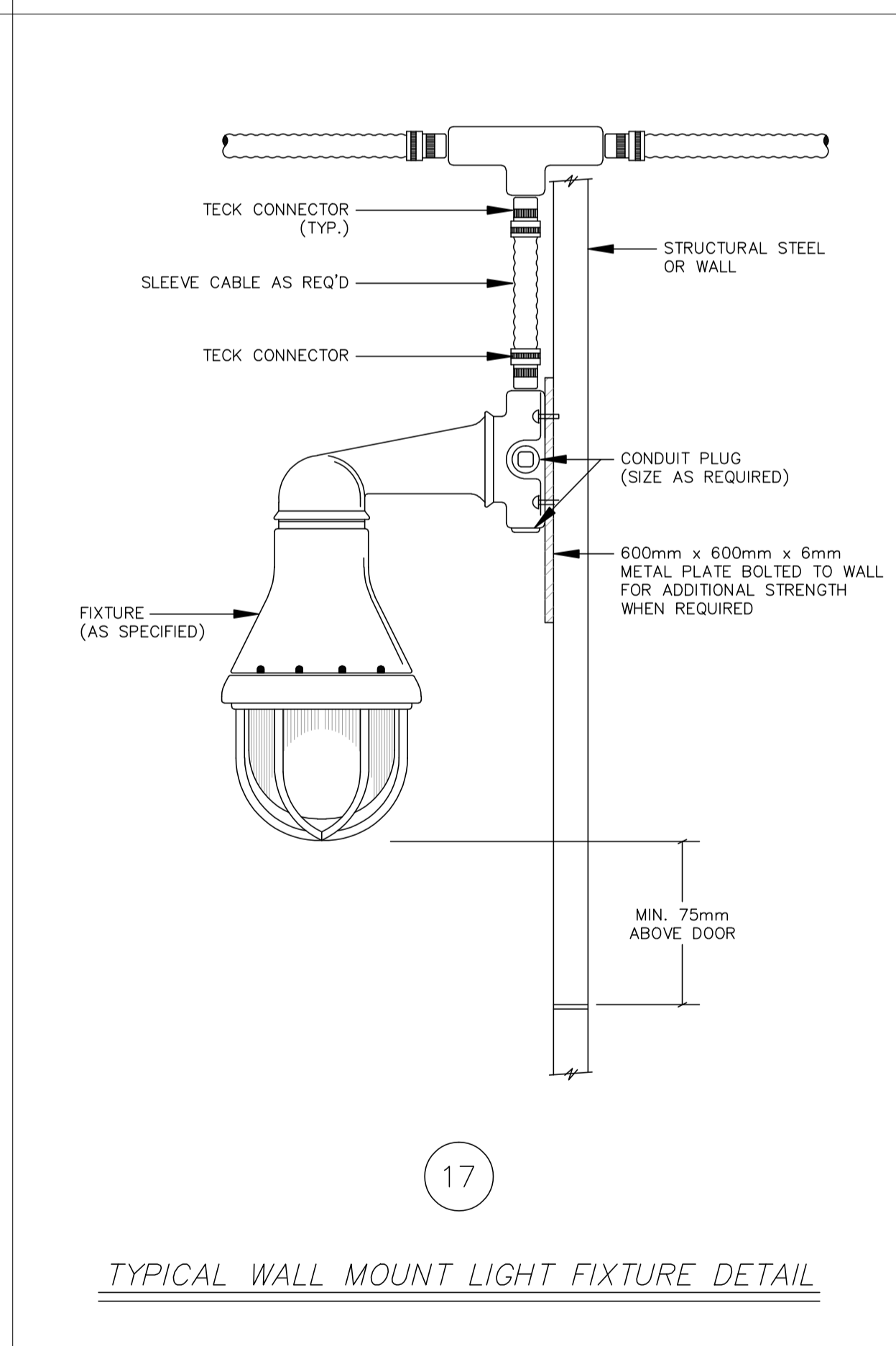
TYPICAL PENDANT FIXTURE DETAIL



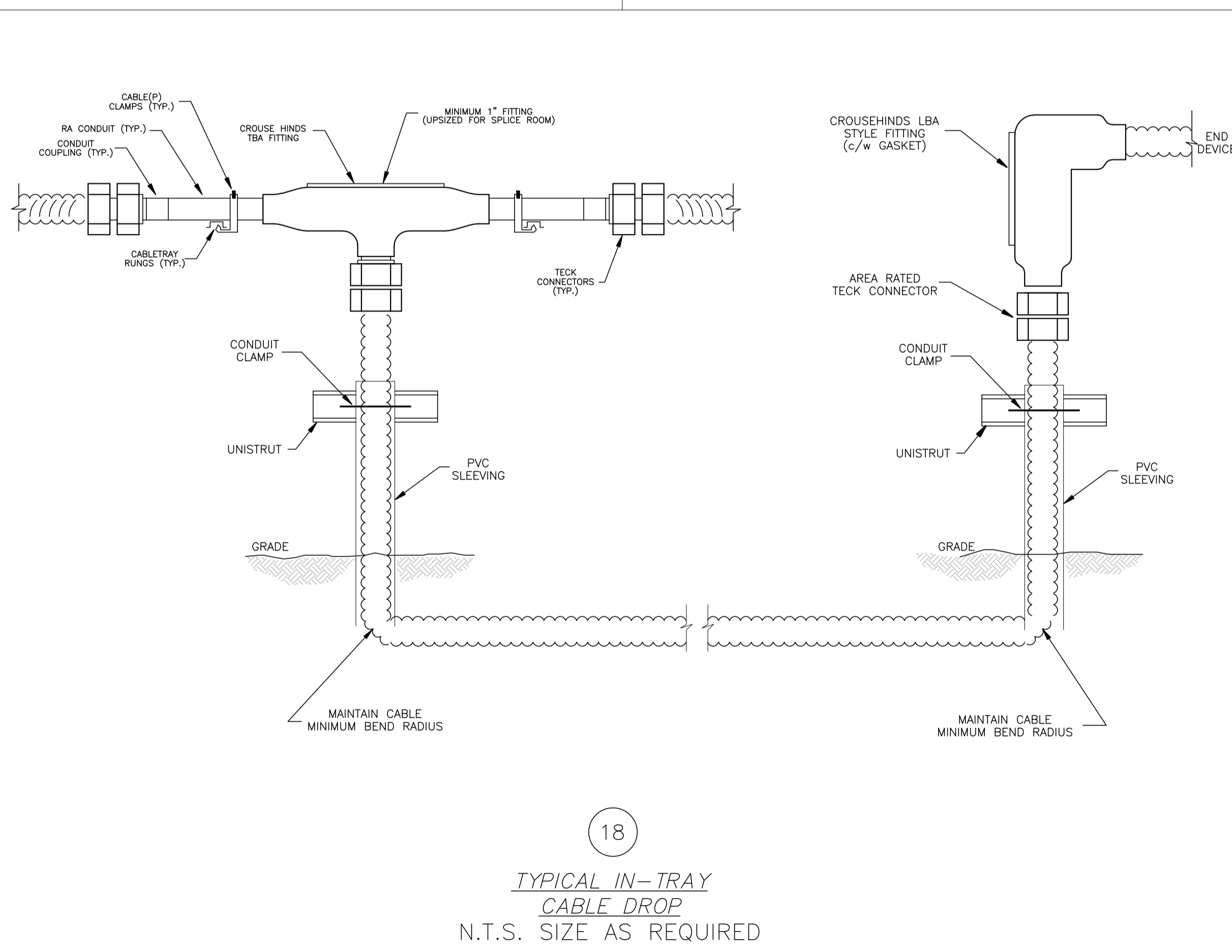
TYPICAL WALKWAY MOUNT LIGHTING DETAIL



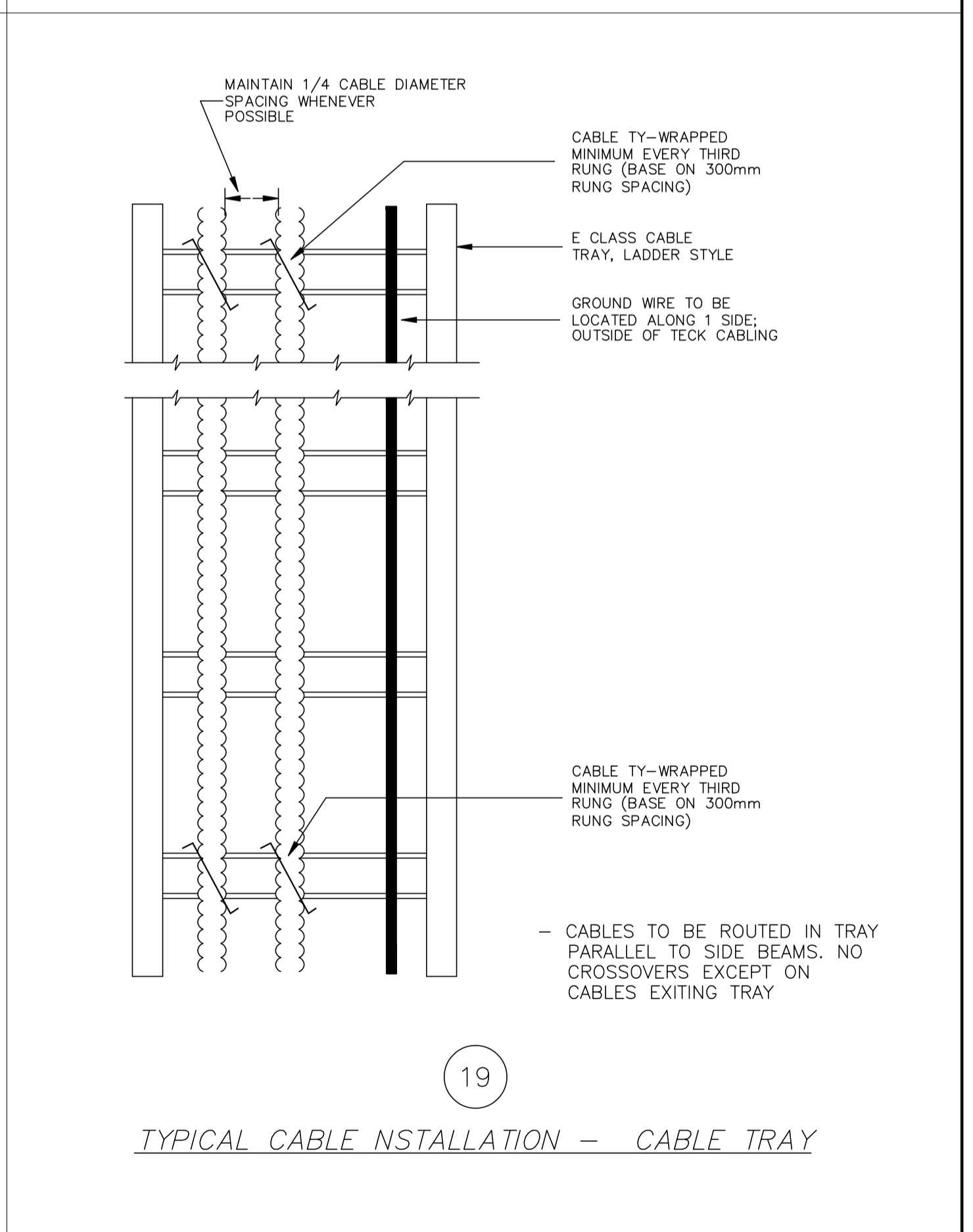
TYPICAL YARD LIGHT STANDARD DETAIL



TYPICAL WALL MOUNT LIGHT FIXTURE DETAIL



TYPICAL IN-TRAY CABLE DROP
N.T.S. SIZE AS REQUIRED



TYPICAL CABLE INSTALLATION - CABLE TRAY

NO.	REVISION	PROJ. No.	BY	DATE	CHK.	DATE
0	ISSUED FOR INFORMATION	43648	FC	04.10.07	BGO	04.10.13

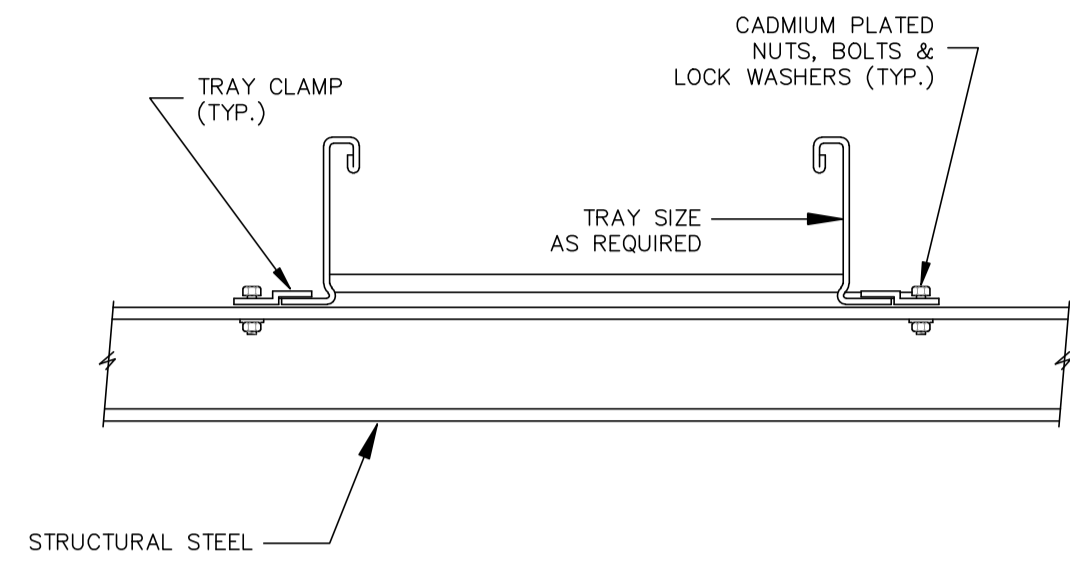
PERMIT STAMP:

GENERAL NOTES:
 1. "POST CONSTRUCTION DRAWINGS" ARE GENERATED FROM CONSTRUCTION CHANGE INFORMATION FORWARDED TO BOWER DAMBERGER ROLSETH ENGINEERING LTD. BY THE OWNER'S FIELD SUPERVISORS AND/OR BIDDING CONTRACTORS. ANY CHANGES NOT DOCUMENTED WILL NOT APPEAR ON THE DRAWINGS AND THEREFORE THE DRAWING MAY NOT BE AN ACCURATE REPRESENTATION OF THE CONSTRUCTED FACILITY.
 2. PRIOR TO THE COMMENCEMENT OF ANY CONSTRUCTION AND/OR EXCAVATION IT SHALL BE THE RESPONSIBILITY OF THE OWNER'S REPRESENTATIVE TO VERIFY THE LOCATION AND STATUS OF ANY PIPING, ELECTRICAL, EQUIPMENT OR BUILDINGS.
 3. ANY REVISIONS MADE TO EXISTING EQUIPMENT, PIPING OR ELECTRICAL ON A FACILITY NOT DESIGNED BY B.D.R. ENG. LTD. IS ONLY SHOWN AS A REPRESENTATION OF WHAT EXISTS AND MUST BE VERIFIED BY THE OWNER.

DRN.	BY	DATE
CHK.	FC	04.10.07
APP'D.		
L.S.D.	15-10-62-06 WSM	

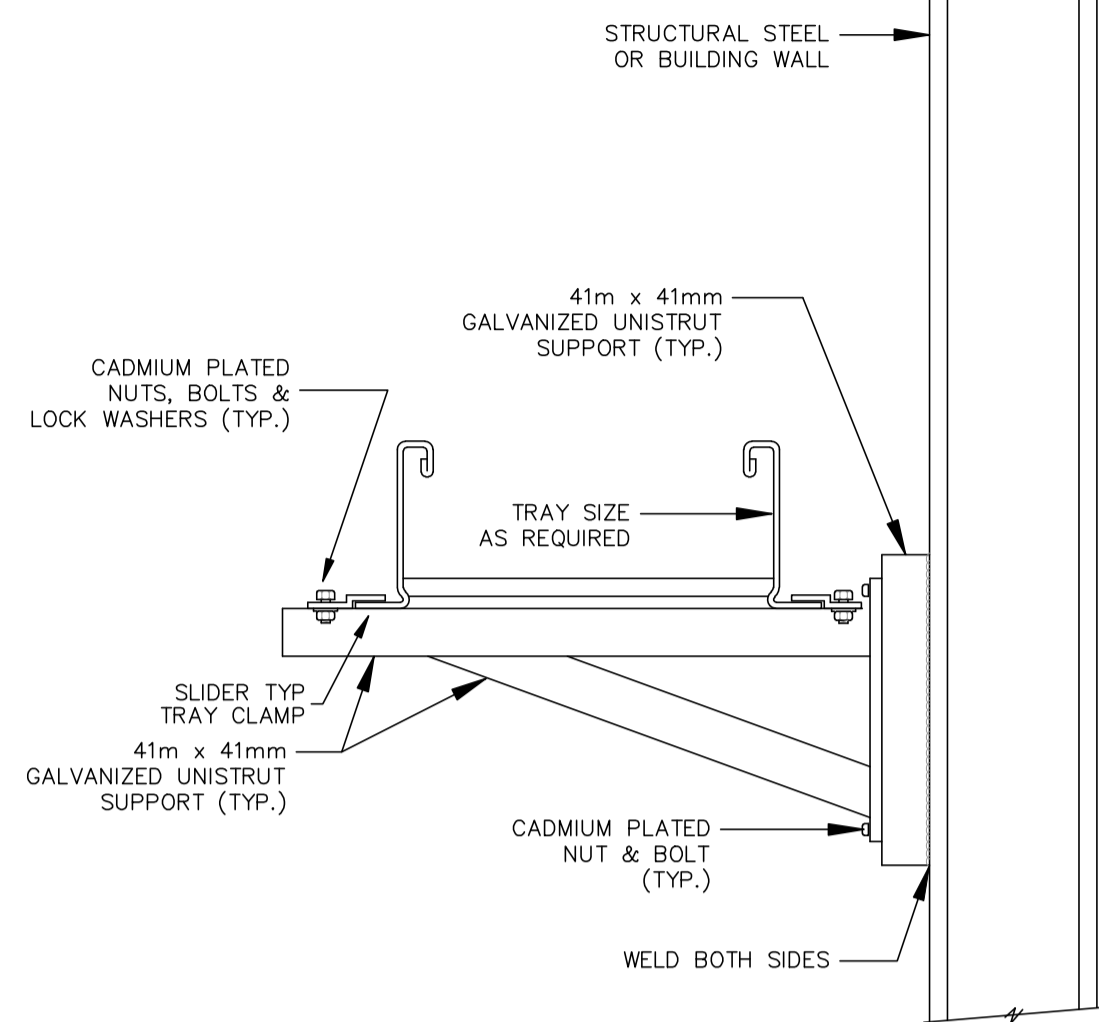


FORT ENERGY CORPORATION		
CORBETT GAS PLANT INSTALLATION DETAILS		
SCALE	DRAWING NUMBER	REV
N/A	D-23212-E-90-004	0



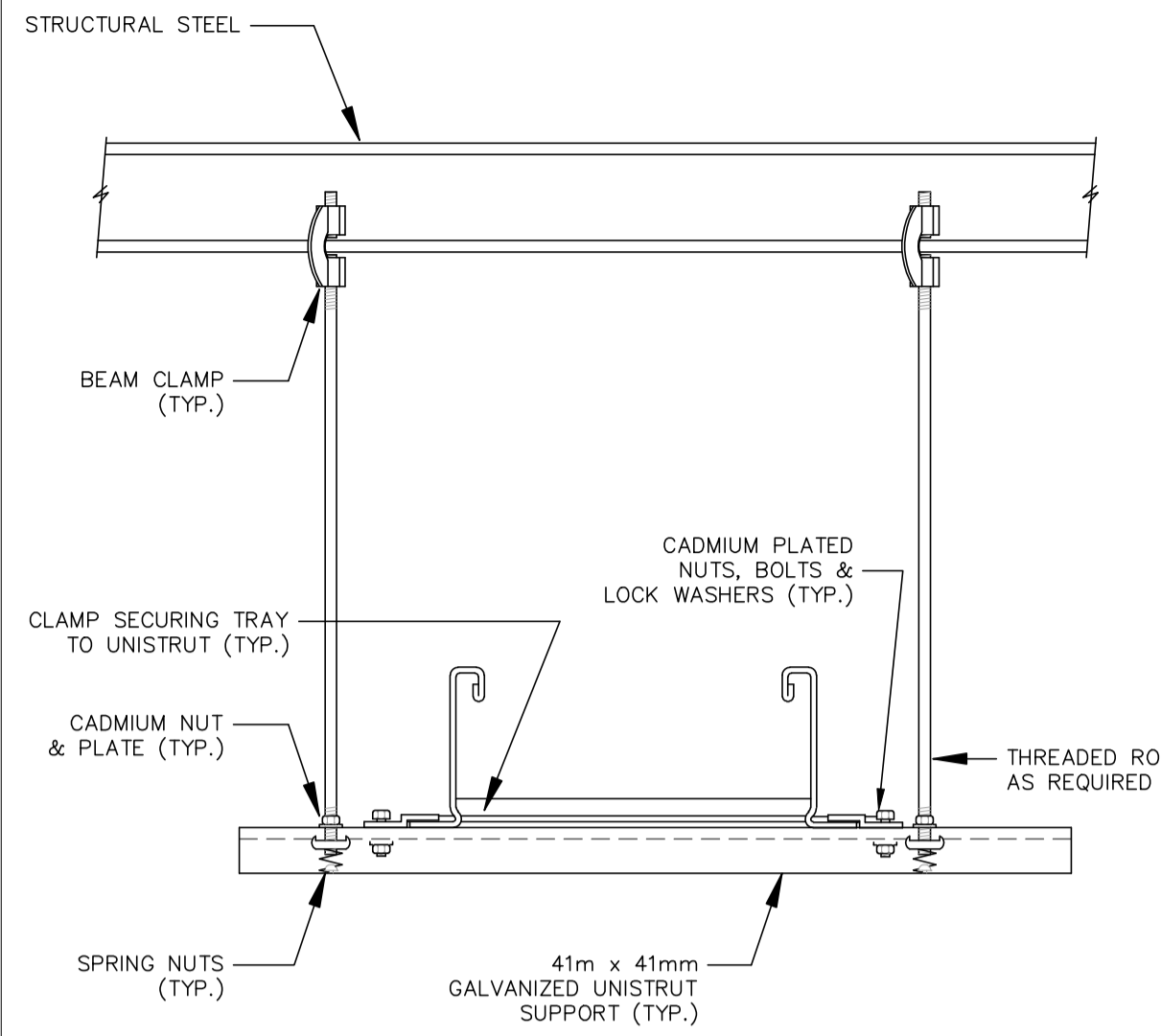
21

TYPICAL CABLE TRAY FASTENING



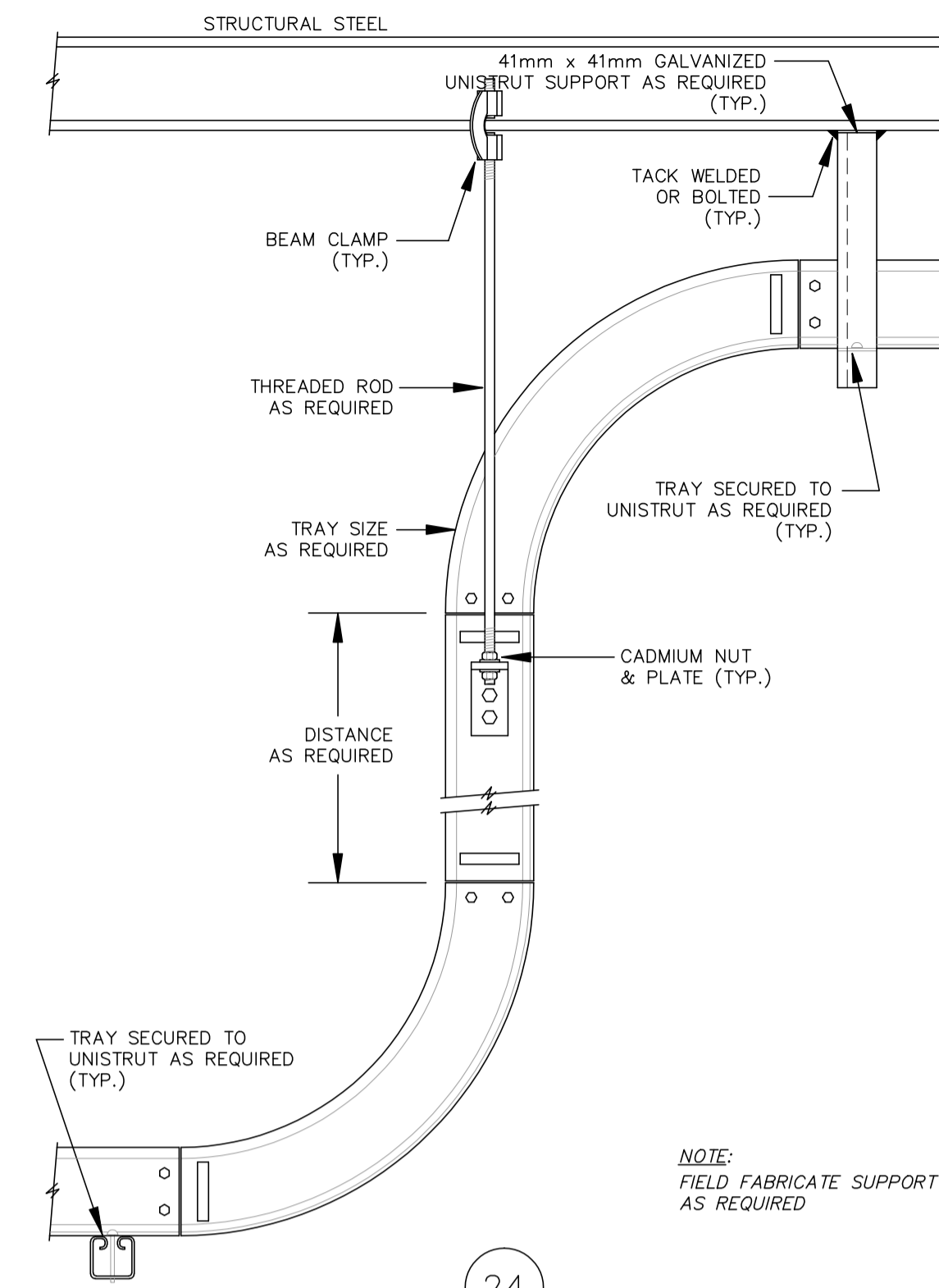
22

TYPICAL CABLE TRAY SUPPORT CANTILEVER



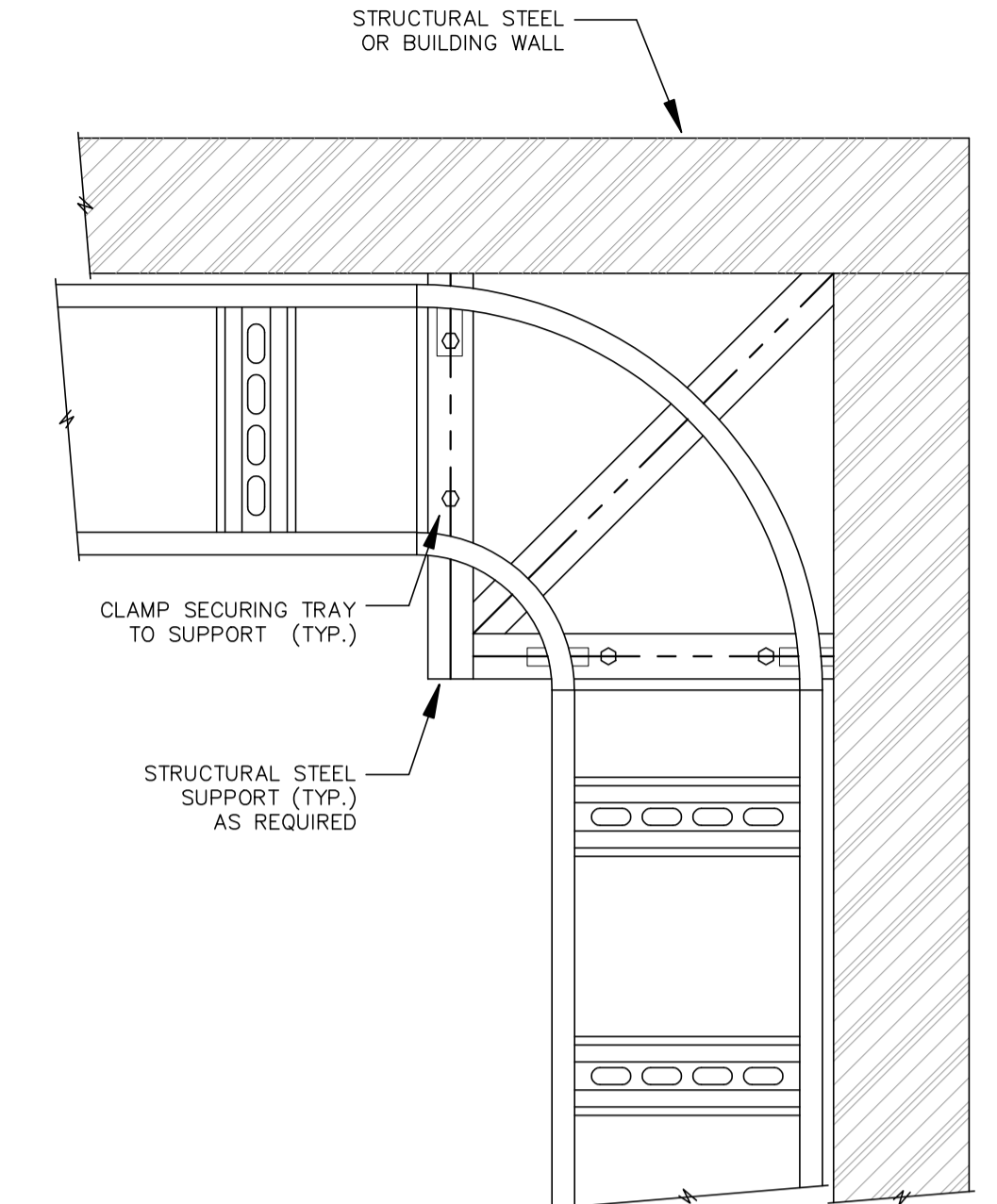
23

TYPICAL CABLE TRAY SUPPORT SINGLE TRAPEZE



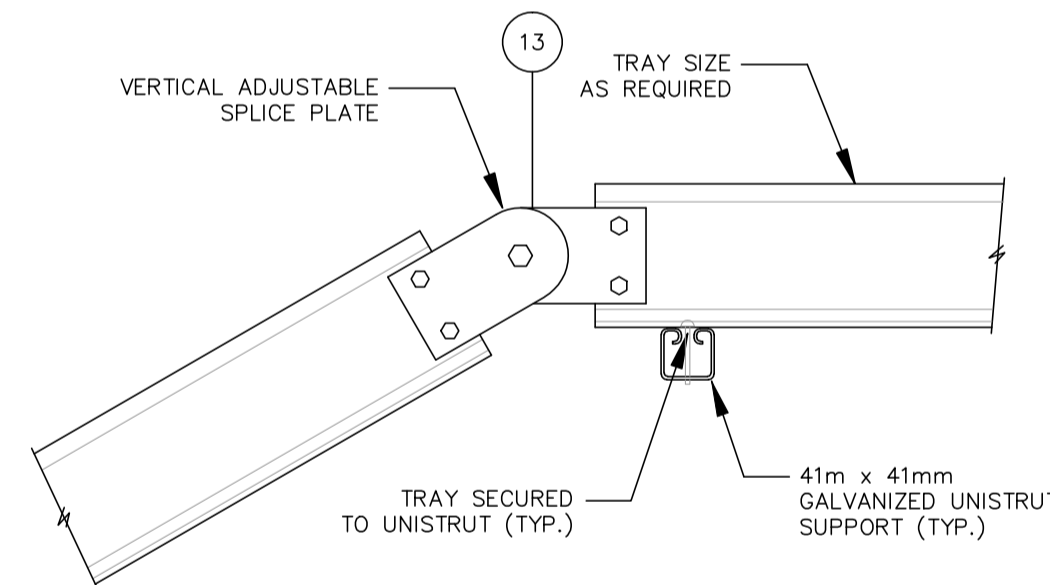
24

TYPICAL CABLE TRAY SUPPORT VERTICAL ELBOW



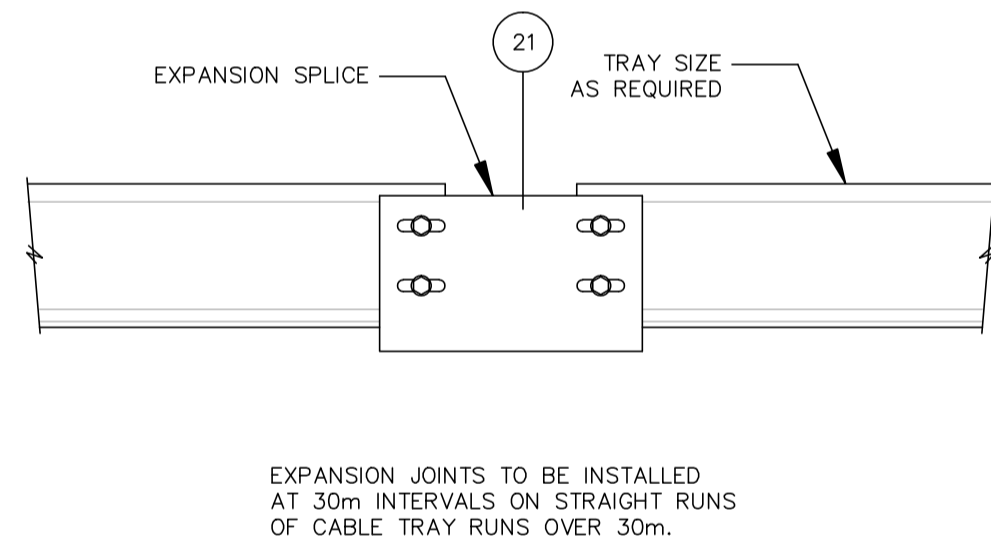
25

TYPICAL CABLE TRAY SUPPORT HORIZONTAL ELBOW



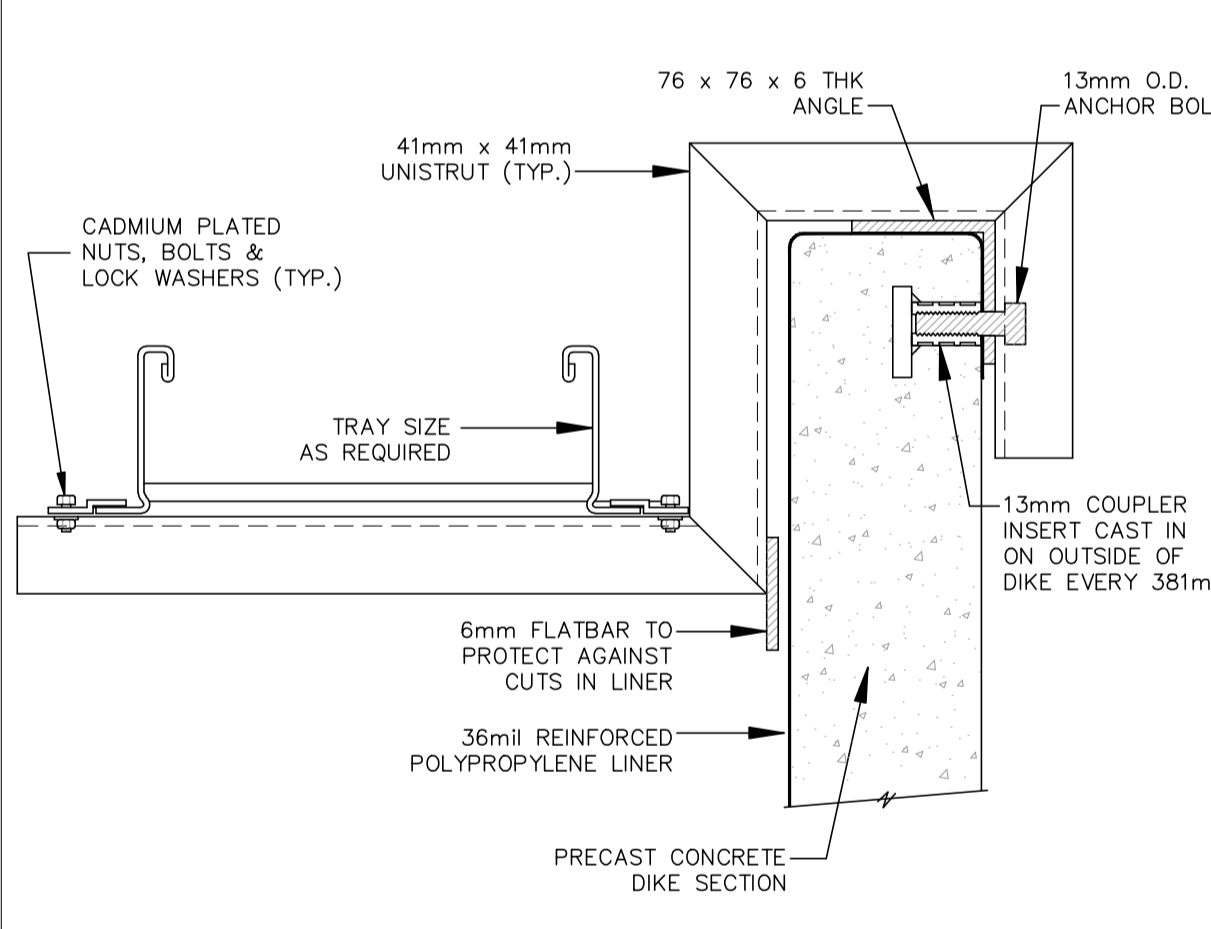
26

TYPICAL CABLE TRAY ADJUSTABLE VERTICAL ELBOW



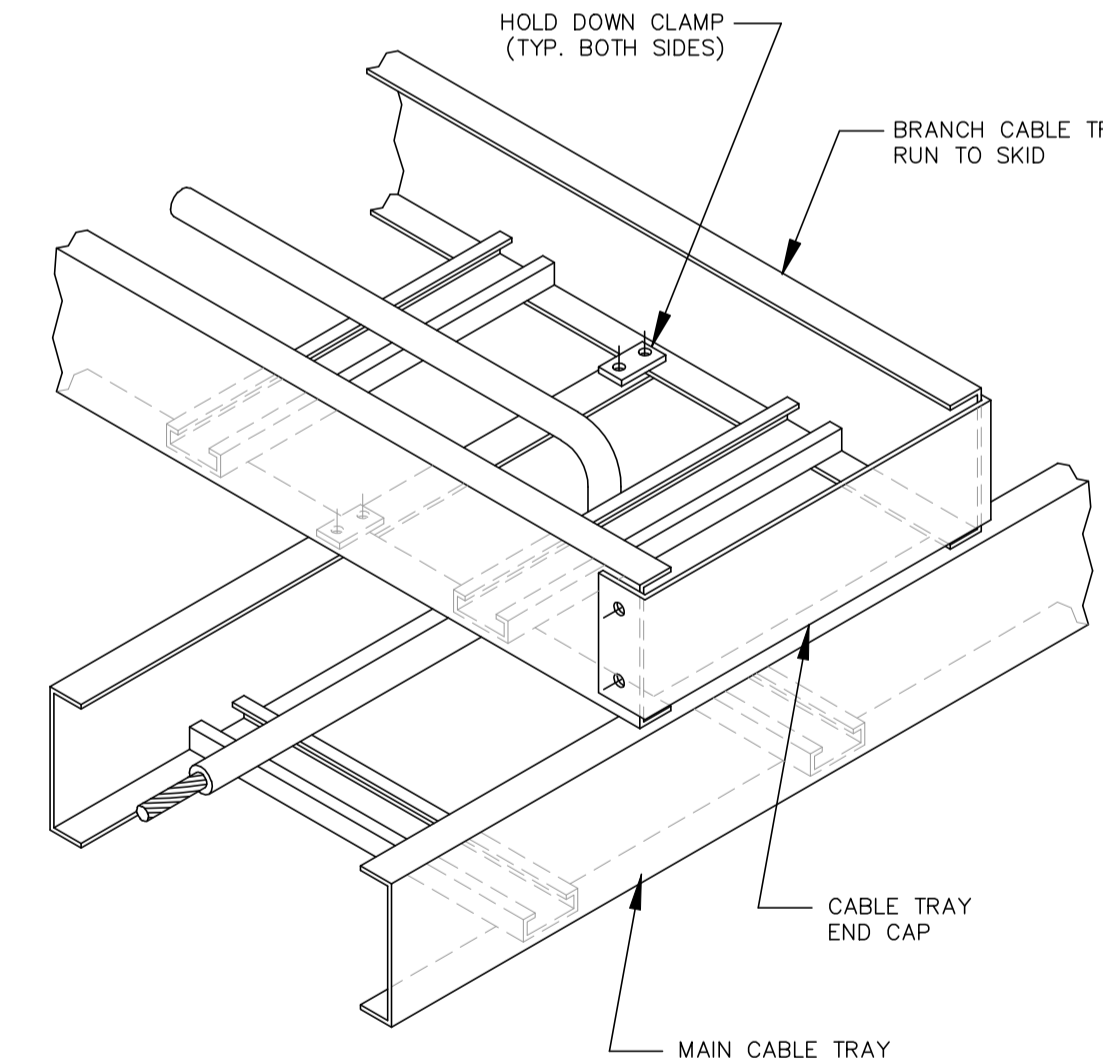
27

TYPICAL CABLE TRAY EXPANSION JOINT



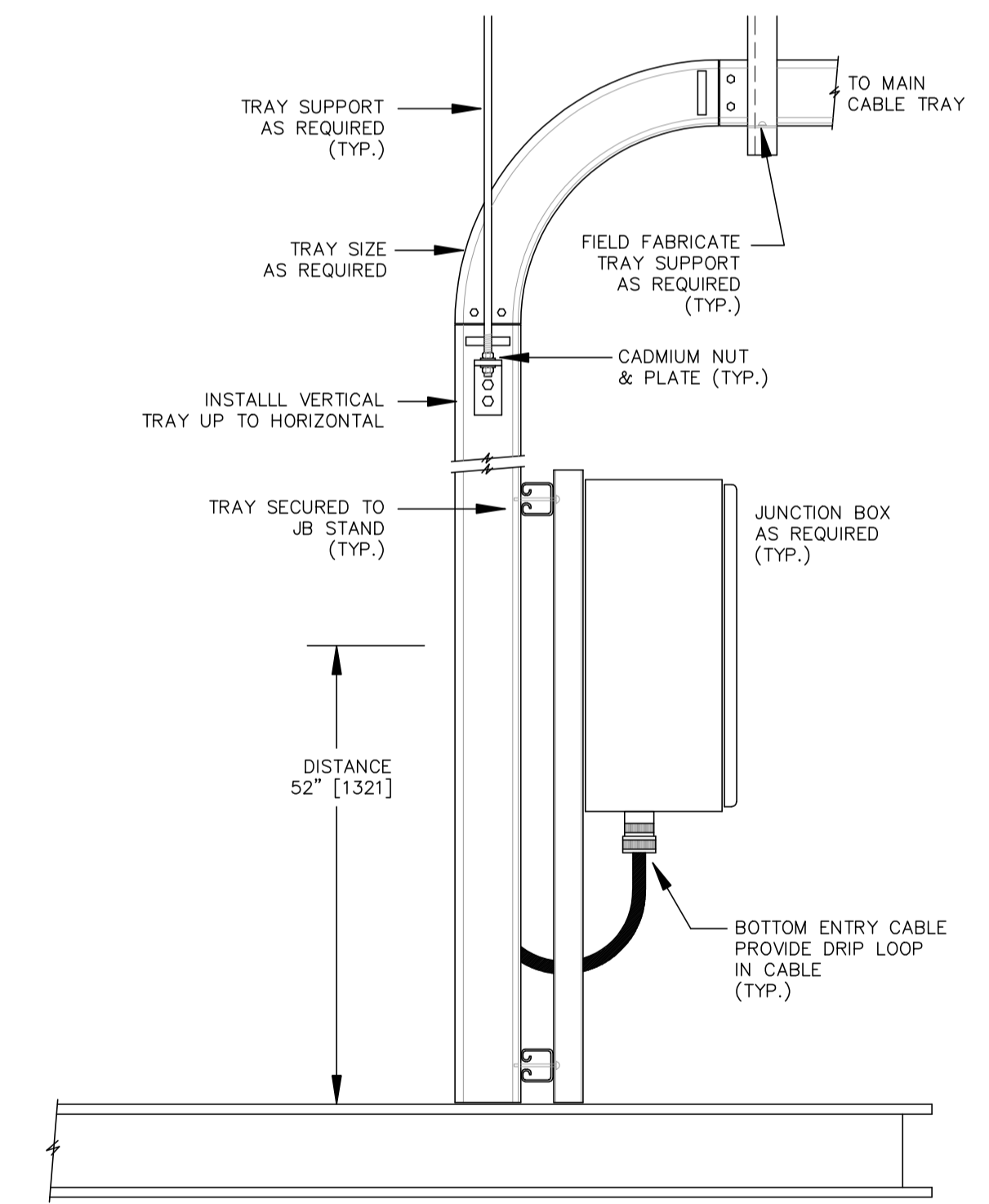
28

TYPICAL CABLE TRAY SUPPORT STORAGE TANK DIKE WALL



29

TYPICAL CABLE TRAY BRANCH DETAIL



30

TYPICAL CABLE TRAY JB ENTRY DETAIL

NO.	REVISION	PROJ. No.	BY	DATE	CHK.	DATE
0	ISSUED FOR INFORMATION	43648	FC	04.10.07	BGO	04.10.13

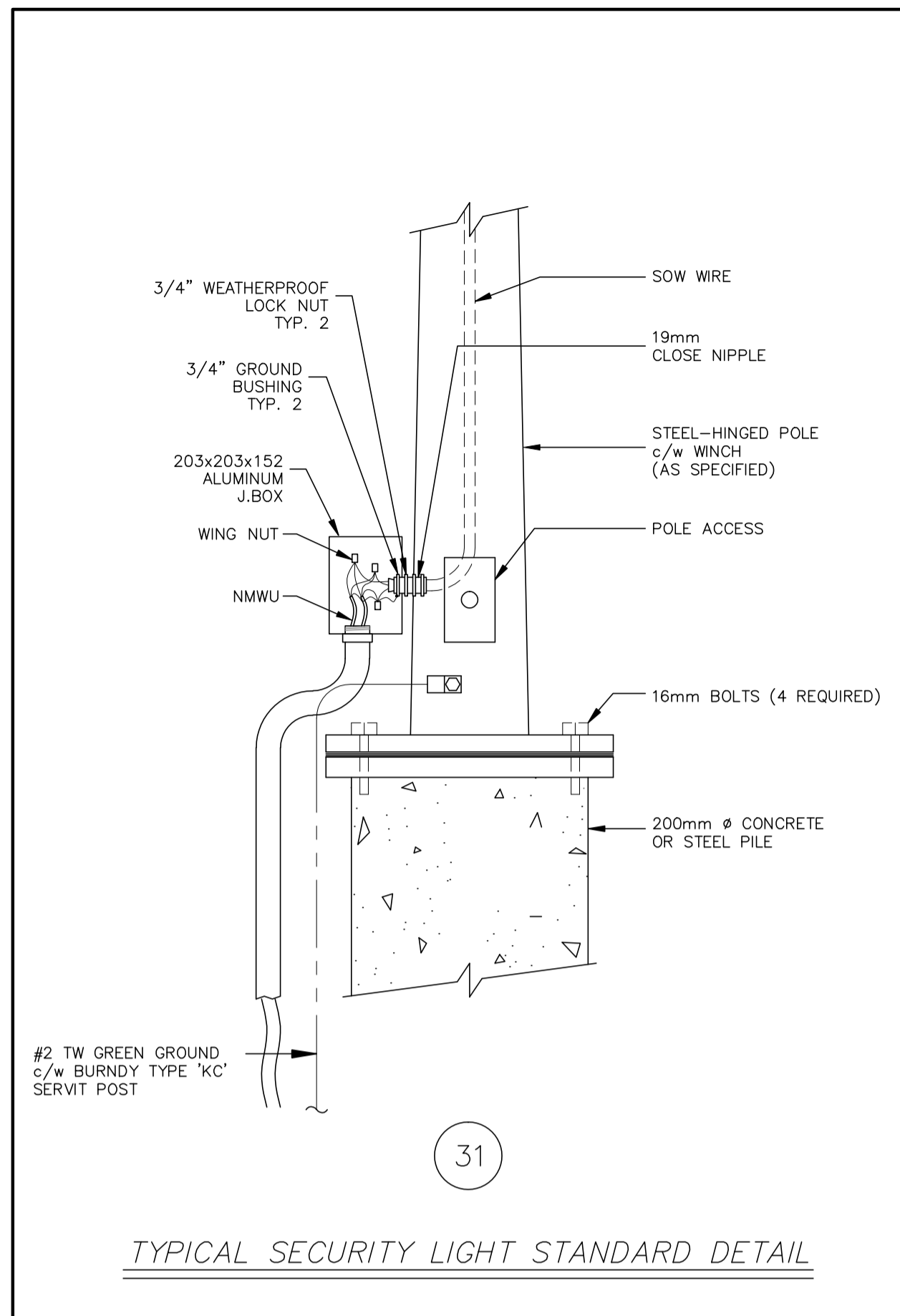
PERMIT STAMP:	

GENERAL NOTES:	
1.	"POST CONSTRUCTION DRAWINGS" ARE GENERATED FROM CONSTRUCTION CHANGE INFORMATION FORWARDED TO BOWER DAMBERGER ROLSETH ENGINEERING LTD. BY THE OWNER'S FIELD SUPERVISORS AND/OR FIELD CONTRACTORS. ANY CHANGES NOT DOCUMENTED WILL NOT APPEAR ON THE DRAWINGS AND THEREFORE THE DRAWING MAY NOT BE AN ACCURATE REPRESENTATION OF THE CONSTRUCTED FACILITY.
2.	PRIOR TO THE COMMENCEMENT OF ANY CONSTRUCTION AND/OR EXCAVATION IT SHALL BE THE RESPONSIBILITY OF THE OWNER'S REPRESENTATIVE TO VERIFY THE LOCATION AND STATUS OF ANY PIPING, ELECTRICAL, EQUIPMENT OR BUILDINGS.
3.	ANY REVISIONS MADE TO EXISTING EQUIPMENT, PIPING OR ELECTRICAL ON A FACILITY NOT DESIGNED BY B.D.R. ENG. LTD. IS ONLY SHOWN AS A REPRESENTATION OF WHAT EXISTS AND MUST BE VERIFIED BY THE OWNER.

DRN.	BY	DATE
CHK.	FC	04.10.07
APP'D.		
L.S.D.	15-10-62-06 WSM	

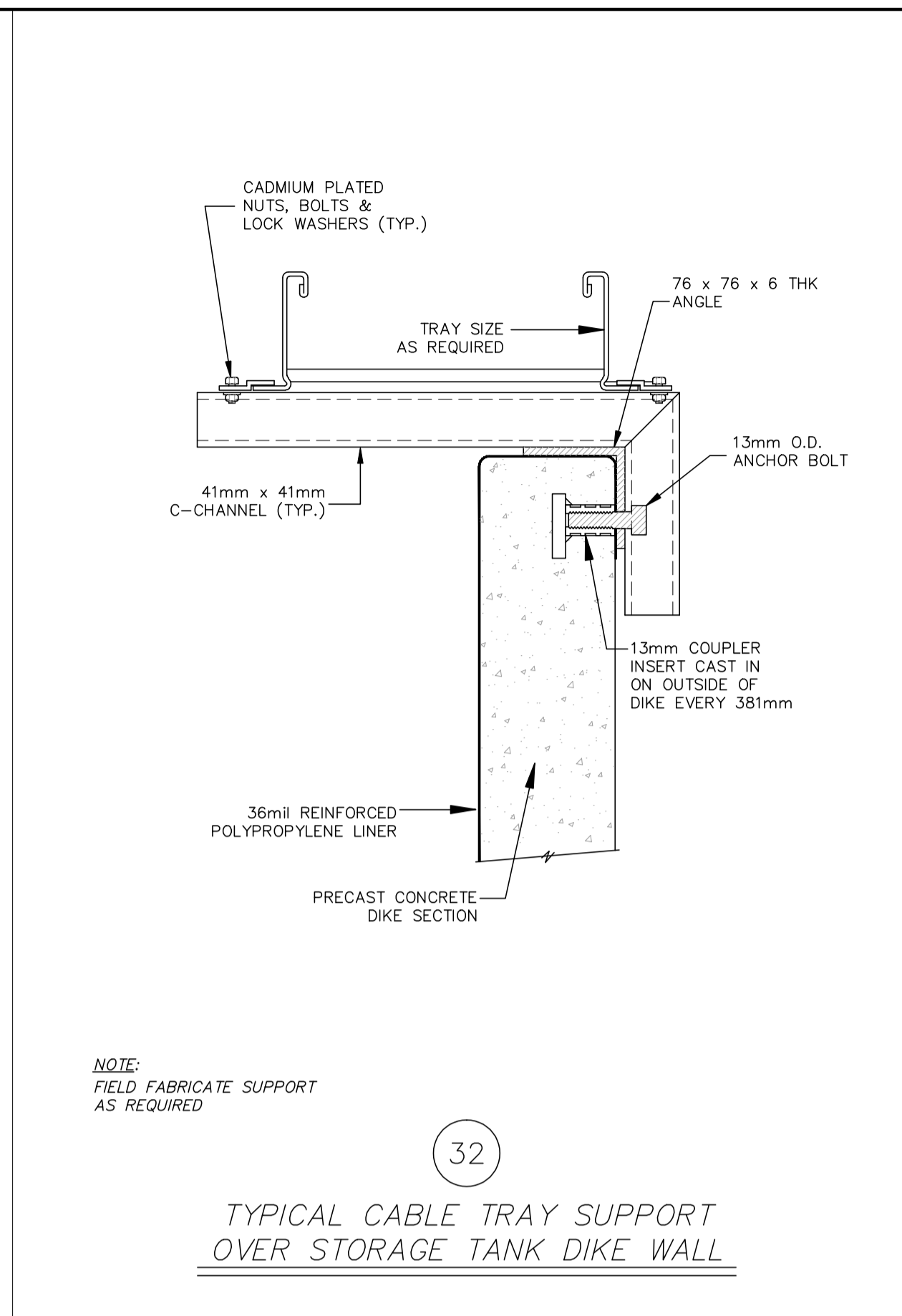
Bower Damberger Rolseth Engineering Ltd.

FORT ENERGY CORPORATION		
CORBETT GAS PLANT INSTALLATION DETAILS		
SCALE	DRAWING NUMBER	REV
N/A	D-23212-E-90-005	0



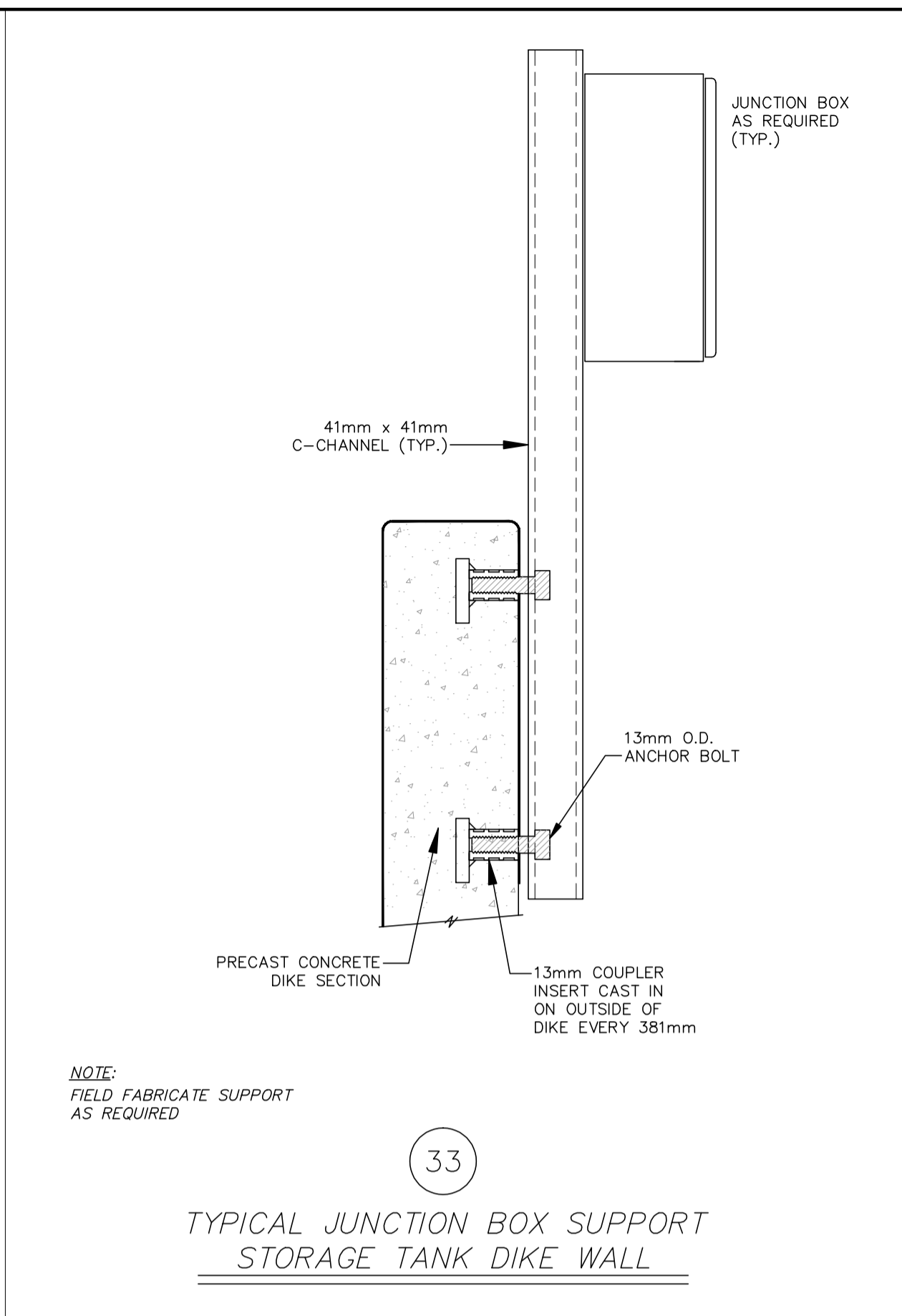
31

TYPICAL SECURITY LIGHT STANDARD DETAIL



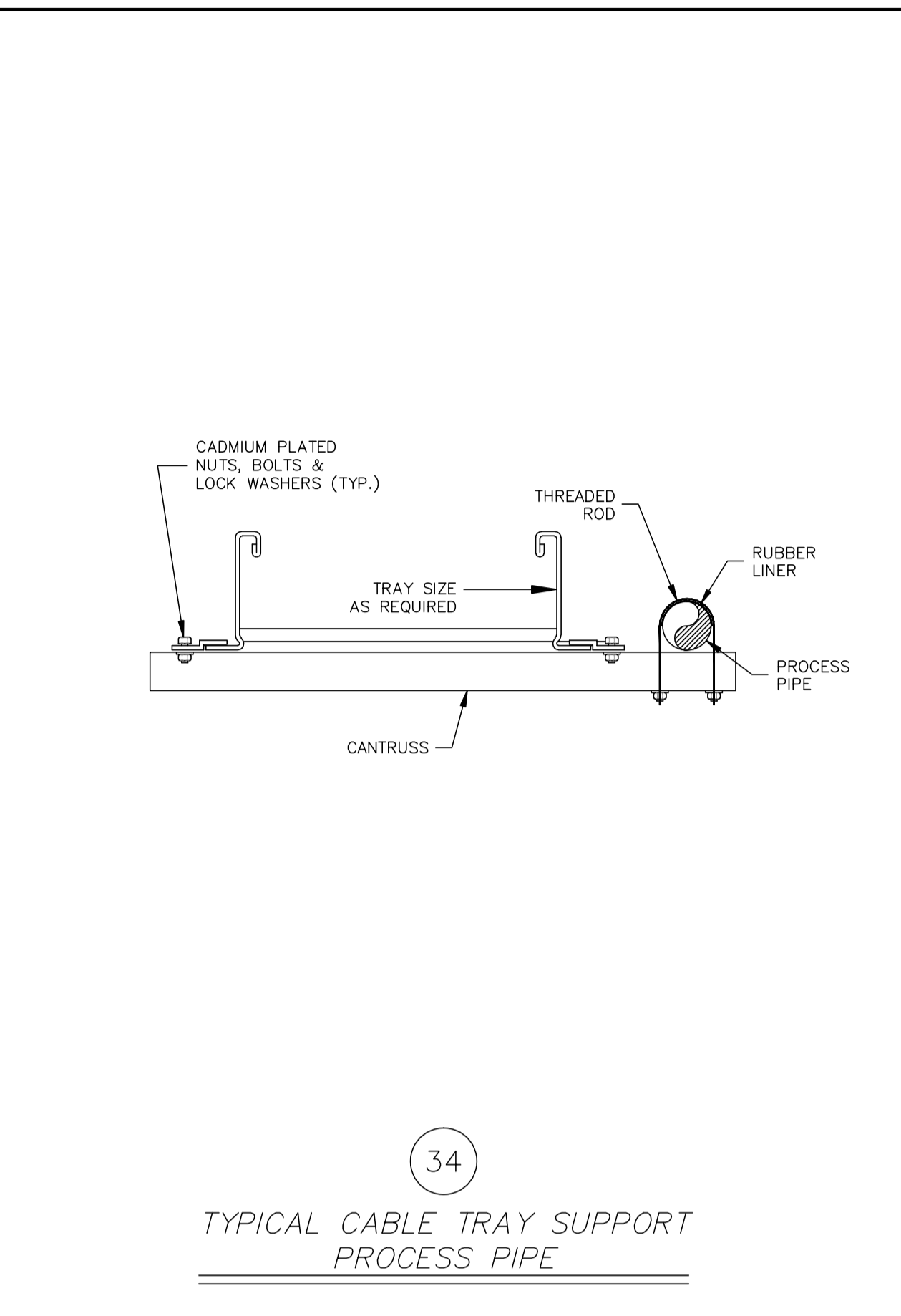
32

TYPICAL CABLE TRAY SUPPORT OVER STORAGE TANK DIKE WALL



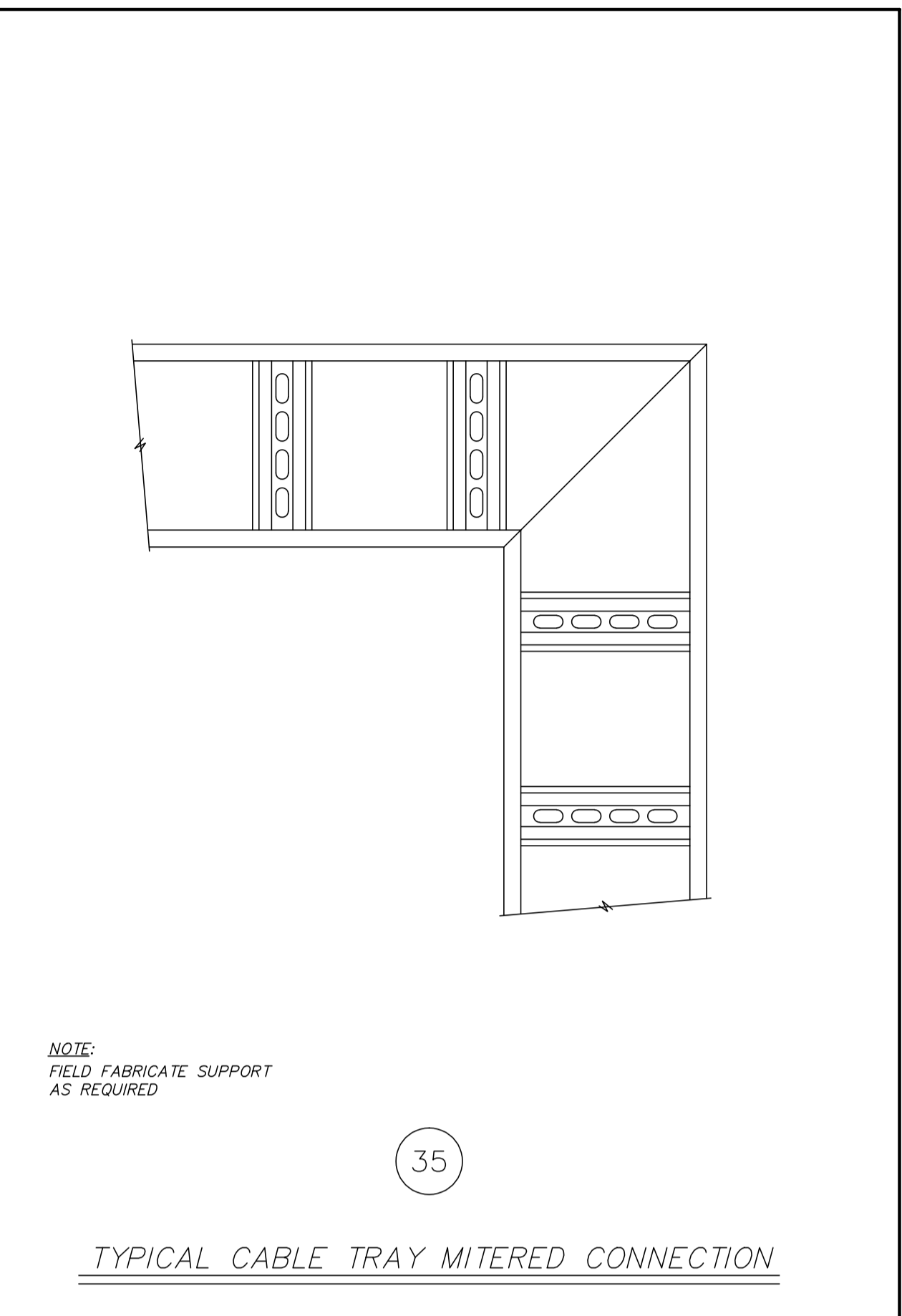
33

TYPICAL JUNCTION BOX SUPPORT STORAGE TANK DIKE WALL



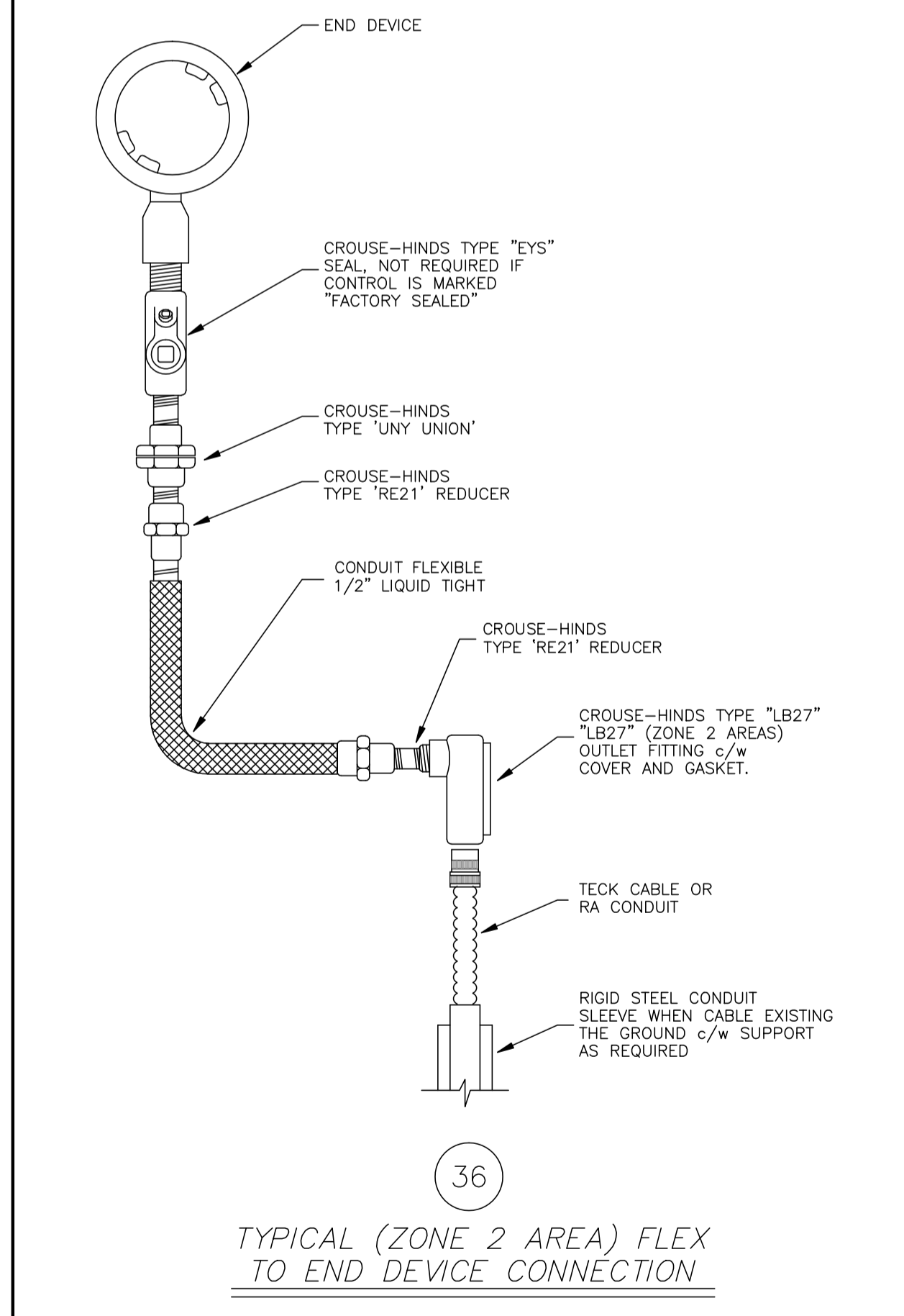
34

TYPICAL CABLE TRAY SUPPORT PROCESS PIPE



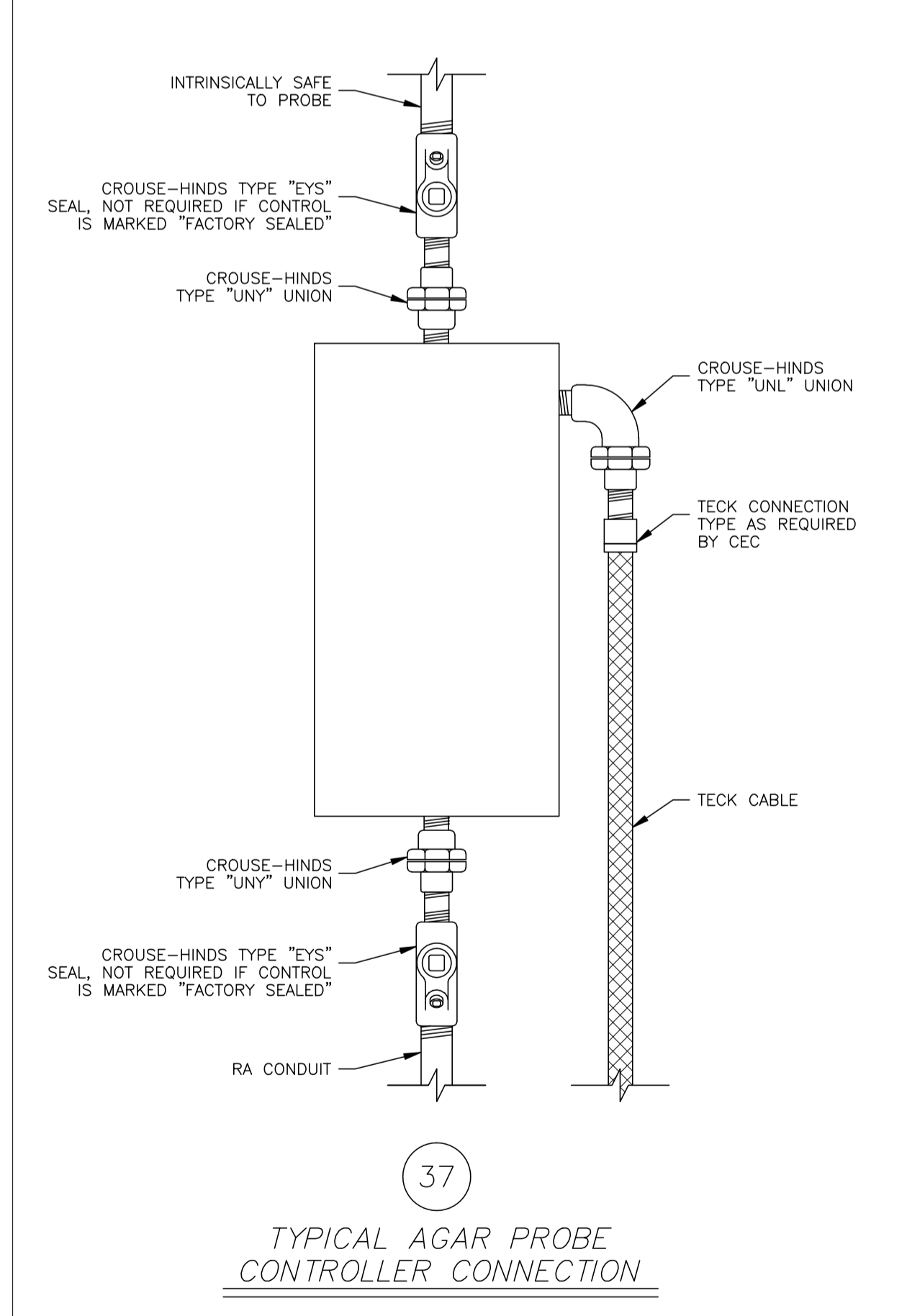
35

TYPICAL CABLE TRAY MITERED CONNECTION



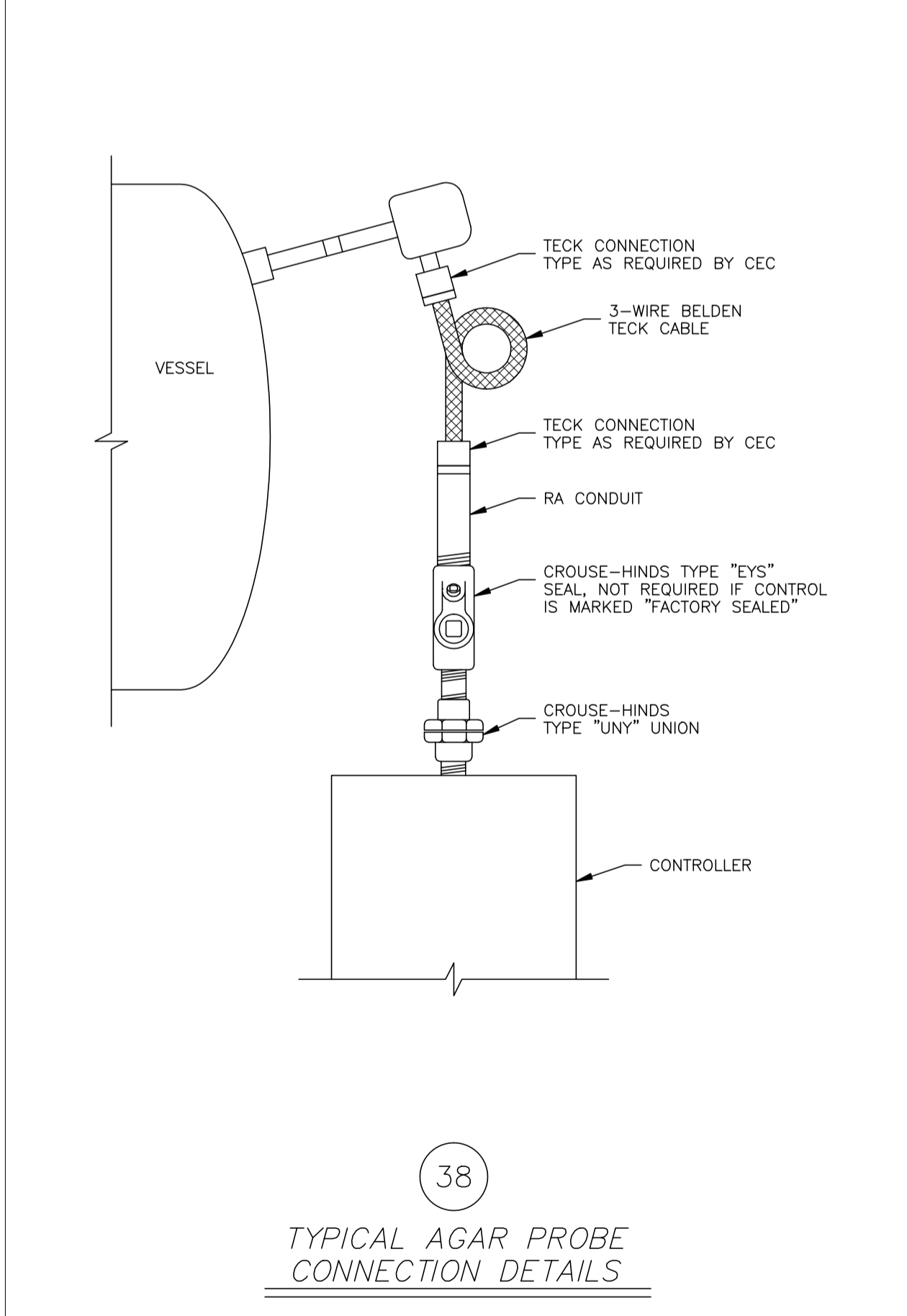
36

TYPICAL (ZONE 2 AREA) FLEX TO END DEVICE CONNECTION



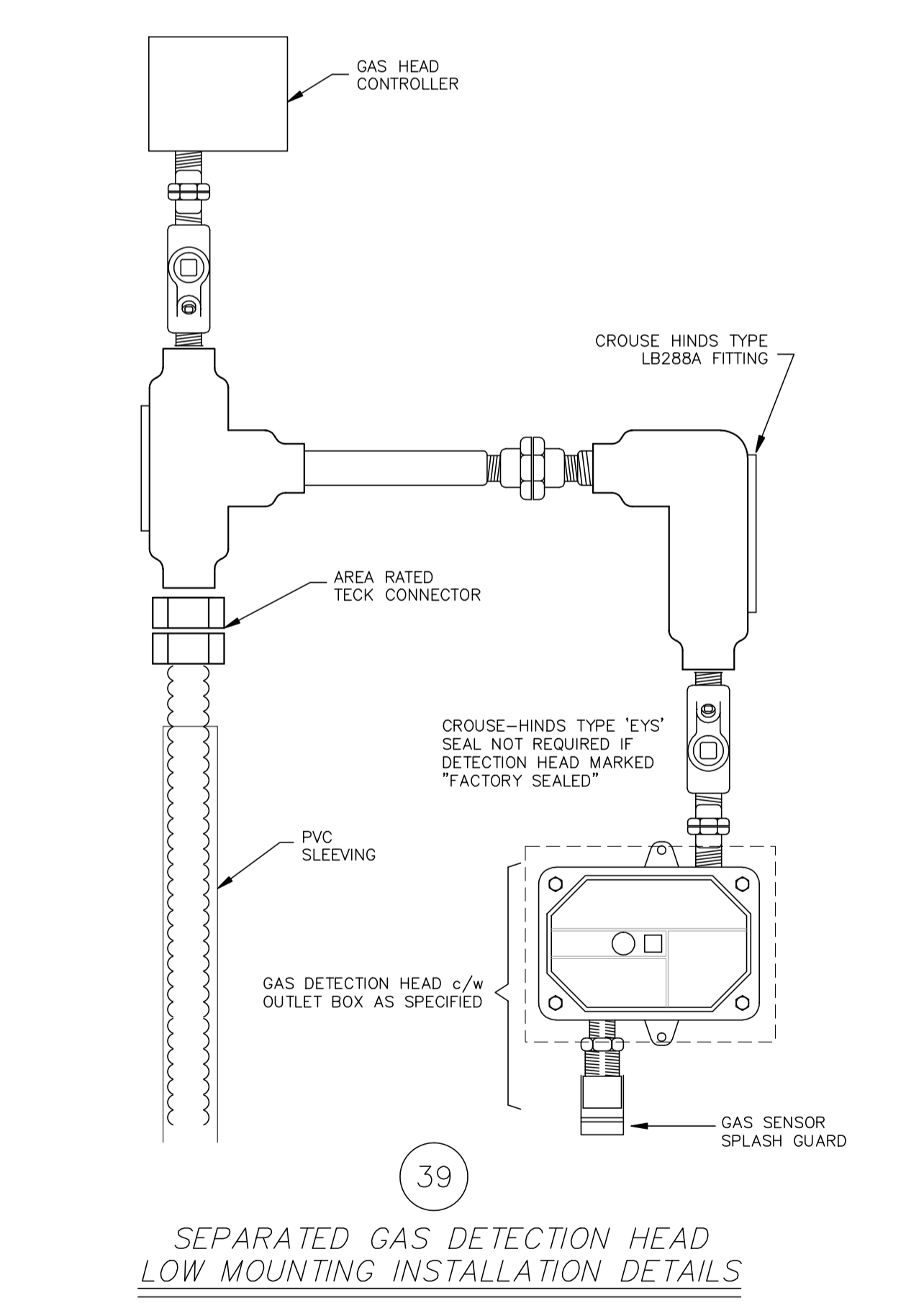
37

TYPICAL AGAR PROBE CONTROLLER CONNECTION



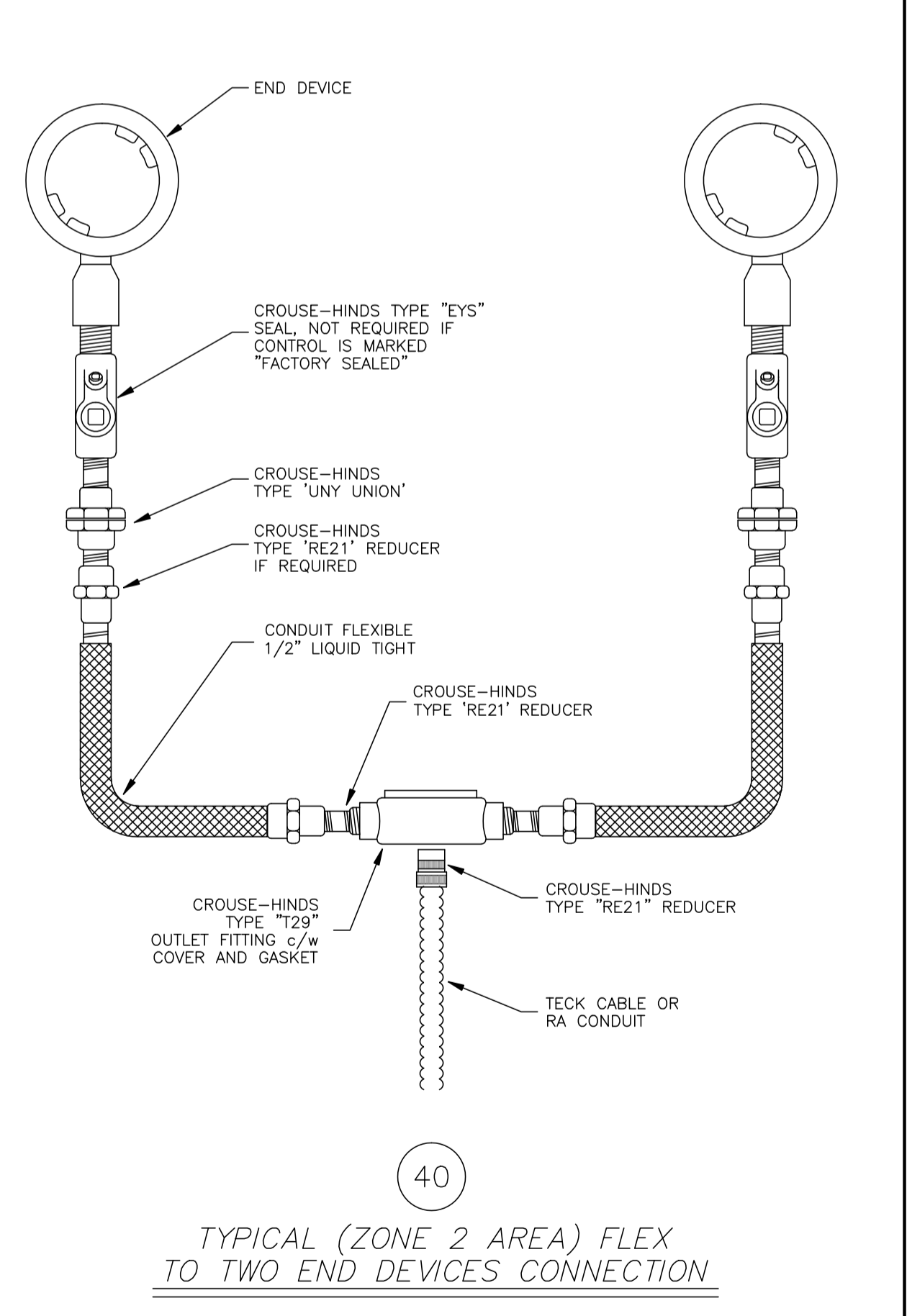
38

TYPICAL AGAR PROBE CONNECTION DETAILS



39

SEPARATED GAS DETECTION HEAD LOW MOUNTING INSTALLATION DETAILS



40

TYPICAL (ZONE 2 AREA) FLEX TO TWO END DEVICES CONNECTION

NO.	ISSUED FOR INFORMATION	REVISION	PROJ. No.	BY	DATE	CHK.	DATE
0	ISSUED FOR INFORMATION		43648	FC	04.10.07	BGO	04.10.13

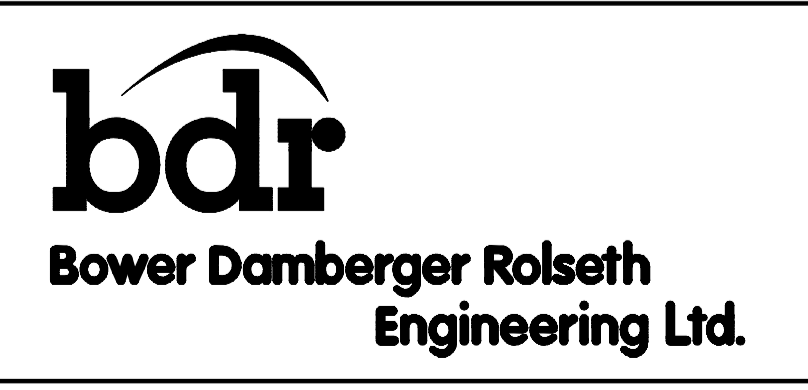
PERMIT STAMP:

--	--	--	--

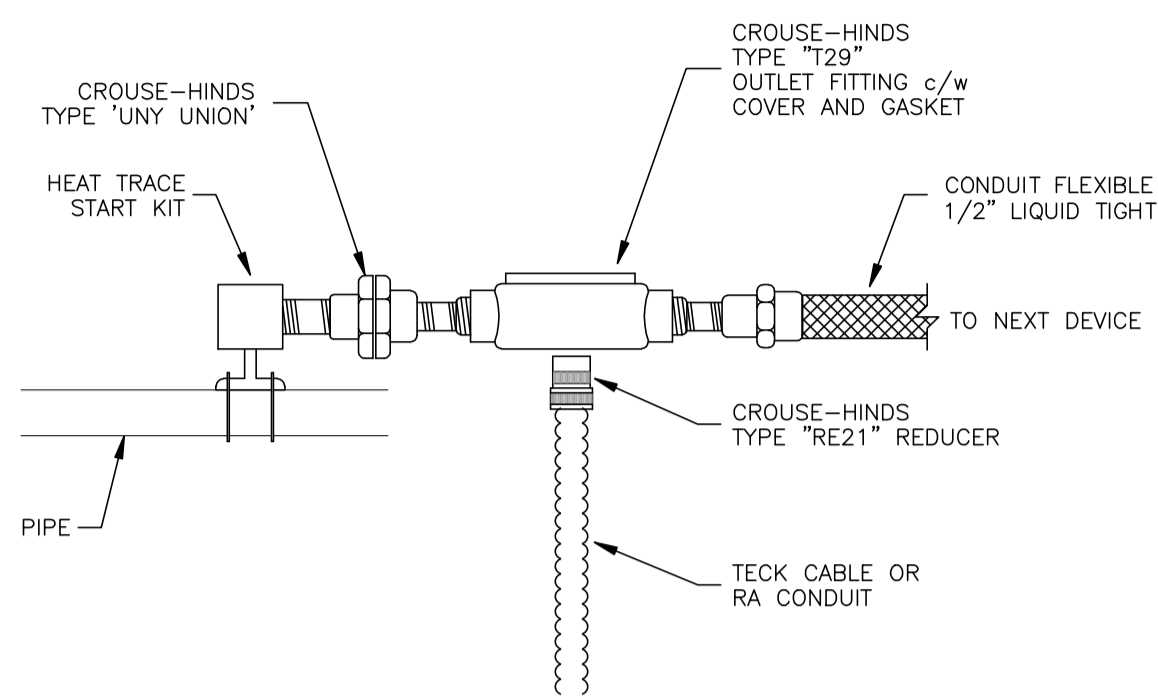
GENERAL NOTES:

- "POST CONSTRUCTION DRAWINGS" ARE GENERATED FROM CONSTRUCTION CHANGE INFORMATION FORWARDED TO BOWER DAMBERGER ROLSETH ENGINEERING LTD. BY THE OWNER'S FIELD SUPERVISORS AND OR OTHERS. ALL CONSTRUCTION AND/OR MATERIALS NOT SHOWN ON THE DRAWINGS AND THEREFORE THE DRAWING MAY NOT BE AN ACCURATE REPRESENTATION OF THE CONSTRUCTED FACILITY.
- PRIOR TO THE COMMENCEMENT OF ANY CONSTRUCTION AND/OR EQUIPMENT INSTALLATION, THE RESPONSIBILITY OF THE OWNER REPRESENTATIVE TO VERIFY THE LOCATION AND STATUS OF ANY PIPING, ELECTRICAL, EQUIPMENT OR BUILDINGS.
- ANY REVISIONS MADE TO EXISTING EQUIPMENT, PIPING OR ELECTRICAL ON A FACILITY NOT DESIGNED BY BDR, ENG. LTD. IS ONLY SHOWN AS A REPRESENTATION OF WHAT EXISTS AND MUST BE VERIFIED BY THE OWNER.

BY	DATE
DRN. FC	04.10.07
CHK.	
APP'D.	
L.S.D.	15-10-62-06 WSM

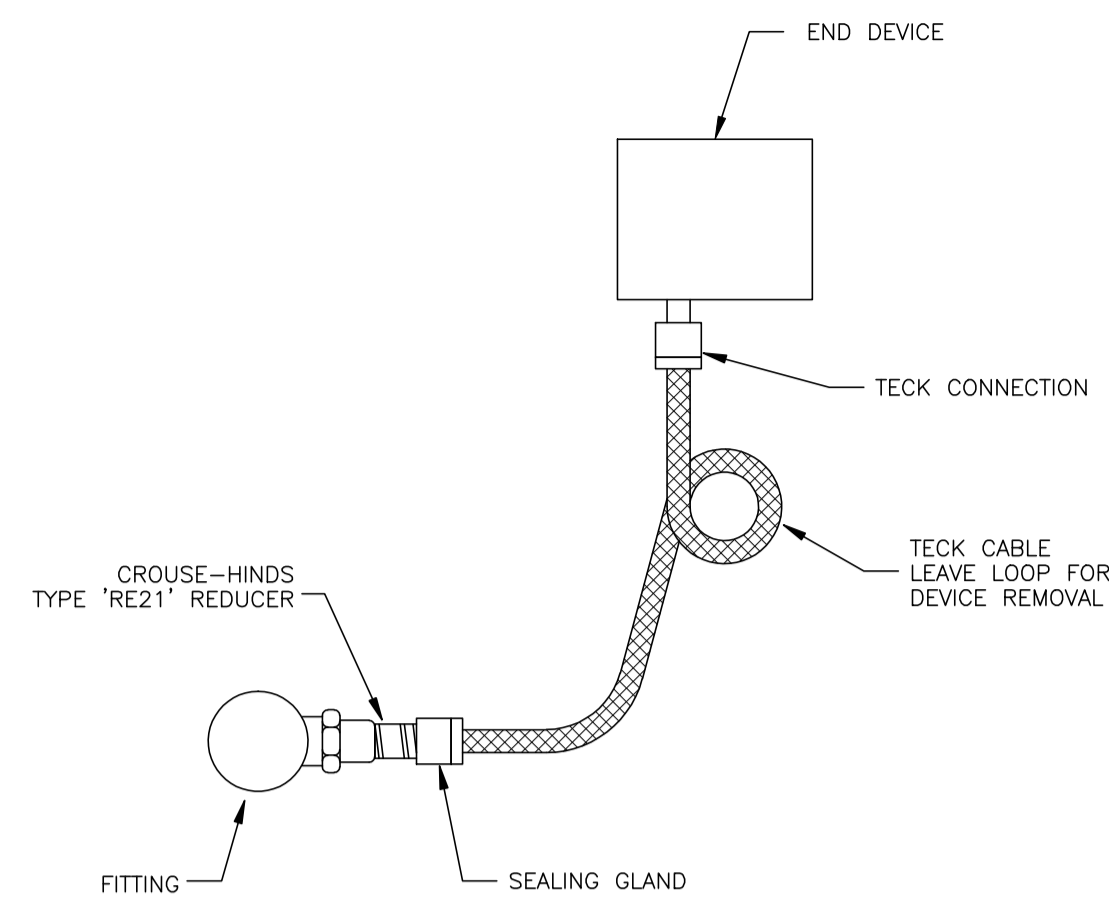


FORT ENERGY CORPORATION		
CORBETT GAS PLANT INSTALLATION DETAILS		
SCALE	DRAWING NUMBER	REV
N/A	D-23212-E-90-006	0



41

TYPICAL (ZONE 2 AREA)
FLEX TO 2 OR MORE HEAT TRACE STARTER



42

TYPICAL (ZONE 1 AREA)
TECK CABLE CONNECTION

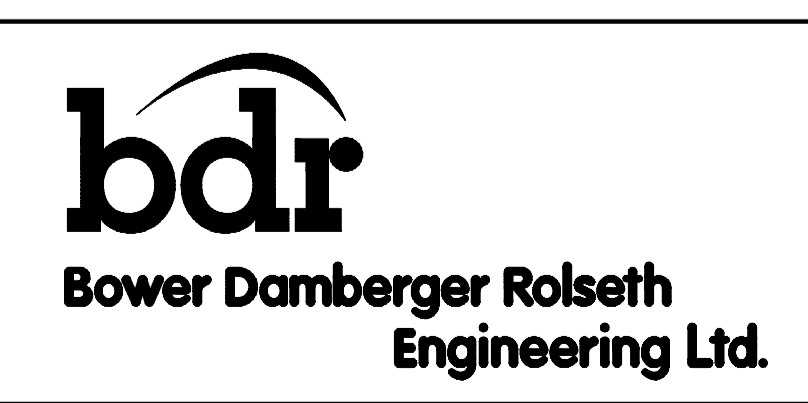
NO.	REVISION	PROJ. No.	BY	DATE	CHK.	DATE
0	ISSUED FOR INFORMATION	43648	FC	04.10.07	BGO	04.10.13

PERMIT STAMP:

GENERAL NOTES:

- "POST CONSTRUCTION DRAWINGS" ARE GENERATED FROM CONSTRUCTION CHANGE INFORMATION FORWARDED TO BOWER DAMBERGER ROLSETH ENGINEERING LTD. BY THE OWNER'S FIELD SUPERVISORS AND/OR MISC CONTRACTORS. ANY CHANGES NOT DOCUMENTED WILL NOT APPEAR ON THE DRAWINGS AND THEREFORE THE DRAWING MAY NOT BE AN ACCURATE REPRESENTATION OF THE CONSTRUCTED FACILITY.
- PRIOR TO THE COMMENCEMENT OF ANY CONSTRUCTION AND/OR EXCAVATION IT SHALL BE THE RESPONSIBILITY OF THE OWNER'S REPRESENTATIVE TO VERIFY THE LOCATION AND STATUS OF ANY PIPING, ELECTRICAL, EQUIPMENT OR BUILDINGS.
- ANY REVISIONS MADE TO EXISTING EQUIPMENT, PIPING OR ELECTRICAL ON A FACILITY NOT DESIGNED BY B.D.R. ENG. LTD. IS ONLY SHOWN AS A REPRESENTATION OF WHAT EXISTS AND MUST BE VERIFIED BY THE OWNER.

DRN.	BY	DATE
CHK.	FC	04.10.07
APP'D.		
L.S.D.	15-10-62-06	WSM



FORT ENERGY CORPORATION		
CORBETT GAS PLANT INSTALLATION DETAILS		
SCALE	DRAWING NUMBER	REV
N/A	D-23212-E-90-007	0