

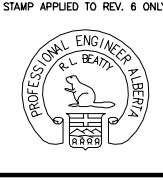
NO.	REVISION	PROJECT	DSN	DRN	CHK'D	APP'D	DATE
6	2005 EXPANSION ISSUED FOR CONSTRUCTION	43884	BGO	FC	BGO	RLB	05.10.19
5	2005 EXPANSION ISSUED FOR BID	43884	BGO	FC	BGO		05.09.26
4	2005 EXPANSION ISSUED FOR APPROVAL	43884	BGO	FC	BGO		05.09.06
3	POST CONSTRUCTION REVISIONS	43733	ATB	SM	ATB		05.02.02
2	ISSUED FOR CONSTRUCTION	43733	ATB	FC	ATB	WDS	04.11.01
1	ISSUED FOR FIELD BID	43733	ATB	FC	ATB		04.10.15
0	ISSUED FOR APPROVAL	43733	BGO	FC	BGO		04.08.24

**PERMIT STAMP:**

**PERMIT TO PRACTICE**  
Bower Damberger Rolseth Engineering Ltd.

Signature \_\_\_\_\_  
Date: JULY 20 2005

**PERMIT NUMBER: P 3935**  
The Association of Professional Engineers, Geologists and Geophysicists of Alberta



**STAMP APPLIED TO REV. 6 ONLY**

**BOWER DAMBERGER ROLSETH ENGINEERING LTD.**

OCT 19 2005

**ISSUED FOR CONSTRUCTION**

**GENERAL NOTES:**

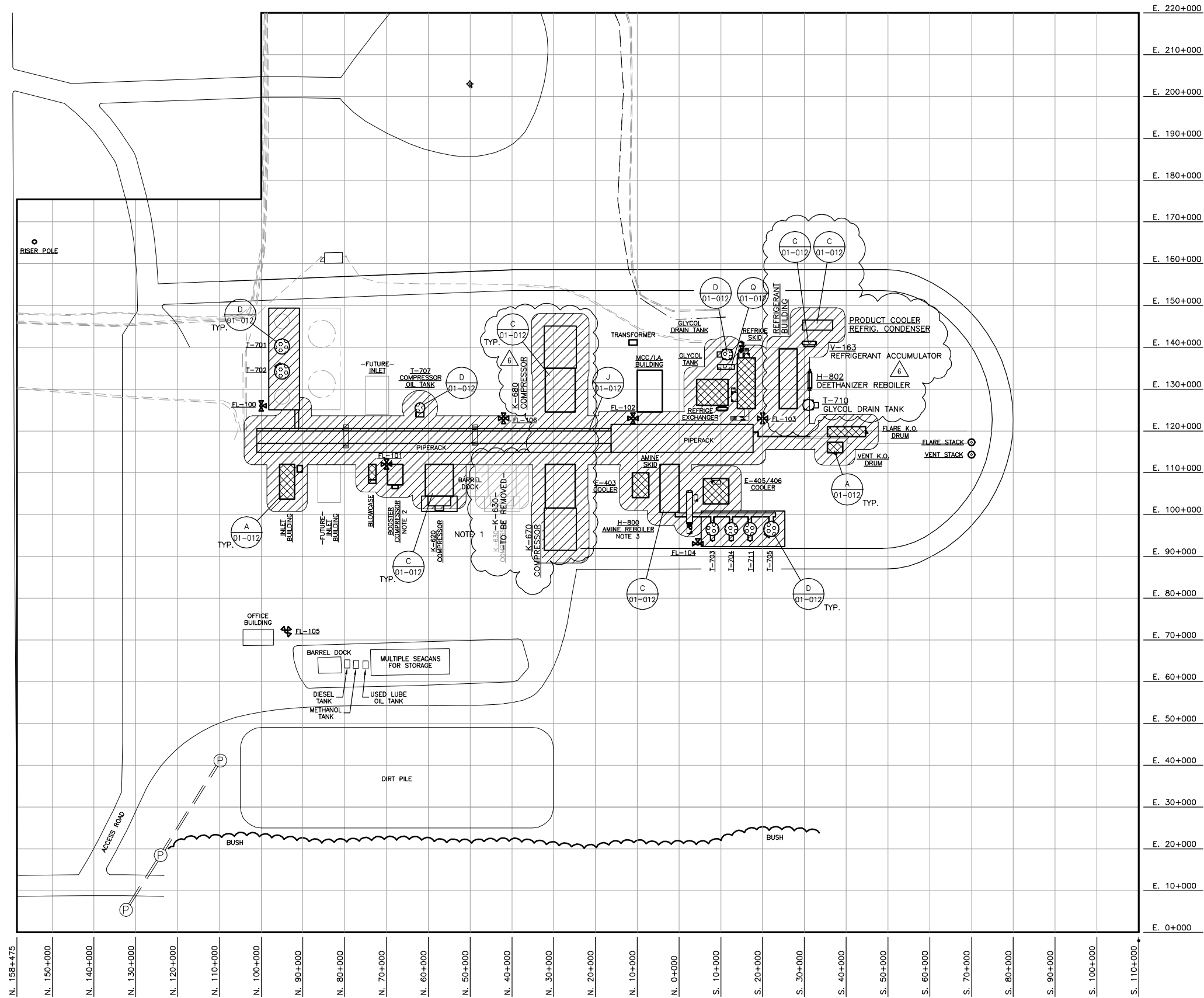
1. MOST CONSTRUCTION DRAWINGS ARE GENERATED FROM CONSTRUCTION CHANGE INFORMATION FORWARDED TO BOWER DAMBERGER ROLSETH ENGINEERING LTD. BY THE OWNER'S FIELD SUPERVISORS AND OR THEIR CONTRACTORS. ANY CHANGES NOT DOCUMENTED WILL NOT APPEAR ON THE DRAWINGS AND THEREFORE THE DRAWING MAY NOT BE AN ACCURATE REPRESENTATION OF THE CONSTRUCTED FACILITY.
2. WORK TO THE COMPLETION OF ANY CONSTRUCTION AND ON EXPIRATION IT SHALL BE THE RESPONSIBILITY OF THE OWNER REPRESENTATIVE TO VERIFY THE LOCATION AND STATUS OF ANY PIPING, ELECTRICAL EQUIPMENT OR BUILDINGS.
3. ANY REVISIONS MADE TO EXISTING EQUIPMENT, PIPING OR ELECTRICAL ON A FACILITY NOT OWNED BY B.D.R. ENG. LTD. IS ONLY SHOWN AS A REPRESENTATION OF WHAT EXISTS AND MUST BE VERIFIED BY THE OWNER.

DESIGN	BY	DATE
DESIGN	BGO	04.08.24
DRAWN	FC	04.08.24
CHK'D	BGO	05.10.19
APP'D	RLB	05.10.19
L.S.D.	15-10-62-06 WSM	

**FORT ENERGY CORPORATION**

CORBETT GAS PLANT  
ELECTRICAL EQUIPMENT LAYOUT/  
PLOT PLAN

SCALE	DRAWING NUMBER	REV
1 : 500	D-23212-E-01-001	6

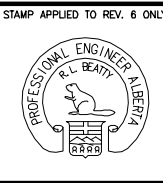


- NOTES:**
1. K-620 & K-630 COMPRESSOR AREA CLASSIFICATION OF CLASS 1, ZONE 2, WAS ESTABLISHED BY A FUGITIVE EMISSIONS STUDY CONDUCTED BY BOB GROSKOP, P.ENG DATED OCTOBER 17TH, 2004
  2. K-650 COMPRESSOR AREA CLASSIFICATION OF CLASS 1, ZONE 2, WAS ESTABLISHED BY A FUGITIVE EMISSIONS STUDY CONDUCTED BY BOB GROSKOP, P.ENG DATED OCTOBER 17TH, 2004
  3. C-300 AMINE BUILDING AREA CLASSIFICATION OF CLASS 1, ZONE 2 WAS ESTABLISHED BY A FUGITIVE EMISSIONS STUDY CONDUCTED BY BOB GROSKOP, P.ENG DATED OCTOBER 17TH, 2004
  4. K-670 & K-680 COMPRESSOR AREA CLASSIFICATION OF CLASS 1, ZONE 2, WAS ESTABLISHED BY A FUGITIVE EMISSIONS STUDY AND API RP505 CONDUCTED BY ROSS BEATTY, P.ENG

NO.	REVISION	PROJECT	DSN	DRN	CHK'D	APP'D	DATE
6	2005 EXPANSION ISSUED FOR CONSTRUCTION	43884	BGO	FC	BGO	RLB	05.10.19
5	2005 EXPANSION ISSUED FOR BID	43884	BGO	FC	BGO		05.09.26
4	2005 EXPANSION ISSUED FOR APPROVAL	43884	BGO	FC	BGO		05.09.06
3	POST CONSTRUCTION REVISIONS	43733	ATB	SM	ATB		05.02.02
2	ISSUED FOR CONSTRUCTION	43733	ATB	FC	ATB	WDS	04.11.01
1	ISSUED FOR FIELD BID	43733	ATB	FC	ATB		04.10.18
0	ISSUED FOR APPROVAL	43733	ATB	FC	ATB		04.10.16

**PERMIT STAMP:**

**PERMIT TO PRACTICE**  
Bower Damberger Rolseth Engineering Ltd.  
Signature \_\_\_\_\_  
Date: JULY 20 2005  
**PERMIT NUMBER: P 3935**  
The Association of Professional Engineers,  
Geologists and Geophysicists of Alberta



**STAMP APPLIED TO REV. 6 ONLY**

**BOWER DAMBERGER ROLSETH ENGINEERING LTD.**  
OCT 19 2005  
**ISSUED FOR CONSTRUCTION**

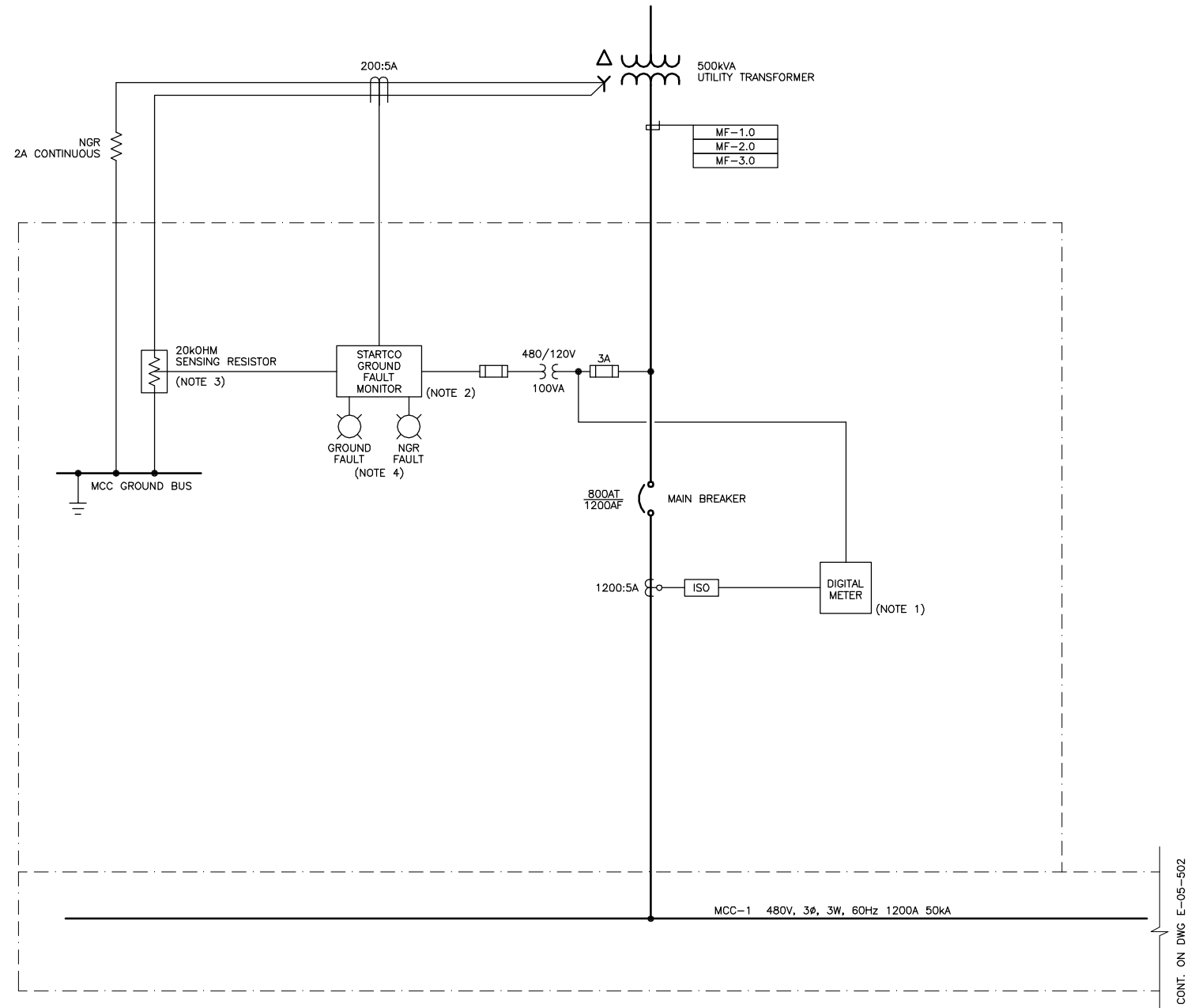
**GENERAL NOTES:**

1. MOST CONSTRUCTION DRAWINGS ARE GENERATED FROM CONSTRUCTION CHANGE INFORMATION FORWARDED TO SOUTH CAMBRIA ROYALTY ENGINEERING LTD. BY THE OWNER'S FIELD SUPERVISORS AND OR THEIR CONTRACTORS. ANY CHANGES NOT DOCUMENTED WILL NOT APPEAR ON THE DRAWINGS AND THEREFORE THE DRAWING MAY NOT BE AN ACCURATE REPRESENTATION OF THE CONSTRUCTED FACILITY.
2. WORK TO THE COMPLETION OF ANY CONSTRUCTION AND ON EXPIRATION IT SHALL BE THE RESPONSIBILITY OF THE OWNER REPRESENTATIVE TO VERIFY THE LOCATION AND STATUS OF ANY PIPING, ELECTRICAL EQUIPMENT OR BUILDINGS.
3. ANY REVISIONS MADE TO EXISTING EQUIPMENT, PIPING OR ELECTRICAL ON A FACILITY NOT OWNED BY B.D.R. ENG. LTD. IS ONLY SHOWN AS A REPRESENTATION OF WHAT EXISTS AND MUST BE VERIFIED BY THE OWNER.

DESIGN	BY	DATE
DESIGN	ATB	04.10.16
DRAWN	FC	04.10.16
CHK'D	BGO	05.10.19
APP'D	RLB	05.10.19
L.S.D.	15-10-62-06 WSM	



FORT ENERGY CORPORATION		
CORBETT GAS PLANT AREA CLASSIFICATION		
SCALE	DRAWING NUMBER	REV
1 : 500	D-23212-E-01-011	6



- NOTES:**
1. IQOP4130 CUTLER-HAMMER DIGITAL METER.
  2. STARTCO SE-325 GROUND NEUTRAL GROUNDING RESISTOR MONITOR.
  3. ER-600VC STARTCO SENSING RESISTOR.
  4. STARTCO RK-325 REMOTE INDICATION & RESET ASSEMBLY FOR SE-325.

NO.	REVISION	PROJ. No.	BY	DATE	CHK.	DATE
3	POST CONSTRUCTION REVISIONS	43733	SM	05.02.02	ATB	05.02.02
2	ISSUED FOR CONSTRUCTION	43733	FC	04.10.28	ATB	04.11.02
1	ISSUED FOR FIELD BID	43733	FC	04.10.15	ATB	04.10.15
0	ISSUED FOR INFORMATION	43733	FC	04.08.10	BGO	04.08.11

PERMIT STAMP:	STAMP APPLIED TO REV. 2 ONLY

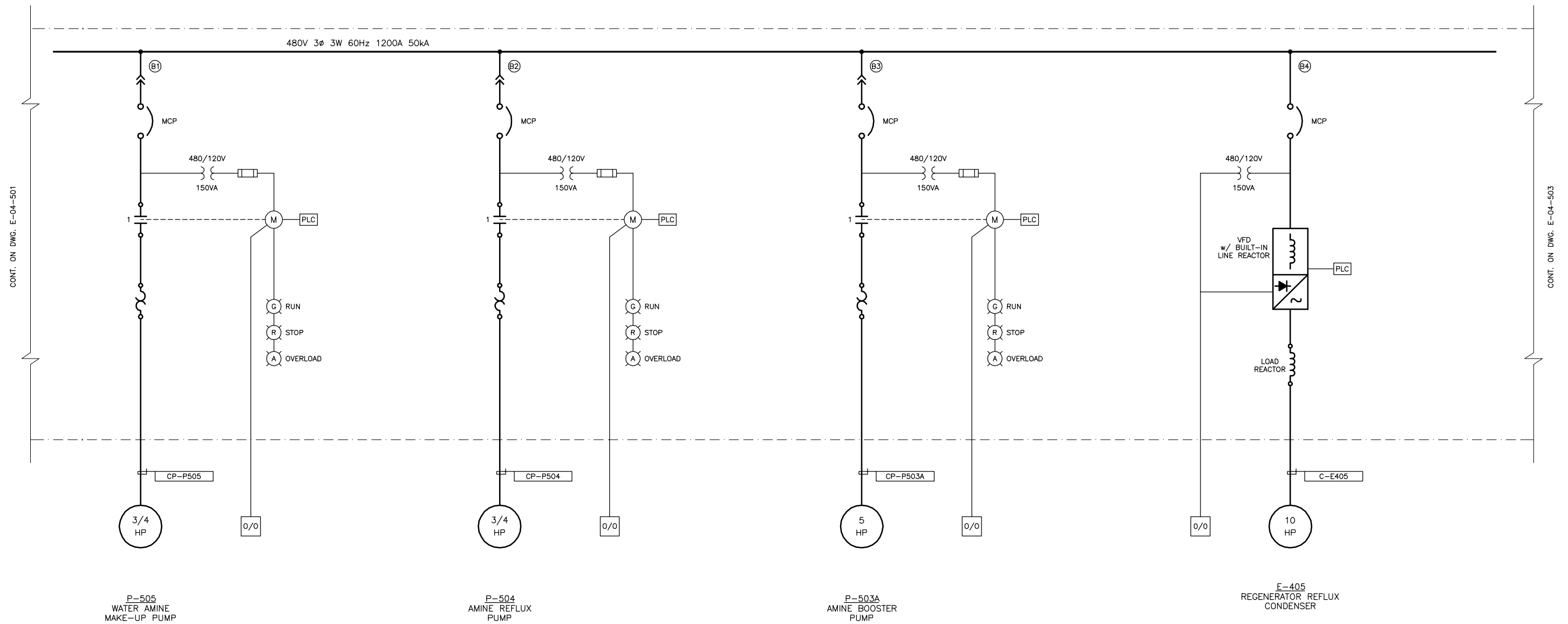
**GENERAL NOTES:**

1. "AS-BUILT" CONSTRUCTION DRAWINGS ARE GENERATED FROM CONSTRUCTION CHANGE INFORMATION FORWARDED TO SOUTH DAKOTA HEALTH ENGINEERING LTD. BY THE OWNER'S FIELD SUPERVISORS AND/OR THEIR CONTRACTORS. ANY CHANGES NOT DOCUMENTED WILL NOT APPEAR ON THE DRAWINGS AND THEREFORE THE DRAWING MAY NOT BE AN ACCURATE REPRESENTATION OF THE CONSTRUCTED FACILITY.
2. PRIOR TO THE COMPLETION OF ANY CONSTRUCTION AND OR EXPANSION IT SHALL BE THE RESPONSIBILITY OF THE OWNER REPRESENTATIVE TO VERIFY THE LOCATION AND STATUS OF ANY PIPING, ELECTRICAL EQUIPMENT OR BUILDINGS.
3. ANY REVISIONS MADE TO EXISTING EQUIPMENT, PIPING OR ELECTRICAL ON A FACILITY NOT OWNED BY B.D.R. ENG. LTD. IS ONLY SHOWN AS A REPRESENTATION OF WHAT EXISTS AND MUST BE VERIFIED BY THE OWNER.

	BY	DATE
DRN.	FC	04.08.10
CHK.		
APP'D.		
L.S.D.	15-10-62-06 WSM	

**bdr**  
Bower Damberger Rolseth  
Engineering Ltd.

<b>FORT ENERGY CORPORATION</b>		
CORBETT GAS PLANT 480VAC SINGLE LINE DIAGRAM		
SCALE	DRAWING NUMBER	REV
N/A	D-23212-E-04-501	3



CONT. ON DWG. E-04-501

CONT. ON DWG. E-04-503

NO.	REVISION	PROJ. No.	BY	DATE	CHK.	DATE
3	POST CONSTRUCTION REVISIONS	43733	SM	05.02.02	ATB	05.02.02
2	ISSUED FOR CONSTRUCTION	43733	FC	04.10.28	ATB	04.11.01
1	ISSUED FOR FIELD BID	43733	FC	04.10.15	ATB	04.10.15
0	ISSUED FOR APPROVAL	43733	SM	04.09.28	ATB	04.09.28

PERMIT STAMP:

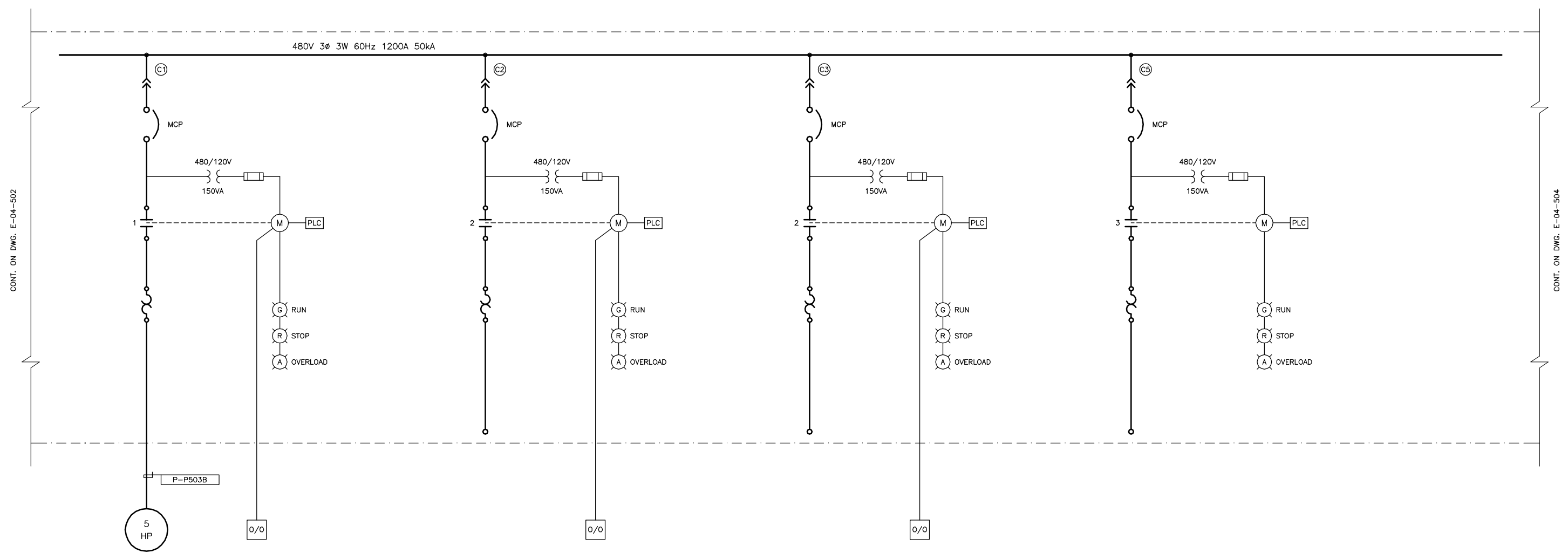
STAMP APPLIED TO REV. 2 ONLY

GENERAL NOTES:  
 1. MOST CONSTRUCTION DRAWINGS ARE GENERATED FROM CONSTRUCTION CHANGE INFORMATION FORWARDED TO SOUTH DAKOTA HEALTH ENGINEERING LTD. BY THE OWNER'S FIELD SUPERVISORS AND OR THEIR CONTRACTORS. ANY CHANGES NOT DOCUMENTED WILL NOT APPEAR ON THE DRAWINGS AND THEREFORE THE DRAWING MAY NOT BE AN ACCURATE REPRESENTATION OF THE CONSTRUCTED FACILITY.  
 2. PRIOR TO THE COMMENCEMENT OF ANY CONSTRUCTION AND OR ERECTION IT SHALL BE THE RESPONSIBILITY OF THE OWNER REPRESENTATIVE TO VERIFY THE LOCATION AND STATUS OF ANY PIPING, ELECTRICAL EQUIPMENT OR BUILDINGS.  
 3. ANY REVISIONS MADE TO EXISTING EQUIPMENT, PIPING OR ELECTRICAL ON A FACILITY NOT OWNED BY B.D.R. ENG. LTD. IS ONLY SHOWN AS A REPRESENTATION OF WHAT EXISTS AND MUST BE VERIFIED BY THE OWNER.

	BY	DATE
DRN.	FC	04.08.10
CHK.		
APP'D.		
L.S.D.	15-10-62-06 WSM	



FORT ENERGY CORPORATION		
CORBETT GAS PLANT		
480VAC SINGLE LINE DIAGRAM		
SCALE	DRAWING NUMBER	REV
N/A	D-23212-E-04-502	3



CONT. ON DWG. E-04-502

CONT. ON DWG. E-04-504

P-503B  
STAND BY AMINE  
BOOSTER PUMP

SPARE

SPARE

SPARE

NO.	REVISION	PROJECT	DSN	DRN	CHK'D	APP'D	DATE
3	POST CONSTRUCTION REVISIONS	43733	ATB	SM	ATB		05.02.02
2	ISSUED FOR CONSTRUCTION	43733	ATB	FC	ATB	WDS	04.11.01
1	ISSUED FOR FIELD BID	43733	ATB	FC	ATB		04.10.15
0	ISSUED FOR APPROVAL	43733	ATB	SM	ATB		04.09.28

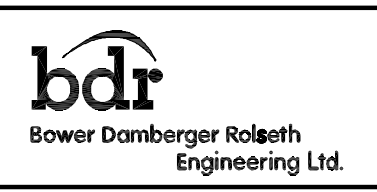
PERMIT STAMP:

STAMP APPLIED TO REV. 2 ONLY

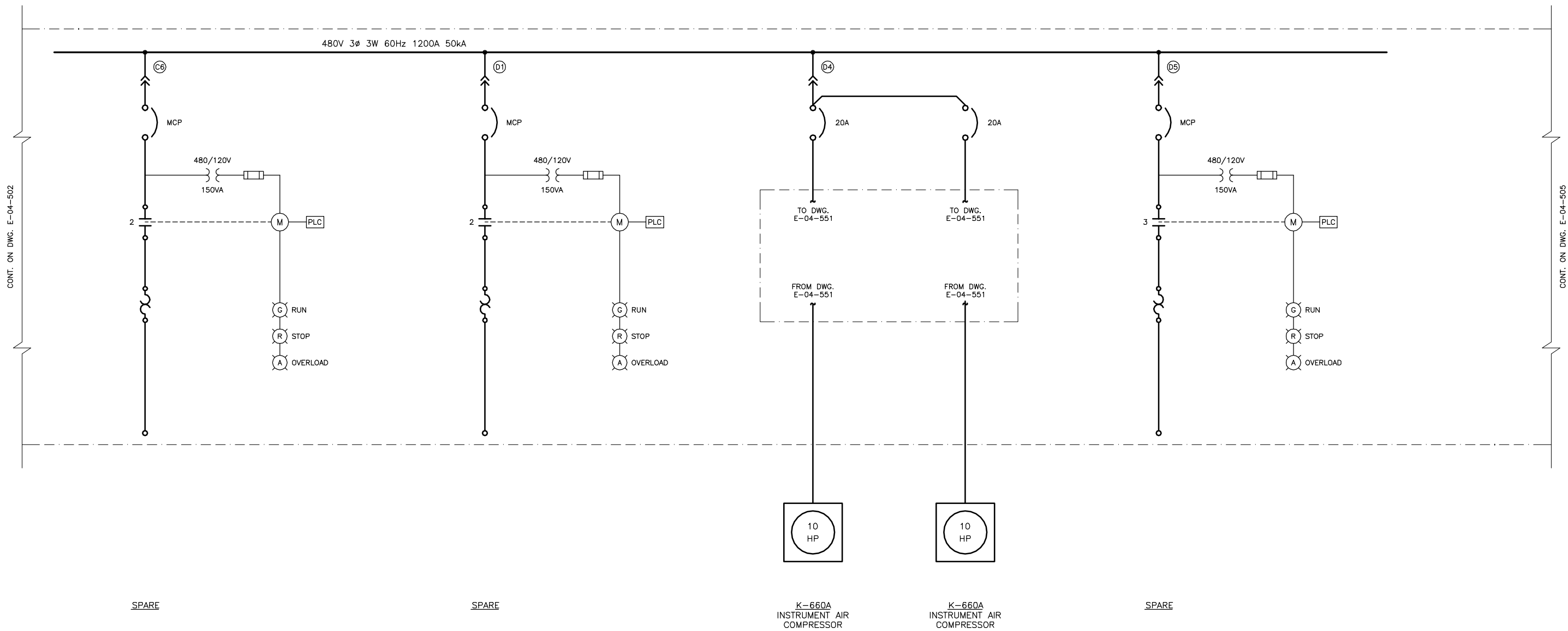
GENERAL NOTES:

1. "POST CONSTRUCTION DRAWINGS" ARE GENERATED FROM CONSTRUCTION CHANGE INFORMATION FORWARDED TO SOUTH OMAHA COUNTY HEALTH ENGINEERS LTD. BY THE OWNER'S FIELD SUPERVISORS AND/OR THEIR CONTRACTORS. ANY CHANGES NOT DOCUMENTED WILL NOT APPEAR ON THE DRAWINGS AND THEREFORE THE DRAWING MAY NOT BE AN ACCURATE REPRESENTATION OF THE CONSTRUCTED FACILITY.
2. PRIOR TO THE COMMENCEMENT OF ANY CONSTRUCTION AND OR EXCAVATION IT SHALL BE THE RESPONSIBILITY OF THE OWNER REPRESENTATIVE TO VERIFY THE LOCATION AND STATUS OF ANY PIPING, ELECTRICAL EQUIPMENT OR BUILDINGS.
3. ANY REVISIONS MADE TO EXISTING EQUIPMENT, PIPING OR ELECTRICAL ON A FACILITY NOT OWNED BY B.D.R. ENG. LTD. IS ONLY SHOWN AS A REPRESENTATION OF WHAT EXISTS AND MUST BE VERIFIED BY THE OWNER.

	BY	DATE
DESIGN	ATB	04.08.10
DRAWN	FC	04.08.10
CHK'D		
APP'D		
L.S.D.	15-10-62-06	WSM



FORT ENERGY CORPORATION		
CORBETT GAS PLANT 480VAC SINGLE LINE DIAGRAM		
SCALE	DRAWING NUMBER	REV
N/A	D-23212-E-04-503	3



CONT. ON DWG. E-04-502

CONT. ON DWG. E-04-505

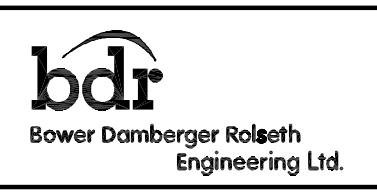
NO.	REVISION	PROJECT	DSN	DRN	CHK'D	APP'D	DATE
3	POST CONSTRUCTION REVISIONS	43733	ATB	SM	ATB		05.02.02
2	ISSUED FOR CONSTRUCTION	43733	ATB	FC	ATB	WDS	04.11.01
1	ISSUED FOR FIELD BID	43733	ATB	FC	ATB		04.10.15
0	ISSUED FOR APPROVAL	43733	ATB	SM	ATB		04.09.28

PERMIT STAMP:

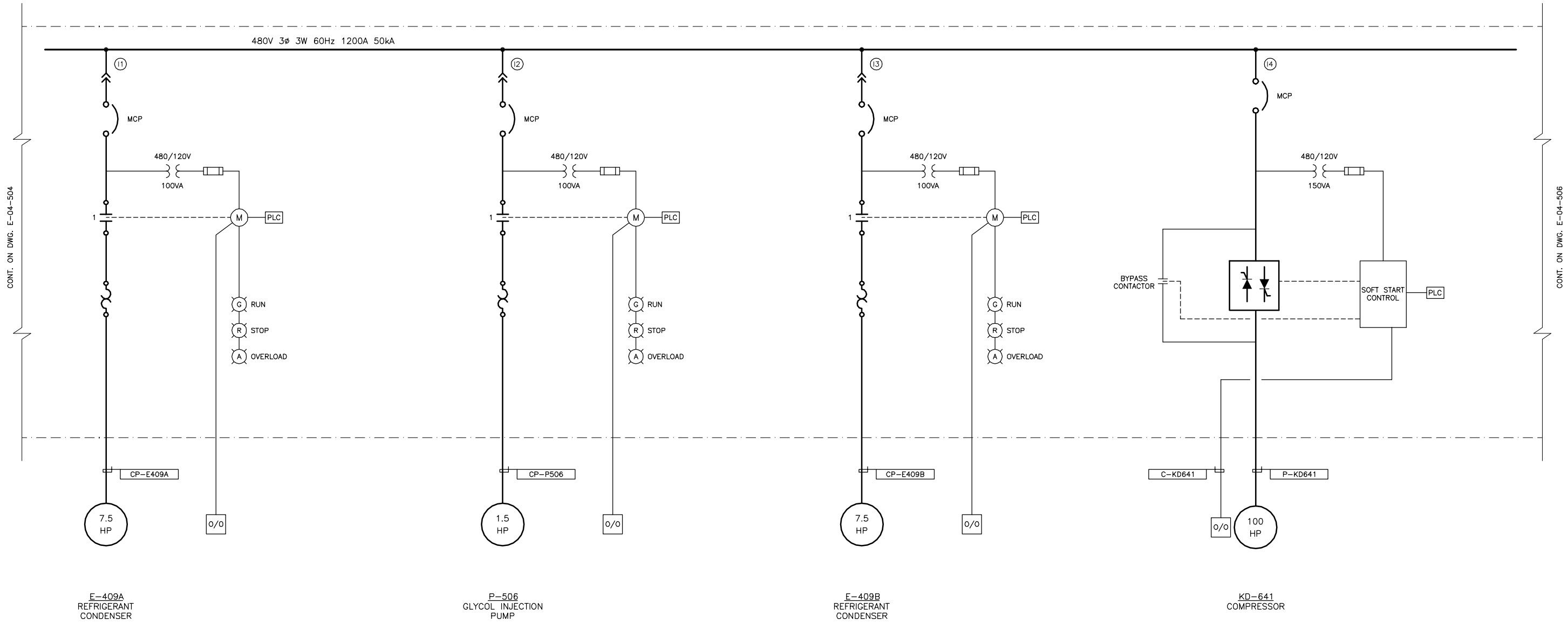
STAMP APPLIED TO REV. 2 ONLY

GENERAL NOTES:  
 1. MOST CONSTRUCTION DRAWINGS ARE GENERATED FROM CONSTRUCTION CHANGE INFORMATION FORWARDED TO SOUTH DAMBERGER ROLSETH ENGINEERING LTD. BY THE OWNER'S FIELD SUPERVISORS AND OR THEIR CONTRACTORS. ANY CHANGES NOT DOCUMENTED WILL NOT APPEAR ON THE DRAWINGS AND THEREFORE THE DRAWING MAY NOT BE AN ACCURATE REPRESENTATION OF THE CONSTRUCTED FACILITY.  
 2. PRIOR TO THE COMMENCEMENT OF ANY CONSTRUCTION AND OR ERECTION IT SHALL BE THE RESPONSIBILITY OF THE OWNER REPRESENTATIVE TO VERIFY THE LOCATION AND STATUS OF ANY PIPING, ELECTRICAL EQUIPMENT OR BUILDING.  
 3. ANY REVISIONS MADE TO EXISTING EQUIPMENT, PIPING OR ELECTRICAL ON A FACILITY NOT OWNED BY B.D.R. ENG. LTD. IS ONLY SHOWN AS A REPRESENTATION OF WHAT EXISTS AND MUST BE VERIFIED BY THE OWNER.

	BY	DATE
DESIGN	ATB	04.08.10
DRAWN	FC	04.08.10
CHK'D		
APP'D		
L.S.D.	15-10-62-06	W5M



FORT ENERGY CORPORATION		
CORBETT GAS PLANT 480VAC SINGLE LINE DIAGRAM		
SCALE	DRAWING NUMBER	REV
N/A	D-23212-E-04-504	3



CONT. ON DWG. E-04-504

CONT. ON DWG. E-04-506

NO.	REVISION	PROJ. No.	BY	DATE	CHK.	DATE
3	POST CONSTRUCTION REVISIONS	43733	SM	05.02.02	ATB	05.02.02
2	ISSUED FOR CONSTRUCTION	43733	FC	04.10.28	ATB	04.11.01
1	ISSUED FOR FIELD BID	43733	FC	04.10.15	ATB	04.10.15
0	ISSUED FOR APPROVAL	43733	SM	04.09.28	ATB	04.09.28

PERMIT STAMP:		STAMP APPLIED TO REV. 2 ONLY	

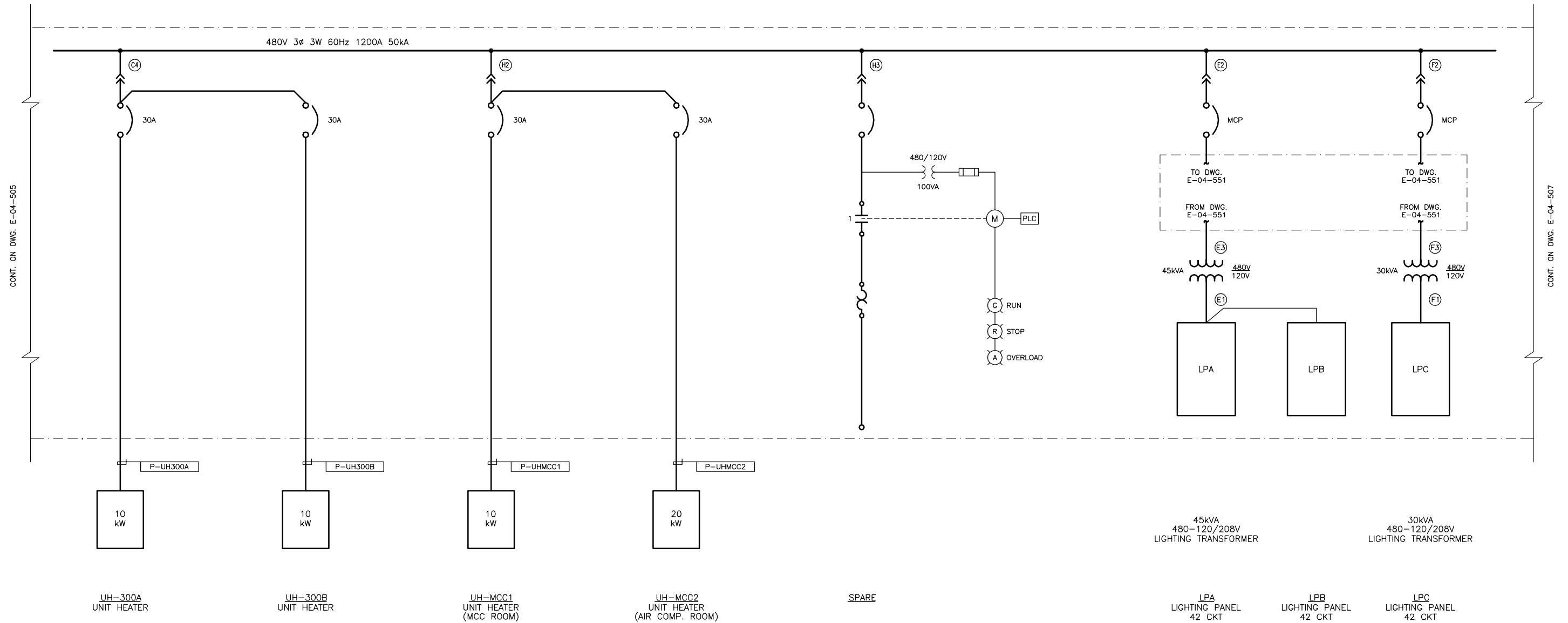
**GENERAL NOTES:**

1. "POST CONSTRUCTION DRAWINGS" ARE GENERATED FROM CONSTRUCTION CHANGE INFORMATION FORWARDED TO SOUTH DAKOTA HEALTH ENGINEERING LTD. BY THE OWNER'S FIELD SUPERVISORS AND OR THEIR CONTRACTORS. ANY CHANGES NOT DOCUMENTED WILL NOT APPEAR ON THE DRAWINGS AND THEREFORE THE DRAWING MAY NOT BE AN ACCURATE REPRESENTATION OF THE CONSTRUCTED FACILITY.
2. PRIOR TO THE COMMENCEMENT OF ANY CONSTRUCTION AND OR EXPANSION IT SHALL BE THE RESPONSIBILITY OF THE OWNER'S REPRESENTATIVE TO VERIFY THE LOCATION AND STATUS OF ANY PIPING, ELECTRICAL EQUIPMENT OR BUILDINGS.
3. ANY REVISIONS MADE TO EXISTING EQUIPMENT, PIPING OR ELECTRICAL ON A FACILITY NOT OWNED BY B.D.R. ENG. LTD. IS ONLY SHOWN AS A REPRESENTATION OF WHAT EXISTS AND MUST BE VERIFIED BY THE OWNER.

DRN.	BY	DATE
CHK.	FC	04.08.10
APP'D.		
L.S.D.	15-10-62-06 WSM	



FORT ENERGY CORPORATION		
CORBETT GAS PLANT		
480VAC SINGLE LINE DIAGRAM		
SCALE	DRAWING NUMBER	REV
N/A	D-23212-E-04-505	3



CONT. ON DWG. E-04-505

CONT. ON DWG. E-04-507

NO.	REVISION	PROJECT	DSN	DRN	CHK'D	APP'D	DATE
3	POST CONSTRUCTION REVISIONS	43733	ATB	SM	ATB		05.02.02
2	ISSUED FOR CONSTRUCTION	43733	ATB	FC	ATB	WDS	04.11.01
1	ISSUED FOR FIELD BID	43733	ATB	FC	ATB		04.10.15
0	ISSUED FOR APPROVAL	43733	ATB	SM	ATB		04.09.28

PERMIT STAMP:

STAMP APPLIED TO REV. 2 ONLY

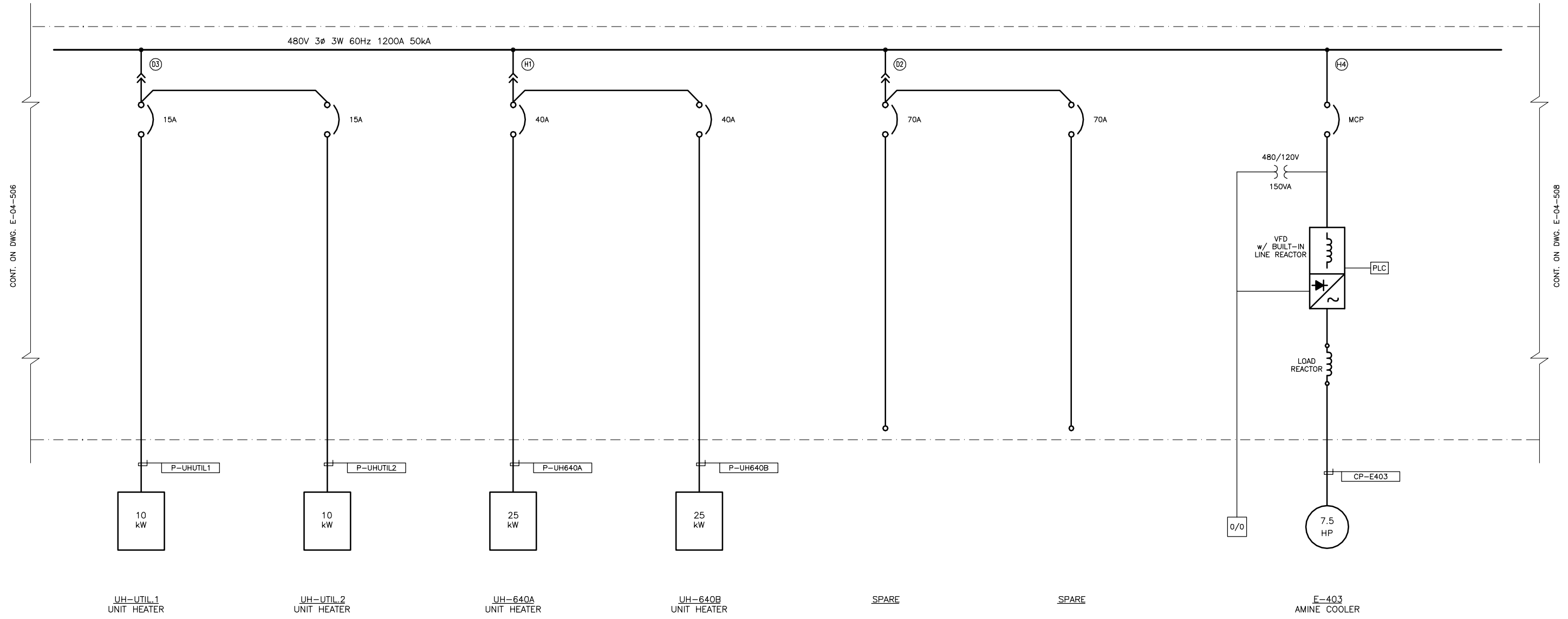
GENERAL NOTES:  
 1. "POST CONSTRUCTION DRAWINGS" ARE GENERATED FROM CONSTRUCTION CHANGE INFORMATION FORWARDED TO SOUTH OMAHA COUNTY HEALTH ENGINEERING LTD. BY THE OWNER'S FIELD SUPERVISORS AND OR THEIR CONTRACTORS. ANY CHANGES NOT DOCUMENTED WILL NOT APPEAR ON THE DRAWINGS AND THEREFORE THE DRAWING MAY NOT BE AN ACCURATE REPRESENTATION OF THE CONSTRUCTED FACILITY.  
 2. PRIOR TO THE COMMENCEMENT OF ANY CONSTRUCTION AND OR EXCAVATION IT SHALL BE THE RESPONSIBILITY OF THE OWNER REPRESENTATIVE TO VERIFY THE LOCATION AND STATUS OF ANY PIPING, ELECTRICAL EQUIPMENT OR BUILDINGS.  
 3. ANY REVISIONS MADE TO EXISTING EQUIPMENT, PIPING OR ELECTRICAL ON A FACILITY NOT OWNED BY B.D.R. ENG. LTD. IS ONLY SHOWN AS A REPRESENTATION OF WHAT EXISTS AND MUST BE VERIFIED BY THE OWNER.

	BY	DATE
DESIGN	ATB	04.08.10
DRAWN	FC	04.08.10
CHK'D		
APP'D		
L.S.D.	15-10-62-06	WSM



FORT ENERGY CORPORATION		
CORBETT GAS PLANT 480VAC SINGLE LINE DIAGRAM		
SCALE	DRAWING NUMBER	REV
N/A	D-23212-E-04-506	3





NOTES:  
 1. CABLE TO BE RUN FOR FUTURE THERMISTOR.

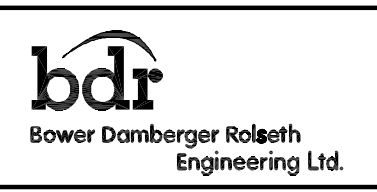
NO.	REVISION	PROJECT	DSN	DRN	CHK'D	APP'D	DATE
3	POST CONSTRUCTION REVISIONS	43884	ATB	SM	ATB		05.02.02
2	ISSUED FOR CONSTRUCTION	43884	ATB	FC	ATB	WDS	04.11.01
1	ISSUED FOR FIELD BID	43884	ATB	FC	ATB		04.10.15
0	ISSUED FOR APPROVAL	43884	ATB	SM	ATB		04.09.28

PERMIT STAMP:  
 STAMP APPLIED TO REV. 2 ONLY

GENERAL NOTES:  
 1. MOST CONSTRUCTION DRAWINGS ARE GENERATED FROM CONSTRUCTION CHANGE INFORMATION FORWARDED TO SOUTH DAMBERGER ROLSETH ENGINEERING LTD. BY THE OWNER'S FIELD SUPERVISORS AND OR THEIR CONTRACTORS. ANY CHANGES NOT DOCUMENTED WILL NOT APPEAR ON THE DRAWINGS AND THEREFORE THE DRAWING MAY NOT BE AN ACCURATE REPRESENTATION OF THE CONSTRUCTED FACILITY.  
 2. PRIOR TO THE COMMENCEMENT OF ANY CONSTRUCTION AND OR ERECTION IT SHALL BE THE RESPONSIBILITY OF THE OWNER REPRESENTATIVE TO VERIFY THE LOCATION AND STATUS OF ANY PIPING, ELECTRICAL EQUIPMENT OR BUILDINGS.  
 3. ANY REVISIONS MADE TO EXISTING EQUIPMENT, PIPING OR ELECTRICAL ON A FACILITY NOT OWNED BY B.D.R. ENG. LTD. IS ONLY SHOWN AS A REPRESENTATION OF WHAT EXISTS AND MUST BE VERIFIED BY THE OWNER.

DESIGN	BY	DATE
BGO	BGO	04.08.10
DRAWN	FC	04.08.10
CHK'D		
APP'D		
L.S.D.	15-10-62-06	WSM

BY DATE  
 BGO 04.08.10  
 FC 04.08.10  
 15-10-62-06 WSM



FORT ENERGY CORPORATION		
CORBETT GAS PLANT 480VAC MCC SINGLE LINE DIAGRAM		
SCALE	DRAWING NUMBER	REV
N/A	D-23212-E-04-507	6

CONT. ON DWG. E-04-507

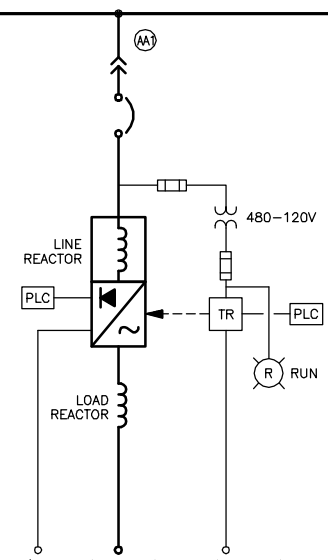
CONT. TO BELOW

CONT. FROM ABOVE

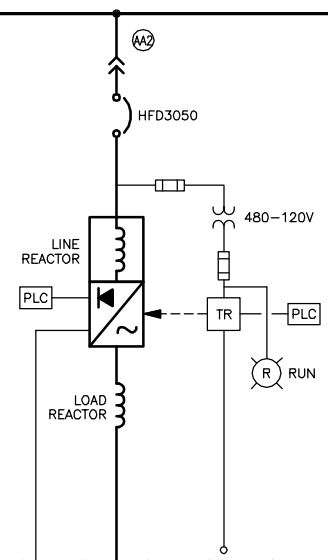
CONT. ON DWG. E-04-509

MCC - 480VAC 1200AMP BUS 50kA SYMMETRICAL

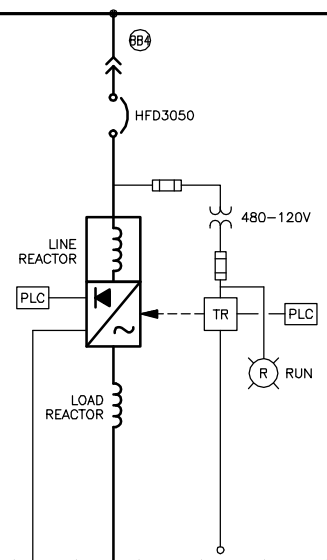
MCC - 480VAC 1200AMP BUS 50kA SYMMETRICAL



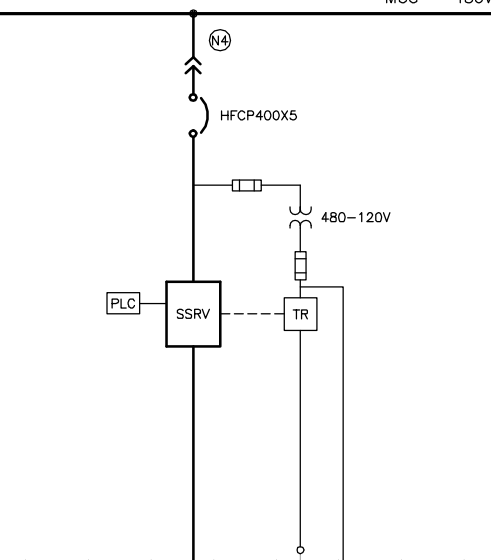
SPARE



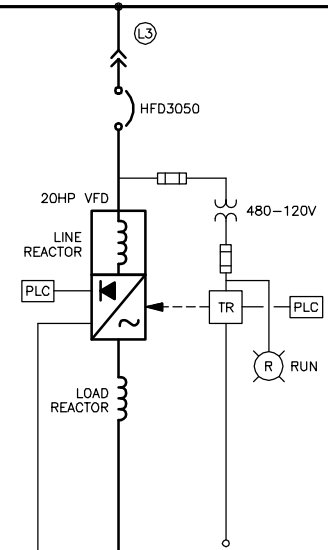
P-501A  
AMINE CHARGE  
PUMP



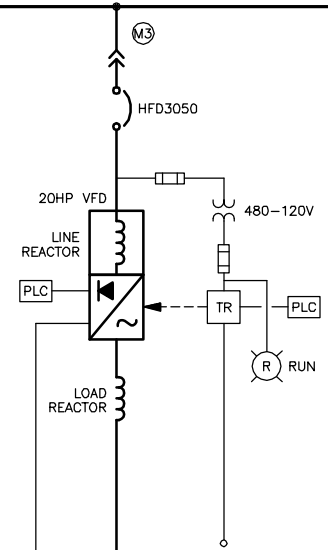
P-501B  
AMINE CHARGE  
PUMP



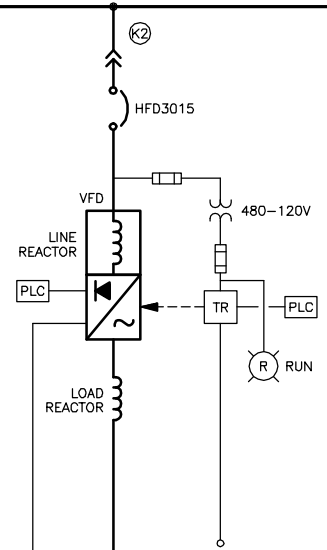
K-690  
REFRIGERANT COMPRESSOR



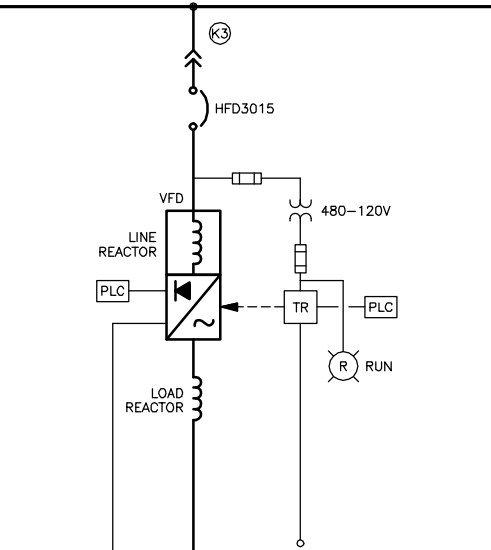
E-415A  
REFRIGERANT CONDENSER  
FAN #1



E-415B  
REFRIGERANT CONDENSER  
FAN #2



P-507  
GLYCOL INJECTION  
PUMP

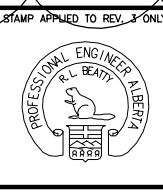


P-508  
GLYCOL INJECTION  
PUMP

NO.	REVISION	PROJECT	DSN	DRN	CHK'D	APP'D	DATE
3	2005 EXPANSION ISSUED FOR CONSTRUCTION	43884	BGO	FC	BGO	RLB	05.10.19
2	2005 EXPANSION ISSUED FOR BID	43884	BGO	FC	BGO	RLB	05.09.26
1	2005 EXPANSION ISSUED FOR APPROVAL	43884	BGO	FC	BGO	RLB	05.09.06
0	POST CONSTRUCTION REVISIONS	43733	BGO	FC	BGO	RLB	05.09.06

**PERMIT STAMP**

**PERMIT TO PRACTICE**  
Bower Damberger Rolseth Engineering Ltd.  
Signature: \_\_\_\_\_  
Date: JULY 20 2005  
**PERMIT NUMBER: P 3935**  
The Association of Professional Engineers, Geologists and Geophysicists of Alberta



**STAMP APPLIED TO REV. 3 ONLY**

**BOWER DAMBERGER ROLSETH ENGINEERING LTD.**  
OCT 19 2005  
**ISSUED FOR CONSTRUCTION**

**GENERAL NOTES:**

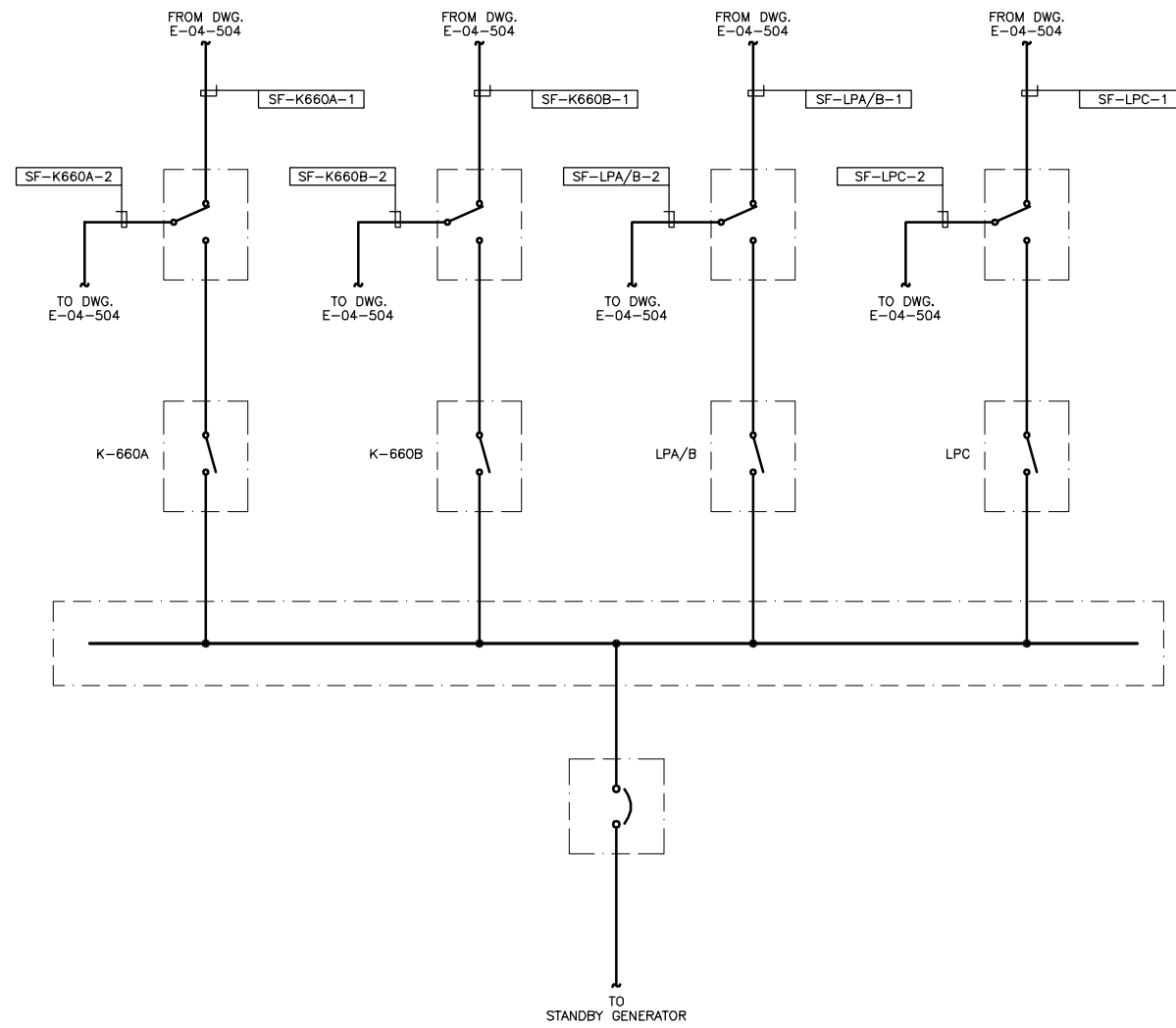
1. MOST CONSTRUCTION DRAWINGS ARE GENERATED FROM CONSTRUCTION CHANGE INFORMATION FORWARDED TO BOWER DAMBERGER ROLSETH ENGINEERING LTD. BY THE OWNER'S FIELD SUPERVISORS AND OR THEIR CONTRACTORS. ANY CHANGES NOT DOCUMENTED WILL NOT APPEAR ON THE DRAWINGS AND THEREFORE THE DRAWING MAY NOT BE AN ACCURATE REPRESENTATION OF THE CONSTRUCTED FACILITY.
2. PRIOR TO THE COMMENCEMENT OF ANY CONSTRUCTION AND OR ERECTION IT SHALL BE THE RESPONSIBILITY OF THE OWNER REPRESENTATIVE TO VERIFY THE LOCATION AND STATUS OF ANY PIPING, ELECTRICAL EQUIPMENT OR BUILDINGS.
3. ANY REVISIONS MADE TO EXISTING EQUIPMENT, PIPING OR ELECTRICAL ON A FACILITY NOT OWNED BY B.D.R. ENG. LTD. IS ONLY SHOWN AS A REPRESENTATION OF WHAT EXISTS AND MUST BE VERIFIED BY THE OWNER.

DESIGN	BY	DATE
BGO	BGO	05.08.17
FC	FC	05.08.17
BGO	BGO	05.10.19
RLB	RLB	05.10.19
WSM	WSM	15-10-62-06

**FORT ENERGY CORPORATION**

CORBETT GAS PLANT  
480VAC MCC  
SINGLE LINE DIAGRAM

SCALE	DRAWING NUMBER	REV
N/A	D-23212-E-04-508	3



-CONTRACTOR TO-  
-FIELD AS-BUILT-  
-SIZES-

RELOCATE TO INSTRUMENT  
AIR COMPRESSOR ROOM

NO.	REVISION	PROJECT	DSN	DRN	CHK'D	APP'D	DATE
0	POST CONSTRUCTION REVISIONS	43733	BGO	FC	BGO		05.10.19

PERMIT STAMP:

GENERAL NOTES:

1. MOST CONSTRUCTION DRAWINGS ARE GENERATED FROM CONSTRUCTION CHANGE INFORMATION FORWARDED TO SOUTH DAKOTA HEALTH ENGINEERING LTD. BY THE OWNER'S FIELD SUPERVISORS AND OR THEIR CONTRACTORS. ANY CHANGES NOT DOCUMENTED WILL NOT APPEAR ON THE DRAWINGS AND THEREFORE THE DRAWING MAY NOT BE AN ACCURATE REPRESENTATION OF THE CONSTRUCTED FACILITY.
2. PRIOR TO THE COMMENCEMENT OF ANY CONSTRUCTION AND OR EXCAVATION IT SHALL BE THE RESPONSIBILITY OF THE OWNER REPRESENTATIVE TO VERIFY THE LOCATION AND STATUS OF ANY PIPING, ELECTRICAL EQUIPMENT OR BUILDINGS.
3. ANY REVISIONS MADE TO EXISTING EQUIPMENT, PIPING OR ELECTRICAL ON A FACILITY NOT OWNED BY B.D.R. ENG. LTD. IS ONLY SHOWN AS A REPRESENTATION OF WHAT EXISTS AND MUST BE VERIFIED BY THE OWNER.

	BY	DATE
DESIGN	BGO	05.10.14
DRAWN	FC	05.10.14
CHK'D		
APP'D		
L.S.D.	15-10-62-06 WSM	

**bdr**  
Bower Damberger Rolseth  
Engineering Ltd.

SCALE	DRAWING NUMBER	REV
N/A	D-23212-E-04-551	0

**FORT ENERGY CORPORATION**

CORBETT GAS PLANT  
480VAC E-BUS DISTRIBUTION PANEL  
SINGLE LINE DIAGRAM