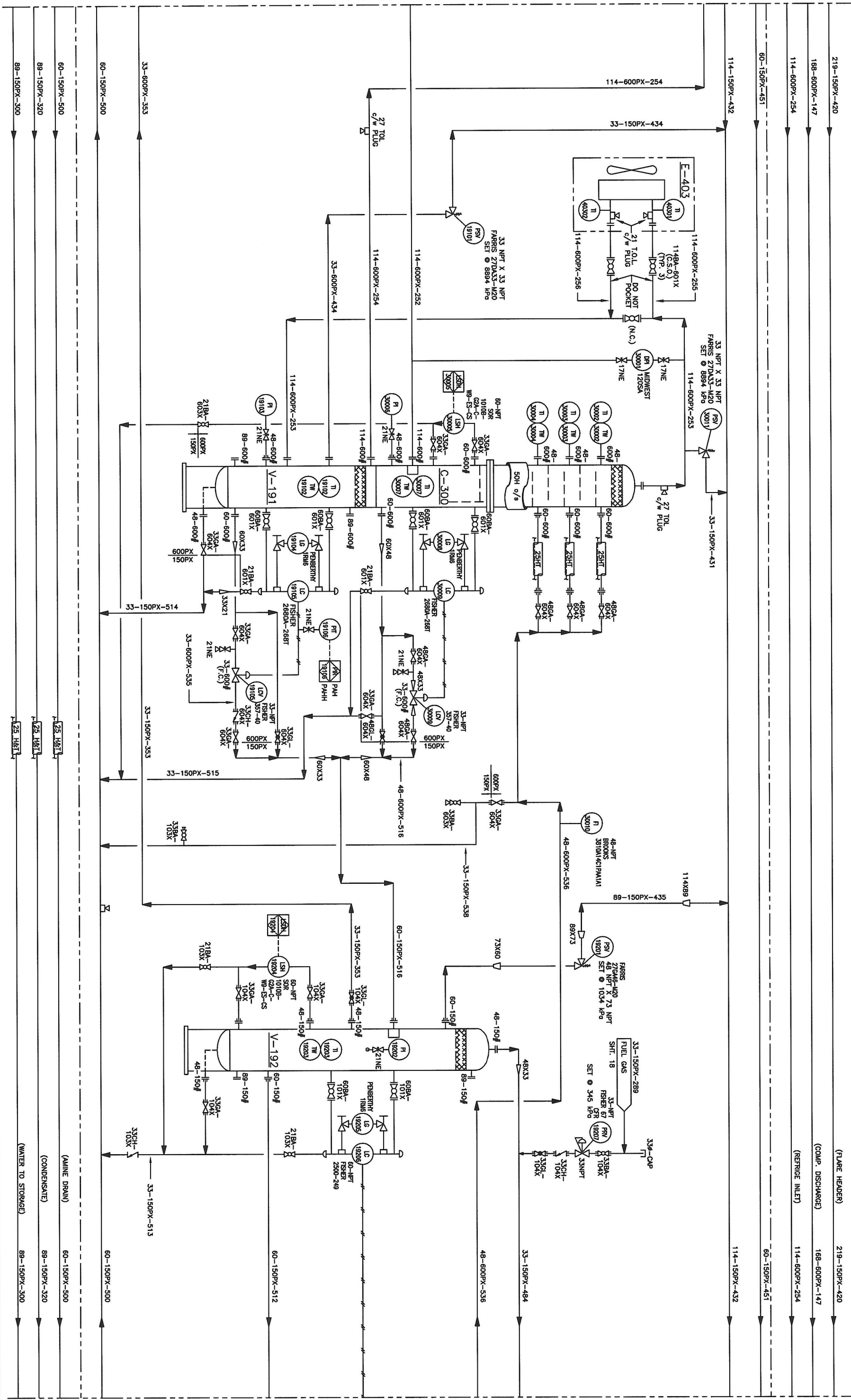


E-403
TRIM COOLER
PROPK MODEL:HH-60-72
7.5" I.D. X 10.0' S/S
DESIGN: 8308 IPr © -29/83C

C-300
AMINE CONTACTOR
610 I.D. X 1483 S/S
DESIGN: 9929 IPr © -29/84C
3mm CA

V-191
SWEET GAS SEPARATOR
610 I.D. X 1524 S/S
DESIGN: 9929 IPr © -29/84C
3mm CA

V-192
AMINE FLASH DRUM
610 I.D. X 2438 S/S
DESIGN: 1034 IPr © -29/85C
3mm CA



SHEET NUMBER	DRAWING NUMBER	REV
15 OF 36	15-10-62-06-W5-3015	10

(WATER TO STORAGE) 89-150PX-300

(CONDENSATE) 89-150PX-320

(AMINE DRAIN) 60-150PX-500

(FLARE HEADER) 219-150PX-420

(COMP. DISCHARGE) 168-600PX-147

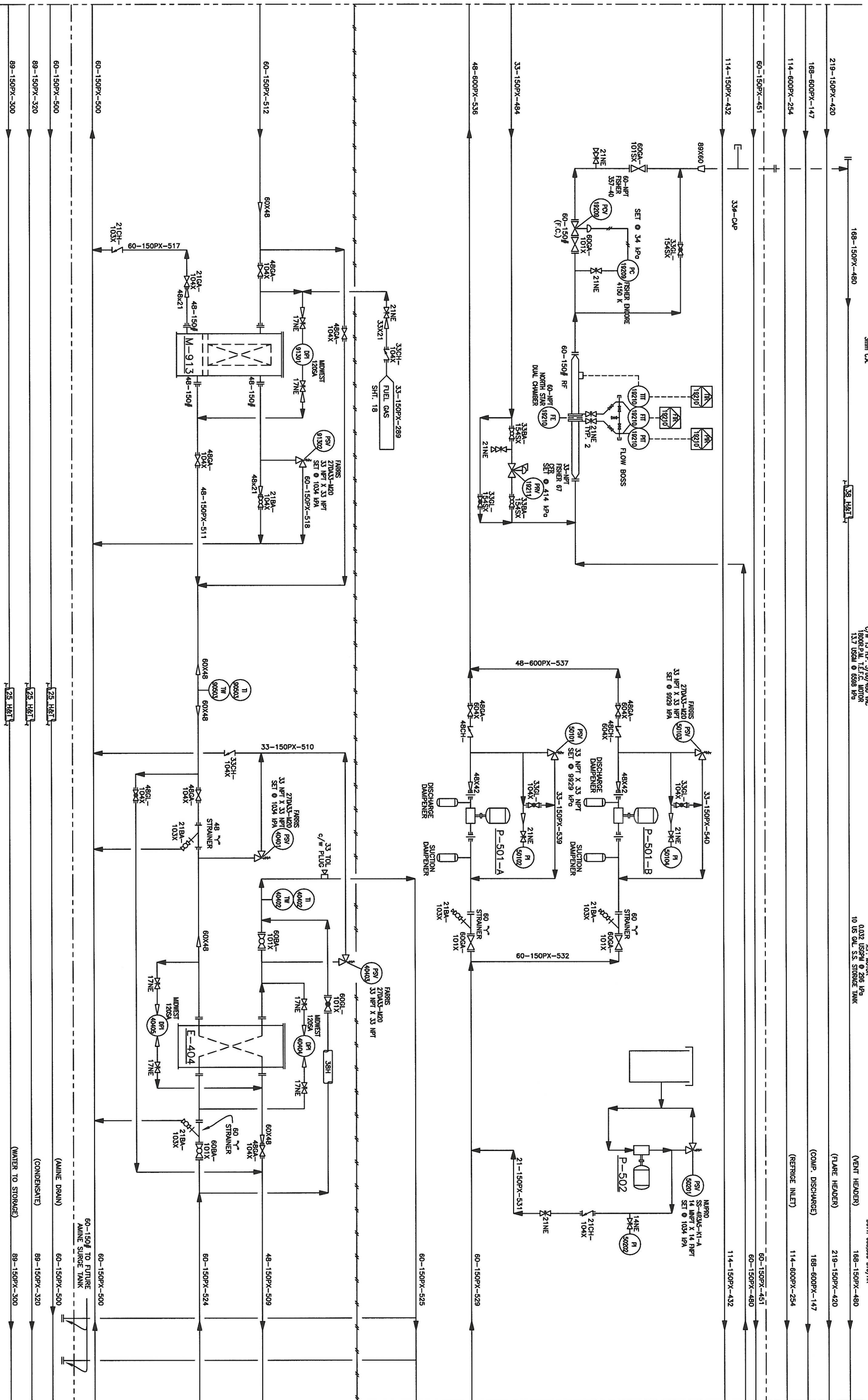
(REFRIGE INLET) 114-600PX-254

M-913
 AMINE PARTICULATE FILTER
 188 DDU X 1218 S/S
 DESIGN: 1024 R/P @ -29/149F
 JMM/CA

P-501-A/B
 H.P. AMINE CHARGE PUMPS
 270DXX-420
 TRIPLEX
 C/W 15 HP 3/60/480 WVC
 1800R.P.M. T.F.C. MOTOR
 13.7 USGAL @ 6988 R/P

P-502
 ANTI-FOAM CHEMICAL INJECTION PUMP
 TESTED UNDER 4303
 C/W 1/4 HP 1/60/120 WVC
 X.P. MOTOR
 0.032 USGAL @ 266 R/P
 10 US GAL S.S. STORAGE TANK

E-404
 LEAN/RICH AMINE EXCHANGER
 4PV SPEC (FRAME 3)
 DESIGN: 1024 R/P @ -29/149F
 DDU: 605,800 BTU/HR



SHEET NUMBER	DRAWING NUMBER	REV
16 OF 36	15-10-62-06-W5-3016	10

P-503-A/B
AMINE BOOSTER PUMPS
GRUNDOS C&S-10
MILNE CENTRIFUGAL PUMPS
5200 P.E.I., V.E.C. #10000
20.8 USGPM @ 850 RPS

M-906
AMINE PARTICULATE AFTER-FILTER
219 O.D. X 1067 S/S
DESIGN: 1034 RPS @ -29/68°C
Shim. CA.

M-907
AMINE CARBON FILTER
219 O.D. X 1219 S/S
DESIGN: 1034 RPS @ -29/68°C
Shim. CA.

M-908
AMINE PARTICULATE PRE-FILTER
219 O.D. X 1067 S/S
DESIGN: 1034 RPS @ -29/68°C
Shim. CA.

(VENT HEADER) 168-150PX-480

(FLARE HEADER) 219-150PX-420

(COMP. DISCHARGE) 168-600PX-147

(REFRIG. INLET) 114-600PX-254

60-150PX-451

60-150PX-480

114-150PX-432

60-150PX-542

168-150PX-480

219-150PX-420

168-600PX-147

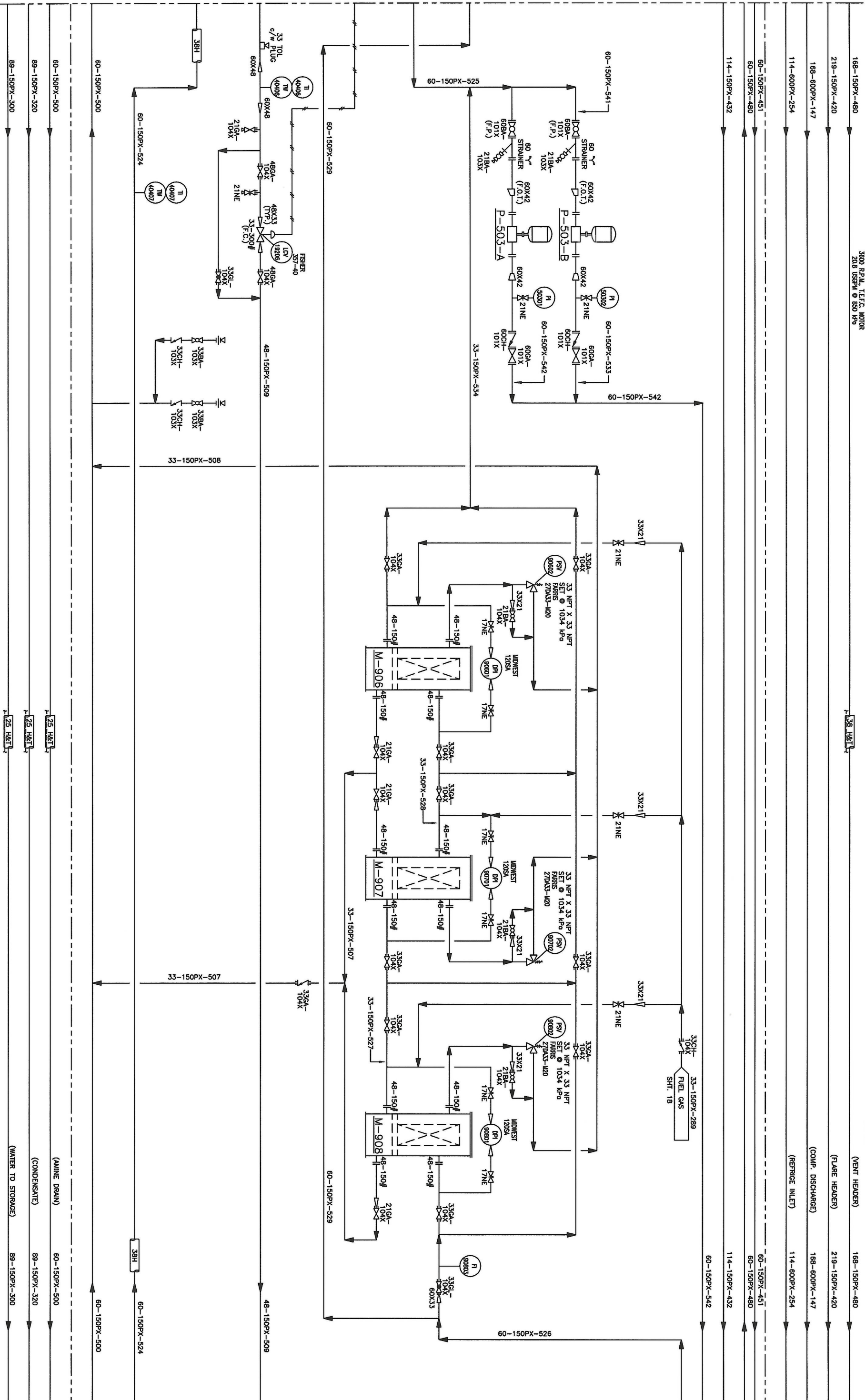
114-600PX-254

60-150PX-451

60-150PX-480

114-150PX-432

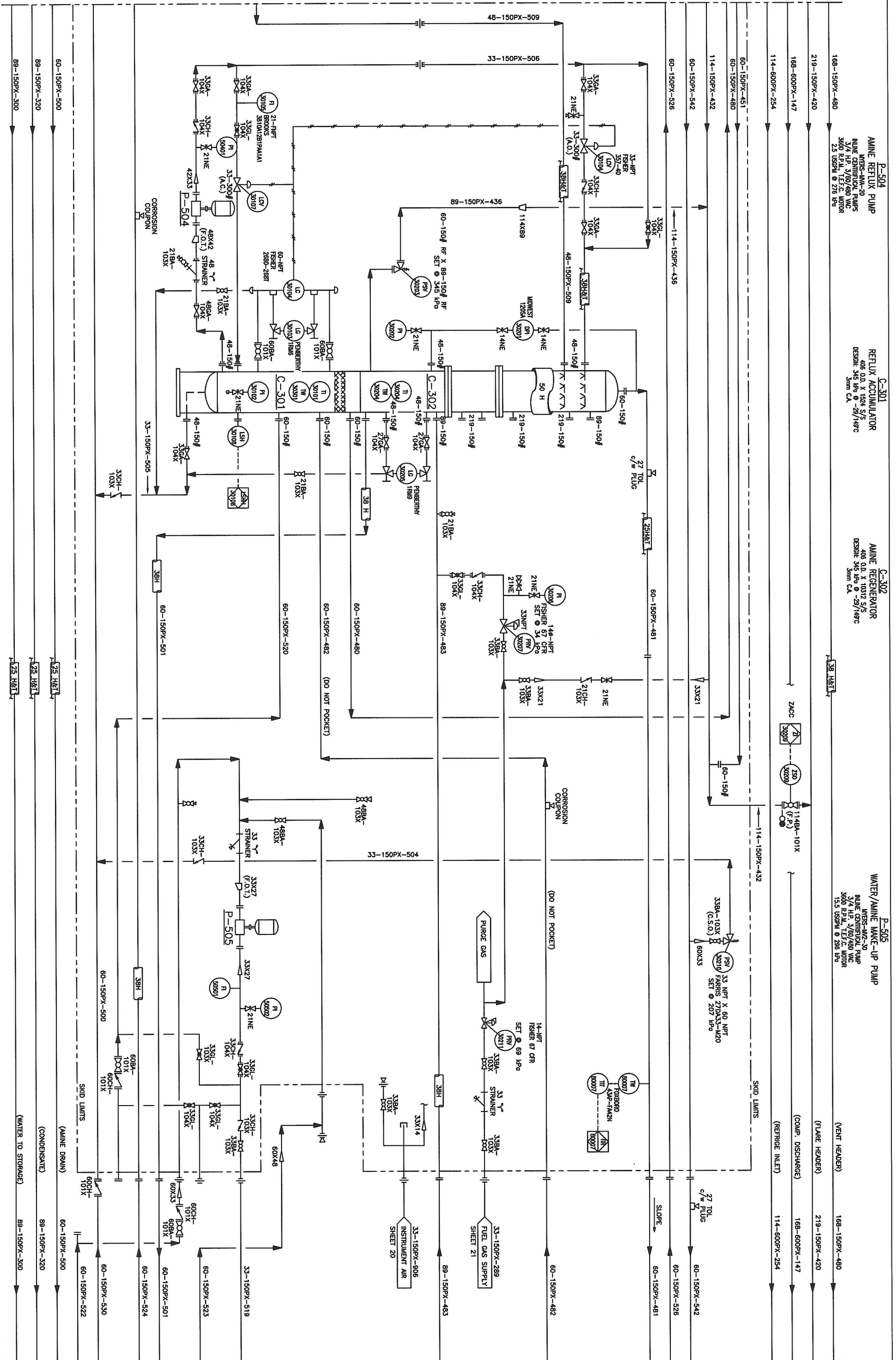
FOR CONTINUATION SEE SHEET 16



FOR CONTINUATION SEE SHEET 18

(AMINE DRAIN) 60-150PX-500
(CONDENSATE) 89-150PX-320
(WATER TO STORAGE) 89-150PX-300

SHEET NUMBER	DRAWING NUMBER
17 OF 36	15-10-62-06-W5-3017



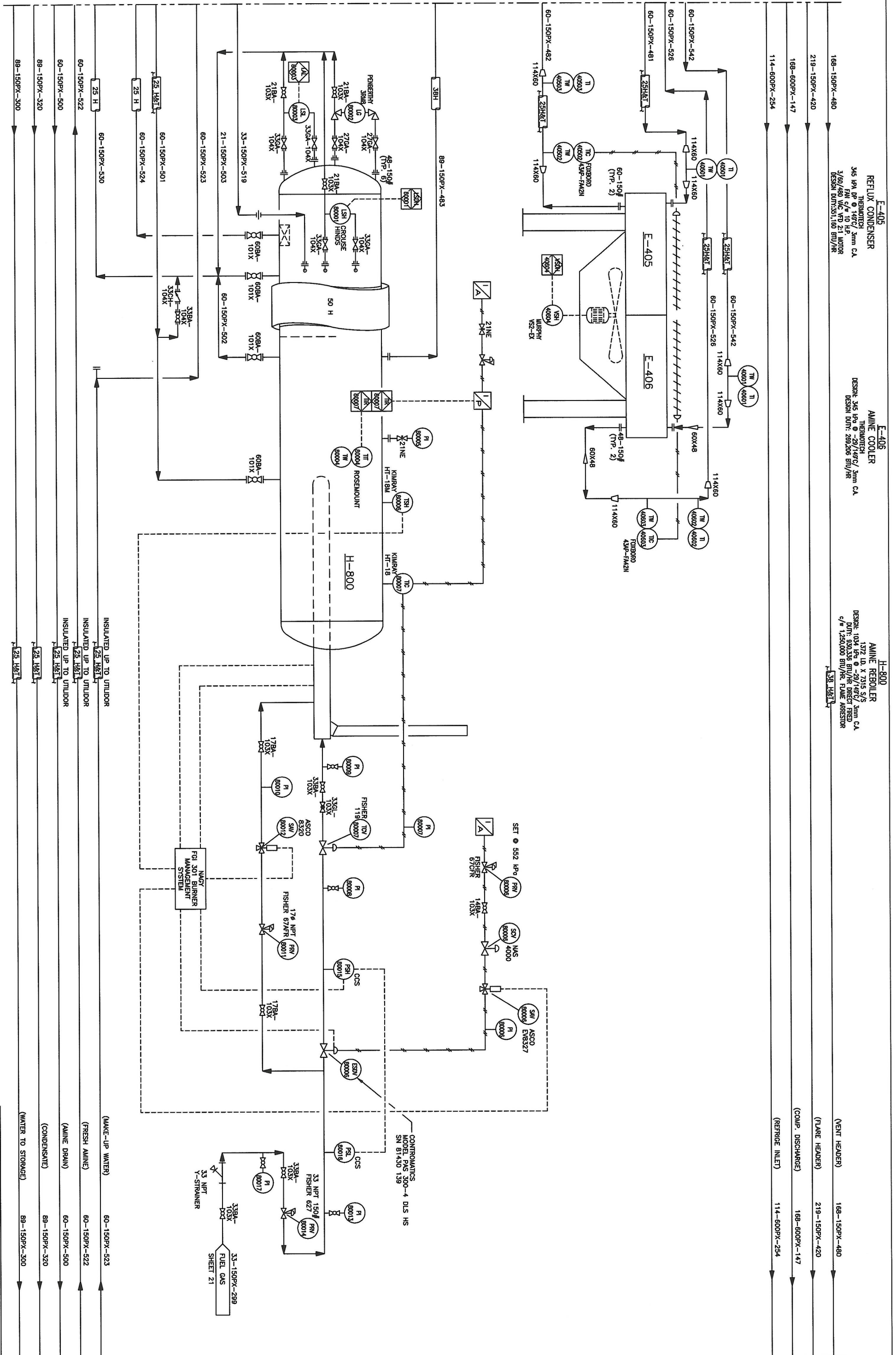
P-504
AMINE REFLEX PUMP
JENSEN-M2-30
3/4 HP 3/60/480 VAC
560 R.P.M. T.E.C. MOTOR
2.5 USGPM @ 276 Ppd

C-301
REFLEX ACCUMULATOR
405 O.D. X 1524 S/S
DESIGN: 345 Ppd @ -29/149°C
3mm CA

C-302
AMINE REGENERATOR
405 O.D. X 1032 S/S
DESIGN: 345 Ppd @ -29/149°C
3mm CA

P-505
WATER/AMINE MAKE-UP PUMP
JENSEN-M2-30
3/4 HP 3/60/480 VAC
560 R.P.M. T.E.C. MOTOR
15.2 USGPM @ 296 Ppd

SHEET NUMBER	DRAWING NUMBER	REV
18 OF 36	15-10-62-06-W5-3018	10



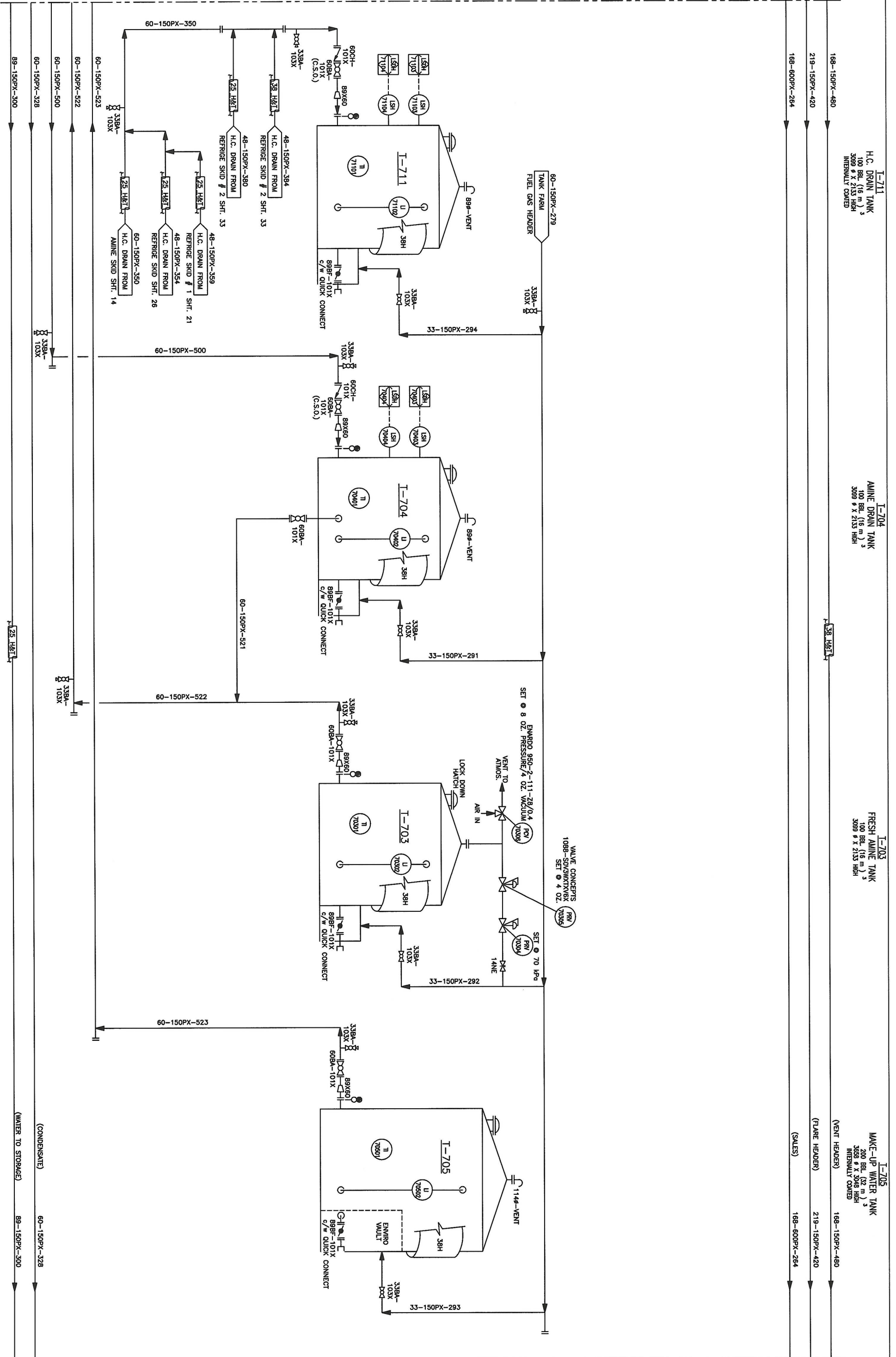
E-405
REFLUX CONDENSER
THERMOTOP
345 IPI, 10" I.D. / 10 H.P.
DESIGN DUTY: 351,160 BU/HR

E-406
AMINE COOLER
THERMOTOP
345 IPI, 10" I.D. / 10 H.P.
DESIGN DUTY: 269,206 BU/HR

H-800
AMINE REBOILER
1372 I.D. x 7315 S/S
DESIGN: 1034 IPI, 10" I.D. / 10 H.P.
DUTY: 930,336 BU/HR DIRECT FRIED
c/w 1,250,000 BU/HR FLAME ARRESTOR

(VENT HEADER) 168-150PX-480
(FLARE HEADER) 219-150PX-420
(COMP. DISCHARGE) 168-600PX-147
(REFRIG. INLET) 114-600PX-254

SHEET NUMBER	DRAWING NUMBER	REV
19 OF 36	15-10-62-06-W5-3019	10



I-711
H.C. DRAIN TANK
100 BBL. (16 m³)
3099 # X 2153 HIGH
INTERNALLY COATED

I-704
AMINE DRAIN TANK
100 BBL. (16 m³)
3099 # X 2153 HIGH
INTERNALLY COATED

I-703
FRESH AMINE TANK
100 BBL. (16 m³)
3099 # X 2153 HIGH
INTERNALLY COATED

I-705
MAKE-UP WATER TANK
200 BBL. (32 m³)
3559 # X 3046 HIGH
INTERNALLY COATED

SHEET NUMBER	DRAWING NUMBER
34 OF 36	15-10-62-06-W5-3034
REV	10