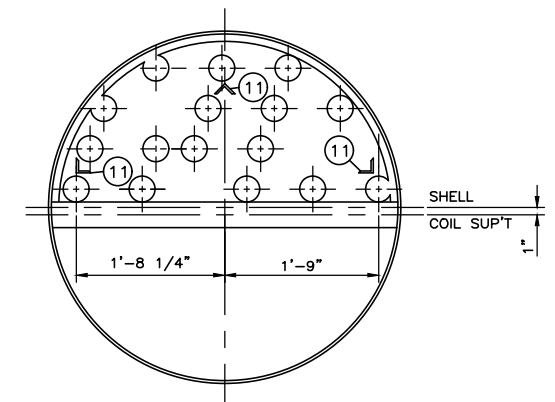
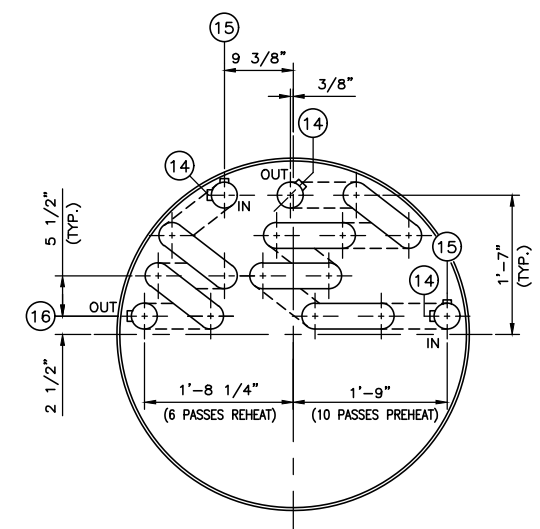
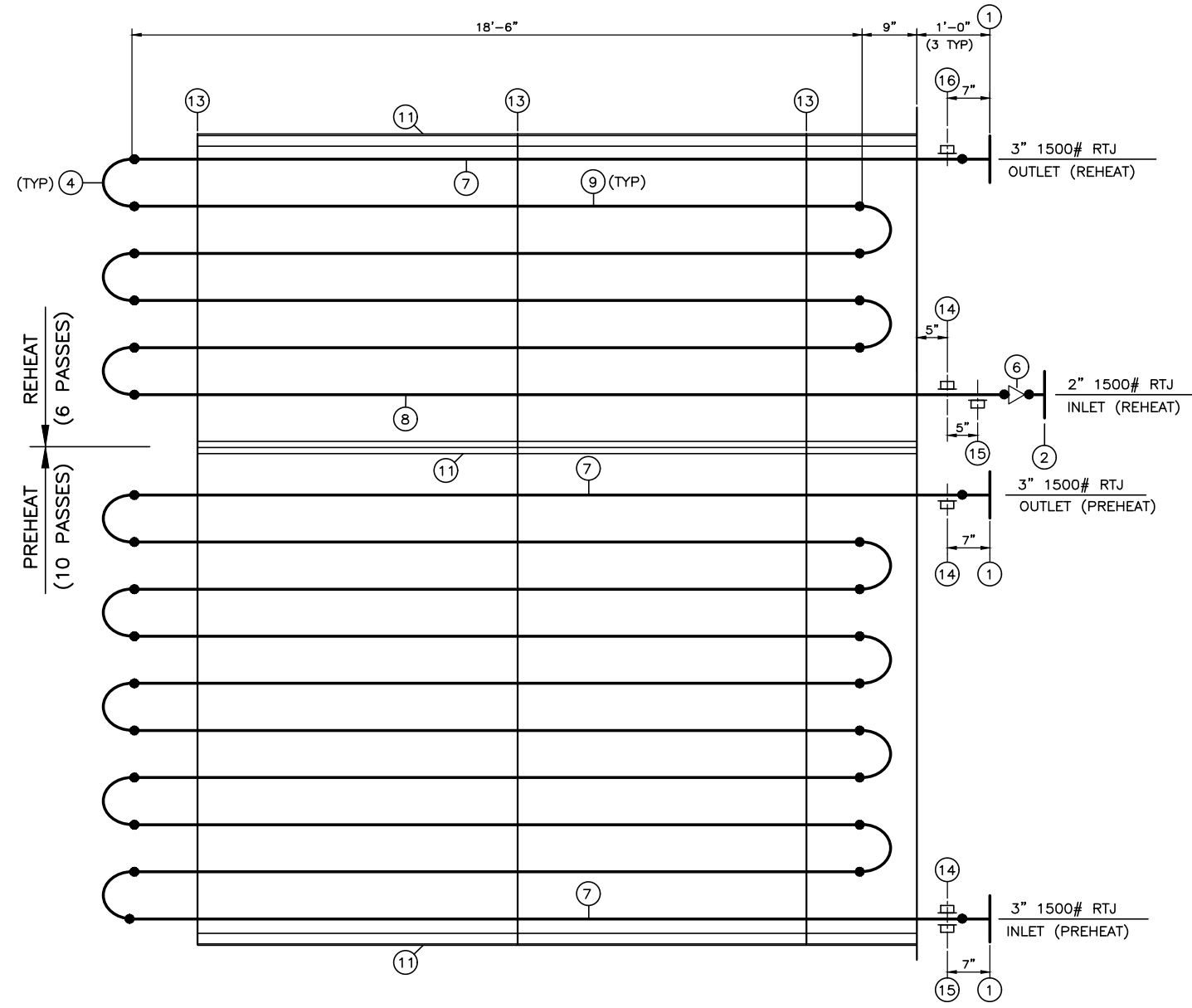


BILL OF MATERIALS			
ITEM NO.	QNTY REQ'D	DESCRIPTIONS	MAT'L SPEC.
1	3	FLG- 3" 1500# RTJWN SCH. 160	SA-105N
2	1	FLG- 2" 1500# RTJWN SCH. 160	SA-105N
3			
4	14	RETURN BEND- 3" SCH. 160 x 180 DEG. LR	SA-234-WPB
5			
6	1	CONC. REDUCER- 3" x 2" SCH. 160	SA-234-WPB
7	3 PC's	PIPE- 3" SCH. 160 SML's (19'-10" LG)	SA-106B
8	1 PC	PIPE- 3" SCH. 160 SML's (20'-8" LG)	SA-106B
9	12 PC's	PIPE- 3" SCH. 160 SML's (18'-6" LG)	SA-106B
10			
11	3 PC's	TUBE SHEET SUP'T.- 2" x 2" x 3/16" THK.	SA-44W
12			
13	3 PC's	TUBE SHEET- 3/8" THK. PLATE	SA-44W
14	3	TOL- 3/4" 6000# NPT	SA-105N
15	2	TOL- 1/2" 6000# NPT	SA-105N
16	1	TOL- 1" 6000# NPT	SA-105N



COIL LAYOUT

TUBE SHEET & COIL SUP'T DETAIL

GENERAL SPECIFICATIONS:

MATERIALS:

- PIPE
- RETURN BENDS
- CONC. RED.
- FLANGES
- HEATING SURFACE
- VOLUME

REHEAT (SCH. 160)

- SA-106B SML's
- SA-234-WPB
- SA-234-WPB
- SA-105N
- 108.43 FT<sup>2</sup>
- 4.44 FT<sup>3</sup>

PREHEAT (SCH. 160)

- SA-106B SML's
- SA-234-WPB
- SA-234-WPB
- SA-105N
- 180.45 FT<sup>2</sup>
- 7.39 FT<sup>3</sup>

DESIGN DATA:

DESIGN PRESSURE	3375 PSIG	3375 PSIG
DESIGN TEMPERATURE	-20/200 DEG. F	-20/200 DEG. F
JOINT EFFICIENCY	100%	100%
STRESS RELIEVED	N/R	N/R
RADIOGRAPHY	10% PER B31.3 "NORMAL"	10% PER B31.3 "NORMAL"
CORROSION ALLOWANCE	0.0625"	0.0625"
HYDROTEST PRESSURE	5062 PSIG	5062 PSIG
CRN #	R-5594.2	R-5594.2
REF. DRAWING #	C-2134-E	C-2134-E

DESIGN AND CONSTRUCTED IN ACCORDANCE WITH THE 2002 EDITION OF THE ASME CODE B31.3 FOR PROCESS PIPING SECTION PARA 304.1.2  
 RUSHTON WELDING PROCEDURE: R-1, R-3 & R-7  
 NOTE: IMPACT TEST NOT REQ'D PER FIG. 323.2.2A

( 2 ) REQ'D  
 TIME CARD  
 C-2200-E

DWG. NO.	REFERENCE DRAWINGS	REV	DESCRIPTION	DATE	BY

**RUSHTON**  
GAS & OIL EQUIPMENT (1991) LTD.

CUSTOMER: ENCANA RESOURCES  
 c/o TUNDRA ENGINEERING LTD.  
**HEATING COIL**  
 [(10) PASSES PREHEAT & (6) PASSE REHEAT]

LOCATION: STOCK

DATE: 05/10/00	DRN BY: J.J.	SCALE: NTS	CHKD BY:	APPRD BY:	DWG NO: C-2200-E	REV: 0
----------------	--------------	------------	----------	-----------	------------------	--------