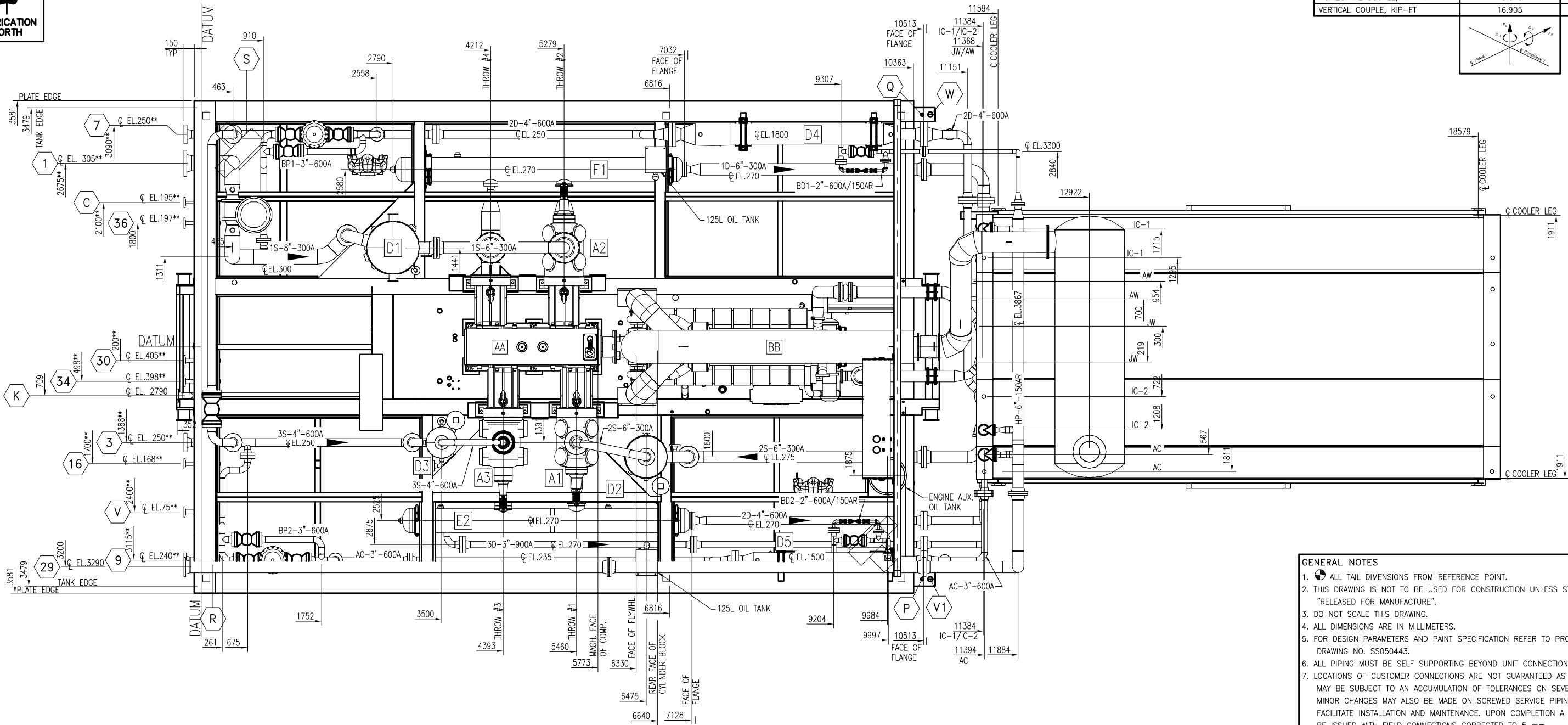
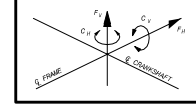


**ENERFLEX**

**DRAWINGS**



COMPRESSOR UNBALANCED FORCES @ 1200 RPM		
	PRIMARY	SECONDARY
HORIZONTAL FORCE, KIP	0.398	0.112
VERTICAL FORCE, KIP	0.00	0.00
HORIZONTAL COUPLE, KIP-FT	15.340	1.672
VERTICAL COUPLE, KIP-FT	16.905	0.00



PLAN VIEW

- GENERAL NOTES**
- ALL TAIL DIMENSIONS FROM REFERENCE POINT.
  - THIS DRAWING IS NOT TO BE USED FOR CONSTRUCTION UNLESS STAMPED "RELEASED FOR MANUFACTURE".
  - DO NOT SCALE THIS DRAWING.
  - ALL DIMENSIONS ARE IN MILLIMETERS.
  - FOR DESIGN PARAMETERS AND PAINT SPECIFICATION REFER TO PROJECT SCOPE SUMMARY DRAWING NO. SS050443.
  - ALL PIPING MUST BE SELF SUPPORTING BEYOND UNIT CONNECTIONS.
  - LOCATIONS OF CUSTOMER CONNECTIONS ARE NOT GUARANTEED AS THESE DIMENSIONS MAY BE SUBJECT TO AN ACCUMULATION OF TOLERANCES ON SEVERAL COMPONENTS. MINOR CHANGES MAY ALSO BE MADE ON SCREWED SERVICE PIPING IN ORDER TO FACILITATE INSTALLATION AND MAINTENANCE. UPON COMPLETION A FINAL DRAWING WILL BE ISSUED WITH FIELD CONNECTIONS CORRECTED TO 5 mm.
  - IT IS EFX'S RECOMMENDATION THAT ANY PRE-SPOOLING TO THIS COMPRESSOR PACKAGE CONTAIN FIELD WELDS AT ALL CUSTOMER CONNECTIONS.

SHIPPING WEIGHTS—MAIN SKID		KGS.	SHIPPING WEIGHTS W/ COOLER		KGS.
AA	COMPRESSOR: ARIEL JGK/4	4850	CC	COOLER: AIR-X-HEMPHILL 144ZF	8665
A1	9-1/8" "K" CYLINDER	1115	C1/C2	: JW & AW 14 PSIG @ 300°F	
A2	13-5/8" "K" CYLINDER	1615	C3	: IC-1 1292 PSIG @ 350°F	
A3	5" "K-DW" CYLINDER	960	C4	: IC-2 1650 PSIG @ 350°F	
BB	ENGINE: CATERPILLAR G3516TALE	8755	C5	: AC 1650 PSIG @ 350°F	
D1	: 30"O.D.x80"S/S	1235	MUFFLER		900
D2	: 24"O.D.x66"S/S	705	MUFFLER SUPPORT		690
D3	: 18"O.D.x64"S/S	615	PIPING		985
D4	: 12-3/4"O.D. x 144" LONG	775	SURGE TANK		140
D5	: 8-5/8"O.D. x 108" LONG	260	TOTAL WEIGHT COOLER (B)		11380
E1	: 14"O.D.x153.5"S/S	505	SHIP LOOSE WEIGHTS		KGS.
E2	: 14"O.D.x153.5"S/S	795	GG	CONTROL PANEL	200
SHIPPING DIMENSIONS—MAIN SKID			EXHAUST TUBING		300
LENGTH	11042 mm 36'-6"		SKID STEEL ONLY		12000
WIDTH	7162 mm 23'-6"		CONCRETE (7.3 cubic metre)		17050
HEIGHT	4126 mm 13'-7"		CRANE		3000
COOLER DIMENSIONS c/w MUFFLER			PIPING & MISC.		4600
LENGTH	7955 mm 26'-2"		TOTAL WEIGHT (A+B+C)		71430
WIDTH	4545 mm 15'-0"				
HEIGHT	5160 mm 17'-0"				
TOTAL WEIGHT MAIN SKID (A)		59035			

UNIT DIMENSIONS (APPROX.)		
OVERALL w/ALL EQUIP MOUNTED		
LENGTH	19260 mm 63'-3"	
WIDTH	7162 mm 23'-6"	
HEIGHT	5160 mm 17'-0"	
SHIPPING DIMENSIONS—MAIN SKID		
LENGTH	11042 mm 36'-6"	
WIDTH	7162 mm 23'-6"	
HEIGHT	4126 mm 13'-7"	
COOLER DIMENSIONS c/w MUFFLER		
LENGTH	7955 mm 26'-2"	
WIDTH	4545 mm 15'-0"	
HEIGHT	5160 mm 17'-0"	

CUSTOMER CONNECTIONS			OTHER CUSTOMER LOCAL CONNECTIONS & VENTS		
NO.	DESCRIPTION	SIZE	NO.	DESCRIPTION	SIZE
1	STAGE ONE INLET	8"-300#RF	C	COMPRESSOR/ENGINE OIL TANKS INLET	2"-150#RF
3	STAGE THREE INLET	4"-600#RF	K	START/FUEL GAS VENT	3"-150#RF
7	STAGE TWO DISCHARGE	4"-600#RF	P	WASTE OIL TANK VENT	2" NPT
9	FINAL DISCHARGE	3"-600#RF	Q	GLYCOL TANK VENT	1" PIPE
16	SCRUBBER DRAIN HEADER	2"-150#RF	R	COMPRESSOR LUBE OIL TANK VENT	3/4" TUBE
29	PSV VENT HEADER	6"-150#RF	S	ENGINE LUBE OIL TANK VENT	3/4" TUBE
30	FUEL GAS SUPPLY	2"-150#RF	V	WASTE OIL TANK PUMP OUT	2"-150#RF
34	START GAS SUPPLY	2"-150#RF	V1	WASTE OIL TANK PUMP OUT (LOCAL)	2" NPT
36	INSTRUMENT AIR	2"-150#RF	W	GLYCOL TANK PUMP-OUT	2" NPT

REV	DESCRIPTION	DATE	DRAWN BY	CHECKED BY
2	AS BUILT	06/06/14	MGN	MM
1	FOR CONSTRUCTION	06/03/08	DLL	

**EFX Compression**  
 4700 47 Street SE Calgary AB Canada T2B 3R1 Canada Tel. +1.403.236.6800 Fax +1.403.279.0367  
 www.enerflex.com

TITLE: **GENERAL ARRANGEMENT (K-602)**  
**ARIEL JGK/4, CATERPILLAR 3516TALE, AIR-X-HEMPHILL 144ZF**  
 COMPRESSOR PACKAGE

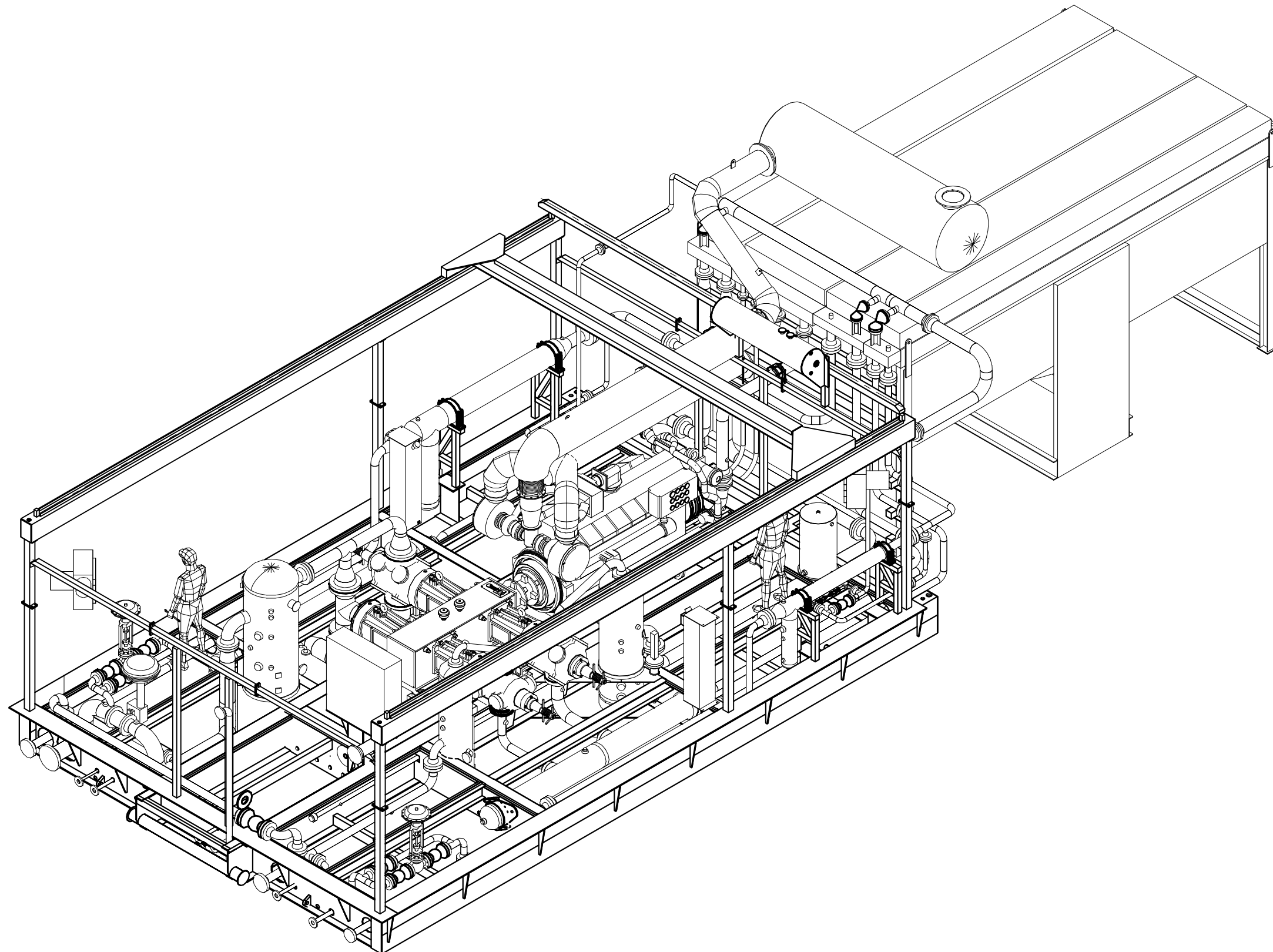
FOR: **FORT ENERGY CORPORATION**  
 (THUNDER GAS PLANT)

CONSULTANT: **BDR ENGINEERING LTD.** L.S.D.: 04-05-01-05 WSM  
 P.O.: **JOB No.: 051125**

DRWN BY: **DLL** DESIGN BY: **DRO** DATE: 05/04/08 DWG. No. OP#  
 DATE: 06/03/08 CHKD BY: DATE: GA-051125 P1/3 10  
 SCALE: 1:30 APPVD BY: DATE:

P:\Projects\custom\051125\Ortho\04051125.dwg Jun 15, 2006 8:32am





3D VIEW

REV	DESCRIPTION	DATE	DRAWN BY	CHECKED BY
2	AS BUILT	06/06/12	MGN	MM
1	FOR CONSTRUCTION	06/03/08	DLL	

**EFX Compression**

4700 47 Street SE Calgary AB Canada T2B 3R1 Canada Tel: +1.403.236.6800 Fax: +1.403.279.0367  
www.enerflex.com

TITLE: **3D VIEW (K-602)**  
**ARIEL JGK/4, CATERPILLAR 3516TALE, AIR-X-HEMPHILL 144ZF**  
COMPRESSOR PACKAGE

FOR: **FORT ENERGY CORPORATION**  
(THUNDER GAS PLANT)  
CONSULTANT: **BDR ENGINEERING LTD.** LSD: 04-05-01-05 WSM  
JOB No.: **051125**

DRWN BY: <b>DLL</b>	DESIGN BY: <b>DRO</b>	DATE: 05/11/01	DWG. No.	OP#
DATE: 06/03/08	CHKD BY: <b>JLE</b>	DATE:	<b>GA-051125 P3/3</b>	<b>10</b>
SCALE: 1:30	APPVD BY:	DATE:		

STAGE 1 ST. GLM CLYCLONE VORTEX CLUSTER  
 30" OD x 84" SS  
 650 PSIG MAMP @ 300°F  
 SN: PF-05-346-2  
 CRN: T2508.213  
 REG: A539511

D2 (V-107)  
 STAGE 2 SUCTION SCRUBBER  
 24" OD x 66" SS  
 655 PSIG MAMP @ 300°F  
 SN: 051125-02  
 CRN: RB989.231  
 REG: A544042

D3 (V-109)  
 STAGE 3 SUCTION SCRUBBER  
 18" OD x 64" SS  
 1315 PSIG MAMP @ 300°F  
 SN: 051125-04  
 CRN: T4136.231  
 REG: A544043

D4 (V-108)  
 STAGE 2 DISCHARGE SCRUBBER  
 12.75" OD x 62" SS  
 1415 PSIG MAMP @ 150°F  
 SN: 3787-3  
 CRN: R0230.2  
 REG: A546571

D5 (V-110)  
 FINAL DISCHARGE SCRUBBER  
 8" OD x 108" SS  
 1415 PSIG MAMP @ 150°F  
 SN: 37863-3  
 CRN: R327.21  
 REG: A546558

E1 (KB-601-A)  
 STAGE 1 DISCHARGE BOTTLE  
 14" OD x 153 1/2" SS  
 645 PSIG MAMP @ 350°F  
 SN: 051125-06  
 CRN: 2421.231  
 REG: A544044

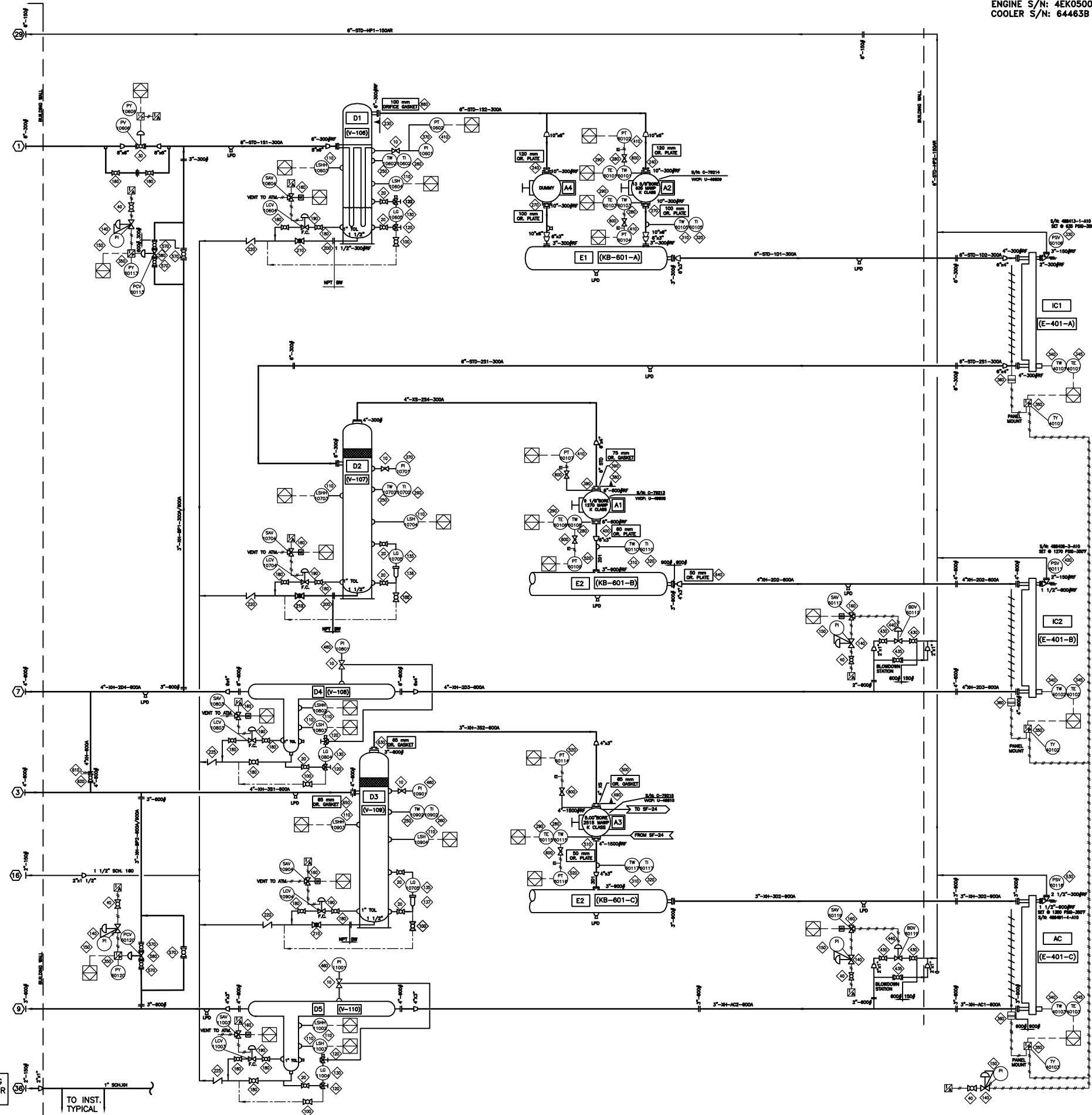
E2 (KB-601-B)/(KB-601-C)  
 STAGE 2/3 DISCHARGE BOTTLE  
 14" OD x 153 1/2" SS  
 1350 PSIG MAMP @ 350°F  
 SN: 051125-07  
 CRN: 2422.231  
 REG: A544045

FRAME S/N: F23199  
 ENGINE S/N: 4EK05007  
 COOLER S/N: 64463B

IC1 (E-401-A)  
 IC SECTION  
 645 PSIG MAMP @ 350°F  
 SN: 64463B.3  
 CRN: T2078.2  
 REG:

IC2 (E-401-B)  
 IC SECTION  
 1292 PSIG MAMP @ 350°F  
 SN: 64463B.4  
 CRN: T2077.2  
 REG:

AC (E-401-C)  
 AC SECTION  
 1935 PSIG MAMP @ 350°F  
 SN: 64463B.5  
 CRN: T2078.2  
 REG:



**BILL OF MATERIAL**

ITEM	QTY	EFX CODE	DESCRIPTION
10	5	108004	VALVE, NEEDLE, 3/4" MNPT X 1/2" FNPT, CS, [CENTURY, CM11L-3-MBT-CN-T-SP100]
20	8	124360	VALVE, BALL, 1/2" NPT, 3000# WOG, FP, CS C/W LOCKING HANDL [NUTRON, T3-F0530BL]
30	1	124408	VALVE, CONTROL, 6" 150/300# WCC FC NACE C/NDVCR020 [FISHER, 1051-V200-DVCR020]
40	5	102950	VALVE, BALL, 1/2" NPT, 2000# WOG, RP, 316SS, NACE C/W [NAWCO, C1-R02S20A]
100	5	102920	VALVE, BALL, 1/2" NPT, 2000# WOG, FP, CS C/W LOCKING HANDLE [NUTRON, T3-F0530BL]
110	10	101205	SWITCH, LEVEL, 2" NPT, 303SS BODY, CSA C/W FLOAT [SOR, 1510B-G2A-C-W9-ES-CS]
120	6	103693	VALVE, SET GAUGE, SWEET, 1/2" FNPT X 3/4" MNPT, CS, 3470# [DANIEL, 1S]
130	3	103659	GAUGE, LEVEL, CS WITH REFLEX FLAT GLASS, 1820# [DANIEL, 71RL]
134	1	124437	GAUGE, MAGNETIC LEVEL, 4" 300# RF [MAGTECH, LGRE]
135	1	124456	GAUGE, MAGNETIC LEVEL, 4" 600# RF [MAGNETIC, LGRE]
136	1	NPN-REQ	LEVEL GAUGE TANKS WITH 4" 300# FLANGE CONNECTION.
137	1	NPN-REQ	LEVEL GAUGE TANKS WITH 4" 600# FLANGE CONNECTION.
140	5	104872	REGULATOR, 1/4" NPT, ALUM., 0-125#, TAPPED (W/O P) [FISHER, 67CFR-601/SPEC]
150	5	107925	GAUGE, PRESSURE, CBM, 2" DRY, 0-60 PSI DUAL, 1/4" NPT [WIKA, 111.10]
160	7	NPN-REQ	ASCO SOLENOID, 3WAY, 24VDC, CSA, XP, EFB320G202-24, SUPPLIED BY CONTROL PANEL
180	12	112801	VALVE, BALL, 1" NPT, 3000# WOG, RP, CS C/W LOCKING HANDLE [NUTRON, T3-R10S30B]
190	5	104854	VALVE, CONTROL, 1" NPT, LOC, FLOW ADJ, FC, NACE, 0-35# [FISHER/FLOPRO, D2-X1]
200	2	106485	FLANGE, RF SCRD, 1-1/2" 300# SA105H
210	3	102866	VALVE, GLOBE, 1-1/2" NPT, 800# WOG, CS [NEWCO, 28T-FS2]
220	3	103072	VALVE, CHECK, PISTON, 1-1/2" NPT, 800# WOG, CS [NEWCO, 48T-FS2]
225	2	103069	VALVE, CHECK, PISTON, 1" NPT, 800# WOG, CS [NEWCO, 48T-FS2]
230	1	104280	STRAINER, CONE, 6" 300# CS, 40 MESH, 100% FLOW AREA
240	2	105728	***ORIFICE PLATE, TYPE 520, 316LSS, 1/8" THK, 10" 300#
250	3	117067	THERMOWELL, 316SS, 1/2" X 3/4" NPTM X 6" LONG, U=4 [WIKA, B0-34-4.5-6-R/RL-500]
260	3	118225	GAUGE, TEMP, 5" DIA, LF, 8" STEM, 0-250 DEG F DUAL ADJUSTABLE [TRENID, SFS2060]
270	2	106728	***ORIFICE PLATE, TYPE 520, 316LSS, 1/8" THK, 10" 300#
280	4	114198C	TWELL, 316LSS, 1/8" X 1/2" MNPT, 1/4" FNPT PRESSURE PORT, U=2.625", 1650 MAMP
290	4	117910B	T-COUPLE, K TYPE, 316SS, 7.5" [THERMOKINETICS, K125-316S0007.5882X000-0048-99]
310	3	107977	THERMOWELL, 304SS, 1/2" X 3/4" NPTM X 4" LONG, U=2.5", .260" BORE, STEPPED
320	3	116705	GAUGE, TEMP, 5" DIA, LF, 2-1/2" STEM, 50-500DEG F DUAL ADJUSTABLE [TRENID, SFS2025]
330	1	113155	VALVE, PSV, 2" 300# RF X 3" 150# RF, .785 OR, NACE L [FARRIS, 26FA12-120/00]
340	3	123380	THERMOCOUPLE, K TYPE 316SS, 1/4" [THERMOKINETICS, K250-316-S-010.0-B-82X-YM4-72]
345	3	124346	THERMOWELL, 304SS, 1/2" X 3/4" NPTM X 9" LONG, U=7.5", .260" BORE, STEPPED
350	5	NPN-REQ	TRANSDUCER, I/P, 4-20MA INPUT, 6-30PSIG OUTPUT, XP, [PANEL SUPPLIED]
360	3	100315	>>ACTUATOR, 6-30 PSIG, SUPPLIED WITH COOLER [GARZO, 501-12]
370	2	107929	GAUGE, PRESSURE, BM, 4" LF, 0-600 PSI DUAL, 1/2" NPT [WIKA, 233.54]
380	1	104282	STRAINER, CONE, 6" 600# CS, 40 MESH, 100% FLOW AREA
390	1	113543	***ORIFICE GASKET, TYPE CGL, 316LSS, 1/8" THK, 6" 600# C/W STAMPED HANDLE
400	1	105504	***ORIFICE PLATE, TYPE 520, 316LSS, 1/8" THK, 6" 600#
410	4	114016	TRANSMITTER, GAUGE PRESSURE, 0-800 PSIG, CSA [ROSEMOUNT, 2088G3S22A1B4C6]
420	1	114048	VALVE, PSV, 1-1/2" 600# RF X 2" 150# RF, .307 OR, NACE L [FARRIS, 26FA13-120/00]
430	4	112801	VALVE, BALL, 1" NPT, 3000# WOG, RP, CS C/W LOCKING HANDLE [NUTRON, T3-R10S30B]
435	2	127179	VALVE, BALL, 2" 600# RF, RP, CS, NACE, BOLTED, FRESAFE [NAWCO, B2-R30R08S2]
440	2	122843	VALVE, CONTROL, 1" NPT, LOC, 1/2" OR, FO, 0-33 PSI, [FISHER, D4]
460	3	107884	GAUGE, PRESSURE, BM, 4" LF, 0-1000 PSI DUAL, 1/2" NPT [WIKA, 233.54]
490	1	124439	STRAINER, CONE, 4" 1500# CS, 40 MESH, 100% FLOW AREA
500	1	113534	***ORIFICE GASKET, TYPE CGL, 316LSS, 1/8" THK, 4" 1500# RF C/W STAMPED HANDLE
510	1	105383	***ORIFICE PLATE, TYPE 520, 316LSS, 1/8" THK, 4" 1500# RF
520	3	114015	TRANSMITTER, GAUGE PRESSURE, 0-4000 PSIG, NACE, CSA [ROSEMOUNT, 2088G4S22A1B4C6]
530	1	116807	VALVE, PSV, 1-1/2" 900# RF X 2-1/2" 300# RF, .307 OR, NACE L [FARRIS, 26FA14-120/00]
570	6	127180	VALVE, BALL, 3" 600# RF, RP, CS, NACE, BOLTED, FRESAFE [NAWCO, B2-R30R08S2]
580	2	123562	VALVE, CONTROL, 3" 600# RF, WCC, 3 7/16, FO, 6-30 PSI [FISHER, 657-ET-45]
600	5	102808	VALVE, NEEDLE, 1/4" TUBE, 316SS [WHITEY, SS-1V54]
610	1	109128	SPECTACLE BLIND, 4" 600# RF, SA516-70N, 5/8" THK
620	1	102977	VALVE, BALL, 4" 600# RF, RP, CS, BOLTED BODY C/W HANDLE [NUTRON, B3-R40R06B]
630	1	113527	***ORIFICE GASKET, TYPE CGL, 316LSS, 1/8" THK, 3" 3/4/600# C/W STAMPED HANDLE
640	1	105286	***ORIFICE PLATE, TYPE 520, 316LSS, 1/8" THK, 3" 900# RF
650	5	113532	***ORIFICE GASKET, TYPE CGL, 316LSS, 1/8" THK, 4" 600# RF C/W STAMPED HANDLE
660	1	113785	***ORIFICE GASKET, TYPE CGL, 316LSS, 1/8" THK, 6" 300# RF C/W STAMPED HANDLE

REV	DESCRIPTION	DATE	DRAWN BY	CHECKED BY
2	AS BUILT	06/06/08	MGN	JLE
1	ISSUE FOR CONSTRUCTION	06/03/09	DLL/MGN	JLE
0	ISSUE FOR APPROVAL	05/04/09	MGN	JLE

**ENERFLEX Compression**  
 EVERFLEX

4700 47 Street SE Calgary AB Canada T2B 3R1 Canada Tel. +1.403.236.6800 Fax +1.403.279.0367  
 www.enerflex.com

TITLE: PROCESS & INSTRUMENTATION DIAGRAM  
 ARIEL JGK/4, CAT.3516 TALE, AIR-X-144ZF

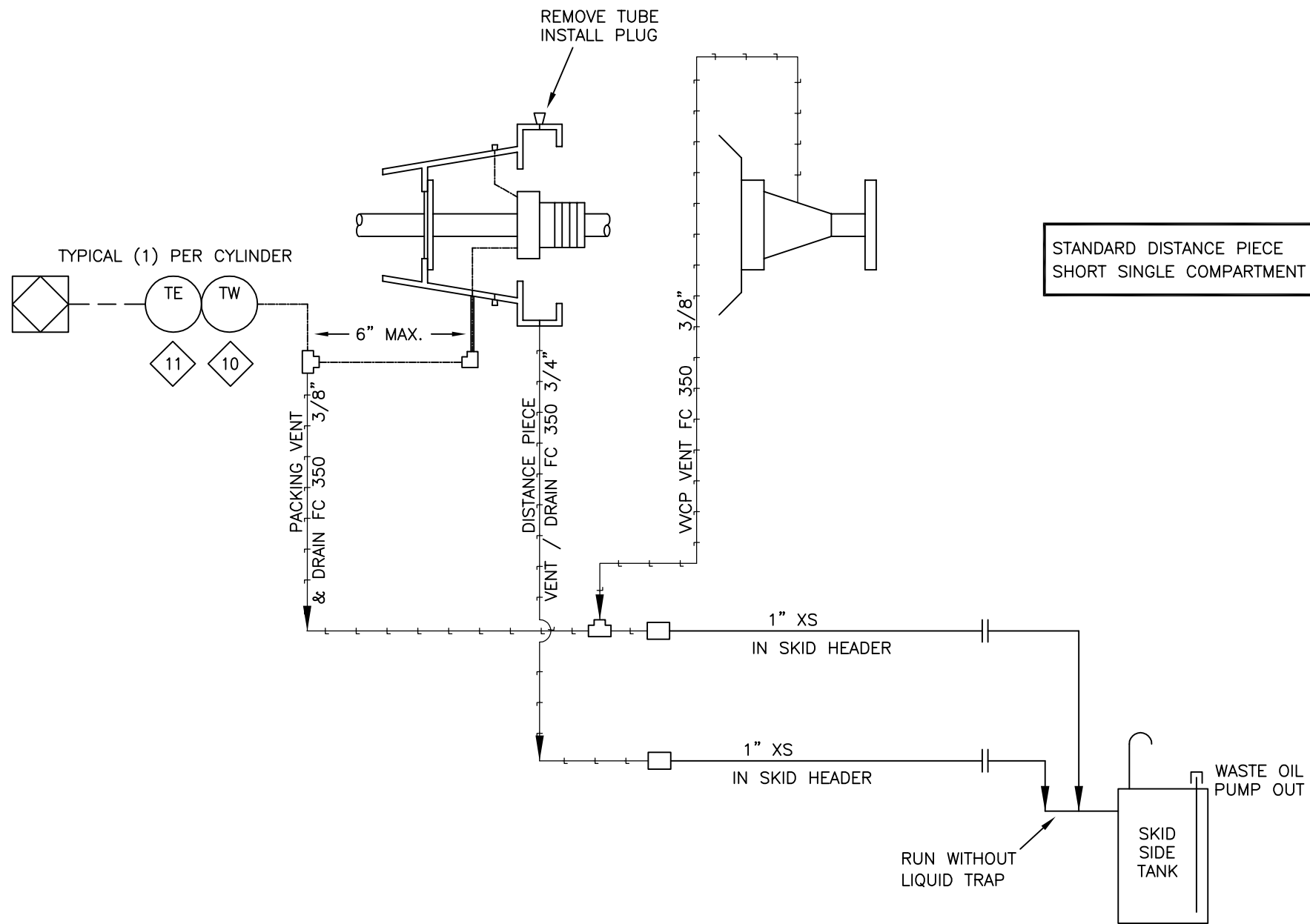
FOR: FORT ENERGY CORPORATION  
 THUNDER GAS PLANT (K-602.)

CONSULTANT: BDR ENGINEERING  
 P.O.: LSD: 04-05-61-05 W5M  
 JOB No.: 051125

DRWN BY: MGN	DESIGN BY: JLE	DATE: 06/03/08	DWG. No. PF-051125-50	OP# 50
DATE: 06/03/09	CHKD BY:	DATE:		
SCALE: NTS	APPRD BY:	DATE:		

© ENERFLEX SYSTEMS LTD REPRODUCTION OF ANY PORTION OF THESE MATERIALS WITHOUT THE EXPRESS WRITTEN CONSENT OF ENERFLEX SYSTEMS LTD IS STRICTLY PROHIBITED.





MATERIAL LIST			
ITEM	QTY	PART #	DESCRIPTION
10	3	116701	THERMOWELL, 316SS, 1/2" X 1/2" NPTM X 2-1/2" LONG, U=1", .260" BORE, STEPPED
11	3	114007	THERMOCOUPLE, K TYPE, 316SS, [THERMOKINETICS, K125-316S-004.0B-82SYT2]

- NOTE**
1. PACKING FAILURE SENSOR(S), SHOULD BE SET TO 200°F SHUTDOWN FOR NEW PACKING. AFTER PACKING IS BROKEN IN, SHUTDOWN TEMPERATURE IS TO BE ADJUSTED TO 150% (<OR 200°F MAX) OF NORMAL OPERATING TEMPERATURE. (ONE PER CYLINDER)
  2. OIL SEAL POT AND VACUUM PUMP ASS'Y REQUIRED WHEN CUSTOMER CONNECTING TO FLARE SYSTEM

REV	DESCRIPTION	DATE	DRAWN BY	CHECKED BY
2	AS BUILT	06/06/08	MGN	JLE
1	ISSUED FOR CONSTRUCTION	06/03/10	MGN	JLE

**EFX Compression**  
ENERFLEX

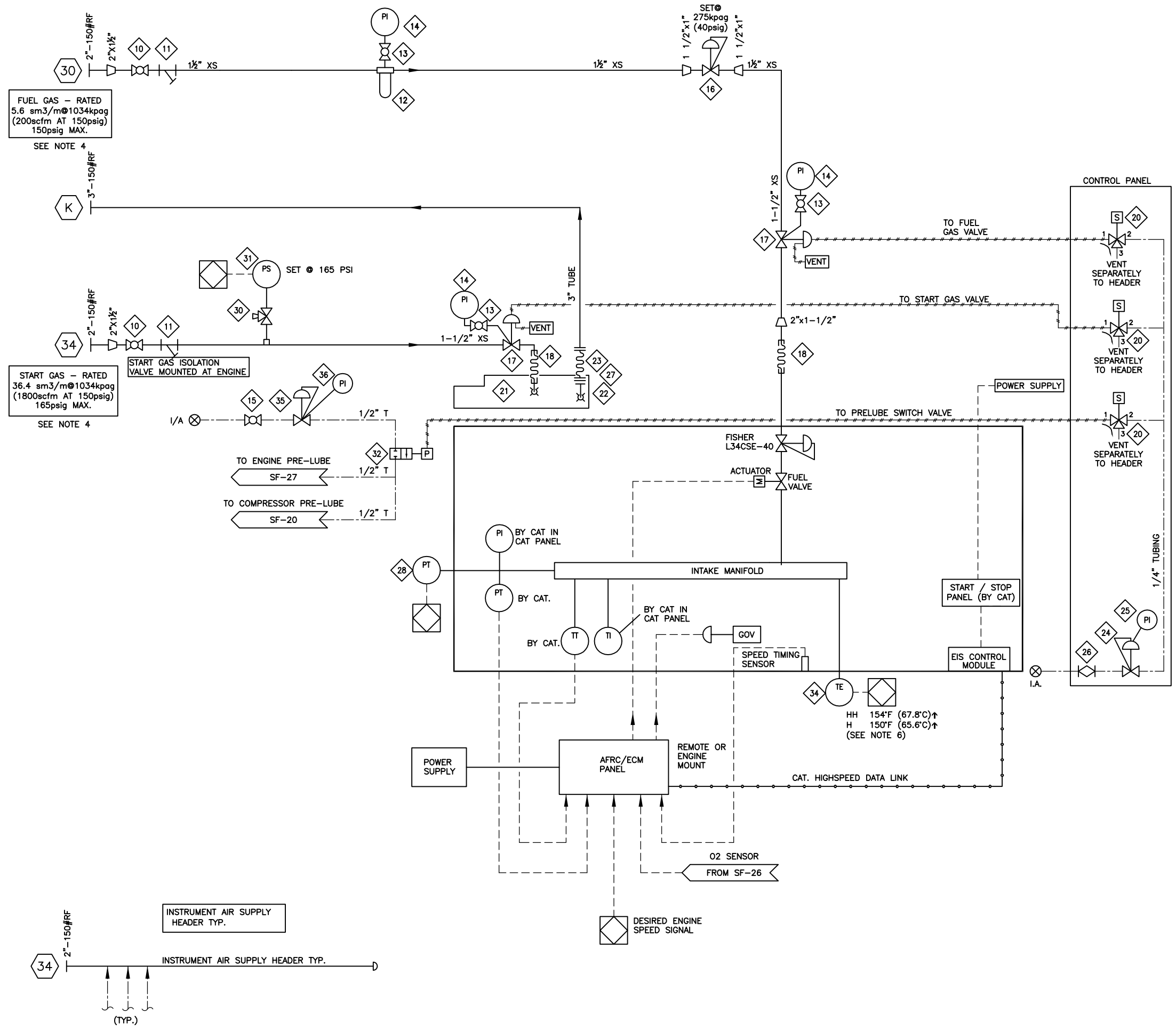
4700 47 Street SE Calgary AB Canada T2B 3R1 Canada Tel. +1.403.236.6800 Fax +1.403.279.0367  
www.enerflex.com

TITLE: SERVICE FLOW  
PACKING VENT & DRAIN SYSTEM 0<H2S<100 PPM

FOR: FORT ENERGY CORPORATION  
THUNDER GAS PLANT (K-602)

CONSULTANT: BDR ENGINEERING  
P.O.: LSD: 04-05-61-05 W5M  
JOB No.: 051125

DRWN BY: MGN	DESIGN BY: JLE	DATE: 06/03/06	DWG. No.	OP#
DATE: 06/03/10	CHKD BY:	DATE:	SF-051125-21	21
SCALE: NTS	APPVD BY:	DATE:		



BILL OF MATERIAL				
ITEM	QTY	EFX CODE	DESCRIPTION	
10	2	102933	VALVE, BALL, 1-1/2" NPT, 2000# WOG, RP, 316SS, NACE C/W [ NAVCO C1-R15S20A ]	
11	2	102830	STRAINER, Y, 1-1/2" NPT, 1480 PSIG MAWP, CS, 1/32" SS SCREEN [ALTA, YS-600]	
12	1	115569	FILTER, 1-1/2" FNPT C/W 200-35-DX ELEMENT &SS PLUG [PARKER, C8312N-0A0-DX-S453]	
13	3	102950	VALVE, BALL, 1/4" NPT, 2000# WOG, RP, 316SS NACE, C/W [ NAVCO C1-R02520A ]	
14	3	107911	GAUGE, PRESSURE, BM, 2-1/2" LF, 0-300 PSI DUAL, 1/4" NPT [WIKA, 233.53]	
15	1	102949	VALVE, BALL, 1/2" NPT, 2000# WOG, RP, 316SS, NACE C/W [ NAVCO C1-R05S20A ]	
16	1	104863	REGULATOR, 1" NPT, DI, 3/8" OR, 35-80# SPR RING, SET @ 75 PSIG [FISHER, 627-494]	
17	2	103762	VALVE, RELAY, GAS, 1-1/2" NPT, MAWP 450 PSI [TDI, RLVA25683001201]	
18	2	104695	HOSE, BRAIDED STEEL, 2" MNPT X MALE NPT UNION X 12" LONG	
20	3	NPN-REQ	VALVE, SOLENOID, 3-WAY, 24VDC, CSA, XP, EPNC 115PSI, NC SS [ASCO, EF8320G202-24]	
			BY PANEL SUPPLIER	
21	1	103758	STARTER, AIR/GAS, STD 150-60 PSIG, INERTIA DUAL [TDI TURBOSTART, T112-60001-B1R]	
22	1	103741	ELBOW, STARTER EXHAUST, 90 DEG, SR, 3" MNPT, CS [TDI, T100-27900]	
23	1	120174	HOSE, STEEL BRAIDED, 3"- #150 RF x 3"- #150 RF, 10" LONG	
24	1	NPN-REQ	REGULATOR, 1/4" NPT, ALUM., 0-125#, TAPPED (W/O PI) [FISHER, 67CFR-601/SPEC]	
			BY PANEL SUPPLIER	
25	1	NPN-REQ	GAUGE, PRESSURE, CBM, 2" DRY, 0-60 PSI DUAL, 1/4" NPT [WIKA, 111.10]	
			BY PANEL SUPPLIER	
26	1	NPN-REQ	VALVE, PLUG, 1/4" TUBE, 316SS [ NUPRO SS-4P4T ] BY PANEL SUPPLIER	
27	1	106497	FLANGE, RF, SCREWED, 3"- #150, SA-105N	
28	1	107994	TRANSMITTER, PRESSURE, -30 HG/30 PSIG, SWEET, 1/4" [WIKA 892.13.500]	
30	1	116812	VALVE, BALL, 3-WAY, 1/4" TUBE, 316SS, .125" ORIFICE [WHITEY, SS-42XS4]	
31	1	116977	SWITCH, PRESSURE, 500 MWP, 30-375R, 10-355F, XP, ALUM. [CCS, 6900GE18]	
32	1	116700	VALVE, SWITCHING, 3-WAY, 1/2" NPT, 40-100 PSI [FISHER, 164A-81]	
34	1	123380	THERMOCOUPLE, K TYPE 316SS, 1/4" [THERMOKINETICS, K250-316-S-010.0-B-82X-YM4-72]	
35	1	104892	X-REGULATOR, 1/4" NPT, ALUM., 0-35#, TAPPED (W/O PI) [FISHER, 67CFR-362/SPEC]	
36	1	107894	GAUGE, PRESSURE, CBM, 2" DRY, 0-200 PSI DUAL, 1/4" NPT [WIKA, 111.10]	

- NOTES:
1. VENT START AND FUEL TO SEPARATE VENT HEADER.
  2. ALL SERVICE LINES OPERATING ABOVE 103KPA(15 PSI) MUST BE PRESSURE TESTED PER THE PROCEDURE IN THE QC MANUAL.
  3. INSTRUMENT REGULATORS C/W VENTED BONNETS ARE NOT REQUIRED ON INSTRUMENT AIR SERVICE.
  4. SWEET CLEAN DRY GAS REQUIRED FOR BOTH FUEL AND START GAS.

REV	DESCRIPTION	DATE	DRAWN BY	CHECKED BY
2	AS BUILT	06/08/09	MGN	JLE
1	ISSUE FOR CONSTRUCTION	06/03/10	MGN	JLE

**EFX Compression**  
ENERFLEX

4700 47 Street SE Calgary AB Canada T2B 3R1 Canada Tel. +1.403.236.6800 Fax +1.403.279.0367  
www.enerflex.com

TITLE: SERVICE FLOW  
FUEL AND START GAS SYSTEM  
CATERPILLAR G3516-TALE

FOR: FORT ENERGY CORPORATION  
THUNDER GAS PLANT (K-602)

CONSULTANT: BDR ENGINEERING  
LSD: 04-05-61-05 W5M  
P.O.: JOB No.: 051125

DRWN BY: MGN	DESIGN BY: JLE	DATE: 06/03/06	DWG. No.	OP#
DATE: 06/03/10	CHKD BY:	DATE:	SF-051125-22	22
SCALE: NTS	APPVD BY:	DATE:		

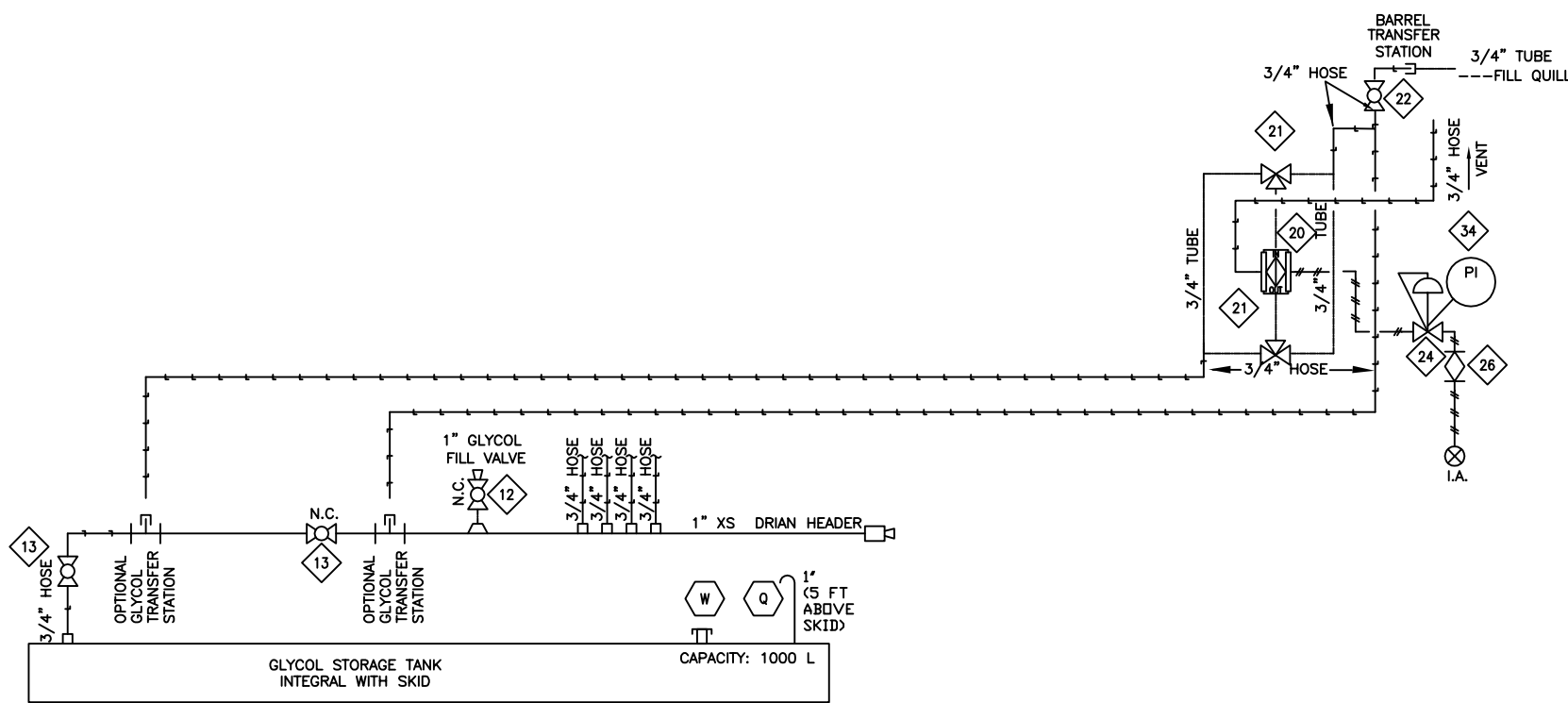
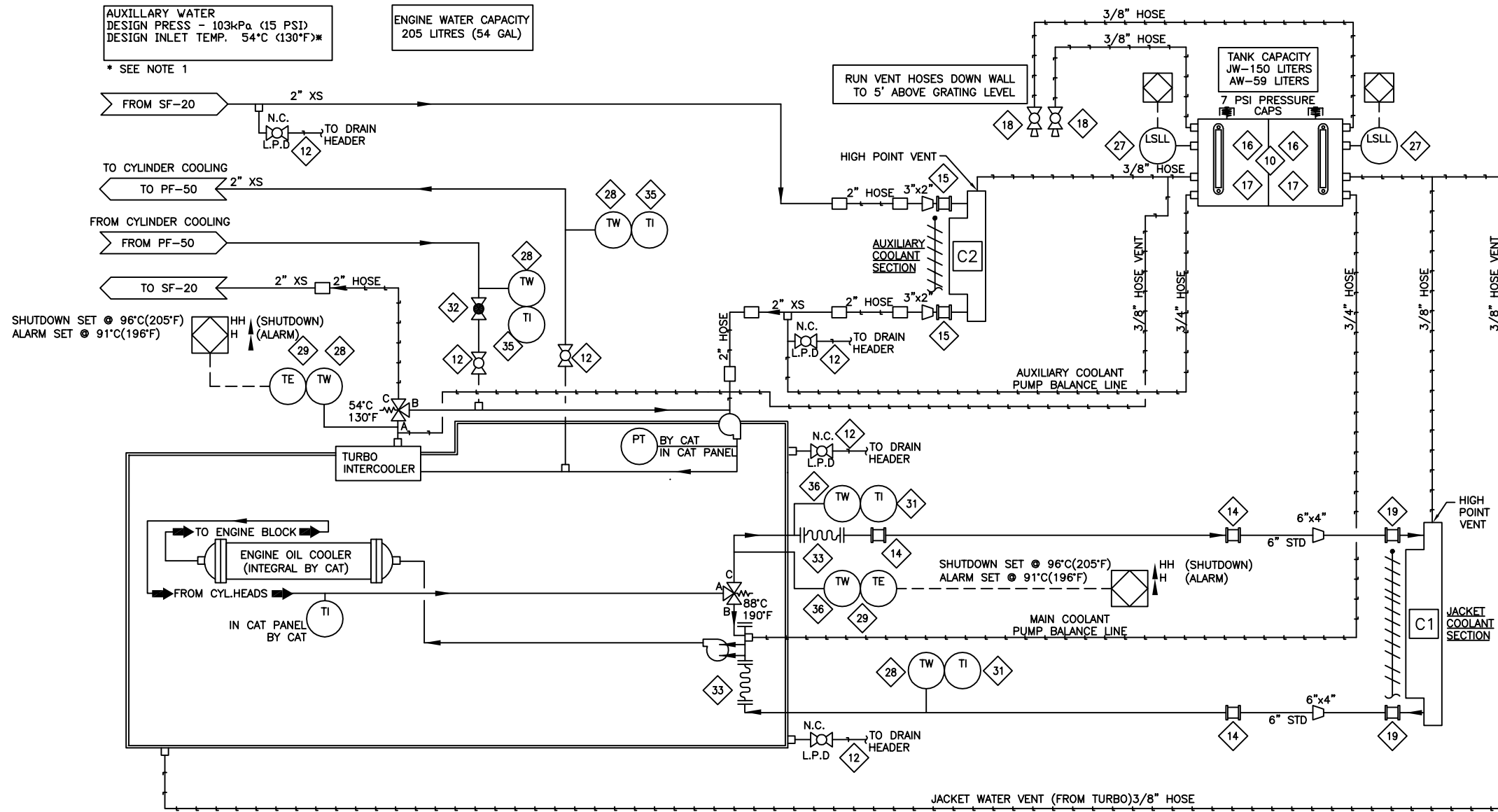


ENGINE JACKET WATER  
 DESIGN PRESS - 103 kPa (15 PSI)  
 DESIGN OUTLET TEMP. 99°C (210°F)

AUXILIARY WATER  
 DESIGN PRESS - 103 kPa (15 PSI)  
 DESIGN INLET TEMP. 54°C (130°F)

ENGINE WATER CAPACITY  
 205 LITRES (54 GAL)

\* SEE NOTE 1



**BILL OF MATERIAL**

ITEM	QTY	PART #	DESCRIPTION
10	1	109093	?-TANK, SURGE, 2-COMPARTMENT, 150/59L CAPACITY FOR L5108, L5790, L7042GSI/GL
12	9	102926	VALVE, BALL, 3/4" NPT, 2000# WDG, RP, CS, NACE C/W LOCKING (NUTRON, T3-R07S20S)
13	2	102928	VALVE, BALL, 1" NPT, 2000# WDG, RP, CS, NACE C/W LOCKING (NUTRON, T3-R10S20SL)
14	3	101238	COUPLING, STRAIGHT, 6", STYLE 38 (DRESSER, 0038-0057-011)
15	2	101235	COUPLING, STRAIGHT, 3", STYLE 38 (DRESSER, 0038-0187-011)
16	2	103698	VALVE, SET GAUGE, SWEET, 5/8"OD TUBULAR x 1/2"NPT, CS, 500# ( DANIEL ITC )
17	2	101257	5/8"OD TUBULAR GAUGE GLASS ( CUT TO SUIT )
18	2	102904	VALVE, BALL, 3/8" NPT, 2000# WDG, FP, CS C/W LOCKING HANDLE (NUTRON, T3-F03S20B)
19	2	101236	COUPLING, STRAIGHT, 4", STYLE 38 (DRESSER, 0038-0036-011)
20	1	121741	PUMP, DIAPHRAGM, 1/2" NPT, ALUM, SWEET GAS, CSA (WARREN RUPP, G05B1ABTXNSX00)
21	2	121379	VALVE, BALL, 3-WAY, 3/4" NPT, FULL SS, 800 PSI C/W LOCKING HANDLE (MAS, G4)
22	2	102973	VALVE, BALL, 3/4" NPT, 2000# WDG, RP, 316SS, NACE C/W (NAVCO, C1-R07S20A)
24	1	104872	REGULATOR, 1/4" NPT, ALUM, 0-125#, TAPPED (W/O PD) (FISHER, 67CFR-601/SPEC)
26	1	102801	VALVE, PLUG, 3/8" TUBE, 316SS (NUPRO, SS-6P4T)
27	2	104507	SWITCH, LEVEL, 1-1/2" NPT, XP, CSA, 316SS BODY, SQR C/W SS (MURPHY, L1100SSSF)
28	4	115504	THERMOWELL, 316SS, BTB STYLE 5B, 1/2" X 3/4" NPTM, U=2.5", .203" BORE
29	2	117910B	T-COUPLE, K TYPE, 316SS, 7.5" (THERMOKINETICS, K125-316S0007.5B82X000-0048-99)
31	4	107940	GAUGE, TEMP, 3" DIAL, 4" STEM, 0-250 DEG F DUAL, 1/2" NPT (TREND, 33040)
32	1	109984	VALVE, GLOBE, 3/4" NPT, 800# WDG, CS (NAVCO, GL-R07S08A8)
33	2	121261	EXPANSION, JOINT, RUBBER, 6" X 150# RF (RAILMEX, R-711)
34	1	107894	GAUGE, PRESSURE, CBM, 2" DRY, 0-200 PSI DUAL, 1/4" NPT (WIKA, 111.10)
35	2	107942	GAUGE, TEMP, 3" DIAL LF, 2-1/2" STEM, 0-250 DEG F DUAL, 1/2"NPT (TREND, SF30025)
36	2	118735	T'WELL, 316SS, 1/2" X 3/4" NPTM X 5.75' LG, U=4", .260" BORE (TEXAS THERMOWELL)

**NOTES:**

1. CONFIRM OPERATING TEMPERATURES.

ENGINE WATER CAPACITY  
 205 LITRES (54 GAL)

REV	DESCRIPTION	DATE	DRAWN BY	CHECKED BY
2	AS BUILT	06/06/09	MGN	MM
1	ISSUED FOR CONSTRUCTION	06/03/10	MGN	JLE

**ENERFLEX**

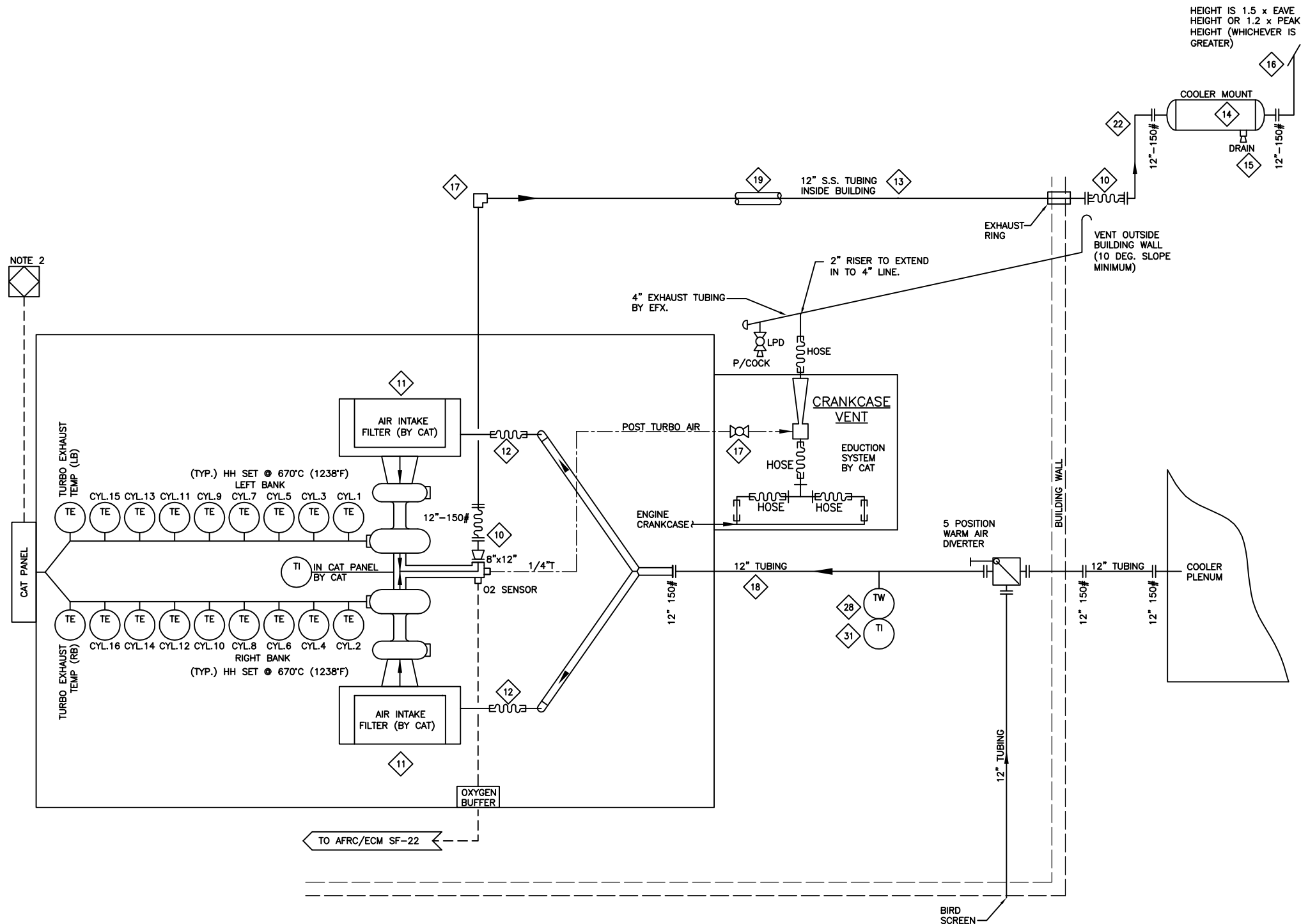
4700 47 Street SE Calgary AB Canada T2B 3R1 Canada Tel. +1.403.236.6800 Fax +1.403.279.0367  
 www.enerflex.com

TITLE: SERVICE FLOW  
 ENGINE GLYCOL SYSTEM  
 ARIEL JGK/4, CAT. G3516TALE, AXC 144ZF

FOR: FORT ENERGY CORPORATION  
 THUNDER GAS PLANT (K-602)

CONSULTANT: BDR ENGINEERING  
 P.O.: L.S.D: 04-05-61-05 W5M  
 JOB No.: 051125

DRWN BY: MGN	DESIGN BY: JLE	DATE: 06/03/06	DWG. No.	OP#
DATE: 06/03/10	CHKD BY:	DATE:	SF-051125-24	24
SCALE: NTS	APPVD BY:	DATE:		



NOTE 2

HEIGHT IS 1.5 x EAVE HEIGHT OR 1.2 x PEAK HEIGHT (WHICHEVER IS GREATER)

**BILL OF MATERIAL**

ITEM	QTY	EFX CODE	DESCRIPTION
10	2	104682	"EXPANSION BELLOW, 12" 150# INTERNAL FLANGES C/W 2" COLLAR & SS LINER X 12" LONG"
11	2	NPN-REQ	AIR FILTER BOX SUPPLIED BY CAT
12	2	112314	"HOSE, STRAIGHT, RUBBER, 12" ID [GOODYEAR, WD75-192]"
13	30	104562	EXHAUST TUBING, MECHANICAL, 12" OD X 10 GAUGE (.134" WALL), ERW"
14	1	NPN-REQ	"JE12-SISO - REACTIVE, SUPER HOSPITAL PLUS (40-55dBA)12.0", SIDE IN/SIDE OUT (SILEX)
15	1	NPN-REQ	MUFFLER SUPPORT BUILT BY ENERFLEX
17	1	102950	"VALVE, BALL, 1/4" NPT, 2000# WOG, RP, 316SS, NACE C/W [NAVCO, C1-R02S20A]"
19	20	122061	"***INSULATION, FOR 12" 150# SS EXHAUST LINE, NO AIR SPACE, CUSTOM"
20	1	NPN-REQ	"EXPANSION BELLOW, 8"-150#, SUPPLIED BY CAT"
28	1	115504	THERMOWELL, 316SS, BTB STYLE 5B, 1/2" X 3/4" NPTM, U=2.5", .203" BORE
31	1	107940	GAUGE, TEMP, 3" DIAL, 4" STEM, 0-250 DEG.F DUAL, 1/2" NPT [TREND, 33040]
42	2	112185	"ELBOW, EXHAUST, 90 DEG, SR, 12" OD, 10 GAUGE, CS"
			.....
			Exhaust (B25)
			DATE-TIME EXPORTED: 2005-05-18-13.34

**NOTE:**  
 1. MAXIMUM PERMISSIBLE BACK PRESSURE (1775 BHP @1000 RPM IS 12".00 INCHES H2O).  
 2. COMMUNICATION HARNESS FROM CAT. PANEL TO EFX CUSTOMER PANEL REQUIRED.

REV	DESCRIPTION	DATE	DRAWN BY	CHECKED BY
2	AS BUILT	06/06/09	MGN	MM
1	ISSUED FOR CONSTRUCTION	06/03/10	MGN	JLE

**EFX Compression**  
ENERFLEX

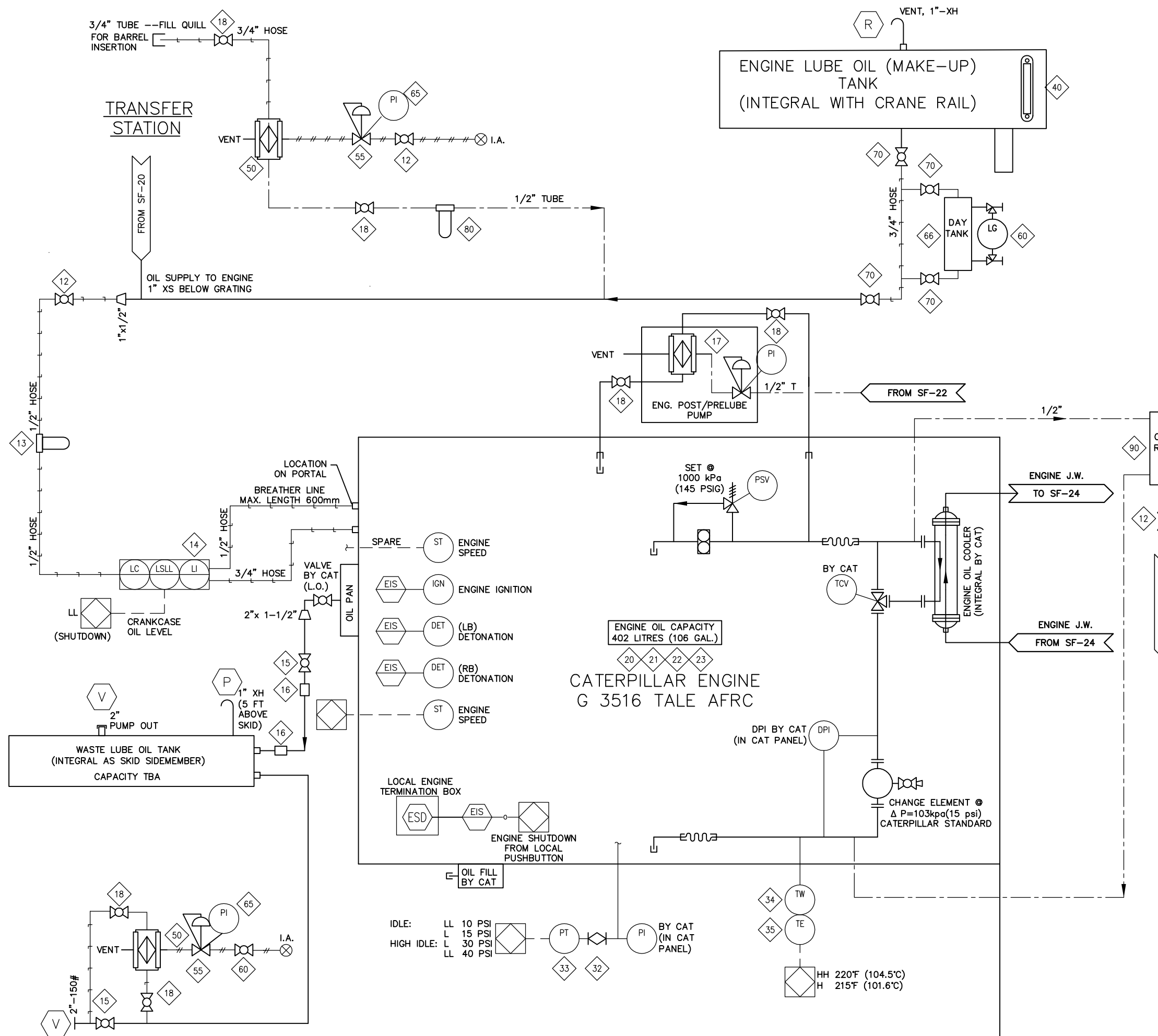
4700 47 Street SE Calgary AB Canada T2B 3R1 Canada Tel. +1.403.236.6800 Fax +1.403.279.0367  
 www.enerflex.com

**TITLE:** SERVICE FLOW  
 AIR & EXHAUST SYSTEMS  
 ARIEL JGK/4, CAT. G3516 TALE, AXC 144ZF

**FOR:** FORT ENERGY CORPORATION  
 THUNDER GAS PLANT (K-602)

**CONSULTANT:** BDR ENGINEERING  
 P.O.:

DRWN BY: MGN	DESIGN BY: JLE	DATE: 06/03/06	DWG. No.	OP#
DATE: 06/03/09	CHKD BY:	DATE:	SF-051125-26	26
SCALE: NTS	APPVD BY:	DATE:		



**BILL OF MATERIAL**

ITEM	QTY	EFX CODE	DESCRIPTION
12	2	102949	VALVE, BALL, 1/2" NPT, 2000# WOG, RP, 316SS, NACE C/W [NAVCO, C1-R05S20A]
13	1	121735	FILTER, ASSEMBLY, OIL, 1/2" NPT, 25 MICRON, C/W SF6310 [KINECOR, SAF-05-00-0]
14	1	107969	CONTROLLER, OIL LEVEL C/W ELECTRIC SWITCH, XP, CSA C/W BRACKET [KENCO, KLCE-1]
15	2	102951	VALVE, BALL, 2" NPT, 2000# WOG, RP, 316SS, NACE C/W LOCKING [NAVCO, C1-R20S20]
16	2	101245	COUPLING, STRAIGHT, 2", STYLE 90 [DRESSER, 0090-0005-082]
17	1	119927	PUMP, DIAPHRAGM, 1" NPT, ALUM, GAS, CSA, REG/PI [WARREN RUPP, G1FB1ATTXNSX00]
18	6	102926	VALVE, BALL, 3/4" NPT, 2000# WOG, RP, CS, NACE C/W LOCKING [NUTRON, T3-R07S2]
20	1	NPN-REQ	>>IGNITION SYSTEM, BY CAT, CSA CLASS1, DIV2
21	1	NPN-REQ	>>HARNES, IGNITION SYSTEM, CSA CLASS1, DIV2, BY CAT
22	1	NPN-REQ	>>THERMOCOUPLE ASS'Y, TYPE K, 3/4" NPT, 2-1/2" INSERTION, BY CAT
23	1	NPN-REQ	>>HARNES, K TYPE THERMOCOUPLE, BY CAT
32	1	102808	VALVE, NEEDLE, 1/4" TUBE, 316SS [WHITEY, SS-1VS4]
33	1	112325	TRANSMITTER, PRESSURE, 0-160 PSIG, SWEET, 1/4" NPT [WKA, 892.13.500]
34	1	115504	THERMOWELL, 316SS, BTB STYLE 5B, 1/2" X 3/4" NPTM, U=2.5", .203" BORE
35	1	117910B	X-THERMOCOUPLE, K TYPE, 316SS [THERMOKINETICS, K125-316-S-007.5-B-82X000-0]
40	1	115052	INDICATOR, LEVEL, SIGHT GLASS WINDOW, 10" BOLT CENTERS, [MP FILTRI, LVA 30 TA]
50	2	121741	PUMP, DIAPHRAGM, 1/2" NPT, ALUM, SWEET GAS, CSA [WARREN RUPP, G05B1ABTXNSX00]
55	2	104872	REGULATOR, 1/4" NPT, ALUM., 0-125#, TAPPED (W/O PI) [FISHER, 67CFR-601/SPEC]
60	2	103698	VALVE, SET GAUGE, SWEET, 5/8"OD TUBULARX1/2"MNPT CS 600# QUEST-TEC [DANIEL,
65	2	107894	GAUGE, PRESSURE, CBM, 2" DRY, 0-200 PSI DUAL, 1/4" NPT [WKA, 111.10]
66	1	110183C	TANK, OIL, 125L, B530
70	4	102937	VALVE, BALL, 1" NPT, 2000# WOG, RP, 316SS, NACE C/W LOCKING [NAVCO, C1-R10S20]
80	1	104295	FILTER, OIL, ASSEMBLY, 1" FNPT C/W BF915 ELEMENT & BASE FB1307 [BALDWIN, BL914]
90	1	110183C	TANK, OIL, 125L, B530

**NOTE:**  
1. 1/2" PLUGGED SAMPLE POINTS TO BE PROVIDED.

REV	DESCRIPTION	DATE	DRAWN BY	CHECKED BY
2	AS BUILT	06/06/09	MGN	MM
1	ISSUED FOR CONSTRUCTION	06/03/10	MGN	JLE

**EFX Compression**  
ENERFLEX

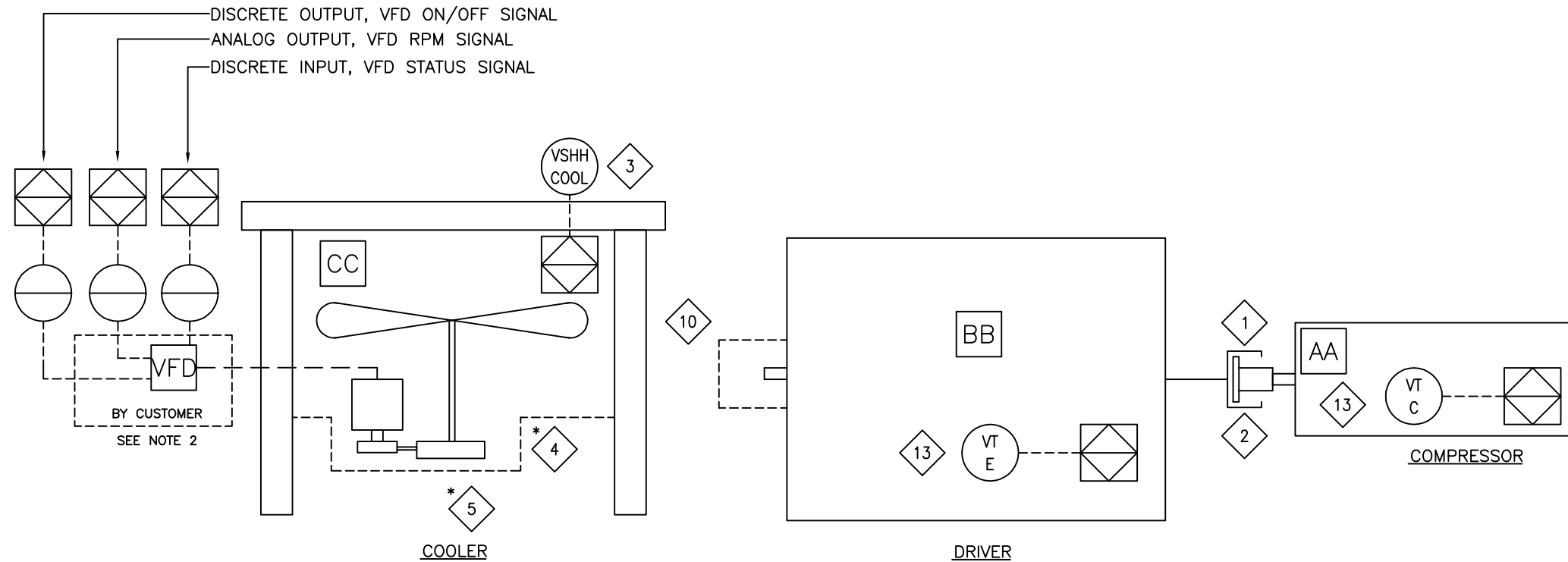
4700 47 Street SE Calgary AB Canada T2B 3R1 Canada Tel. +1.403.236.6800 Fax +1.403.279.0367  
www.enerflex.com

<b>TITLE:</b>		SERVICE FLOW ENGINE OIL ARIEL JGK/4, CAT. G3516 TALE, AXC 144ZF		
<b>FOR:</b>		FORT ENERGY CORPORATION THUNDER GAS PLANT (K-602)		
<b>CONSULTANT:</b> BDR ENGINEERING		LSD: 04-05-61-05 W5M JOB No.: 051125		
<b>DRWN BY:</b> MGN	<b>DESIGN BY:</b> JLE	<b>DATE:</b> 06/03/06	<b>DWG. No.</b>	<b>OP#</b>
<b>DATE:</b> 06/03/10	<b>CHKD BY:</b>	<b>DATE:</b>	SF-051125-27	27
<b>SCALE:</b> NTS	<b>APPVD BY:</b>	<b>DATE:</b>		

DESCRIPTION	SHEAVE PICTH Ø	RPM
ENGINE SHAFT	TBD	TBD
JACK SHAFT	N/A	N/A
ENGINE END	N/A	N/A
COOLER END	N/A	N/A
IDLER	N/A	N/A
COOLER END	N/A	N/A
COOLER SHAFT	TBD	TBD
MOTOR SHAFT	TBD	TBD

### BILL OF MATERIAL

ITEM	QTY	EFX CODE	DESCRIPTION
1	1	118598	COUPLING, ADAPTER PLATE 26.5" OD HD/SAE C/W STEEL HUB [FORMFLEX, FSH70-26B-GK]
2	1	115047	GUARD, COUPLING, FIBERGLASS, ENERFLEX RED, PMS 188 AS PER QUOTE #01-143
3	1	104524	SWITCH, VIBRATION, ELECTRIC C/W MANUAL RESET [MURPHY, VS2]
4	1	NPN	COOLER DRIVE BELT GUARD
5	1	NPN	BUSHINGS AND BELTS SUPPLIED BY COOLER MANUFACTURER , INFORMATION IN MANUAL
10	1	NPN	ENGINE DRIVE BELT GUARD
13	2	104786	TRANSMITTER, VIBRATION, 4-20MA 24VDC CSA IS CENELEC [METRIX, ST5484E-121-320-01]
*****			
BILL OF MATERIAL:			M 124585 : SERVICE FLOW, DRIVE TRAIN, A1478. 4STG
DATE-TIME EXPORTED:			2005-01-24-15.25



NOTE:  
 1. \* SUPPLIED BY VENDOR  
 2. WIRING FROM PANEL TO CUSTOMER VFD BY CUSTOMER.

REV	DESCRIPTION	DATE	DRAWN BY	CHECKED BY
2	AS BUILT	06/06/09	MGN	JLE
1	ISSUED FOR CONSTRUCTION	06/03/10	MGN	JLE

## EFX Compression

4700 47 Street SE Calgary AB Canada T2B 3R1 Canada Tel. +1.403.236.6800 Fax +1.403.279.0367  
 www.enerflex.com

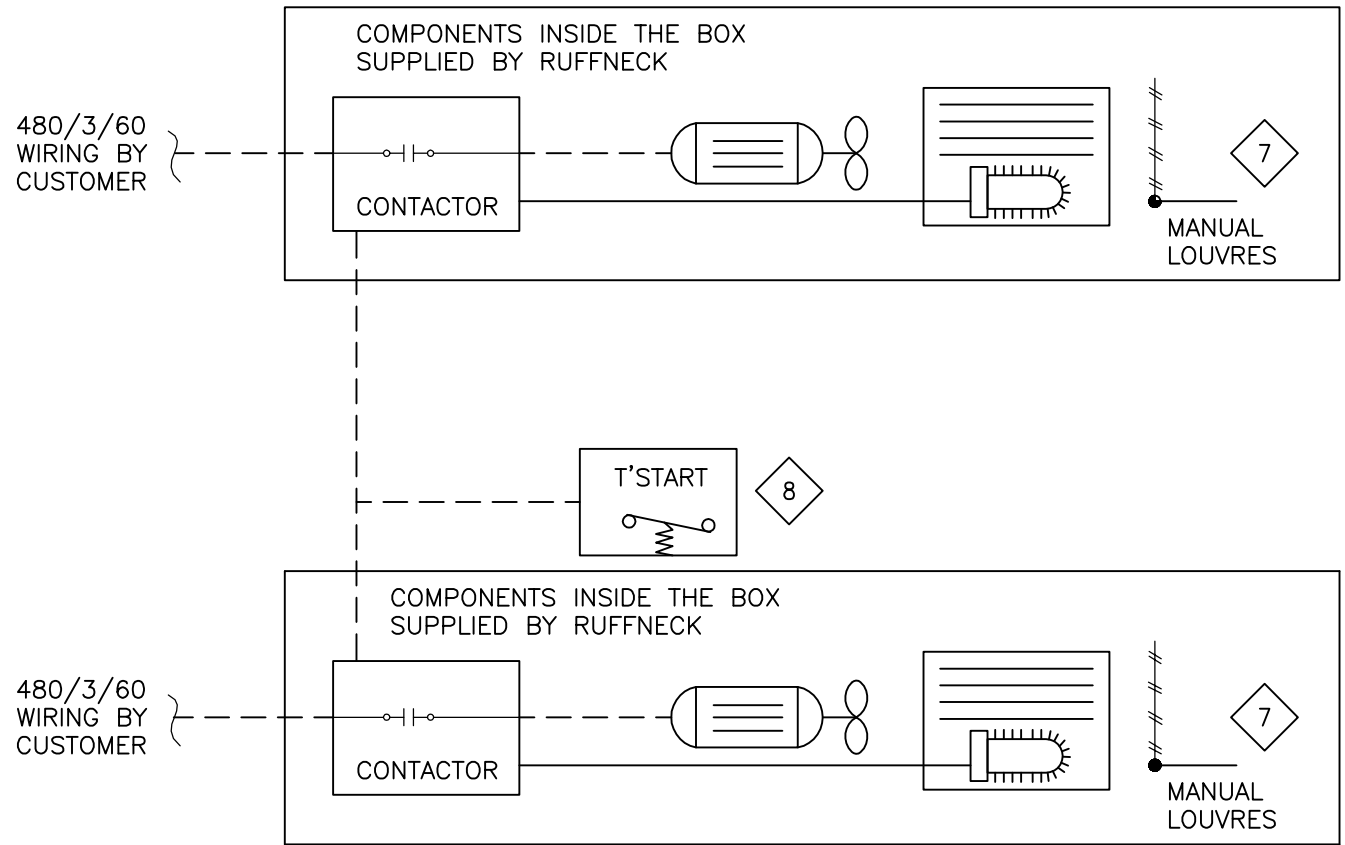
TITLE: SERVICE FLOW DRIVE TRAIN  
 ARIEL JGK/4, CAT. 3516 TALE AIR X 144ZF  
 A1478 4STG (OP 28)

FOR: FORT ENERGY CORPORATION  
 THUNDER GAS PLANT (K-602)

CONSULTANT: BDR ENGINEERING  
 P.O.: -

LSJ: 04-05-61-05 W5M  
 JOB No.: 051125

DRWN BY: MGN	DESIGN BY: JLE	DATE: 06/03/06	DWG. No.	REV
DATE: 06/03/10	CHKD BY: -	DATE: -	SF-051125-28	28
SCALE: NTS	APPVD BY: -	DATE: -		



BUILDING EQUIPMENT AND CONTROLS

BILL OF MATERIAL			
ITEM	QTY	EFX CODE	DESCRIPTION
7	2	104647	HEATER, ELECTRIC, 20 KW, 480V/3/60HZ, XP, CSA, [RUFFNECK, FX416-480360-20]
8	1	104651	THERMOSTAT, 5-25 DEGC RANGE, 120/240V, XP, CSA, WALL MOUNT, [DEFENDER, XT-311]
BILL OF MATERIAL: M BASE TEMPLATE + ASSEMBLY, HEATERS, A1478			

REV	DESCRIPTION	DATE	DRAWN BY	CHECKED BY
2	AS BUILT	06/06/09	MGN	JLE
1	ISSUED FOR CONSTRUCTION	06/03/10	MGN	JLE

**EFX Compression**

4700 47 Street SE Calgary AB Canada T2B 3R1 Canada Tel: +1403.236.6800 Fax: +1403.279.0367  
www.enerflex.com

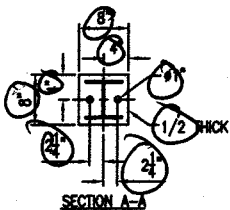
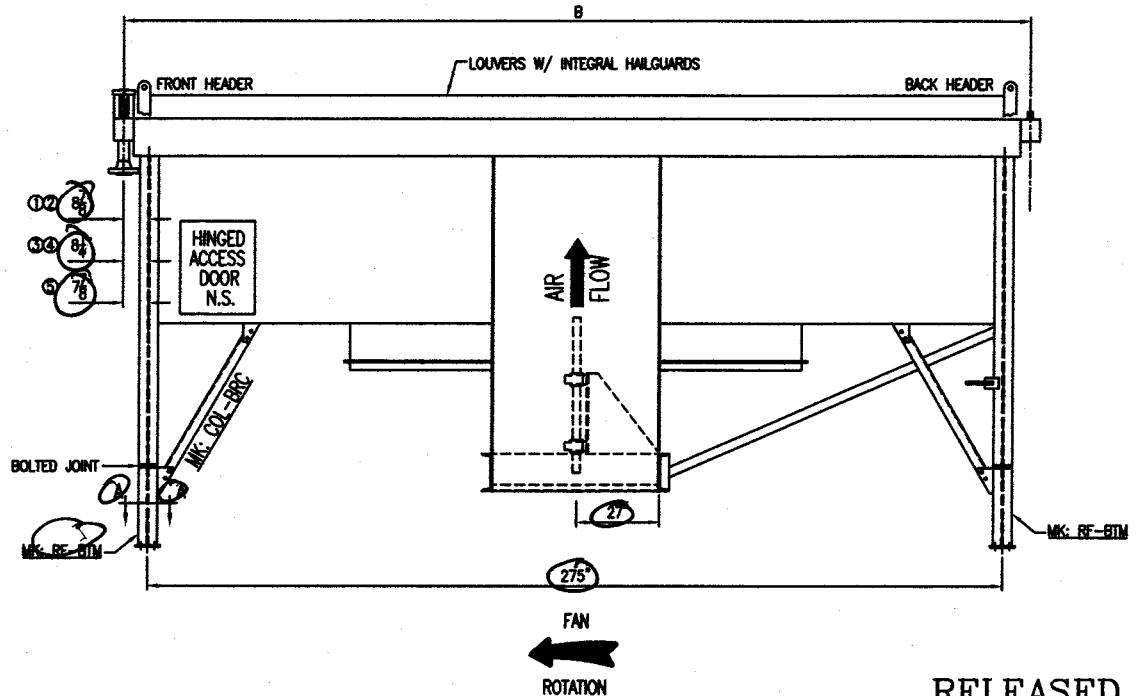
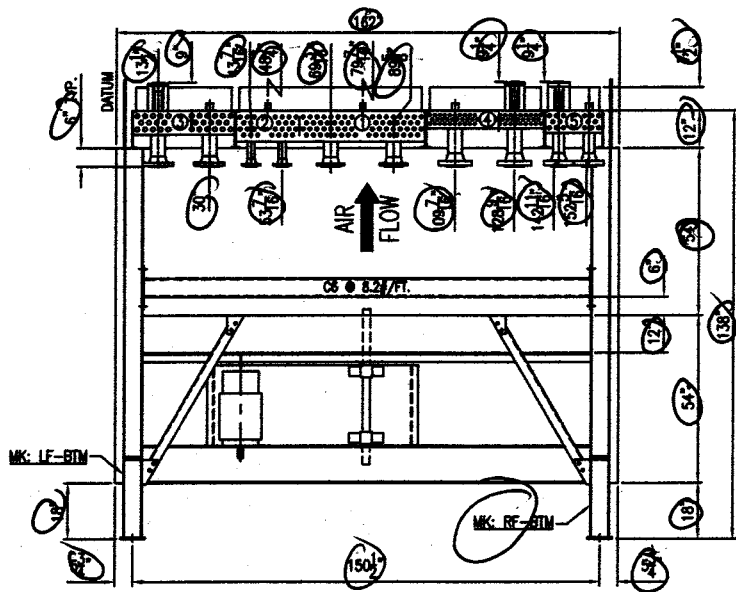
TITLE: SERVICE FLOW  
BUILDING EQUIPMENT AND CONTROL  
A1478-4 STG (OP 72)

FOR: FORT ENERGY CORPORATION  
THUNDER GAS PLANT (K-602)


CONSULTANT: BDR ENGINEERING LSD: 04-05-61-05 W5M  
P.O.: - JOB No.: 051125

DRWN BY: MGN	DESIGN BY: JLE	DATE: 06/03/06	DWG. No.	OP#
DATE: 06/03/10	CHKD BY: -	DATE: -	SF-051125-72	72
SCALE: NTS	APPVD BY: -	DATE: -		

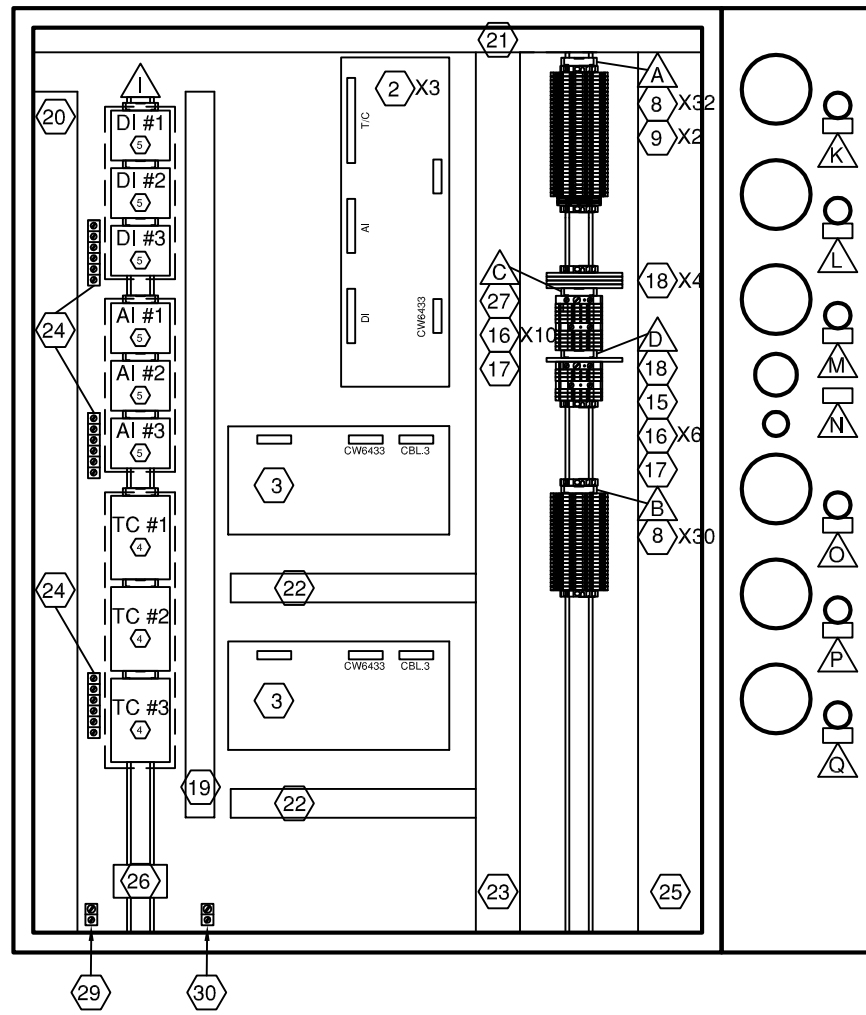
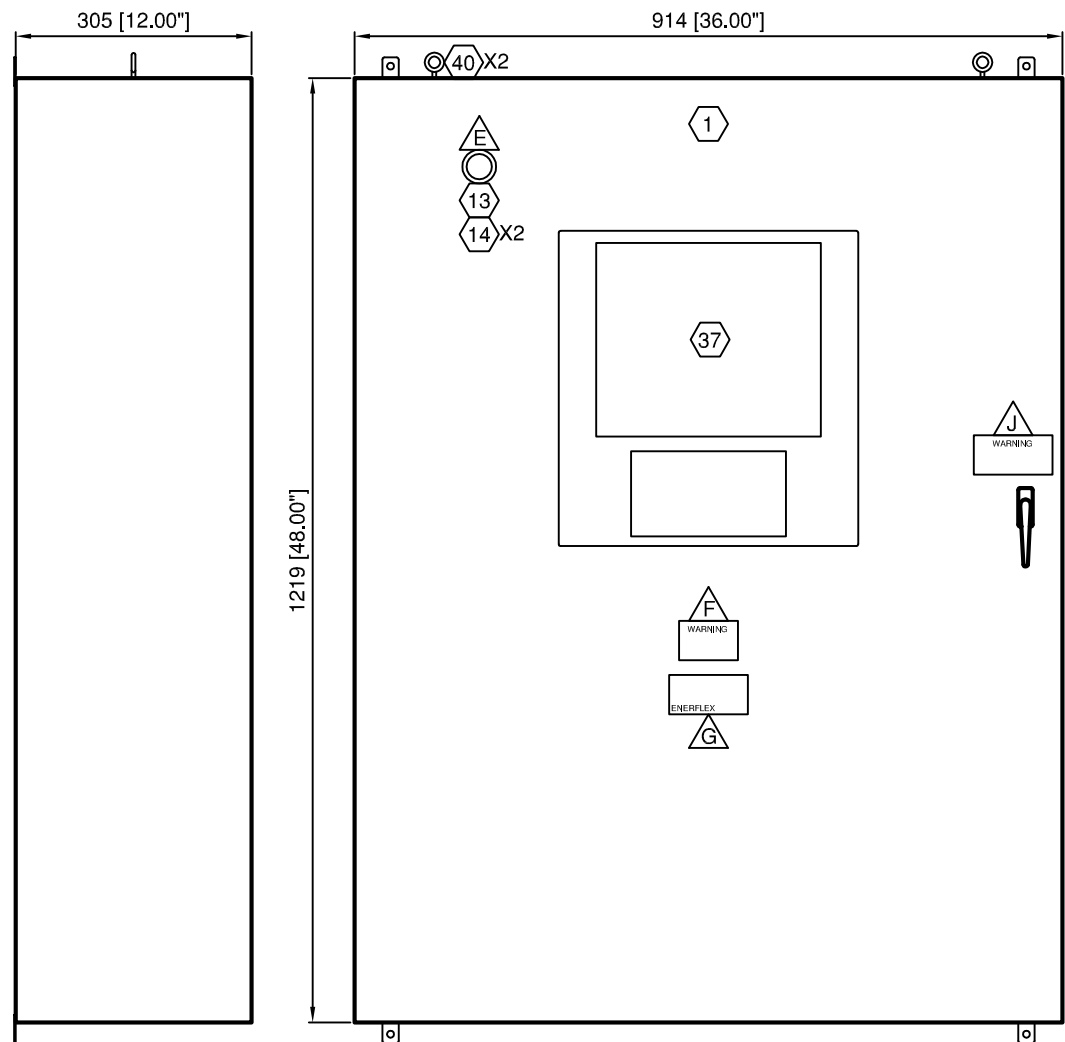
ITEM	SERVICE	MAWP	CODE	NOZZLES		COUPLING	REF. DIMENSION		LOUVERS	BUG SCREEN	DRIVE	FAN	FINISH
				INLET	OUTLET	VENT/TEMP	B	C					
1	EJW (COMBINED) 69 GALS	14 PSI @ 300/-20F	NONE	4-150# RFWN	4-150# RFWN	1-3000#	292.75	-	MANUAL	NONE	ELECTRIC MOTOR DRIVE SHEAVES, BELTS, AND GUARDS BY AIR-X-HEMPHILL 50 HP, 1800 RPM, 3P, 60 HZ, 480V, TEFC, VFD, CSA ELECTRIC MOTOR	144# MOORE 10K, 60 HD, VT 12-BLADE 12" PA, LH ROTATION 240 RPM @ 45.4 HP REQ'D	STRUCTURE STD. PRIMER W/ WARM GRAY ENAMEL TOP COAT
2	AUX-W (COMBINED) 34 GALS	14 PSI @ 300/-20F	NONE	2-150# RFWN	2-150# RFWN	1-3000#	292.75	-					
3	IC-1	645 PSI @ 350/-40F	ASME	4-300# RFWN	4-300# RFWN	2-300# RFWN 1-800#	291.50	-					
4	IC-2	1292 PSI @ 350/-40F	ASME	4-600# RFWN	4-600# RFWN	1.5-600# RFWN 1-800#	291.50	-					
5	AC	1935 PSI @ 350/-40F	ASME	3-900# RFWN	3-900# RFWN	1.5-900# RFWN 1-800#	290.75	-					



RELEASED  
FABRICATION OF THIS  
ORDER HAS BEGUN

								FOR: ENERFLEX SYSTEMS LTD.	ESTIMATED DRY WEIGHT 19,850#
								P.O. NO: 0540836, 37, 38, 39,	
								CUST. TAG: 051124, 25, 26, 27	
								USER: FORT ENERGY	
								JOBSITE: AB, CANADA	
								JOB NO: 64463	CERTIFIED DRAWING FOR:
								WORK ORDER NO: -	MODEL 144 ZF QUANTITY: 4
								DR: LES DATE: 02/21/06	DWG. NO. 64463-CRT
REV								CK: M.B. DATE: 02/21/06	SCALE: FULL DATE: 02/21/06
									REV 0

B AP  
474



### BILL OF MATERIALS

ITEM	QTY	DESCRIPTION	MODEL #
1	1	ACE 48"x36"x12" ENCLOSURE c/w FEET	ACE483612
2	3	RC 2000 INPUT MODULE	CW4769-1
3	2	RC 2000 OUTPUT MODULE	CW5218-2
4	3	WIELAND. 40 PIN TERMINATION BLOCK	87.210.2208.3
5	6	WIELAND. 26 PIN TERMINATION BLOCK	87.210.2005.3
6	-	-	-
7	-	-	-
8	62	WDK 2.5 STACKED FEED THROUGH TERM.	102150
9	2	WEID. WPE 4 GROUND TERMINAL	101010
10	-	-	-
11	-	-	-
12	-	-	-
13	1	AB RED PUSH BUTTON	800T-FX6
14	2	N/C CONTACT BLOCK	800T-XD2P
15	1	WEID SAKS 1/35 FUSED TERMINAL	50162
16	16	WEID WDU 2.5 FEED THROUGH TERMINAL	102000
17	2	WEID WDU 10 FEED THROUGH TERMINAL	102030
18	5	WEIL. SLIM LINE RELAY	80.010.4000.0
19	LOT	1X2 GRAY PANDUIT	F1X2LG6
20	LOT	2X4 GRAY PANDUIT	F2X4LG6
21	LOT	1X2 WHITE PANDUIT	F1X2WH6
22	LOT	1X3 WHITE PANDUIT	F1X3WH6
23	LOT	2X3 WHITE PANDUIT	F2X3WH6
24	LOT	GROUND BAR	-
25	LOT	3X3 WHITE PANDUIT	F3X3WH6
26	1	WEID. SPARE FUSE HOLDER	7914760001
27	1	WSI 6/2 FUSED TERMINALS	101400
28	-	-	-
29	1	ILSCO ISOLATED GROUND LUG	-
30	1	ILSCO PANEL GROUND LUG	-
31	-	-	-
32	-	-	-
33	LOT	TS-35 MOUNTING RAIL	38340
34	LOT	EW 35 END STOPS	38356
35	LOT	SCHT5s TERMINAL STRIP MARKERS	163193
36	-	-	-
37	1	CIMREX 10" TOUCH SCREEN c/w KEYPAD	RC2000-10T
38	-	-	-
39	-	-	-
40	2	LIFTING EYE HOOKS	BS12/312A
41	-	-	-

### LAMACOID SCHEDULE

ITEM	QTY	TEXT	SIZE
A	1	INCENDIVE I/O BOARD #1	SCHT5s
B	1	INCENDIVE I/O BOARD #2	SCHT5s
C	1	24 VDC DISTRIBUTION	SCHT5s
D	1	IGNITION DISTRIBUTION	SCHT5s
E	1	PANEL SHUTDOWN	1" X 3"
F	1	WARNING EXPLOSION HAZARD DO NOT REPLACE FUSES OR WIRES UNLESS POWER HAS BEEN SWITCHED OFF OR THE AREA IS KNOWN TO BE NON-HAZARDOUS	2" x 3" WHT/RED
G	1	ENERFLEX CSA LAMACOID	2" X 4"
H	-	-	-
I	1	NON-INCENDIVE I/O	SCHT5s
J	1	WARNING : DISCONNECT CABLE CONNECTION TO INPUT / OUTPUT BOARDS BEFORE WELDING	2" x 4" WHT/RED

### LAMACOID SCHEDULE

ITEM	QTY	TEXT	SIZE
K	1	GOVERNOR	3/4" X 1.5"
L	1	BYPASS VALVE #1	3/4" X 1.5"
M	1	BYPASS VALVE #2	3/4" X 1.5"
N	1	FIRELOOP	3/4" X 1.5"
O	1	LOUVER 1 CONTROL VALVE	3/4" X 1.5"
P	1	LOUVER 2 CONTROL VALVE	3/4" X 1.5"
Q	1	LOUVER 3 CONTROL VALVE	3/4" X 1.5"

<b>LEGEND</b>	<b>WIRE COLOR LEGEND</b>
1. PANEL WIRING	1. +24VDC: RED
2. FIELD WIRING	2. -24VDC: YELLOW
3. UNFUSED TERMINAL	3. SWITCHED: ORANGE
4. FUSED TERMINAL	4. ANALOG INPUT/OUTPUT - : BLACK
5. FEED THROUGH TERMINAL	5. ANALOG INPUT/OUTPUT + : WHITE
6. DISCONNECT TERMINAL	6. ANALOG LOOP: PURPLE

Project Title					FORT ENERGY C/O TRIDENT RC10417					
Drawing Title					CONTROL PANEL PANEL LAYOUT					
2	PANEL SHOP AS BUILT	AK	01.05.2006	LH						
1	ISSUED FOR CONSTRUCTION	JM	20.03.2006	LH						
Rev.	Soft Rev.	Revision Description	By	Date	Checked	Aprvd				

# Syntech

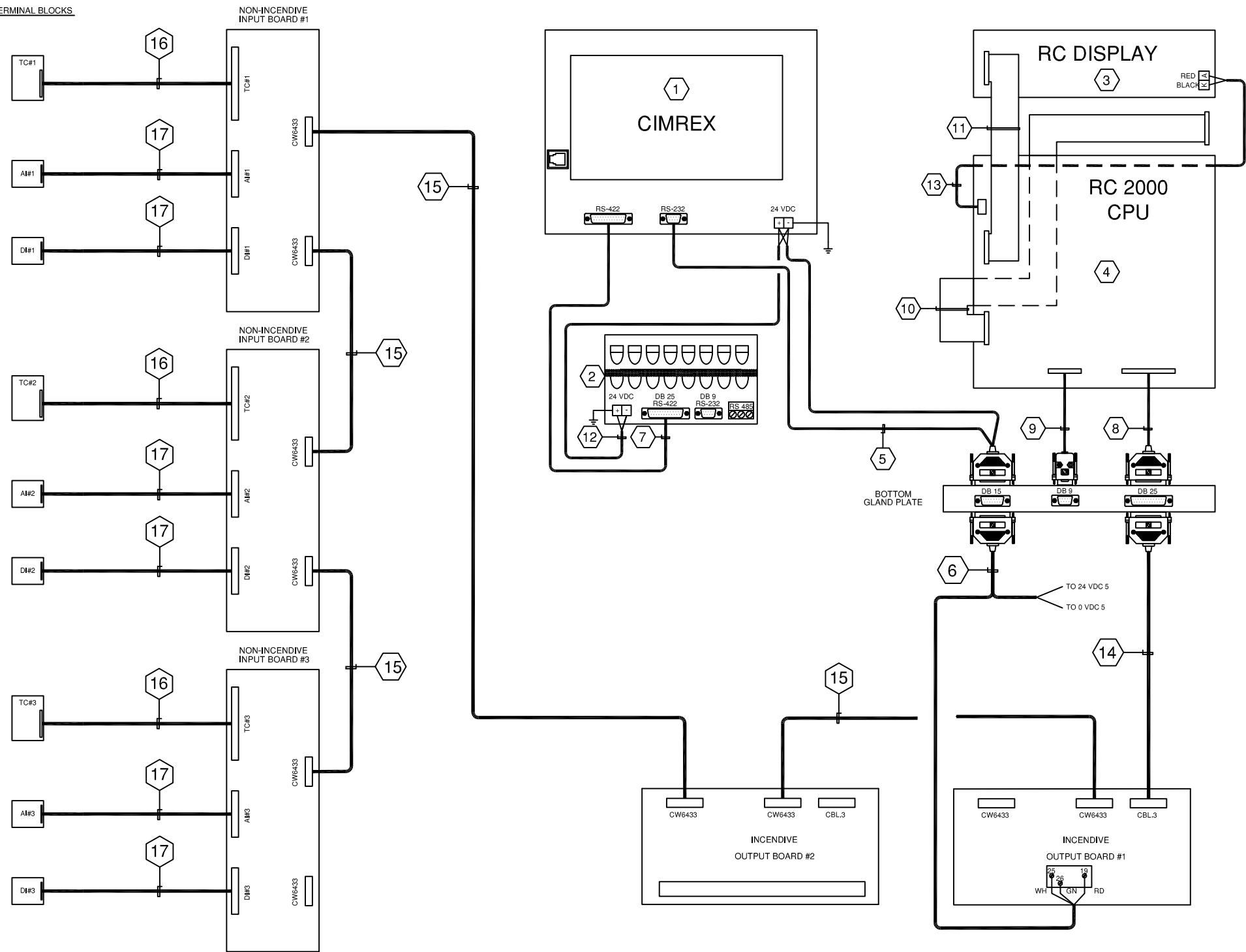
Syntech Drawing Number **6190067B-01** 1 of 1

Customer Drawing Number **051125** NTS

**BILL OF MATERIALS** 

ITEM	QTY	DESCRIPTION	MODEL #
1	1	CIMREX 10" TOUCH SCREEN	CIMREX 91D
2	1	KEYPAD	CKEY16
3	1	RC DISPLAY MODULE	CW-2873
4	1	RC 2000 CPU MODULE	CW-5157-2
5	1	CIMREX POWER AND DATA CABLE	CA-2503
6	1	PANEL POWER AND DATA CABLE	CA-2501
7	1	KEYPAD CABLE	CA-2502
8	1	CBL-2 MODBUS 16 CABLE	CA-2500
9	1	CBL-1 MODBUS 22 CABLE	CA-2504
10	1	KEYPAD EXTENSION RIBBON CABLE	A9BAG-1508F-ND
11	1	CUSTOM DISPLAY DATA RIBBON CABLE 9"	SYNTECH
12	1	TWO WIRE BELDON CABLE 12"	SYNTECH
13	1	TWO WIRE BELDON CABLE 16"	SYNTECH
14	1	CABLE COMM 144" RC2000	CW6926/144
15	4	CABLE 9 PIN MODBUS	CW6433/14
16	3	CABLE 40 PIN 43" THERMOCOUPLE	CW6453/43
17	6	CABLE 26 PIN 10"	CW6449/10
18	-	-	-

I/O TERMINAL BLOCKS



LEGEND


- 1. PANEL WIRING
- 2. FIELD WIRING
- 3. UNFUSED TERMINAL
- 4. FUSED TERMINAL
- 5. FEED THROUGH TERMINAL
- 6. DISCONNECT TERMINAL

WIRE COLOR LEGEND

- 1. +24VDC: RED
- 2. -24VDC: YELLOW
- 3. SWITCHED: ORANGE
- 4. ANALOG INPUT/OUTPUT -: BLACK
- 5. ANALOG INPUT/OUTPUT +: WHITE
- 6. ANALOG LOOP: PURPLE

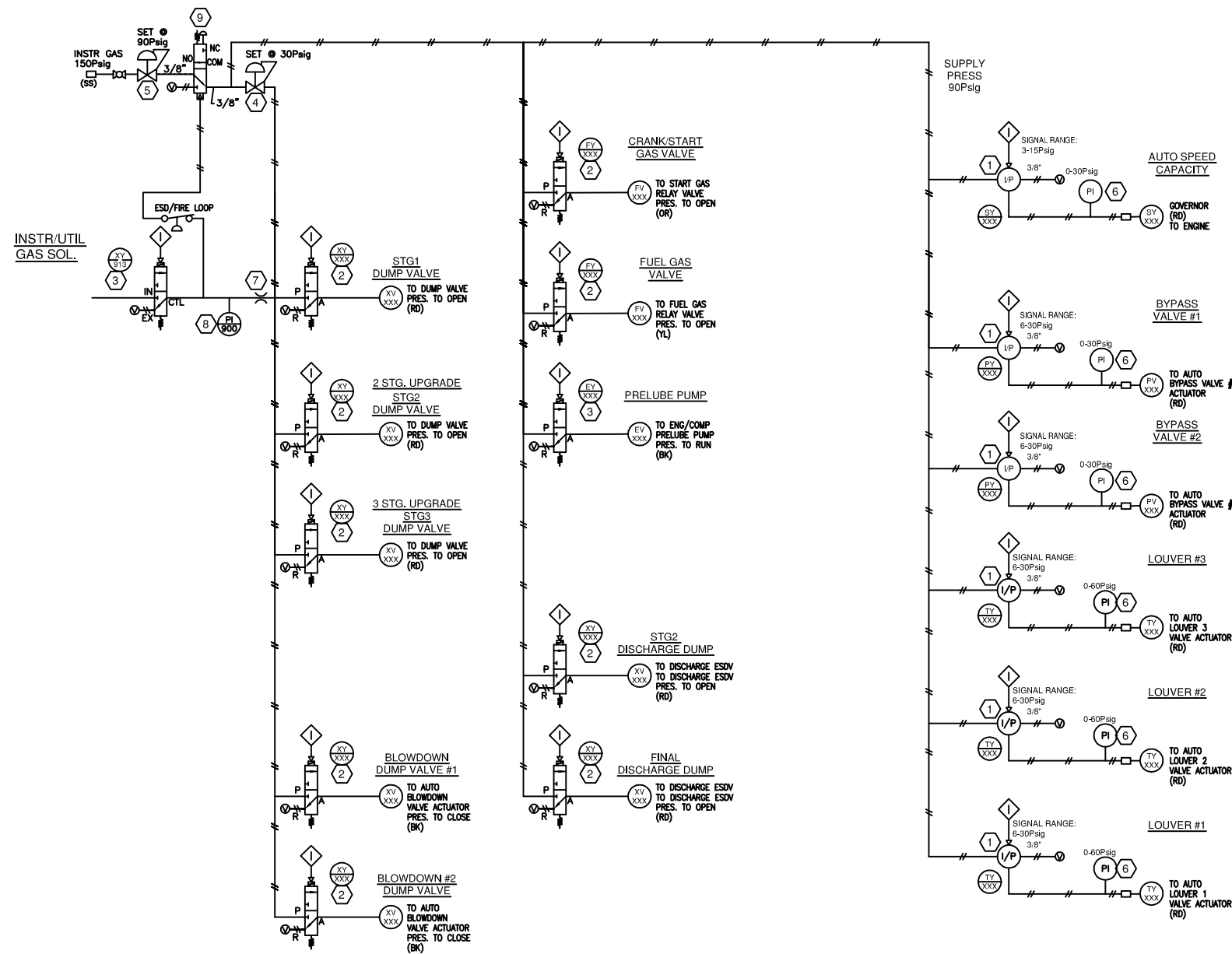
Rev.	Soft Rev.	Revision Description	By	Date	Checked	Aprvd
2		PANEL SHOP AS BUILT	AK	01.05.2006	LH	
1		ISSUED FOR CONSTRUCTION	JM	20.03.2006	LH	

Project Title	FORT ENERGY C/O TRIDENT RC10417
Drawing Title	RC2000-10T COMMUNICATION LAYOUT DRAWING



Syntech Drawing Number	6190067B-03	1 of 1
Customer Drawing Number	051125	NTS





**BILL OF MATERIALS** ◻

ITEM	QTY	DESCRIPTION	MODEL #
1	6	FAIRCHILD I/P	TCX117800-401E2
2	9	BURKERT SOLENOID	428871Y
3	2	SNAPTITE SOLENOID	3013Z-ZNT-V6F6
4	1	FISHER TYPE 67 REGULATOR 30 psi	67-CFR-362-SPEC
5	1	FISHER TYPE 64 REGULATOR 90 psi	64-29
6	6	WIKA PRESSURE GAUGE 0-30 PSI	9603021
7	1	AMOT 2185 ORFICE	2185L011
8	1	MURPHY PRESSURE GAUGE 0-100psi	45A 25PEF100
9	1	AMOT 3-WAY ESD SWITCH	4057DO23H2
10	-	-	-
11	-	-	-
12	-	-	-
13	-	-	-
14	-	-	-
15	-	-	-
16	-	-	-
17	-	-	-
18	-	-	-

**LAMACOID SCHEDULE** △

ITEM	QTY	TEXT	COLOR: TEXT/BACKGROUND	SIZE
A	-	-	-	-
B	-	-	-	-
C	-	-	-	-
D	-	-	-	-
E	-	-	-	-
F	-	-	-	-
G	-	-	-	-
H	-	-	-	-
I	-	-	-	-
J	-	-	-	-
K	-	-	-	-
L	-	-	-	-
M	-	-	-	-

**LEGEND**

- PROCESS PIPING
- UTILITY PIPING
- TUBING - STAINLESS STEEL
- TUBING - NYLON
- HOSE (PRE-LUBE OIL, DRAIN)
- ELECTRICAL SIGNAL

**TUBING COLOR CODE**

- BK (BLACK) . . . . . VENTS
- BL (BLUE) . . . . . ESD, FIRE LOOP SIGNAL
- RD (RED/TAG #) . . . . . CONTROL VALVE
- OR (ORANGE) . . . . . INSTR GAS OVER 35Psi
- YL (YELLOW) . . . . . INSTR GAS BELOW 35Psi
- OR (START) . . . . . ENGINE START GAS
- YL (FUEL) . . . . . ENGINE FUEL GAS
- BK (BLACK) . . . . . ENGINE OIL
- BR (BROWN) . . . . . COMPRESSOR OIL
- GR/WH (GREEN) . . . . . MANIFOLD
- SS . . . . . STAINLESS STEEL TUBING

**LEGEND**

- 1. PANEL WIRING
- 2. FIELD WIRING
- 3. UNFUSED TERMINAL
- 4. FUSED TERMINAL
- 5. FEED THROUGH TERMINAL
- 6. DISCONNECT TERMINAL

**WIRE COLOR LEGEND**

- 1. +24VDC: RED
- 2. -24VDC: YELLOW
- 3. SWITCHED: ORANGE
- 4. ANALOG INPUT/OUTPUT -: BLACK
- 5. ANALOG INPUT/OUTPUT +: WHITE
- 6. ANALOG LOOP: PURPLE

Rev.	Soft Rev.	Revision Description	By	Date	Checked	Aprvd
2		PANEL SHOP AS BUILT	AK	01.05.2006	LH	
1		ISSUED FOR CONSTRUCTION	JM	20.03.2006	LH	

Project Title  
**FORT ENERGY C/O TRIDENT RC10417**

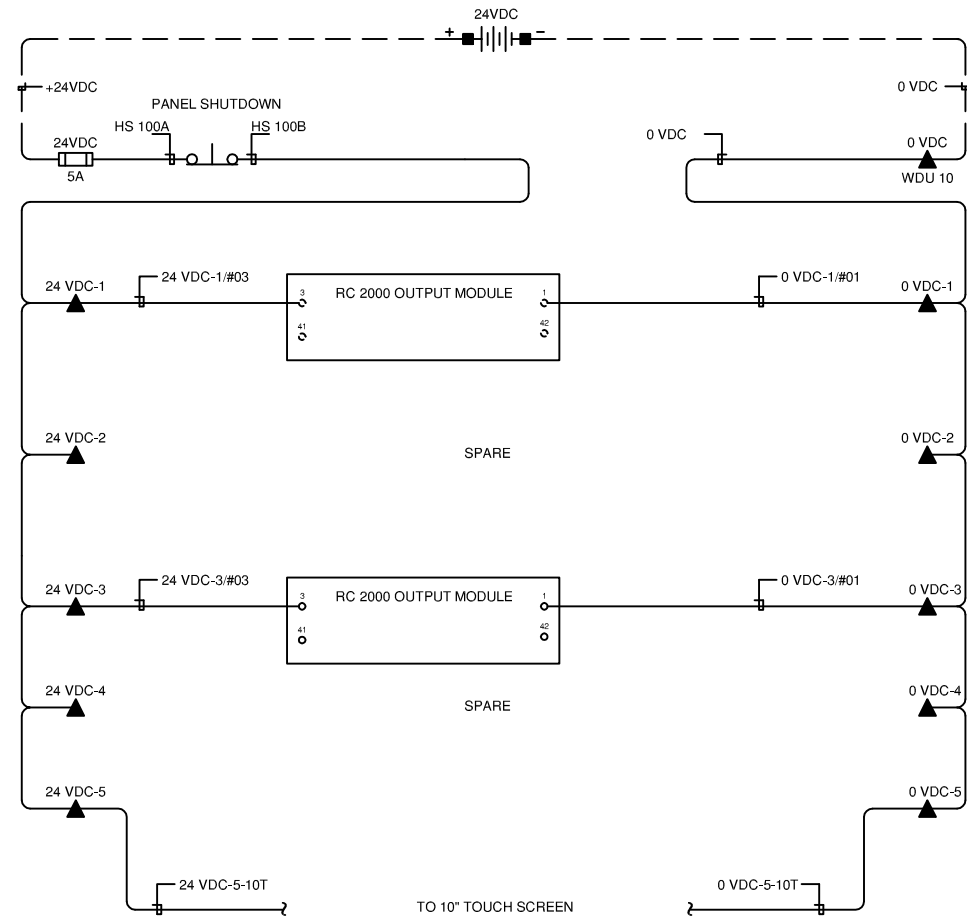
Drawing Title  
**PNEUMATIC LAYOUT DRAWING**

**Syntech**

Syntech Drawing Number: **6190067B-04**  
Customer Drawing Number: **051125**

1 of 1  
NTS

## 24VDC POWER DISTRIBUTION



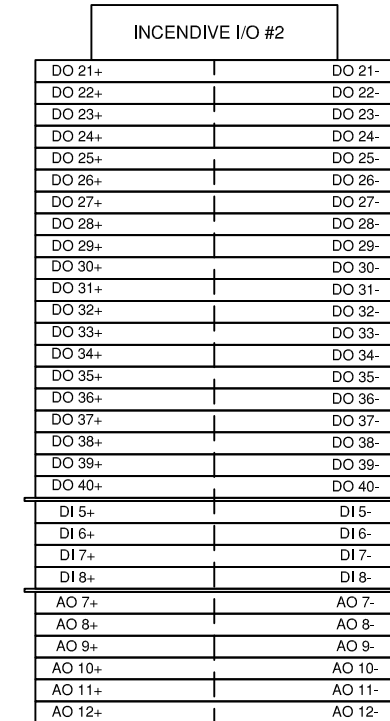
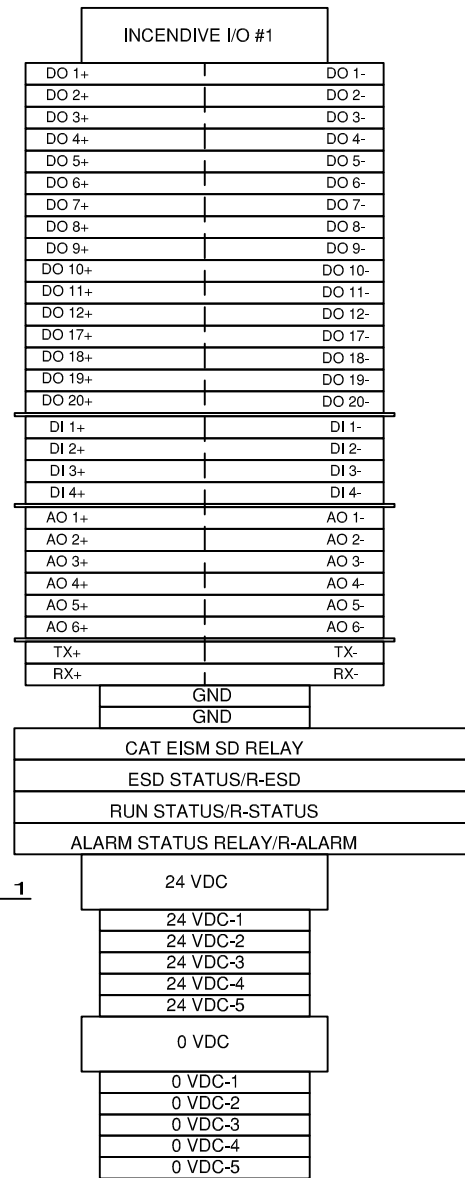
## 24VDC TERMINAL LAYOUT

TOP LEVEL

BOTTOM LEVEL

TOP LEVEL

BOTTOM LEVEL



NOTE 1

NOTES: 1. SEPARATE 24 VDC POWER PROVIDED FOR PANEL.

**LEGEND**

- 1. PANEL WIRING
- 2. FIELD WIRING
- 3. UNFUSED TERMINAL
- 4. FUSED TERMINAL
- 5. FEED THROUGH TERMINAL
- 6. DISCONNECT TERMINAL

**WIRE COLOR LEGEND**

- 1. +24VDC: RED
- 2. -24VDC: YELLOW
- 3. SWITCHED: ORANGE
- 4. ANALOG INPUT/OUTPUT -: BLACK
- 5. ANALOG INPUT/OUTPUT +: WHITE
- 6. ANALOG LOOP: PURPLE

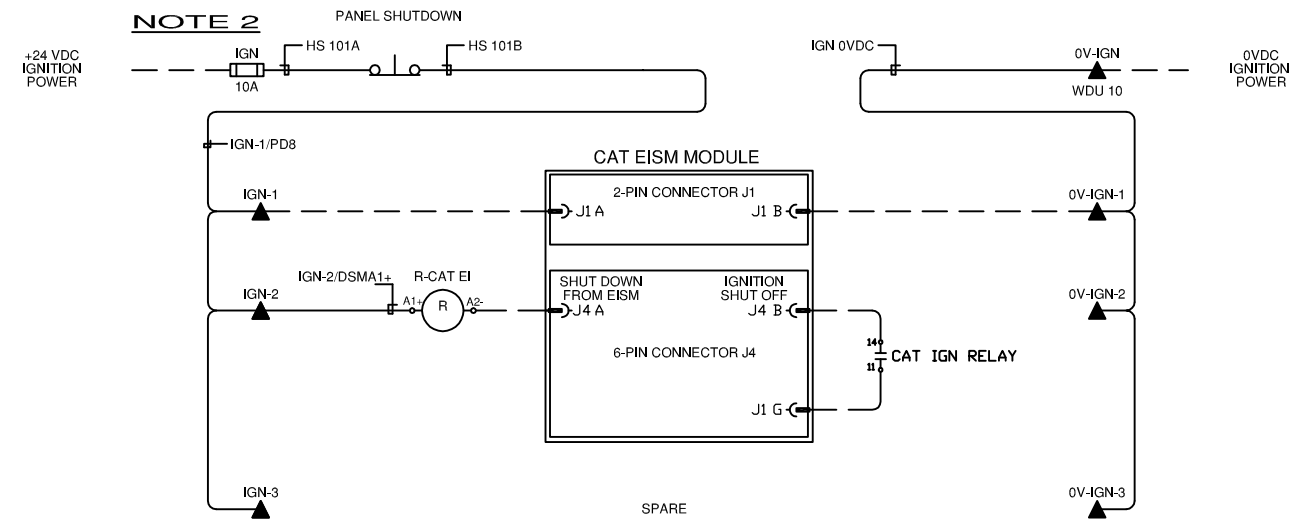
Rev.	Soft Rev.	Revision Description	By	Date	Checked	Aprvd
2		PANEL SHOP AS BUILT	AK	01.05.2006	LH	
1		ISSUED FOR CONSTRUCTION	JM	20.03.2006	LH	

Project Title	FORT ENERGY C/O TRIDENT RC10417
Drawing Title	24 VDC POWER DISTRIBUTION LAYOUT DRAWING

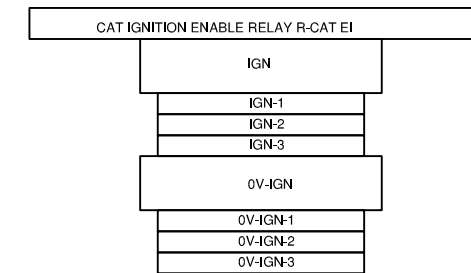
# Syntech

Syntech Drawing Number	6190067B-05	1 of 1
Customer Drawing Number	051125	NTS

## IGNITION DISTRIBUTION



## IGNITION TERMINAL LAYOUT



**NOTES:**

2. THE FUSE SHOULD BE TIME-DELAYED CERAMIC C1D2 RATED.

**LEGEND**

- 1. PANEL WIRING
- 2. FIELD WIRING
- 3. UNFUSED TERMINAL
- 4. FUSED TERMINAL
- 5. FEED THROUGH TERMINAL
- 6. DISCONNECT TERMINAL

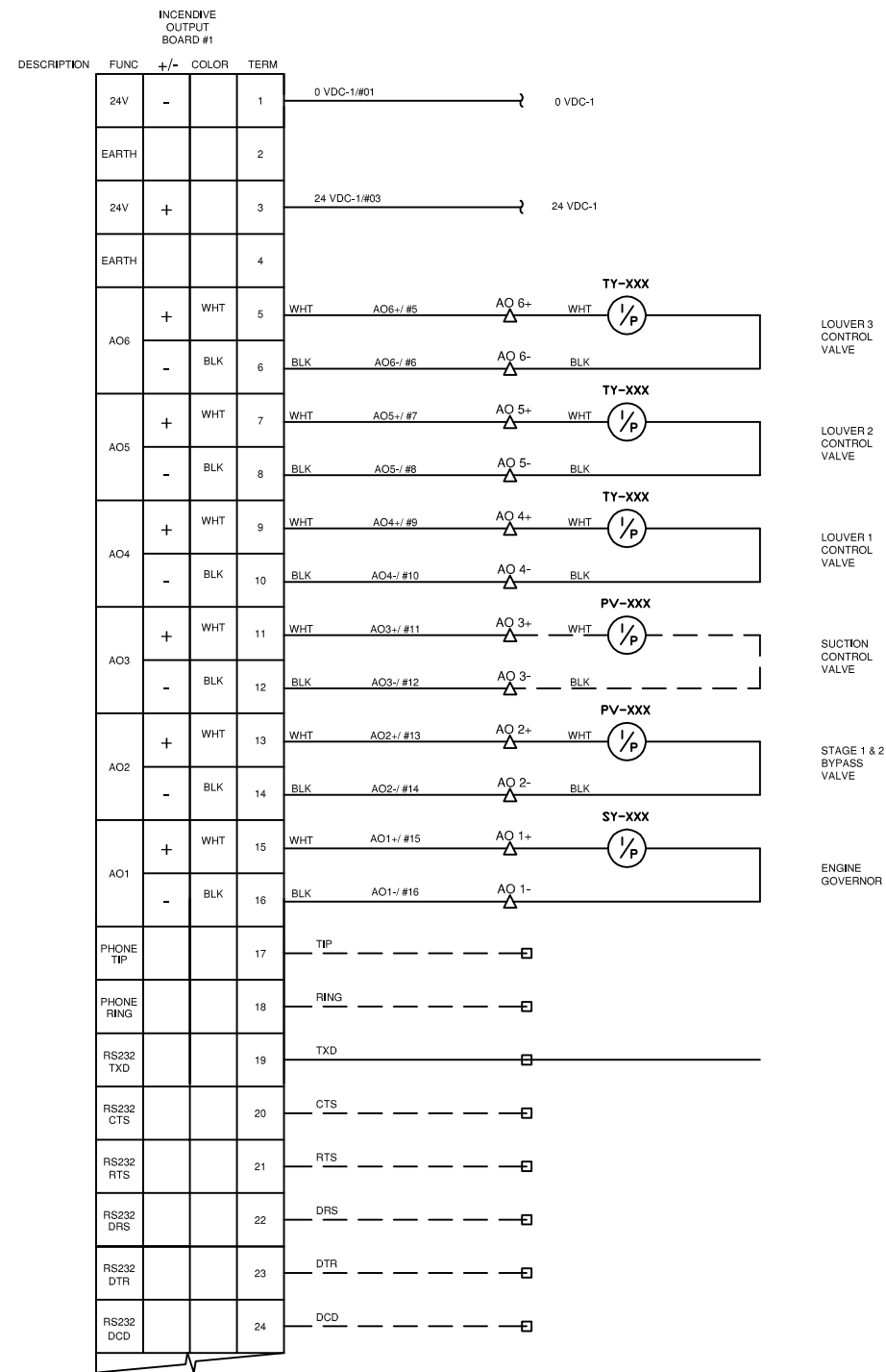
**WIRE COLOR LEGEND**

- 1. +24VDC: RED
- 2. -24VDC: YELLOW
- 3. SWITCHED: ORANGE
- 4. ANALOG INPUT/OUTPUT -: BLACK
- 5. ANALOG INPUT/OUTPUT +: WHITE
- 6. ANALOG LOOP: PURPLE

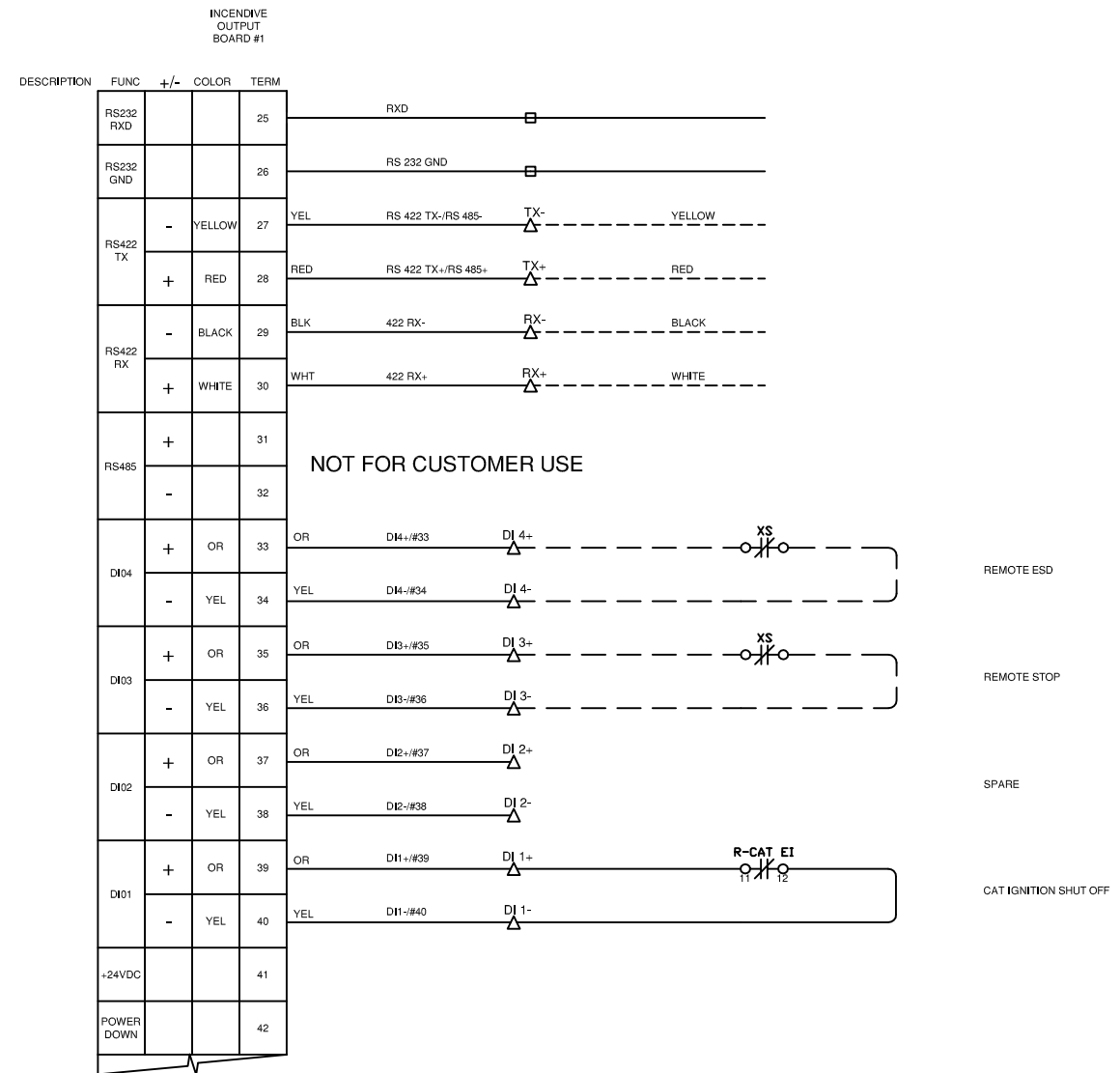
Rev.	Soft Rev.	Revision Description	By	Date	Checked	Aprvd
2		PANEL SHOP AS BUILT	AK	01.05.2006	LH	
1		ISSUED FOR CONSTRUCTION	JM	20.03.2006	LH	

Project Title <p style="text-align: center;">FORT ENERGY C/O TRIDENT RC10417</p>	Drawing Title <p style="text-align: center;">IGNITION POWER DISTRIBUTION LAYOUT DRAWING</p>
-----------------------------------------------------------------------------------------	----------------------------------------------------------------------------------------------------

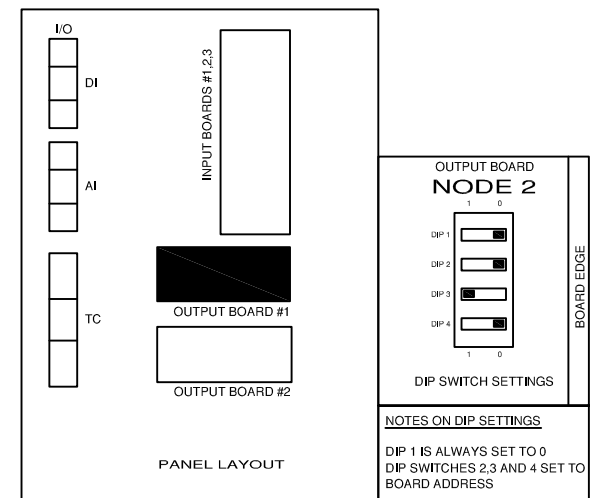
<h1>Syntech</h1>	Syntech Drawing Number <b>6190067B-06</b>	1 of 1
	Customer Drawing Number <b>051125</b>	NTS



REMOTE MOUNTED ON VALVE



NOT FOR CUSTOMER USE



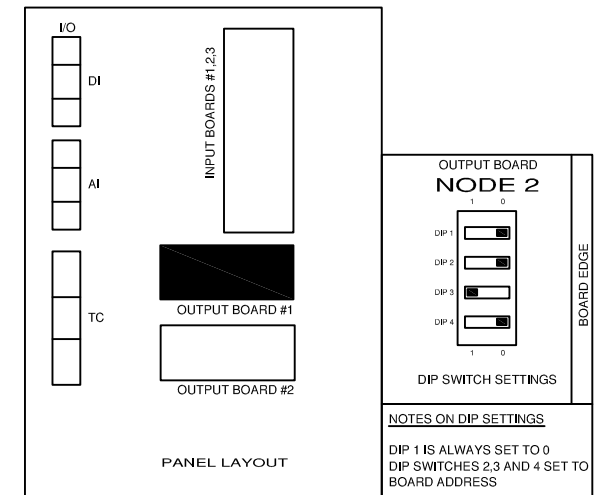
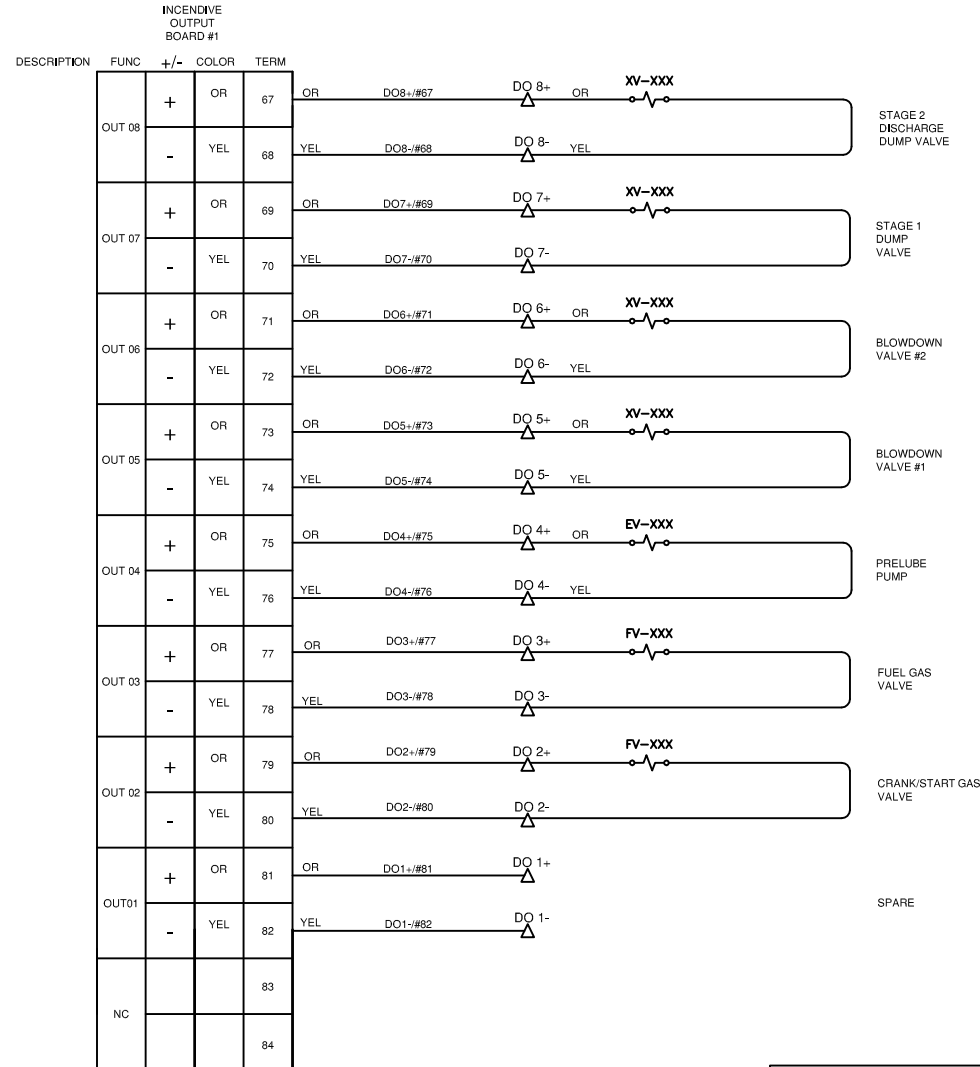
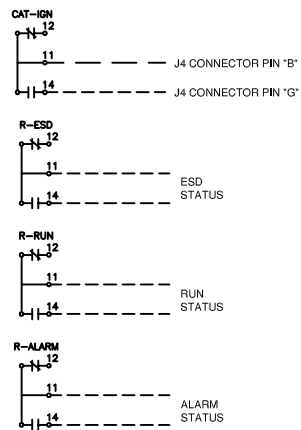
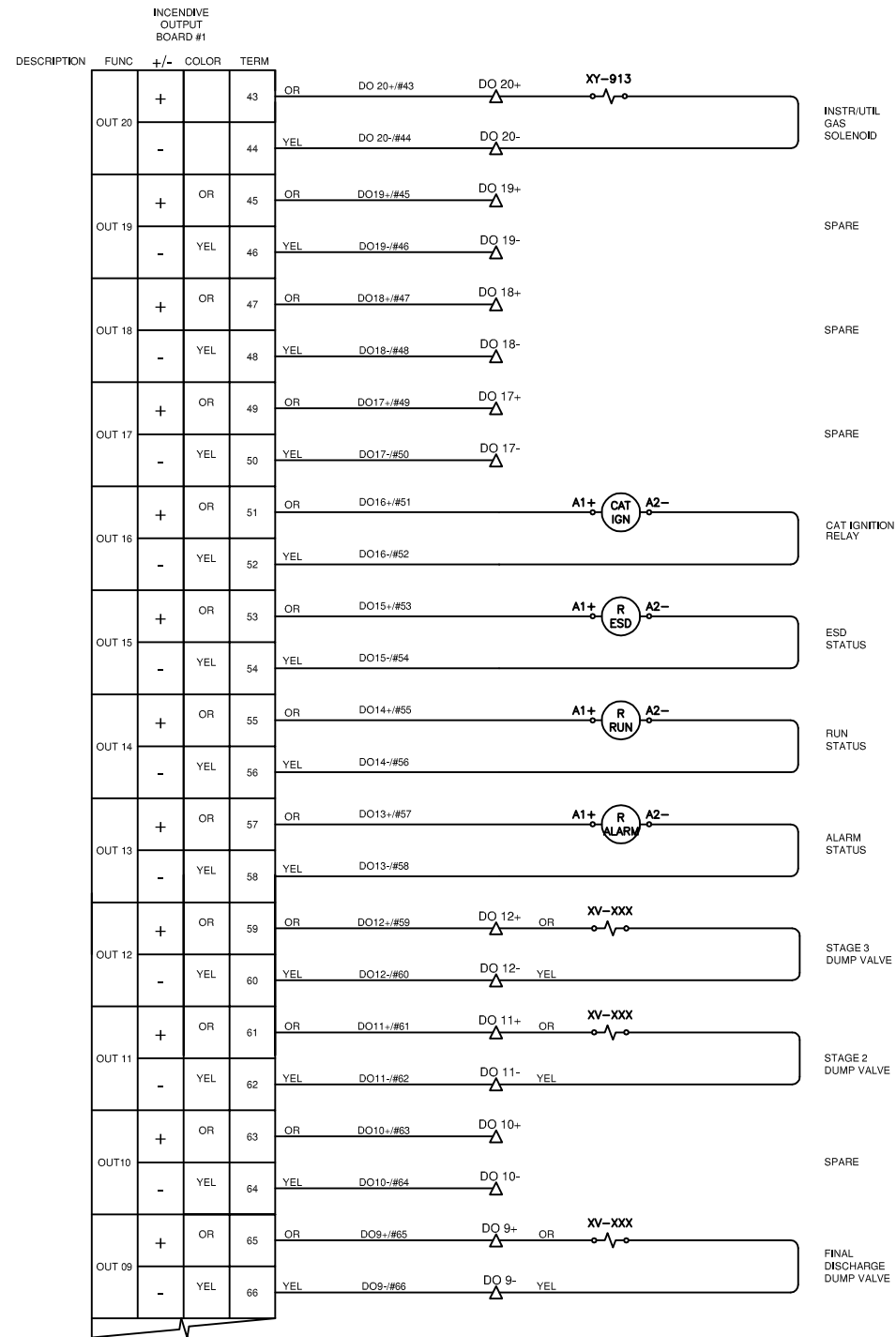
NOTES: 1. NOT FOR CUSTOMER USE.  
2. COMPLETE WITH POSITIONER.

LEGEND		WIRE COLOR LEGEND	
1. PANEL WIRING	—	1. +24VDC: RED	
2. FIELD WIRING	—	2. -24VDC: YELLOW	
3. UNFUSED TERMINAL	△	3. SWITCHED: ORANGE	
4. FUSED TERMINAL	△	4. ANALOG INPUT/OUTPUT - : BLACK	
5. FEED THROUGH TERMINAL	△	5. ANALOG INPUT/OUTPUT + : WHITE	
6. DISCONNECT TERMINAL	△	6. ANALOG LOOP: PURPLE	

Rev.	Soft Rev.	Revision Description	By	Date	Checked	Aprvd
2		PANEL SHOP AS BUILT	AK	01.05.2006	LH	
1		ISSUED FOR CONSTRUCTION	JM	20.03.2006	LH	

Project Title	FORT ENERGY C/O TRIDENT RC10417
Drawing Title	INCENDIVE OUTPUT BOARD #1 LAYOUT DRAWING

<h1>Syntech</h1>		Syntech Drawing Number	6190067B-10	1 of 1
		Customer Drawing Number	051125	NTS

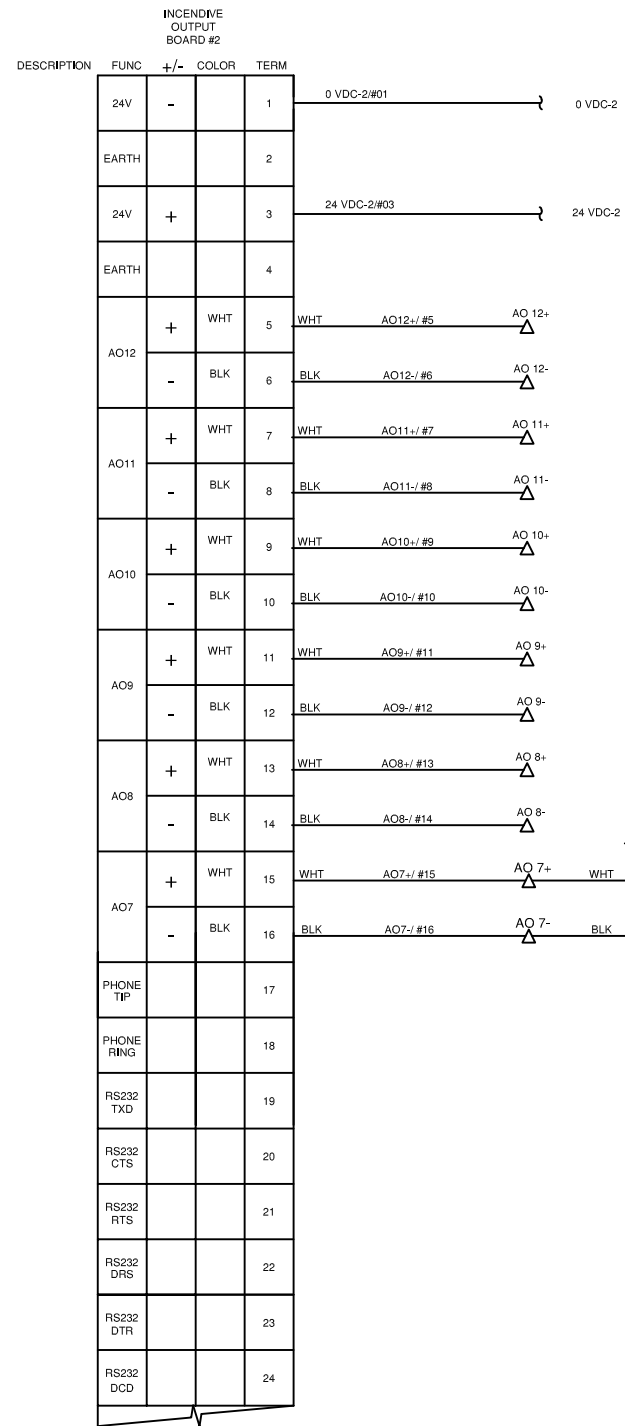


- LEGEND**
- 1. PANEL WIRING
  - 2. FIELD WIRING
  - 3. UNFUSED TERMINAL
  - 4. FUSED TERMINAL
  - 5. FEED THROUGH TERMINAL
  - 6. DISCONNECT TERMINAL
- WIRE COLOR LEGEND**
- 1. +24VDC: RED
  - 2. -24VDC: YELLOW
  - 3. SWITCHED: ORANGE
  - 4. ANALOG INPUT/OUTPUT -: BLACK
  - 5. ANALOG INPUT/OUTPUT +: WHITE
  - 6. ANALOG LOOP: PURPLE

Rev.	Soft Rev.	Revision Description	By	Date	Checked	Aprvd
2		PANEL SHOP AS BUILT	AK	01.05.2006	LH	
1		ISSUED FOR CONSTRUCTION	JM	20.03.2006	LH	

Project Title	FORT ENERGY C/O TRIDENT RC10417
Drawing Title	INCENDIVE OUTPUT BOARD #1 con't LAYOUT DRAWING

		Syntech Drawing Number	6190067B-11	1 of 1
		Customer Drawing Number	051125	NTS



SPARE

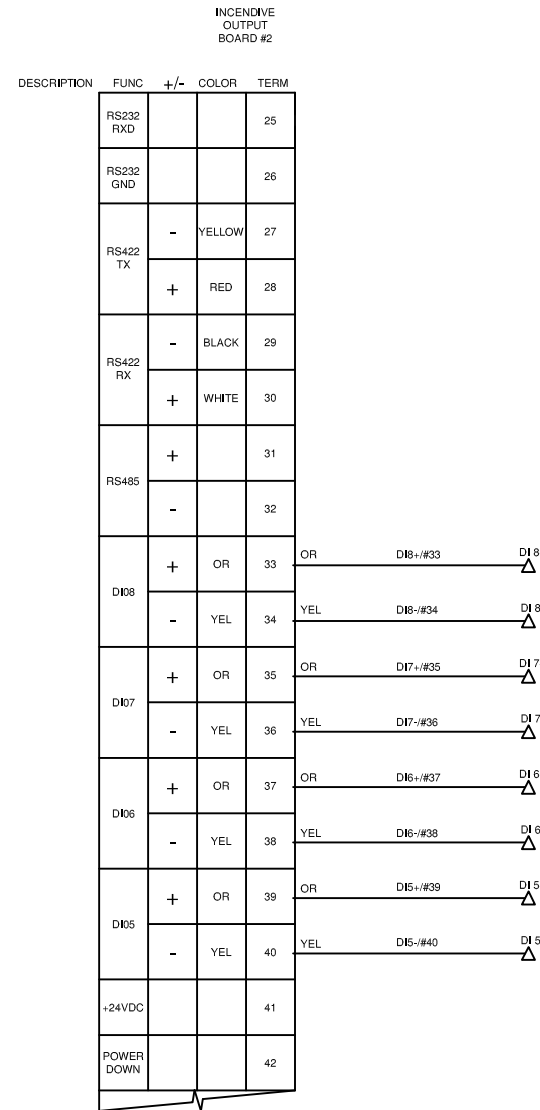
SPARE

SPARE

SPARE

SPARE

STAGE 3 BYPASS VALVE

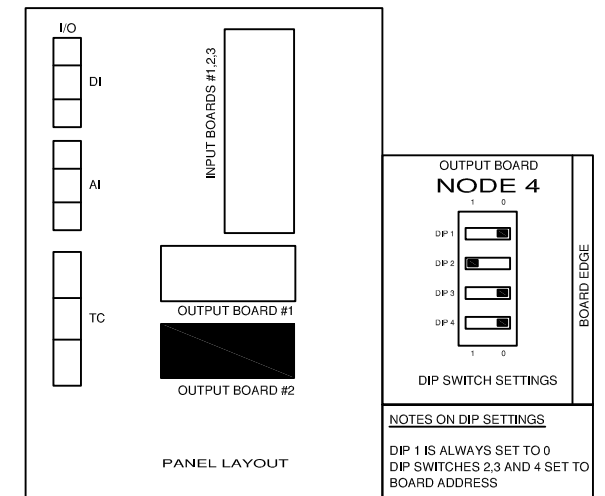


SPARE

SPARE

SPARE

SPARE

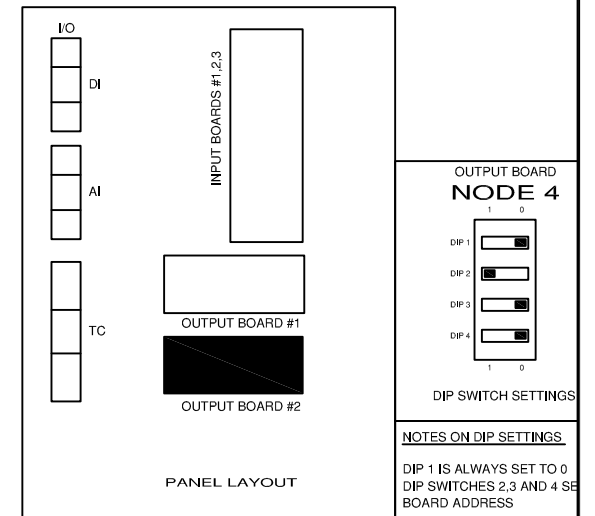
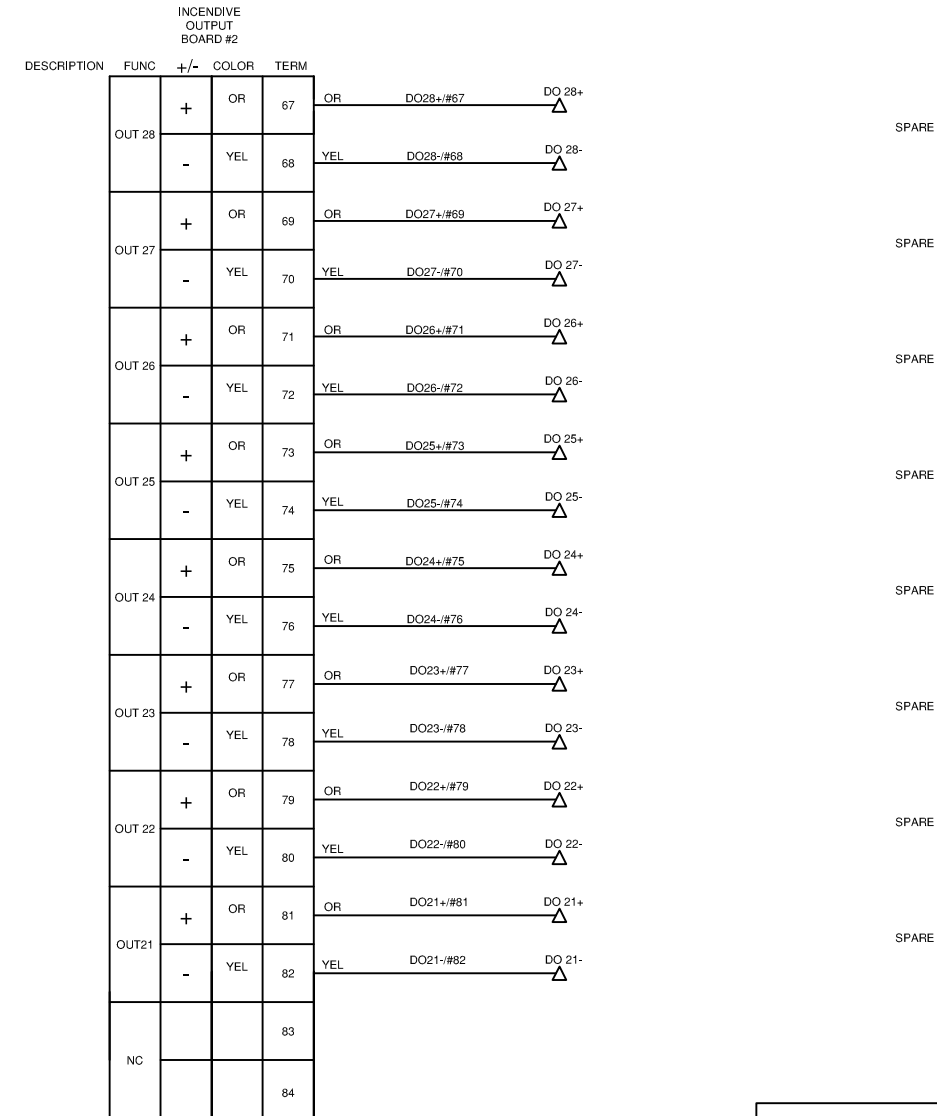
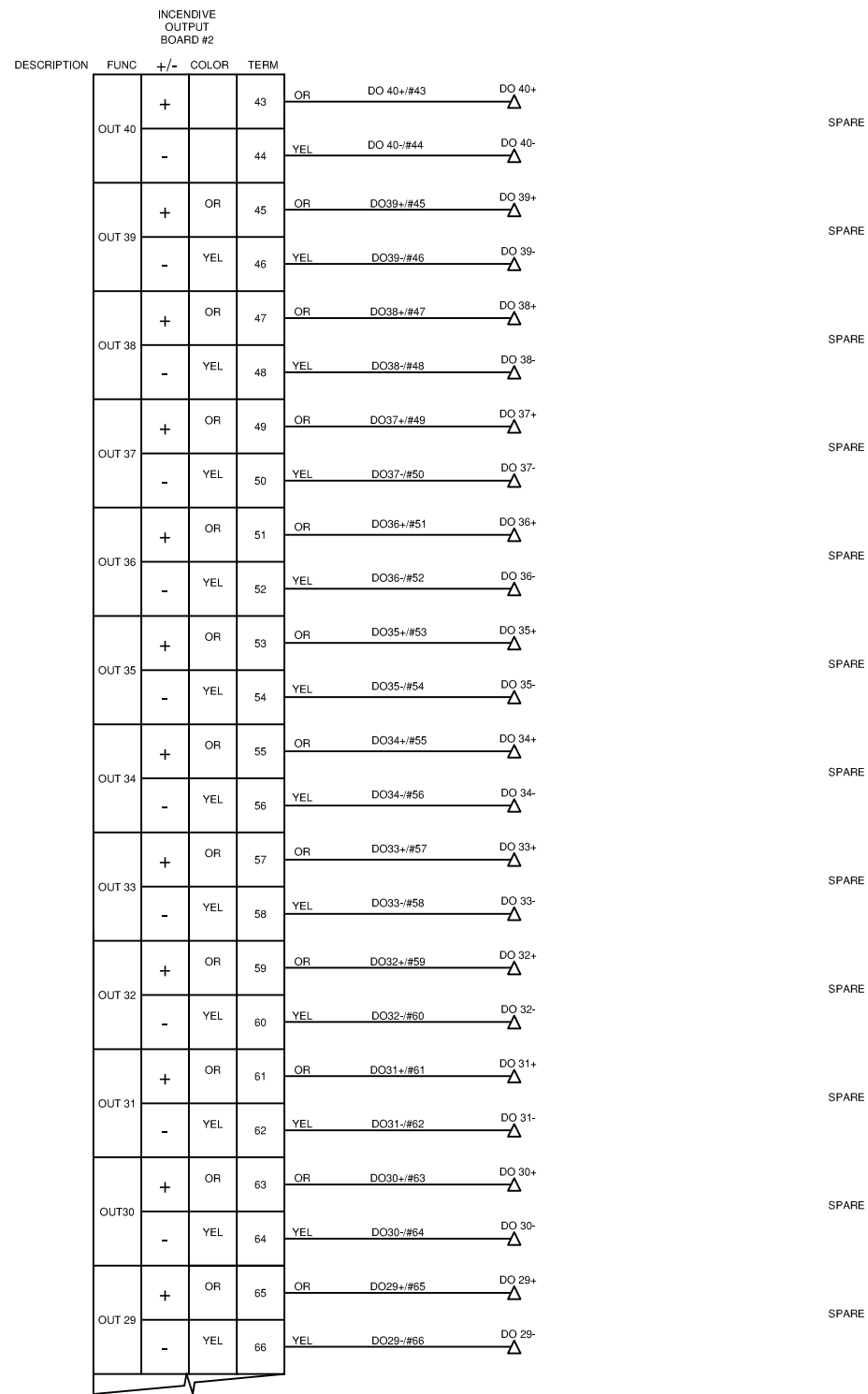


Rev.	Soft Rev.	Revision Description	By	Date	Checked	Aprvd
2		PANEL SHOP AS BUILT	AK	01.05.2006	LH	
1		ISSUED FOR CONSTRUCTION	JM	20.03.2006	LH	

Project Title							FORT ENERGY C/O TRIDENT RC10417		
Drawing Title							INCENDIVE OUTPUT BOARD #2 LAYOUT DRAWING		

<b>Syntech</b>		6190067B-12		1 of 1	
Syntech Drawing Number		6190067B-12		1 of 1	
Customer Drawing Number		051125		NTS	

THIS DRAWING IS DESIGNED ENTIRELY FOR USE BY SYNTECH AND IS SOLE PROPERTY OF SYNTECH WHICH ASSUMES NO LIABILITY FOR REPRODUCTION OF THE DRAWING CONTENTS.

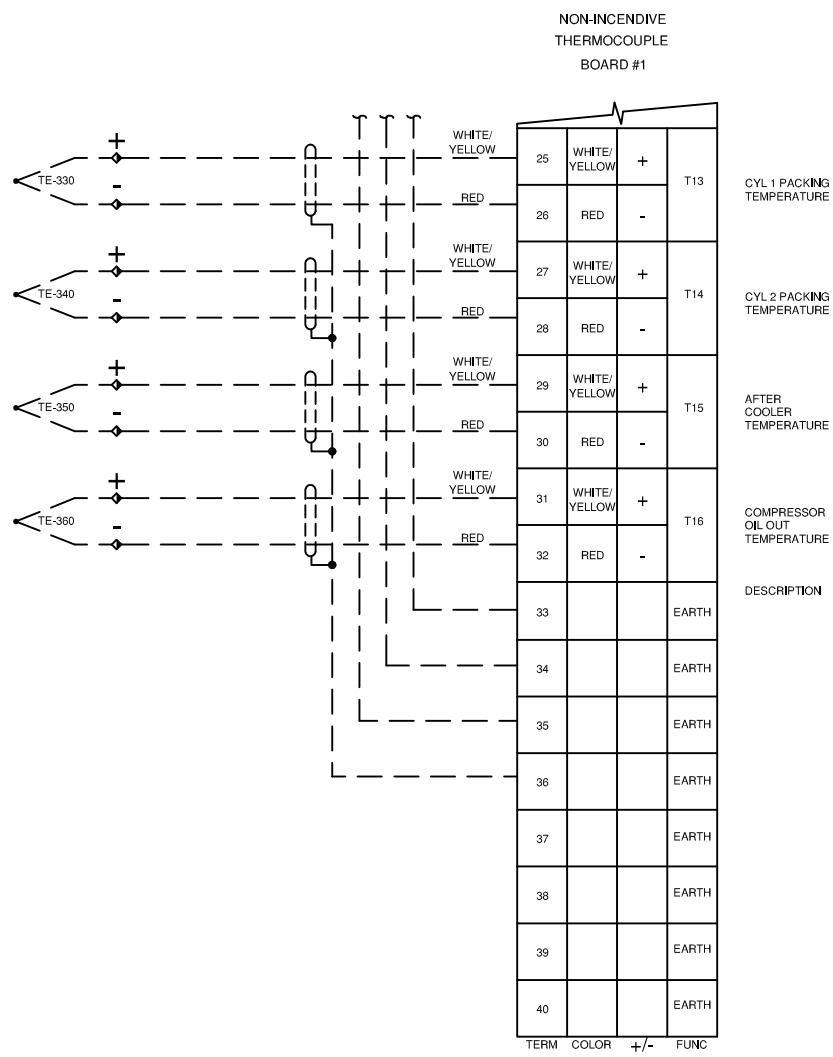
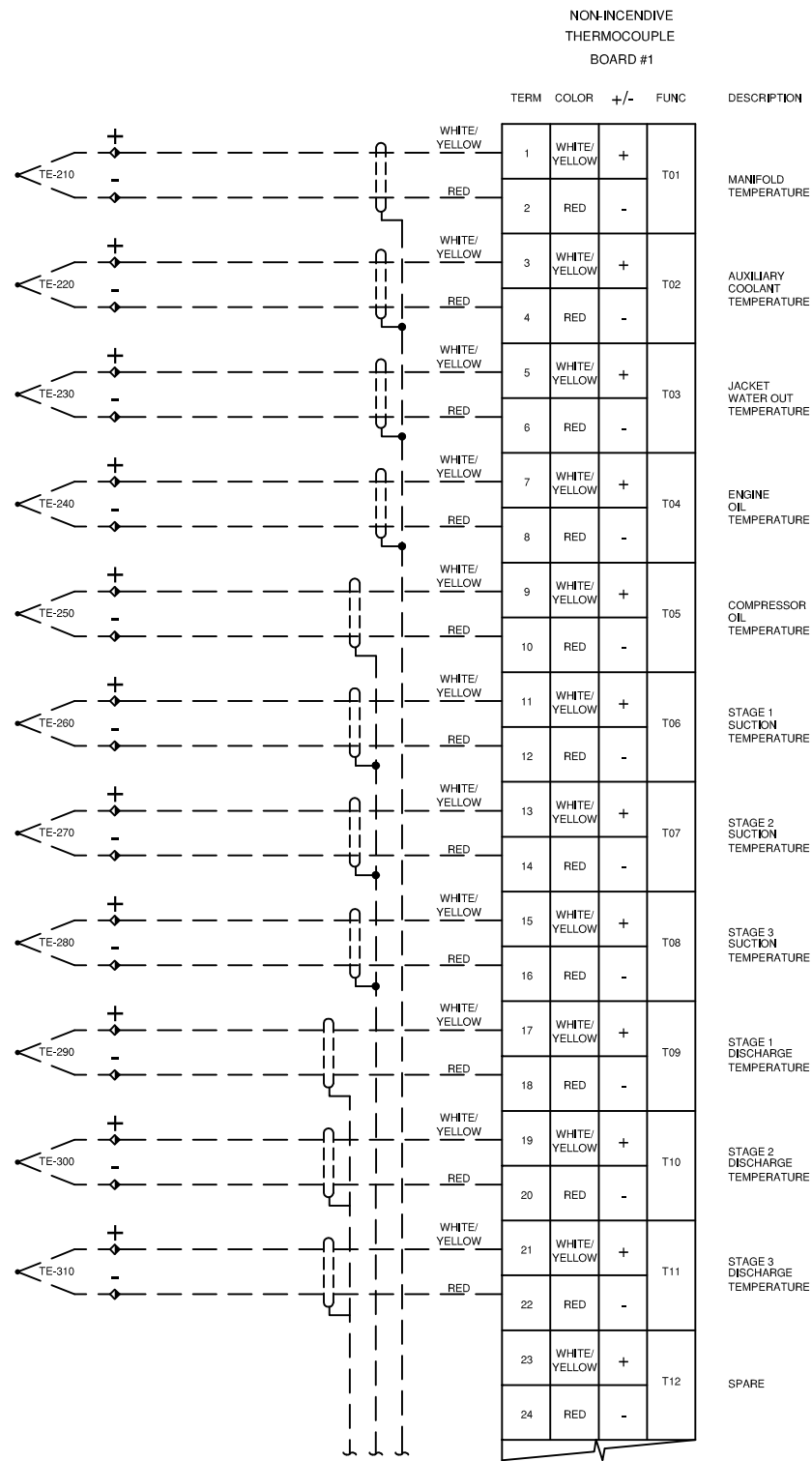


LEGEND		WIRE COLOR LEGEND	
1.	PANEL WIRING	1. +24VDC: RED	
2.	FIELD WIRING	2. -24VDC: YELLOW	
3.	UNFUSED TERMINAL	3. SWITCHED: ORANGE	
4.	FUSED TERMINAL	4. ANALOG INPUT/OUTPUT - : BLACK	
5.	FEED THROUGH TERMINAL	5. ANALOG INPUT/OUTPUT + : WHITE	
6.	DISCONNECT TERMINAL	6. ANALOG LOOP: PURPLE	

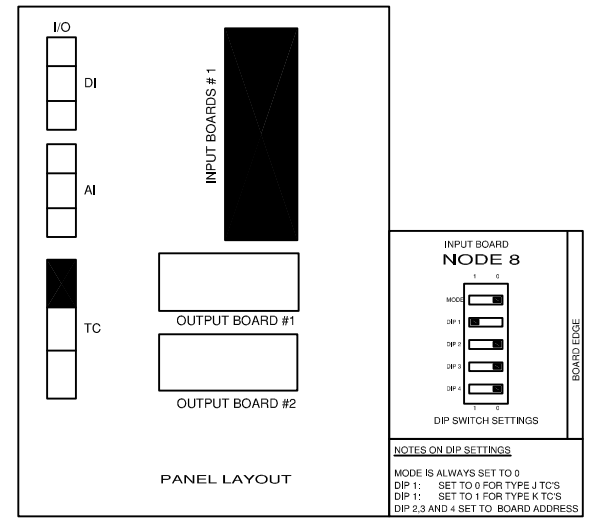
Rev.	Soft Rev.	Revision Description	By	Date	Checked	Aprvd
2		PANEL SHOP AS BUILT	AK	01.05.2006	LH	
1		ISSUED FOR CONSTRUCTION	JM	20.03.2006	LH	

Project Title	FORT ENERGY C/O TRIDENT RC10417
Drawing Title	INCENDIVE OUTPUT BOARD #2 con't LAYOUT DRAWING

<b>Syntech</b>		Syntech Drawing Number	6190067B-14	1 of 1
		Customer Drawing Number	051125	NTS



**THERMOCOUPLE FIELD WIRING**  
 K-TYPE: + = YELLOW  
 - = RED  
 J-TYPE: + = WHITE  
 - = RED



Rev.	Soft Rev.	Revision Description	By	Date	Checked	Aprvd
2		PANEL SHOP AS BUILT	AK	01.05.2006	LH	
1		ISSUED FOR CONSTRUCTION	JM	20.03.2006	LH	

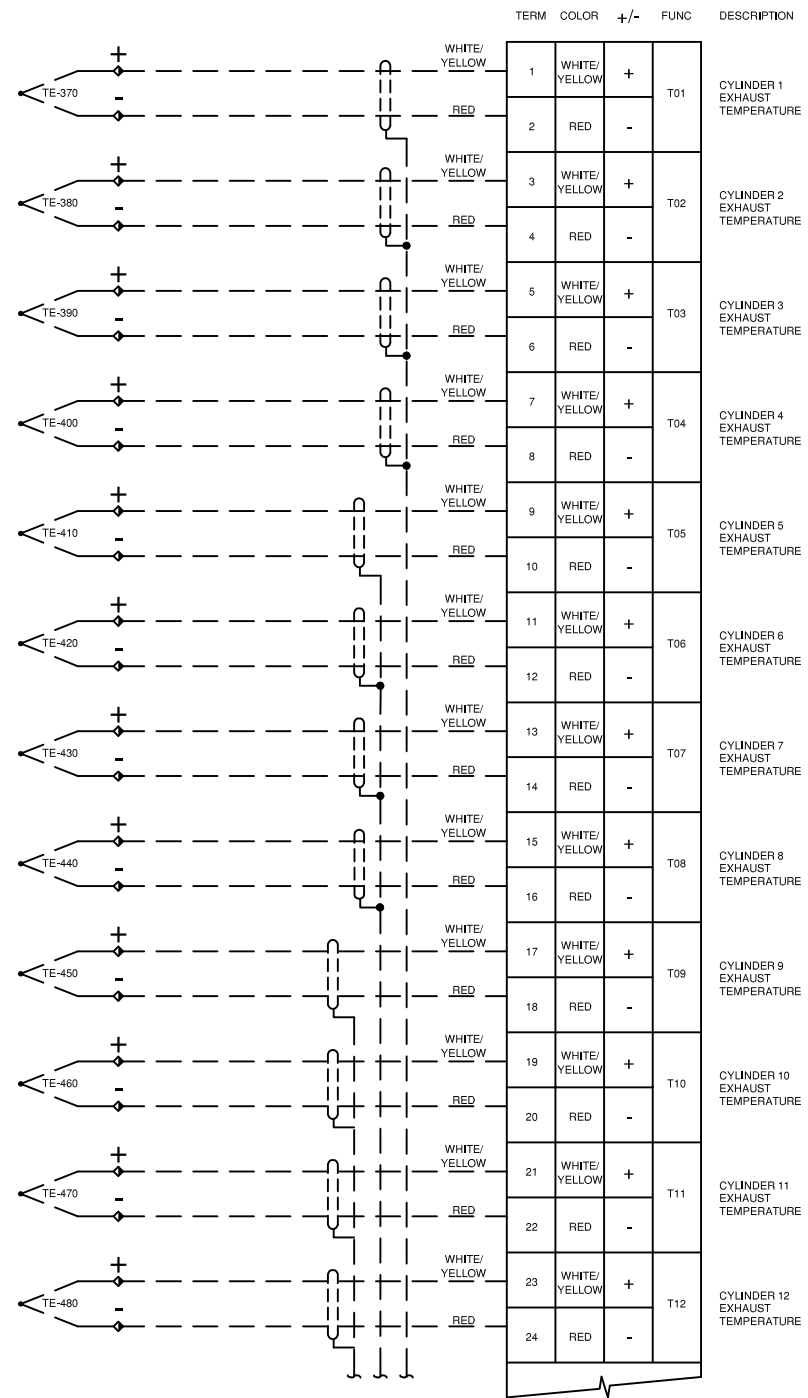
Project Title	FORT ENERGY C/O TRIDENT RC10417
Drawing Title	NON-INCENDIVE INPUT BOARD #1 THERMOCOUPLE LAYOUT DRAWING

Syntech Drawing Number	6190067B-15	1 of 1
Customer Drawing Number	051125	NTS

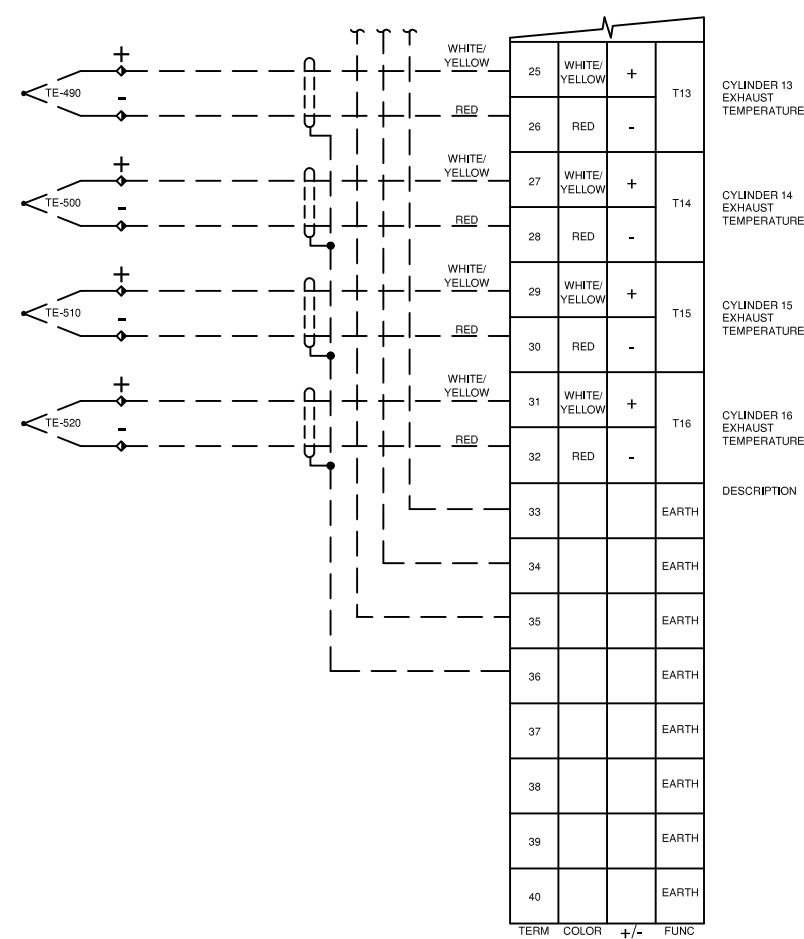
THIS DRAWING IS DESIGNED ENTIRELY FOR USE BY SYNTECH AND IS SOLE PROPERTY OF SYNTECH WHICH ASSUMES NO LIABILITY FOR REPRODUCTION OF THE DRAWING CONTENTS.



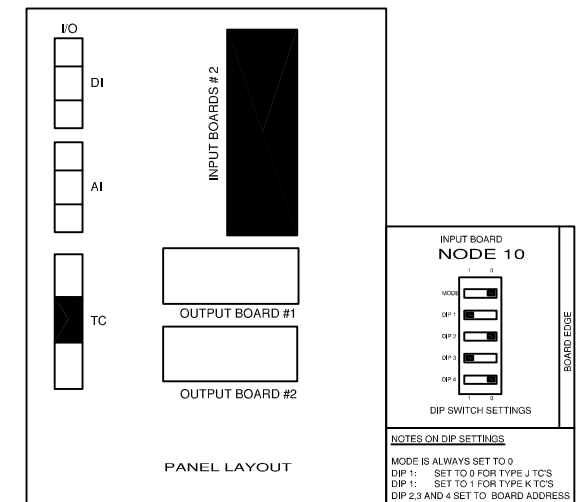
NON-INCENDIVE  
THERMOCOUPLE  
BOARD #2



NON-INCENDIVE  
THERMOCOUPLE  
BOARD #2



**THERMOCOUPLE FIELD WIRING**  
K-TYPE: += YELLOW  
          -= RED  
J-TYPE: += WHITE  
          -= RED



**LEGEND**

- 1. PANEL WIRING
- 2. FIELD WIRING
- 3. UNFUSED TERMINAL
- 4. FUSED TERMINAL
- 5. FEED THROUGH TERMINAL
- 6. DISCONNECT TERMINAL

**WIRE COLOR LEGEND**

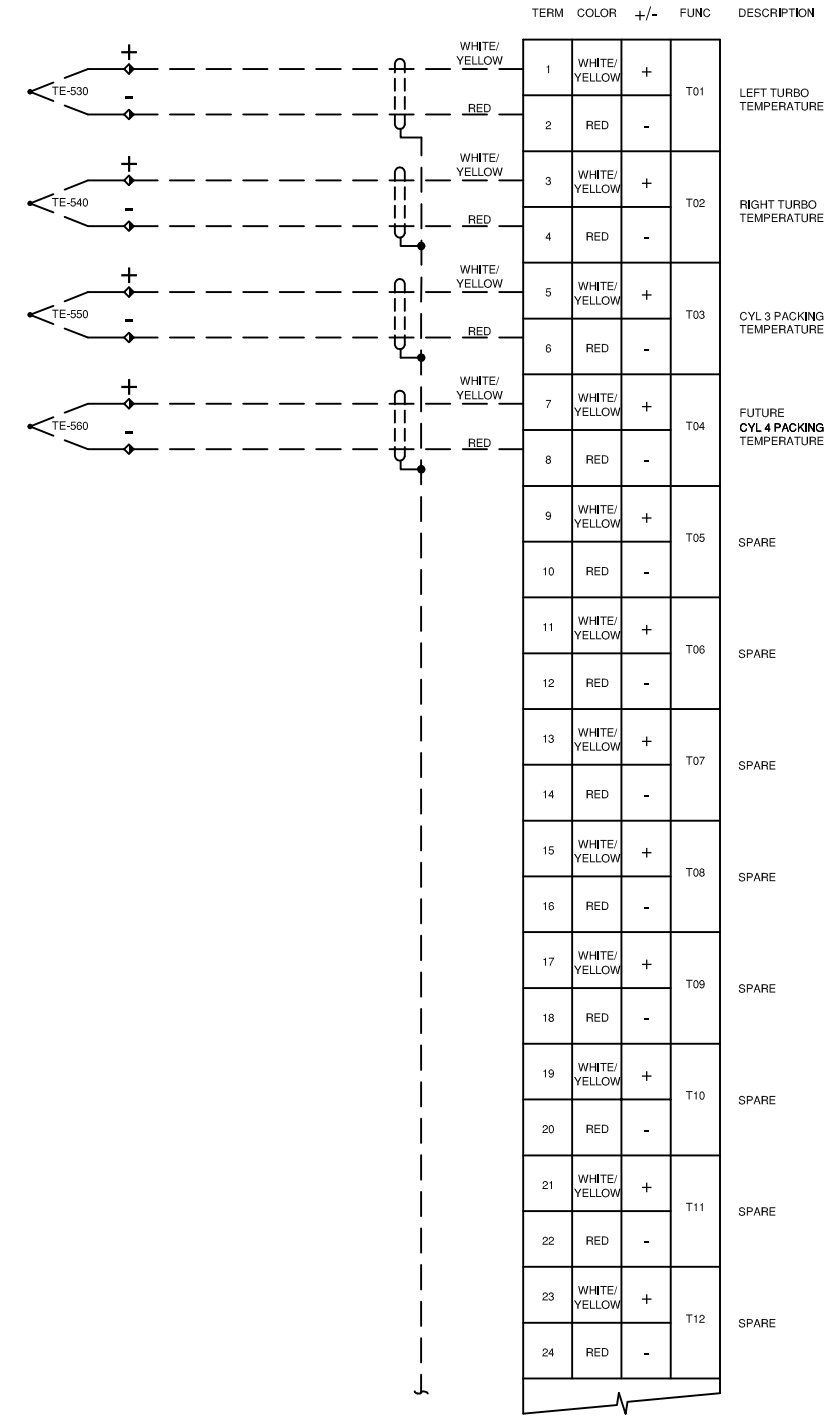
- 1. +24VDC: RED
- 2. -24VDC: YELLOW
- 3. SWITCHED: ORANGE
- 4. ANALOG INPUT/OUTPUT -: BLACK
- 5. ANALOG INPUT/OUTPUT +: WHITE
- 6. ANALOG LOOP: PURPLE

Rev.	Soft Rev.	Revision Description	By	Date	Checked	Aprvd
2		PANEL SHOP AS BUILT	AK	01.05.2006	LH	
1		ISSUED FOR CONSTRUCTION	JM	20.03.2006	LH	

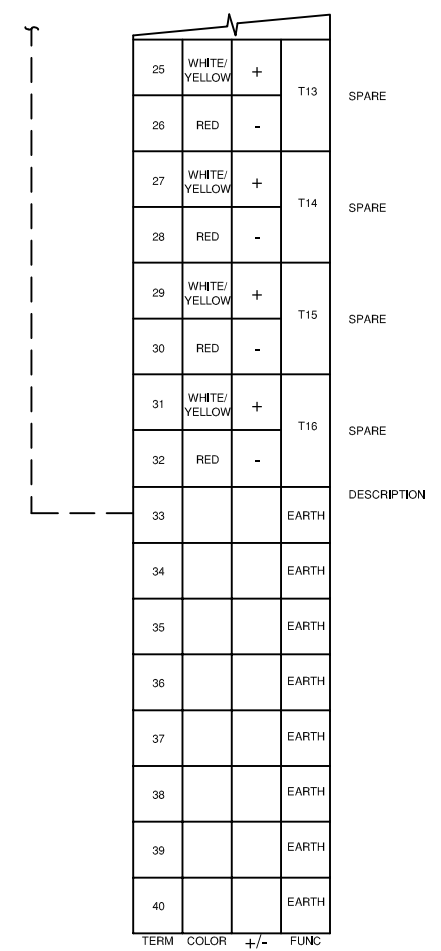
Project Title	FORT ENERGY C/O TRIDENT RC10417
Drawing Title	NON-INCENDIVE INPUT BOARD #2 THERMOCOUPLE LAYOUT DRAWING

		Syntech Drawing Number	6190067B-16	1 of 1
		Customer Drawing Number	050347	NTS

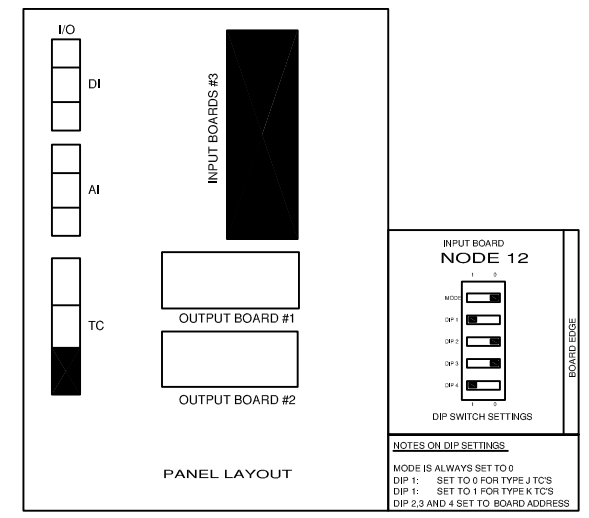
NON-INCENDIVE  
THERMOCOUPLE  
BOARD #3



NON-INCENDIVE  
THERMOCOUPLE  
BOARD #3



**THERMOCOUPLE FIELD WIRING**  
 K-TYPE: + = YELLOW  
 - = RED  
 J-TYPE: + = WHITE  
 - = RED



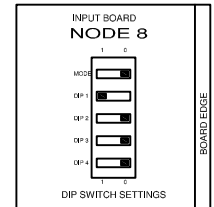
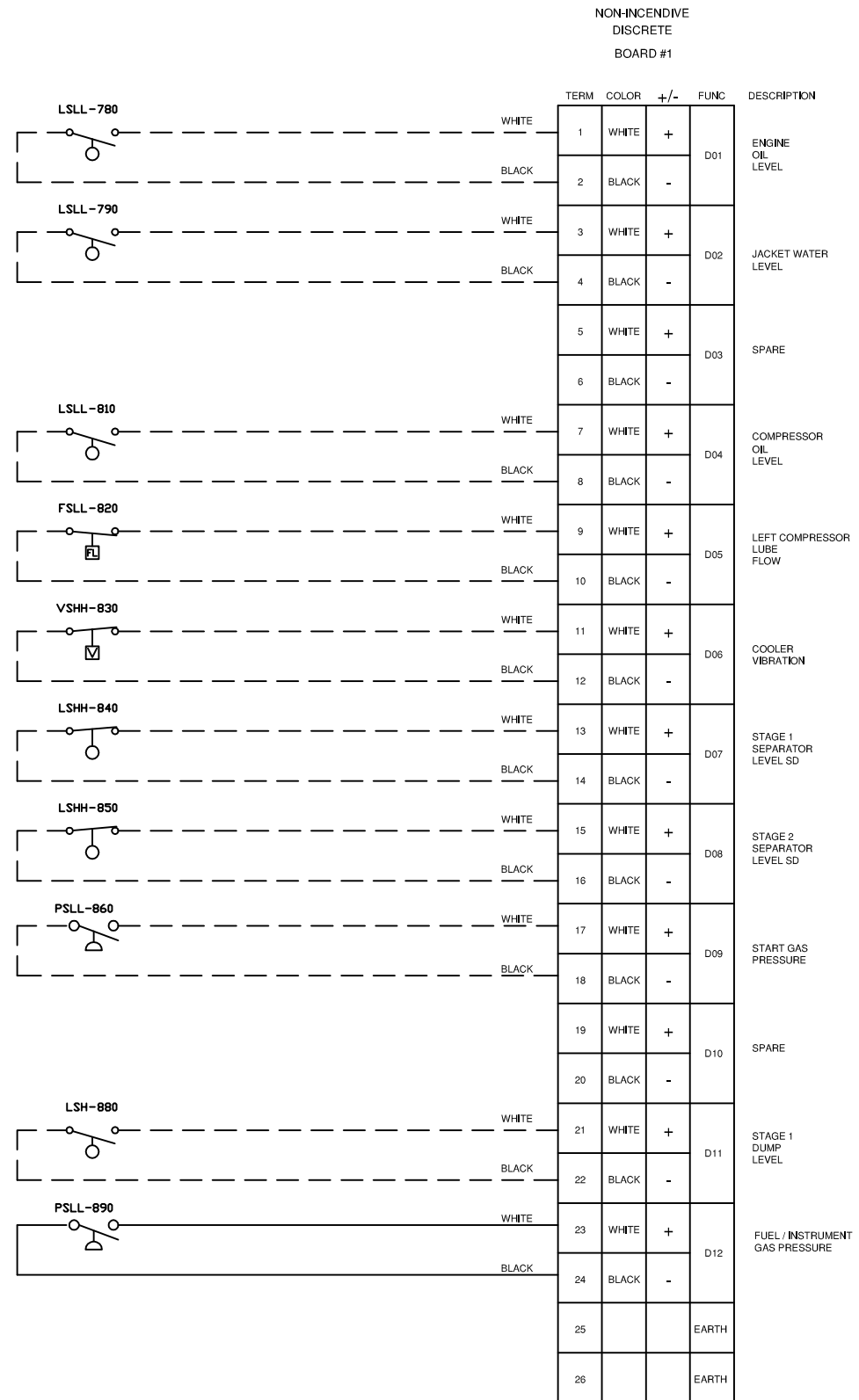
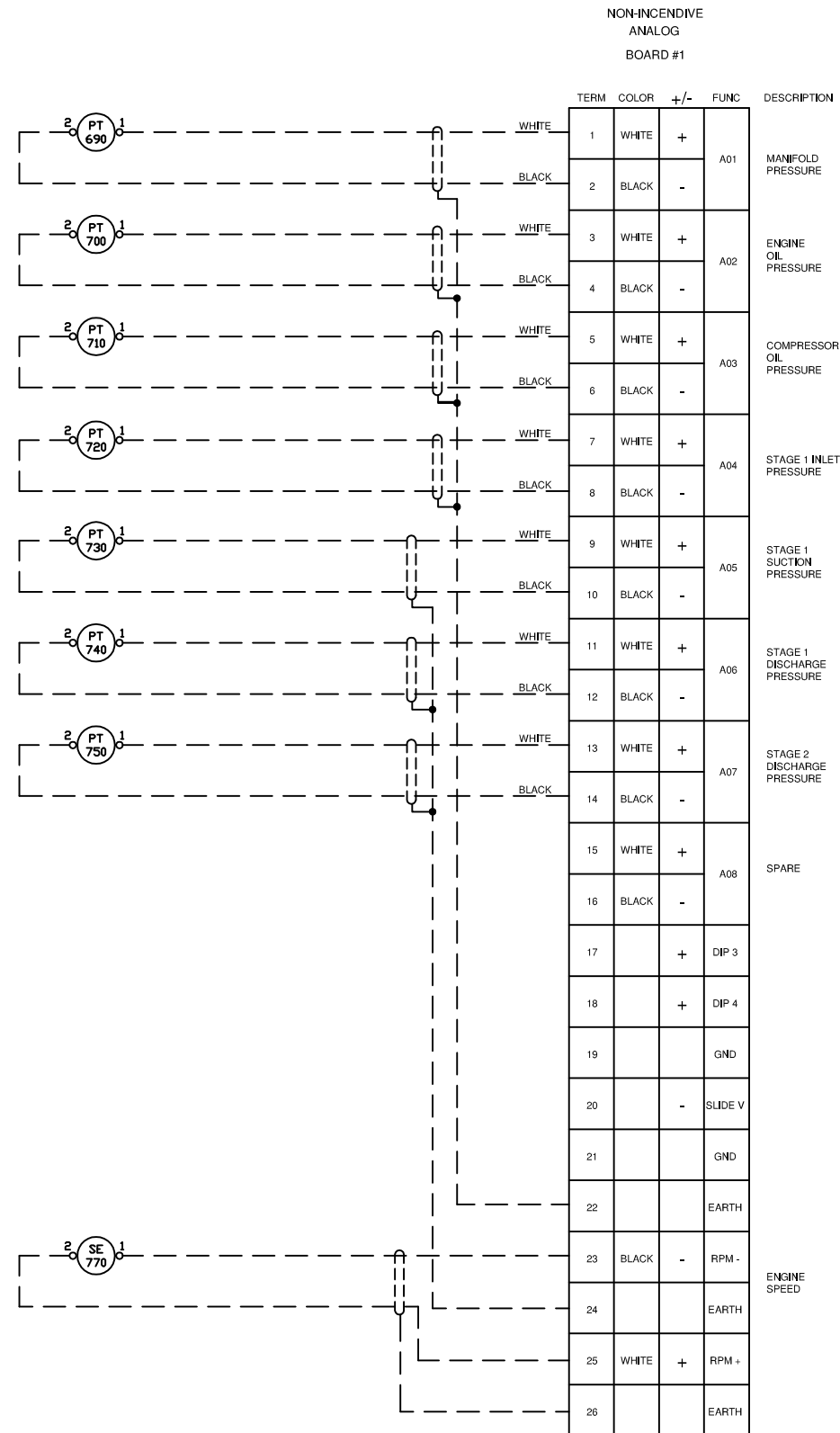
- LEGEND**
- 1. PANEL WIRING
  - 2. FIELD WIRING
  - 3. UNFUSED TERMINAL
  - 4. FUSED TERMINAL
  - 5. FEED THROUGH TERMINAL
  - 6. DISCONNECT TERMINAL
- WIRE COLOR LEGEND**
- 1. +24VDC: RED
  - 2. -24VDC: YELLOW
  - 3. SWITCHED: ORANGE
  - 4. ANALOG INPUT/OUTPUT -: BLACK
  - 5. ANALOG INPUT/OUTPUT +: WHITE
  - 6. ANALOG LOOP: PURPLE

Rev.	Soft Rev.	Revision Description	By	Date	Checked	Aprvd
2		PANEL SHOP AS BUILT	AK	01.05.2006	LH	
1		ISSUED FOR CONSTRUCTION	JM	20.03.2006	LH	

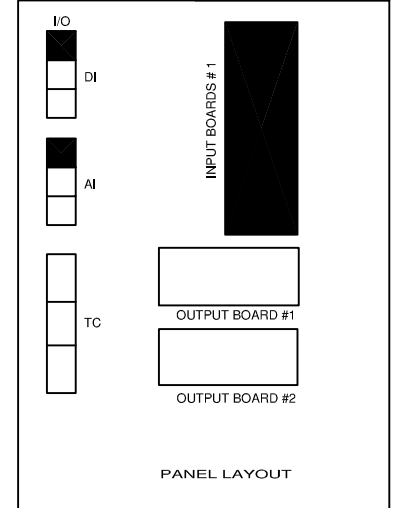
Project Title	FORT ENERGY C/O TRIDENT RC10417
Drawing Title	NON-INCENDIVE INPUT BOARD #3 THERMOCOUPLE LAYOUT DRAWING

**Syntech**

Syntech Drawing Number	6190067B-17	1 of 1
Customer Drawing Number	051125	NTS



**NOTES ON DIP SETTINGS**  
MODE IS ALWAYS SET TO 0  
DIP 1: SET TO 0 FOR TYPE J TC'S  
DIP 1: SET TO 1 FOR TYPE K TC'S  
DIP 2,3 AND 4 SET TO BOARD ADDRESS



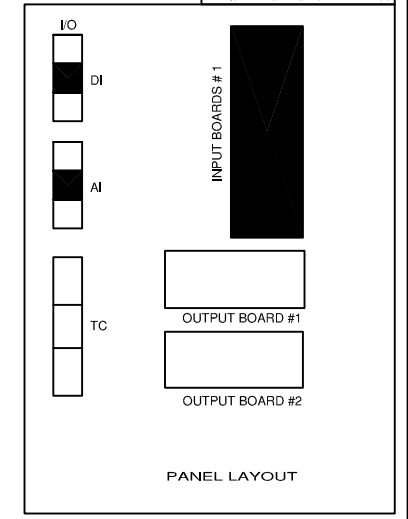
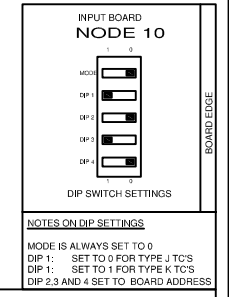
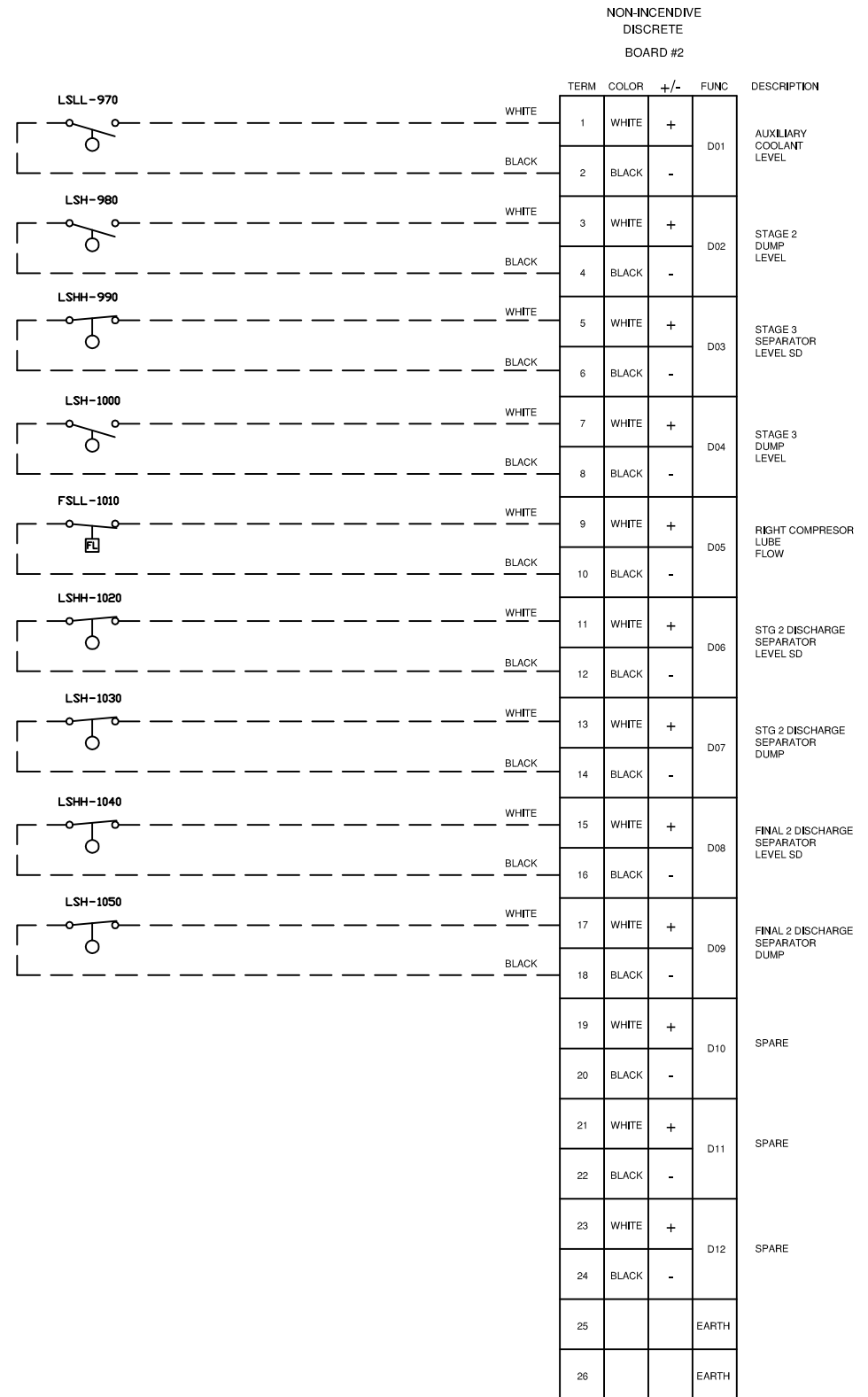
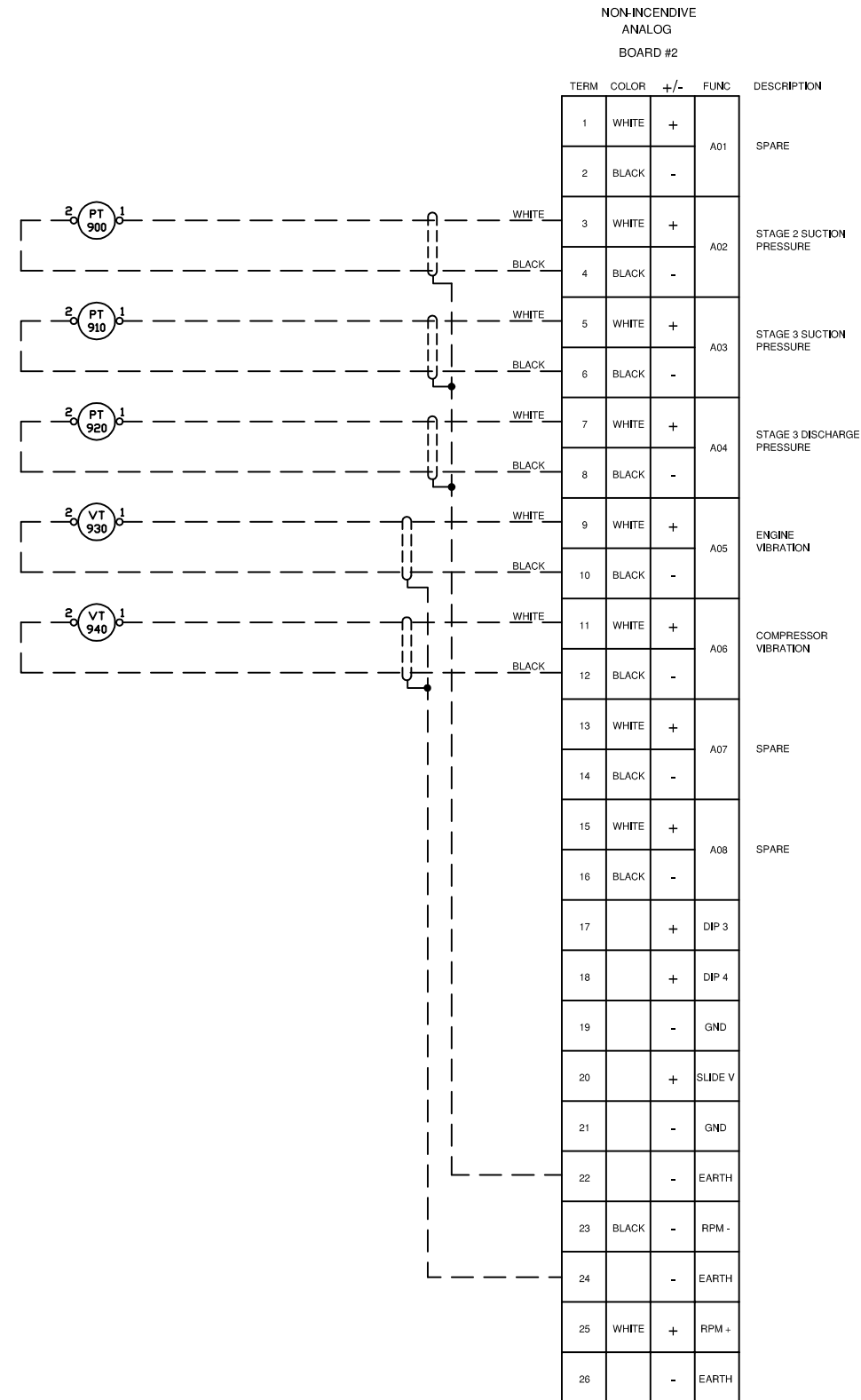
LEGEND		WIRE COLOR LEGEND	
1. —	PANEL WIRING	1. +24VDC: RED	
2. —	FIELD WIRING	2. -24VDC: YELLOW	
3. —	UNFUSED TERMINAL	3. SWITCHED: ORANGE	
4. —	FUSED TERMINAL	4. ANALOG INPUT/OUTPUT - : BLACK	
5. —	FEED THROUGH TERMINAL	5. ANALOG INPUT/OUTPUT + : WHITE	
6. —	DISCONNECT TERMINAL	6. ANALOG LOOP: PURPLE	

Rev.	Soft Rev.	Revision Description	By	Date	Checked	Aprvd
2		PANEL SHOP AS BUILT	AK	01.05.2006	LH	
1		ISSUED FOR CONSTRUCTION	JM	20.03.2006	LH	

Project Title	FORT ENERGY C/O TRIDENT RC10417	
Drawing Title	NON-INCENDIVE INPUT BOARD #1 ANALOG / DISCRETE LAYOUT DRAWING	

<h1>Syntech</h1>	
Syntech Drawing Number	6190067B-18
Customer Drawing Number	051125
1 of 1 NTS	

THIS DRAWING IS DESIGNED ENTIRELY FOR USE BY SYNTECH AND IS SOLE PROPERTY OF SYNTECH WHICH ASSUMES NO LIABILITY FOR REPRODUCTION OF THE DRAWING CONTENTS.



Rev.	Soft Rev.	Revision Description	By	Date	Checked	Aprvd
2		PANEL SHOP AS BUILT	AK	01.05.2006	LH	
1		ISSUED FOR CONSTRUCTION	JM	20.03.2006	LH	

Project Title		<b>FORT ENERGY C/O TRIDENT RC10417</b>	
Drawing Title		<b>NON-INCENDIVE INPUT BOARD #2 ANALOG / DISCRETE LAYOUT DRAWING</b>	

# Syntech

Syntech Drawing Number **6190067B-19** 1 of 1

Customer Drawing Number **051125** NTS

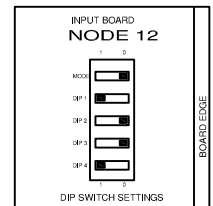
**THIS DRAWING IS DESIGNED ENTIRELY FOR USE BY SYNTECH AND IS SOLE PROPERTY OF SYNTECH WHICH ASSUMES NO LIABILITY FOR REPRODUCTION OF THE DRAWING CONTENTS.**

NON-INCENDIVE  
ANALOG  
BOARD #3

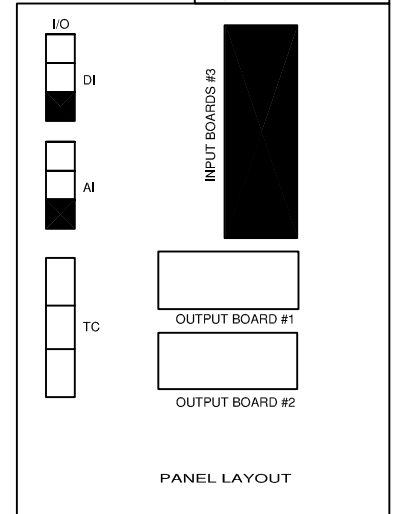
TERM	COLOR	+/-	FUNC	DESCRIPTION
1	WHITE	+	A01	SPARE
2	BLACK	-		
3	WHITE	+	A02	SPARE
4	BLACK	-		
5	WHITE	+	A03	SPARE
6	BLACK	-		
7	WHITE	+	A04	SPARE
8	BLACK	-		
9	WHITE	+	A05	SPARE
10	BLACK	-		
11	WHITE	+	A06	SPARE
12	BLACK	-		
13	WHITE	+	A07	SPARE
14	BLACK	-		
15	WHITE	+	A08	SPARE
16	BLACK	-		
17		+	DIP 3	
18		+	DIP 4	
19		-	GND	
20		+	SLIDE V	
21		-	GND	
22		-	EARTH	
23	BLACK	-	RPM -	
24		-	EARTH	
25	WHITE	+	RPM +	
26		-	EARTH	

NON-INCENDIVE  
DISCRETE  
BOARD #3

TERM	COLOR	+/-	FUNC	DESCRIPTION
1	WHITE	+	D01	SPARE
2	BLACK	-		
3	WHITE	+	D02	SPARE
4	BLACK	-		
5	WHITE	+	D03	SPARE
6	BLACK	-		
7	WHITE	+	D04	SPARE
8	BLACK	-		
9	WHITE	+	D05	SPARE
10	BLACK	-		
11	WHITE	+	D06	SPARE
12	BLACK	-		
13	WHITE	+	D07	SPARE
14	BLACK	-		
15	WHITE	+	D08	SPARE
16	BLACK	-		
17	WHITE	+	D09	SPARE
18	BLACK	-		
19	WHITE	+	D10	SPARE
20	BLACK	-		
21	WHITE	+	D11	SPARE
22	BLACK	-		
23	WHITE	+	D12	SPARE
24	BLACK	-		
25			EARTH	
26			EARTH	



NOTES ON DIP SETTINGS  
MODE IS ALWAYS SET TO 0  
DIP 1: SET TO 0 FOR TYPE J TC'S  
DIP 1: SET TO 1 FOR TYPE K TC'S  
DIP 2,3 AND 4 SET TO BOARD ADDRESS



LEGEND

- 1. PANEL WIRING
- 2. FIELD WIRING
- 3. UNFUSED TERMINAL
- 4. FUSED TERMINAL
- 5. FEED THROUGH TERMINAL
- 6. DISCONNECT TERMINAL

WIRE COLOR LEGEND

- 1. +24VDC: RED
- 2. -24VDC: YELLOW
- 3. SWITCHED: ORANGE
- 4. ANALOG INPUT/OUTPUT -: BLACK
- 5. ANALOG INPUT/OUTPUT +: WHITE
- 6. ANALOG LOOP: PURPLE

Rev.	Soft Rev.	Revision Description	By	Date	Checked	Aprvd
2		PANEL SHOP AS BUILT	AK	01.05.2006	LH	
1		ISSUED FOR CONSTRUCTION	JM	20.03.2006	LH	

Project Title	FORT ENERGY C/O TRIDENT RC10417
Drawing Title	NON-INCENDIVE INPUT BOARD #3 ANALOG / DISCRETE LAYOUT DRAWING

Syntech	Drawing Number	6190067B-20
	Customer Drawing Number	051125
		NTS