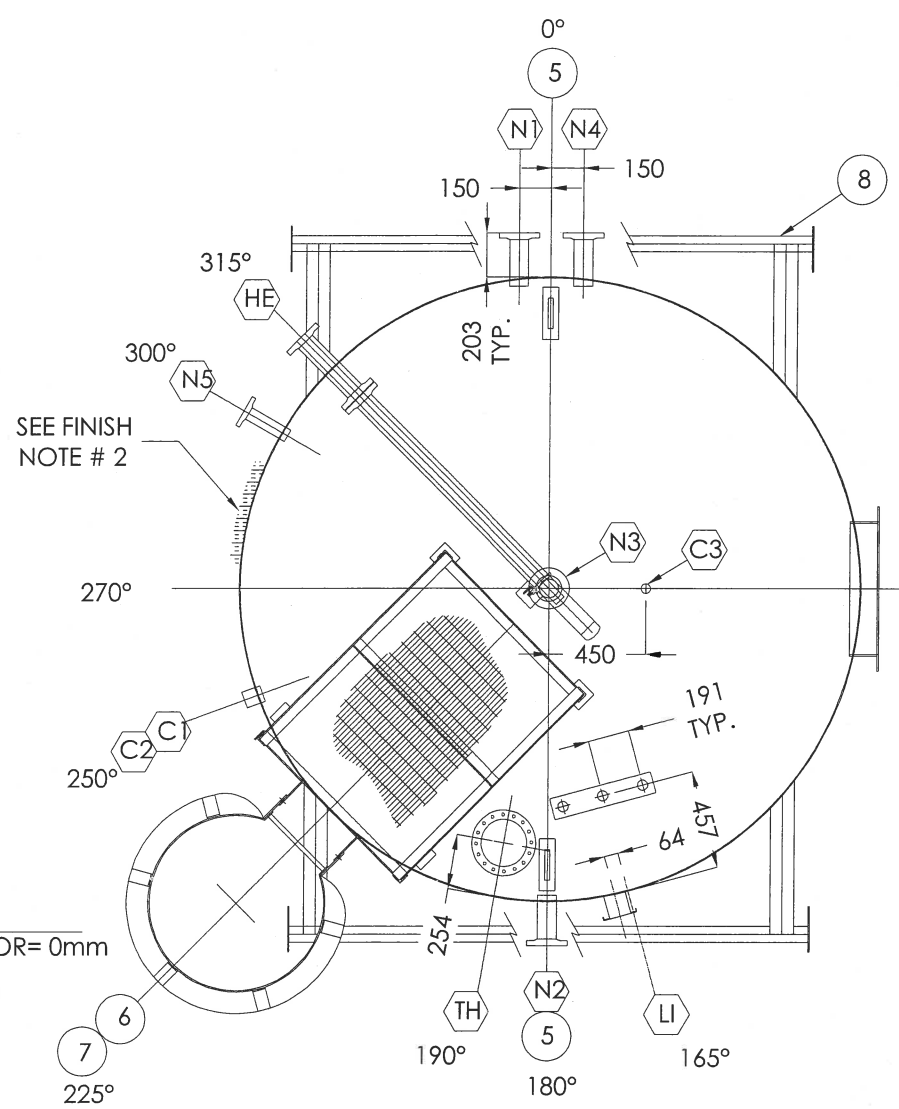


ELEVATION



ORIENTATION

BILL OF MATERIALS

MARK	QTY	MATL	DESCRIPTION	SERVICE
1	1	A36	6.4 PL. x 2946 DIA. FLAT BOTTOM	
2	1	A36	4.8 PL. x 2438 x 9073 LG. SHELLS	
3	1	A36	4.8 PL. x 2918 DIA. CONED ROOF (1:12 SLOPE)	
4	1		NAMEPLATE AND BRACKET	
5	2	A36	ROOF MOUNTED LIFT LUGS	
6	1	A36	CAGE LADDER c/w 1405 EXTENSION (SEE SHT. B-12935-CL FOR DETAILS)	
7	1	A36	ROOF PLATFORM (SEE SHT. B-12935-RP FOR DETAILS)	
8	1	A36	100 BBL BASE SKID (SEE SHT. B-12935-SK FOR DETAILS)	
M1	1	A36	610x914 (24"x36") RECT. MANWAY (FLUSH w/ FLOOR)	
	1	A36	762x1066 RECTANGULAR SPLIT MANWAY COVER c/w HANDLES	
TH	1		219 DIA (8") ENARDO 330 SWEET SERVICE THIEF HATCH SET @ 16 OZ. PRESSURE / 0.4 OZ. VACUUM	
	1		219 DIA. (8") ARGO FAB. THIEF HATCH EXTENSION	
LI	2	316SS	42 DIA. (1-1/4") 3000# NPT FULL CPLG.	LEVEL INDICATOR
	1	316SS	48 DIA. (1-1/2") 3000# NPT FULL CPLG.	
	1		ROADSIDE MODEL GAUGE BOARD/ FLOAT SYSTEM c/w GAUGE BOARD BRACKET (ARGO TO INSTALL BRACKETS & ANCHORS ONLY, GAUGE SYSTEM SUPPLIED & INSTALLED BY OTHERS) GAUGE BRACKET TO BE TRIMMED WIDTH TO 121mm	
C1	1	316SS	60 DIA. (2") 3000# NPT FULL CPLG x 89 LG. w/ PLUG	HLSD
C2	1	316SS	60 DIA. (2") 3000# NPT FULL CPLG x 89 LG. w/ PLUG	LLSD
C3	1	316SS	33 DIA. (1") 3000# NPT FULL CPLG. x 102 LG.	BLANKET GAS
N1	1	A105	89 DIA. (3") 150# RFSO FLG.	OUTLET
	1	A106	89 DIA. (3") STD. SMLS PIPE x 231 LG.	
N2	1	A105	89 DIA. (3") 150# RFSO FLG.	DRAIN/ TRUCK OUT
	1	A106	89 DIA. (3") STD. SMLS PIPE x 218 LG.	
N3	1	A105	89 DIA. (3") 150# RFSO FLG.	VENT
	1	A106	89 DIA. (3") STD. SMLS PIPE x 222 LG.	
N4	1	A105	89 DIA. (3") 150# RFSO FLG.	SPARE
	1	A106	89 DIA. (3") STD. SMLS PIPE x 231 LG.	
N5	1	A105	60 DIA. (2") 150# RFSO FLG.	TIT
	1	A106	60 DIA. (2") STD. SMLS PIPE x 218 LG.	
HE	2	A105	89 DIA. (3") 150# RFSO FLG.	HEATER
	1	A106	89 DIA. (3") STD. SMLS PIPE x 355 LG. (SEE SHT. B-12935-D1 FOR DETAILS)	

MARK		PROJECTIONS		ELEV.	ORIE.	NOTES
EXT.	INT.					
C1	64mm	--	2133mm	250°	HLSD	
C2	64mm	--	610mm	250°	LLSD	
C3	76mm	--	ROOF	90°	BLANKET GAS	
LI	76mm	--	ROOF	165°	LI	
N1	211mm	25mm	294mm	0°	INLET	
N2	203mm	25mm	127mm	180°	DRAIN/TRUCK OUT	
N3	203mm	25mm	ROOF	ROOF	VENT	
N4	211mm	25mm	294mm	0°	SPARE	
N5	203mm	25mm	305mm	300°	TIT	
HE	203mm	152mm	305mm	315°	HEATER	

**DESIGN NOTES**

- TANK TO BE BUILT AND TESTED TO API-12F SPEC. **MODIFIED** (NON LABELED)
- TANK TO BE AIR/SOAP LEAK TESTED TO **12 OZ./ SQ. IN.**
- ROOF/SHELL JOINTS NOT TO BE BACKWELDED TO MEET API-2000 SPECS
- ESTIMATED SHIPPING WEIGHT = 5500 LBS. (2495 KG)
- REFER TO ORIENTATION DRAWING FOR PROPER LOCATION OF ALL NOZZLES, COUPLINGS, ETC.
- ALL DIMENSIONS ARE IN mm.
- ALL ELEVATIONS TAKEN FROM TOP OF TANK FLOOR
- CAGE LADDER AND ROOF PLATFORM TO BE SHIPPED LOOSE.
- RECORD MATERIAL HEAT NUMBERS AND MTRS.**
- BOLT HOLES TO STRADDLE PRIMARY CENTERLINES
- IMMERSION HEATER TO BE SHIPPED LOOSE.**
- ROADSIDE GAUGE SYSTEM TO BE SUPPLIED AND INSTALLED BY OTHERS.

**INTERNAL & EXTERNAL FINISH**

- INTERNAL FINISH**  
NO INTERNAL FINISH
- EXTERNAL FINISH**  
BLAST: SSPC-SP6 COMMERCIAL BLAST USING SIL 7 SAND  
PRIMER: 1.5 - 2.0 MILS DFT OF CLOVERDALE TOWER OR RUSTEX #71024 GRAY  
INSULATION: 2" MINERAL WOOL INSULATION & 0.20" SMOOTH CORRUGATED ALUMINUM CLADDING c/w 3/4" STAINLESS STEEL BANDING. **COLOR: STONE GRAY**  
PAINT: ALL PROJECTIONS, 1.5 - 2.0 MILS DFT OF CLOVERDALE MARINE ENAMEL- **COLOR STONE GRAY**
- BOTTOM FINISH**  
BLAST: SSPC-SP6 COMMERCIAL BLAST  
COATING: 15 - 20 MILS DFT OF COAL TAR EPOXY

**REVISIONS**

NO.	DESCRIPTION	BY	DATE
1	ISSUED FOR FABRICATION	CY	10.24.05
0	ISSUED FOR REVIEW / APPROVAL	CY	10.11.05

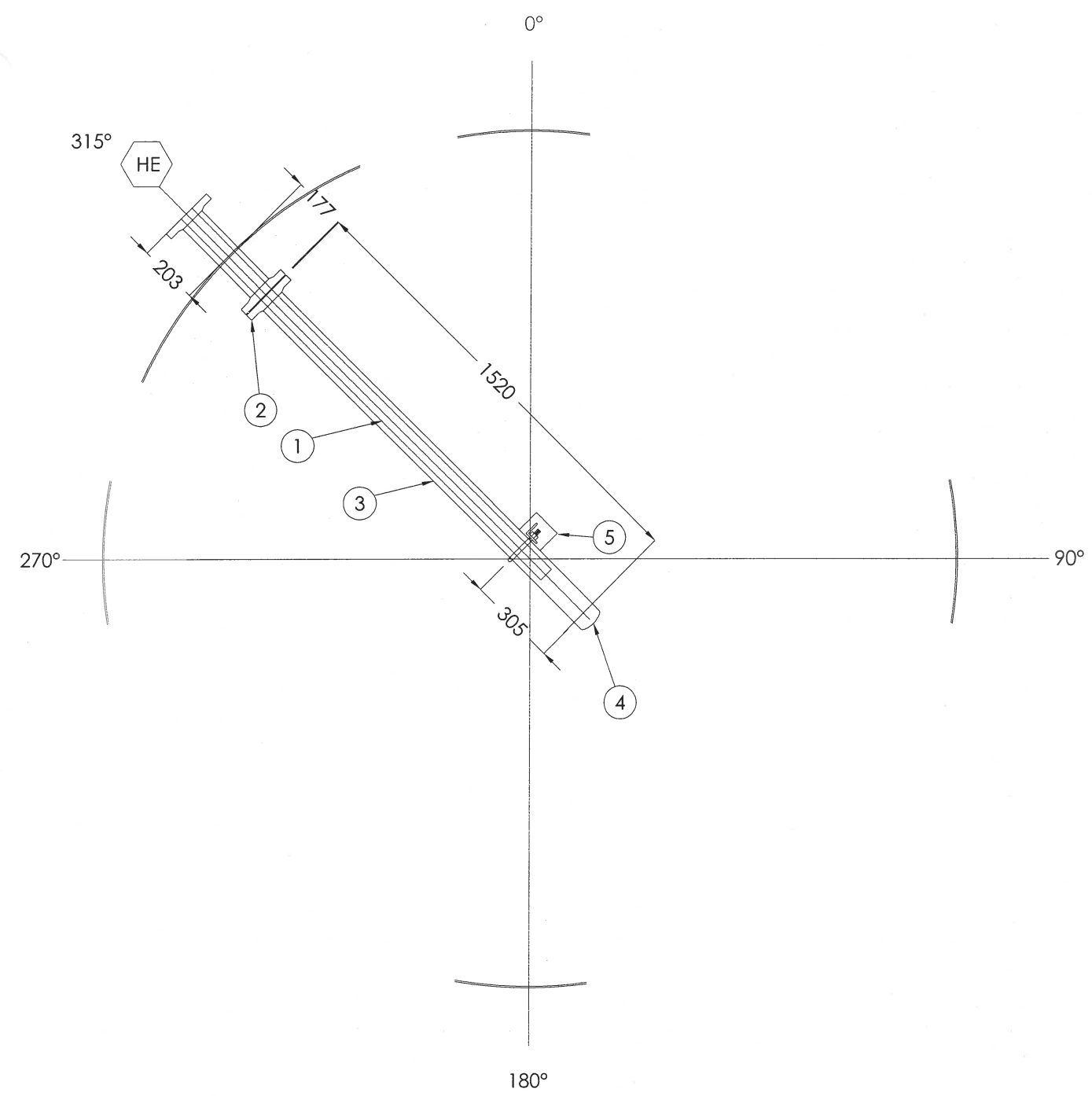
CUSTOMER: FORT ENERGY CORPORATION c/o BDR ENGINEERING LTD.  
RPO# 54000-18 Rev. 0  
LOCATION: L.S.D. 07-25-62-06-W5M (SANDHILLS GAS PLANT)

TITLE: ONE (1) 16 CU. M. (100 BBL)  
2896 DIA. x 2438 HIGH  
BASE-SKIDDED AMINE DRAIN TANK

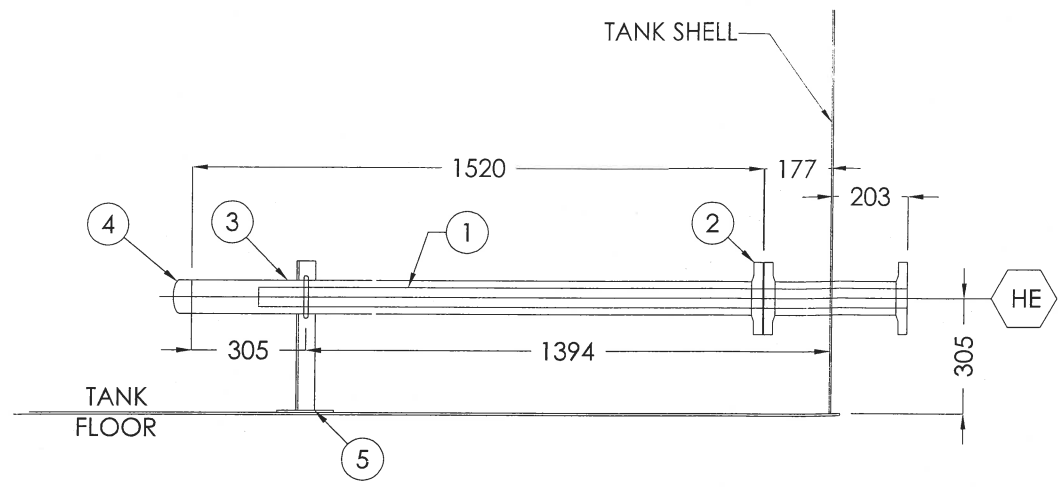
APPROVED BY:	CHECKED BY:	DRAWN BY:	CY
DATE: 10.11.05	TAG #: T-706	DRAWING #: B-12935	REV. 1
SHEET: 1 OF 5	SCALE: NTS	SERIAL #: 12935	

ARGO SALES LTD.

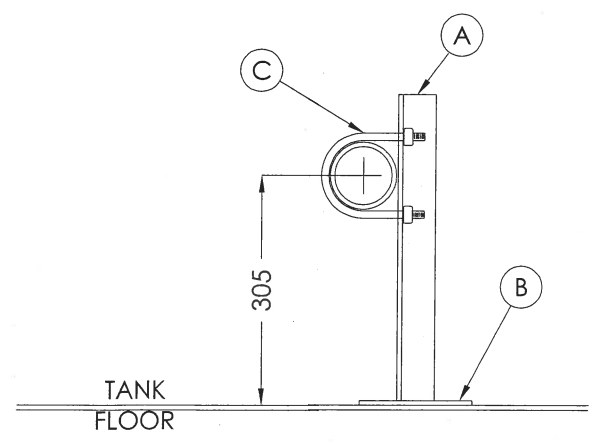
FORT ENERGY CORPORATION c/o BDR ENGINEERING LTD. CUSTOMER: 100 BBL SKIDDED STORAGE TANK TITLE: TQ05-436D QUOTE #:



**IMMERSION HEATER WELL ORIENTATION**



**IMMERSION HEATER WELL ELEVATION**



**SUPPORT BRACKET DETAIL**

**BILL OF MATERIALS**

MARK	QTY	MAT'L	DESCRIPTION	SERVICE
<b>HE- IMMERSION HEATER WELL</b>				
HE	2	A105	89 DIA. (3") 150# RF50 FLANGE	
	1	A106	89 DIA. (3") STD. SMLS x 355 LG.	
1	1		1727 LG. (68") PIPE-INSERT <b>(SEE DESIGN NOTE #2)</b>	
2	1	A105	89 DIA. (3") 150# RF50 FLANGE	
3	1	A106	89 DIA. (3") STD. SMLS x 1505 LG.	
4	1	A106	89 DIA. (3") STD. SCH. 40 WELD CAP	
5	1		SUPPORT BRACKET (SEE DETAIL THIS SHT.)	
<b>HEATER WELL SUPPORT BRACKET</b>				
A	1	A36	6.4 x 51 x 51 ANGLE x LG. TO BE SHOP DETERMINED	
B	1	A36	6.4 x 100 x 100 BASEPLATE	
C	1	A36	89 DIA. (3") U-BOLT c/w NUTS	

NOZZLES				NOTES
MARK	PROJECTIONS	ELEV.		
	EXT.	INT.		
HE	203mm	152mm	305mm	HEATER

**DESIGN NOTES**

1. ALL DIMENSIONS ARE IN mm.

**2. PIPE INSERT IMMERSION HEATER:**

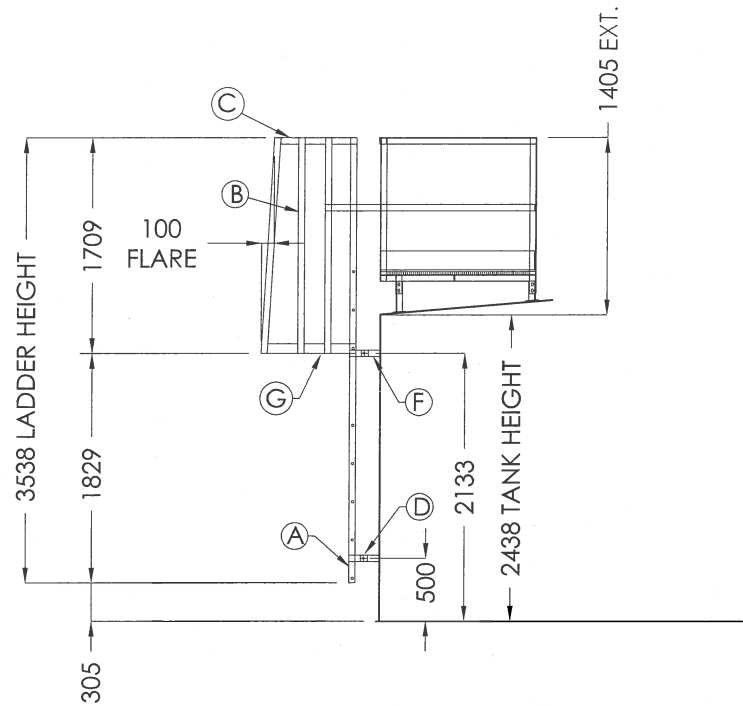
- MODEL # MXI303F368TX 480V 3Φ 3KW
- 3" 150 # FLANGE
- 68" INSERT LENGTH
- EXPLOSION PROOF TERMINAL BOX
- 300°F TO 700°F PILOT DUTY CYCLING HIGH LIMIT
- 3" HEATER WELL (CARBON STEEL) c/w FLOOR SUPPORTS

INTERNAL & EXTERNAL FINISH			
REVISIONS			
NO.	DESCRIPTION	BY	DATE
1	ISSUED FOR FABRICATION	CY	10.24.05
0	ISSUED FOR REVIEW / APPROVAL	CY	10.11.05

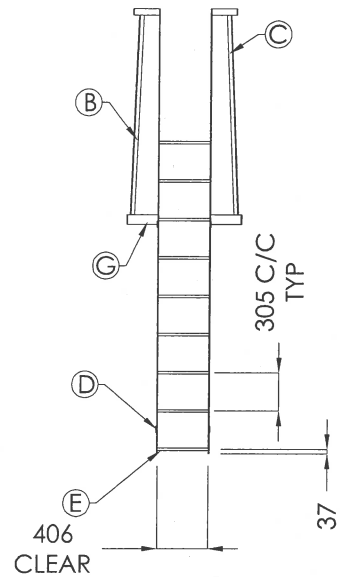
**CUSTOMER:** FORT ENERGY CORPORATION c/o BDR ENGINEERING LTD.  
R.P.O# 54000-18 REV. 0  
LOCATION: LSD 07-25-62-06-W5M (SANDHILLS GAS PLANT)

NOZZLE DETAILS			
APPROVED BY:	CHECKED BY:	DRAWN BY:	CY
DATE: 10.11.05	TAG #: T-706	DRAWING#: B-12935_D1	REV. 1
SHEET: 2 of 5	SCALE: NTS	SERIAL#: 12935	

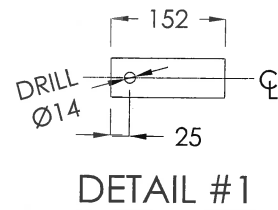




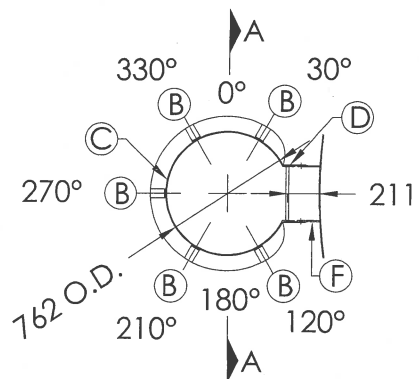
ELEVATION



SECTION A-A



DETAIL #1



ORIENTATION



SAFETY CAGE/PLATFORM ELEVATION

BILL OF MATERIALS

MARK	QTY	MAT'L	DESCRIPTION	SERVICE
A	2	A36	6.4 THK x 50 FLAT BAR x 3538 LG.	
B	5	A36	6.4 THK x 45 FLAT BAR x 1709 LG.	
C	1	A36	6.4 THK x 50 FLAT BAR x 2143 LG. ROUND TO 762Ø	
D	4	A36	6.4 THK x 50 FLAT BAR x 153 LG. (SEE DETAIL #1)	
			WELD TO LADDER	
E	9	A36	19Ø (3/4") ROUND BAR x 419 LG. (LADDER RUNGS)	
F	4	A36	6.4 THK x 50 FLAT BAR x 153 LG. (SEE DETAIL #1)	
			WELD TO TANK SHELL	
G	1	A36	6.4 THK x 76 FLAT BAR x 2676 LG. ROUND TO 1018Ø	

CUSTOMER: FORT ENERGY CORPORATION c/o BDR ENGINEERING LTD.

TITLE: - 100 BBL CAGE LADDER -

NOZZLES			
MARK	PROJ.	ELEV.	NOTES

DESIGN NOTES

1. ALL DIMENSIONS ARE IN mm

INTERNAL & EXTERNAL FINISH

1. LADDER FINISH  
 BLAST: SSPC-SP6 COMMERCIAL BLAST  
 PRIMED: 1.5 - 2.0 MILS OF CLOVERDALE TOWER OF RUSTEX #71024 GRAY  
 PAINTED: 1.5 - 2.0 MILS OF CLOVERDALE MARINE ENAMEL, COLOR- STONE GRAY

CUSTOMER: FORT ENERGY CORPORATION c/o BDR ENGINEERING LTD.  
 RPO# 54000-18 Rev. 0  
 LOCATION: L.S.D. 07-25-62-06-W5M (SANDHILLS GAS PLANT)

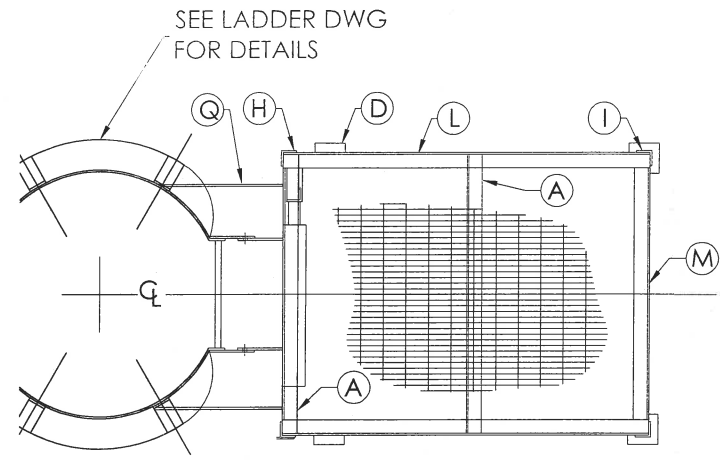
TITLE: ONE (1) 16 CU. M. (100 BBL)  
 2896 DIA. x 2438 HIGH  
 - 100 BBL CAGE LADDER -

REVISIONS

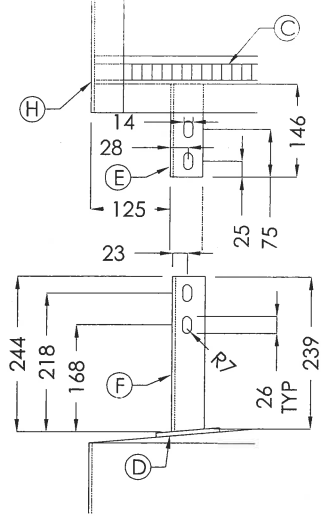
NO.	DESCRIPTION	BY	DATE
1	ISSUED FOR FABRICATION	CY	10.24.05
0	ISSUED FOR REVIEW / APPROVAL	CY	10.11.05

APPROVED BY: CHECKED BY: DATE: 10.11.05 TAG #: T-706 DRAWN BY: CY DRAWING #: B-12935\_CL SERIAL #: 12935 SCALE: NTS

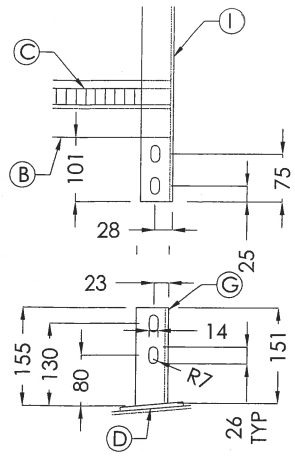
TITLE: TQ05-436D QUOTE #:



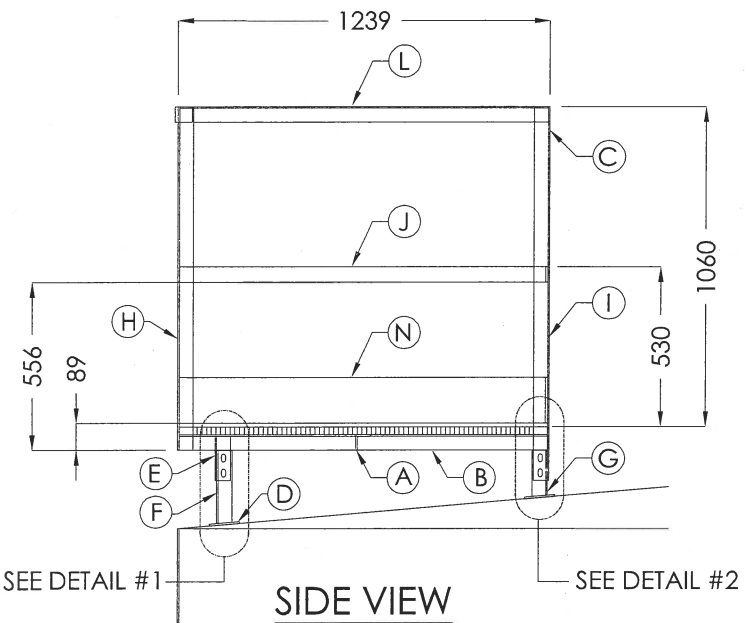
TOP VIEW



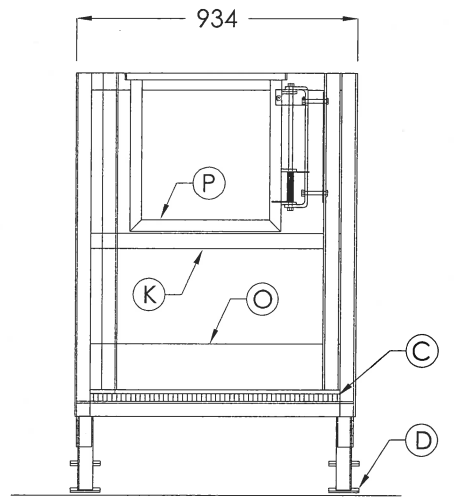
DETAIL #1



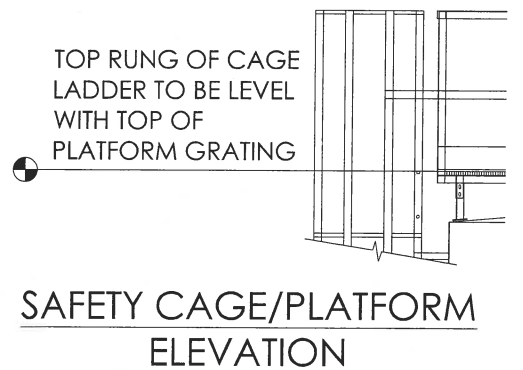
DETAIL #2



SIDE VIEW



END VIEW



SAFETY CAGE/PLATFORM ELEVATION

BILL OF MATERIALS

MARK	QTY	MAT'L	DESCRIPTION	SERVICE
A	3	A36	51 x 51 x 6.4 ANGLE 922 LG. (COPE TO FIT)	
B	2	A36	51 x 51 x 6.4 ANGLE IRON 1227 LG.	
C	1	A36	25 x 4.8 BAR GRATING 12 sq. ft.	
D	4	A36	102 x 102 REPAD 6.4 THK.	SUPPORT BASE
E	2	A36	51 x 51 x 6.4 ANGLE IRON 146 LG.	FRONT LEG
F	2	A36	51 x 51 x 6.4 ANGLE IRON 244 LG.	FRONT SUPPORT
G	2	A36	51 x 51 x 6.4 ANGLE IRON 155 LG.	REAR SUPPORT
H	2	A36	51 x 51 x 6.4 ANGLE IRON 1137 LG.	FRONT POST
I	2	A36	51 x 51 x 6.4 ANGLE IRON 1238 LG.	REAR POST
J	2	A36	51 x 6.4 FLAT BAR 1227 LG.	MID RAIL
K	1	A36	51 x 6.4 FLAT BAR 910 LG.	REAR MID RAIL
L	2	A36	51 x 51 x 6.4 ANGLE IRON 1227 LG.	TOP RAIL
M	1	A36	51 x 51 x 6.4 ANGLE IRON 914 LG.	REAR TOP RAIL
N	2	A36	152 x 6.4 FLAT BAR x 1227 LG.	SIDE TOE RAIL
O	1	A36	152 x 6.4 FLAT BAR 910 LG.	REAR TOE RAIL
P	1	A36	SAFETY GATE	SAFETY GATE
Q	2	A36	6.4 THK x 51 FLAT BAR CAGE BRACE (SHOP TO FIT C/W BOLT CONNECTION)	SAFETY GATE

NOZZLES			
MARK	PROJ.	ELEV.	NOTES

DESIGN NOTES
1. ALL DIMENSIONS ARE IN mm

INTERNAL & EXTERNAL FINISH			
ROOF PLATFORM FINISH			
BLAST:	SSPC-SP6 COMMERCIAL BLAST USING SIL7 SAND		
PRIME:	1.5 - 2.0 mils DFT CLOVERDALE TOWER OR RUSTEX #71024		
PAINT:	1.5 - 2.0 mils DFT CLOVERDALE MARINE ENAMEL, COLOR- STONE GRAY		
REVISIONS			
1	ISSUED FOR FABRICATION	CY	10.24.05
0	ISSUED FOR REVIEW/ APPROVAL	CY	10.11.05
NO.	DESCRIPTION	BY	DATE

CUSTOMER: FORT ENERGY CORPORATION c/o BDR ENGINEERING LTD.  
RPO# 54000-18 Rev. 0  
LOCATION: L.S.D. 07-25-62-06-W5M (SANDHILLS GAS PLANT)

TITLE: - ROOF PLATFORM DETAIL -

APPROVED BY:	CHECKED BY:	DRAWN BY:	CY
DATE: 10.11.05	TAG #: T-706	DRAWING #: B-12935_RP	REV. 1
SHEET: 4 of 5	SCALE: NTS	SERIAL #: 12935	



CUSTOMER: FORT ENERGY CORPORATION c/o BDR ENGINEERING LTD. TITLE: - ROOF PLATFORM DETAIL - QUOTE #: TQ05-436D

