

GasFrac Nitrogen Vaporization Trailer Piping Summary

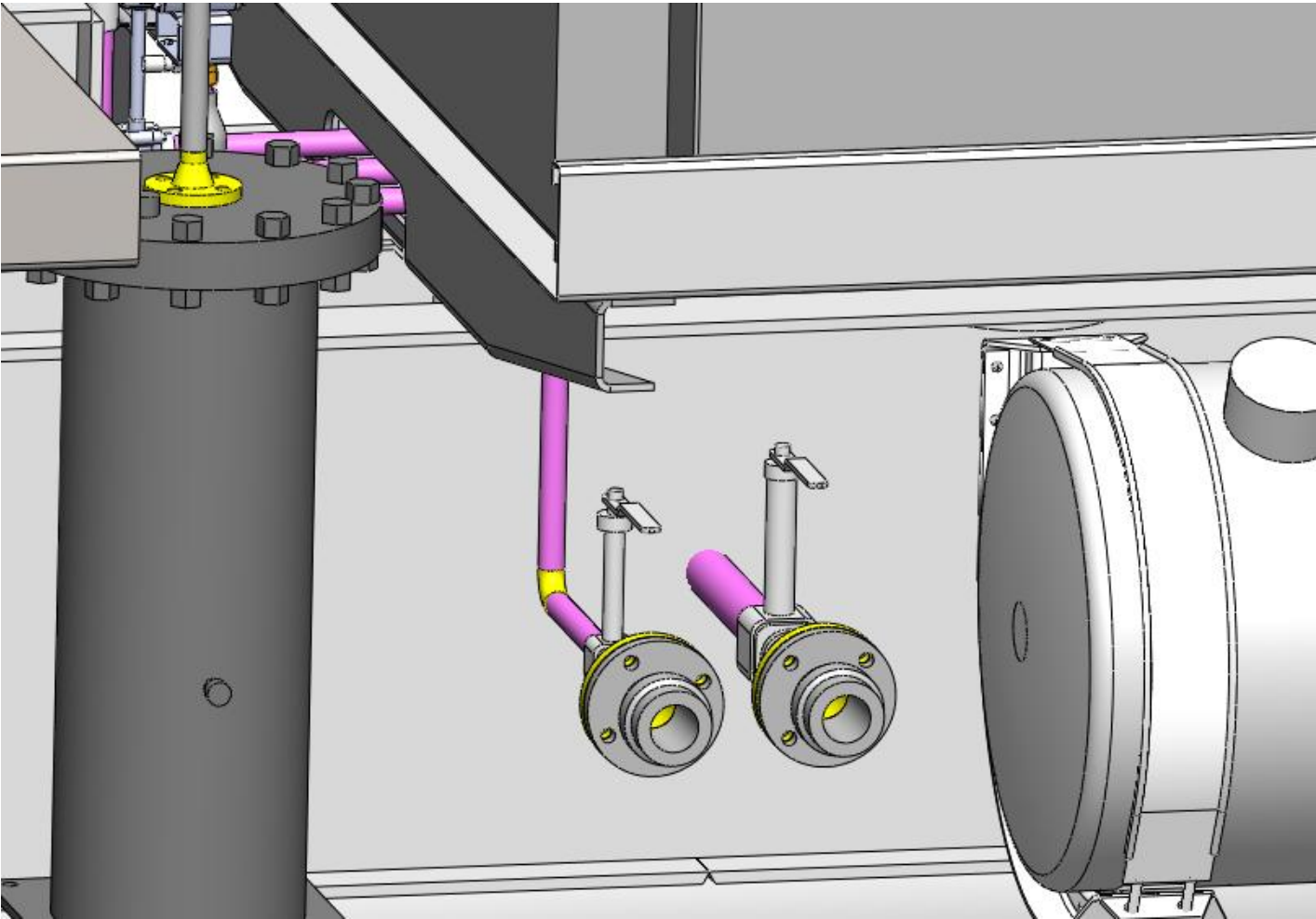
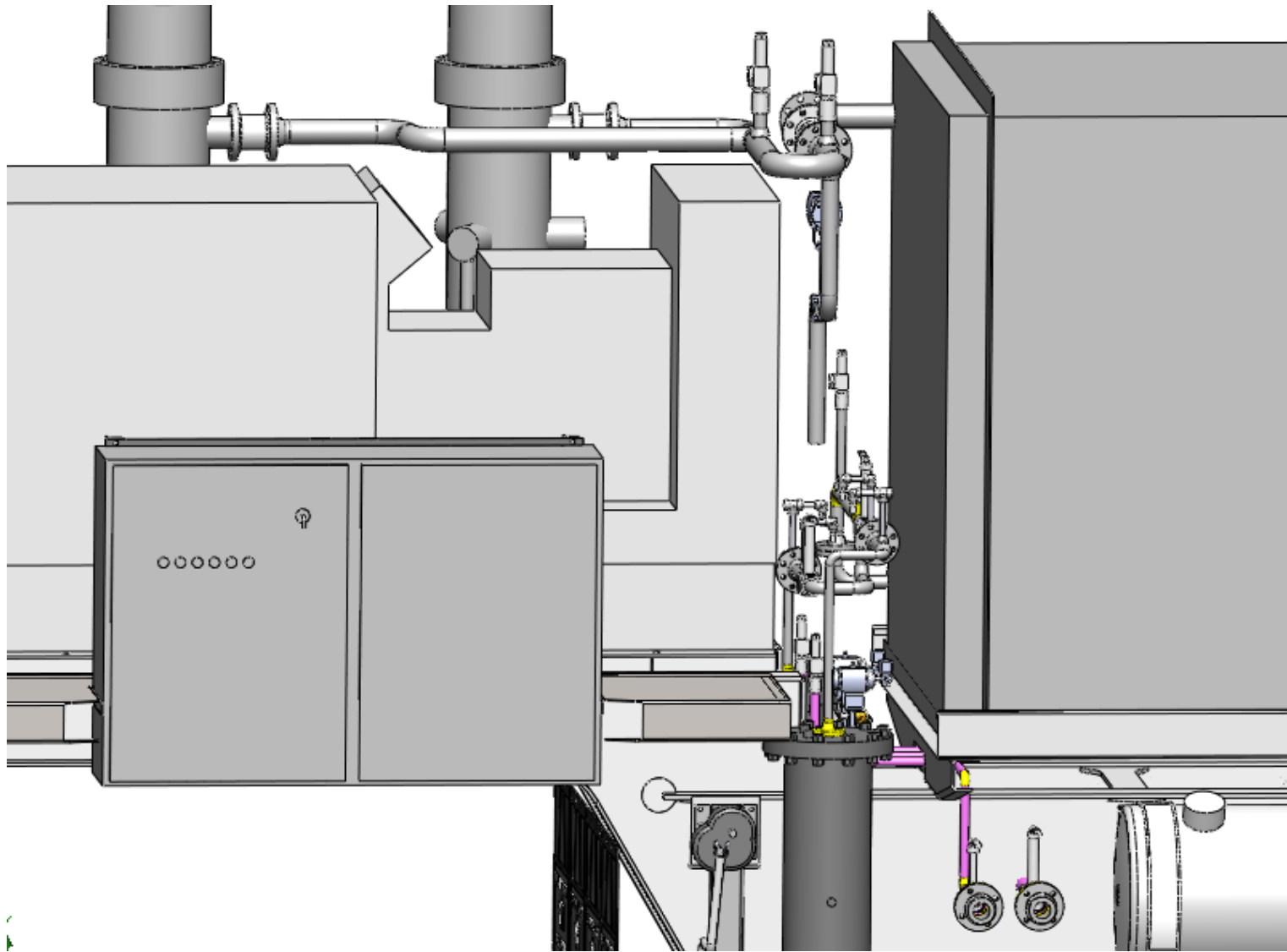


Figure 1: Pump supply and vent ports (both sides of truck)



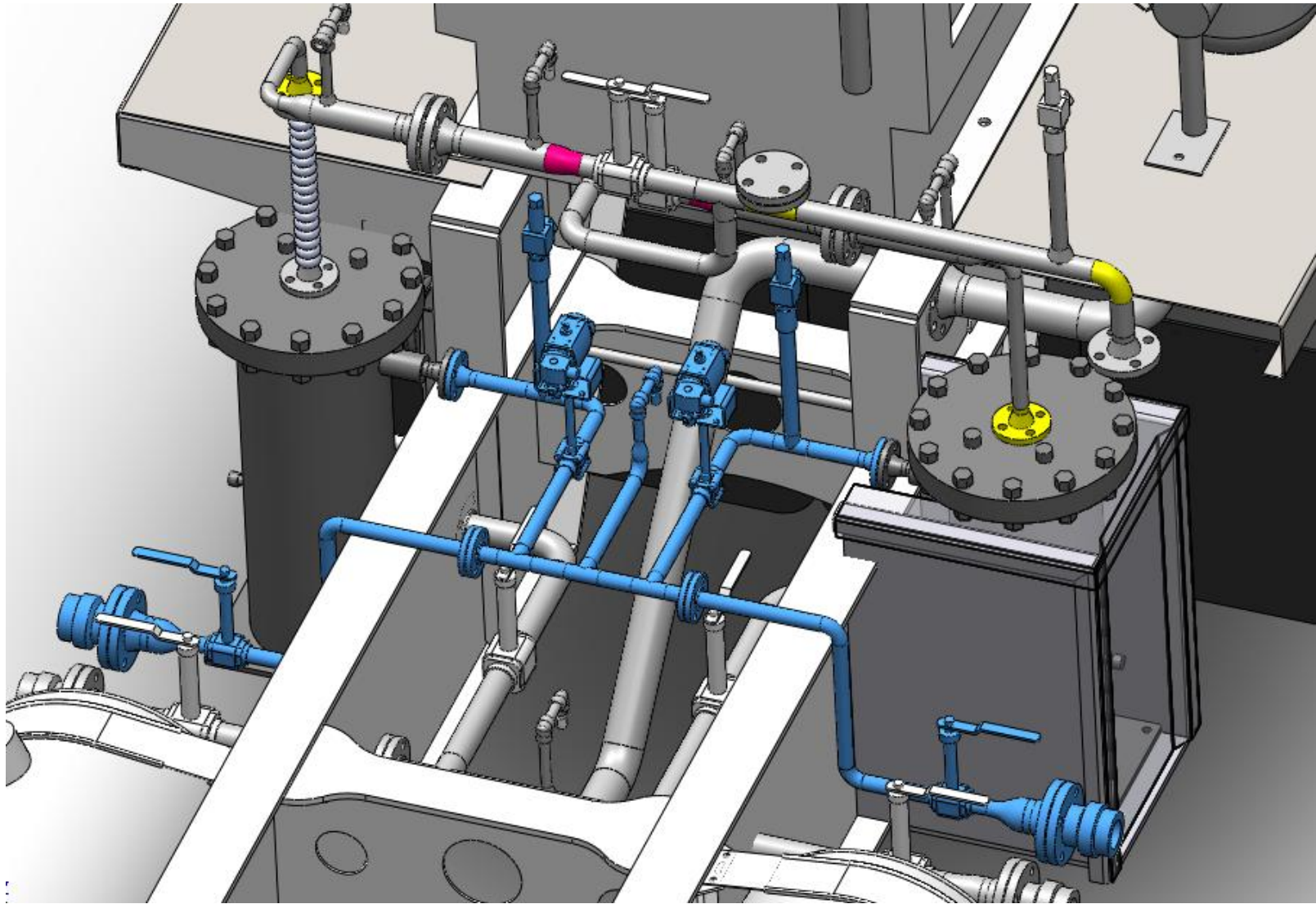


Figure 2: Sump Vent to Discharge

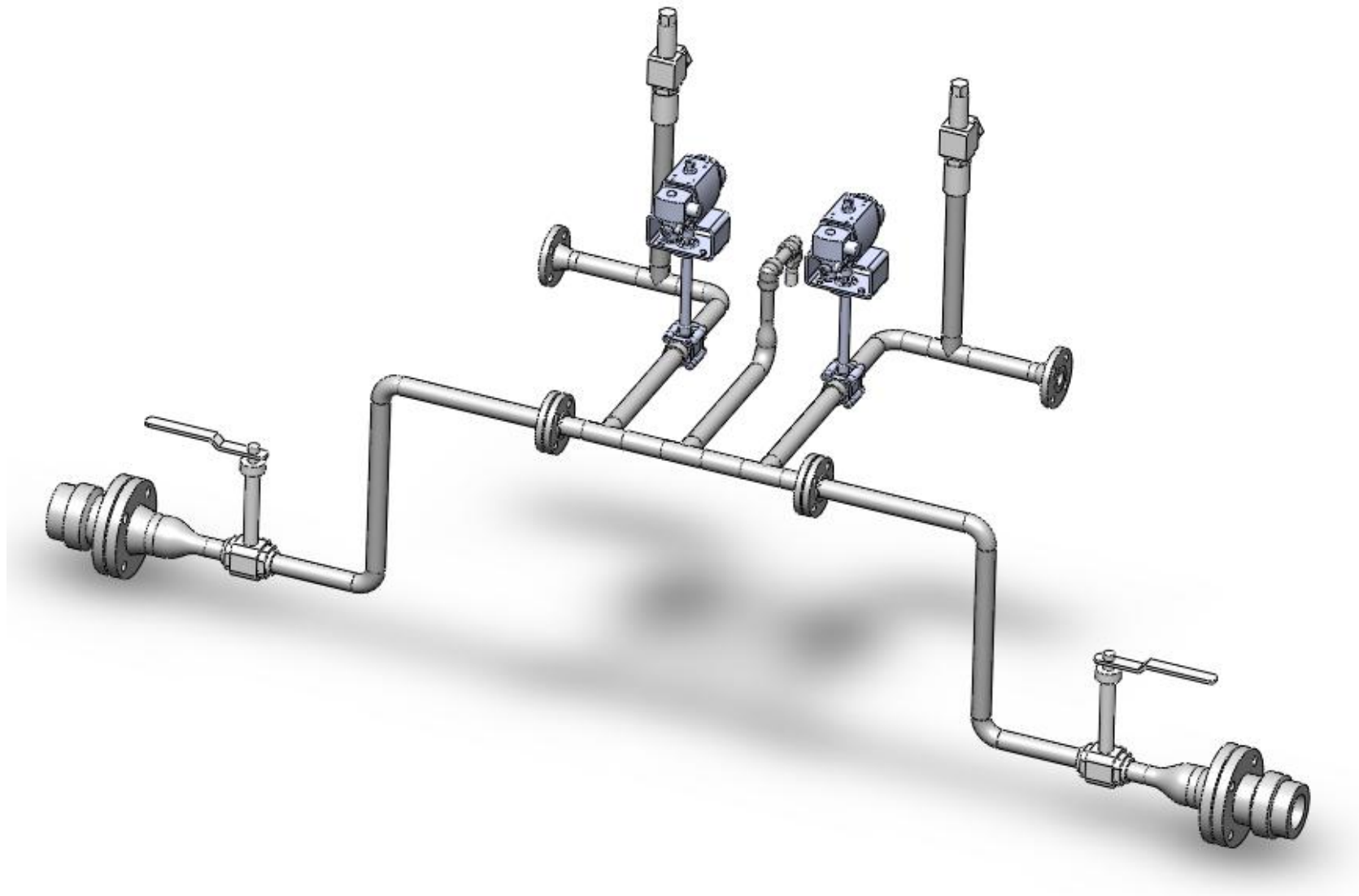


Figure 3: Sump Vent Discharge (2)

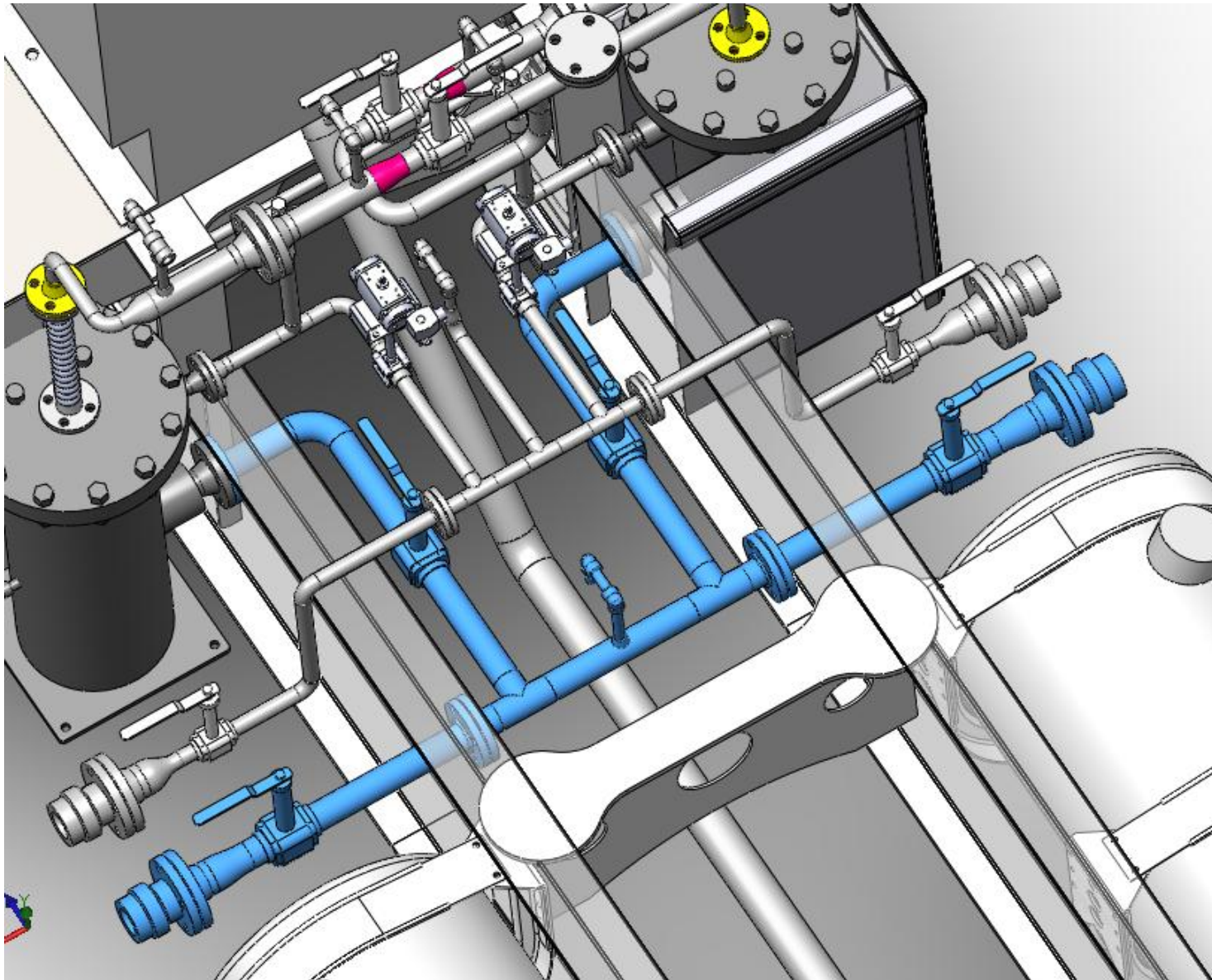


Figure 4: Pipe - Liquid Supply to Sumps

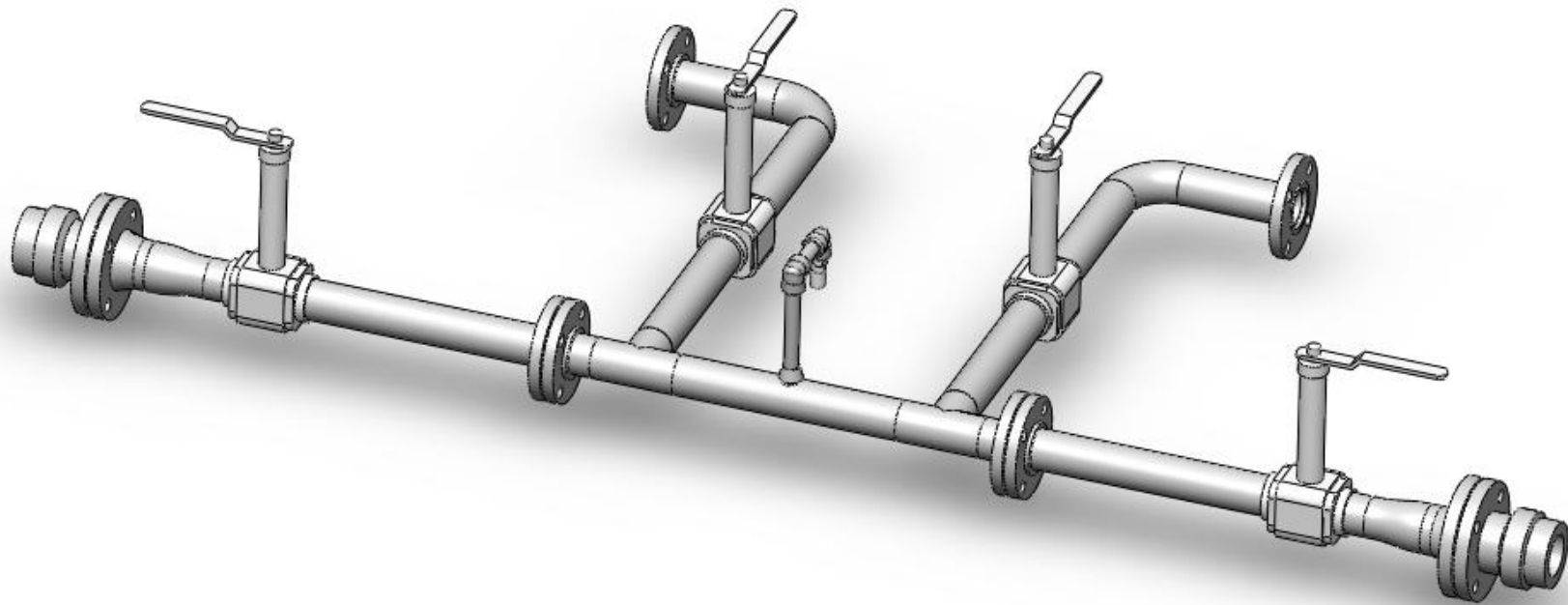


Figure 5: Liquid Supply to Sumps

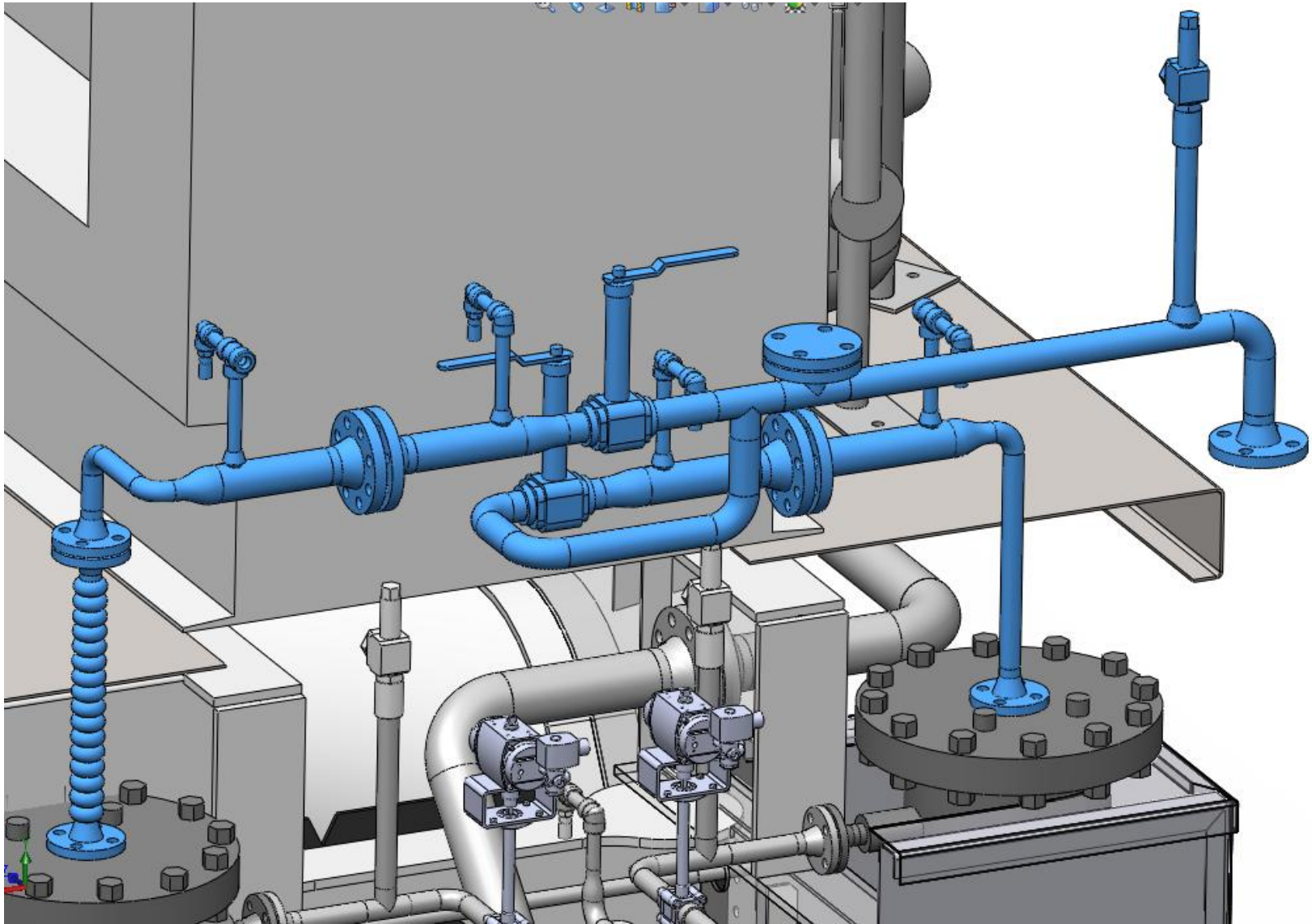


Figure 6: Pumps to Vaporizer

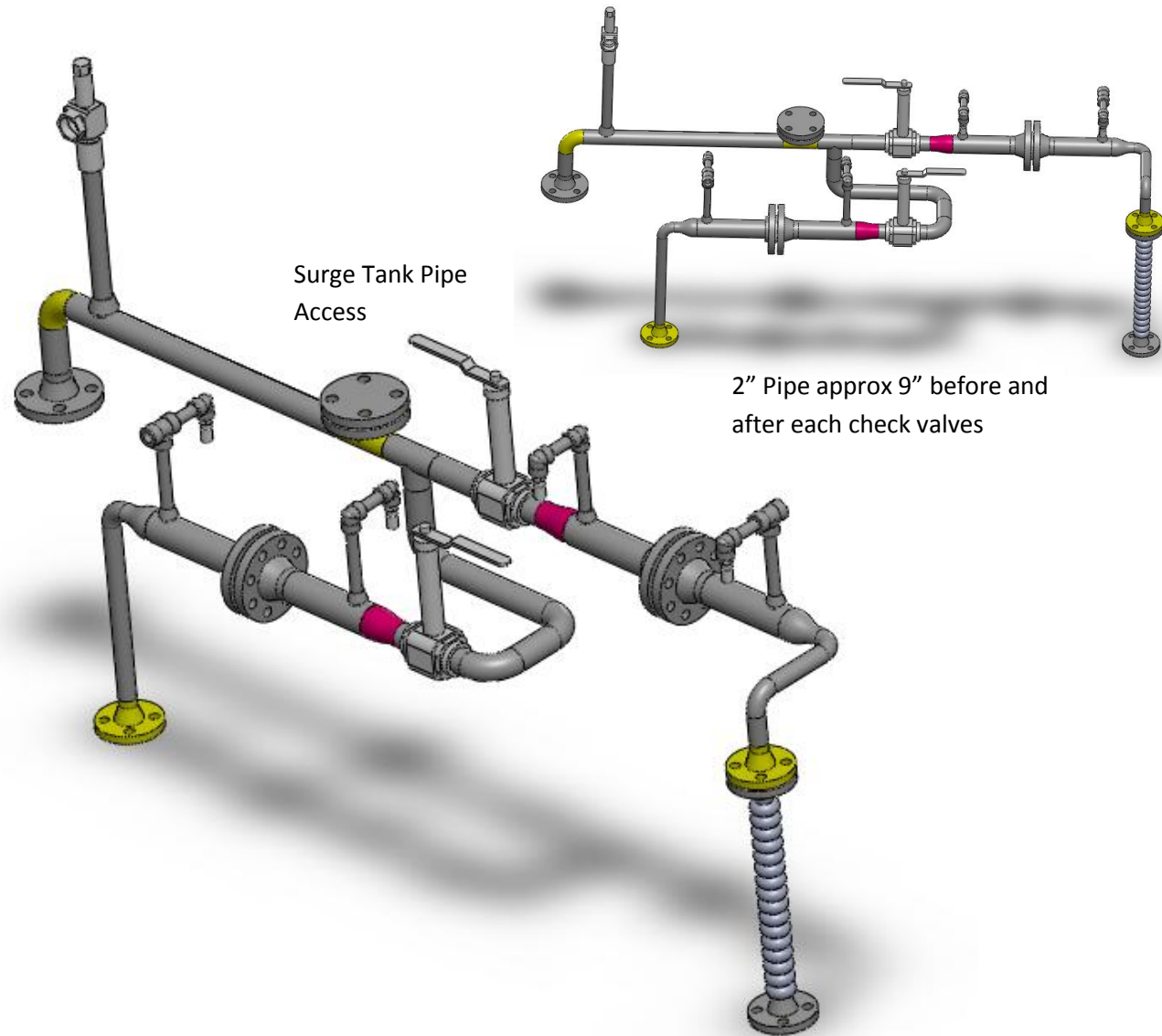


Figure 7: Pumps to Vaporizer

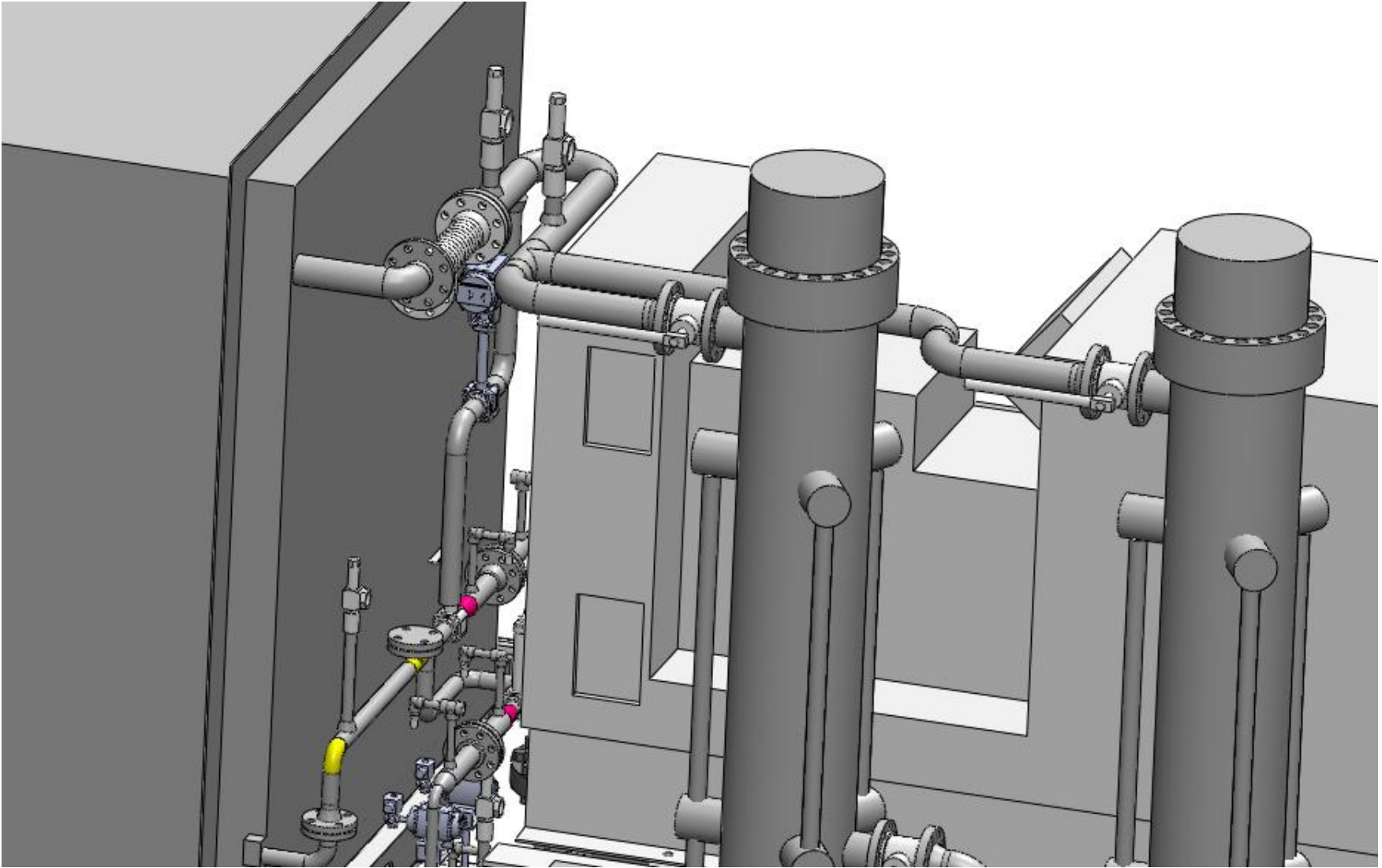


Figure 8: Vaporizer to Trim Heaters

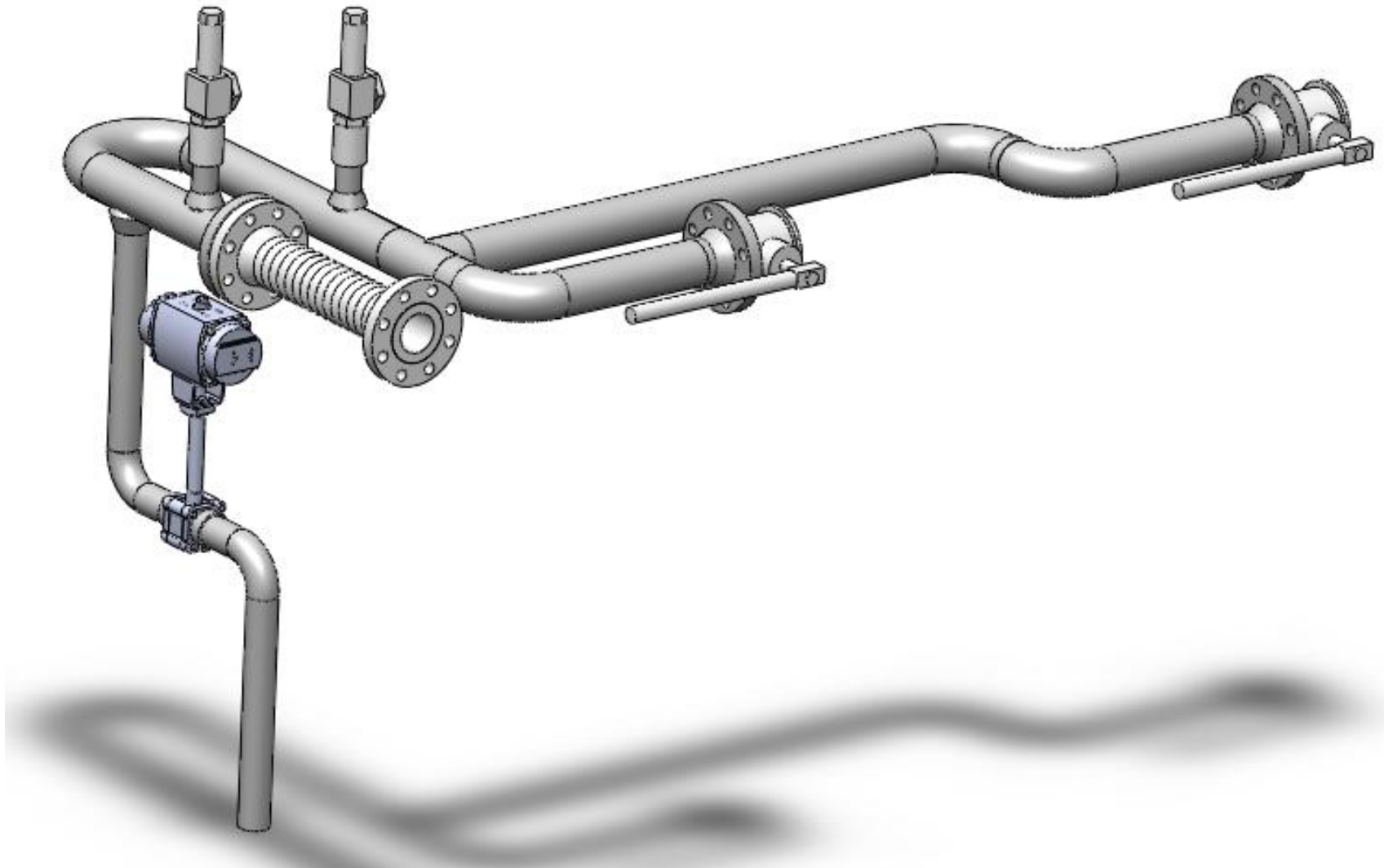


Figure 9: Vaporizer to Trim Heaters

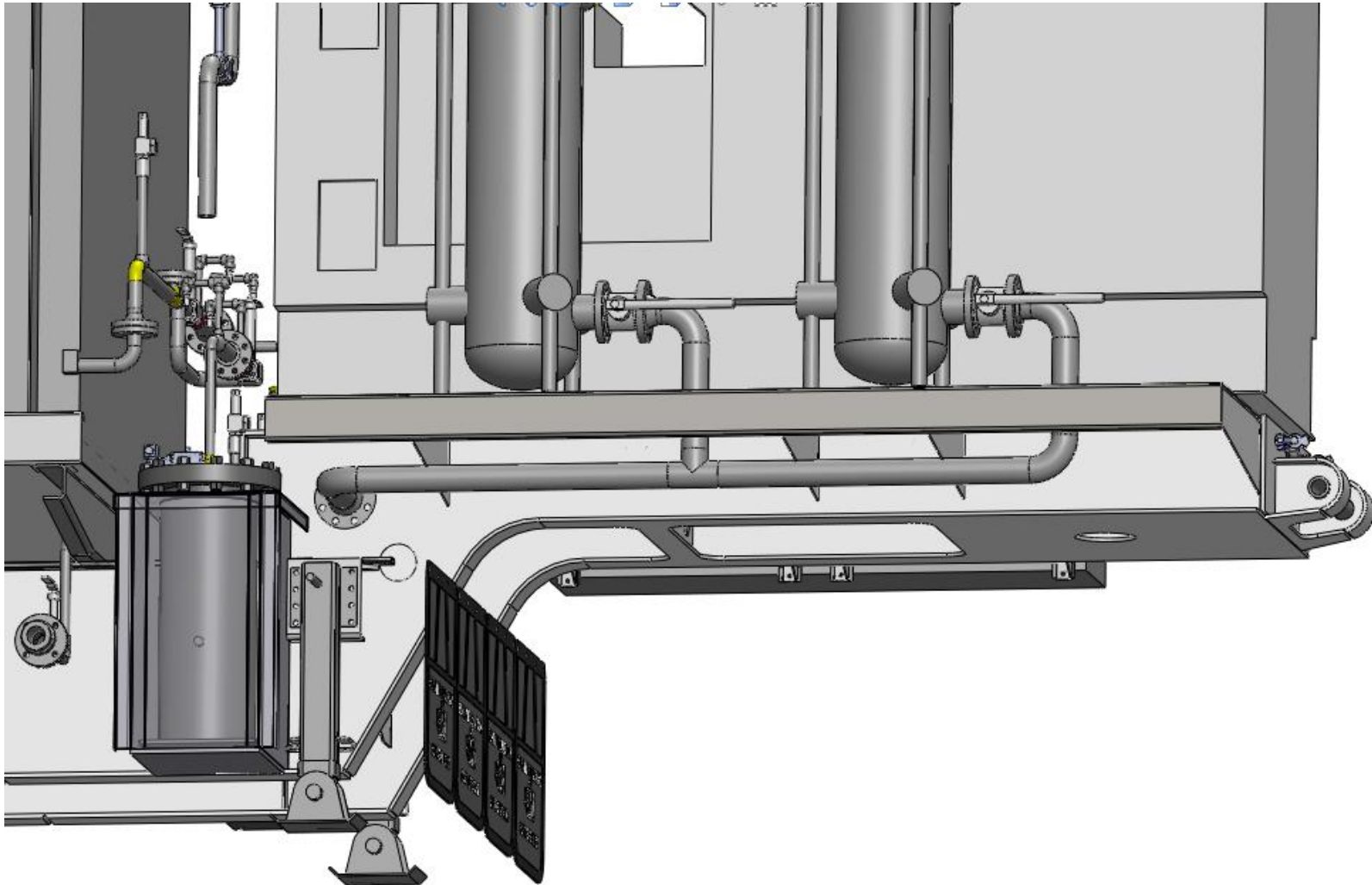


Figure 10: Trim Heaters to Control Valves

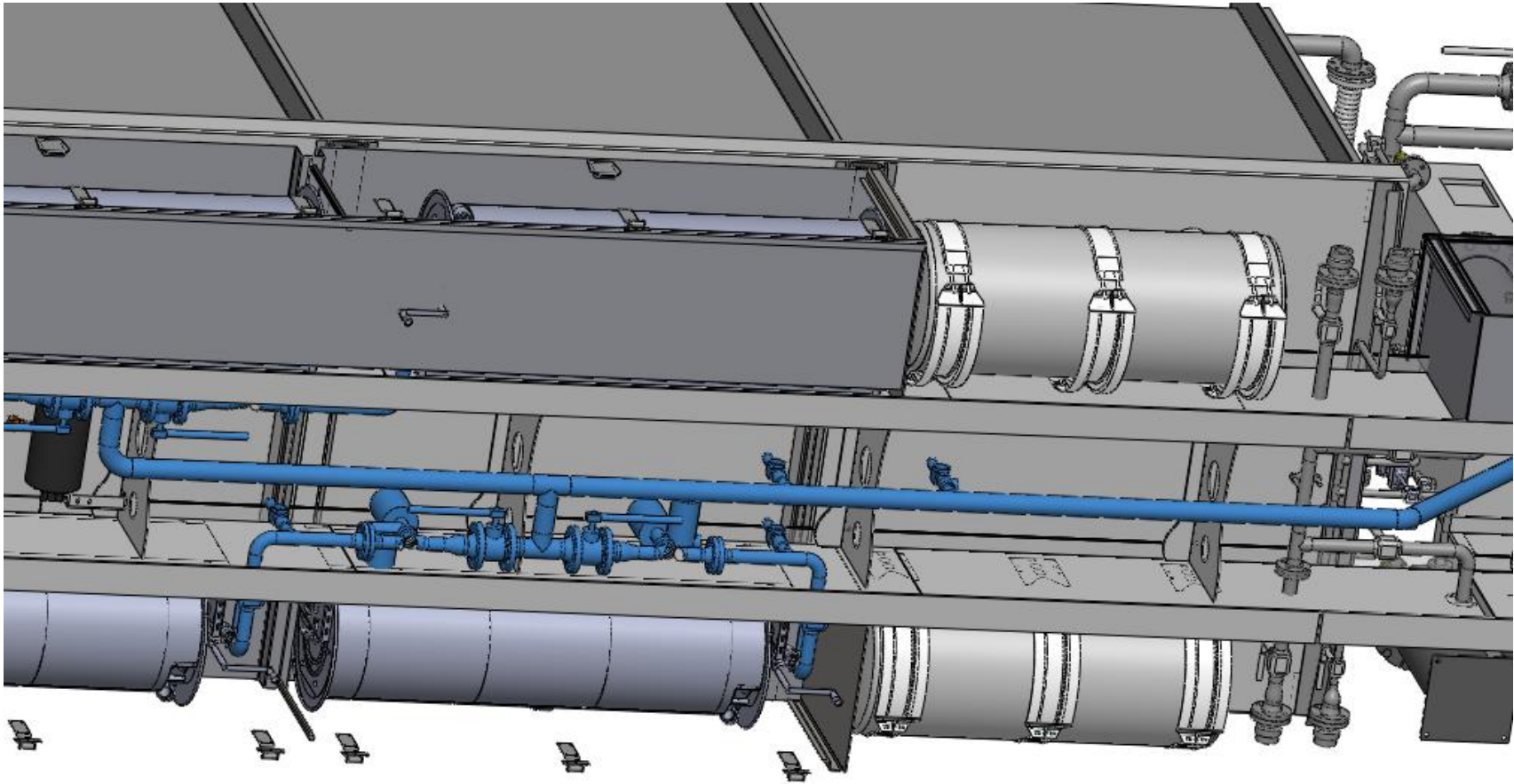


Figure 11: Trim Heaters to Control Valves

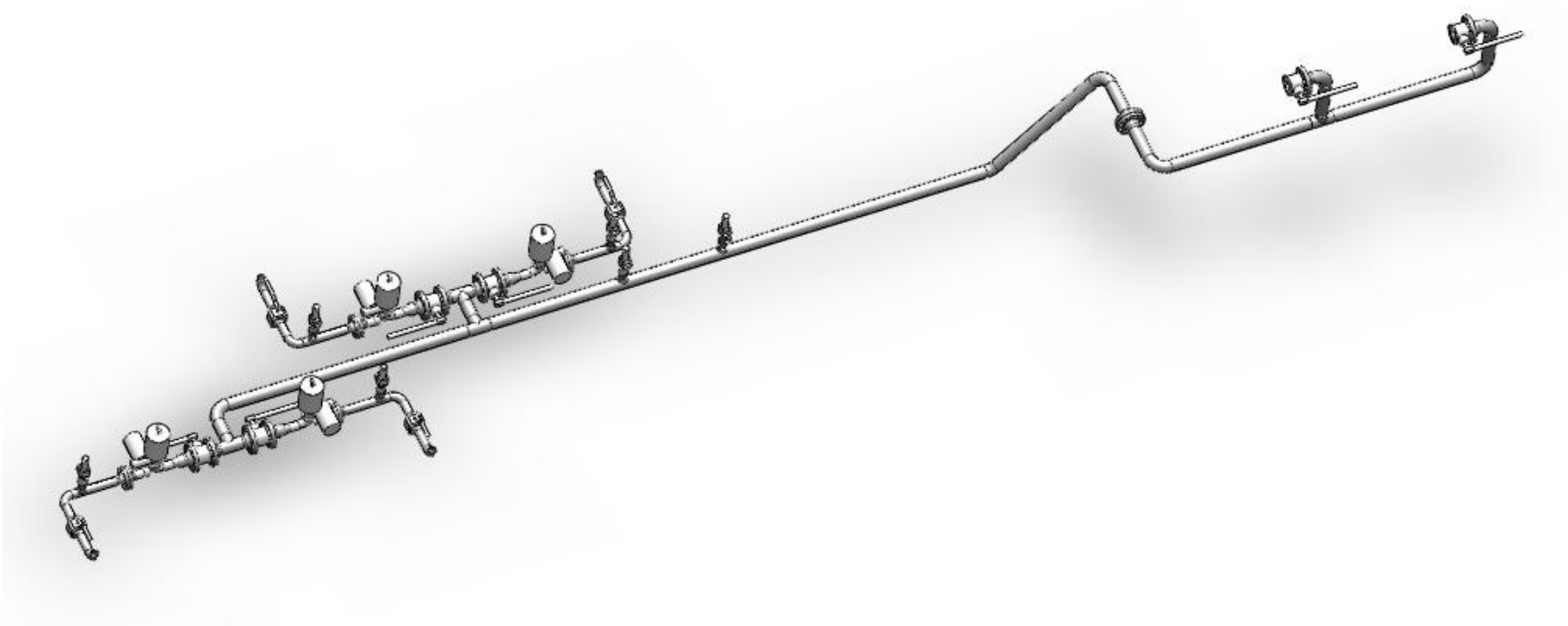


Figure 12: Trim Heaters to Control Valves

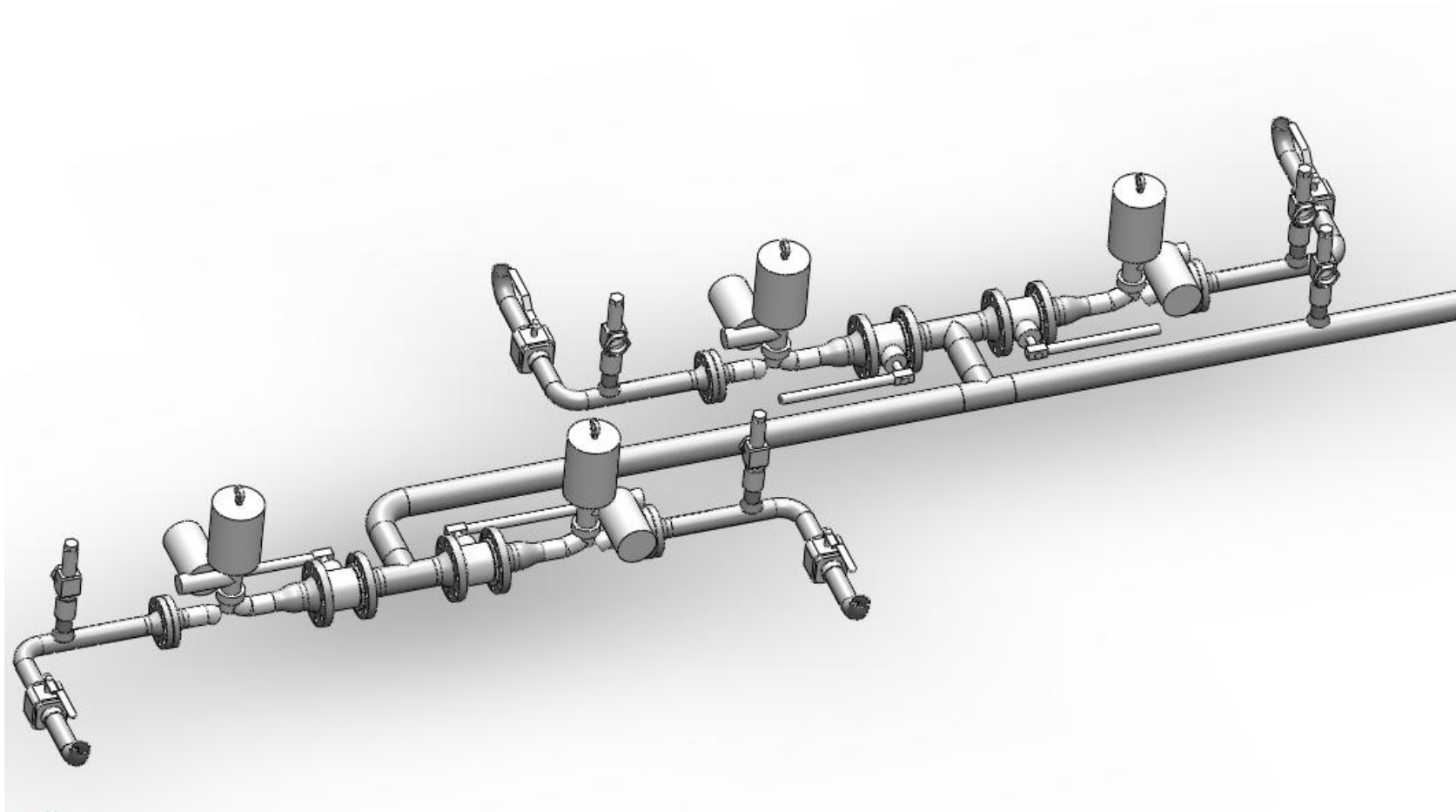


Figure 13: Trim Heaters to Control Valves

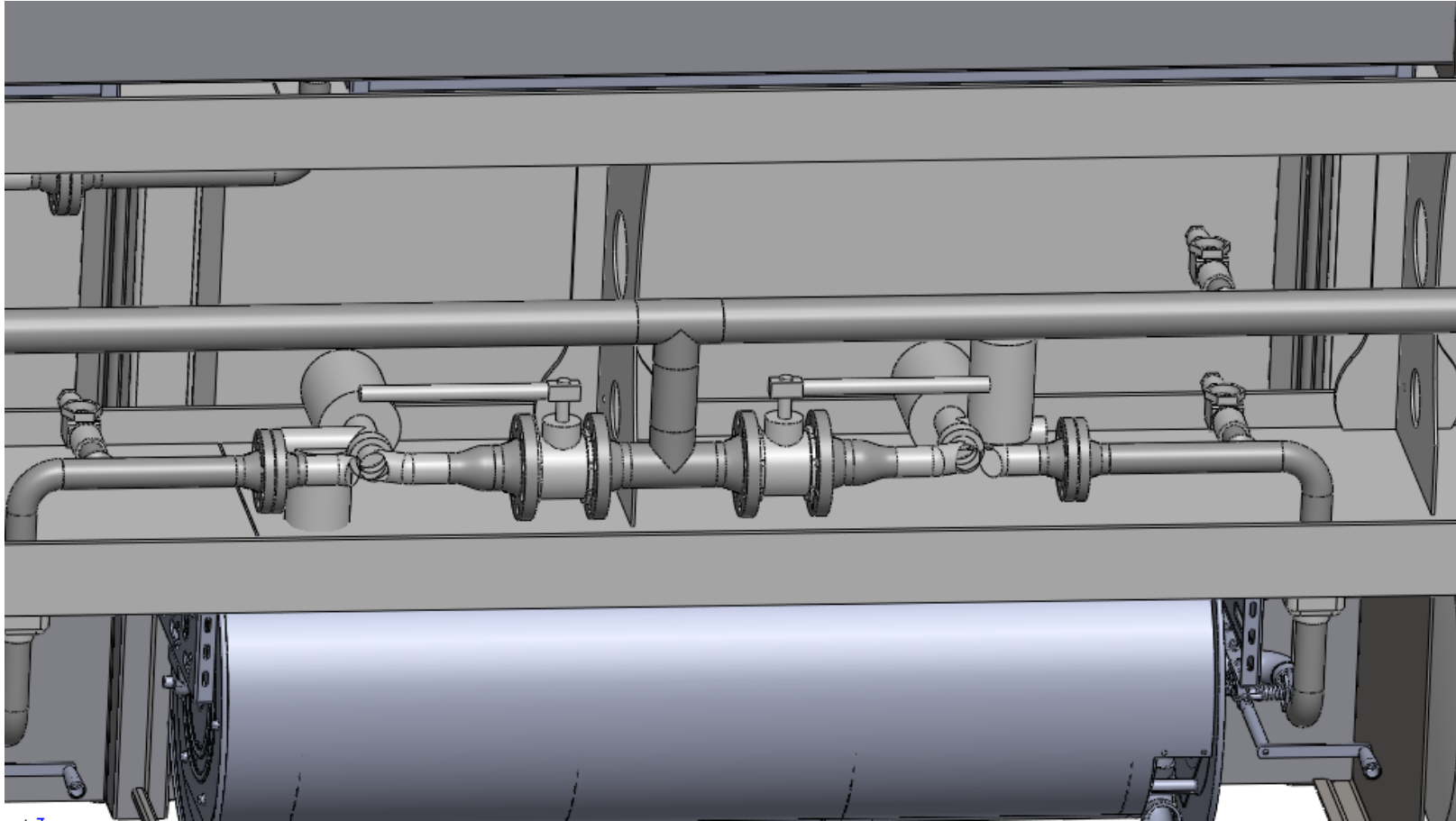


Figure 14: View of Control Valves/Isolation Valves from under trailer

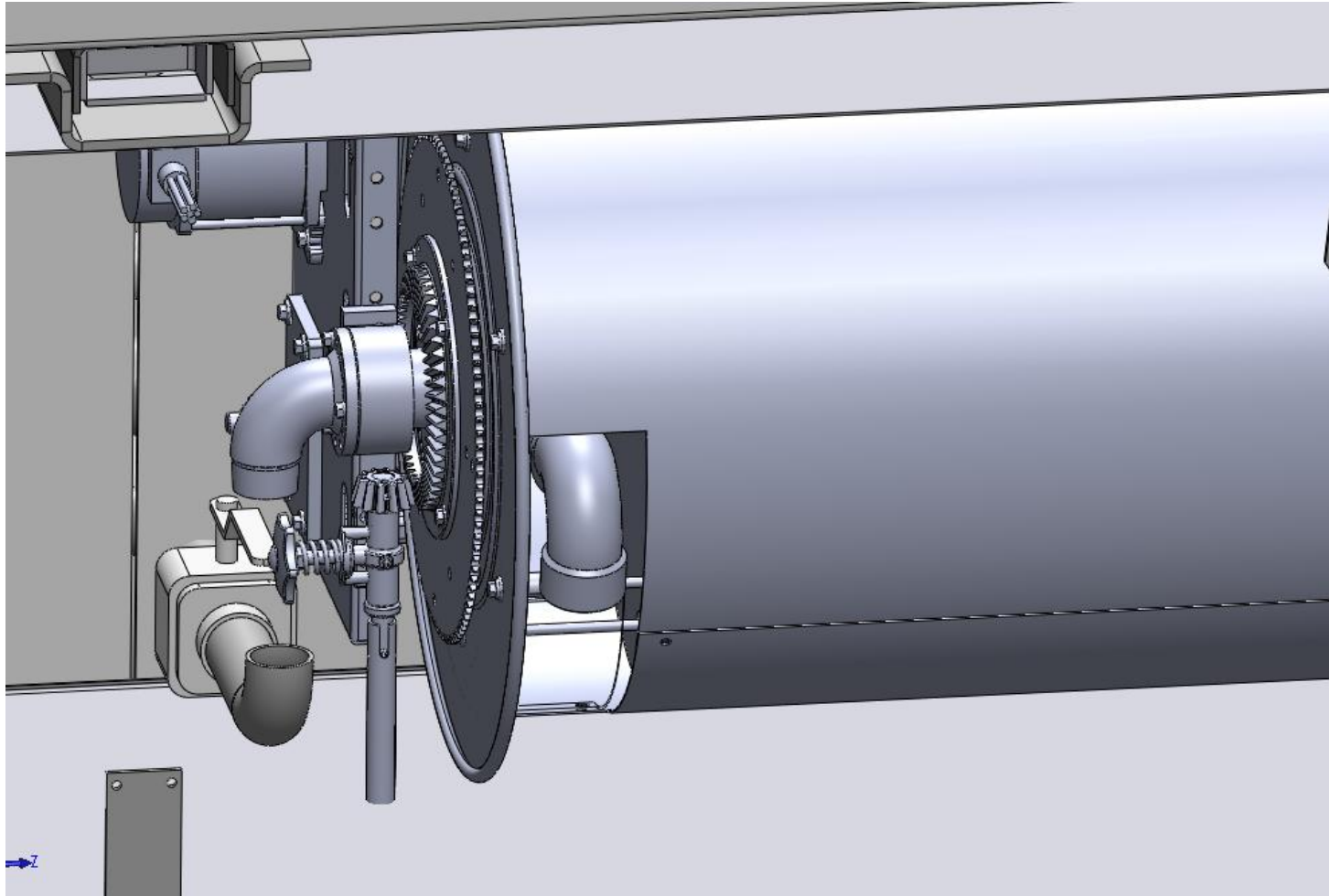


Figure 15: Valve before Hose Reel - will try to accommodate easier access to valve