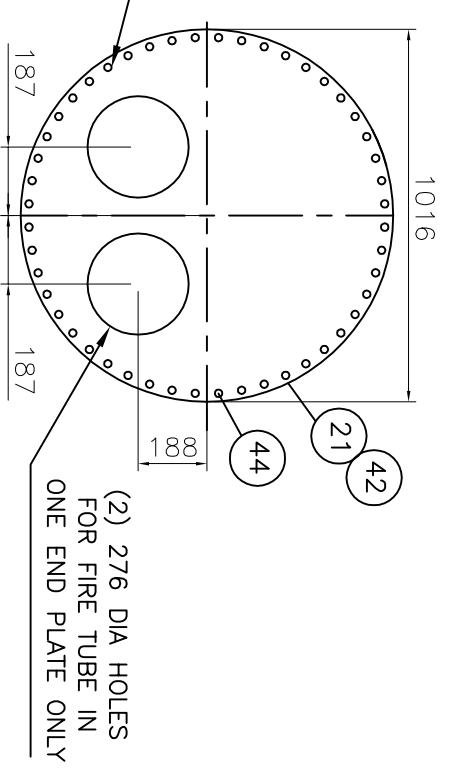


DRILL (48) 21mm DIA BOLT HOLES ON A 972mm BCD, EQUI-SPACED AND STRADDLING CENTERLINES



(2) 276 DIA HOLES FOR FIRE TUBE IN ONE END PLATE ONLY

EXP. POT TOP COVER AND N1 HOLE

ITEM	QTY	DESCRIPTION	GRADE
21	2	PLATE 3/8" THK x 1016mm OD (END PLATE, SEE DETAIL)	A-36
22	2	COUPLING-3/4" NPT 3000#	(66AB)
23	1	COUPLING-1" NPT 3000#	(C9)
24	1	COUPLING-2" NPT 3000#	(C7)
25	1	PIPE 10" SCH, STD x 318 mm LG (STACK, CUT 45°)	A-106N
26	1	PIPE 10" SCH, STD x 278 mm LG (FIRE TUBE, CUT 30°)	A-106 GR. B
27	2	PIPE 10" SCH, STD x 374 mm LG (FIRE TUBE, SEE DETAIL)	A-106 GR. B
28	1	PIPE 10" SCH, STD x 3042 mm LG (FIRE TUBE, CUT 30°)	A-106 GR. B
29	1	PIPE 10" SCH, STD x 3023 mm LG (STACK, CUT 45°)	A-106 GR. B
30	1	PIPE 10" SCH, STD x 318 mm LG (STACK, CUT 45°)	A-106 GR. B
31	1	PIPE 10" SCH, STD x 318 mm LG (STACK, CUT 45°)	A-106 GR. B
32	2	PIPE 10" SCH, STD x 305 mm LG (STACK DEFLECTOR)	A-106 GR. B
33	1	JAYCO VENT VALVE	(N1)
34	1	PLATE 1/4" THKx406mm ODx204mm ID (N1, EX-TANK COVER)	A-36
35	3	PLATE 1/4" THKx350mm ODx276mm ID (FIRE TUBE, STACK FLS)	A-36
36	1	PLATE 3/8" THKx51mm x114mm LG (VERT. FIRE TUBE SLIDER)	A-36
37	1	FLAT BAR 1/4" THKx114mm x229mm LG (STACK DEFL. SUPPORT)	A-36
38	1	GASKET 1/8" THKx1016mm ODx188mm ID HOUSE TO MATCH ITEM 21	JM-80
39	1	BOLT 3/4" DIA x 1 3/4" LG c/w NUT (END PLATES)	A-307
40	1		
41	1		
42	1		
43	1		
44	1		
45	1		

DESIGN DATA

NUMBER	TITLE	NO.	BY	DATE	ISSUED FOR CONSTRUCTION	REVISIONS	ISSUE	CHK'D	APP'D	DISCIPLINE	INITIALS	DATE	APPROVED
ENC-LH-01-01		0	AZ	07/02/19						MECHANICAL			
ENC-LH-01-03													
ENC-LH-01-04										CIVIL/STRUCTURAL			
ENC-LH-01-05										ELECTRICAL			
ENC-LH-01-06										DRAFTING/CHECKED			

**Propipe Manufacturing**  
 9625 - 144 Avenue  
 Grande Prairie, Ab  
 PH: (780) 402-3131  
 FAX: (780) 402-3130

**Propipe Manufacturing**  
 ENCANA  
 400,000 BTU LINE HEATER PACKAGE  
 FIRE TUBE, STACK DETAILS

SCALE: NTS  
 DRAWN: AZ  
 DATE: 07/02/19  
 PROJECT NO.: ENC-LH-01-02  
 JOB NO.: ENC-LH-02  
 DRAWING NO.: ENC-LH-01-02  
 REV.: 0