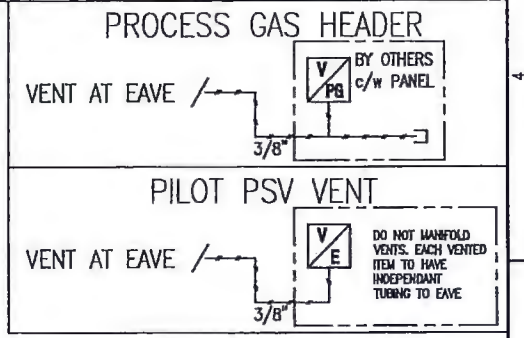


TABLE 1 - PNEUMATIC INSTRUMENTATION DETAILS	
GAUGE/INDICATOR UNITS:	DUAL SCALE (PSIG/kPa & °F/°C)
INSTRUMENT MEDIUM:	CLEAN DRY AIR
IMPULSE (SENSING) TUBING:	1/4" OD, 316SS
INSTR. SUPPLY TUBING:	3/8" OD, 316SS
INSTR. VENT TUBING:	3/8" OD, 316SS
TUBING PNEUMATIC TEST:	1584 PSIG
ADDITIONAL NOTES:	1.1 TUBING RUNS IN TRAFFIC AREAS TO BE PROTECTED WITH REMOVABLE COVER.
TABLE 2 - TUBING DETAILS	
WALL THICKNESSES	FITTINGS
1/4": 0.035"	MANUFACTURER: SWAGELOK
3/8": 0.035"	FITTING MATERIAL: 316SS
1/2": 0.049"	FERRULE MATERIAL: 316SS
3/4": 0.065"	ADDITIONAL NOTES:
1": 0.083"	2.1 PROCESS TUBE SIZES TO BE SPECIFIED ON DRAWINGS.
1-1/4": 0.120"	2.2 PROCESS & UTILITY TUBING TO MEET THICKNESS REQUIREMENTS.
1-1/2": 0.134"	
2": 0.188"	
TABLE 3 - ELECTRICAL DETAILS	
COMPONENT ELECTRICAL CERTIFICATION:	CSA CLASS 1, DIV 1 AND/OR 2
PACKAGE ELECTRICAL CERTIFICATION:	NOT CERTIFIED AS FULL PACKAGE
ON-SKID WIRE PROTECTION:	RIGID ALUMINIUM CONDUIT
ADDITIONAL NOTES:	3.1 ALL ON-SKID EQUIPMENT TO MEET COMPONENT ELECTRICAL CERTIFICATION REQUIREMENTS.
TABLE 4 - PRESSURE PIPING DETAILS	
FABRICATION CODE:	ASME B31.3-2014 (SEE NOTE 4.1)
PIPING CLASSES:	ENG-STD-0001 (BIDELL STANDARD)
HYDROTEST PRESSURE:	1.5 x DESIGN PRESSURE AT AMBIENT TEMPERATURE (SEE NOTE 4.3)
FLANGED PSV GUSSETS:	REFER TO DFT-STD-0007
FLANGED INSTRUMENT GUSSETS:	REFER TO DFT-STD-0007
REGISTRATION:	AB (SEE NOTE 4.1)
PROCESS PIPING	SSPC-SP3 (POWER TOOL CLEANED)
EXTERNAL PREP:	FLUSHED AND RUST PROTECTED
INTERNAL PREP:	0.0625"
CORR. ALLOWANCE:	10% OF BUTTWELDS
RADIOGRAPHY:	10% OF FILLET WELDS
MPI EXAMINATION:	NONE
HARDNESS TESTING:	NONE (EXCEPT WHERE REQUIRED BY CODE)
PWHT:	
UTILITY PIPING	SSPC-SP3 (POWER TOOL CLEANED)
EXTERNAL PREP:	CLEANED
INTERNAL PREP:	0.0625" (1.6mm)
CORR. ALLOWANCE:	10% OF BUTTWELDS
RADIOGRAPHY:	10% OF FILLET WELDS
MPI EXAMINATION:	NONE
HARDNESS TESTING:	NONE (EXCEPT WHERE REQUIRED BY CODE)
PWHT:	
ADDITIONAL NOTES:	4.1 NON-CODE PIPING (< 15 PSIG DESIGN PRESSURE) TO BE DESIGNED AND BUILT TO CODE, HOWEVER, REGISTRATION AND NDE ARE NOT REQUIRED. 4.2 LOW TEMP PIPING (-49°F) ON ALL PIPING UP TO THE FIRST BREAK FLANGE OUTSIDE THE BUILDING
TABLE 5 - PIPING ASSEMBLY & SUPPORTS	
STUDS:	FULL THREAD, B7, <1": UNC, 1"+: UNB
NUTS:	HEAVY HEX NUTS, 2H, <1": UNC, 1"+: UNB
BOTTLE FASTENERS:	HEX HEAD CAP SCREWS, GRADE 8, UNC
GASKETS:	SPIRAL WOUND, GRAPHITE FILLED, 316SS, CG (SEE NOTE 5.1)
PROCESS PIPE CLAMPS ≤ 6NPS	2 BOLT CLAMP (NO U-BOLT STYLE)
PROCESS PIPE CLAMPS > 6NPS	2 BOLT CLAMP (NO U-BOLT STYLE)
UTILITY PIPE CLAMPS:	2 BOLT CLAMP (NO U-BOLT STYLE)
ADDITIONAL NOTES:	5.1 FOR CL900 24"+, CL1500 12"+, & CL2500 4"+, CGI GASKETS MUST BE USED, IN ACCORDANCE WITH ASME B16.20. 5.2 REFER TO BES-CLAMP-01/02 FOR PIPE CLAMP DETAILS.

TABLE 6 - PRESSURE VESSEL DETAILS	
FABRICATION CODE:	ASME SECTION VIII, DIV 1 (2015)
HYDROTEST PRESSURE:	1.3 x DESIGN PRESSURE AT AMBIENT TEMPERATURE
REGISTRATION:	ALBERTA CRN
PROCESS VESSELS	
CORROSION ALLOWANCE:	0.0625
RADIOGRAPHIC EXAMINATION:	SPOT PER UW-11(c)5(b), RT-2
MPI EXAMINATION:	NONE
HARDNESS TESTING:	NONE
PWHT:	NONE
EXTERNAL PREP:	SSPC-SP3 (POWER TOOL CLEANED)
INTERNAL PREP:	FLUSHED & RUST PROTECTED
NPT CONNECTIONS:	THREADOLETS TO BE MINIMUM CL3000
UTILITY VESSELS	
CORROSION ALLOWANCE:	0.0625" (1.6mm)
RADIOGRAPHIC EXAMINATION:	SPOT PER UW-11(c)5(b), RT-2
MPI EXAMINATION:	NONE
HARDNESS TESTING:	NONE
PWHT:	NONE
EXTERNAL PREP:	SSPC-SP3 (POWER TOOL CLEANED)
INTERNAL PREP:	FLUSHED & RUST PROTECTED
NPT CONNECTIONS:	THREADOLETS TO BE MINIMUM CL6000
ADDITIONAL NOTES:	
TABLE 7 - SKID, CRANE & STEEL DETAILS	
OVERALL DIMENSIONS:	22'-6" WIDE x 31'-0" LONG
SKID STYLE:	ONE PIECE
MAIN BEAMS:	24094 WIDE FLANGE
STRINGER BEAMS:	6020 WIDE FLANGE
SEAL PAN:	FLAT, FULL SKID, 12ga, c/w 1-1/2"-NPT DRAIN
CHECKER PLATE:	NONE
DRIP LIP:	NOT INCLUDED
UNDER-SKID INSULATION:	NONE
GRATING:	3/16" x 1" NON-SERRATED, CARBON STEEL
SKID SURFACE PREP:	SSPC SP-2 (HAND TOOL CLEAN)
SKID LIFTING DEVICES:	P-LUGS, BOTH ENDS (100% MPI OF WELDS)
SKID STEEL MTRS:	NOT REQUIRED
STRUCTURAL STEEL MTRS:	NOT REQUIRED
INTEGRAL SKID TANKS:	2 x 260 GALLON WASTE LIQUID WING TANKS
CRANE:	3 TON BRIDGE CRANE, NON-SEPARABLE
CRANE CERTIFICATION:	CRANE STUDY BY KOVA
INTEGRAL CRANE TANKS:	2 x 120 GALLON OIL DAY TANKS
CONCRETE TYPE:	GENERAL MIX #2DE05GM1
CONCRETE POUR LOCATION:	SHOP POUR
ADDITIONAL NOTES:	7.1 SKID TO BE CONSTRUCTED IN ACCORDANCE WITH CWB STANDARDS. 7.2 SKID TANKS HAVE PRIMARY CONTAINMENT ONLY. CRANE TANKS HAVE SECONDARY CONTAINMENT INSIDE BUILDING. 7.3 PROVISION FOR FUTURE OUTBOARD CYLINDER SUPPORTS
TABLE 8 - PAINT DETAILS	
PRIMER:	ONE COAT BIDEILL STANDARD WATER-BASED
PAINT:	ONE COAT BIDEILL STANDARD WATER-BASED
PAINT COLOUR:	WARM GREY
PAINT ENGINE:	OEM FINISH
PAINT COMPRESSOR:	OEM FINISH
ADDITIONAL NOTES:	8.1 REFER TO BIDEILL PAINT SPEC FOR MORE DETAILS.
TABLE 9 - CUSTOMER, INSPECTION & TAGGING	
UNIT DESTINATION:	ROCKY MOUNTAIN HOUSE, ALBERTA
CUSTOMER AB-10 CONTACT:	NAME / PHONE NUMBER
3RD PARTY INSPECTION:	JOHN McDONALD/403-804-4659/GLOBAL QA SERVICES INC.
SHOP TEST RUN:	YES, LOADED (TRD)
INSTRUMENT TAGGING:	NONE
EQUIPMENT TAGGING:	NONE
ADDITIONAL NOTES:	9.1 AB-83 REGISTRATION IS RESPONSIBILITY OF CUSTOMER.

TABLE 10 - ENGINEERING STUDIES	
TORSIONAL:	NONE
ACOUSTICAL/MECHANICAL:	TECH TRANSFER
THERMAL FLEXIBILITY:	TECH TRANSFER
CRANE:	KOVA (AB P.ENG STAMP)
FUGITIVE EMISSIONS:	BIDELL
NOISE:	N/A
P. ENG STAMPED DRAWINGS	
P&IDS:	YES
GA:	YES
LINE LIST:	YES
SKID:	NO
VESSLS:	NO
BUILDING:	YES
ADDITIONAL NOTES:	
TABLE 11 - PACKAGE FLUIDS	
ENGINE GLYCOL:	ETHYLENE GLYCOL 50/50 (107 GAL)
ENGINE OIL:	SENTRON 445 (190 GAL)
COMPRESSOR FRAME OIL:	SAE 40WT, SUMP CAP = 37 GAL
COMPRESSOR CYLINDER OIL:	SAE 40WT, NORMAL RATE = 34.13 PINTS/DAY BREAK IN = 61.42 PINTS/DAY
ADDITIONAL NOTES:	11.1 FLUIDS PROVIDED FOR TEST RUN PURPOSES ONLY.

LOW POINT DRAIN DETAIL	PNEUMATIC TERMINATIONS	INSTRUMENTATION TAGGING LEGEND	LINETYPE LEGEND
<p>3/4"-NPT DRAIN TO BE PROVIDED AT ALL LOW POINTS IN PROCESS PIPING.</p> <p>PLUGGED NPT DRAINS TO BE PROVIDED AT ALL LOW POINTS IN UTILITY PIPING.</p>	<p>I/A INSTRUMENT AIR</p> <p>P/A PANEL AIR</p> <p>V/L VENT LOCALLY</p> <p>V/Pg VENT TO GAS HEADER</p> <p>V/E VENT AT EAVE</p>	<p> LOCAL MOUNTED DEVICE</p> <p> PANEL MOUNTED DEVICE</p> <p> OFF-SKID MOUNTED DEVICE</p> <p> SIGNAL TO PANEL</p> <p> SIGNAL TO OFF-SKID</p> <p> PANEL LOGIC</p>	<p>PROCESS PIPING</p> <p>UTILITY PIPING</p> <p>SEAMLESS TUBING</p> <p>ELECTRICAL WIRING</p> <p>INTERNAL LOGIC</p> <p>OEM SUPPLIED</p> <p>ASSEMBLY BOUNDARY</p> <p>BUILDING WALL</p> <p>DRIVETRAIN</p> <p>CUSTOMER SUPPLIED</p> <p>EXISTING EQUIPMENT</p>



Payto Explor. & Devel. Corp. #6793

K-613
SEP 01 2017
ORIGINAL VENDOR DRAWING
DO NOT MARK UP

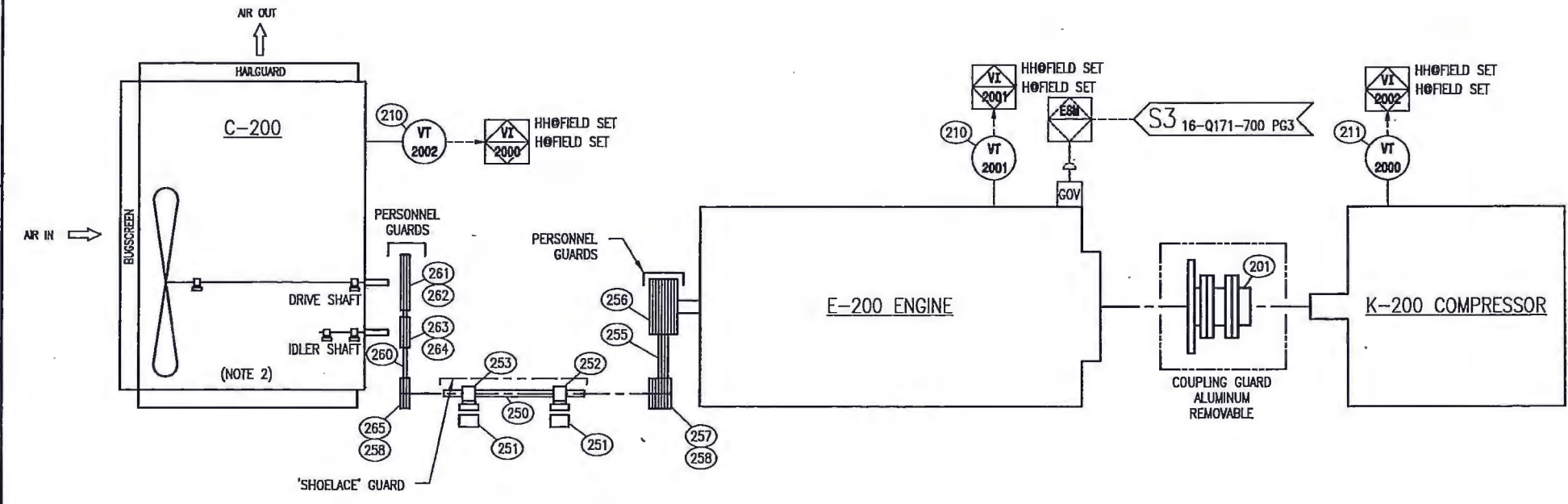
UNIT NUMBER	THIS DRAWING IS SOLE PROPERTY OF BIDEILL EQUIPMENT AND SHALL NOT BE REPRODUCED, COPIED, LENT, ALTERED NOR USED FOR ANY PURPOSE OTHER THAN WHICH IT IS FURNISHED EXCEPT WITH THE WRITTEN PERMISSION OF BIDEILL EQUIPMENT	ISSUED FOR CONSTRUCTION	IFC	2016/11/09	<p>MAIN SHOP / OFFICE 6900 - 112th AVENUE S.E. CALGARY, AB T2C 4Z1 PHONE: (403) 235-5877 FAX: (403) 272-7749</p> <p>BIDELL™ APEGA PERMIT NUMBER P08318 GAS COMPRESSION</p> <p>SCOPE SUMMARY WAUKESHA L5794LT/ARIEL JGK/4-2/AIR-X LIMITED 144EF-102-24 CUSTOMER: PEYTO EXPLORATION c/o ONSTREAM ENGINEERING LOCATION: BRAZEAU RIVER LSD: 11-12-44-13 W5M</p> <p>PAPER SIZE 11"x17" SCALE NTS DWG# 16-Q171-000 REV B</p>
16-980 <input type="checkbox"/>					
16-981 <input type="checkbox"/>					
16-982 <input type="checkbox"/>					
16-983 <input type="checkbox"/>					
16-984 <input type="checkbox"/>					
16-985 <input type="checkbox"/>					
16-986 <input type="checkbox"/>					
16-987 <input type="checkbox"/>					
REV	DATE	CREATED	REMOVED	APPROVED	DESCRIPTION
B	16-11-08	SS	GTM	DT	ISSUED FOR CONSTRUCTION
A	16-10-17	SS	GTM	DT	RE-ISSUED FOR APPROVAL
O	16-10-13	SS	GTM	DT	ISSUED FOR APPROVAL

C-200
 AIR-X-LIMITED
 144EF-102-24
 MOORE 10K-60VT
 55 HP/255 RPM
 TIP SPEED: 9613 FPM
 PITCH : 14.7"
 S/N:

E-200 ENGINE
 WAUKESHA L5794LT
 1450 HP @ 1200 RPM
 S/N:

K-200 COMPRESSOR
 ARIEL JGK/4-2
 STANDARD DISTANCE PIECE
 S/N:

ASSEMBLY BILL OF MATERIALS				
MARK/TAG	QTY	PART NUMBER	DESCRIPTION	NOTE
201	1	DC-6708-GK	COUPLING, FSH-70-28, BORED HUB MFG: TB WOODS MODEL: FSH70-28-GK	
210	2	VT-123	TRANSMITTER, VIBRATION, 1/4"-MNPT, 0-2 in/s PEAK, -40-212F, 24VDC, 4-20mA, XP, CSA, CL DIV I, GRP B, GRP C, GRP D, CASE: 303SS MFG: METRIX MODEL: ST5484E-123-020-00	
211	1	VT-124	TRANSMITTER, VIBRATION, 1/2"-MNPT, 0-2 in/s PEAK, -40-212F, 24VDC, 4-20mA, XP, CSA, CL DIV I, GRP B, GRP C, GRP D, CASE: 303SS MFG: METRIX MODEL: ST5484E-123-120-00	
250	1	SHIFT.0011	JACKSHAFT, 2-11/16" OD, 92" OAL, STD KEY/KEYWAY, C-1045, REFER TO BES-201-JACKSHAFT DWG: BES-201-JACKSHAFT	
251	2	JSB-001	ENGINE, BRACKET, JACKSHAFT SUPPORT	
252	1	BEA-211	BEARING, FIXED, BLOCK, 2-11/16" MFG: DODGE MODEL: P2B-S2-211R	
253	1	BEA-211E	BEARING, FLOAT, BLOCK, 2-11-16" MFG: DODGE MODEL: P2B-S2-211RE	
255	4	NPN	ENGINE BELT (SHOP TO DETERMINE LENGTH) 5V	
256	1	WAU-200295H	PULLEY, FRONT CRANKSHAFT, 6 GROOVE, 5V, 9.6" PD (9.7"OD) MFG: WAUKESHA MODEL: 200295H	
257	1	SHE-1107	SHEAVE, 5 GROOVE, 5V, 14" OD, E BUSHING MFG: MASKA MODEL: 5-5V14.00	
258	2	BSH-1010	BUSHING, QD, E, 2-11/16" BORE MFG: MASKA MODEL: EX2-11/16	
260	7	NPN	COOLER BELTER (SHOP TO DETERMINE) 5V	
261	1	SHE-1062	SHEAVE, 7 GROOVE, 5V, 31.5" OD, M BUSHING MFG: MASKA MODEL: 7-5V31.5	
262	1	BSH-1024	BUSHING, QD, M, 225 LB-FT MAX, 3.4375" BORE MFG: MASKA MODEL: MX3-7/16	
263	1	SHE-1058	SHEAVE, 7 GROOVE, 5V, 11.80" OD, F BUSHING MFG: MASKA MODEL: 7-5V11.80	
264	1	BSH-1022	BUSHING, QD, F, 40,000 IN-LB MAX, 2-7/16" BORE MFG: MASKA MODEL: FX2-7/16	
265	1	SHE-1063	SHEAVE, 7 GROOVE, 5V, 9.75" OD, F BUSHING MFG: MASKA MODEL: 7-5V9.75	



K-613

SEP 01 2017
 ORIGINAL VENDOR
 DRAWING
 DO NOT MARK UP

Peyto Explor. & Devel. Corp. #6793

NOTES:
 1. FOR PNEUMATIC TERMINATIONS, HEADERS, AND OTHER COMMON DETAILS, REFER TO DRAWING 16-Q171-000.
 2. ESTIMATED NOISE DATA: 86 dBA @ 1M, 68 dBA @ 15M

UNIT NUMBER	
16-980	<input type="checkbox"/>
16-981	<input type="checkbox"/>
16-982	<input type="checkbox"/>
16-983	<input type="checkbox"/>
16-984	<input type="checkbox"/>
16-985	<input type="checkbox"/>
16-986	<input type="checkbox"/>
16-987	<input type="checkbox"/>

ISSUED FOR CONSTRUCTION
IFC
 2016/11/09

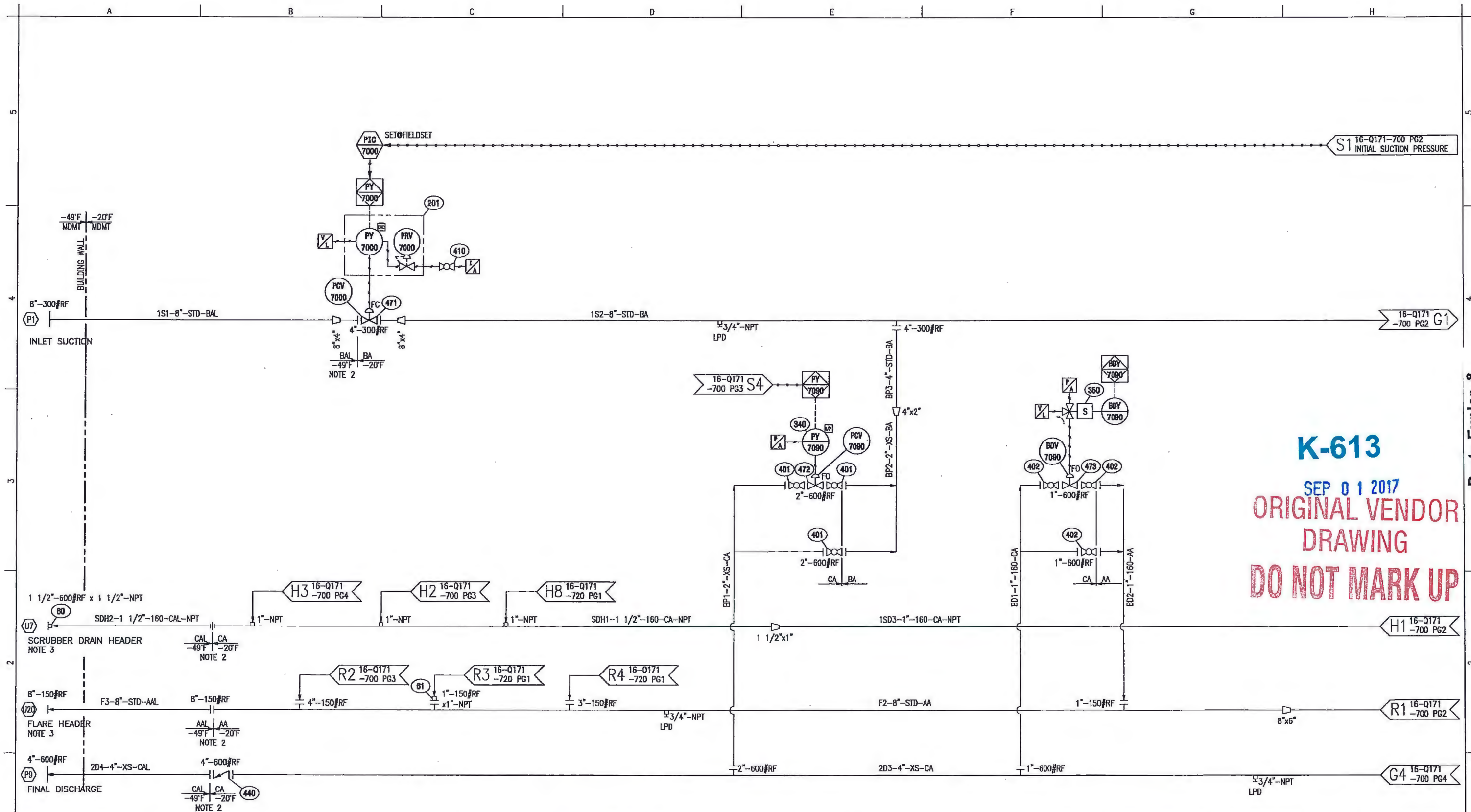
REV	DATE	CREATED	REMOVED	APPROVED	DESCRIPTION
B	16-11-09	SS	GTM	DT	ISSUED FOR CONSTRUCTION
A	16-10-24	SS	GTM	DT	RE-ISSUED FOR APPROVAL
D	16-10-18	SS	GTM	DT	ISSUED FOR APPROVAL

MAIN SHOP / OFFICE: 6900 - 1120th AVE. S.E. CALGARY, AB T2C 4Z1
 PHONE: (403) 235-5877 FAX: (403) 272-7749

BIDELL™ APEGA PERMIT NUMBER P08318
 GAS COMPRESSION

DRIVE TRAIN DIAGRAM
 WAUKESHA L5794LT/ARIEL JGK/4-2/AIR-X LIMITED 144EF-102-24
 CUSTOMER: PEYTO EXPLORATION c/o ONSTREAM ENGINEERING
 LOCATION: BRAZEAU RIVER SHEET#: 1 OF 1
 LSD: 11-12-44-13 WSM JOB#: 16-Q171

PAPER SIZE: 11"x17" SCALE: NTS DWG#: 16-Q171-200 REV: B



K-613

SEP 01 2017
ORIGINAL VENDOR
DRAWING
DO NOT MARK UP

NOTES:
 1. FOR PNEUMATIC TERMINATIONS, HEADERS, AND OTHER COMMON DETAILS, REFER TO DRAWING 16-Q171-000.
 2. LOW TEMP SPEC BREAK TO BE MINIMUM 36" FROM BUILDING WALL.
 3. WE ASSUME THERE IS NO SUPERIMPOSED BACKPRESSURE

UNIT NUMBER	
16-980	<input type="checkbox"/>
16-981	<input type="checkbox"/>
16-982	<input type="checkbox"/>
16-983	<input type="checkbox"/>
16-984	<input type="checkbox"/>
16-985	<input type="checkbox"/>
16-986	<input type="checkbox"/>
16-987	<input type="checkbox"/>

ISSUED FOR CONSTRUCTION

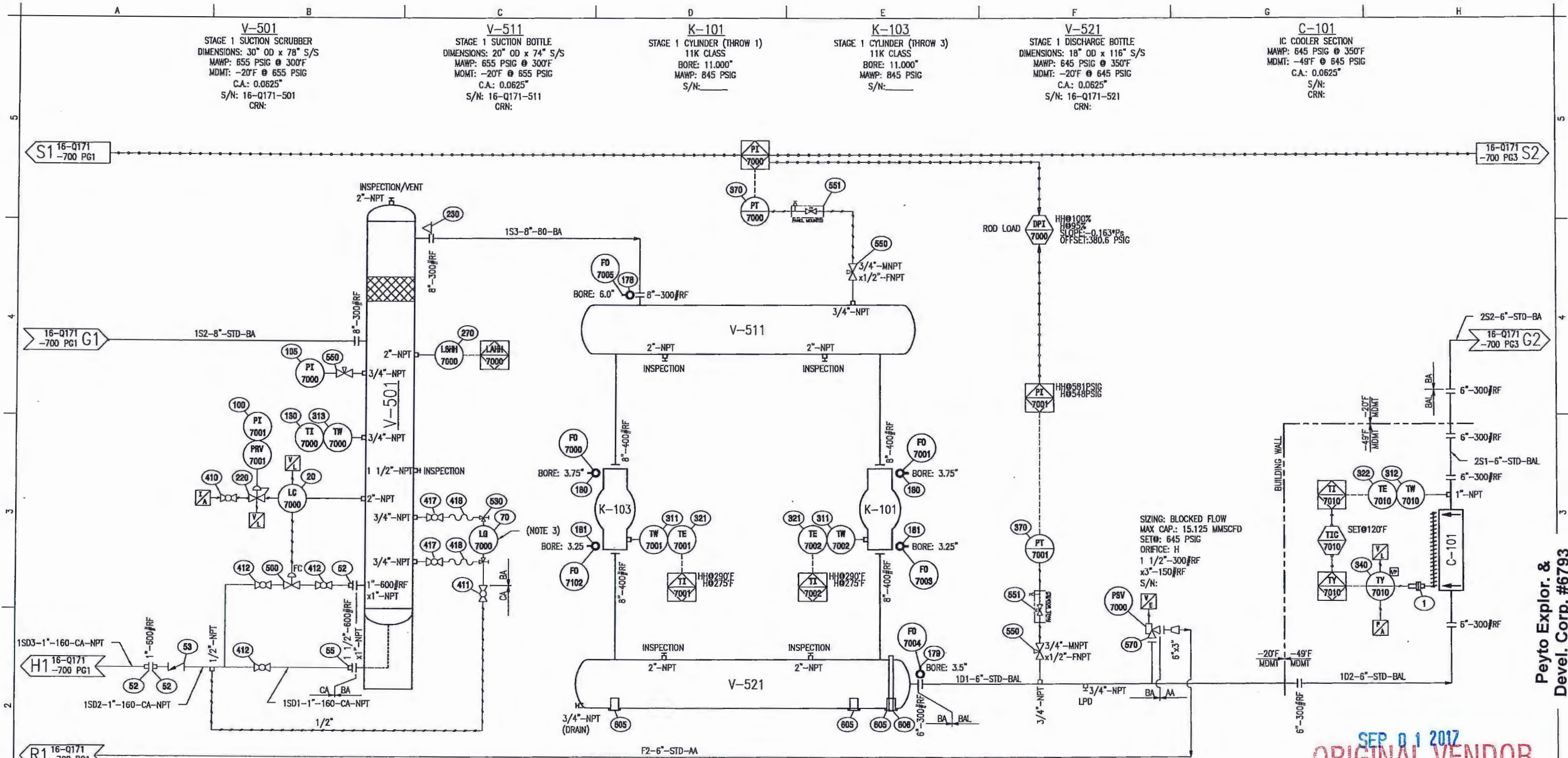
IFC

2016/11/24

REV	DATE	CREATED	REVISION	APPROVED	DESCRIPTION
B	16-11-24	SS	GTM	DT	ISSUED FOR CONSTRUCTION
A	16-10-17	SS	GTM	DT	RE-ISSUED FOR APPROVAL
0	16-10-13	SS	GTM	DT	ISSUED FOR APPROVAL

MAIN SHOP / OFFICE 6900 - 112th AVENUE S.E. CALGARY, AB T2C 4Z1 PHONE: (403) 235-5877 FAX: (403) 272-7749		APEGA PERMIT NUMBER P08318
GAS COMPRESSION SWEET PROCESS FLOW		
WAUKESHA L5794LT/ARIEL JGK/4-2/AIR-X LIMITED 144EF-102-24		
CUSTOMER: PEYTO EXPLORATION c/o ONSTREAM ENGINEERING		
LOCATION: BRAZEAU RIVER LSD: 11-12-44-13 W5M	SHEET#: 1 OF 5 JOB#: 16-Q171	
PAPER SIZE: 11"x17" SCALE: NTS DWG#: 16-Q171-700		REV: B

Peyto Explor. &
 Devel. Corp. #6793



V-501
 STAGE 1 SUCTION SCRUBBER
 DIMENSIONS: 30" OD x 78" S/S
 MAWP: 655 PSIG @ 300°F
 MDMT: -20°F @ 655 PSIG
 C.A.: 0.0625"
 S/N: 16-Q171-501
 CRN:

V-511
 STAGE 1 SUCTION BOTTLE
 DIMENSIONS: 20" OD x 74" S/S
 MAWP: 655 PSIG @ 300°F
 MDMT: -20°F @ 655 PSIG
 C.A.: 0.0625"
 S/N: 16-Q171-511
 CRN:

K-101
 STAGE 1 CYLINDER (THROW 1)
 11K CLASS
 BORE: 11.000"
 MAWP: 845 PSIG
 S/N:

K-103
 STAGE 1 CYLINDER (THROW 3)
 11K CLASS
 BORE: 11.000"
 MAWP: 845 PSIG
 S/N:

V-521
 STAGE 1 DISCHARGE BOTTLE
 DIMENSIONS: 18" OD x 116" S/S
 MAWP: 645 PSIG @ 350°F
 MDMT: -20°F @ 645 PSIG
 C.A.: 0.0625"
 S/N: 16-Q171-521
 CRN:

C-101
 IC COOLER SECTION
 MAWP: 645 PSIG @ 350°F
 MDMT: -49°F @ 645 PSIG
 C.A.: 0.0625"
 S/N:
 CRN:

SIZING: BLOCKED FLOW
 MAX CAP.: 15.125 MMSCFD
 SET@: 645 PSIG
 ORIFICE: H
 1 1/2"-300#RF
 x3"-150#RF
 S/N:

K-613

SEP 01 2017
**ORIGINAL VENDOR
 DRAWING
 DO NOT MARK UP**

Peyto Explor. & Devel. Corp. #6793

- NOTES:
 1. FOR PNEUMATIC TERMINATIONS, HEADERS, AND OTHER COMMON DETAILS, REFER TO DRAWING 16-Q171-000.
 2. REFER TO PAGE 1 FOR DRAWING SPECIFIC NOTES.
 3. LEVEL GAUGE TO BE POST MOUNTED

UNIT NUMBER
16-980
16-981
16-982
16-983
16-984
16-985
16-986
16-987

THIS DRAWING IS SOLE PROPERTY OF BIDEILL EQUIPMENT AND SHALL NOT BE REPRODUCED, COPIED, LENT, ALTERED NOR USED FOR ANY PURPOSE OTHER THAN WHICH IT IS FURNISHED EXCEPT WITH THE WRITTEN PERMISSION OF BIDEILL EQUIPMENT

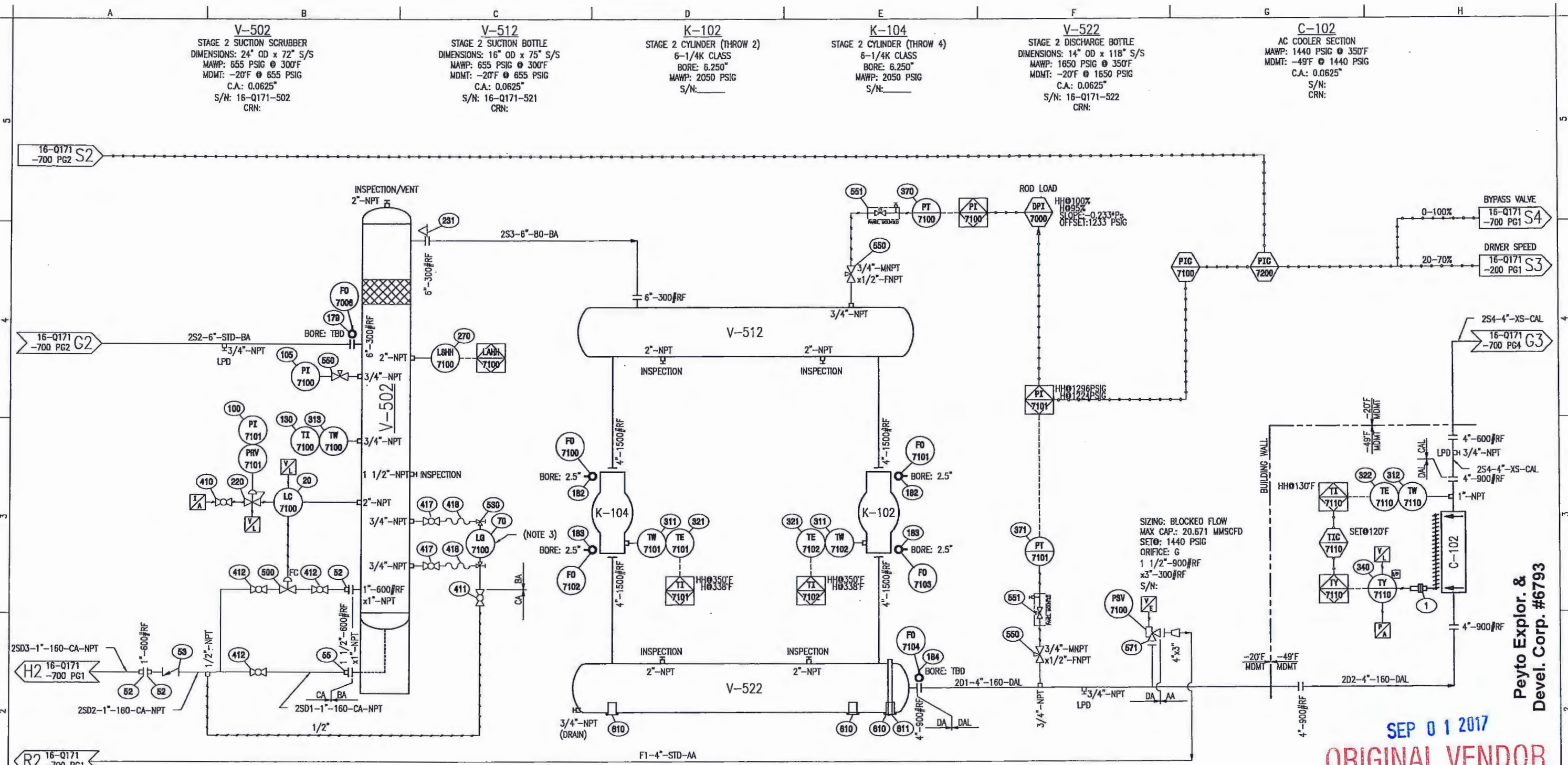
ISSUED FOR CONSTRUCTION
IFC
 2016/11/24

REV	DATE	CREATED	REVIEWED	APPROVED	DESCRIPTION
B	16-11-24	SS	GTM	DT	ISSUED FOR CONSTRUCTION
A	16-10-17	SS	GTM	DT	RE-ISSUED FOR APPROVAL
D	16-10-13	SS	GTM	DT	ISSUED FOR APPROVAL

MAIN SHOP / OFFICE
 6900 - 112th AVENUE SE
 CALGARY, AB T2C 4Z1
 PHONE: (403) 235-5877
 FAX: (403) 272-7748

BIDEILL™ APEGA PERMIT NUMBER P08318
 GAS COMPRESSION
 SWEET PROCESS FLOW
 WAUKESHA L5794LT/ARIEL JGK/4-2/NR-X LIMITED 144EF-102-24
 CUSTOMER: PEYTO EXPLORATION c/o ONSTREAM ENGINEERING
 LOCATION: BRAZEAU RIVER SHEET#: 2 OF 5
 LSD: 11-12-44-13 W5M JOB#: 16-Q171

PAPER SIZE 11"x17" SCALE NTS DWG# 16-Q171-700 REV B



K-613

SEP 01 2017
**ORIGINAL VENDOR
DRAWING
DO NOT MARK UP**

**Peyto Explor. &
Devel. Corp. #6793**

- NOTES:**
- FOR PNEUMATIC TERMINATIONS, HEADERS, AND OTHER COMMON DETAILS, REFER TO DRAWING 16-Q171-000.
 - REFER TO PAGE 1 FOR DRAWING SPECIFIC NOTES.
 - LEVEL GAUGE TO BE POST MOUNTED

UNIT NUMBER	ISSUED FOR CONSTRUCTION
16-980	<input type="checkbox"/>
16-981	<input type="checkbox"/>
16-982	<input type="checkbox"/>
16-983	<input type="checkbox"/>
16-984	<input type="checkbox"/>
16-985	<input type="checkbox"/>
16-986	<input type="checkbox"/>
16-987	<input type="checkbox"/>

THIS DRAWING IS SOLE PROPERTY OF BIDELL EQUIPMENT AND SHALL NOT BE REPRODUCED, COPIED, LENT, ALTERED NOR USED FOR ANY PURPOSE OTHER THAN WHICH IT IS FURNISHED EXCEPT WITH THE WRITTEN PERMISSION OF BIDELL EQUIPMENT

IFC

2016/11/24

REV	DATE	CREATED	REWORK	APPROVED	DESCRIPTION
B	16-11-24	SS	GTM	OT	ISSUED FOR CONSTRUCTION
A	16-10-17	SS	GTM	OT	RE-ISSUED FOR APPROVAL
0	16-10-13	SS	GTM	DT	ISSUED FOR APPROVAL

MAIN SHOP / OFFICE
6900 - 112th AVENUE S.E.
CALGARY, AB T2C 4Z1
PHONE: (403) 235-5877
FAX: (403) 272-7749

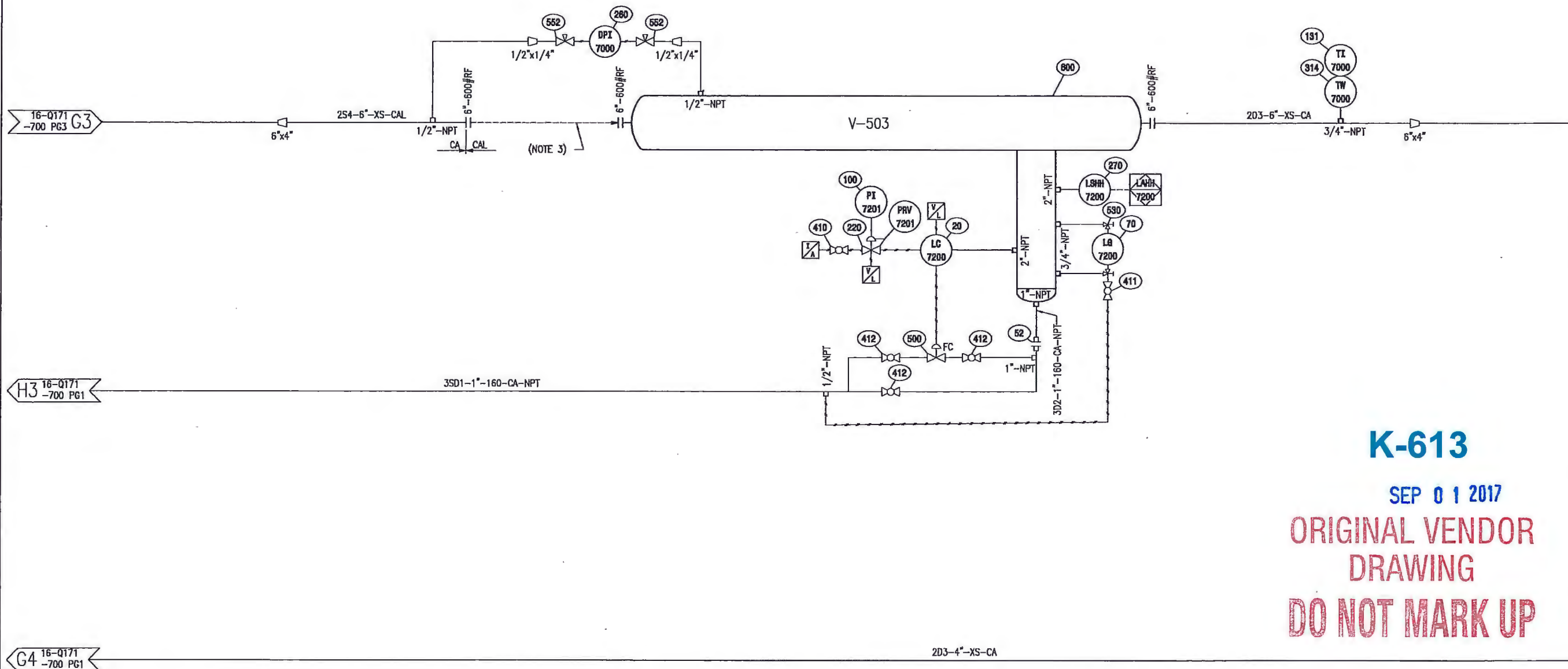
BIDELL™ APEGA PERMIT NUMBER P08318
GAS COMPRESSION

SWEET PROCESS FLOW
WAUKESHA L5794LT/ARIEL JGK/4-2/AIR-X LIMITED 144EF-102-24
CUSTOMER: PEYTO EXPLORATION c/o ONSTREAM ENGINEERING
LOCATION: BRAZEAU RIVER
LSD: 11-12-44-13 WSM

SHEET#: 3 OF 5
JOB#: 16-Q171

PAPER SIZE 11"x17" SCALE NTS DWG# 16-Q171-700 REV B

V-503
 DISCHARGE FILTER/COALESCER
 DIMENSIONS: 12" OD x 151" S/S
 MAWP: 1440 PSIG @ 130°F
 MDMT: -20°F @ 1440 PSIG
 C.A.: 0.0625"
 S/N: 16-Q171-503
 CRN:



K-613

SEP 01 2017

ORIGINAL VENDOR
 DRAWING
 DO NOT MARK UP

NOTES:
 1. FOR PNEUMATIC TERMINATIONS, HEADERS, AND OTHER COMMON DETAILS, REFER TO DRAWING 16-Q171-000.
 2. REFER TO PAGE 1 FOR DRAWING SPECIFIC NOTES.
 3. PIPE SPOOL WITH MESH INTERNALS C/W DISCHARGE SEPARATOR

UNIT NUMBER	
16-980	<input type="checkbox"/>
16-981	<input type="checkbox"/>
16-982	<input type="checkbox"/>
16-983	<input type="checkbox"/>
16-984	<input type="checkbox"/>
16-985	<input type="checkbox"/>
16-986	<input type="checkbox"/>
16-987	<input type="checkbox"/>

THIS DRAWING IS SOLE PROPERTY OF BIDELL EQUIPMENT AND SHALL NOT BE REPRODUCED, COPIED, LENT, ALTERED NOR USED FOR ANY PURPOSE OTHER THAN WHICH IT IS FURNISHED EXCEPT WITH THE WRITTEN PERMISSION OF BIDELL EQUIPMENT

ISSUED FOR CONSTRUCTION
IFC
 2016/11/24

REV	DATE	CREATED	REMOVED	APPROVED	DESCRIPTION
B	16-11-24	SS	GTM	DT	ISSUED FOR CONSTRUCTION
A	16-10-17	SS	GTM	DT	RE-ISSUED FOR APPROVAL
0	16-10-13	SS	GTM	DT	ISSUED FOR APPROVAL

MAN SHOP / OFFICE
 6900 - 112th AVENUE S.E.
 CALGARY, AB T2C 4Z1
 PHONE: (403) 235-5877
 FAX: (403) 272-7749

BIDELL™ APEGA PERMIT NUMBER P08318
 GAS COMPRESSION

SWEET PROCESS FLOW
 WAUKESHA L5794LT/ARIEL JGK/4-2/AIR-X LIMITED 144EF-102-24
 CUSTOMER: PEYTO EXPLORATION c/o ONSTREAM ENGINEERING
 LOCATION: BRAZEAU RIVER SHEET#: 4 OF 5
 LSD: 11-12-44-13 WSM JOB#: 16-Q171

PAPER SIZE 11"x17" SCALE NTS DWG# 16-Q171-700 REV B

Peyto Explor. & Devel. Corp. #6793

MARK/TAG	QTY	PART NUMBER	DESCRIPTION	NOTE
550	6	NVSA-076M	VALVE, NEEDLE, 3/4" M X 1/2" F, NPT, 6000#, SWT MFG: WESTERN GAUGE MODEL: WN1637P	
551	4	PNL0001	PANEL MOUNTED BALL VALVE AND TEST TEE, 1/4", 316SS MFG: SWAGelok MODEL: SS-43CS4	
552	2	NVSA-026F	VALVE, NEEDLE, 1/4" F X 1/4" F, NPT, 6000#, SWT MFG: WESTERN GAUGE MODEL: WN1612PN	
570	1	PSV-1360	VALVE, RELIEF, 1-1/2"-300#RF X 3"-150#RF, H, SNAP PILOT, BOLTED BONNET, REVERSE FLOW PREVENTER, BODY:WCB, TRIM:316 SS, SEAT:316 SS, SPRING:316 SS, NACE0175 MFG: FARRIS MODEL: 38HC12-126/S7	
571	1	PSV-1361	VALVE, RELIEF, 1-1/2"-900#RF X 3"-300#RF, G, SNAP PILOT, BOLTED BONNET, REVERSE FLOW PREVENTER, BODY:WCB, TRIM:316 SS, SEAT:316 SS, SPRING:316 SS, NACE0175 MFG: FARRIS MODEL: 38GC14-126/00	
600	1	VES-1278	VESSEL, DISCHARGE COALESCER, 12.75" OD X 151.25" F/F, 6"-600#RF IN/OUT, MAWP:1440PSIG@130°F, 0.0625" CA, -29°F MDMT, 1700 LBS MFG: GEQUIP MODEL: TBD	
605	3	VES-1029	SUPPORT, BOTTLE WEDGE, FOR 6" STRINGER DWG: BOTTLE_WEDGE	
606	1	STLA.0028	STEEL, ASSEMBLY, DISCHARGE BOTTLE STRAP, 18" OD, CS, MTO	
610	3	VES-1031	SUPPORT, BOTTLE WEDGE, FOR 4" STRINGER	
611	1	STLA.0026	STEEL, ASSEMBLY, DISCHARGE BOTTLE STRAP, 14" OD, CS, MTO	

MARK/TAG	QTY	PART NUMBER	DESCRIPTION	NOTE
314	1	TOW-475N	THERMOWELL, STRAIGHT, 3/4"-MNPT X 1/2"-FNPT, 2.5" U, 4.25" OAL, 0.26" BORE, BODY:316 SS MODEL: 3/4-040-316ST	
321	4	TCP-K753	THERMOCOUPLE, "K", 1/2" NPT, 1/4" OD X 7-1/2" STEM, 316 SS MFG: WESTERN GAUGE MODEL: 1K1BKU7.5ZZ3120FTA	
322	2	TCP-K1053	THERMOCOPL, TYPE "K", 1/2"NPT, 1/4"OD X 10-1/2", 316SS MODEL: 1K1BKU10.5ZZ3120FTA	
340	(3)	PNL-114	TRANSDUCER, I/P, 4-20 mA IN, 6-30 PSIG OUT, CSA MFG: FISHER MODEL: I2P-X28	C/W PANEL
350	(1)	SOL-002	VALVE, SOL, 3/2, 1/4"FNPT, 115PSID MAX, 3/32"ORF, NC, 24VDC, SST MFG: ASCO MODEL: EF8320G202-24	C/W PANEL
370	(3)	ELE-1132	TRANSMITTER, PRESSURE, 1/4"-MNPT, 0-1500PSIG, 4-20mA, BURST:7500PSIG@185°F, CSA, CL I DIV, GR A, B, C, D, XP, BODY:304 SS, TRIM:INCONEL, NACE0175 MFG: ASCO MODEL: 46-A-01500-P-4-W-1-000	C/W PANEL
371	(1)	PT-1054	TRANSMITTER, PRESSURE, 1/4"-MNPT, 0-2000PSIG, 4-20mA, CSA, CL I DIV I, GR A, B, C, D, XP, WETTED MATERIALS:INCONEL MFG: ASCO MODEL: 46-A-02000-P-4-W-2-000Z	C/W PANEL
401	3	BVF-1039	VALVE, BALL, 2"-600#RF, FP, 2PCS, FL, NACE MFG: JAG MODEL: FB2-F20R06N	
402	3	BV-1038	VALVE, BALL, 1"-600#RF, FP, 3PCS, FL, NACE MFG: JAG MODEL: T3-F10R06N	
410	4	BVSF-022CS	VALVE, BALL, 1/4"-FNPT, 2000#, FP, 2PC, SWEET MFG: FUSION MODEL: 428TF002F20N1AM	
411	3	BV-1193	VALVE, BALL, 1/2"-FNPT, CL1500, BODY:A105N, SEAT:DELRI, TRIM:316 SS, FP, FLOATING, 3 PIECE THREADED, LOCKABLE LEVER, NACE MFG: JAG MODEL: T3-F05T15N	
412	9	BVS-0025	VALVE, BALL, 1"-NPT, CL1500, FP, 3PCS, FL, NACE MFG: JAG MODEL: T3-F10T15N	
417	4	BV-1190	VALVE, BALL, 3/4"-FNPT, CL1500, BODY:A105N, SEAT:DELRI, TRIM:TEFLON, FP, FLOATING, 3 PIECE THREADED, LOCKABLE LEVER, NACE MFG: JAG MODEL: T3-F07T15N	
418	4	HOS-1011	HOSE, SS BRAIDED FLEX, 1/2", TUBE STUB ENDS 30" OAL MAWP 3700PSI MODEL: 9H-9-TU-08-08-08-08-C-316-30	
440	1	SCF-1144	VALVE, CHECK, PISTON, 4"-600#RF, BODY:A216-WCB, SEAT:A351-CFBM, TRIM:316 SS, SPRING:INCONEL, NON-SLAM, SWEET, 17°F/F MFG: DFT MODEL: 31-2L1C-4A5	
471	1	PCV-1094	VALVE, CONTROL, V-BALL, 4"-300#RF, FC, MAX 350 PSID, BODY:WCC, BALL: 317SST, NACE 0175,C/W 2052-2 ACTUATOR, STYLE D, POS 1, C/W DVC6200AC, XP, C/W REG MFG: FISHER MODEL: V200-2052-2 / DVC6200 / 67CFR	
472	1	PCV-1390	VALVE, CONTROL, GLOBE, 2"-600#RF, FO, 3750PSID MAX, 1-1/4" PORT, CL IV, Cv(1)=34.5, BODY:LCC, MICRO FORM, NACE0175, SIZE 46I ACTR, 6-30PSIG MFG: FISHER MODEL: D-BODY 657-46	
473	1	PCV-1097	VALVE, CONTROL, GLOBE, 1"-600#RF, FO, 1/4" PORT, 1480PSID MAX, CLASS IV, Cv(1)=1.76, BODY:A352 LCC, TRIM:17-4PH SS, NACE0175 MFG: FISHER MODEL: D4	
500	3	PCV-100	VALVE, CONTROL, 1"-NPT, CL900, FC, 0-35PSIG, BODY:LCC, SA352 MFG: FISHER MODEL: D2	
530	3	LLG-190	GAUGE, LEVEL, COCKS, 3/4"-MNPT X 1/2"-FNPT, OFFSET/FLATGLASS, MAWP:4000PSIG@100°F, SWEET MFG: PENBERTHY MODEL: 330J	

MARK/TAG	QTY	PART NUMBER	DESCRIPTION	NOTE
1	2	BEP-501-4-315	ACTUATOR GARZO	
20	3	LLC-200A	CONTROLLER, LEVEL, PNEUMATIC, 2"-NPT, SOUR MFG: MURPHY MODEL: LS200NDVO	
52	7	FLG.T.FFR.FN	FLANGE, THREADED, 1"-600#RF, SA-105N	
53	2	SCS-0014	VALVE, CHK, SWING, 1", FNPT, CL800, SWT MFG: NEWCO MODEL: 1.00-38T-FS2	
55	2	FLG.T.HFR.FN	FLANGE, THREADED, 1-1/2"-600#RF, SA-105N	
60	1	FLG.T.HFR.FL	FLANGE, THREADED, 1-1/2"-600#RF, SA-350-LF2 GR1	
61	1	FLG.T.FBR.FN	FLANGE, THREADED, 1"-150#RF, SA-105N	
70	3	LLG-109	GAUGE, LEVEL, REFLEX, 1/2"-NPT, MAWP:1800PSIG@100°F, SWEET MFG: PENBERTHY MODEL: 1RL9	
100	3	PI-20-0060	IND, PRESS, 0-60PSI, 2"DIAL, 1/4"NPT, CBM, BR MFG: WESTERN GAUGE MODEL: WJ2046	
105	2	PI-45-1000	IND, PRESS, 0-1000 PSI, 4.5" DIAL, 1/2"-NPT, BTM, 316LSS MFG: WESTERN GAUGE MODEL: P5672P	
130	2	TI-36-160	IND, TEMP, -40-160°F, 3"DIAL, 1/2"-NPT, 1/4" X 6", CBM, SS MFG: WESTERN GAUGE MODEL: WL31302	
131	1	TI-34-250	IND, TEMP, 0-250°F, 3"DIAL, 1/2"-NPT, 1/4" X 4", CBM, SS MFG: WESTERN GAUGE MODEL: WL31205	
178	1	OP-1006	ORIFICE PLATE, 8"-300#RF, 1/4" THK, SS	BORE: 6"
179	2	OP-11H	ORIFICE PLATE, 6"-300#RF, 1/8" THK, SS	BORE: 3.5"
180	2	OP-12G	ORIFICE PLATE, 8"-400#RF, 1/4" THK, SS	BORE: 3.75"
181	2	OP-12G	ORIFICE PLATE, 8"-400#RF, 1/4" THK, SS	BORE: 3.25"
182	2	OP-1002	ORIFICE PLATE, 4"-1500#RF, 1/4" THK, SS	BORE: 2.5"
183	2	OP-1002	ORIFICE PLATE, 4"-1500#RF, 1/4" THK, SS	BORE: 2.5"
184	1	OP-14G250	ORIFICE PLATE, 4"-900#RF, 1/4" THK, SS	BORE: 2.75"
201	(1)	POS-1011	POSITIONER, 4-20 mA, LOW BLEED, AUTO CALIBRATE DIAGNOSTIC, XP, INTRINSIC SAFE, DUST IGN PRF, NON-INCN, C/W REGULATOR, 1/4"-NPT, 0-35 PSIG, FM APPROVAL MFG: FISHER MODEL: DVC6200AC / 67CFR	C/W SPCV
220	3	PRV-020	REGULATOR, 1/4"-FNPT, 0-35 PSIG RANGE, THREADED BONNET MFG: FISHER MODEL: 67CFR-362/SC/20	
230	1	CST-1005	STRAINER, CONE, CS, 8" 300# RF, SCH 160, 150%OA, 316SS, 40 MESH	
231	1	CST-019J	STRAINER, CONE, CS, 6" 300# RF, XXH, 150%OA, 316SS, 40 MESH	
260	1	PI-1036	GAUGE, PRESSURE, DIFFERENTIAL, 0-30PSID, 2-1/2" DIAL, 1/4"-FNPT LBM, BURST:6000PSIG@200°F, CASE:POCAN, TRIM:316 SS, SWEET, SPRING/PISTON MFG: WIKA MODEL: 700.04	
270	3	LLS-1012	SWITCH, LEVEL, ELECTRIC, 2"-NPT, 2000PSI, NACE, XP MFG: MURPHY MODEL: MLS-020	
311	4	TOW-1121	THERMOWELL, STRAIGHT, 1/2"-MNPT X 1/2"-FNPT, 6.00" U, 1.75" HEAD, 7.50" BORE DEPTH, 0.260" BORE, STEM:316/316L SS, NACE0175 MFG: WIKA MODEL: TW15	
312	2	TOW-1120	THERMOWELL, STRAIGHT, 1"-MNPT X 1/2"-FNPT, 6.00" U, 1.75" HEAD, 7.50" BORE DEPTH, 0.260" BORE, STEM:316/316L SS, NACE0175 MFG: WIKA MODEL: TW15	
313	2	TOW-680N	THERMOWELL, STRAIGHT, 3/4"-MNPT X 1/2"-FNPT, 4.5" U, 6.25" OAL, 0.26" BORE, BODY:316 SS MFG: WESTERN GAUGE MODEL: 3/4-060-316ST	

SEP 01 2017
ORIGINAL VENDOR
DRAWING
DO NOT MARK UP

K-613

BOM NOTES:
 1. ITEMS WITH QUANTITIES ENCLOSED IN BRACKETS () COME WITH ANOTHER BOM ITEM, AND DO NOT NEED TO BE PURCHASED SEPARATELY.

UNIT NUMBER	
16-980	<input type="checkbox"/>
16-981	<input type="checkbox"/>
16-982	<input type="checkbox"/>
16-983	<input type="checkbox"/>
16-984	<input type="checkbox"/>
16-985	<input type="checkbox"/>
16-986	<input type="checkbox"/>
16-987	<input type="checkbox"/>

THIS DRAWING IS SOLE PROPERTY OF BIDELL EQUIPMENT AND SHALL NOT BE REPRODUCED, COPIED, LENT, ALTERED NOR USED FOR ANY PURPOSE OTHER THAN WHICH IT IS FURNISHED EXCEPT WITH THE WRITTEN PERMISSION OF BIDELL EQUIPMENT

ISSUED FOR CONSTRUCTION

IFC

2016/11/24

REV	DATE	CREATED	REMOVED	APPROVED	DESCRIPTION
B	16-11-24	SS	GTM	DT	ISSUED FOR CONSTRUCTION
A	16-10-17	SS	GTM	DT	RE-ISSUED FOR APPROVAL
O	16-10-13	SS	GTM	DT	ISSUED FOR APPROVAL

MAIN SHOP / OFFICE
 6900 - 1120th AVENUE S.E.
 CALGARY, AB T2C 4Z1
 PHONE: (403) 235-5877
 FAX: (403) 272-7749

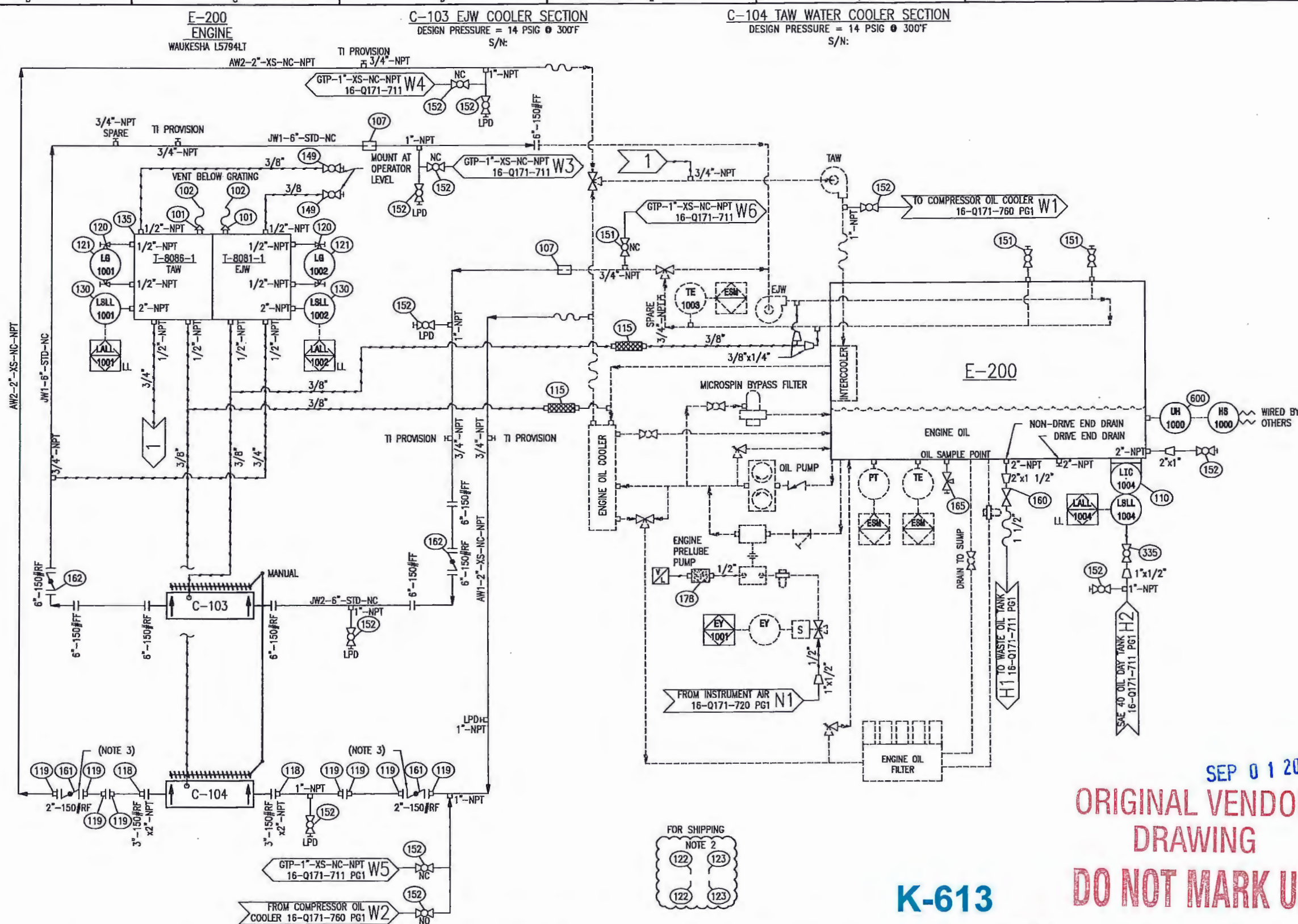
BIDELL™ APEGA PERMIT NUMBER P08318
 GAS COMPRESSION

SWEET PROCESS FLOW
 WAUKESHA L5794LT/ARIEL JGK/4-2/AIR-X LIMITED 144EF-102-24

CUSTOMER: PEYTO EXPLORATION c/o ONSTREAM ENGINEERING
 LOCATION: BRAZEAU RIVER SHEET#: 5 OF 5
 LSD: 11-12-44-13 W5M JOB#: 16-Q171

PAPER SIZE 11"x17" SCALE NTS DWG# 16-Q171-700 REV B

Peyto Explor. & Devel. Corp. #6793



Peyto Explor. & Devel. Corp. #6793

ORIGINAL VENDOR DRAWING
DO NOT MARK UP

K-613

SEP 01 2017

- NOTES:**
1. FOR PNEUMATIC TERMINATIONS, HEADERS, AND OTHER COMMON DETAILS, REFER TO DRAWING 16-Q171-000.
 2. BLINDS FOR SHIPPING COOLER.
 3. BUTTERFLY VALVES TO BE INSTALLED INSIDE THE BUILDING.

UNIT NUMBER	
16-980	<input type="checkbox"/>
16-981	<input type="checkbox"/>
16-982	<input type="checkbox"/>
16-983	<input type="checkbox"/>
16-984	<input type="checkbox"/>
16-985	<input type="checkbox"/>
16-986	<input type="checkbox"/>
16-987	<input type="checkbox"/>

THIS DRAWING IS SOLE PROPERTY OF BIDELL EQUIPMENT AND SHALL NOT BE REPRODUCED, COPIED, LENT, ALTERED NOR USED FOR ANY PURPOSE OTHER THAN WHICH IT IS FURNISHED EXCEPT WITH THE WRITTEN PERMISSION OF BIDELL EQUIPMENT

IFC

2016/11/21

REV	DATE	DRAWN	REMOVED	APPROVED	DESCRIPTION
B	16-11-21	SS	GTM	DT	ISSUED FOR CONSTRUCTION
A	16-10-25	SS	GTM	DT	RE-ISSUED FOR APPROVAL
O	16-10-18	SS	GTM	DT	ISSUED FOR APPROVAL
REVISIONS					

MAIN SHOP / OFFICE
6900 - 112th AVENUE S.E.
CALGARY, AB T2C 4Z1
PHONE: (403) 235-5877
FAX: (403) 272-7749

BIDELL™

APEGA PERMIT NUMBER P08318
GAS COMPRESSION

ENGINE OIL & COOLANT UTILITY FLOWSHEET
WAUKESHA L5794LT/ARIEL JCK/4-2/AIR-X LIMITED 144EF-102-24
CUSTOMER: PEYTO EXPLORATION c/o ONSTREAM ENGINEERING
LOCATION: BRAZEAU RIVER
LSD: 11-12-44-13 W5M

SHEET#: 1 OF 2
JOB#: 16-Q171

PAPER SIZE 11"x17" SCALE NTS DWG# 16-Q171-710 REV B

ASSEMBLY BILL OF MATERIALS				
MARK/TAG	QTY	PART NUMBER	DESCRIPTION	NOTE
101	2	TNK-306	TANK, SURGE, FILLER NECK ASSEMBLY, C/W AUTOMOTIVE RAD CAP, SET @ 7 PSIG	
102	2	HOS-1057	HOSE, 3/8", BLUE, PUSH-ON, -40-200F, MAWP: 270PSIG@100F, 80PSIG@200F MFG: SWAGelok MODEL: PB-6	
107	2	HOS-6060	CONNECTOR, FLEX, 6", HIGH TEMP BUNA N GASKET MFG: AEROQUIP MODEL: NH1600N600B0650	
110	1	LLC-535	CONTROLLER, OIL LEVEL, XP, WALKESHA VHP MOUNT MFG: KENCO MODEL: KLCE-27	
115	2	HOS-1008	HOSE, FLEX, 3/8", TUBE STUB, CL150, 10" LG, SS BRAD MFG: UNIFIED ALLOYS MODEL: P919TU-TU-06-06-06-C-316	
118	2	BWF-1276	FLANGE, HUB, 3"-150#RF x 2"-NPT, SA-105N	
119	8	BWF-D0D	FLANGE, SCREWED, 2"-150#RF, SA105N	
120	2	TNK-200	VALVE, TUBULAR GAUGE COCKS, 1/2"-NPT X 5/8"-TUBING, BRONZE, SWEET MFG: PENBERTHY MODEL: Z84-A	
121	2	TNK-293	GAUGE, LEVEL, GLASS, 5/8" OD MFG: PENBERTHY MODEL: Z18515	
122	2	BWF-C0J	FLANGE, BLIND, RF, 6"-150#, SA105N	
123	2	BWF-C0D	FLANGE, BLIND, RF, 2"-150#, SA105N	
130	2	LLS-1012	SWITCH, LEVEL, ELECTRIC, 2"-NPT, 2000PSI, NACE, XP MFG: MURPHY MODEL: MLS-020	
135	1	TNK-011	TANK, SURGE, 2 COMPARTMENT MODEL: SRG-TNK-2C	
149	2	BVSF-032CS	VALVE, BALL, 3/8"-FNPT, 2000#, FP, 2PC, SWEET MFG: FUSION MODEL: 428TF003F20N1AN	
151	3	BVSF-072CS	VALVE, BALL, 3/4"-FNPT, 2000#, FP, 2PC, SWT MFG: FUSION MODEL: 428TF007F20N1AN	
152	12	BVSF-102CS	VALVE, BALL, 1"-FNPT, 2000#, FP, 2PC, SWT MFG: FUSION MODEL: 428TF010F20N1AN	
160	1	GTS-0015	VALVE, GATE, 1-1/2"-FNPT, CL800, SWEET MFG: NEWCO MODEL: 18T-FS2-RP-1-1/2"	
161	2	BFV-1006	VALVE, BUTTERFLY, 2"-125#RF, WAFER, 1-11/16" F/F, SWT MFG: PREDATOR MODEL: EW52NBL08	
162	2	BFV-1009	VALVE, BUTTERFLY, 6"-125#RF, WAFER, 2-1/4" F/F, SWT MFG: PREDATOR MODEL: EW52NBL13	
165	1	NVSA-026F	VALVE, NEEDLE, 1/4" x 1/4" F, 6000#, SWT MFG: WESTERN GAUGE MODEL: WN1612PN	
178	1	YAM-682515	MUFFLER FOR YAMADA MODEL# NDP20BAN-1S, 1" DIAPHRAGM PUMP MFG: YAMADA MODEL: 682515	
335	1	BV-1015	VALVE, BALL, 1/2"-FNPT, CL3000#, FP, 2PCS, FL, SWT MFG: WKM MODEL: WKM 1/2F-B138-CS-43-CS-WR	
600	1	HEE-1000	HEATER, IMMERSION, 2"NPT, 14"LG, 480V/3PH/60HZ, 1450W, XP MFG: CALDRITECH MODEL: CXFT314P214X-OXX	

K-613

SEP 01 2017

**ORIGINAL VENDOR
DRAWING**

DO NOT MARK UP

Peyto Explor. & Devel. Corp. #6793

UNIT NUMBER	
16-980	<input type="checkbox"/>
16-981	<input type="checkbox"/>
16-982	<input type="checkbox"/>
16-983	<input type="checkbox"/>
16-984	<input type="checkbox"/>
16-985	<input type="checkbox"/>
16-986	<input type="checkbox"/>
16-987	<input type="checkbox"/>

THIS DRAWING IS SOLE PROPERTY OF BIDELL EQUIPMENT AND SHALL NOT BE REPRODUCED, COPIED, LENT, ALTERED NOR USED FOR ANY PURPOSE OTHER THAN WHICH IT IS FURNISHED EXCEPT WITH THE WRITTEN PERMISSION OF BIDELL EQUIPMENT

ISSUED FOR CONSTRUCTION

IFC

2016/11/21

REV	DATE	DRAWN	REMOVED	APPROVED	DESCRIPTION
B	16-11-21	SS	GTM	DT	ISSUED FOR CONSTRUCTION
A	16-10-25	SS	GTM	DT	RE-ISSUED FOR APPROVAL
O	16-10-18	SS	GTM	DT	ISSUED FOR APPROVAL

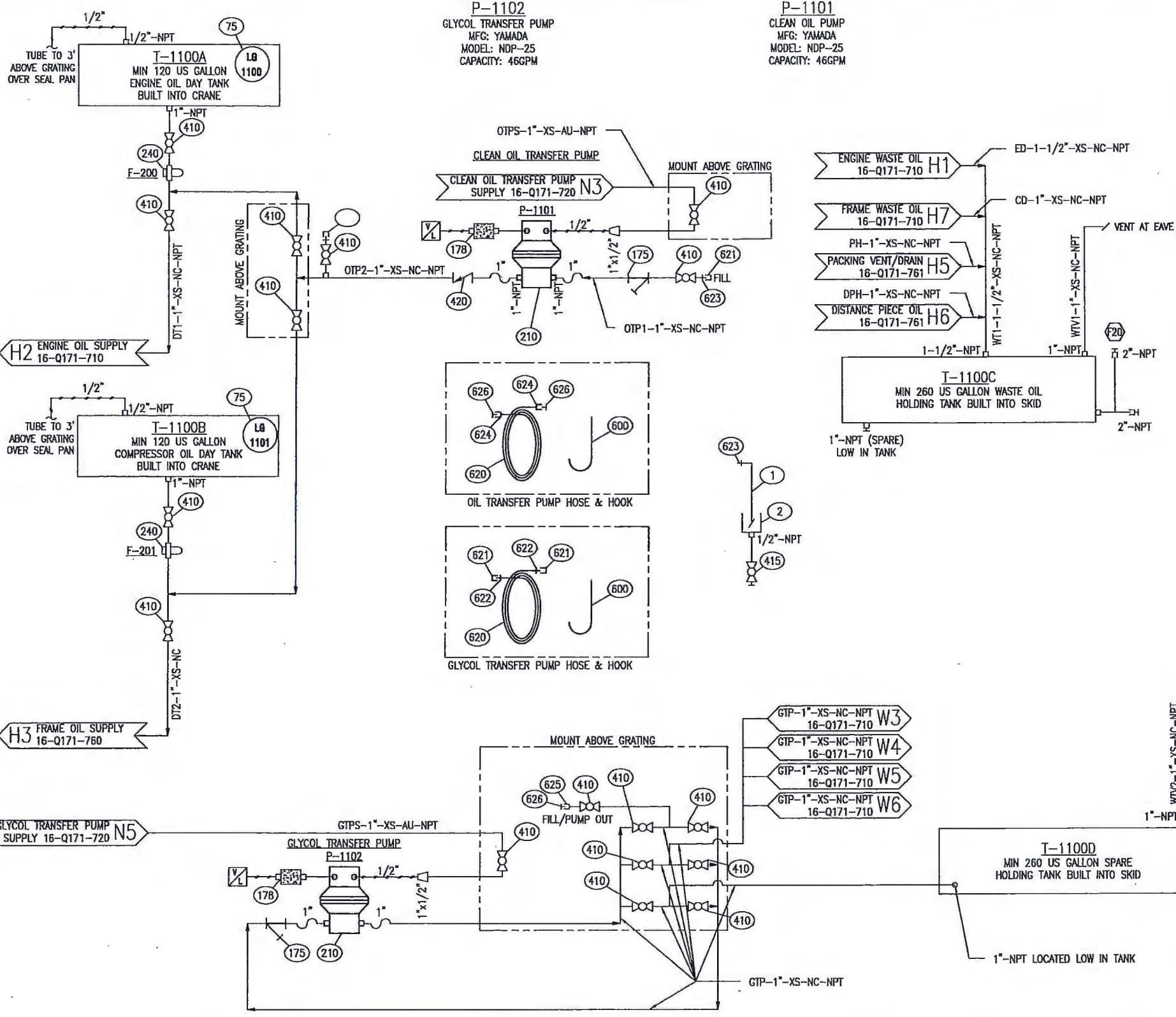
MAIN SHOP / OFFICE
6900 - 112th AVENUE S.E.
CALGARY, AB T2C 4Z1
PHONE: (403) 235-5877
FAX: (403) 272-7749

BIDELL™
GAS COMPRESSION

APEGA PERMIT NUMBER
P08318

ENGINE OIL & COOLANT UTILITY FLOWSHEET
WALKESHA L5794LT/ARIEL JGK/4-2/AIR-X LIMITED 144EF-102-24
CUSTOMER: PEYTO EXPLORATION c/o ONSTREAM ENGINEERING
LOCATION: BRAZEAU RIVER
LSD: 11-12-44-13 WSM
SHEET#: 2 OF 2
JOB#: 16-Q171

PAPER SIZE 11"x17" SCALE NTS DWG# 16-Q171-710 REV B



MARK/TAG	QTY	PART NUMBER	DESCRIPTION	NOTE
1	1	NPN	BARREL PUMP OUT (STINGER)	
2	1	NPN	BARREL PUMP OUT (STORAGE HOLSTER)	
75	2	TNK-217	GAUGE, LEVEL, TANK, ALUMINUM MFG: NORCAN FLUID POWER MODEL: YB4353-0900	
175	2	YSS-210	STRAINER, Y, 1"-NPT, 100 MESH, SOUR	
178	(2)	YAM-682515	MUFFLER FOR YAMADA MODEL# NDP20BAN-1S, 1" DIAPHRAGM PUMP MFG: YAMADA MODEL: 682515	C/W PUMP
210	2	PMP-1084	PUMP, DIAPHRAGM, SINGLE, 1"-FNPT X 1"-FNPT, 46.2GPM, AIR SUPPLY MFG: YAMADA MODEL: NDP-25BAN-CSA	
240	2	TNK-310	FILTER, 1"-NPT, 9 MICRON MFG: BALDWIN MODEL: BF914	
410	21	BVSF-102CS	VALVE, BALL, 1"-FNPT, 2000#, FP, 2PC, SWT MFG: FUSION MODEL: 428TF010F20N1AN	
415	1	BVSF-052CS	VALVE, BALL, 1/2"-FNPT, 2000#, FP, 2PC, SWT MFG: FUSION MODEL: 428TF005F20N1AN	
420	1	SCS-0014	VALVE, CHK, SWING, 1", FNPT, CL800, SWT MFG: NEWCO MODEL: 1.00-38T-FS2	
600	2	HEG-920	HEATER, CABLE BRACKET	
620	2	HOS-5001	HOSE, PETROLEUM, "GOODYEAR" MODEL AGF-100, 1", 30 FT LG MFG: GOODYEAR MODEL: AGF-100	
621	3	HOS-5002	ADAPTER, 1"FCAM DUST CAP MFG: EAGLE MODEL: EAAL100DC	
622	2	HOS-5003	ADAPTER, 1" M-CAM x 1" HOSE, AL MFG: EAGLE MODEL: EAAL100E	
623	2	HOS-5004	ADAPTER, 1" M-CAM x 1"-MNPT, AL MFG: EAGLE MODEL: EAAL100F	
624	2	HOS-5005	ADAPTER, 1" HOSE x 1" FCAM, AL MFG: EAGLE MODEL: EAAL100C	
625	1	HOS-5007	ADAPTER, 1" F-CAM x 1" MNPT, AL MFG: EAGLE MODEL: EAAL-100B	
626	3	HOS-5012	ADAPTER, 1", CAM-LOK, DUST PLUG MFG: EAGLE MODEL: EAAL-100DP	

K-613
 SEP 01 2017
 ORIGINAL VENDOR
 DRAWING
 DO NOT MARK UP

Peyto Explor. & Devel. Corp. #6793

NOTES:
 1. FOR PNEUMATIC TERMINATIONS, HEADERS, AND OTHER COMMON DETAILS, REFER TO DRAWING 16-Q171-000.

UNIT NUMBER	
16-990	<input type="checkbox"/>
16-981	<input type="checkbox"/>
16-982	<input type="checkbox"/>
16-983	<input type="checkbox"/>
16-984	<input type="checkbox"/>
16-985	<input type="checkbox"/>
16-986	<input type="checkbox"/>
16-987	<input type="checkbox"/>

THIS DRAWING IS SOLE PROPERTY OF BIDEAL EQUIPMENT AND SHALL NOT BE REPRODUCED, COPIED, LENT, ALTERED NOR USED FOR ANY PURPOSE OTHER THAN WHICH IT IS FURNISHED EXCEPT WITH THE WRITTEN PERMISSION OF BIDEAL EQUIPMENT

ISSUED FOR CONSTRUCTION

IFC

2016/11/22

REV	DATE	CREATED	REVISION	APPROVED	DESCRIPTION
B	16-11-21	SS	GTM	DT	ISSUED FOR CONSTRUCTION
A	16-10-24	SS	GTM	DT	RE-ISSUED FOR APPROVAL
0	16-10-18	SS	GTM	DT	ISSUED FOR APPROVAL

MAIN SHOP / OFFICE
 6900 - 112th AVENUE S.E.
 CALGARY, AB T2C 4Z1
 PHONE: (403) 235-5877
 FAX: (403) 272-7749

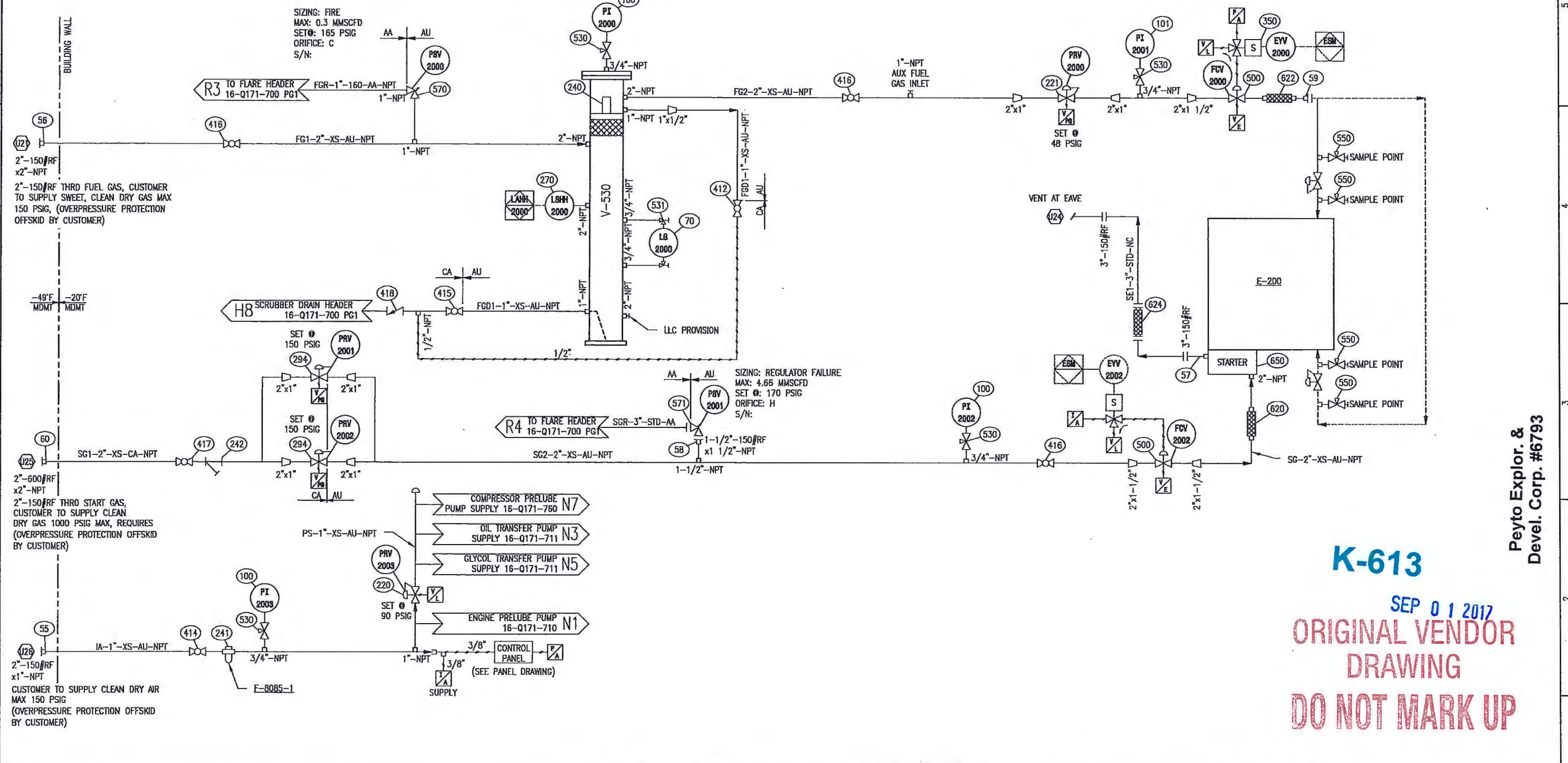
BIDEAL™ APEGA PERMIT NUMBER P08318
 GAS COMPRESSION

SKID TANK & TRANSFER PUMP UTILITY FLOW DIAGRAM
 WAUKESHA L5794LT/ARIEL JGK/4-2/AIR-X LIMITED 144EF-102-24
 CUSTOMER: PEYTO EXPLORATION c/o ONSTREAM ENGINEERING
 LOCATION: BRAZEAU RIVER SHEET#: 1 OF 1
 LSD: 11-12-44-13 WSM JOB#: 16-Q171

PAPER SIZE 11"x17" SCALE NTS DWG# 16-Q171-711 REV B

V-530
 FUEL GAS SCRUBBER
 DIMENSIONS: 8.625" OD x 86" S/S
 MAWP: 230 PSIG @ 300°F
 MDMT: -20°F @ 230 PSIG
 C.A.: 0.0625"
 S/N: 16-Q171-530
 CRN:

E-200
 MFG: WAUKESHA
 MODEL: L5794LT
 WAUKESHA ESM ENGINE CONTROLLER



56
 (12) 2"-150#RF x2"-NPT
 2"-150#RF THRD FUEL GAS, CUSTOMER TO SUPPLY SWEET, CLEAN DRY GAS MAX 150 PSIG, (OVERPRESSURE PROTECTION OFFSKID BY CUSTOMER)

-49°F MDMT
 -20°F MDMT

60
 (12) 2"-600#RF x2"-NPT
 2"-150#RF THRD START GAS, CUSTOMER TO SUPPLY CLEAN DRY GAS 1000 PSIG MAX, REQUIRES (OVERPRESSURE PROTECTION OFFSKID BY CUSTOMER)

55
 (12) 2"-150#RF x1"-NPT
 CUSTOMER TO SUPPLY CLEAN DRY AIR MAX 150 PSIG (OVERPRESSURE PROTECTION OFFSKID BY CUSTOMER)

SIZING: FIRE
 MAX: 0.3 MMSCFD
 SET @: 165 PSIG
 ORIFICE: C
 S/N:

SIZING: REGULATOR FAILURE
 MAX: 4.66 MMSCFD
 SET @: 170 PSIG
 ORIFICE: H
 S/N:

K-613

SEP 01 2017
 ORIGINAL VENDOR
 DRAWING
 DO NOT MARK UP

Payto Explor. &
 Devel. Corp. #6793

NOTES:
 1. FOR PNEUMATIC TERMINATIONS, HEADERS, AND OTHER COMMON DETAILS, REFER TO DRAWING 16-Q171-000.

UNIT NUMBER	
16-980	<input type="checkbox"/>
16-981	<input type="checkbox"/>
16-982	<input type="checkbox"/>
16-983	<input type="checkbox"/>
16-984	<input type="checkbox"/>
16-985	<input type="checkbox"/>
16-986	<input type="checkbox"/>
16-987	<input type="checkbox"/>

THIS DRAWING IS SOLE PROPERTY OF BIDELL EQUIPMENT AND SHALL NOT BE REPRODUCED, COPIED, LENT, ALTERED NOR USED FOR ANY PURPOSE OTHER THAN WHICH IT IS FURNISHED EXCEPT WITH THE WRITTEN PERMISSION OF BIDELL EQUIPMENT

ISSUED FOR CONSTRUCTION

IFC

2016/11/24

REV	DATE	CREATED	REMOVED	APPROVED	DESCRIPTION
B	16-11-24	SS	GTM	DT	ISSUED FOR CONSTRUCTION
A	16-10-25	SS	GTM	DT	RE-ISSUED FOR APPROVAL
0	16-10-07	SS	GTM	DT	ISSUED FOR APPROVAL

MAIN SHOP / OFFICE 6900 - 112th AVENUE S.E. CALGARY, AB T2C 4Z1 PHONE: (403) 235-5877 FAX: (403) 272-7749	BIDELL GAS COMPRESSION	APEGA PERMIT NUMBER P08318
FUEL/START GAS & INSTRUMENT SUPPLY FLOWSHEET WAUKESHA L5794LT/ARIEL JGK/4-2/AIR-X LIMITED 144EF-102-24		
CUSTOMER: PEYTO EXPLORATION c/o ONSTREAM ENGINEERING		SHEET#: 1 OF 2
LOCATION: BRAZEAU RIVER	JOB#: 16-Q171	
LSD: 11-12-44-13 W5M		
PAPER SIZE 11"x17"	SCALE NTS	DWG# 16-Q171-720
		REV B

ASSEMBLY BILL OF MATERIALS				
MARK/TAG	QTY	PART NUMBER	DESCRIPTION	NOTE
550	4	NVSA-026F	VALVE, NEEDLE, 1/4" F x 1/4" F, NPT, 6000#, SWT MFG: WESTERN GAUGE MODEL: WN1612PN	
570	1	PSV-1218	VALVE, RELIEF, 1"-MNPT X 1"-FNPT, C, CONV, THREADED BONNET, BODY: WCB, TRIM: 440C SS, SEAT: VITON, SPRING: 17-7PH SS (RANGE: 126-230PSIG), SWEET MFG: MERCER MODEL: 91-17C51V08C2	
571	1	PSV-1366	VALVE, RELIEF, 1"-150#RF X 3"-150#RF, H, CONV, BOLTED BONNET, BODY: WCB, TRIM: 316 SS, SEAT: VITON, SPRING: 17-7PH SS, SWEET MFG: MERCER MODEL: 91-55H11V80U1	
620	1	HOS-7020	HOSE, FLEX, 2"-MNPT, BE, HEX/BE, CS, 12" OAL, 321SS HOSE, 304LSS SB, 516 PSI MAWP @ -20 TO 300 F. MFG: A.R. THOMSON MODEL: FMH2X12	
622	1	HOS-7018	HOSE, FLEX, 1-1/2"-MNPT, BE, HEX/BE, CS, 8" OAL, 321SS HOSE, 304LSS SB, 472 PSI MAWP @ -20 TO 300 F.	
624	1	HOS-7129	HOSE, FLEX, 3"-150# RF, BE, SA105N, 12" OAL, 321SS HOSE, 304LSS SB, 230 PSI MAWP @ -20 TO 300 F.	
650	1	ENG-314	STARTER, INERTIA DRIVE, 1-1/2" NPT X 3", 70-150 PSIG MFG: TDI MODEL: T112-60001-B1R	

ASSEMBLY BILL OF MATERIALS				
MARK/TAG	QTY	PART NUMBER	DESCRIPTION	NOTE
55	1	BWF-H0DL	FLANGE, HUB, 2"-150# x 1"-NPT, SA350LF2	
56	1	BWF-D0DL	FLANGE, SCREWED, 2"-150#RF, SA350LF2	
57	1	ENG-1000	ADAPTER, STARTER, ELBOW, 90°, TDI T100 BOLT PATTERN X 3"-150#RF, MAWP: 160PSIG @ 100°F MFG: TDI TURBOSTART MODEL: T100-28567	
58	1	BWF-1192	FLANGE HUB, 1-1/2"-150# x 1-1/2"-NPT, SA105N	
59	1	BWF-1196	FLANGE, HUB, 3"-150#RF X 1-1/2"-NPT, SA-105N	
60	1	FLG.T.JFR.FL	FLANGE, THREADED, 2"-600#RF, SA-350-LF2 GR1	
70	1	LLG-109	GAUGE, LEVEL, REFLEX, 1/2"-NPT, MAWP: 1800PSIG @ 100°F, SWEET MFG: PENBERTHY MODEL: 1RL9	
100	3	PI-25-0200	IND, PRESS, 0-200PSI, 2-1/2"DIAL, 1/4"NPT, BTM, SS MFG: WESTERN GAUGE MODEL: WJ7854P	
101	1	PI-25-0100	IND, PRESS, 0-100PSI, 2-1/2"DIAL, 1/4"NPT, BTM, SS MFG: WESTERN GAUGE MODEL: WJ7848P	
220	1	PRV-499	REGULATOR, 1"-NPT, 70-150 RANGE MODEL: 627-1217-29863	
221	1	PRV-498	REGULATOR, 1"-NPT, 35-80 RANGE, 1/2" ORIFICE, TRIM: ALUM, DISK: NITRILE MODEL: 627-1217-29860	
240	(1)	FLT-140	FILTER, GAS, APEX ULTISEP COALESCING ELEMENT, 0.3 MICRON MFG: ESG MODEL: GCA3830K03V	C/W VESSEL
241	1	FLT-704	FILTER, COALESCING, 1" NPT, AL BODY, 70C ELEMENT MODEL: BEP-38-152-70C	
242	1	YSS-420	STRAINER, Y, 2"-CL600#, 100 MESH, SOUR	
270	1	LLS-1012	SWITCH, LEVEL, ELECTRIC, 2"-NPT, 2000PSI, NACE, XP MFG: MURPHY MODEL: MLS-020	
294	2	PRV-1019	REGULATOR, 1"-NPT, 70-150 PSIG OUTPUT RANGE, MAX INLET 1250PSIG, 3/8" ORIFICE, NYLON SEAT, CS BODY MFG: FISHER MODEL: 627-1217-29962	
350	1	SOL-002	VALVE, SOL, 3/2, 1/4" FNPT, 115PSID MAX, 3/32" ORF, NC, 24VDC, SST MFG: ASCO MODEL: EFB320G202-24	
412	1	BV-1193	VALVE, BALL, 1/2"-FNPT, CL1500, BODY: A105N, SEAT: DELRIN, TRIM: 316 SS, FP, FLOATING, 3 PIECE THREADED, LOCKABLE LEVER, NACE MFG: JAG MODEL: T3-F05115N	
414	1	BVSF-102CS	VALVE, BALL, 1"-FNPT, 2000#, FP, 2PC, SWT MFG: FUSION MODEL: 4281F010F20N1AN	
415	1	BVS-0025	VALVE, BALL, 1"-NPT, CL1500, FP, 3PCS, FL, NACE MFG: JAG MODEL: T3-F10T15N	
416	3	BVSF-202CS	VALVE, BALL, 2"-FNPT, 2000#, FP, 2PC, SWT MFG: FUSION MODEL: 4281F020F20N1AN	
417	1	BV-1324	VALVE, BALL, 2"-FNPT, CL2500, BODY: A105, SEAT: PEEK, TRIM: 17-4PH SS, FP, FLOATING, 3 PIECE THREADED, LOCKABLE LEVER, NACE 0175 MFG: JAG MODEL: T3-F20T25N	
418	1	SCS-0014	VALVE, CHK, SWING, 1", FNPT, CL800, SWT MFG: NEWCO MODEL: 1.00-38T-FS2	
500	2	FSV-110	VALVE, FUEL, RELAY, QUICK OPEN, 1-1/2"-FNPT, 450PSIG MAWP, 1/4"-NPT VENT, Cv=40, BODY: NIPALATED AL, VITON O-RINGS, SWEET MFG: TDI TURBOSTART MODEL: RLVA-25683-001-2-21	
530	4	NVSA-076M	VALVE, NEEDLE, 3/4" M x 1/2" F, NPT, 6000#, SWT MFG: WESTERN GAUGE MODEL: WN1637P	
531	1	LLG-190	GAUGE, LEVEL, COCKS, 3/4"-MNPT X 1/2"-FNPT, OFFSET/FLATGLASS, MAWP: 4000PSIG @ 100°F, SWEET MFG: PENBERTHY MODEL: 330J	

K-613
ORIGINAL VENDOR
DRAWING SEP 01 2017
DO NOT MARK UP

Peyto Explor. & Dev. Corp. #6793

NOTES:
 1. FOR PNEUMATIC TERMINATIONS, HEADERS, AND OTHER COMMON DETAILS, REFER TO DRAWING 16-Q171-000.

UNIT NUMBER	
16-980	<input type="checkbox"/>
16-981	<input type="checkbox"/>
16-982	<input type="checkbox"/>
16-983	<input type="checkbox"/>
16-984	<input type="checkbox"/>
16-985	<input type="checkbox"/>
16-986	<input type="checkbox"/>
16-987	<input type="checkbox"/>


THIS DRAWING IS SOLE PROPERTY OF BIDEAL EQUIPMENT AND SHALL NOT BE REPRODUCED, COPIED, LENT, ALTERED NOR USED FOR ANY PURPOSE OTHER THAN WHICH IT IS FURNISHED EXCEPT WITH THE WRITTEN PERMISSION OF BIDEAL EQUIPMENT

ISSUED FOR CONSTRUCTION

IFC

2016/11/24

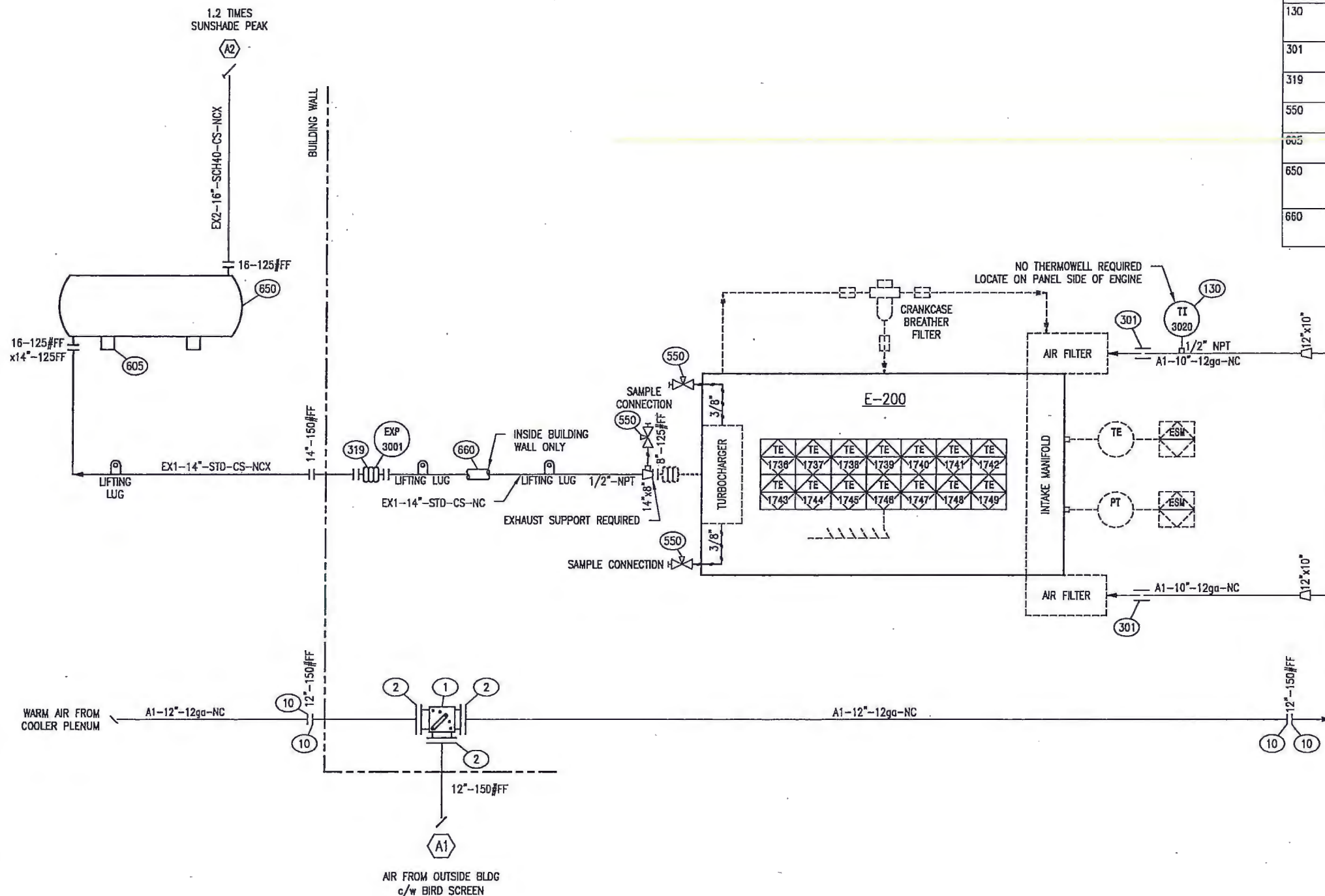
REV	DATE	CREATED	REMOVED	APPROVED	DESCRIPTION
B	16-11-24	SS	GTM	DT	ISSUED FOR CONSTRUCTION
A	16-10-25	SS	GTM	DT	RE-ISSUED FOR APPROVAL
O	16-10-07	SS	GTM	DT	ISSUED FOR APPROVAL

MAIN SHOP / OFFICE 6900 - 112th AVENUE S.E. CALGARY, AB T2C 4Z1 PHONE: (403) 235-5877 FAX: (403) 272-7749		APEGA PERMIT NUMBER P08318
FUEL/START GAS & INSTRUMENT SUPPLY FLOWSHEET WAUKESHA L5794LT/ARIEL JGK/4-2/AIR-X LIMITED 144EF-102-24		
CUSTOMER: PEYTO EXPLORATION c/o ONSTREAM ENGINEERING		
LOCATION: BRAZEAU RIVER		SHEET#: 2 OF 2
LSD: 11-12-44-13 WSM		JOB#: 16-Q171
PAPER SIZE 11"x17"	SCALE NTS	DWG# 16-Q171-720
		REV B

E-200
MFG: WAUKESHA
MODEL: L5794LT
WAUKESHA ESM ENGINE CONTROLLER

ASSEMBLY BILL OF MATERIALS

MARK/TAG	QTY	PART NUMBER	DESCRIPTION	NOTE
1	1	AIR-BOX12L	AIR BOX, MIXING, 12", LEFT HAND SWING MODEL: AIR-BOX12-LHS	
2	(3)	BWF-KOM	FLANGE, PLATE (TUBE), 12"-125#, 3/8" THK, A36/44W	C/W AIRBOX
10	4	FLG.PP.TBF.MS3/8	FLANGE, PLATE (PIPE), 12"-150#FF, A36/44W, 3/8" THK (NON-CODE)	
130	1	TI-36-160	IND, TEMP, -40-160°F, 3"DIAL, 1/2"-NPT, 1/4" X 6", CBM, SS MFG: WESTERN GAUGE MODEL: WL31302	
301	2	HOS-8000	CONNECTOR, HOSE, NEOPRENE, 1/8" THK, 8" X 48" STRIPS	
319	1	EXP-142	EXPANSION JOINT, 14", FF, CL125, 12"LG, CS FLANGES	
550	3	MVSA-026F	VALVE, NEEDLE, 1/4" X 1/4" NPT, 6000#, SWT MFG: WESTERN GAUGE MODEL: WN1612PN	
605	1	EXH-BSL-TS	THERMAL EXPANSION ASSEMBLY, COOLER MOUNT SILENCER DWG: BES-400-1	
650	1	EXH-1180	SILENCER, 16"-150#FF IN X 16"-150#FF OUT, SIEO, HOSPITAL PLUS, 35-50dBA, CYLINDER, CS MFG: MAXIM MODEL: M62-16C2	
660	1	NPN	EXHAUST INSULATION, 2" SS LINER, ALUMINIUM OUTER, C/W 2" AIR GAP	



K-613

SEP 01 2017
ORIGINAL VENDOR
DRAWING
DO NOT MARK UP

NOTES:
1. FOR PNEUMATIC TERMINATIONS, HEADERS, AND OTHER COMMON DETAILS, REFER TO
DRAWING 16-Q171-000.

UNIT NUMBER	
16-980	<input type="checkbox"/>
16-981	<input type="checkbox"/>
16-982	<input type="checkbox"/>
16-983	<input type="checkbox"/>
16-984	<input type="checkbox"/>
16-985	<input type="checkbox"/>
16-986	<input type="checkbox"/>
16-987	<input type="checkbox"/>

THIS DRAWING IS
SOLE PROPERTY OF
BIDELL EQUIPMENT
AND SHALL NOT BE
REPRODUCED, COPIED,
LENT, ALTERED NOR
USED FOR ANY
PURPOSE OTHER
THAN WHICH IT IS
FURNISHED EXCEPT
WITH THE WRITTEN
PERMISSION OF
BIDELL EQUIPMENT

ISSUED FOR CONSTRUCTION

IFC

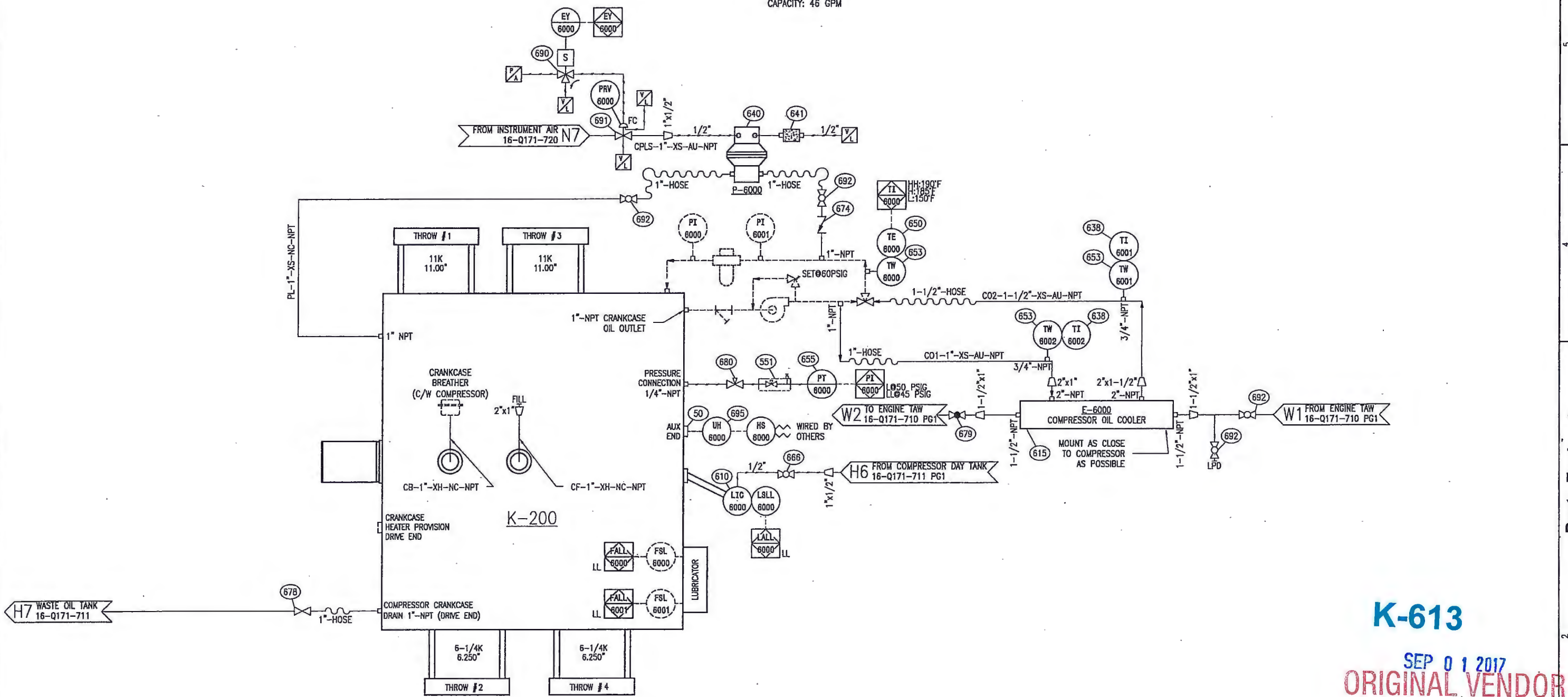
2016/11/24

REV	DATE	CREATED	REMOVED	APPROVED	DESCRIPTION
B	16-11-08	SS	GTM	DT	ISSUED FOR CONSTRUCTION
A	16-10-25	SS	GTM	DT	RE-ISSUED FOR APPROVAL
O	16-10-18	SS	GTM	DT	ISSUED FOR APPROVAL

MAIN SHOP / OFFICE 6900 - 112th AVENUE S.E. CALGARY, AB T2C 4Z1 PHONE: (403) 235-5877 FAX: (403) 272-7749		BIDELL APEGA PERMIT NUMBER P08318	
ENGINE AIR & EXHAUST FLOWSHEET			
WAUKESHA L5794LT/ARIEL JGK/4-2/AIR-X LIMITED 144EF-102-24			
CUSTOMER: PEYTO EXPLORATION c/o ONSTREAM ENGINEERING			
LOCATION: BRAZEAU RIVER			
LSD: 11-12-44-13 WSM		JOB#: 16-Q171	
PAPER SIZE 11"x17"	SCALE NTS	DWG# 16-Q171-730	REV B

Peyto Explor. &
Devel. Corp. #6793

P-6000
 COMPRESSOR PRELUBE PUMP
 MFG: YAMADA
 MODEL: NDP-25
 CAPACITY: 46 GPM



K-613

SEP 01 2017
 ORIGINAL VENDOR
 DRAWING
 DO NOT MARK UP

NOTES:
 1. FOR PNEUMATIC TERMINATIONS, HEADERS, AND OTHER COMMON DETAILS, REFER TO DRAWING 16-Q171-000.

UNIT NUMBER	ISSUED FOR CONSTRUCTION
16-980	<input type="checkbox"/>
16-981	<input type="checkbox"/>
16-982	<input type="checkbox"/>
16-983	<input type="checkbox"/>
16-984	<input type="checkbox"/>
16-985	<input type="checkbox"/>
16-986	<input type="checkbox"/>
16-987	<input type="checkbox"/>

THIS DRAWING IS SOLE PROPERTY OF BIDELL EQUIPMENT AND SHALL NOT BE REPRODUCED, COPIED, LENT, ALTERED NOR USED FOR ANY PURPOSE OTHER THAN WHICH IT IS FURNISHED EXCEPT WITH THE WRITTEN PERMISSION OF BIDELL EQUIPMENT

IFC

2016/11/23

REV	DATE	CREATED	REMOVED	APPROVED	DESCRIPTION
B	16-11-21	SS	GTM	DT	ISSUED FOR CONSTRUCTION
A	16-10-25	SS	GTM	DT	RE-ISSUED FOR APPROVAL
D	16-10-18	SS	GTM	DT	ISSUED FOR APPROVAL

MAN SHOP / OFFICE
 6900 - 112th AVENUE S.E.
 CALGARY, AB T2C 4Z1
 PHONE: (403) 235-5877
 FAX: (403) 272-7749

BIDELL APEGA PERMIT NUMBER P08318
 GAS COMPRESSION

COMPRESSOR FRAME OIL UTILITY FLOW
 WAUKESHA L5794LT/ARIEL JCK/4-2/AIR-X LIMITED 144EF-102-24
 CUSTOMER: PEYTO EXPLORATION c/o ONSTREAM ENGINEERING
 LOCATION: BRAZEAU RIVER
 LSD: 11-12-44-13 W5M

PAPER SIZE 11"x17" SCALE NTS DWG# 16-Q171-760 REV B

Peyto Explor. & Devel. Corp. #6793

ASSEMBLY BILL OF MATERIALS				
MARK/TAG	QTY	PART NUMBER	DESCRIPTION	NOTE
50	1	FLG-1000	FLANGE, ARIEL IMMERSION HEATER, 1"THK, 4" X 3-1/2" A316/44W DWG: ARIEL IMM HEATER FLANGE	
551	(1)	PNL0001	PANEL MOUNTED BALL VALVE AND TEST TEE, 1/4", 316SS MFG: SWAGELOK MODEL: SS-43GS4	C/W PANEL
610	1	LLC-550	CONTROLLER, OIL LEVEL, XP, ARIEL E:H:K:R:T:W MOUNT MFG: KENCO MODEL: KLCE-24	
615	1	COM-205	HEAT EXCHANGER, SHELL & TUBE, ONE PASS, SHELL: 2"-NPT, 80 GPM, 500 PSI MAWP, TUBE: 1-1/2"-NPT, 56 GPM, 150 PSI MAWP MFG: THERMAL TRANSFER MODEL: EK-1024-0	
638	2	TI-32-300	IND, TEMP, 50-300°F, 3"DIAL, 1/2"-NPT, 1/4" X 2-1/2", CBM, SS MFG: WESTERN GAUGE MODEL: WL31106	
640	1	PMP-1084	PUMP, DIAPHRAGM, SINGLE, 1"-FNPT X 1"-FNPT, 46.2GPM, AIR SUPPLY MFG: YAMADA MODEL: NDP-25BAN-CSA	
641	(1)	YAM-682515	MUFFLER FOR YAMADA MODEL# NDP20BAN-1S, 1" DIAPHRAGM PUMP MFG: YAMADA MODEL: 682515	C/W PUMP
650	1	TCP-K403	THERMOCOUPLE, "K", 1/2"NPT, 1/4"ODX4" 316SS MFG: WESTERN GAUGE MODEL: 1K1BKU4ZZ3120FTA	
653	3	TOW-275N	THERMOWELL, STRT, 3/4"MNPTx1/2"FNPT, 1.375"U, 0.26" ID, 2.75"OAL MFG: WESTERN GAUGE MODEL: 3/4-025-316	
655	(1)	PT-6015	XMTR, PRESS, 0-150PSI, 1/2"FNPT, 4-20MA, NACE, XP MFG: ROSEMOUNT MODEL: 2088G2S22A1B4C6	C/W PANEL
666	1	BVSF-052CS	VALVE, BALL, 1/2"-FNPT, 2000#, FP, 2PC, SWT MFG: FUSION MODEL: 428TF005F20N1AN	
674	1	SCS-0014	VALVE, CHK, SWING, 1", FNPT, CL800, SWT MFG: NEWCO MODEL: 1.00-3BT-FS2	
678	1	GTS-0014	VALVE, GATE, 1"-FNPT, CL800, SWEET MFG: NEWCO MODEL: 18T-FS2-RP-1"	
679	1	GBS-102-NE	VALVE, GLOBE, 1", FNPT, CL800, SWT MFG: NEWCO MODEL: 28T-FS2	
680	1	NVSA-026F	VALVE, NEEDLE, 1/4" X 1/4" F, NPT, 6000#, SWT MFG: WESTERN GAUGE MODEL: WN1612PN	
690	(1)	SOL-002	VALVE, SOL, 3/2, 1/4"FNPT, 115PSID MAX, 3/32"ORF, NC, 24VDC, SST MFG: ASCO MODEL: EF8320G202-24	C/W PANEL
691	1	XXX-205	VALVE, CONTL, 1"FNPT, 5-35PSI, 150MAWP, SWT MODEL: 119-886-9423	
692	4	BVSF-102CS	VALVE, BALL, 1"-FNPT, 2000#, FP, 2PC, SWT MFG: FUSION MODEL: 428TF010F20N1AN	
695	1	HEE-1000	HEATER, IMMERSION, 2"NPT, 14"LG, 480V/3PH/60HZ, 1450W, XP MFG: CALORITECH MODEL: CXFT314P214X-0XX	

Peyto Explor. &
Devel. Corp. #6793

K-613
SEP 01 2017
**ORIGINAL VENDOR
DRAWING**
DO NOT MARK UP

NOTES:
1. FOR PNEUMATIC TERMINATIONS, HEADERS, AND OTHER COMMON DETAILS, REFER TO
DRAWING 16-Q171-000.

- UNIT NUMBER**
- 16-980
 - 16-981
 - 16-982
 - 16-983
 - 16-984
 - 16-985
 - 16-986
 - 16-987

THIS DRAWING IS
SOLE PROPERTY OF
BIDELL EQUIPMENT
AND SHALL NOT BE
REPRODUCED, COPIED,
LENT, ALTERED NOR
USED FOR ANY
PURPOSE OTHER
THAN WHICH IT IS
FURNISHED EXCEPT
WITH THE WRITTEN
PERMISSION OF
BIDELL EQUIPMENT

ISSUED FOR CONSTRUCTION

IFC

2016/11/21

REV	DATE	CREATED	REVIEWED	APPROVED	DESCRIPTION
B	16-11-21	SS	GTM	DT	ISSUED FOR CONSTRUCTION
A	16-10-25	SS	GTM	DT	RE-ISSUED FOR APPROVAL
O	16-10-18	SS	GTM	DT	ISSUED FOR APPROVAL

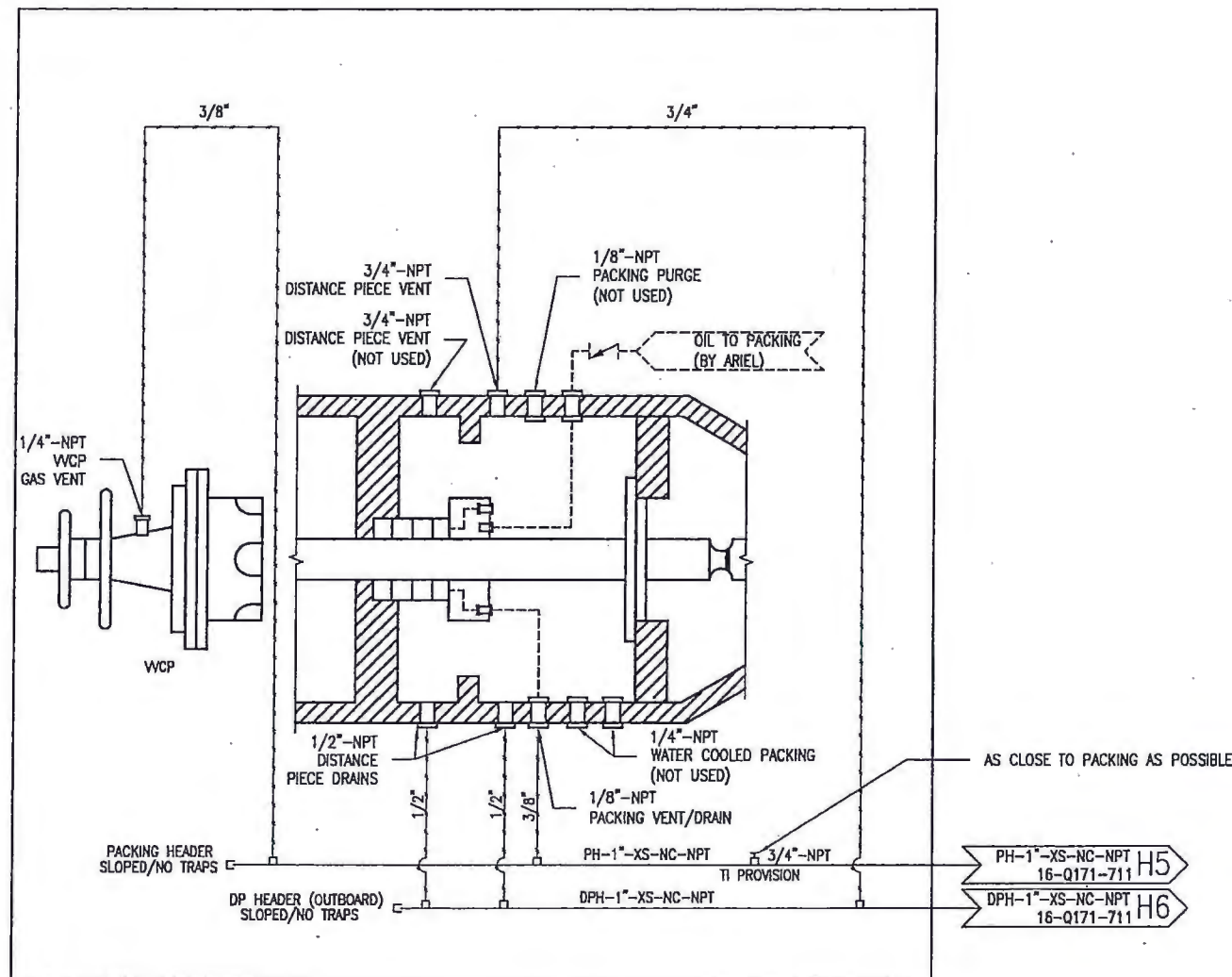
MAIN SHOP / OFFICE
6900 - 112th AVENUE S.E.
CALGARY, AB T2C 4Z1
PHONE: (403) 235-5877
FAX: (403) 272-7749

BIDELL™ APEGA PERMIT NUMBER
P08318
GAS COMPRESSION

COMPRESSOR FRAME OIL UTILITY FLOW
WAUKESHA L5794LT/ARIEL JGK/4-2/NR-X LIMITED 144EF-102-24

CUSTOMER: PEYTO EXPLORATION c/o ONSTREAM ENGINEERING
LOCATION: BRAZEAU RIVER SHEET#: 2 OF 2
LSD: 11-12-44-13 W5M JOB#: 16-Q171

PAPER SIZE 11"x17" SCALE NTS DWG# 16-Q171-760 REV B



DISTANCE PIECE / PACKING VENT & DRAIN
STANDARD COMPARTMENT, K:T CLASS
(TYP EACH CYLINDER)

K-613
SEP 01 2017
ORIGINAL VENDOR
DRAWING
DO NOT MARK UP

NOTES:
1. FOR PNEUMATIC TERMINATIONS, HEADERS, AND OTHER COMMON DETAILS, REFER TO DRAWING 16-Q171-000.

UNIT NUMBER	
16-980	<input type="checkbox"/>
16-981	<input type="checkbox"/>
16-982	<input type="checkbox"/>
16-983	<input type="checkbox"/>
16-984	<input type="checkbox"/>
16-985	<input type="checkbox"/>
16-986	<input type="checkbox"/>
16-987	<input type="checkbox"/>

THIS DRAWING IS SOLE PROPERTY OF BIDELL EQUIPMENT AND SHALL NOT BE REPRODUCED, COPIED, LENT, ALTERED NOR USED FOR ANY PURPOSE OTHER THAN WHICH IT IS FURNISHED EXCEPT WITH THE WRITTEN PERMISSION OF BIDELL EQUIPMENT

ISSUED FOR CONSTRUCTION
IFC
2016/11/23

REV	DATE	CREATED	REVIEWED	APPROVED	DESCRIPTION
B	16-11-08	SS	GTM	DT	ISSUED FOR CONSTRUCTION
A	16-10-25	SS	GTM	DT	RE-ISSUED FOR APPROVAL
D	16-10-18	SS	GTM	DT	ISSUED FOR APPROVAL

MAN SHOP / OFFICE
8900 - 112th AVENUE S.E.
CALGARY, AB T2C 4Z1
PHONE: (403) 235-5877
FAX: (403) 272-7749

BIDELL™ APEGA PERMIT NUMBER P08318
GAS COMPRESSION

COMPRESSOR DISTANCE PIECE PACKING VENT & DRAIN UTILITY FLOW
WAUKESHA L5794LT/ARIEL JGK/4-2/AIR-X LIMITED 144EF-102-24

CUSTOMER: PEYTO EXPLORATION c/o ONSTREAM ENGINEERING
LOCATION: BRAZEAU RIVER
LSD: 11-12-44-13 W5M

SHEET#: 1 OF 1
JOB#: 16-Q171

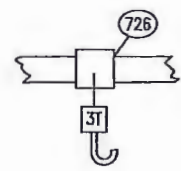
PAPER SIZE 11"x17" SCALE NTS DWG# 16-Q171-761 REV B

Peyto Explor. & Devel. Corp. #6793

BUILDING DETAILS	
DESIGN LOAD BASIS: 1/50 SNOW LOAD: 1/50 WIND LOAD: BUILDING CODE: BUILDING TYPE: LENGTH: WIDTH: EAVE HEIGHT: ROOF SLOPE: WALL INSULATION: ROOF INSULATION: WINDOWS:	LSD: 06-12-044-13 WSM 2.1 kPa 0.46 kPa AB SELF-FRAMING GABLE 31'-0" 22'-6" TBD 3:12 R12 PROROX SL930 R12 PROROX SL930 2 x 40"x40" HORIZONTAL SLIDING c/w SCREEN (SINGLE GLAZED)
BUILDING LINER: VAPOUR BARRIER: ROOF OPTIONS: FASTENERS: EXTERIOR COLOR: DOORS & TRIM:	24 ga FLUTED WHITE ALUMINIUM BELOW 36" 20 ga WHITE PAINTED PERFORATED (33%) ALUMINIUM ABOVE 36" 6MIL POLYETHYLENE EAVESTROUGHS, DOWNSPOUTS & ICE RAKES CLUMASEAL WITH BONDED NEOPRENE WASHERS TBD TBD
DOOR DETAILS ONE 3'x7' SINGLE DOOR c/w WEATHER STRIPPING LOCKING PANIC HARDWARE 24"x24" WIRE GLASS WINDOWS BARREL BOLTS ON INACTIVE LEAF ALUMINUM THRESHOLDS CHECK CHAIN DOOR SOUND PACKS, CANOPY ROLL UP DOOR 10'x10' c/w WEATHER STRIPPING MANUAL CHAIN HOIST DOOR CANOPIES	ONE 6'x7' DOUBLE DOOR c/w WEATHER STRIPPING LOCKING PANIC HARDWARE 24"x24" WIRE GLASS WINDOWS BARREL BOLTS ON INACTIVE LEAF ALUMINUM THRESHOLDS CHECK CHAIN DOOR SOUND PACKS, CANOPY ONE 3'x7' R4 INSULATED JACK SHAFT DOOR LOCKING KNOB 24"x24" WIRE GLASS WINDOWS ALUMINUM THRESHOLDS CHECK CHAIN WEATHER STRIPPING
VENTILATION DETAILS RIDGE VENT: WALL LOUVRES: BUILDING FAN DETAILS: ADDITIONAL NOTES:	FULL LENGTH, 6" THROAT, ACOUSTIC RIDGE VENT c/w MANUAL CONTROLS, BIRDSCREEN & SAFETY TIE OFFS 6 x 18"x32" ADJUSTABLE c/w MANUAL CONTROL, SCREEN & ACOUSTIC HOODS REFER TO DRAWING EQUIPMENT TAGS

BH-7000A/7000B/7000C

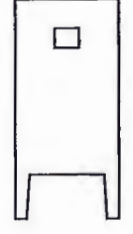
BUILDING HEATER
MAKE: RUFFNECK
MODEL: HP5-24-A1C1-2B
MAWP: 300 PSIG @ 572°F
DIAMETER: 24"
MOTOR: 1/2HP
208V/1PH/60HZ



PLC-800

MFG: SPARTAN
MODEL: REMVUE 500S
POWER SUPPLY: 24VDC
POWER CONSUMPTION: TBD AMPS
AREA CLASSIFICATION:
CSA, CLASS I, DIV 2, GROUPS C & D
S/N:

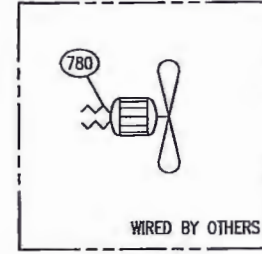
PLC-800



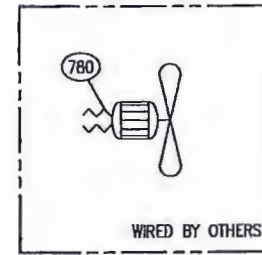
EF-7000A/7000B

MFG: SOPER'S AIR
MODEL: KL16XP1PH
DIAMETER: 16"
0.25HP, 120VAC/1PH/60HZ
AREA CLASSIFICATION: CLASS I, DIVISION II, GROUP C & D,
EXPLOSION PROOF
ACOUSTIC HOOD

EF-7000A

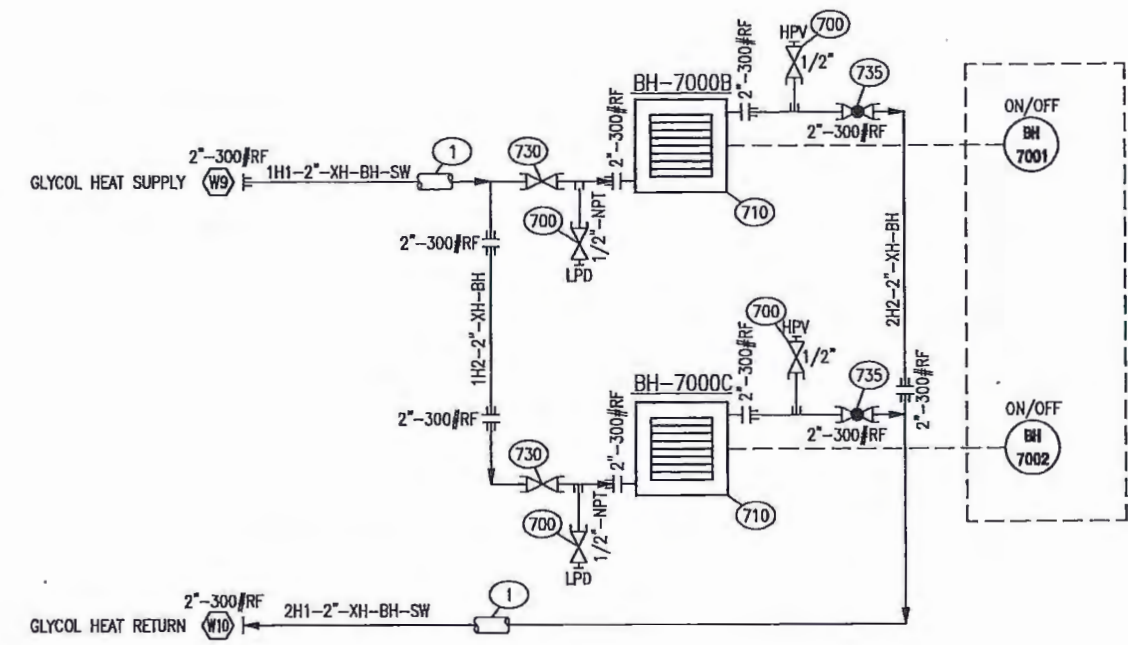


EF-7000B



ASSEMBLY BILL OF MATERIALS

MARK/TAG	QTY	PART NUMBER	DESCRIPTION	NOTE
1	1	TBD	JACKETED INSULATION	
700	4	GTSW-0017	VALVE, GATE, 1/2"-SW X FNPT, CL800, SWEET MFG: NEWCO MODEL: 18X-FS2-RP	
701	1	BDC-000	BUILDING, STEEL, CONTRACTING	
710	2	HEE-1076	HEATER, GLYCOL/OIL, 5 PASS, 2"-300# RF, 208/1/60, XP MFG: RUFFNECK MODEL: HP5-24-A1C1-2B	
726	1	NPN	CRANE, 3 TON, SEE DWG# 16-Q171-425	
730	2	GTSW-0018	VALVE, GATE, 2", SW, CL800, SWT MFG: NEWCO MODEL: 18S-FS2	
735	2	GBW-1005	VALVE, GLOBE, 2" CL800, SW, RP, SWEET MFG: NEWCO MODEL: 28SFSZ-20	
780	(2)	NPN	16" DIA. EXHAUST FAN, 0.25 HP, 120-208VAC/1PH/60HZ EXPLOSION PROOF	C/W BUILDING & ACOUSTIC HOODS



K-613
SEP 01 2017
ORIGINAL VENDOR
DRAWING
DO NOT MARK UP

NOTES:
1. FOR PNEUMATIC TERMINATIONS, HEADERS, AND OTHER COMMON DETAILS, REFER TO DRAWING 16-Q171-000.

UNIT NUMBER	
16-980	<input type="checkbox"/>
16-981	<input type="checkbox"/>
16-982	<input type="checkbox"/>
16-983	<input type="checkbox"/>
16-984	<input type="checkbox"/>
16-985	<input type="checkbox"/>
16-986	<input type="checkbox"/>
16-987	<input type="checkbox"/>

THIS DRAWING IS SOLE PROPERTY OF BIDELL EQUIPMENT AND SHALL NOT BE REPRODUCED, COPIED, LENT, ALTERED NOR USED FOR ANY PURPOSE OTHER THAN WHICH IT IS FURNISHED EXCEPT WITH THE WRITTEN PERMISSION OF BIDELL EQUIPMENT

ISSUED FOR CONSTRUCTION
IFC
2016/11/21

REV	DATE	CREATED	REMOVED	APPROVED	DESCRIPTION
B	16-11-21	SS	GTM	DT	ISSUED FOR CONSTRUCTION
A	16-10-25	SS	GTM	DT	RE-ISSUED FOR APPROVAL
O	16-10-18	SS	GTM	DT	ISSUED FOR APPROVAL

MAIN SHOP / OFFICE
6900 - 112th AVENUE S.E.
CALGARY, AB T2C 4Z1
PHONE: (403) 235-5877
FAX: (403) 272-7749

BIDELL™ APEGA PERMIT NUMBER P08318
GAS COMPRESSION

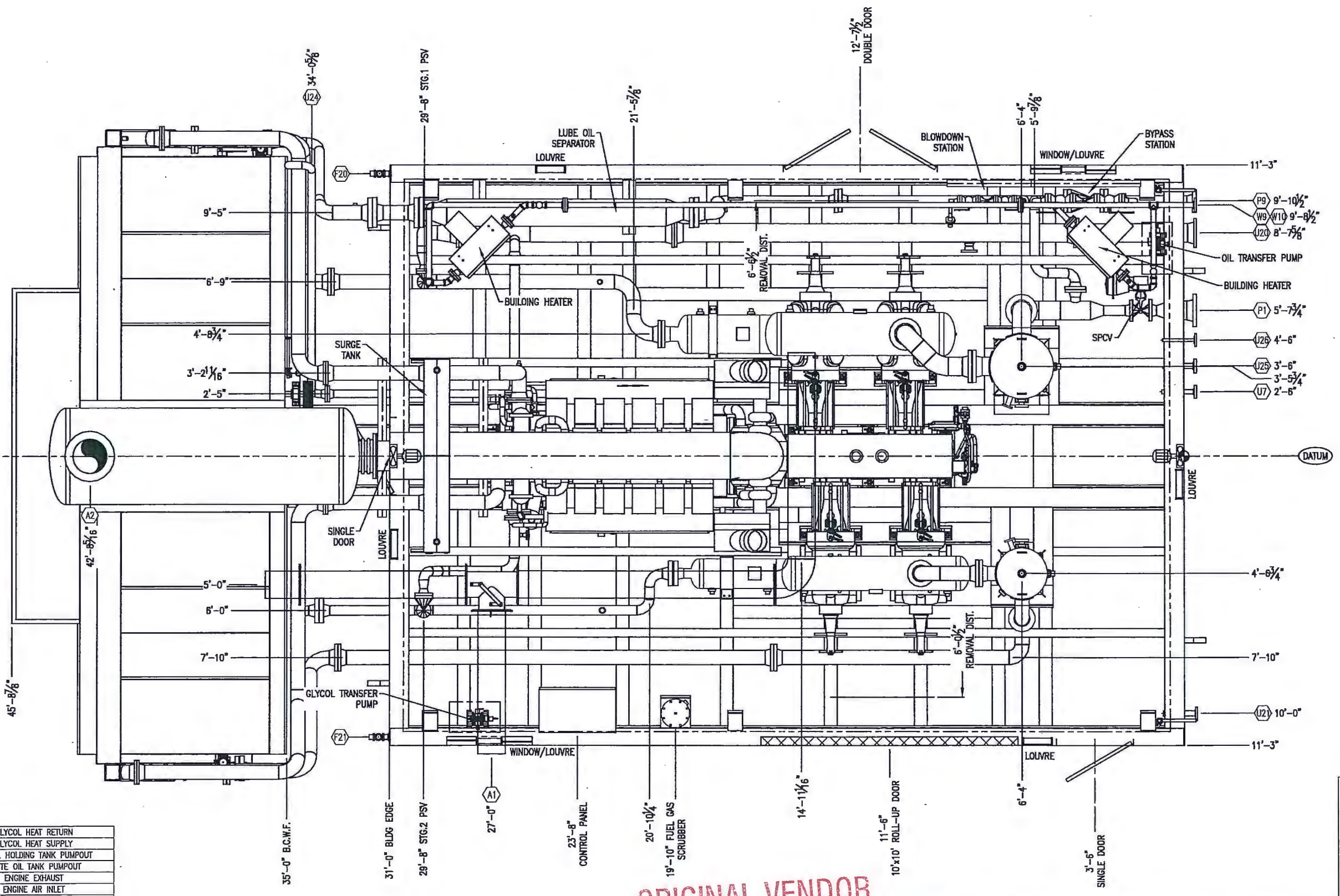
BUILDING DETAILS
WAUKESHA L5794LT/ARIEL JGK/4-2/AIR-X LIMITED 144EF-102-24
CUSTOMER: PEYTO EXPLORATION c/o ONSTREAM ENGINEERING
LOCATION: BRAZEAU RIVER
SHEET#: 1 OF 1
JOB#: 16-Q171

11-12-44-13 WSM
PAPER SIZE 11"x17"
SCALE NTS
DWG# 16-Q171-770
REV B

Peyto Explor. & Devel. Corp. #6793



PACKAGE INFORMATION	
DIMENSIONS & WEIGHTS	
TOTAL PACKAGED UNIT	
PACKAGE HEIGHT:	24'-2 1/2"
PACKAGE LENGTH:	46'-7"
PACKAGE WIDTH:	25'-5 7/8"
PACKAGE WEIGHT:	194,000 LBS
MAIN SKID	
SHIPPING HEIGHT:	20'-2 1/8"
SHIPPING LENGTH:	35'-10"
SHIPPING WIDTH:	23'-8"
SHIPPING WEIGHT:	161,500 LBS
COOLER	
SHIPPING HEIGHT:	13'-4 7/8"
SHIPPING LENGTH:	25'-5 7/8"
SHIPPING WIDTH:	11'-8"
SHIPPING WEIGHT:	27,500 LBS



TAG	SIZE & RATING	SERVICE / DESCRIPTION
W10	2"-300/RF	GLYCOL HEAT RETURN
W9	2"-300/RF	GLYCOL HEAT SUPPLY
F21	2"-NPT	GLYCOL HOLDING TANK PUMP/OUT
F20	2"-NPT	WASTE OIL TANK PUMP/OUT
A2	16"-TUBE	ENGINE EXHAUST
A1	12"-TUBE	ENGINE AIR INLET
U26	2"-150/RF	INSTRUMENT AIR SUPPLY
U25	2"-600/RF	START GAS SUPPLY
U24	3"-PIPE	STARTER EXHAUST
U21	2"-150/RF	FUEL GAS SUPPLY
U20	8"-150/RF	FLARE HEADER
U7	1 1/2"-600/RF	SCRUBBER DRAIN HEADER
P9	4"-600/RF	OUTLET
P1	8"-300/RF	INLET
U2	2"-150/RF	GLYCOL TRANSFER PUMP
U23	2"-600/RF	START GAS SUPPLY
U22	2"-150/RF	FUEL GAS SUPPLY
U21	2"-150/RF	FUEL GAS SUPPLY
U20	8"-150/RF	FLARE HEADER
U17	1 1/2"-600/RF	SCRUBBER DRAIN HEADER
U16	1 1/2"-600/RF	SCRUBBER DRAIN HEADER
U15	1 1/2"-600/RF	SCRUBBER DRAIN HEADER
U14	1 1/2"-600/RF	SCRUBBER DRAIN HEADER
U13	1 1/2"-600/RF	SCRUBBER DRAIN HEADER
U12	1 1/2"-600/RF	SCRUBBER DRAIN HEADER
U11	1 1/2"-600/RF	SCRUBBER DRAIN HEADER
U10	1 1/2"-600/RF	SCRUBBER DRAIN HEADER
U9	1 1/2"-600/RF	SCRUBBER DRAIN HEADER
U8	1 1/2"-600/RF	SCRUBBER DRAIN HEADER
U7	1 1/2"-600/RF	SCRUBBER DRAIN HEADER
U6	1 1/2"-600/RF	SCRUBBER DRAIN HEADER
U5	1 1/2"-600/RF	SCRUBBER DRAIN HEADER
U4	1 1/2"-600/RF	SCRUBBER DRAIN HEADER
U3	1 1/2"-600/RF	SCRUBBER DRAIN HEADER
U2	1 1/2"-600/RF	SCRUBBER DRAIN HEADER
U1	1 1/2"-600/RF	SCRUBBER DRAIN HEADER

NOTES

1. ALL SKID EDGE CONNECTION PROJECTIONS 6" UNLESS OTHERWISE NOTED.
2. CONCRETE TO BE SHOP POURED

THIS DRAWING IS SOLE PROPERTY OF BIDELL EQUIPMENT AND SHALL NOT BE REPRODUCED, COPIED, LOANED, ALTERED NOR USED FOR ANY PURPOSE OTHER THAN THAT WHICH IT IS FURNISHED EXCEPT WITH THE WRITTEN PERMISSION OF BIDELL EQUIPMENT.

UNIT NUMBER	ISSUED FOR CONSTRUCTION
<input type="checkbox"/> 16-980	
<input type="checkbox"/> 16-981	
<input type="checkbox"/> 16-982	
<input type="checkbox"/> 16-983	
<input type="checkbox"/> 16-984	
<input type="checkbox"/> 16-985	
<input type="checkbox"/> 16-986	
<input type="checkbox"/> 16-987	

IFC

2016/11/30

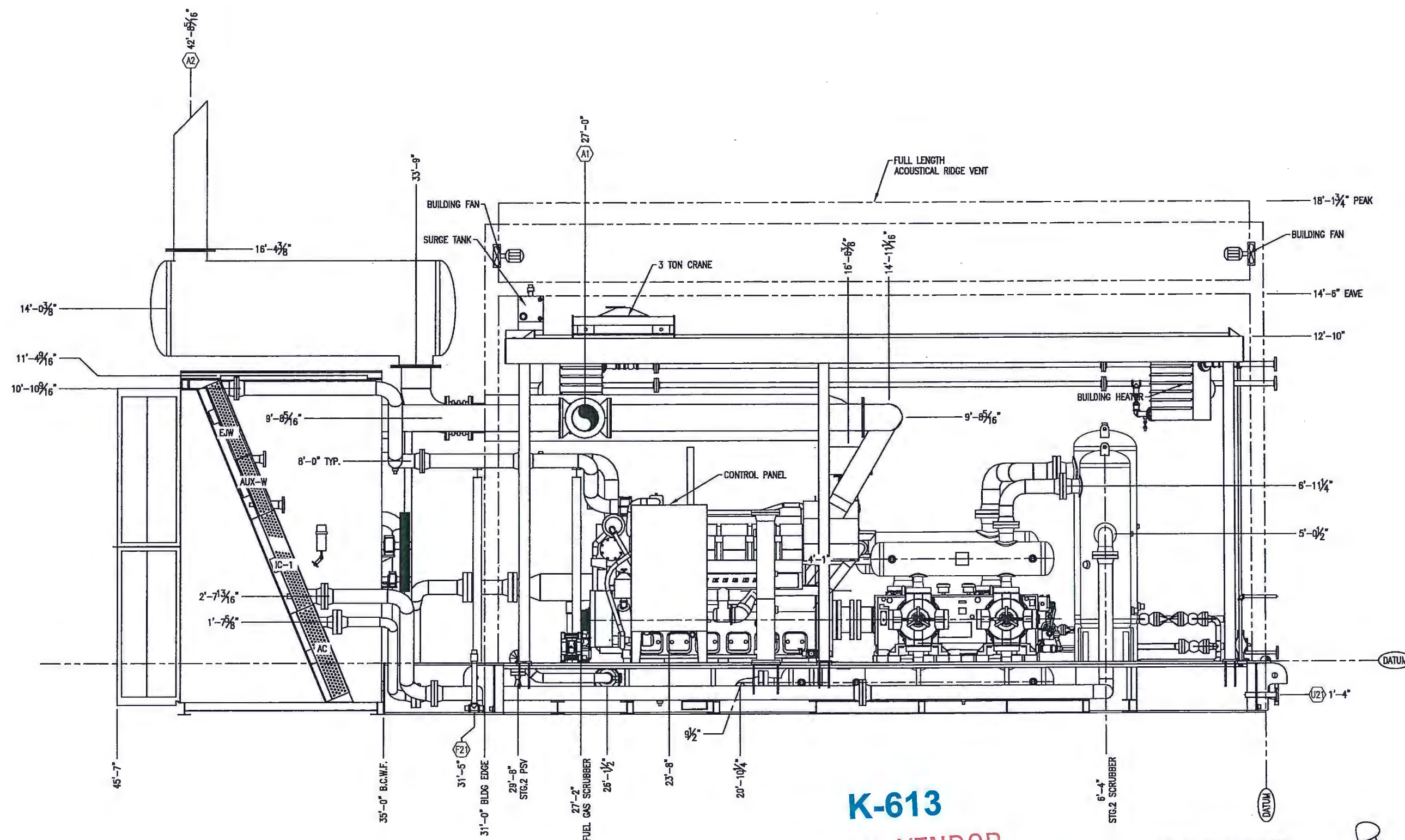
ORIGINAL VENDOR DRAWING SEP 01 2017 DO NOT MARK UP

K-613

MAIN SHOP / OFFICE 6900 - 112th AVENUE S.E. CALGARY, AB T2C 1K1 PHONE: (403) 235-5877 FAX: (403) 272-7748	BIDELL™ GAS COMPRESSION APEGA PERMIT NUMBER P08318
GENERAL ARRANGEMENT (PLAN VIEW) WAUKESHA LS794LT / ARIEL JCK/4-2 / AIR-X LIMITED 144EF-102-24 CUSTOMER: PEYTO EXPLORATION c/o ONSTREAM ENGINEERING LOCATION: BRAZEAU RIVER LSD: 11-12-44-13 WSM	
SHEET: 1 OF 5 JOB#: SEE TABLE	PAPER SIZE: 11"x17" SCALE: NTS DWG#: 16-Q171-100 REV: B

REV	DATE	CREATED	REVISED	APPROVED	DESCRIPTION
B	16-11-30	JQ	CP	DT	ISSUED FOR CONSTRUCTION
A	16-11-15	JQ	CP	DT	RE-ISSUED FOR APPROVAL
O	16-10-24	JQ	CP	PM	ISSUED FOR APPROVAL
					REVISIONS

Peyto Explor. & Devel. Corp. #6793



K-613

**ORIGINAL VENDOR
DRAWING SEP 8 1 2017
DO NOT MARK UP**

- 16-980
- 16-981
- 16-982
- 16-983
- 16-984
- 16-985
- 16-986
- 16-987

THIS DRAWING IS SOLE PROPERTY OF BIDELL EQUIPMENT AND SHALL NOT BE REPRODUCED, COPIED, LOANED, REPRODUCED FOR ANY PURPOSE OTHER THAN WHICH IT IS FURNISHED EXCEPT WITH THE WRITTEN PERMISSION OF BIDELL EQUIPMENT

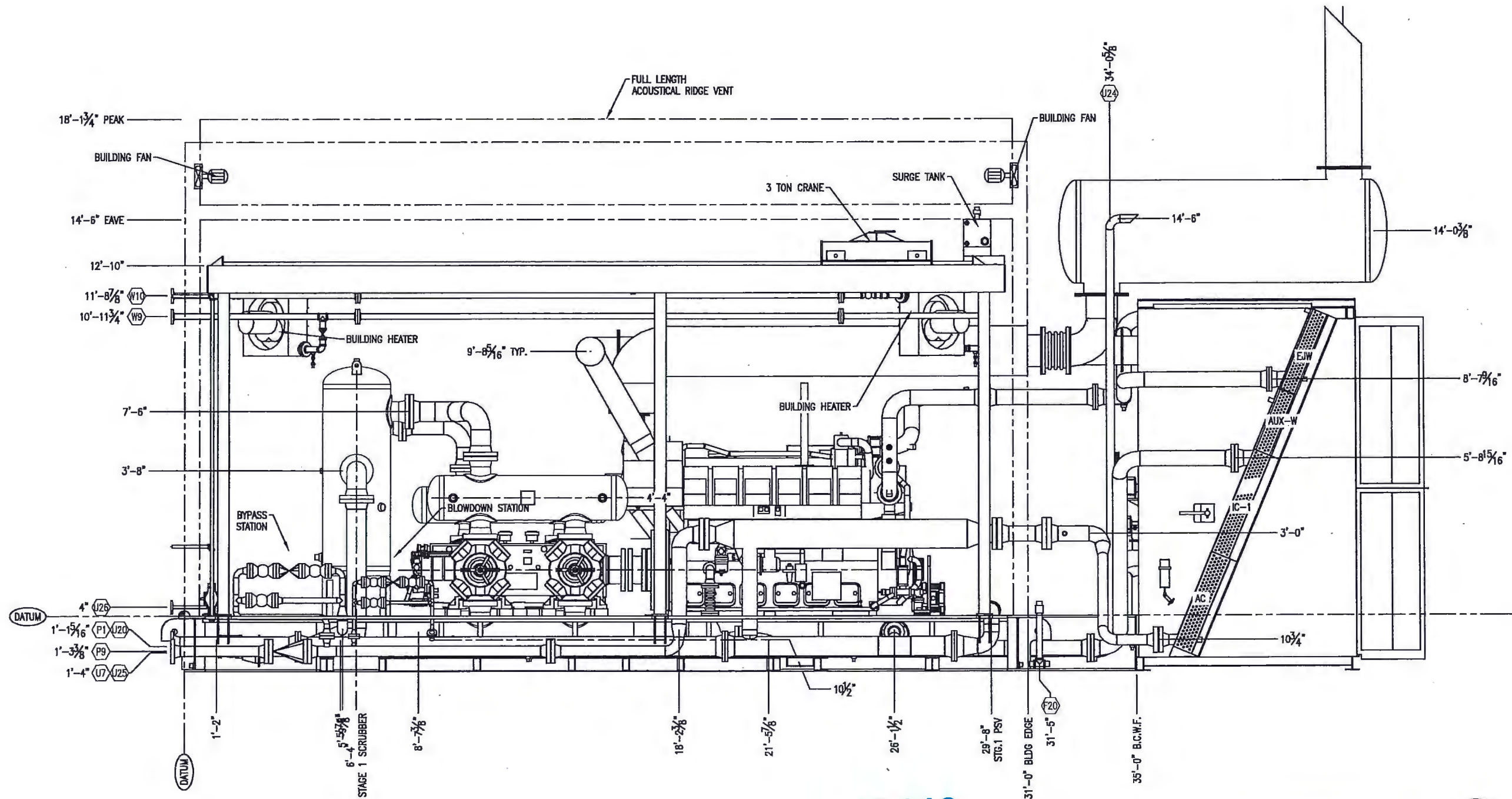
ISSUED FOR CONSTRUCTION

IFC

2016/11/30

REV	DATE	CREATED	REMOVED	APPROVED	DESCRIPTION
B	16-11-30	JQ	CP	UT	ISSUED FOR CONSTRUCTION
REVISIONS					
BIDDEN SHOP / OFFICE 6900 - 112th AVENUE S.E. CALGARY, AB T2C 6E1 PHONE: (403) 235-5877 FAX: (403) 272-7748					
BIDELL GAS COMPRESSION					APEGA PERMIT NUMBER P08318
GENERAL ARRANGEMENT (SOUTH ELEVATION)					
WALKESHA L5794LT / AREL JGK/4-2 / AIR-X LIMITED 144EF-102-24 CUSTOMER: PEYTO EXPLORATION c/o ONSTREAM ENGINEERING LOCATION: BRAZEAU RIVER LSD: 11-12-44-13 WSM					
PAPER SIZE 11"x17"				SCALE NTS	DWG# 16-Q171-100
				2 OF 5 SHEET#	REV B

Peyto Explor. &
 Devel. Corp. #6793



K-613 SEP 01 2017

**ORIGINAL VENDOR
DRAWING
DO NOT MARK UP**

- 16-980
- 16-981
- 16-982
- 16-983
- 16-984
- 16-985
- 16-986
- 16-987

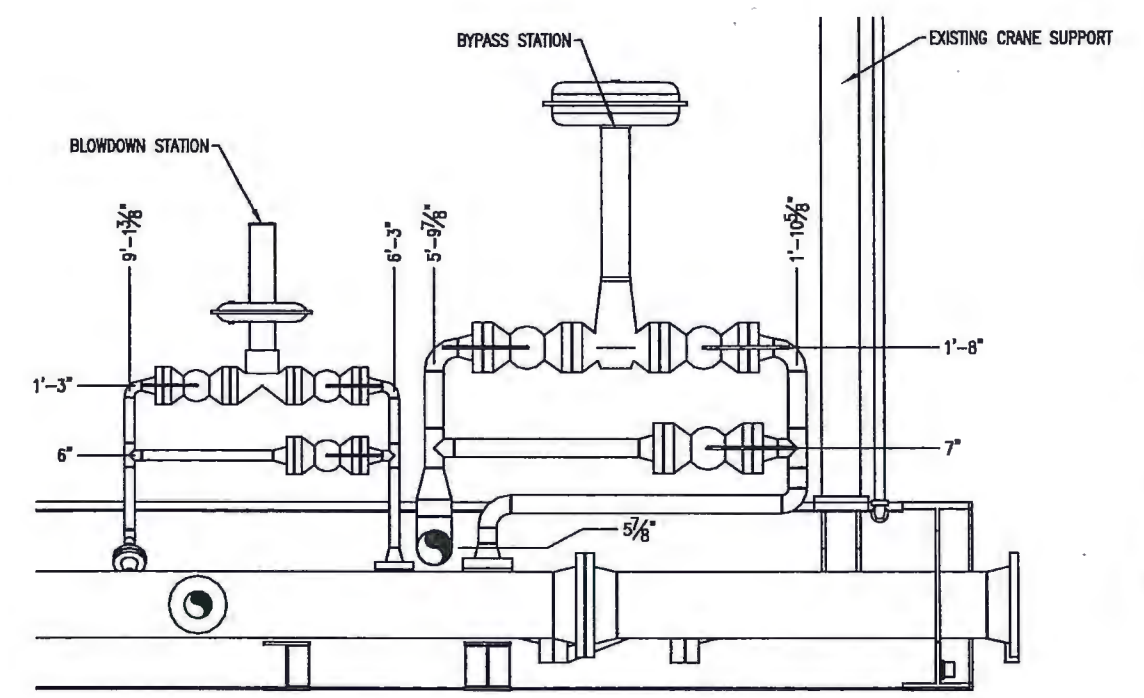
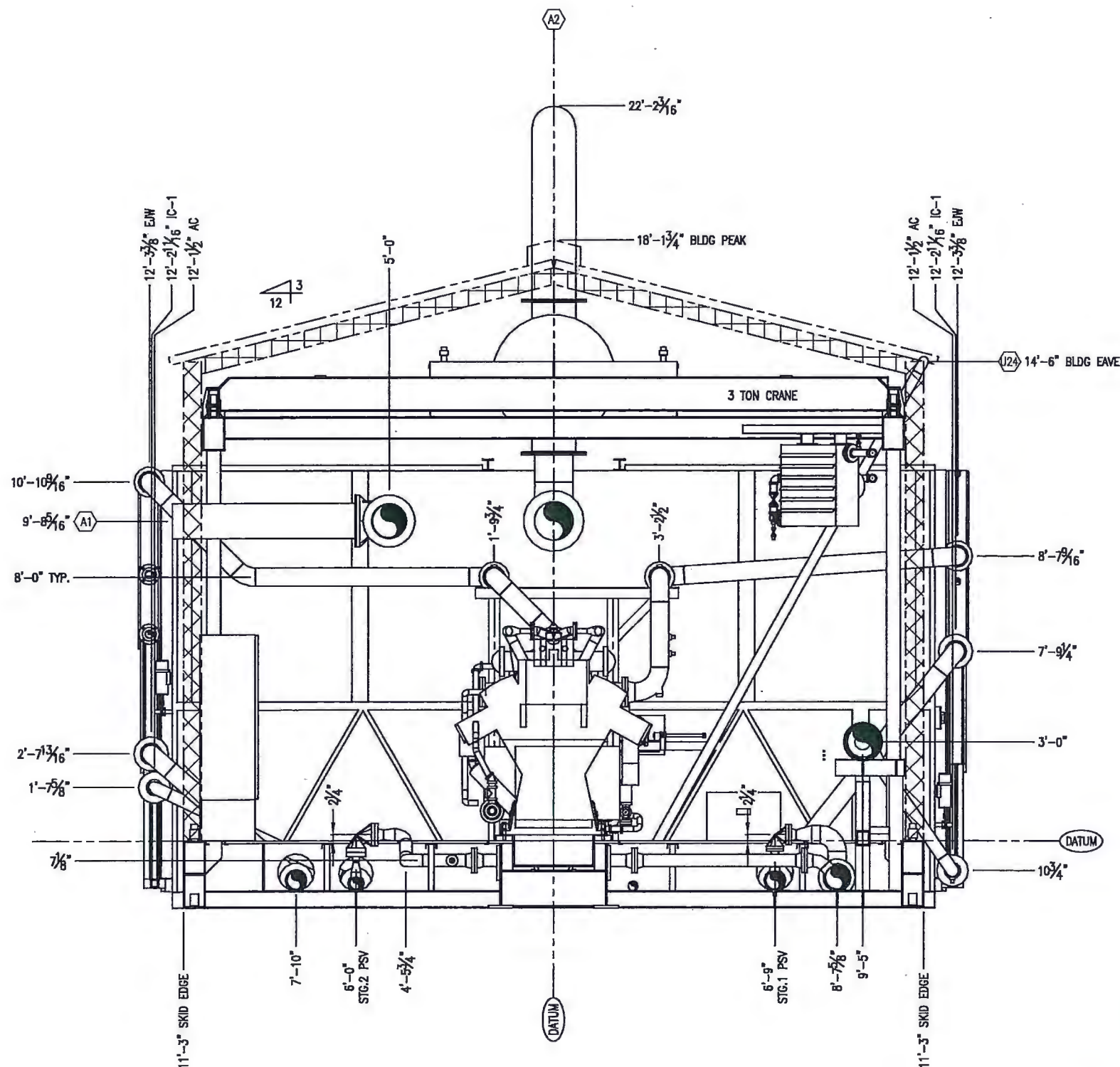
ISSUED FOR CONSTRUCTION

IFC

2016/11/30

REV	DATE	CREATED	REVISED	APPROVED	DESCRIPTION
B	16-11-30	JQ	CP	DT	ISSUED FOR CONSTRUCTION
REVISIONS					
WASH SHOP / OFFICE 6900 - 112th AVENUE S.E. CALGARY, AB T2C 1Z1 PHONE: (403) 235-5877 FAX: (403) 272-7748					
BIDELL ™					
GAS COMPRESSION					
APEGA PERMIT NUMBER P08318					
GENERAL ARRANGEMENT (NORTH ELEVATION)					
WAWKESHA L5794LT / ARIEL JCK/4-2 / AR-X LIMITED 144EF-102-24					
CUSTOMER: PEYTO EXPLORATION c/o DNSTREAM ENGINEERING					
LOCATION: BRAZEAU RIVER					
LSD: 11-12-44-13 WSM					
PAPER SIZE 11"x17"		SCALE N.T.S.		DWG# 16-Q171-100	
				REV B	

Peyto Explor. & Devel. Corp. #6793

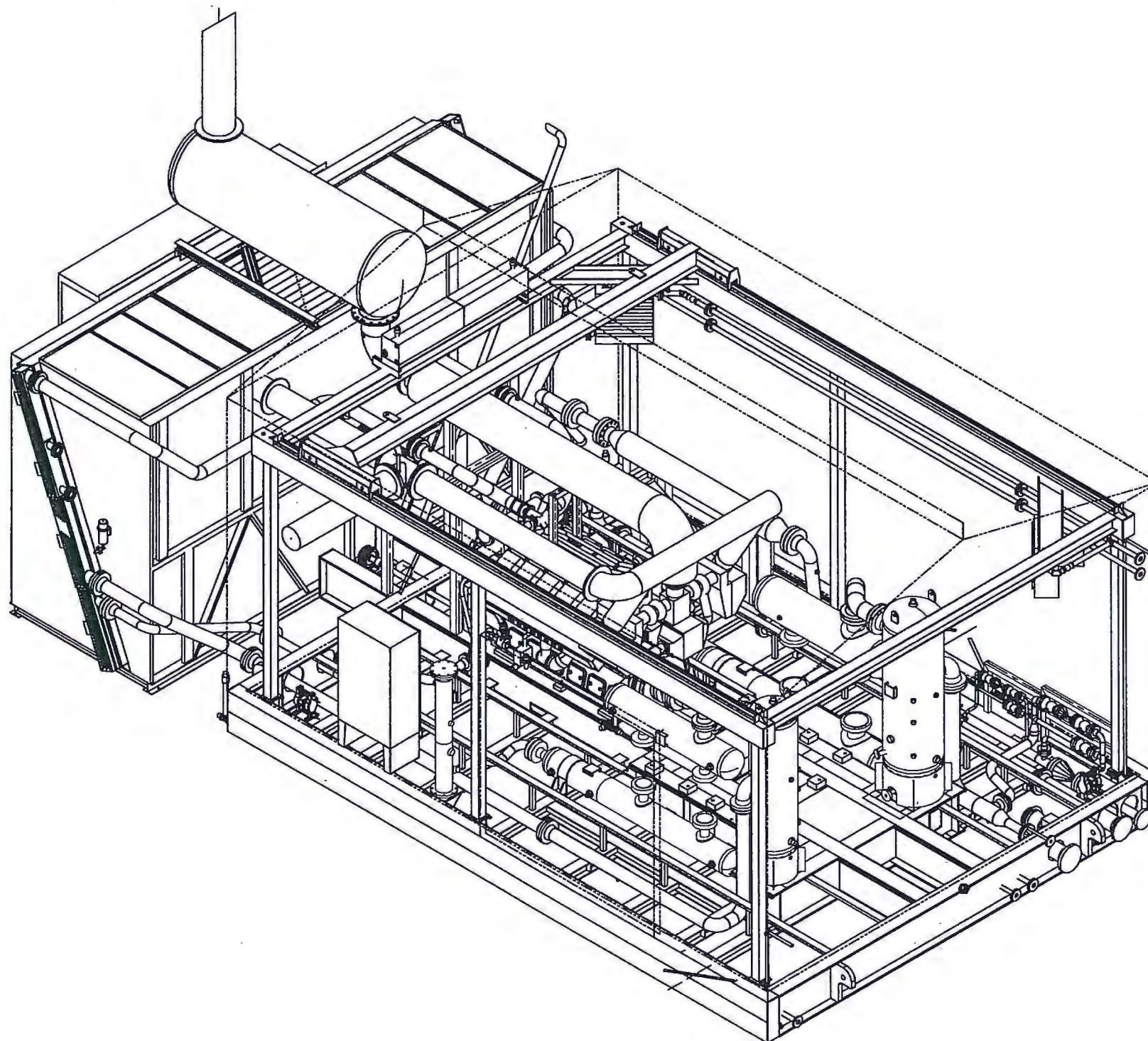


K-613
 ORIGINAL VENDOR
 DRAWING
 DO NOT MARK UP

SEP 01 2017

THIS DRAWING IS SOLE PROPERTY OF BIDELL EQUIPMENT AND SHALL NOT BE REPRODUCED, COPIED, LOANED, ALIENED NOR USED FOR ANY PURPOSE OTHER THAN WHICH IT IS FURNISHED EXCEPT WITH THE WRITTEN PERMISSION OF BIDELL EQUIPMENT.		B 16-11-30 JQ CP DT ISSUED FOR CONSTRUCTION		REVISIONS DESCRIPTION	
UNIT NUMBER <input type="checkbox"/> 16-980 <input type="checkbox"/> 16-981 <input type="checkbox"/> 16-982 <input type="checkbox"/> 16-983 <input type="checkbox"/> 16-984 <input type="checkbox"/> 16-985 <input type="checkbox"/> 16-986 <input type="checkbox"/> 16-987	IFC 2016/11/30		WALKER SHOP / OFFICE 6900 - 11226 AVENUE S.E. CALGARY, AB T2C 4Z1 PHONE: (403) 235-5877 FAX: (403) 272-7744		APEGA PERMIT NUMBER P08318
GENERAL ARRANGEMENT (COOLER END VIEW) WALKER/SHAW L57941LT / ARIEL JGK/4-2 / AIR-X LIMITED 144EF-102-24 CUSTOMER: PEYTO EXPLORATION c/o ONSTREAM ENGINEERING LOCATION: BRAZEAU RIVER LSD: 11-12-44-13 WSM			SHEET# 4 OF 5 JOB# SEE TABLE		
PAPER SIZE 11"x17"		SCALE NTS	DWG# 16-Q171-100	REV B	

Peyto Explor. &
 Devel. Corp. #6793



Peyto Explor. & Dev. Corp. #6793

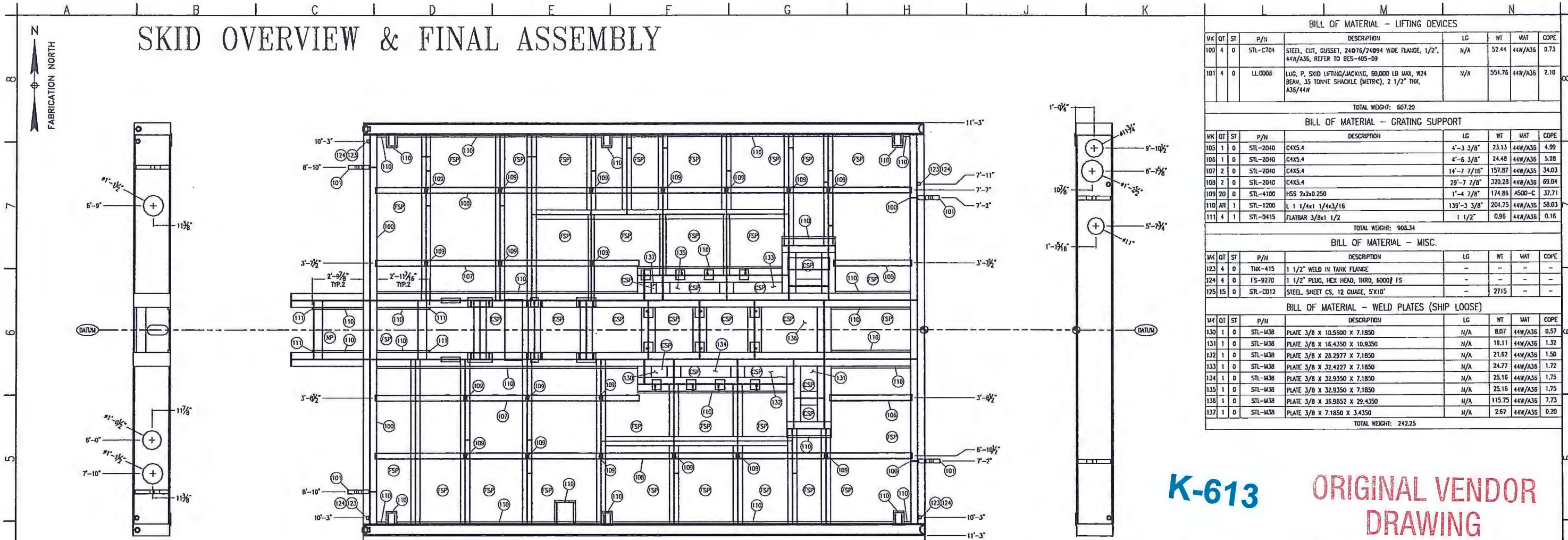
K-613

ORIGINAL VENDOR
DRAWING SEP 01 2017

DO NOT MARK UP

UNIT NUMBER <input type="checkbox"/> 16-980 <input type="checkbox"/> 16-981 <input type="checkbox"/> 16-982 <input type="checkbox"/> 16-983 <input type="checkbox"/> 16-984 <input type="checkbox"/> 16-985 <input type="checkbox"/> 16-986 <input type="checkbox"/> 16-987	<b style="font-size: 36pt;">IFC 2016/11/30	THIS DRAWING IS SOLE PROPERTY OF BIDELL EQUIPMENT AND SHALL NOT BE REPRODUCED, COPIED, LOANED, ALTERED NOR USED FOR ANY PURPOSE OTHER THAN WHICH IT IS FURNISHED EXCEPT WITH THE WRITTEN PERMISSION OF BIDELL EQUIPMENT.	B 16-11-30 JQ CP DT ISSUED FOR CONSTRUCTION	REVISIONS DESCRIPTION	WALKER SHOP / OFFICE 6900 - 112th AVENUE S.E. CALGARY, AB T2C 4E1 PHONE: (403) 236-5677 FAX: (403) 272-7748	<b style="font-size: 18pt;">BIDELL™ GAS COMPRESSION APEGA PERMIT NUMBER P08318	GENERAL ARRANGEMENT (ISOMETRIC VIEW) WALKERSHA L5794LT / ARIEL JOK/4-2 / AR-X LIMITED 144CF-102-24 CUSTOMER: PEYTO EXPLORATION c/o ONSTREAM ENGINEERING LOCATION: BRAZEAU RIVER LSD: 11-12-44-13 WSM	SHEET#: 5 OF 5 JOB#: SEE TABLE	PAPER SIZE 11"x17" SCALE NTS DWG# 16-Q171-100 REV B
---	---	--	--	--------------------------	---	---	--	-----------------------------------	--

SKID OVERVIEW & FINAL ASSEMBLY



BILL OF MATERIAL - LIFTING DEVICES									
MK	QT	ST	P/N	DESCRIPTION	LG	WT	MAT	COPE	
100	4	0	STL-C704	STEEL CUT, GUSSET, 24076/24094 WIDE FLANGE, 1/2", 44W/A36, REFER TO BES-405-09	N/A	52.44	44W/A36	0.73	
101	4	0	LL.0008	LUG, P. SKID LIFTING/JACKING, 60,000 LB MAX, W24 BEAM, 35 TONNE SHACKLE (METRIC), 2 1/2" THK, A36/44W	N/A	551.76	44W/A36	2.10	
TOTAL WEIGHT: 607.20									

BILL OF MATERIAL - GRATING SUPPORT									
MK	QT	ST	P/N	DESCRIPTION	LG	WT	MAT	COPE	
105	1	0	STL-2040	C4XS.4	4'-3 3/8"	23.13	44W/A36	4.99	
106	1	0	STL-2040	C4XS.4	4'-6 3/8"	24.48	44W/A36	5.28	
107	2	0	STL-2040	C4XS.4	14'-7 7/16"	157.87	44W/A36	34.03	
108	2	0	STL-2040	C4XS.4	29'-7 7/8"	320.28	44W/A36	69.04	
109	20	0	STL-4100	HSS 2x2x0.250	1'-4 7/8"	174.86	A500-C	37.71	
110	AR	1	STL-1200	L 1 1/4x1 1/4x3/16	139'-3 3/8"	204.75	44W/A36	58.03	
111	4	1	STL-0415	FLATBAR 3/8x1 1/2	1 1/2"	0.96	44W/A36	0.16	
TOTAL WEIGHT: 906.34									

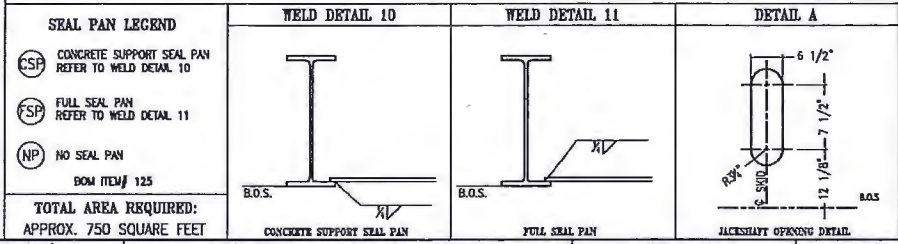
BILL OF MATERIAL - MISC.								
MK	QT	ST	P/N	DESCRIPTION	LG	WT	MAT	COPE
123	4	0	TNK-415	1 1/2" WELD IN TANK FLANGE	-	-	-	-
124	4	0	FS-9270	1 1/2" PLUG, HEX HEAD, THRD, 6000F FS	-	-	-	-
125	15	0	STL-C012	STEEL SHEET CS, 12 GAUGE, 5'X10'	-	2715	-	-

BILL OF MATERIAL - WELD PLATES (SHIP LOOSE)									
MK	QT	ST	P/N	DESCRIPTION	LG	WT	MAT	COPE	
130	1	0	STL-M38	PLATE 3/8 X 10.5600 X 7.1850	N/A	8.07	44W/A36	0.57	
131	1	0	STL-M38	PLATE 3/8 X 16.4350 X 10.9350	N/A	19.11	44W/A36	1.32	
132	1	0	STL-M38	PLATE 3/8 X 28.2977 X 7.1850	N/A	21.62	44W/A36	1.50	
133	1	0	STL-M38	PLATE 3/8 X 32.4227 X 7.1850	N/A	24.77	44W/A36	1.72	
134	1	0	STL-M38	PLATE 3/8 X 32.9350 X 7.1850	N/A	25.16	44W/A36	1.75	
135	1	0	STL-M38	PLATE 3/8 X 32.9350 X 7.1850	N/A	25.16	44W/A36	1.75	
136	1	0	STL-M38	PLATE 3/8 X 36.9852 X 29.4350	N/A	115.75	44W/A36	7.73	
137	1	0	STL-M38	PLATE 3/8 X 7.1850 X 3.4350	N/A	2.67	44W/A36	0.20	
TOTAL WEIGHT: 242.25									

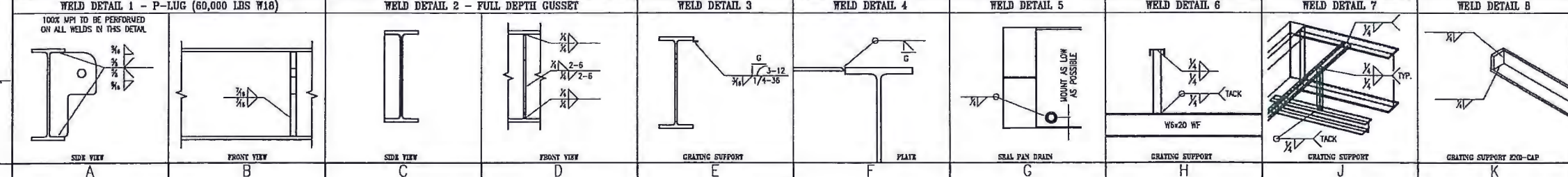
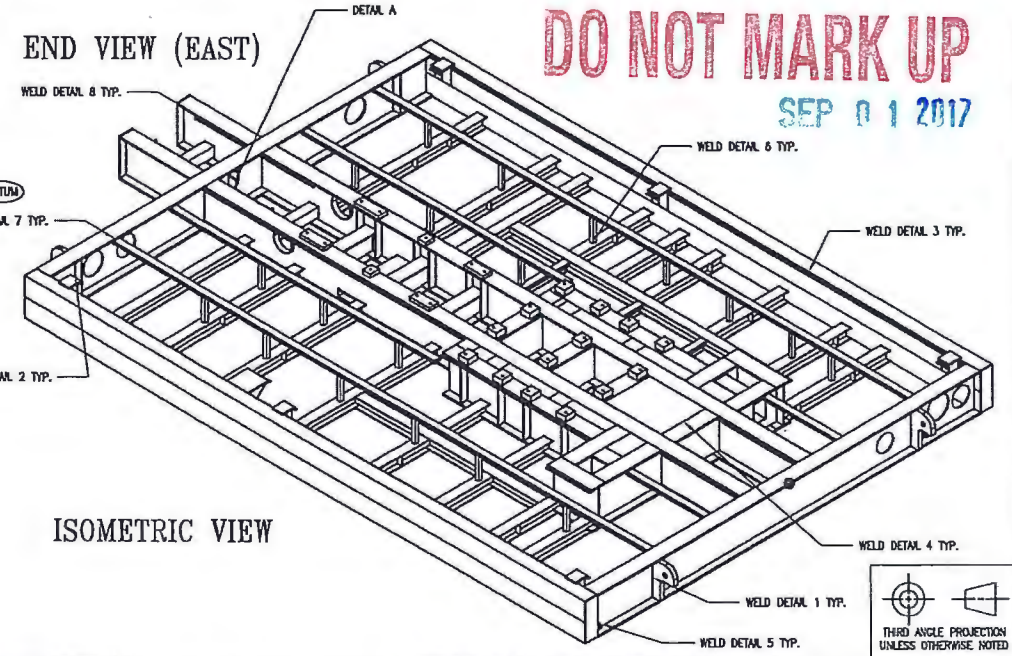
K-613 ORIGINAL VENDOR DRAWING DO NOT MARK UP
 SEP 01 2017

Peyto Explor. & Devel. Corp. #6793

SKID WEIGHT SUMMARY	
CENTER ASSEMBLY:	
NORTH SCRUBBER BOX:	885 LBS
SOUTH SCRUBBER BOX:	970 LBS
NORTH COMPRESSOR BOX:	1,072 LBS
SOUTH COMPRESSOR BOX:	1,056 LBS
CENTER SECTION:	7,177 LBS
CENTER ASSEMBLY TOTAL:	11,200 LBS
TANKS:	
NORTH TANK TOTAL:	3,161 LBS
SOUTH TANK TOTAL:	3,161 LBS
OTHER STEEL:	
ALL OTHER STRUCTURAL STEEL:	9,691 LBS
(END BEAMS, COOLER ALIGNMENT BEAMS, STRINGERS, CHANNEL, GRATING SUPPORT, PASSTHROUGHS, OUTBOARD SUPPORTS)	
SEAL PAN:	2,715 LBS
OTHER STEEL TOTAL:	12,406 LBS
TOTAL STEEL WEIGHT:	29,928 LBS
+8% SAFETY:	2,394 LBS
CONCRETE:	22,679 LBS
TOTAL SKID WEIGHT:	55,001 LBS
(INCLUDING STEEL & CONCRETE)	



- SKID FABRICATION NOTES**
- ALL ITEMS DIMENSIONS TO CENTER-LINE (EXCEPT WHERE OTHERWISE NOTED)
 - ALL TAIL DIMENSIONS FROM MAIN SKID DATUM
 - WELDING TO BE PERFORMED BY CWB QUALIFIED WELDERS ONLY.
 - SEAL PAN TO BE LEAK TESTED (15 WGN WATER TEST)

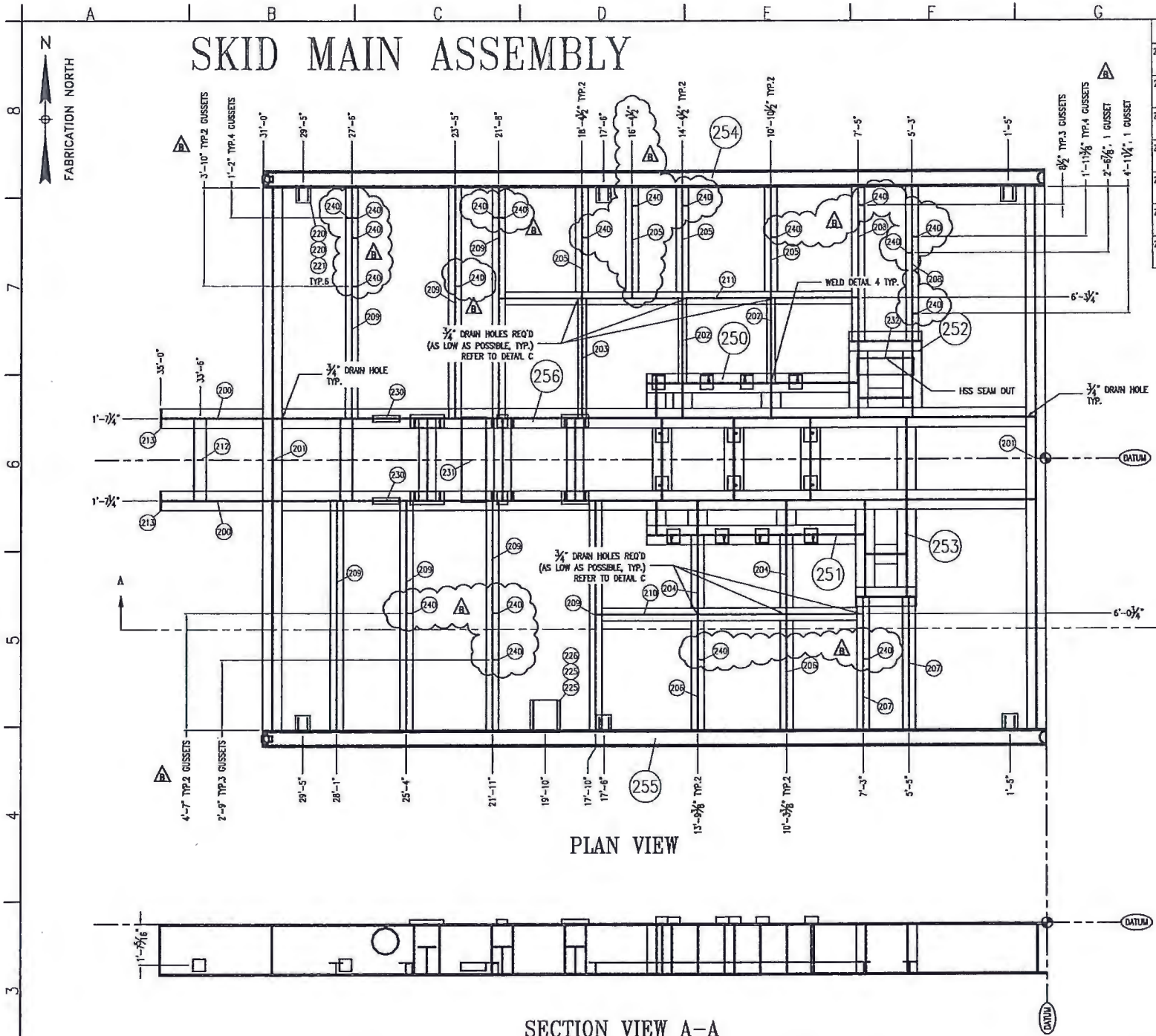


UNIT NUMBER	ISSUED FOR CONSTRUCTION
16-980	
16-981	
16-982	
16-983	
16-984	
16-985	
16-986	
16-987	

IFC 2016/11/25

16-Q171-400

SKID MAIN ASSEMBLY



BILL OF MATERIAL - SUB-ASSEMBLIES

QTY	ST	P/N	DESCRIPTION	LG	WT	MAT	COPE
250	1	N/A	NORTH COMPRESSOR BOX, REFER TO 16-0171-400 SHEET 4	N/A	-	-	-
251	1	N/A	SOUTH COMPRESSOR BOX, REFER TO 16-0171-400 SHEET 4	N/A	-	-	-
252	1	N/A	NORTH SCRUBBER BOX, REFER TO 16-0171-400 SHEET 4	N/A	-	-	-
253	1	N/A	SOUTH SCRUBBER BOX, REFER TO 16-0171-400 SHEET 4	N/A	-	-	-
254	1	N/A	NORTH TANK ASSEMBLY, REFER TO 16-0171-400 SHEET 4	N/A	-	-	-
255	1	N/A	SOUTH TANK ASSEMBLY, REFER TO 16-0171-400 SHEET 4	N/A	-	-	-
256	1	N/A	CENTER SECTION ASSEMBLY, REFER TO 16-0171-400 SHEET 5	N/A	-	-	-

BILL OF MATERIAL - GENERAL

QTY	ST	P/N	DESCRIPTION	LG	WT	MAT	COPE
200	2	0	STL-3242	W24X94	772.48	A572-50	60.30
201	2	0	STL-3242	W24X94	772.48	A572-50	295.80
202	2	0	STL-3040	W4X13	79.16	A572-50	13.12
203	1	0	STL-3040	W4X13	57.18	A572-50	9.27
204	2	0	STL-3061	W6X20	103.91	A572-50	18.41
205	4	0	STL-3061	W6X20	247.22	A572-50	38.67
206	2	0	STL-3061	W6X20	173.15	A572-50	27.03
207	2	0	STL-3061	W6X20	200.93	A572-50	30.96
208	2	0	STL-3061	W6X20	234.27	A572-50	35.96
209	7	0	STL-3061	W6X20	1234.10	A572-50	187.90
210	1	0	STL-3061	W6X20	208.98	A572-50	32.40
211	1	0	STL-3061	W6X20	268.98	A572-50	41.39
212	1	0	STL-4630	HSS 6x6x0.250	60.21	A500-C	12.13
213	2	0	STL-C702	WIDE FLANGE END CAP 24094 (REFER TO DWG BES-405-19)	N/A	44W/A36	1.65

TOTAL WEIGHT: 7671.02

BILL OF MATERIAL - CRANE BASEPLATE

QTY	ST	P/N	DESCRIPTION	LG	WT	MAT	COPE
220	12	0	STL-C707	12"x6" CRANE BASE GUSSET FOR 6" BUILDING WALLS (REFER TO DWG BES-425-04)	N/A	44W/A36	0.43
221	6	0	STL-M34	PLATE 3/4 X 8.00 X 7.00	N/A	44W/A36	0.47

TOTAL WEIGHT: 19.57

BILL OF MATERIAL - FUEL GAS SCRUBBER BASEPLATE

QTY	ST	P/N	DESCRIPTION	LG	WT	MAT	COPE
225	2	0	STL-C744	1/2" GUSSET FOR FUEL GAS SCRUBBER BASE (REFER TO DWG BES-405-42)	N/A	44W/A36	0.76
226	1	0	STL-C745	3/4"x14"x14" BASEPLATE FOR FUEL GAS SCRUBBER (REFER TO DWG BES-405-43)	N/A	44W/A36	1.51

TOTAL WEIGHT: 69.48

BILL OF MATERIAL - PASS-THROUGHS

QTY	ST	P/N	DESCRIPTION	LG	WT	MAT	COPE
230	2	1	PIP-01200	12" PIPE, SMLS, SCH STD	3'	5A-106-B	3.24
231	1	0	STL-4888	HSS 12x4x0.250	3'-3 3/4"	A500-C	16.80
232	1	1	NPN	HSS 12x8x0.250	2'-3 1/4"	A500-C	14.77

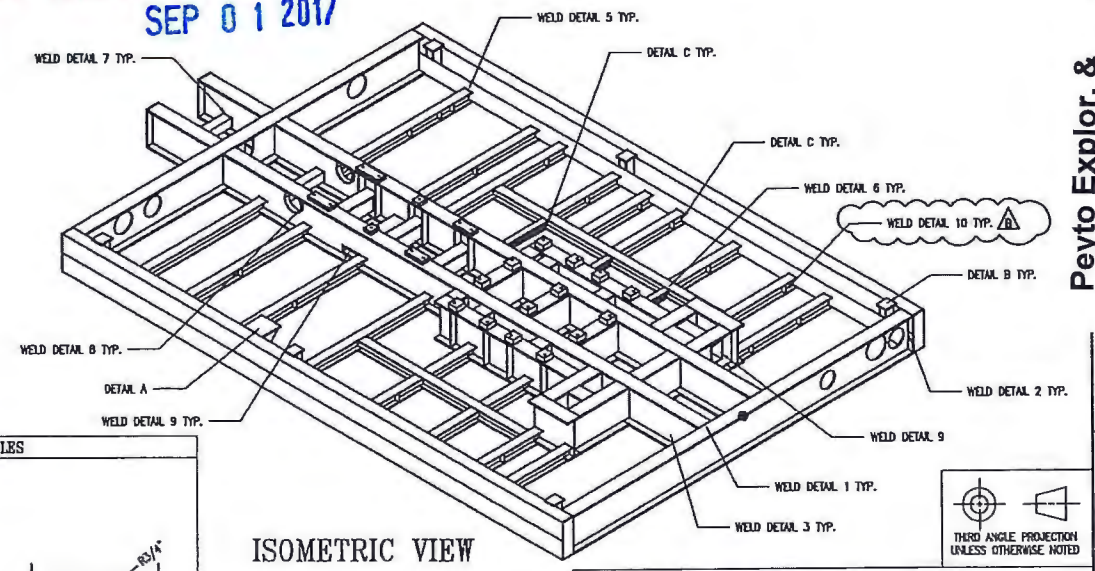
TOTAL WEIGHT: 175.14

BILL OF MATERIAL - STRINGER GUSSETS

QTY	ST	P/N	DESCRIPTION	LG	WT	MAT	COPE
240	20	0	STL-C760	STEEL, CUT, GUSSET, 8020 WIDE FLANGE, 3/8", 44W/A36, REFER TO BES-405-53	N/A	44W/A36	0.12

TOTAL WEIGHT: 30.57

K-613
 ORIGINAL VENDOR
 DRAWING
 DO NOT MARK UP
 SEP 01 2017



Payto Explor. &
 Devel. Corp. #6793

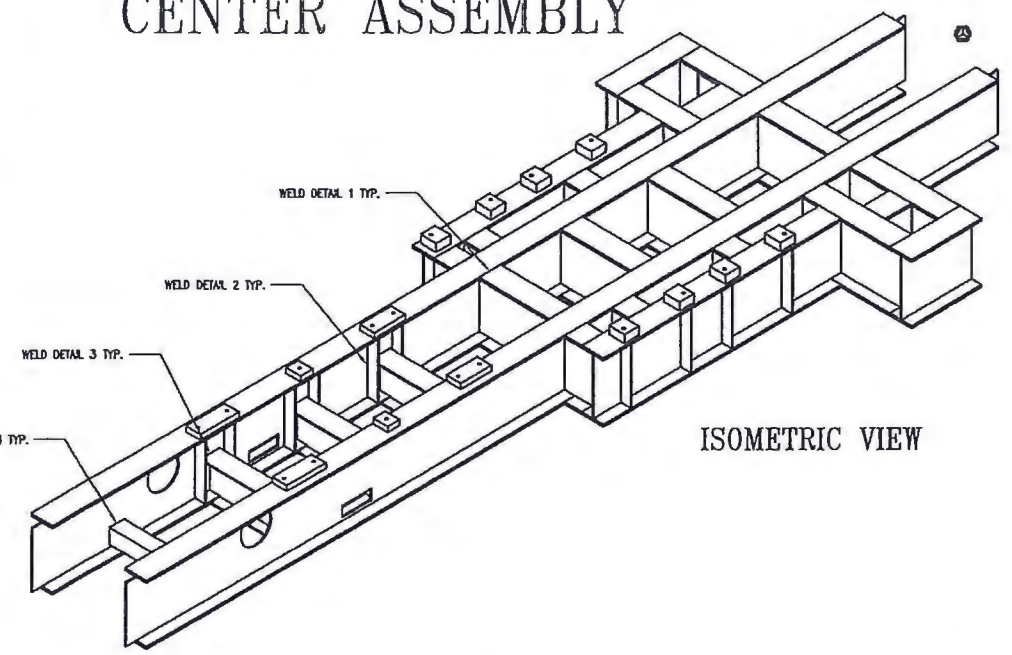
DETAIL A - FUEL GAS SCRUBBER BASEPLATE	DETAIL B - CRANE LEG BASE (6 PLACES)	DETAIL C - SEAL PAN COMMUNICATION HOLES
<p>WELD DETAIL 1</p>	<p>WELD DETAIL 2</p>	<p>WELD DETAIL 3</p>
<p>WELD DETAIL 4</p>	<p>WELD DETAIL 5</p>	<p>WELD DETAIL 6</p>
<p>WELD DETAIL 7</p>	<p>WELD DETAIL 8</p>	<p>WELD DETAIL 9</p>
<p>WELD DETAIL 10</p>	<p>WELD DETAIL 10</p>	<p>WELD DETAIL 10</p>

SKID FABRICATION NOTES

- ALL ITEMS DIMENSIONED TO CENTER-LINE (EXCEPT WHERE OTHERWISE NOTED)
- ALL TAB DIMENSIONS FROM MAIN SDO DATUM.
- WELDING TO BE PERFORMED BY CWS QUALIFIED WELDERS ONLY.

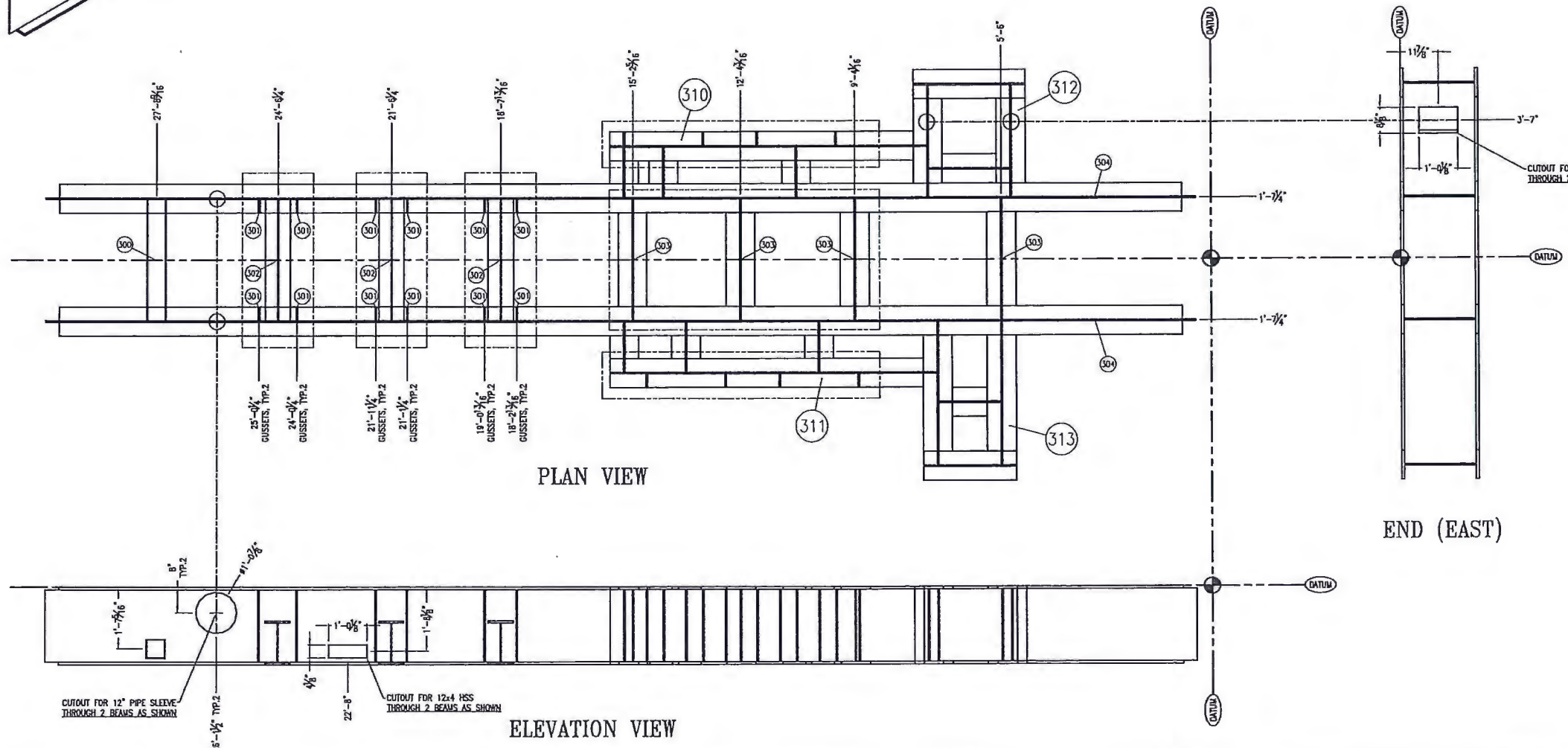
ISSUED FOR CONSTRUCTION	
<h1>IFC</h1>	BIDELL GAS COMPRESSION APEDA PERMIT NUMBER 100318 2016/11/25

CENTER ASSEMBLY



ISOMETRIC VIEW

NOTE:
AREAS OUTLINED AS SHOWN ARE EQUIPMENT MOUNTING SURFACES
(500 SHOP TO ENSURE FLATNESS AT TOP OF 500)



PLAN VIEW

ELEVATION VIEW

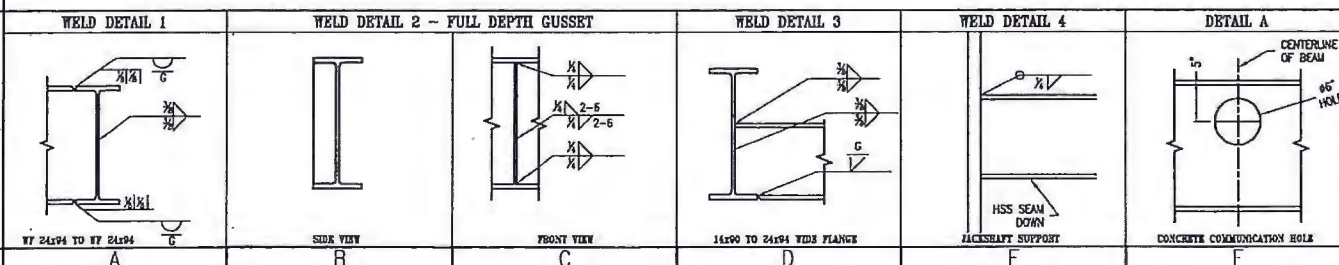
END (EAST)

BILL OF MATERIAL								
QTY	ST	P/N	DESCRIPTION	LG	WT	COPE		
300	1	0	STL-4530	HSS 6x6x0.250	3'-2"	60.21	A500-C	12.13
301	12	0	STL-C704	STEEL CUT, GUSSET, 24076/24094 WIDE FLANGE, 1/2", 44W/A36, REFER TO BES-403-09	N/A	157.32	44W/A36	0.73
302	3	0	STL-3142	W14x43	3'-2"	375.94	A572-50	48.44
303	4	0	STL-3242	W24x94	3'-2"	1035.55	A572-50	84.47
304	2	0	STL-3242	W24x94	30'-2 7/16"	5547.69	A572-50	422.07
TOTAL WEIGHT: 7176.70								

BILL OF MATERIAL - SUB-ASSEMBLIES								
QTY	ST	P/N	DESCRIPTION	LG	WT	COPE		
310	1	N/A	NPN	NORTH COMPRESSOR BOX, REFER TO 16-0171-400 SHEET 4	N/A	-	-	-
311	1	N/A	NPN	SOUTH COMPRESSOR BOX, REFER TO 16-0171-400 SHEET 4	N/A	-	-	-
312	1	N/A	NPN	NORTH SCRUBBER BOX, REFER TO 16-0171-400 SHEET 4	N/A	-	-	-
313	1	N/A	NPN	SOUTH SCRUBBER BOX, REFER TO 16-0171-400 SHEET 4	N/A	-	-	-

K-613
ORIGINAL VENDOR DRAWING
DO NOT MARK UP
 SEP 01 2017

Payto Explor. &
 Devel. Corp. #6793



SKID FABRICATION NOTES
 1. ALL ITEMS DIMENSIONED TO CENTER-LINE (EXCEPT WHERE OTHERWISE NOTED)
 2. ALL TAIL DIMENSIONS FROM MAIN SKID DATUM
 3. SKID SHOP TO ENSURE FLATNESS FOR EQUIPMENT MOUNTING IN AREAS SHOWN.
 4. WELDING TO BE PERFORMED BY CWB QUALIFIED WELDERS ONLY.

UNIT NUMBER
<input type="checkbox"/> 16-980
<input type="checkbox"/> 16-981
<input type="checkbox"/> 16-982
<input type="checkbox"/> 16-983
<input type="checkbox"/> 16-984
<input type="checkbox"/> 16-985
<input type="checkbox"/> 16-986
<input type="checkbox"/> 16-987

ISSUED FOR CONSTRUCTION

IFC

2018/11/25

16-0171-400

THIRD ANGLE PROJECTION UNLESS OTHERWISE NOTED

REVISIONS

NO.	DATE	DESCRIPTION

APCA PERMIT NUMBER: P03318

COMPRESSOR BOXES

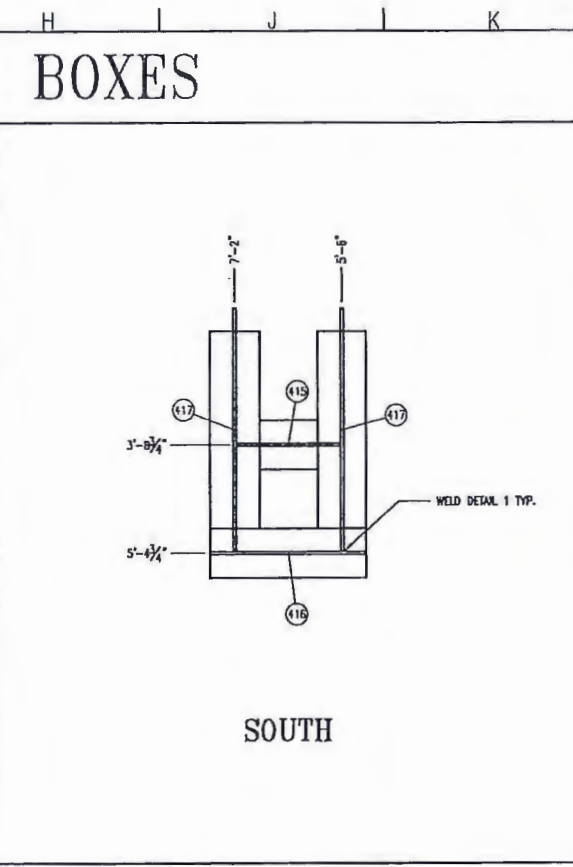
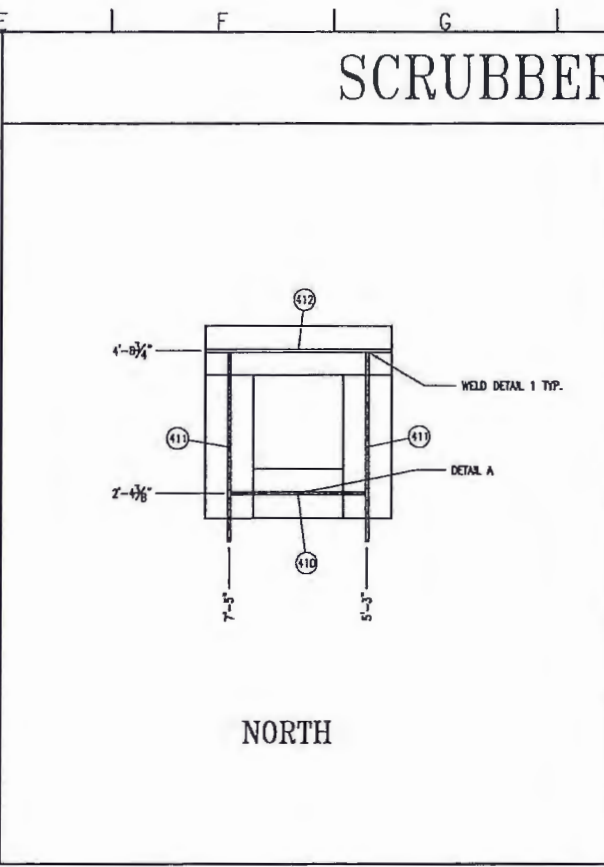
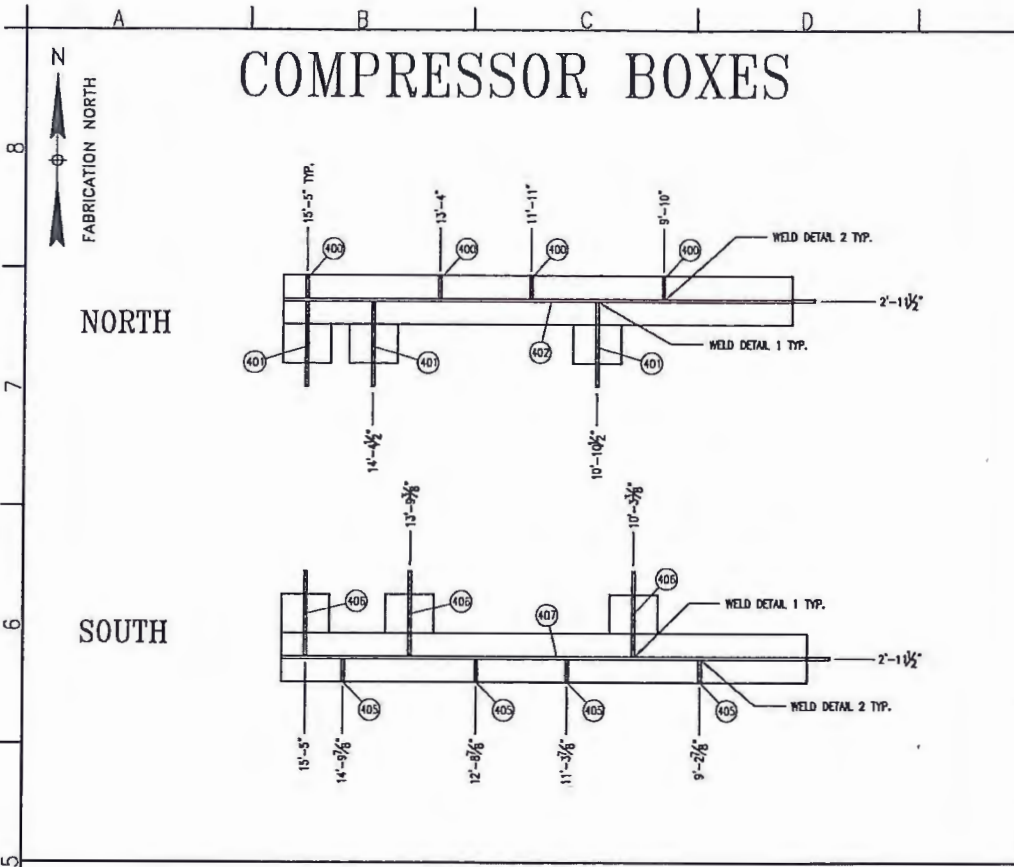
SCRUBBER BOXES

BILL OF MATERIAL - NORTH COMPRESSOR BOX							
WK	QT	ST	P/N	DESCRIPTION	LG	WT	COPE
400	4	0	STL-C704	STEEL, CUT, GUSSET, 24076/24094 WIDE FLANGE, 1/2", 44W/A36, REFER TO BES-405-09	N/A	52.44	44W/A36 0.73
401	3	0	STL-3242	W24X94	1'-3 3/4"	253.30	A572-50 9.16
402	1	0	STL-3242	W24X94	8'-4 1/4"	756.05	A572-50 58.38
TOTAL WEIGHT: 1071.80							

BILL OF MATERIAL - SOUTH COMPRESSOR BOX							
WK	QT	ST	P/N	DESCRIPTION	LG	WT	COPE
405	4	0	STL-C704	STEEL, CUT, GUSSET, 24076/24094 WIDE FLANGE, 1/2", 44W/A36, REFER TO BES-405-09	N/A	52.44	44W/A36 0.73
406	3	0	STL-3242	W24X94	1'-3 3/4"	253.30	A572-50 9.16
407	1	0	STL-3242	W24X94	8'-7 1/4"	789.56	A572-50 60.13
TOTAL WEIGHT: 1095.30							

BILL OF MATERIAL - NORTH SCRUBBER BOX							
WK	QT	ST	P/N	DESCRIPTION	LG	WT	COPE
410	1	0	STL-3242	W24X94	2'-1 1/2"	160.97	A572-50 14.84
411	2	0	STL-3242	W24X94	2'-11"	448.97	A572-50 40.74
412	1	0	STL-3242	W24X94	2'-11 1/16"	274.68	A572-50 20.42
TOTAL WEIGHT: 884.62							

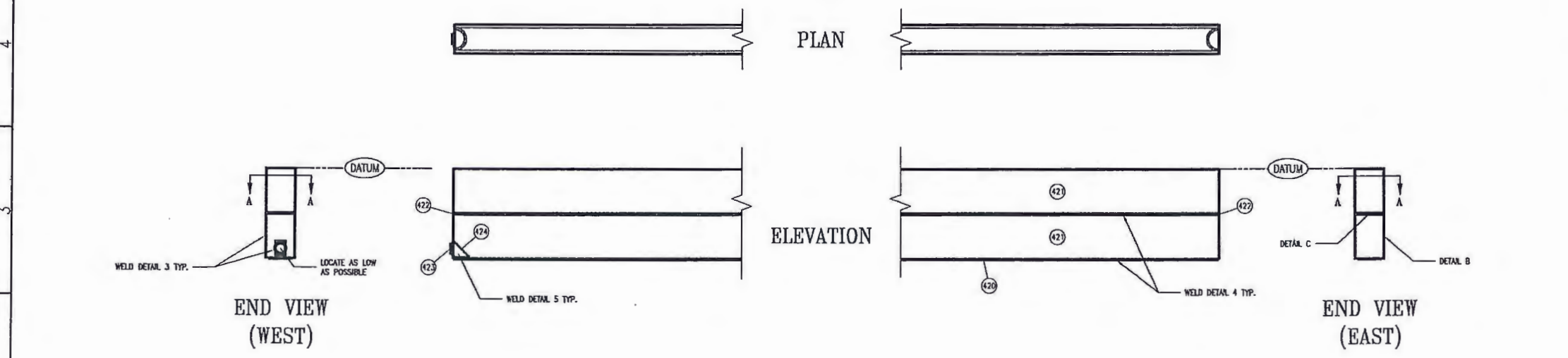
BILL OF MATERIAL - SOUTH SCRUBBER BOX							
WK	QT	ST	P/N	DESCRIPTION	LG	WT	COPE
415	1	0	STL-3242	W24X94	1'-7 1/2"	113.97	A572-50 11.35
416	1	0	STL-3242	W24X94	2'-5 1/16"	227.68	A572-50 16.92
417	2	0	STL-3242	W24X94	3'-9"	827.44	A572-50 52.39
TOTAL WEIGHT: 969.09							



BILL OF MATERIAL - NORTH SKID TANK							
WK	QT	ST	P/N	DESCRIPTION	LG	WT	COPE
420	1	1	STL-0260	FLATBAR 1/4x6	30'-11 1/4"	158.03	44W/A36 32.23
421	2	1	STL-4910	HSS 12x8x0.375	30'-11 1/4"	2953.81	A500-C 397.03
422	2	0	STL-C703	24" SKID SIDE TANK END PLATE (REFER TO DWG# BES-405-18)	N/A	39.14	44W/A36 1.36
423	1	0	TAK-420	2" WELD IN TANK FLANGE	N/A	0.56	-
424	1	0	STLA0022	STEEL ASSEMBLY, SKID, WASTE TANK SYPHON, 3X3X1/4 HSS, A500-C, REFER TO DWG BES-400-740	5'	2.20	A500-C 0.92
TOTAL WEIGHT: 3160.98							

BILL OF MATERIAL - SOUTH SKID TANK							
WK	QT	ST	P/N	DESCRIPTION	LG	WT	COPE
420	1	1	STL-0260	FLATBAR 1/4x6	30'-11 1/4"	158.03	44W/A36 32.23
421	2	1	STL-4910	HSS 12x8x0.375	30'-11 1/4"	2953.81	A500-C 397.03
422	2	0	STL-C703	24" SKID SIDE TANK END PLATE (REFER TO DWG# BES-405-18)	N/A	39.14	44W/A36 1.36
423	1	0	TAK-420	2" WELD IN TANK FLANGE	N/A	0.56	-
424	1	0	STLA0022	STEEL ASSEMBLY, SKID, WASTE TANK SYPHON, 3X3X1/4 HSS, A500-C, REFER TO DWG BES-400-740	5'	2.20	A500-C 0.92
TOTAL WEIGHT: 3160.98							

NORTH/SOUTH WASTE TANKS



SKID FABRICATION NOTES

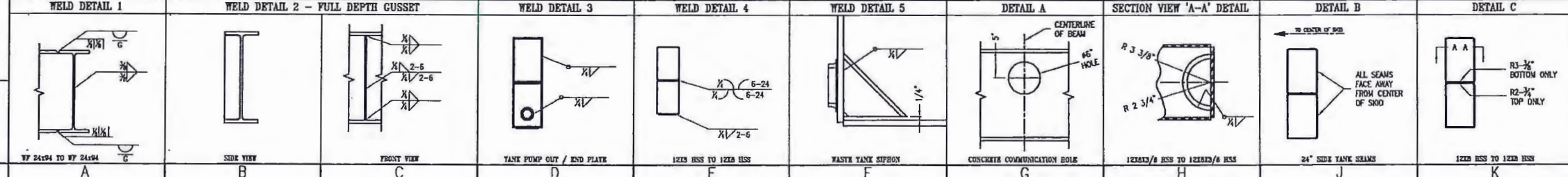
1. ALL DIMS DIMENSIONED TO CENTER-LINE (EXCEPT WHERE OTHERWISE NOTED)
2. ALL TAIL DIMENSIONS FROM MAIN SKID DATUM
3. WELDING TO BE PERFORMED BY CWB QUALIFIED WELDERS ONLY.
4. TANKS TO BE LEAK TESTED WITH SHOP AIR AT 3PSI FOR 15 MIN.

ORIGINAL VENDOR DRAWING
DO NOT MARK UP

K-613

SEP 01 2017

THIRD ANGLE PROJECTION UNLESS OTHERWISE NOTED



UNIT NUMBER	DESCRIPTION
<input type="checkbox"/> 16-980	
<input type="checkbox"/> 16-981	
<input type="checkbox"/> 16-982	
<input type="checkbox"/> 16-983	
<input type="checkbox"/> 16-984	
<input type="checkbox"/> 16-985	
<input type="checkbox"/> 16-986	
<input type="checkbox"/> 16-987	

IFC

ISSUED FOR CONSTRUCTION

2018/11/25

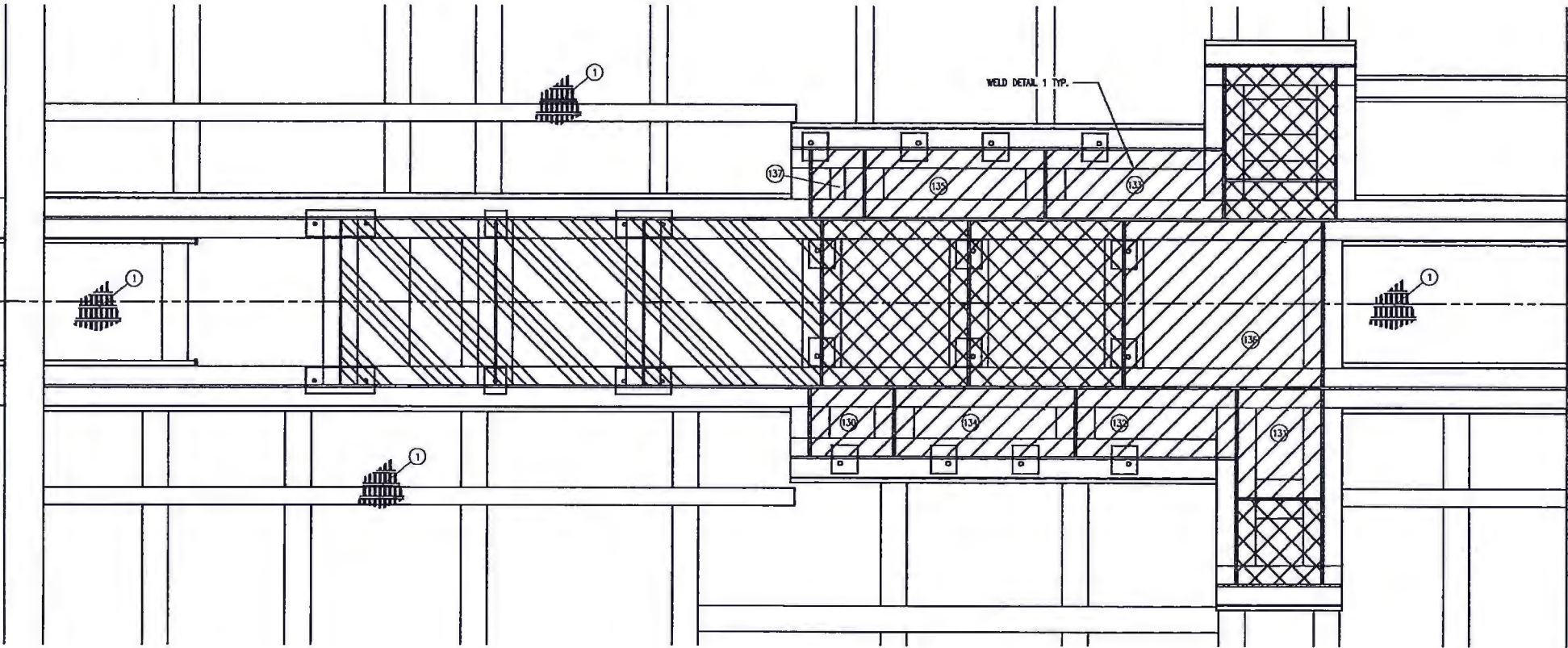
REV	DATE	BY	APP	DESCRIPTION
1	18-11-25	JOP		ISSUED FOR CONSTRUCTION

CUSTOMER: PEYTO EXPLORATION / A DESIGN ENGINEERING
LOCATION: BRADLEY RIVER
JOB NO: 18-12-044-13 NEW
JOB REF: REFER TO DALL

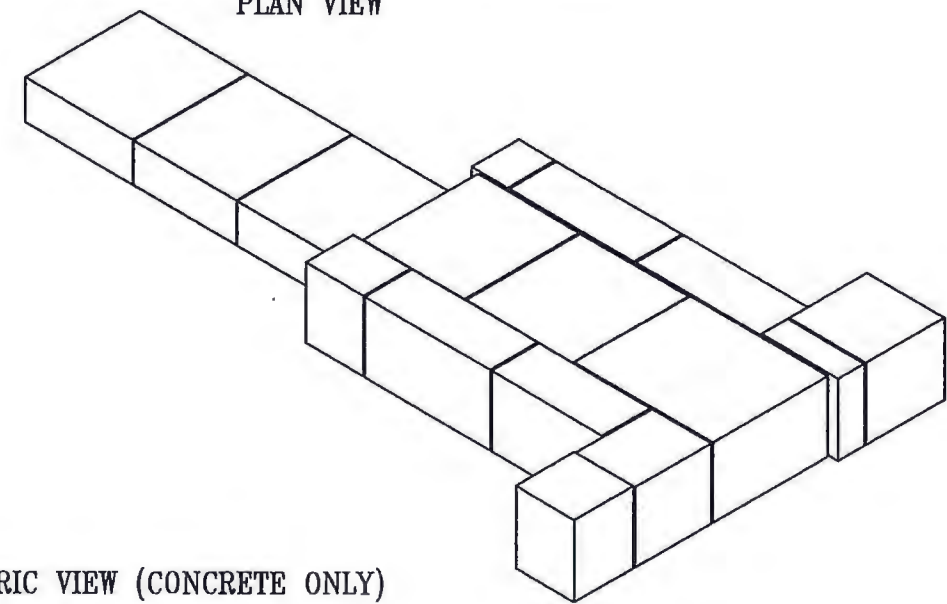
DRAWN: JOP
CHECKED: JOP
SCALE: AS SHOWN
SHEET NO: 16-0171-400

Peyto Explor. & Devel. Corp. #6793

SKID CONCRETE



PLAN VIEW



ISOMETRIC VIEW (CONCRETE ONLY)

BILL OF MATERIAL - GRATING							
MARK	QTY	ST	P/N	DESCRIPTION	LG	WT	COPE
1	AR	0	STL-9010	STEEL BAR GRATING, UN-SERRATED BLACK, 3/16" X1"	490 sq. ft.	3543	-

BILL OF MATERIAL - WELD PLATES (SHIP LOOSE) FROM SHEET 1							
MARK	QTY	ST	P/N	DESCRIPTION	LG	WT	COPE
130	1	0	STL-M38	PLATE 3/8 X 10.5600 X 7.1850	N/A	8.07	44W/A36 0.57
131	1	0	STL-M38	PLATE 3/8 X 16.4350 X 10.9350	N/A	19.11	44W/A36 1.32
132	1	0	STL-M38	PLATE 3/8 X 28.2977 X 7.1850	N/A	21.62	44W/A36 1.50
133	1	0	STL-M38	PLATE 3/8 X 32.4227 X 7.1850	N/A	24.77	44W/A36 1.72
134	1	0	STL-M38	PLATE 3/8 X 32.9350 X 7.1850	N/A	25.16	44W/A36 1.75
135	1	0	STL-M38	PLATE 3/8 X 32.9350 X 7.1850	N/A	25.16	44W/A36 1.75
136	1	0	STL-M38	PLATE 3/8 X 36.9852 X 29.4350	N/A	115.75	44W/A36 7.73
137	1	0	STL-M38	PLATE 3/8 X 7.1850 X 3.4350	N/A	2.62	44W/A36 0.20

TOTAL WEIGHT: 242.25

K-613

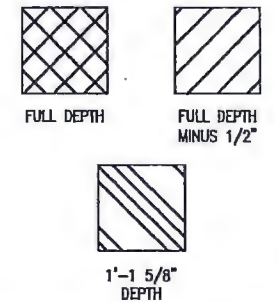
SEP 01 2017

ORIGINAL VENDOR
DRAWING

DO NOT MARK UP

Peyto Explor. & Devel. Corp. #6793

CONCRETE LEGEND



CONCRETE DETAILS

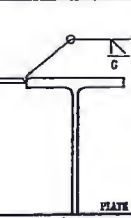
UN#20E05G01
GENERAL MIX
COMPRESSIVE STRENGTH: 20 MPa
ROCK: 14 MM
SLUMP: 20
ARC: NONE
CEMENT: TYPE 10
DENSITY: 149 LB / CUBIC FOOT (2,381 KG / CUBIC METER)

CONCRETE VOLUME: 152.21 CUBIC FEET
4.31 CUBIC METERS

CONCRETE MASS: 22,679 LBS



WELD DETAIL 1



FABRICATION NOTES

1. WELDING TO BE PERFORMED BY CWB QUALIFIED WELDERS ONLY.
2. SHIP FOURS CONCRETE.

UNIT NUMBER

- 16-980
- 16-981
- 16-982
- 16-983
- 16-984
- 16-985
- 16-986
- 16-987

ISSUED FOR CONSTRUCTION

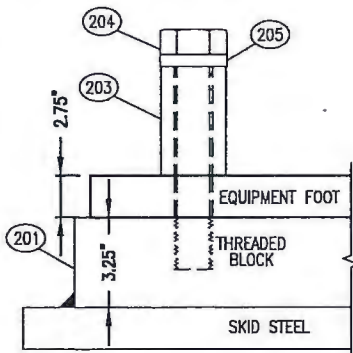
IFC

2016/11/15

DATE	BY	CHKD	APP'D	DESCRIPTION
16-11-15	ORDER FOR CONSTRUCTION

CLIENT: PEYTO EXPLORATION & DEVELOPMENT ENGINEERING	PROJECT: 16-0171-404
LOCATION: BRANSON SPRING	SHEET: 1 OF 1
DATE: 16-11-04-13	JOB: REFER TO SHEET
PAPER SIZE: 36"X48"	SCALE: AS SHOWN

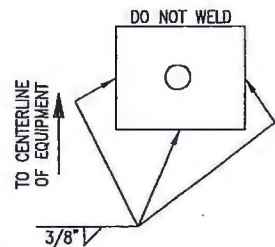
DETAIL A-1



COMPRESSOR FRAME FOOT

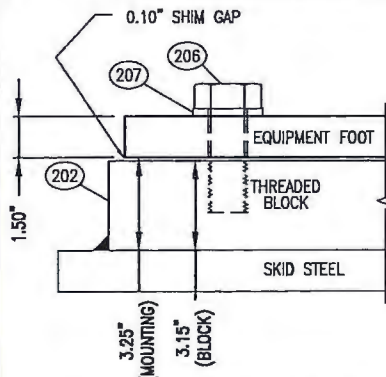
COMPRESSOR FRAME MOUNTING DETAIL (6 PLACES)
BOLT SIZE: 1 1/8"-7 UNC
BOLT STRETCH REQUIRED: 10 1/2"
BOLT TORQUE: 600 FT-LB

DETAIL A-2



COMPRESSOR FRAME FOOT

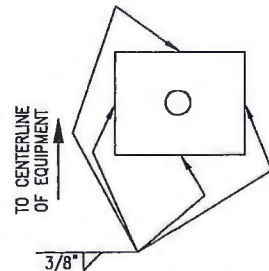
DETAIL B-1



COMPRESSOR DISTANCE PIECE FOOT

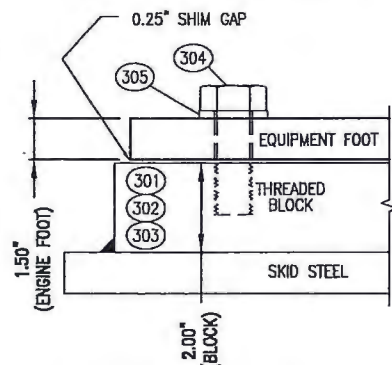
COMPRESSOR DISTANCE PIECE MOUNTING DETAIL (8 PLACES)
BOLT SIZE: 1 1/8"-7 UNC
BOLT STRETCH REQUIRED: NONE
BOLT TORQUE: 600 FT-LB

DETAIL B-2



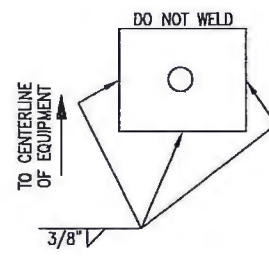
COMPRESSOR DISTANCE PIECE FOOT

DETAIL C-1



ENGINE MOUNTING FOOT

DETAIL C-2



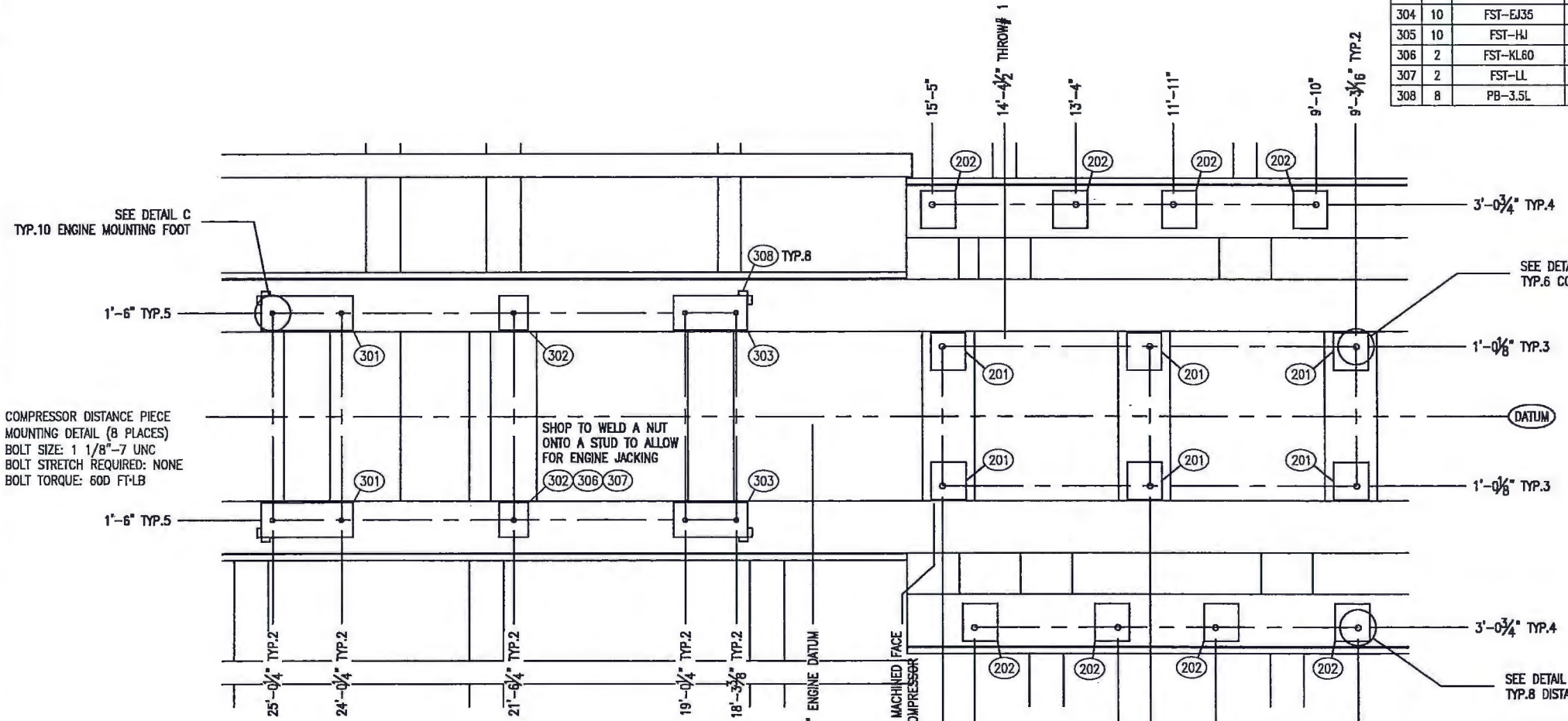
ENGINE MOUNTING FOOT

ENGINE FOOT MOUNTING DETAIL (10 PLACES)
BOLT SIZE: 3/4"-10 UNC
BOLT STRETCH REQUIRED: NONE
BOLT TORQUE: 250 FT-LB

FABRICATION NOTES:
1. ALL TAIL DIMENSIONS FROM MAIN SKID DATUM
2. WELDING TO BE PERFORMED BY CWB QUALIFIED WELDERS ONLY.

BILL OF MATERIALS

MK	QTY	PART NUMBER	DESCRIPTION
201	6	COM-A01-M1	MOUNTING BLOCK, ARIEL, REFER TO STD DWG BES-301-A01-M1
202	8	COM-A01-M1S	MOUNTING BLOCK, ARIEL JGH/JGE/JGK/JGT DISTANCE PIECE, REFER TO BES-301-A01-M1S
203	6	SPACE-1.5DX4.5	SPACER, DOM TUBING, 1-1/4" ID X 2" OD X 4-1/2" LG, AISI 1026 CARBON STEEL, REFER TO 1-1/2" BOLT STRETCH SLEEVE
204	0	FST-EM95	BOLT, GR8 UNC ZP, 1-1/8"x9-1/2" (QTY:6 C/W ITEM# 203)
205	0	FST-HM	WASHER, FLAT, GR8 ZP, 1-1/8" (QTY:6 C/W ITEM# 203)
206	8	FST-EM40	BOLT, GR8 UNC ZP, 1-1/8"x4"
207	8	FST-HM	WASHER, FLAT, GR8 ZP, 1-1/8"
301	2	COM-W01DS-M1	MOUNTING BLOCK, WAUKESHA, FRONT DEEP SUMP AZTEC, REFER TO BES-301-W01DS-M1
302	2	COM-W01DS-M2	MOUNTING BLOCK, WAUKESHA, CENTRE DEEP SUMP AZTEC, REFER TO BES-301-W01DS-M2
303	2	COM-W01DS-M3	MOUNTING BLOCK, WAUKESHA, REAR DEEP SUMP AZTEC, REFER TO BES-301-W01DS-M3
304	10	FST-EJ35	BOLT, GR8 UNC ZP, 3/4"x3-1/2"
305	10	FST-HJ	WASHER, FLAT, GR8 ZP, 3/4"
306	2	FST-KL60	STUD, B7, 1"x6"
307	2	FST-LL	NUT, 2H, 1" M&Z NUT-10
308	8	PB-3.5L	ALIGNMENT BLOCK, REFER TO BES-301-M01



K-613

ORIGINAL VENDOR DRAWING

DO NOT MARK UP

SEP 01 2017

- UNIT NUMBER
- 16-980
 - 16-981
 - 16-982
 - 16-983
 - 16-984
 - 16-985
 - 16-986
 - 16-987

ISSUED FOR CONSTRUCTION

IFC

2016/11/30

WAK SHOP / OFFICE 8900 - 112th AVENUE S.E. CALDWAY, WA 98012 PHONE: (425) 235-5877 FAX: (425) 272-7748				BIDELL GAS COMPRESSION MAJORS MOUNTING DIAGRAM WAUKESHA L5794LT / ARIEL JGK/4 CUSTOMER: PEYTO EXPLORATION c/o DNSTREAM ENGINEERING LOCATION: BRAZEAU RIVER LSD: 06-12-044-13 WSM		APEGA PERMIT NUMBER P08318					
REVISIONS				PAPER SIZE 11"x17"		SCALE NTS		DWG# 16-Q171-225		REV# 0	

Peyto Explor. & Devel. Corp. #6793