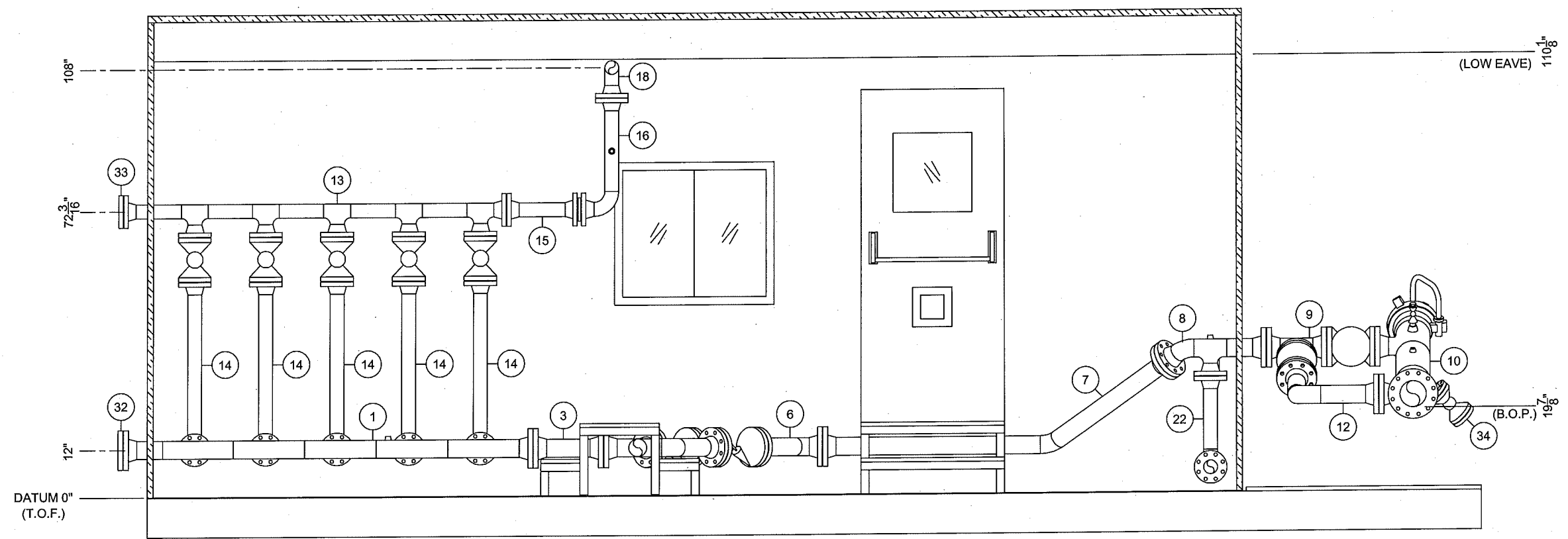


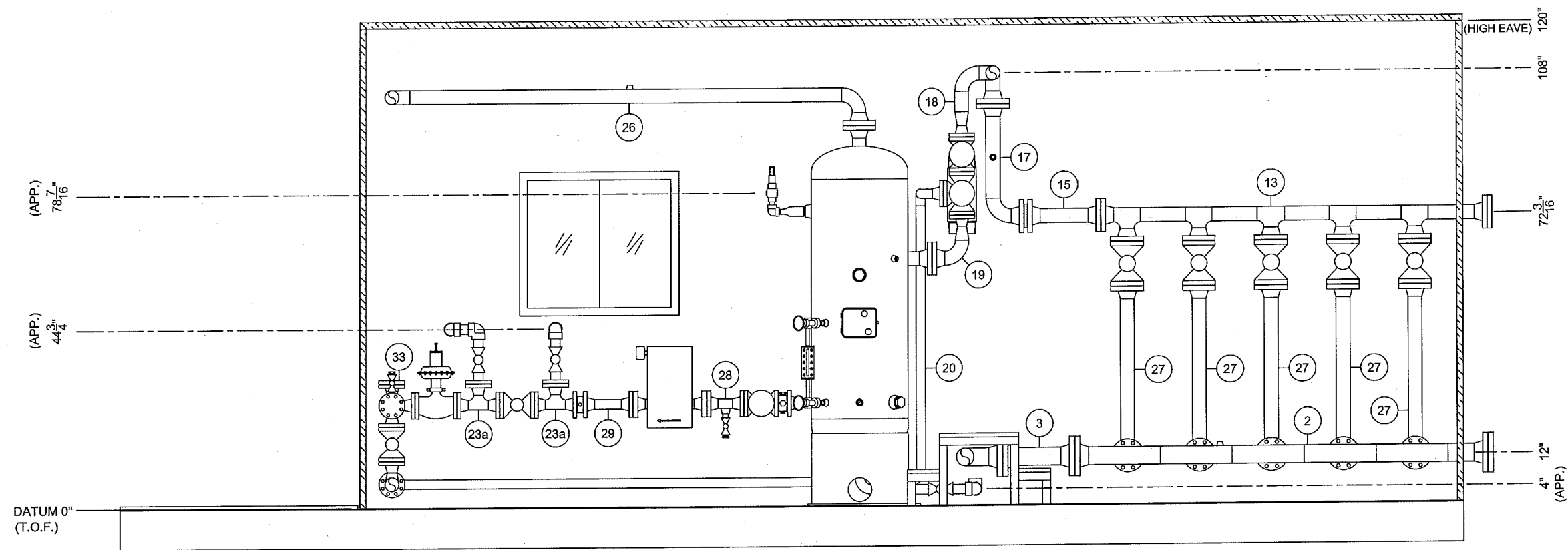
REV.	DATE	DESCRIPTION	BY	CHK'D	APP'D
2	03/15/13	AS-BUILT	DB	WJ	WJ
1	01/29/13	ISSUED FOR REVISED CONSTRUCTION	MC	LW	PC
0	09/14/12	ISSUED FOR CONSTRUCTION	DB	LW	PC



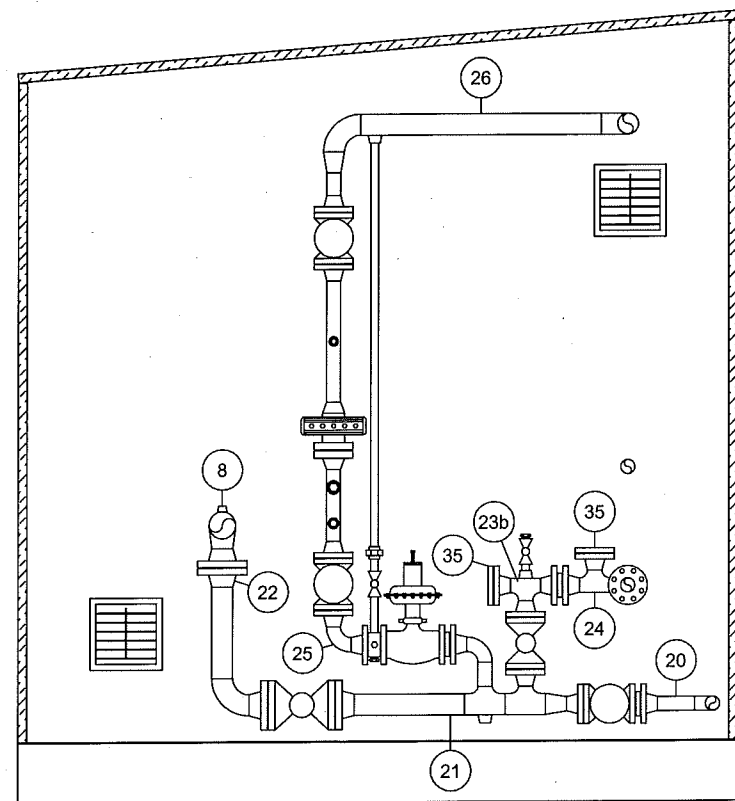
CUSTOMER: <b>PennWest Exploration</b>		TITLE / PROJECT: 3" INLET (10 WELLS) / 4" HEADER 24" OD X 60" S/S X 720 PSI AB SOUR TEST SEPARATOR PKG	
DRAWING NAME: LAYOUT - PLAN VIEW	QUANTITY: 1	PACKAGE SERIAL NO. (S): 12-052-01	
JOB NO. (S): 12-052	DRAWN BY: D. BRYAN	DATE: 09/14/12	
REV. NO.: 2	PAGE NO.: 1 OF 4	SCALE: N.T.S.	DRAWING NO.: 12-052-LAYOUT



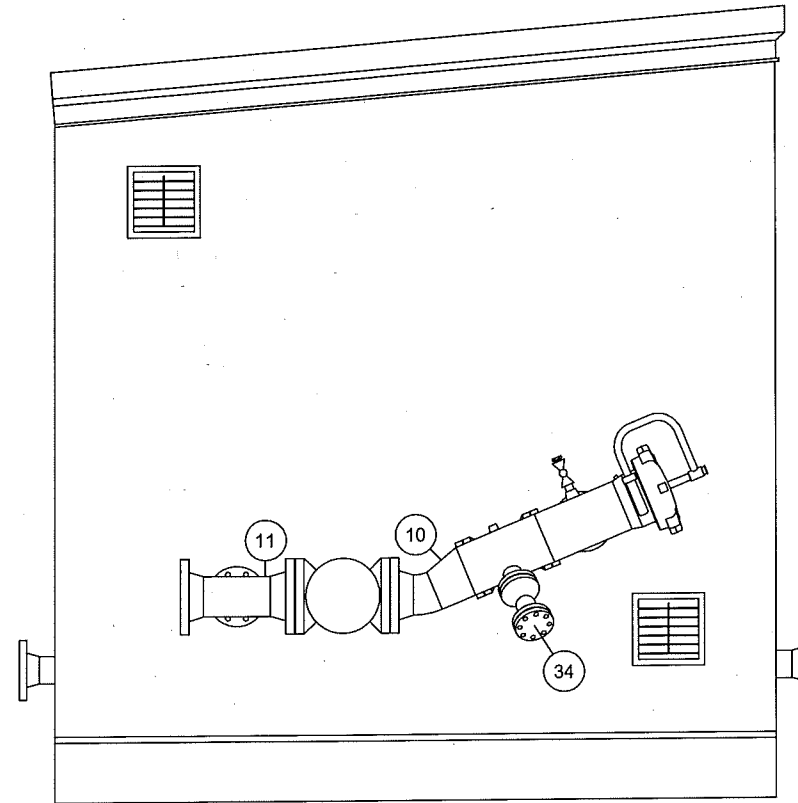
CUSTOMER: <b>PennWest Exploration</b>	TITLE / PROJECT: <b>3" INLET (10 WELLS) / 4" HEADER 24"OD X 60" S/S X 720 PSI AB SOUR TEST SEPARATOR PKG</b>
DRAWING NAME: <b>LAYOUT - SECTION A</b>	QUANTITY: <b>1</b>
JOB NO. (S): <b>12-052</b>	PACKAGE SERIAL NO. (S): <b>12-052-1</b>
REV. NO.: <b>2</b>	DATE: <b>09/14/12</b>
PAGE NO.: <b>2 OF 4</b>	DRAWING NO.: <b>12-052-LAYOUT</b>
SCALE: <b>3/8"=1'-0"</b>	



SECTION 'B'



SECTION 'C'



SECTION 'D'

CUSTOMER: <b>PennWest Exploration</b>		TITLE / PROJECT: <b>3" INLET (10 WELLS) / 4" HEADER 24"OD X 60" S/S X 720 PSI AB SOUR TEST SEPARATOR PKG</b>	
DRAWING NAME: <b>LAYOUT - SECTIONS B, C, D</b>	QUANTITY: <b>1</b>	PACKAGE SERIAL NO. (S) <b>12-052-01</b>	
JOB NO. (S): <b>12-052</b>	DRAWN BY: <b>D. BRYAN</b>	DATE: <b>09/14/12</b>	
REV. NO.: <b>2</b>	PAGE NO.: <b>3 OF 4</b>	SCALE: <b>3/8"=1'-0"</b>	DRAWING NO.: <b>12-052-LAYOUT</b>

