

THE INFORMATION CONTAINED HEREIN IS THE CONFIDENTIAL PROPERTY OF TOROMONT PROCESS SYSTEMS AND IS NOT FOR PUBLICATION, AND NO PART THEREOF SHALL BE COPIED OR COMMUNICATED TO A THIRD PARTY WITHOUT AUTHORIZATION FROM TOROMONT PROCESS SYSTEMS.

SKID GENERAL NOTES:

- LSD: 1-34-32-20 W4M
- ELECTRICAL CLASSIFICATION: CLASS 1, DIV. II, GROUP D
- MINIMUM DESIGN INDOOR TEMPERATURE: 60 DEG.F
- MAXIMUM DESIGN AMBIENT TEMPERATURE: 97 DEG.F
- START GAS CONSUMPTION 1391 SCFM @ 60 PSIG
2028 SCFM @ 90 PSIG
- INSTRUMENT GAS CONSUMPTION: 500 SCFH
- ATMOSPHERIC PRESSURE: 13.4 PSIA
- ELEVATION: 2500 FT. DESIGN
- EXHAUST STACK 1.2 TIMES PEAK HEIGHT

FLUID VOLUMES

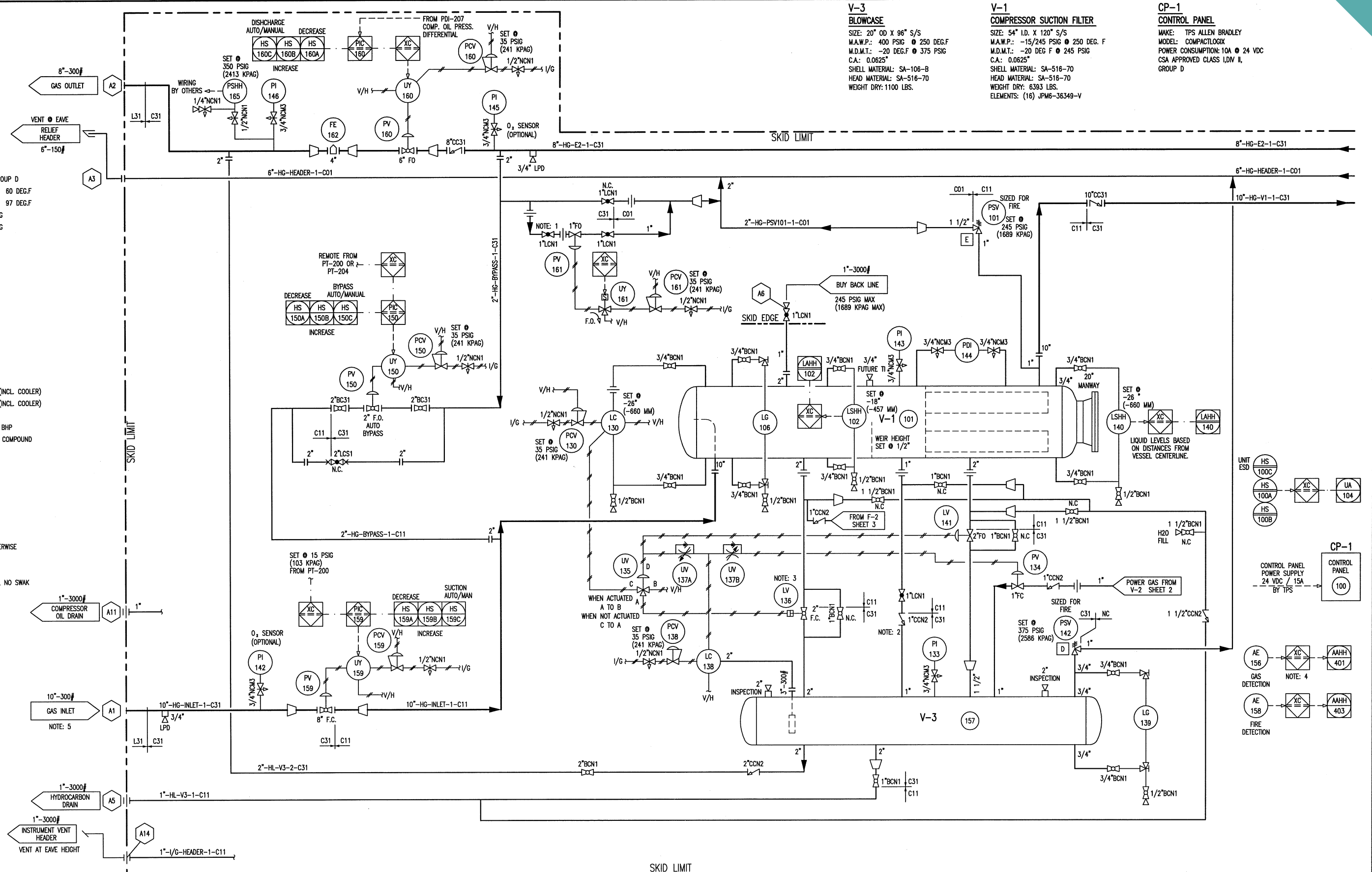
- FLUID VOLUMES BASED ON DAY TANKS 1/2 FULL
- COMPRESSOR SYSTEM OIL CHARGE: 225 USGAL
 - COMPRESSOR OIL TYPE: S5-100
 - ENGINE OIL CHARGE: 112 USGAL ENGINE ONLY
 - ENGINE OIL TYPE: SAE40
 - ENGINE JACKET COOLANT CAPACITY: 180 USGAL (INCL. COOLER)
 - ENGINE TURBO COOLANT CAPACITY: 240 USGAL (INCL. COOLER)
 - ENGINE COOLANT: 50/50 ETHYLENE GLYCOL
 - FUEL GAS CONSUMPTION: 11000 SCFH @ 1340 BHP
 - GEAR BOX OIL TYPE: CHEVRON E.P. ISO 150 GEAR COMPOUND
 - GEAR BOX OIL CAPACITY: 15 USGAL

CUSTOMER INTERFACE

- OUTPUTS TO CUSTOMER:
RUN STATUS CONTACTS

INSTRUMENTATION NOTE:

- ALL TUBING SIZE ON SIZE UNLESS INDICATED OTHERWISE
- MINIMUM 3/8"
- ALL TUBING TO BE 316SS SEAMLESS
- JET LUBE TFE-15 AND TEFLON TAPE TO BE USED, NO SWAK



- NOTE: 1 ADJUST VALVE TO CONTROL BLOWDOWN RATE
 NOTE: 2 INSTALL CHECK AS LOW AS POSSIBLE
 NOTE: 3 LOCATE VALVE AS CLOSE TO BLOWCASE AS POSSIBLE
 NOTE: 4 TUBE CALIBRATION CONNECTION TO OUTSIDE OF BUILDING DISPLAY TO BE LOCATED INSIDE BUILDING
 NOTE: 5 INLET SPOOL UPSTREAM OF PV-159 DESIGNED TO 300# ANSI RATING (740 PSIG)

REV.	DESCRIPTION	DATE	BY	APPR.
2	AS-BUILT	MAR 13/06	RH	
1	ISSUED FOR CONSTRUCTION	OCT 31/05	PN	GM

PERMIT TO PRACTICE STAMP
 ENGINEER STAMP

		TITLE: P & I FLOW DIAGRAM	
DRAWN BY: P. NOBLE CHKD. BY: G. MORRIS APPR. BY: G. MORRIS CUST. PO No:	DATE: OCT 31, 2005 SCALE: NTS W.D. No: 11919101	FOR: HUSKY ENERGY 1150 HP TDSH-355S BOOSTER COMPRESSOR K-600	
DWG. No: 11919-101		SHEET No: 1 OF 4	REV: 2

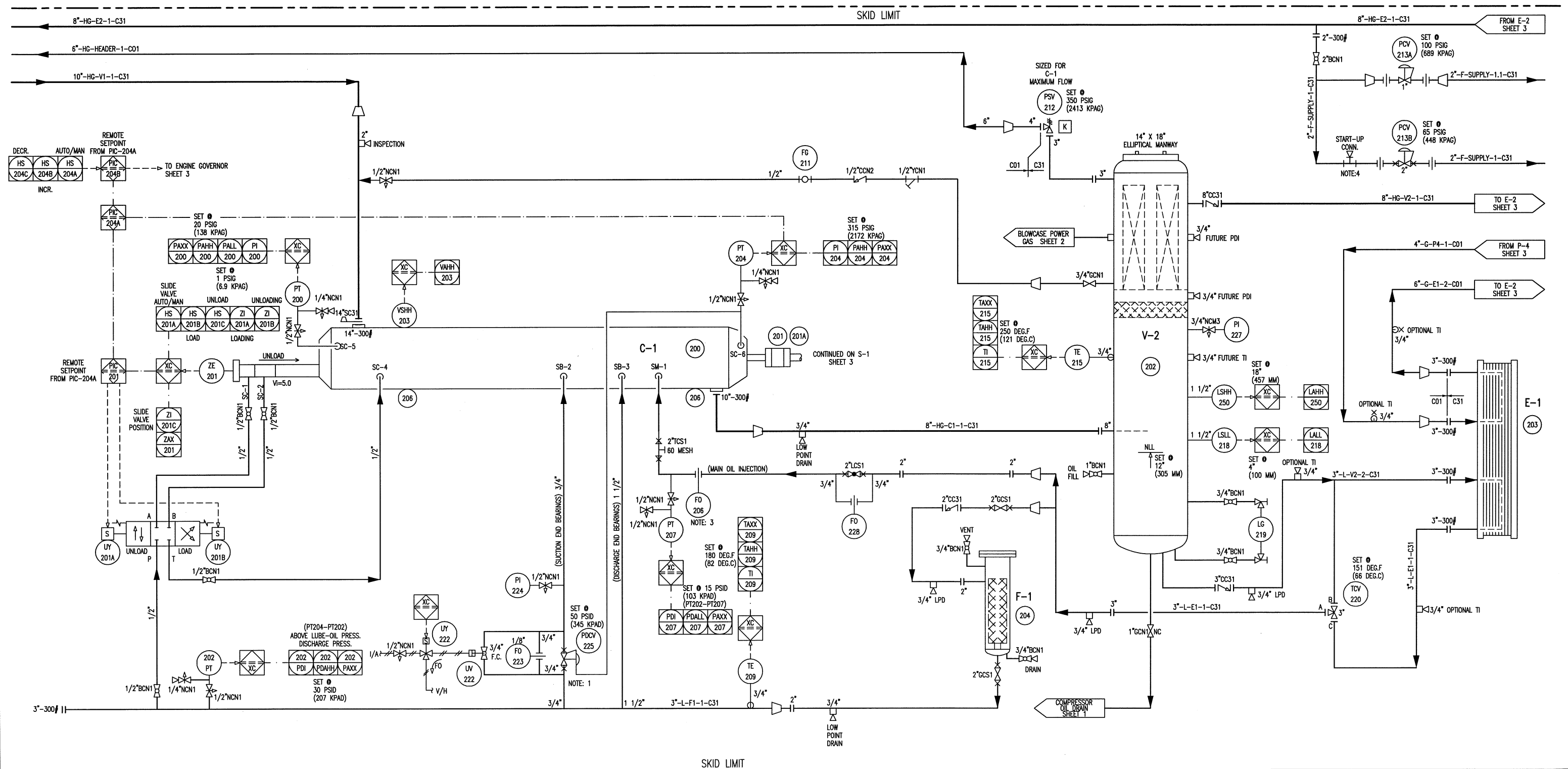
THE INFORMATION CONTAINED HEREIN IS THE CONFIDENTIAL PROPERTY OF TOROMONT PROCESS SYSTEMS AND IS NOT FOR PUBLICATION AND NO PART THEREOF SHALL BE COPIED OR COMMUNICATED TO A THIRD PARTY WITHOUT AUTHORIZATION FROM TOROMONT PROCESS SYSTEMS.

**C-1
GAS COMPRESSOR**
FRICK: TDSH-355S
OPERATING SPEED: 3344 RPM
DESIGN SUCTION PRESSURE: SEE CURVES
DESIGN DISCHARGE PRESSURE: SEE CURVES
OIL TEMPERATURE: 160 DEG F.
POWER DRAW: SEE CURVES
WEIGHT DRY: 7200 LBS

**F-1
OIL FILTER**
SIZE: 8 5/8" O.D. X 26" S/F
MAWP: 400 PSIG @ 250 DEG.F
MDMT: -20 DEG.F @ 400 PSIG
CA: 0.0625"
SHELL MATERIAL: SA-106B
HEAD MATERIAL: SA-516-70
ELEMENT: MODEL 1833C05 5 MICRON
WEIGHT DRY: 275 LBS.

**V-2
OIL SEPARATOR**
SIZE: 48" I.D. X 102" S/S
MAWP: 400 PSIG @ 250 DEG.F
MDMT: -20 DEG.F @ 350 PSIG
CA: 0.0625"
SHELL MATERIAL: SA-516-70
HEAD MATERIAL: SA-516-70
ELEMENT: (7) RSC1175-3
WEIGHT: 6520 LBS.

**E-1
OIL COOLER**
MODEL: VKN-46-SS-FS-1-150
PLATES: 145
MAWP OIL SIDE: 400 PSIG @ 250 DEG.F
MAWP GLYCOL SIDE: 400 PSIG @ 250 DEG.F
DESIGN DUTY: 2566873 BTU/HR
SURFACE AREA: 708 SQ.FT
WEIGHT: 3217 LBS.



NOTE:1 BLOCK INTERNAL PORT ON PDCV-225
NOTE:3 ORIFICE SUPPLIED WITH COMPRESSOR
NOTE:4 START UP TO BE 1 1/2" CONNECTION

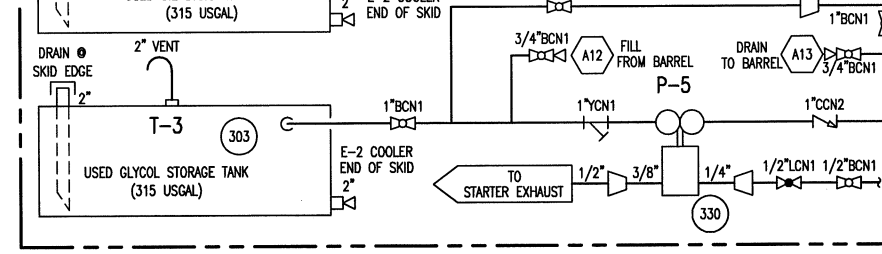
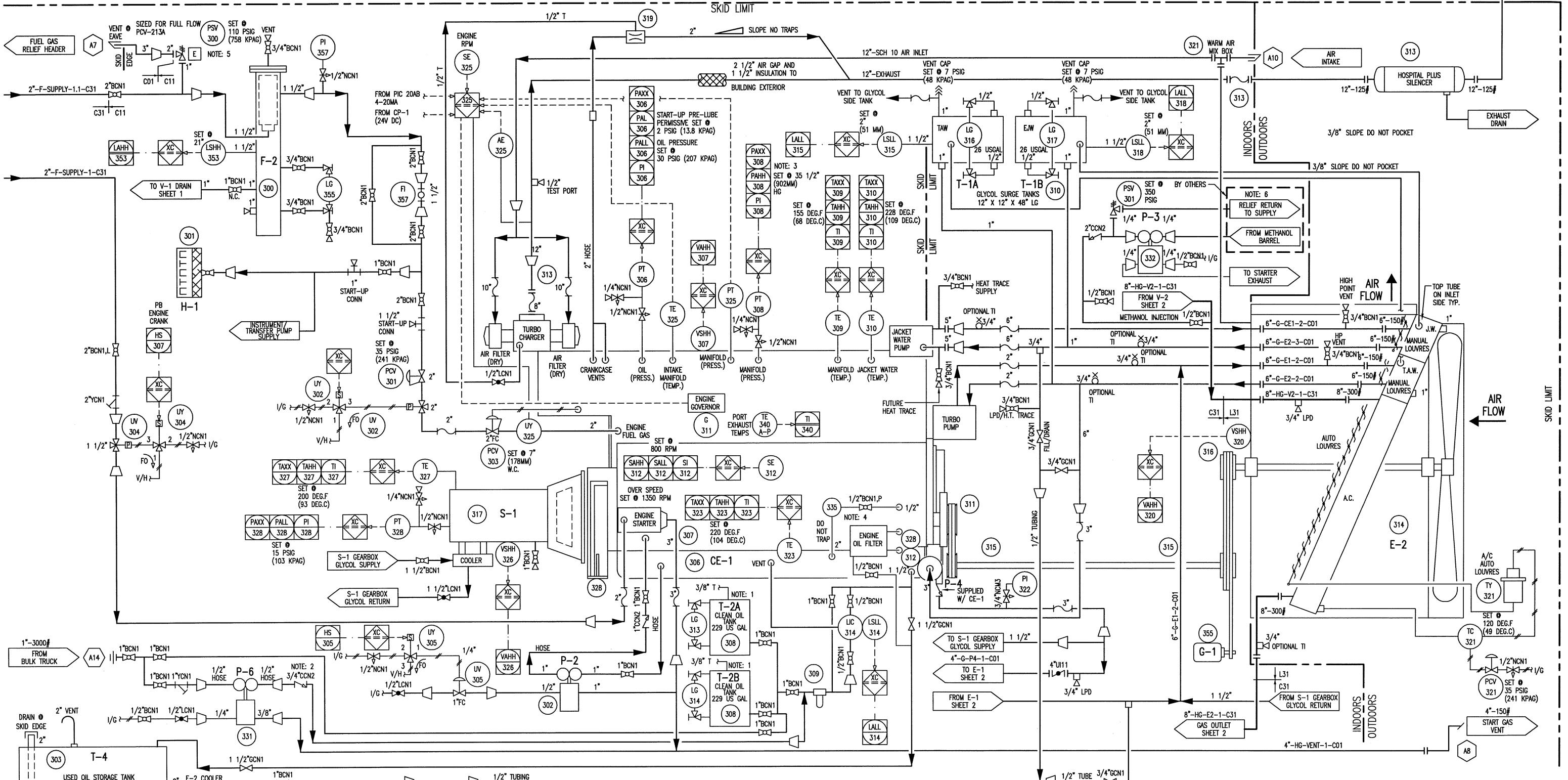
REV.	DESCRIPTION	DATE	BY	APPR.
2	AS-BUILT	MAR 13/06	RH	
1	ISSUED FOR CONSTRUCTION	OCT 31/05	PN	GM

PERMIT TO PRACTICE STAMP
ENGINEER STAMP

		TITLE: P & I FLOW DIAGRAM FOR: HUSKY ENERGY 1150 HP TDSH-355S BOOSTER COMPRESSOR K-600	
DRAWN BY: P. NOBLE CHKD. BY: G. MORRIS APPR. BY: G. MORRIS	DATE: OCT 31, 2005 SCALE: NTS W.O. No: 11919101	DWG. No: 11919-101	SHEET No: 2 OF 4 REV: 2

THE INFORMATION CONTAINED HEREIN IS THE CONFIDENTIAL PROPERTY OF TOROMONT PROCESS SYSTEMS AND IS NOT FOR PUBLICATION, AND NO PART THEREOF SHALL BE COPIED OR COMMUNICATED TO A THIRD PARTY WITHOUT AUTHORIZATION FROM TOROMONT PROCESS SYSTEMS.

- | | | | | | | | | | | |
|---|---|--|---|--|---|---|---|---|---|--|
| H-1 BUILDING HEATER
CATADYNE
MODEL: WX 24 X 48
12 VDC STARTER
OUTPUT: 32000 BTU/HR C/W
PRESSURE REGULATOR
THERMOSTAT AND
SAFETY SHUT OFF
WEIGHT: 100 LBS | F-2 FUEL GAS SCRUBBER
SIZE: 6 5/8" OD X 48 1/2" S/F
MAMP: 245 PSIG @ 250 DEG.F
SHELL MATERIAL: SA-106B
ELEMENT: JENELL JFG-312R
WEIGHT: 290 LBS | P-5 GLYCOL TRANSFER PUMP
MAKE: WARREN RUPP
MODEL: G05B1ABTXNSX00
INLET GAS PRESS: 100 PSIG MAX
FLOW: 5 GPM @ 20 PSIG
FLUID: 50/50 GLYCOL
WEIGHT: 15 LBS | P-6 LUBE OIL TRANSFER PUMP
MAKE: WARREN RUPP
MODEL: G05B1ABTXNSX00
INLET GAS PRESS: 100 PSIG MAX
FLOW: 5 GPM @ 20 PSIG
FLUID: SAE-40 ENGINE OIL
WEIGHT: 15 LBS | S-1 SPEED INCREASER
MAKE: PACIFIC RIM
MODEL: EMPB 0800B-DDI
RATIO: 1: 2.787
INPUT: 1200 RPM
OUTPUT: 3344 RPM
SAE "00" BELLHOUSING
WEIGHT: 3000 LBS | P-2 ENGINE PRE-LUBE PUMP
MAKE: WARREN RUPP
MODEL: G1FB1ABTXNSX00
INLET GAS PRESSURE: 100 PSIG MAX
FLOW: 25 GPM @ 20 PSIG
FLUID: SAE-40 LUBE OIL
WEIGHT: 28 LBS | CE-1 NATURAL GAS ENGINE
TYPE: CATERPILLAR 3516 AFRC
BORE: 6.7"
STROKE: 7.5"
DISPLACEMENT: 4211 CU. IN.
COMPRESSION RATIO: 8 : 1
BHP (RATED): 1150 HP @ 1200 RPM
WEIGHT: 17670 LBS | P-4 GLYCOL CIRCULATION PUMP
MAKE: CATERPILLAR
MODEL: 8NB465
PRESSURE: 40 FT HEAD
FLOW: 200 GPM
FLUID: 50/50 GLYCOL
OPERATING SPEED: 2254 RPM | G-1 GENERATOR
MAKE: MPI
MODEL: HOLLEY
OUTPUT: 60 AMPS
VOLTAGE: 24VDC | E-2 COMPRESSOR AFTERCOOLER/OIL COOLER/GLYCOL COOLER
TYPE: AIR-X CHANGER
MODEL: 144EH-110-22
AFTERCOOLER COIL: 350 PSIG @ 350 DEG.F
MDMT: -20 DEG.F @ 350 PSIG
DUTY: 1122619 Btu/HR
TOTAL AIR FLOW: 200639 scfm
POWER DRAW: 55 HP
DESIGN AMBIENT: 97 DEG.F
WEIGHT: 21050 LBS.
GLYCOL COIL: MAMP: 14 PSIG @ 300 DEG.F
(JACKET WATER) DUTY: 2945789 Btu/HR
GLYCOL COIL: MAMP: 14 PSIG @ 300 DEG.F
(TURBO/OIL COOLER GLYCOL) DUTY: 3799088 Btu/HR | P-3 METHANOL CIRCULATION PUMP
MAKE: TEXTTEAM
MODEL: MX33-1
PRESSURE: 5000 PSIG MAX
FLOW: 121 LPD MAX
FLUID: METHANOL |
|---|---|--|---|--|---|---|---|---|---|--|



- NOTE 1: CLEAN OIL TANKS VENTED TO USED OIL TANK.
 NOTE 2: MOUNT ARRANGEMENT AS CLOSE AS POSSIBLE TO PUMP DISCHARGE.
 NOTE 3: SET POINT DEPENDS ON SITE CONDITIONS
 NOTE 4: SUPPLY SHOULD BE AS CLOSE TO PUMP DISCHARGE AS POSSIBLE, UP STREAM OF OIL FILTERS.
 NOTE 5: OIL RETURN PORT MUST ENTER C.C. ABOVE OIL LEVEL.
 NOTE 6: SYSTEM MAMP IS 245 PSIG, PSV SET @ 110 PSIG.
 RELIEF TO RETURN TO SUPPLY TANK OR INTO SUPPLY LINE UPSTREAM OF ANY ISOLATION VALVES.

REV.	DESCRIPTION	DATE	BY	APPR.
2	AS-BUILT	MAR 13/06	RH	
1	ISSUED FOR CONSTRUCTION	OCT 31/05	PN	GM

PERMIT TO PRACTICE STAMP
 ENGINEER STAMP

		TITLE: P & I FLOW DIAGRAM FOR: HUSKY ENERGY 1150 HP DTDH-355S BOOSTER COMPRESSOR K-600
DRAWN BY: P. NOBLE CHKD. BY: G. MORRIS APPR. BY: G. MORRIS	DATE: OCT 31, 2005 SCALE: NTS W.O. No.: 11919101	SHEET No: 3 OF 4 REV: 2

LINE IDENTIFICATION

A-B-CD-E-FGH-I,J,I

A : NOMINAL LINE SIZE IN INCHES

B : FLUID

- CW COOLING WATER I/A INSTR. AIR SUPPLY
- F FUEL GAS I/G INSTR. GAS SUPPLY
- G GLYCOL L LUBE OIL (COMPRESSOR)
- HG HYDROCARBON GAS V PRODUCED/PROCESS WATER
- HL HYDROCARBON LIQUID

C : EQUIPMENT TYPE

- B BLOWER/FAN H HEATER
- C COMPRESSOR P PUMP
- E EXCHANGER T TANK
- F FILTER V PRESSURE VESSEL

MODIFIER

- E ENGINE
- M MOTOR

D : EQUIPMENT NUMBER: 1 TO 999 SEQUENTIAL NUMBERS

E : LINE NUMBER: 1 TO 9 SEQUENTIAL NUMBERS FROM EQUIPMENT

FGH : PIPING SPECIFICATION

F : MATERIAL GROUP

- C CARBON STEEL
- L LOW TEMP. CARBON STEEL
- S STAINLESS STEEL

G : ANSI 16.5 FLANGE CLASS

- 1 150# 9 900#
- 3 300# 15 1500#
- 6 600# 25 2500#

H : LINE MATERIAL SPECIFICATION REFERENCE: 1 TO 9 SEQUENTIAL NUMBERS

III : MODIFIER / GENERAL

- H PLUS THICKNESS IN INCHES (HOT INSULATION)
- C PLUS THICKNESS IN INCHES (COLD INSULATION)
- PP PLUS THICKNESS IN INCHES (PERSONAL PROTECTION)
- HT PLUS THICKNESS IN INCHES (HEAT TRACING)
- ST STEAM TRACING
- GT GLYCOL TRACING
- ET ELECTRICAL TRACING

EXAMPLE: 3"-HG-V1-2-C11-HT1", ET

- 3" - LINE SIZE
- HG - HYDROCARBON GAS
- V1 - VESSEL
- 2 - SECOND LINE FROM VESSEL
- C11 - CARBON STEEL LINE
- 1 150# ANSI FLANGE RATING
- 1 LINE MATERIAL SPECIFICATION REFERENCE
- HT1" - HEAT TRACING INSULATION 1" THICK
- ET - ELECTRIC TRACING

VALVE IDENTIFICATION

A"BCDE,F

A : NOMINAL VALVE SIZE IN INCHES

B : TYPE

- A ANGLE GLOBE N NEEDLE
- B BALL P PLUG
- C CHECK S START-UP STRAINER
- G GATE T TEE STRAINER
- L GLOBE Y Y-STRAINER
- M MANIFOLD U BUTTERFLY

C : BODY MATERIAL

- B BRONZE L LOW TEMP. CARBON STEEL
- C CARBON STEEL S STAINLESS STEEL
- I CAST IRON

D : END CONNECTIONS

- 1 FLANGED 150# B BUTT WELD
- 3 FLANGED 300# C SW BY NPT
- 6 FLANGED 600# F NPT BY FLANGE (MANIFOLD)
- 9 FLANGED 900# N NPT (THREADED)
- 15 FLANGED 1500# M NPT MALE BY NPT FEMALE
- 25 FLANGED 2500# S SW (SOCKETWELD)
- T TUBE (SWAGELOCK)

E : IDENTIFIER - NUMBER USED TO SPECIFY VALVE REFER TO VALVE DATA SHEETS

F : MODIFIER

- C CHAIN OPERATOR O OXYGEN SERVICE/CLEANING
- E EXTENDED BONNET P FULL PORT DESIGN
- G GEAR OPERATOR R RTJ FLANGED
- L LOCKING DEVICE S SPRING HANDLE (CLOSE)
- N NACE TRIM X SPECIAL SPECIFICATIONS

EXAMPLE: 6"GC11,C

- 6" VALVE SIZE 1 150#
- G GATE 1 API-600
- C CARBON STEEL C CHAIN OPERATOR

CONTROL VALVES

- POSITIONER
- DIAPHRAGM CONTROL VALVE
- MOTOR ACTUATOR
- HYDRAULIC / PNEUMATIC PISTON OPERATED
- OUTLET PRESSURE REGULATOR (SELF-CONTAINED)
- INLET PRESSURE REGULATOR (SELF-CONTAINED)
- VALVE W/ BLEED
- VALVE W/ PLUG
- PRESSURE DIFFERENTIAL CONTROL VALVE (SELF-CONTAINED)
- TWO-WAY SOLENOID VALVE
- PRESSURE SAFETY/RELIEF VALVE
- THREE-WAY SOLENOID VALVE
- DESIGNATES ORIFICE LETTER (SIZE)

MISCELLANEOUS

- FLEXIBLE CONNECTION
- SPECTACLE BLIND (LINE OPEN)
- SPECTACLE BLIND (LINE CLOSED)
- FLOW GLASS
- RUPTURE DISC FOR PRESSURE RELIEF
- RUPTURE DISC FOR VACUUM RELIEF
- VORTEX BREAKER
- DIAPHRAGM SEAL
- CONTINUOUS LIQUID DRAINER OR STEAM TRAP
- SKID TIE-POINTS
- OPEN DRAIN
- INSULATION - (C) COLD (H) HOT (HT) HEAT TRACING (PP) PERSONAL PROTECTION
- ELECTRIC HEAT TRACE
- STEAM OR GLYCOL HEAT TRACE

VALVES

- ANGLE GLOBE VALVE
- BALL VALVE
- BUTTERFLY VALVE
- CHECK VALVE
- GATE VALVE
- GLOBE VALVE
- NEEDLE VALVE
- PLUG VALVE
- 3-WAY VALVE
- 4-WAY VALVE
- START-UP STRAINER
- TEE STRAINER
- Y-STRAINER

VALVE CONNECTIONS

- THREADED
- WELDED (BUTT OR SOCKET)
- THREADED BY WELDED
- FLANGED

	(MODIFIER)	INSTRUMENT IDENTIFICATION GENERAL REFERENCE (ISA - S5.1)														
		FIRST LETTER	SUCCEEDING LETTERS	PRIMARY ELEMENT	INDICATOR	RECORDER	CONTROLLER			TRANS-MITTER	CONTROL		CONTROL VALVE OR REGULATOR	SELF-ACTIVATED VALVE	RELAY OR CONVERTER	
							BLIND	INDICATING	RECORDING			SWITCH	ALARM			
A	ANALYSIS	ALARM	AE	AI	AR	AC	AIC	ARC	AT	AS()	AA()	AV				
B	BURNER FLAME	USER'S CHOICE	BE	BI	BR	BC			BT	BS()	BA()	BV				
C	CONDUCTIVITY	CONTROL (CLOSE)	CE	CI	CR	CC	CIC	CRC	CT	CS()	CA()	CV				
D	DENSITY OR MASS (DIFFERENTIAL)		DE	DI	DR	DC	DIC	DRC	DT	DS()	DA()	DV				
E	VOLTAGE	PRIMARY ELEMENT	EE	EI	ER	EC	EIC	ERC	ET	ES()	EA()	EV				
F	FLOW (RATIO OR FRACTION)	SHUTDOWN FIRST OUT	FE	FI	FR	FC	FIC	FRC	FT	FS()	FA()	FV	FCV	FY		
G	GAUGING	GLASS	GE	GI	GR	GC	GIC	GRC	GT	GS()	GA()	GV				
H	HAND	(HIGH)				HC	HIC	HRC	HT	HS()		HV	HCV	HY		
I	CURRENT	INDICATE	IE	II	IR	IC	IIC	IRC	IT	IS()	IA()			IY		
J	POWER (SCAN)		JE	JI	JR	JC	JIC	JRC	JT	JS()	JA()			JY		
K	TIME	CONTROL STATION		KI	KR	KC	KIC	KRC	KT	KS()	KA()			KY		
L	LEVEL	LIGHT (LOW)	LE	LI	LR	LC	LIC	LRC	LT	LS()	LA()	LV	LCV	LY		
M	MOISTURE, HUMIDITY	(MIDDLE OR INTERMEDIATE)	ME	MI	MR	MC	MIC	MRC	MT	MS()	MA()	MV		MY		
N	USER'S CHOICE															
O	POINT	ORIFICE (OPEN)														
P	PRESSURE OR VACUUM	POINT	PE	PI	PR	PC	PIC	PRC	PT	PS()	PA()	PV	PCV	PY		
Q	QUANTITY OR EVENT (INTEGRATE/TOTALIZE)			QI	QR	QC	QIC	QRC	QT	QS()	QA()	QV		QY		
R	RADIOACTIVITY	RECORD OR PRINT	RE	RI	RR	RC	RIC	RRC	RT	RS()	RA()			RY		
S	SPEED OR FREQUENCY	SWITCH		SI	SR	SC	SIC	SRC	ST	SS()	SA()			SY		
T	TEMPERATURE	TRANSMIT	TE	TI	TR	TC	TIC	TRC	TT	TS()	TA()	TV	TCV	TY		
U	MULTI-VARIABLE	MULTIFUNCTION		UI	UR	UC	UIC	URC				UV		UY		
V	VIBRATION	VALVE OR DAMPER	VE	VI	VR	VC	VIC	VRC	VT	VS()	VA()	VW		VY		
W	WEIGHT OR FORCE	WELL	WE	WI	WR	WC	WIC	WRC	WT	WS()	WA()	WV		WY		
X	UNCLASSIFIED	UNCLASSIFIED (DIAGNOSTIC)	XE	XI	XR	XC	XIC	XRC	XT	XS()	XA()	XV		XY		
Y	USER'S CHOICE	RELAY OR COMPUTE												YY		
Z	POSITION	DRIVE OR ACTUATE	ZE	ZI	ZR	ZC	ZIC	ZRC	ZT	ZS()	ZA()			ZY		

- (C) -CLOSE (O) -OPEN
- (H) -HIGH ALARM (L) -LOW ALARM
- (HH) -HIGH SHUTDOWN (LL) -LOW SHUTDOWN
- (XX) -DIAGNOSTIC SHUTDOWN (USED TO INDICATE THE DIAGNOSTIC CHECK REQ'D ON THE ANALOG INPUT)

INSTRUMENTS

- THERMOWELL (THREADED)
- THERMOWELL (WELDED)
- LOCAL MOUNTED
- LOCAL PANEL MOUNTED
- MOUNTED BEHIND OR IN LOCAL PANEL
- MAIN PANEL MOUNTED
- MOUNTED BEHIND OR IN MAIN PANEL
- MAN / MACHINE INTERFACE IN MAIN PANEL
- PILOT LIGHT
- RELAY OR CONVERTER
- PROGRAMMABLE LOGIC CONTROLLER (PLC)
- INTERLOCK
- ELECTRICAL (HARD WIRE) INTERLOCK

DESIGNATION: SIGNAL:

- E VOLTAGE
- H HYDRAULIC
- I CURRENT (ELECTRICAL)
- O ELECTROMAGNETIC OR SONIC
- P PNEUMATIC
- R RESISTANCE (ELECTRICAL)

THE ABOVE IDENTIFICATION NUMBER WILL BE USED TO REFERENCE THE CONTROL PANELS.

X = PLC NUMBER
Y = PLC RACK NUMBER

ABBREVIATIONS

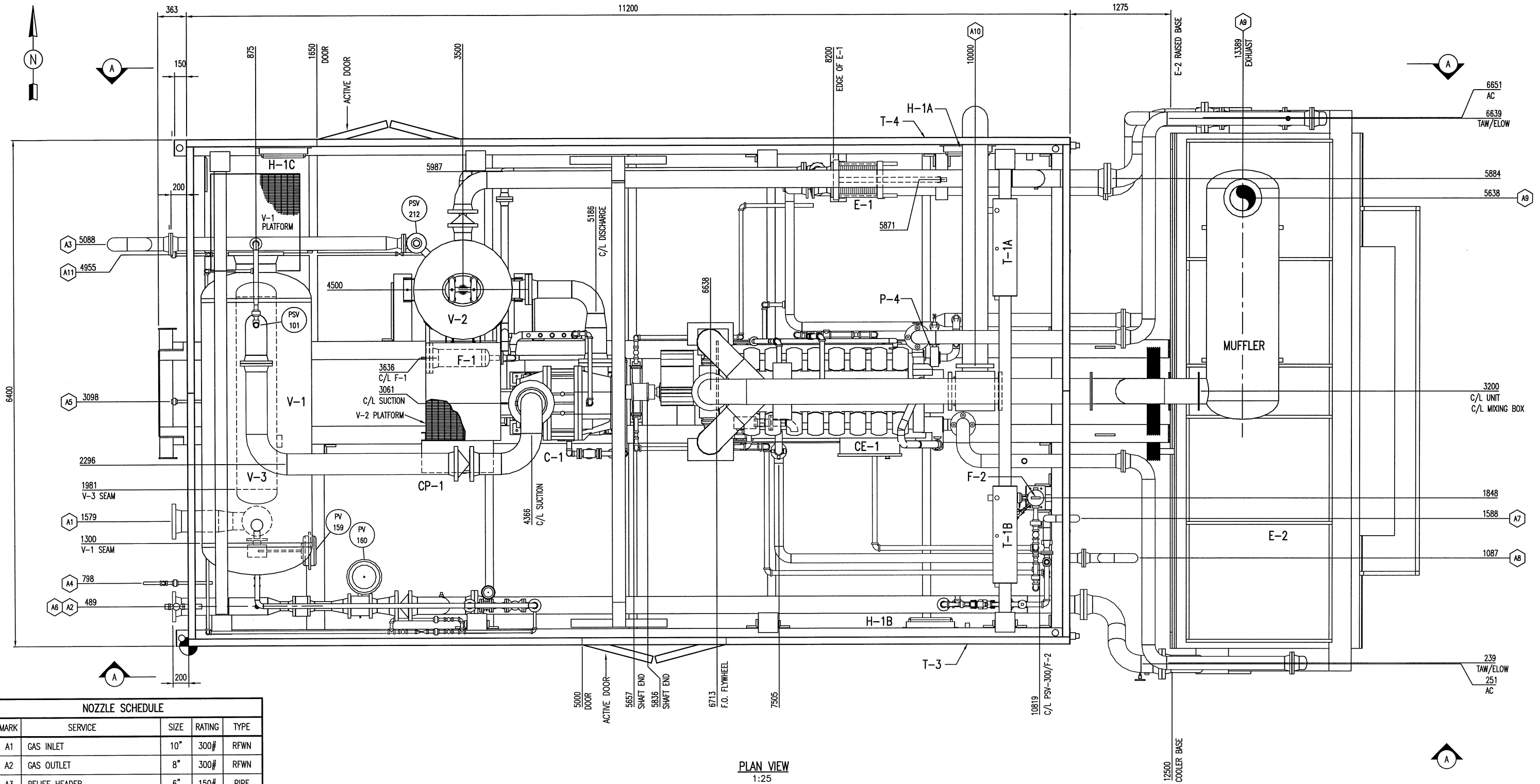
- AOUT AUTOMATIC OUTPUT
- CA CORROSION ALLOWANCE
- CHO CHAIN OPERATED
- CUST CUSTOMER
- DIR DIRECT ACTING
- DB DEADBAND
- Δ DELTA (DIFFERENTIAL)
- ESD EMERGENCY SHUTDOWN
- FC FAIL CLOSED
- FO FAIL OPEN
- FLP FAIL LAST POSITION
- GAIN GAIN
- HI HIGH
- HS HAND SWITCH
- HTR HEATER
- I/A INSTRUMENT AIR SUPPLY
- I/G INSTRUMENT GAS SUPPLY
- I/O INPUT / OUPUT
- LB/HR POUNDS PER HOUR
- FT3/DAY CUBIC FEET PER DAY
- FT3/HR CUBIC FEET PER HOUR
- FT3/MIN CUBIC FEET PER MINUTE
- LC LOCKED CLOSED
- LO LOCKED OPEN
- MAX MAXIMUM
- MAWP MAXIMUM ALLOWABLE WORKING PRESSURE
- MDMT MINIMUM DESIGN METAL TEMPERATURE
- MIN MINIMUM
- MCC MOTOR CONTROL CENTER
- MOUT MANUAL OUTPUT
- MS MOTOR STARTER
- NC NORMALLY CLOSED
- NLL NORMAL LIQUID LEVEL
- NO NORMALLY OPEN
- MMI MAN / MACHINE INTERFACE
- PB PUSH BUTTON
- PL PILOT LIGHT
- PLC PROGRAMMABLE LOGIC CONTROLLER
- REV REVERSE ACTING
- RST RESET (INTEGRAL)
- SCR SILICON CONTROLLED RECTIFIER
- S/F SEAM TO FACE OF FLANGE
- SP SETPOINT
- SPC CALCULATED SETPOINT
- SS SELECTOR SWITCH
- S/S SEAM TO SEAM
- T/T TANGENT TO TANGENT
- TS/TS TUBESHEET TO TUBESHEET
- T/L TUBE LENGTH
- V/H VENT HEADER

GENERAL NOTES

1. TUBING TO BE 304SS, SEAMLESS. 0.035" WALL THICKNESS, CADMIUM PLATED CARBON STEEL FITTINGS WITH STAINLESS STEEL FERRULES.
2. ALL TEMPERATURE INSTRUMENTS TO BE PROVIDED WITH A THERMOWELL.

		TITLE: P & I FLOW DIAGRAM	
DRAWN BY: P. NOBLE DATE: OCT 31, 2005	DATE: OCT 31, 2005 SCALE: NTS	FOR: HUSKY ENERGY 1150 HP TDSH-355S BOOSTER COMPRESSOR K-600	
APPR. BY: G. MORRIS W.D. No: 11919101	CUST. PO No:	DWG. No: 11919-101	SHEET No: 4 OF 4
REV. 2 AS-BUILT 1 ISSUED FOR CONSTRUCTION	DATE: MAR 13/06 OCT 31/05	BY: RH PN GM	APPR.

THE INFORMATION CONTAINED HEREIN IS THE CONFIDENTIAL PROPERTY OF TOROMONT PROCESS SYSTEMS AND IS NOT FOR PUBLICATION, AND NO PART THEREOF SHALL BE COPIED OR COMMUNICATED TO A THIRD PARTY WITHOUT AUTHORIZATION FROM TOROMONT PROCESS SYSTEMS.



PLAN VIEW
1:25

NOZZLE SCHEDULE				
MARK	SERVICE	SIZE	RATING	TYPE
A1	GAS INLET	10"	300#	RFWN
A2	GAS OUTLET	8"	300#	RFWN
A3	RELIEF HEADER	6"	150#	PIPE
A4	INSTRUMENT GAS VENT	1"	3000#	PIPE
A5	HYDROCARBON DRAIN	1"	3000#	UNION
A6	BUY BACK LINE	1"	3000#	NPT
A7	FUEL GAS RELIEF HEADER	3"	-	PIPE
A8	START GAS VENT	4"	-	PIPE
A9	EXHAUST	12"	-	PIPE
A10	AIR INTAKE	12"	-	PIPE
A11	COMPRESSOR OIL DRAIN	1"	3000#	UNION
A12	GLYCOL FILL FROM BARREL (NOTE 7)	3/4"	3000#	NPT
A13	GLYCOL DRAIN TO BARREL (NOTE 7)	3/4"	3000#	NPT
A14	ENGINE FILL FROM TRUCK (NOTE 7)	1"	3000#	NPT

GENERAL NOTES:

- ALL TAIL DIMENSIONS FROM REFERENCE POINT.
- SKID SHIPPING LENGTH: 12860 MM
SKID SHIPPING WIDTH: 6960 MM
SKID SHIPPING HEIGHT: 6500 MM
E-2 SHIPPING LENGTH: 7895 MM
E-2 SHIPPING WIDTH: 3505 MM
E-2 SHIPPING HEIGHT: 4706 MM
- WEIGHTS:
MAIN SKID (DRY) 60,000 KGS
MAIN SKID (SHIPPING) 61,435 KGS
SHIPPED LOOSE 11,365 KGS
TOTAL WEIGHT (OPERATING) 72,800 KGS
- OVERALL SKID DEPTH: 610 MM
- NOZZLE ELEVATIONS ARE FROM CENTERLINE OF PIPE TO TOP OF BASE (REFERENCE POINT).
- (*) DENOTES ELEVATION FROM FACE OF FLANGE TO TOP OF BASE (REFERENCE POINT).
- GLYCOL AND ENGINE OIL FILL/DRAINS LOCATED BY SHOP INSIDE OF BUILDING.

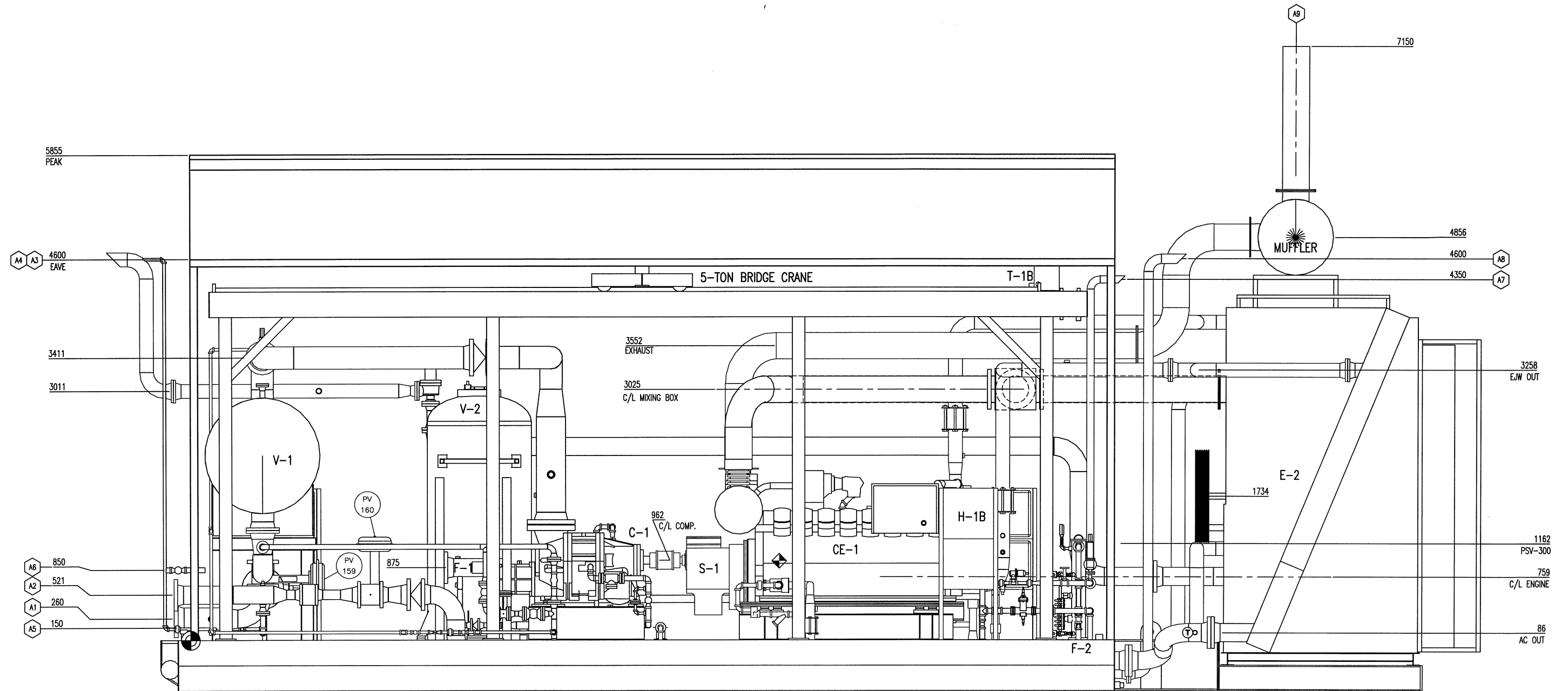
REV.	DESCRIPTION	DATE	BY	APPR.
2	AS-BUILT	MAR 13/06	RH	DR
1	ISSUED FOR CONSTRUCTION	OCT 31/05	PN	GM

PERMIT TO PRACTICE STAMP	ENGINEER STAMP
--------------------------	----------------

TOROMONT	TOROMONT PROCESS SYSTEMS
DRAWN BY: P. NOBLE	DATE: OCT. 31, 2005
CHKD. BY: G. MORRIS	SCALE: 1:25
APPR. BY: D. ROUSSEAU	W.O. No: 11919201
CUST. PO No:	

TITLE: GENERAL ARRANGEMENT
FOR: HUSKY ENERGY 1150 HP TDSH-355S BOOSTER COMPRESSOR K-600
DWG. No: 11919-201
SHEET No: 1 OF 4
REV: 2

THE INFORMATION CONTAINED HEREIN IS THE CONFIDENTIAL PROPERTY OF TOROMONT PROCESS SYSTEMS AND IS NOT FOR PUBLICATION, AND NO PART THEREOF SHALL BE COPIED OR COMMUNICATED TO A THIRD PARTY WITHOUT AUTHORIZATION FROM TOROMONT PROCESS SYSTEMS.



ELEVATION 'A-A'
1:25

REV.	DESCRIPTION	DATE	BY	APPR.
2	AS-BUILT	MAR 13/06	RH	DR
1	ISSUED FOR CONSTRUCTION	OCT 31/05	PN	GM

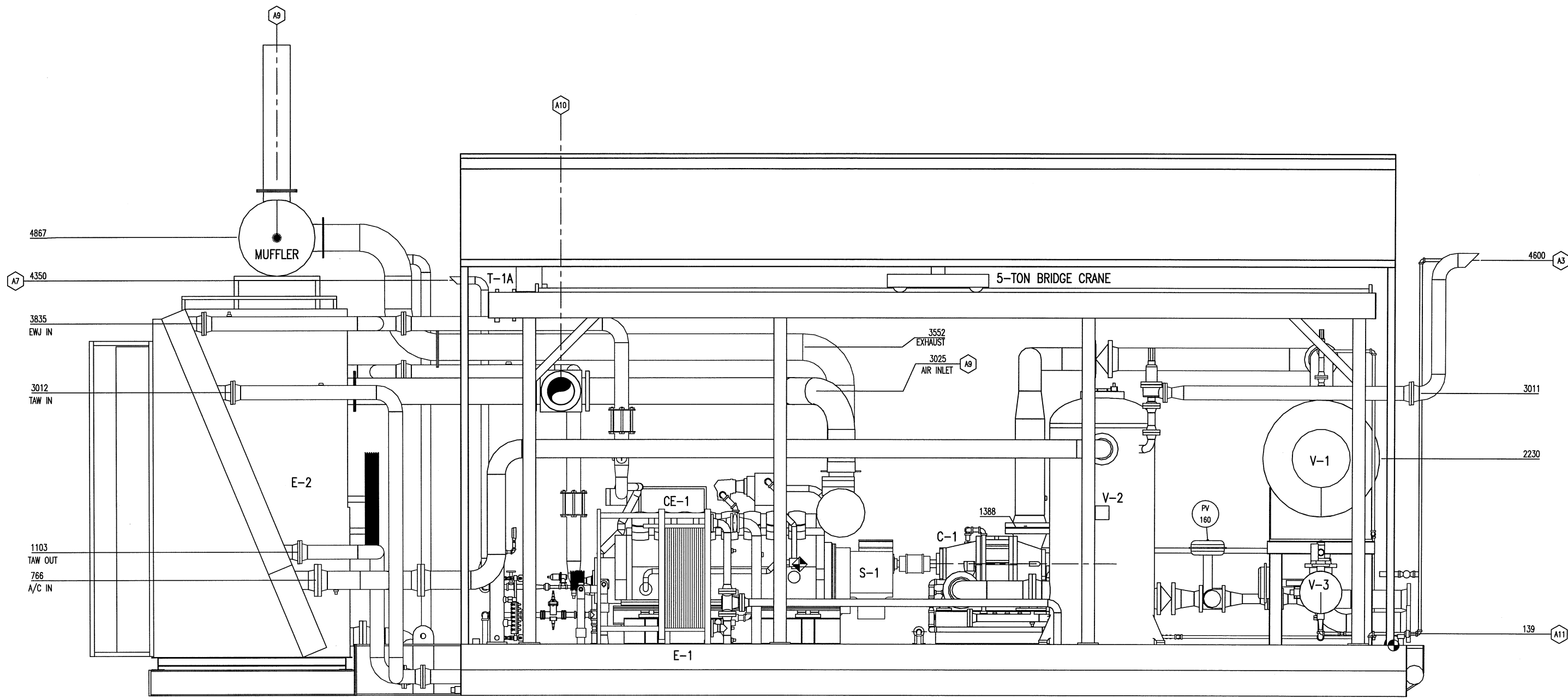
PERMIT TO PRACTICE STAMP

ENGINEER STAMP

TOROMONT TOROMONT PROCESS SYSTEMS	
DRAWN BY: P. NOBLE	DATE: OCT 31, 2005
CHKD. BY: G. MORRIS	SCALE: 1:25
APPR. BY: D. ROUSSEAU	W.O. No: 11919201
CUST. PO No: -	

TITLE: ELEVATION 'A-A'	FOR: HUSKY ENERGY 1150 HP TDSH-3555 BOOSTER COMPRESSOR K-600
DWG. No: 11919-201	SHEET No: 2 OF 4
REV: 2	

THE INFORMATION CONTAINED HEREIN IS THE CONFIDENTIAL PROPERTY OF TOROMONT PROCESS SYSTEMS AND IS NOT FOR PUBLICATION, AND NO PART THEREOF SHALL BE COPIED OR COMMUNICATED TO A THIRD PARTY WITHOUT AUTHORIZATION FROM TOROMONT PROCESS SYSTEMS.



ELEVATION 'B-B'
1:25

REV.	DESCRIPTION	DATE	BY	APPR.
2	AS-BUILT	MAR 13/06	RH	DR
1	ISSUED FOR CONSTRUCTION	OCT 31/05	PN	GM

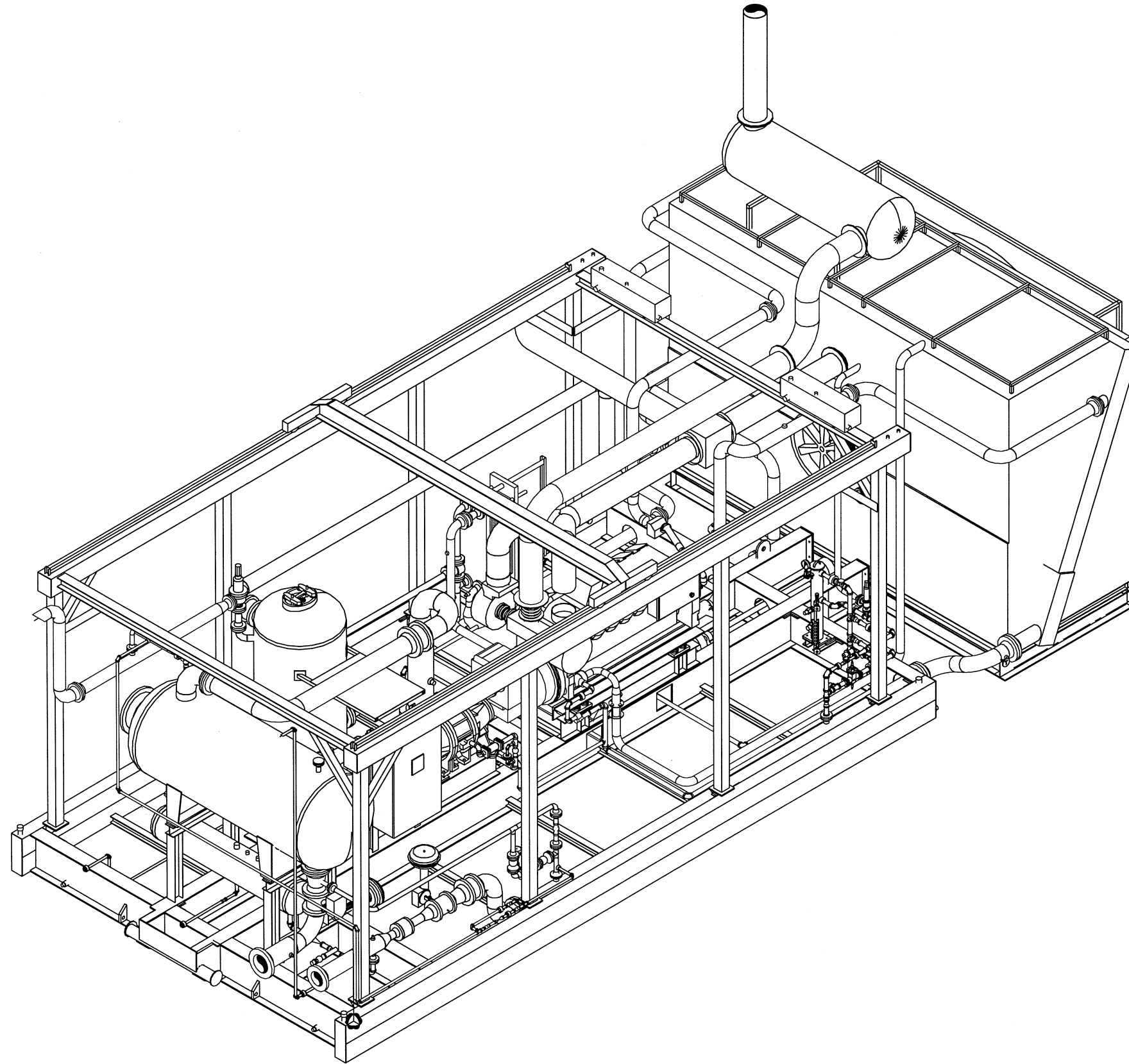
PERMIT TO PRACTICE STAMP

ENGINEER STAMP

TOROMONT TOROMONT PROCESS SYSTEMS	
DRAWN BY: P. NOBLE	DATE: OCT 31, 2005
CHKD. BY: G. MORRIS	SCALE: 1:25
APPR. BY: D. ROUSSEAU	W.O. No: 11919201
CUST. PO No: -	

TITLE: ELEVATION 'B-B'
FOR: HUSKY ENERGY 1150 HP TDSh-355S BOOSTER COMPRESSOR K-600
DWG. No: 11919-201
SHEET No: 3 OF 4
REV: 2

THE INFORMATION CONTAINED HEREIN IS THE CONFIDENTIAL PROPERTY OF TOROMONT PROCESS SYSTEMS AND IS NOT FOR PUBLICATION, AND NO PART THEREOF SHALL BE COPIED OR COMMUNICATED TO A THIRD PARTY WITHOUT AUTHORIZATION FROM TOROMONT PROCESS SYSTEMS.



REV.	DESCRIPTION	DATE	BY	APPR.
2	AS-BUILT	MAR 13/06	RH	DR
1	ISSUED FOR CONSTRUCTION	OCT 31/05	PN	GM

PERMIT TO PRACTICE STAMP

ENGINEER STAMP

TOROMONT		TOROMONT PROCESS SYSTEMS	
DRAWN BY: P. NOBLE	DATE: OCT 31, 2005		
CHKD. BY: G. MORRIS	SCALE: 1:25		
APPR. BY: D. ROUSSEAU	W.O. No: 11919201		
CUST. PO No:	-		

TITLE: ISOMETRIC VIEW	
FOR: HUSKY ENERGY 1150 HP TDSh-355S BOOSTER COMPRESSOR K-600	
DWG. No: 11919-201	SHEET No: 4 OF 4
	REV: 2

