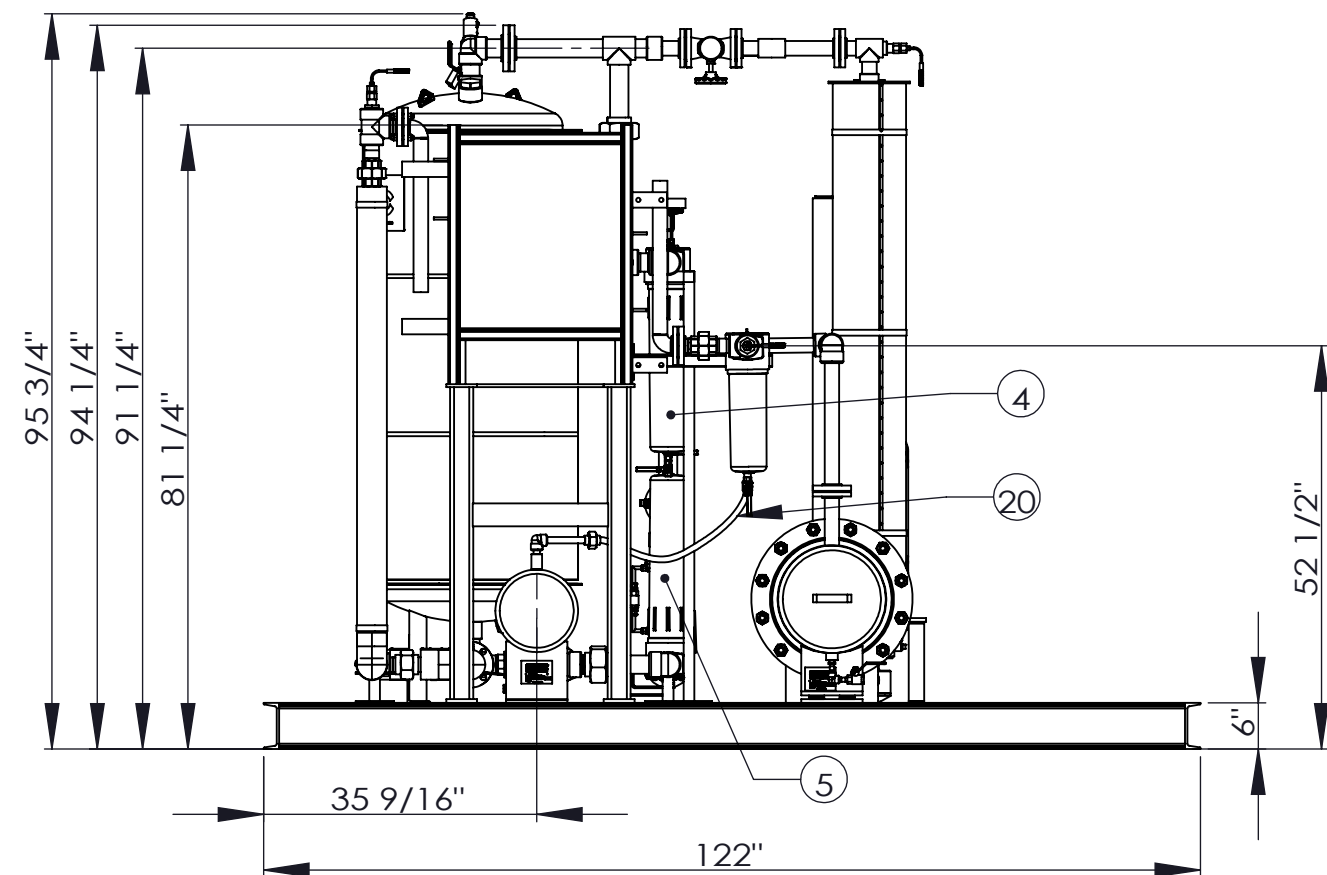
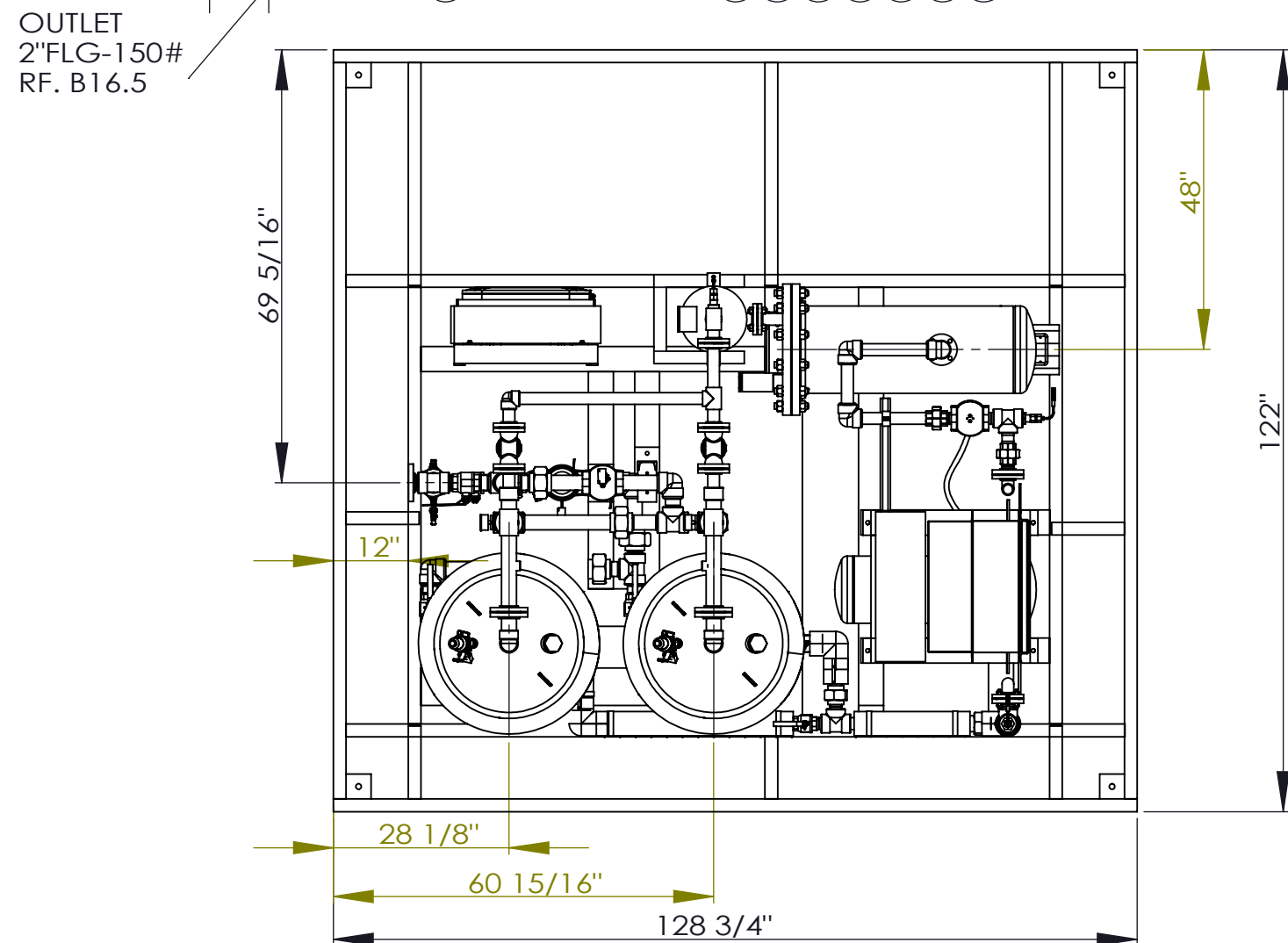
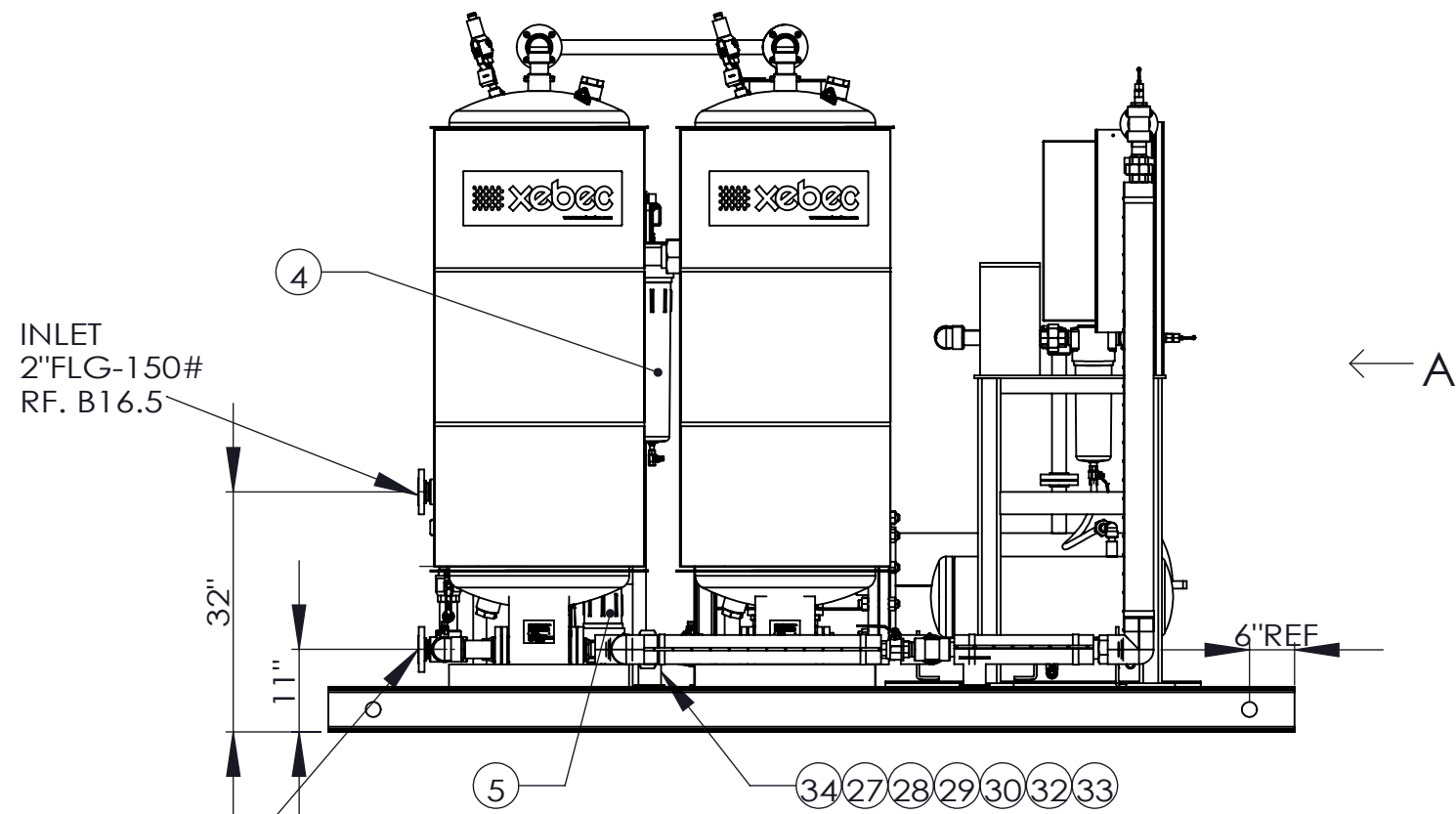


NOTE: ITEM#4, #5, #20 CAN BE FOUND IN DRAWING 2 de 3


	730 Boul. INDUSTRIEL, BLAINVILLE, QUÉBEC, J7C 3V4 (CANADA) Tel.: (450) 979-8700 Fax.: (450) 979-7869			TOLERANCE (INCHES): GENERAL: ±1/16" NOZZLE: ±1/8" FLANGE: ±1" // ±1/16"/12"	
	00 NEW DRAWING CREATION 06/08/10 L.Z.	DATE APP. DSS. SCALE 1:50		THIRD ANGLE PROJECTION	
THE ORIGINAL OF THIS DRAWING IS COPYRIGHT AND CONTAINS CONFIDENTIAL INFORMATION. IT IS THE PROPERTY OF XEBEC INC. WITHOUT WHOSE PERMISSION IT MAY NOT BE COPIED, SHOWN OR HANDED TO A THIRD PARTY OR OTHERWISE USED AND IT IS TO BE RETURNED PROMPTLY UPON REQUEST TO XEBEC Inc.	REV. DESCRIPTION DRAWN: L.Z. CHECKED: PAB APPROVED:	TITLE: STR24NGX-2D G.A.	DATE: 06/08/10 08/08/10	FORMAT: B DWG NO.: A209574	PAGE: 1 de 3



VIEW "A"

xebec		730 Boul. INDUSTRIEL, BLAINVILLE, QUÉBEC, J7C 3V4 (CANADA) Tel.: (450) 979-8700 Fax.: (450) 979-7869		TOLERANCE (INCHES): GENERAL: ±1/16" NOZZLE: ±2" FLANGE: ±1/8" // ±1/16"/12"	
00	NEW DRAWING CREATION	06/08/10	L.Z.	THIRD ANGLE PROJECTION:	
REV.	DESCRIPTION	DATE	APP. DSS.	SCALE	1:50
DRAWN	CHECKED	APPROVED	TITLE:	FORMAT:	DWG NO. :
NAME: L.Z	PAB		STR24NGX-2D G.A	B	A209574
DATE: 06/08/10	08/08/10				PAGE: 2 de 3

BILL OF MATERIAL										
ITEM	QTY	DESCRIPTION	MATERIAL	PART NO.	LENGTH	BEVEL	CODE	OP.	ISSUED	REV.
1	1	SKID FOR STR24NGX-2D		P209515						
2	2	CHAMBER ASSEMBLY		A209575						
3	2	RELIEF VALVE ASSMEBLY		A209575						
4	1	PREFILTER ASSEMBLY		G14G-XP-CNG						
5	1	AFTERFILTER ASSEMBLY		G14G-ZHTNX-CNG						
6	2	1-1/2" GATE VALVE, CL150, FLG ENDS		V009-021						
7	1	PIPING ASSEMBLY-1		P209583						
8	1	INLET PIPING ASSEMBLY		A209580						
9	1	OUTLET PIPING ASSEMBLY		A209581						
10	1	REGEN PIPING ASSEMBLY		A209582						
11	1	BYPASS PIPING ASSEMBLY		A209587						
12	1	PIPING ASSEMBLY-2		P209583						
13	1	HYGROMETER ASSEMBLY		P209579						
14	1	HEATER HOUSING ASSEMBLY		A209164						
15	1	BLOWER HOUSING ASSEMBLY		A209166						
16	1	REGENERATION COOLER		R001-027						
17	1	REGEN SEPARATOR		F-P-1.5-06-CUN-B						
18	1	ACCUMULATOR ASSEMBLY		A209163						
19	1	CONTROL PANEL ASSEMBLY		P209196						
20	1	ACCUMULATOR INLET ASSEMBLY		A209577						
21	2	XEBEC LOGO		L002-006						
22	1	PIPING SUPPORT FOR 2"(a)		P209585						
23	1	PIPING SUPPROT FOR 1.5"		P209584						
24	7	2" BRASS BALL VALVE, TWO-PIECE, FULL-PORT		V001-310						
25	2	1-1/2" BRASS BALL VALVE, TWO-PIECE, FULL-PORT,		V001-309						
26	1	HEATER SUPPORT		P209578						
27	12	HEX BOLT, 1/2" x 2-1/2"LG, NC ZINC PLATED	NC ZINC PLATED	RFASC00206						
28	12	LOCK WASHER, 1/2", PLATED, GR.2	ZINC PLATED GR.2	RFASC00213						
29	12	HEX NUT 1/2"-13UNC	ZINC PLATED GR.2	RFASC00202						
30	24	FLAT WASHER 1/2"	PLATED	RFASC00210						
31	1	U-CLAMP, 1 1/2"PIPE 5/16" x 2 3/4", PLATE	PLATED	RFASC00086						
32	2	U-CLAMP, 2"PIPE 5/16" x 3 1/8", PLATE	PLATED	RFASC00088						
33	6	HEX NUT 5/16"-24 UNF	PLATED SAE GR.5	RFASC00191						
34	1	PIPING SUPPORT FOR 2"(b)		P209586						

 <p>730 Boul. INDUSTRIEL, BLAINVILLE, QUÉBEC, J7C 3V4 (CANADA) Tel.: (450) 979-8700 Fax.: (450) 979-7869</p>	00 NEW DRAWING CREATION			06/08/10	L.Z	TOLERANCE (INCHES): GENERAL: ±1/16" NOZZLE: ±2" FLANGE: ±1/8" // ±1/16"/12"
	THE ORIGINAL OF THIS DRAWING IS COPYRIGHT AND CONTAINS CONFIDENTIAL INFORMATION. IT IS THE PROPERTY OF XEBEC INC. WITHOUT WHOSE PERMISSION IT MAY NOT BE COPIED, SHOWN OR HANDED TO A THIRD PARTY OR OTHERWISE USED AND IT IS TO BE RETURNED PROMPTLY UPON REQUEST TO XEBEC Inc.			REV. DESCRIPTION DATE APP. DSS. SCALE 1:50	FORMAT: DWG NO.: B A209574	PAGE: 3 de 3
NAME: L.Z PAB DATE: 06/08/10 08/08/10			STR24NGX-2D G.A			