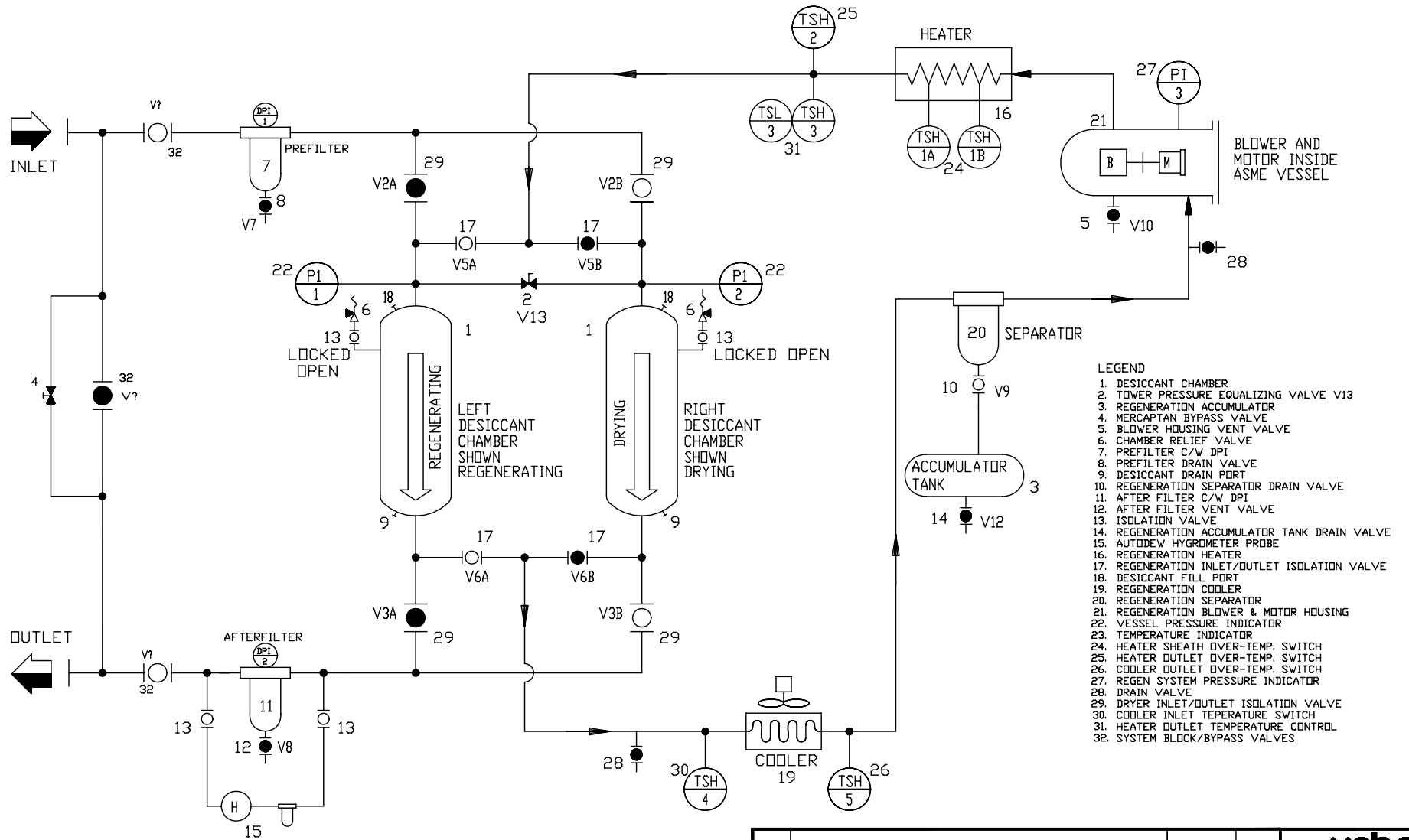


- LEGEND**
1. DESICCANT CHAMBER
 2. TOWER PRESSURE EQUALIZING VALVE V13
 3. REGENERATION ACCUMULATOR
 4. MERCAPTAN BYPASS VALVE
 5. BLOWER HOUSING VENT VALVE
 6. CHAMBER RELIEF VALVE
 7. PREFILTER C/W DPI
 8. PREFILTER DRAIN VALVE
 9. DESICCANT DRAIN PORT
 10. REGENERATION SEPARATOR DRAIN VALVE
 11. AFTER FILTER C/W DPI
 12. AFTER FILTER VENT VALVE
 13. ISOLATION VALVE
 14. REGENERATION ACCUMULATOR TANK DRAIN VALVE
 15. AUTODEW HYGROMETER PROBE
 16. REGENERATION HEATER
 17. REGENERATION INLET/OUTLET ISOLATION VALVE
 18. DESICCANT FILL PORT
 19. REGENERATION COOLER
 20. REGENERATION SEPARATOR
 21. REGENERATION BLOWER & MOTOR HOUSING
 22. VESSEL PRESSURE INDICATOR
 23. TEMPERATURE INDICATOR
 24. HEATER SHEATH OVER-TEMP. SWITCH
 25. HEATER OUTLET OVER-TEMP. SWITCH
 26. COOLER OUTLET OVER-TEMP. SWITCH
 27. REGEN SYSTEM PRESSURE INDICATOR
 28. DRAIN VALVE
 29. DRYER INLET/OUTLET ISOLATION VALVE
 30. COOLER INLET TEMPERATURE SWITCH
 31. HEATER OUTLET TEMPERATURE CONTROL
 32. SYSTEM BLOCK/BYPASS VALVES

NOTE:
 1. PROCESS GAS TUBING TO BE STAINLESS STEEL 316 WITH SWAGELOK TUBE FITTINGS



- LEGEND**
1. DESICCANT CHAMBER
 2. TOWER PRESSURE EQUALIZING VALVE V13
 3. REGENERATION ACCUMULATOR
 4. MERCAPTAN BYPASS VALVE
 5. BLOWER HOUSING VENT VALVE
 6. CHAMBER RELIEF VALVE
 7. PREFILTER C/W DPI
 8. PREFILTER DRAIN VALVE
 9. DESICCANT DRAIN PORT
 10. REGENERATION SEPARATOR DRAIN VALVE
 11. AFTER FILTER C/W DPI
 12. AFTER FILTER VENT VALVE
 13. ISOLATION VALVE
 14. REGENERATION ACCUMULATOR TANK DRAIN VALVE
 15. AUTODEW HYGROMETER PROBE
 16. REGENERATION HEATER
 17. REGENERATION INLET/OUTLET ISOLATION VALVE
 18. REGENERATION FILL PORT
 19. REGENERATION COOLER
 20. REGENERATION SEPARATOR
 21. REGENERATION BLOWER & MOTOR HOUSING
 22. VESSEL PRESSURE INDICATOR
 23. TEMPERATURE INDICATOR
 24. HEATER SHEATH OVER-TEMP. SWITCH
 25. HEATER OUTLET OVER-TEMP. SWITCH
 26. COOLER OUTLET OVER-TEMP. SWITCH
 27. REGEN SYSTEM PRESSURE INDICATOR
 28. DRAIN VALVE
 29. DRYER INLET/OUTLET ISOLATION VALVE
 30. COOLER INLET TEMPERATURE SWITCH
 31. HEATER OUTLET TEMPERATURE CONTROL
 32. SYSTEM BLOCK/BYPASS VALVES

NOTE:
1. PROCESS GAS TUBING TO BE STAINLESS STEEL 316 WITH SWAGELOK TUBE FITTINGS

00 ORIGINAL ISSUE		11/07/07 GB	
REV.	DESCRIPTION	DATE	NAME
DIMENSIONS: IN INCHES	DRAWN: MM	CHECKED: GB	APPROVED: GB
SCALE: NTS	NAME: MM	DATE: 11/07/07	11/07/07
STRNGX DUPLEX			DRAWING NO.: Y207617
730 BOULEVARD INDUSTRIEL, BLAINVILLE (QUEBEC), J7C 3V4 CANADA			SHEET 1 of 1

xebec
730 BOULEVARD INDUSTRIEL,
BLAINVILLE (QUEBEC),
J7C 3V4 CANADA

FAX: 450 979 7869 TEL.: 450 979 8700

THE ORIGINAL OF THIS DRAWING IS COPYRIGHT AND CONTAINS CONFIDENTIAL INFORMATION. IT IS THE PROPERTY OF XEBEC INC. WITHOUT WHOSE PERMISSION IT MAY NOT BE COPIED, SHOWN OR HANDED TO A THIRD PARTY OR OTHERWISE USED AND IT IS TO BE RETURNED PROMPTLY UPON REQUEST TO XEBEC INC.

? 2002