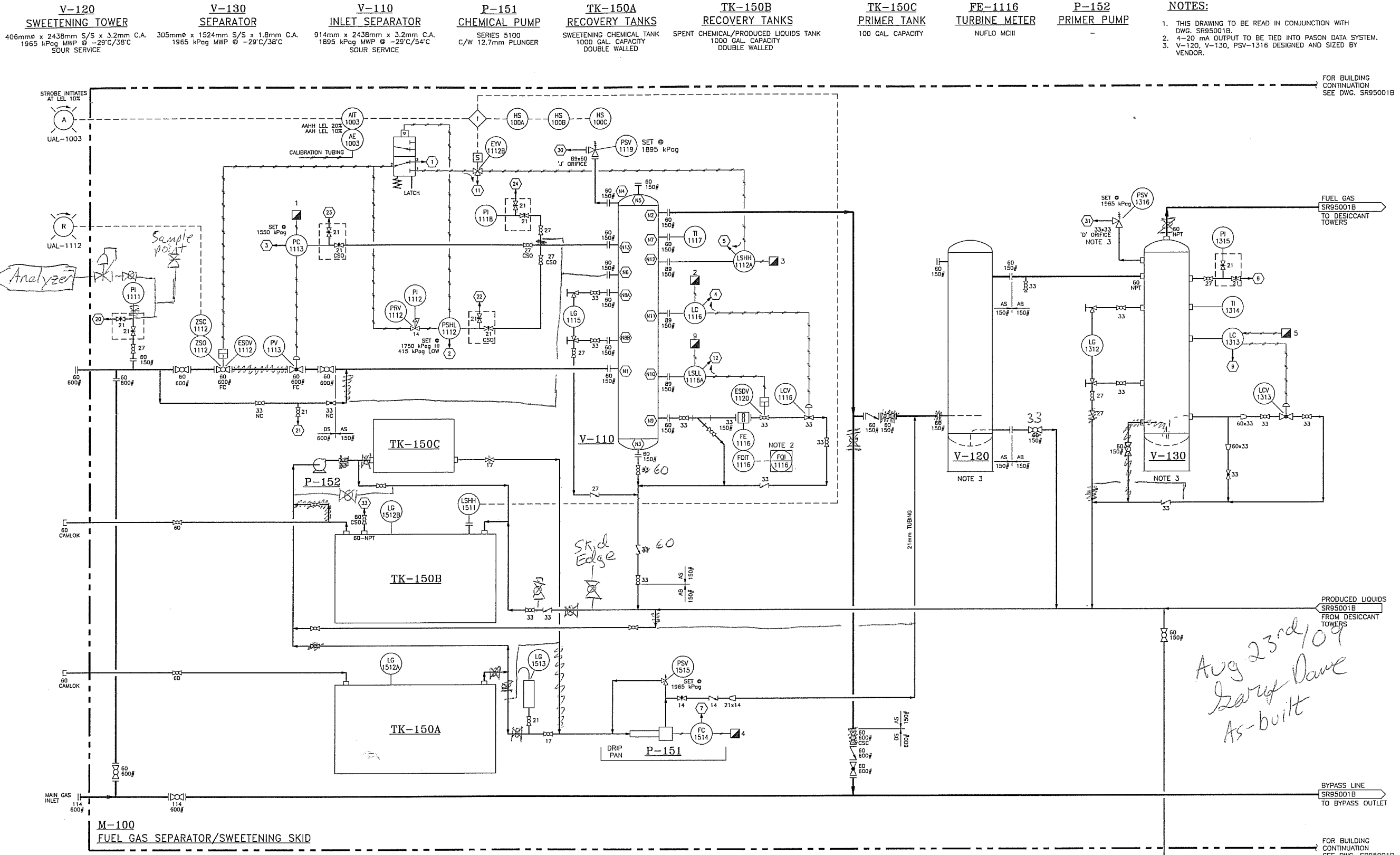


July 23, 2009-1:53 PM



- NOTES:**
1. THIS DRAWING TO BE READ IN CONJUNCTION WITH DWG. SR95001B.
 2. 4-20 mA OUTPUT TO BE TIED INTO PASON DATA SYSTEM.
 3. V-120, V-130, PSV-1316 DESIGNED AND SIZED BY VENDOR.

FOR BUILDING CONTINUATION SEE DWG. SR95001B

PRODUCED LIQUIDS SR95001B FROM DESICCANT TOWERS

BYPASS LINE SR95001B TO BYPASS OUTLET

FOR BUILDING CONTINUATION SEE DWG. SR95001B

Drawings Must Comply with Encana Drafting Standards (ECA-A-1)

FILE: \\Encana\PIBUs\FAC\Misc_Jobs&Fields\Studies\EN08-00733_Fuel_Gas_Separator_Sweetening_Skid\Drawings\Mechanical\PA08A\SR95001A.DWG(09/11/09)

CAUTION : READ BEFORE EXCAVATION
ALL EXCAVATIONS MUST BE CARRIED OUT AS PER "ENCANA'S GROUND DISTURBANCE PRACTICE"

| NO. | DATE | PROJECT DESCRIPTION | PROJ. | AFE | EPCM Co. | EPCM No. | APPD. |
|-----|------------|------------------------|-------|-----|----------|------------|-------|
| 1 | 2009-04-01 | FUEL CONDITIONING SKID | | | SOLARIS | EN08-00733 | |

| REV. NUMBER | IC1 | ISSUE STAGE | DATE | BY | CHKD. | APPD. |
|-------------|-----|--------------|------------|----|-------|-------|
| | | Prelim. (A) | | | | |
| | | Bid (B) | | | | |
| | | Constr. (C) | 2009-07-22 | KP | | |
| | | As-built (D) | | | | |

CHECK PRINT

PERMIT STAMP AND PROFESSIONAL STAMP AFFIXED ABOVE SHALL APPLY ONLY TO REV(S)

ENCANA

SOLARIS MANAGEMENT CONSULTANTS INC.

TITLE: PIPING AND INSTRUMENTATION DIAGRAM
FUEL GAS SEPARATOR/SWEETENING SKID - SHEET 1

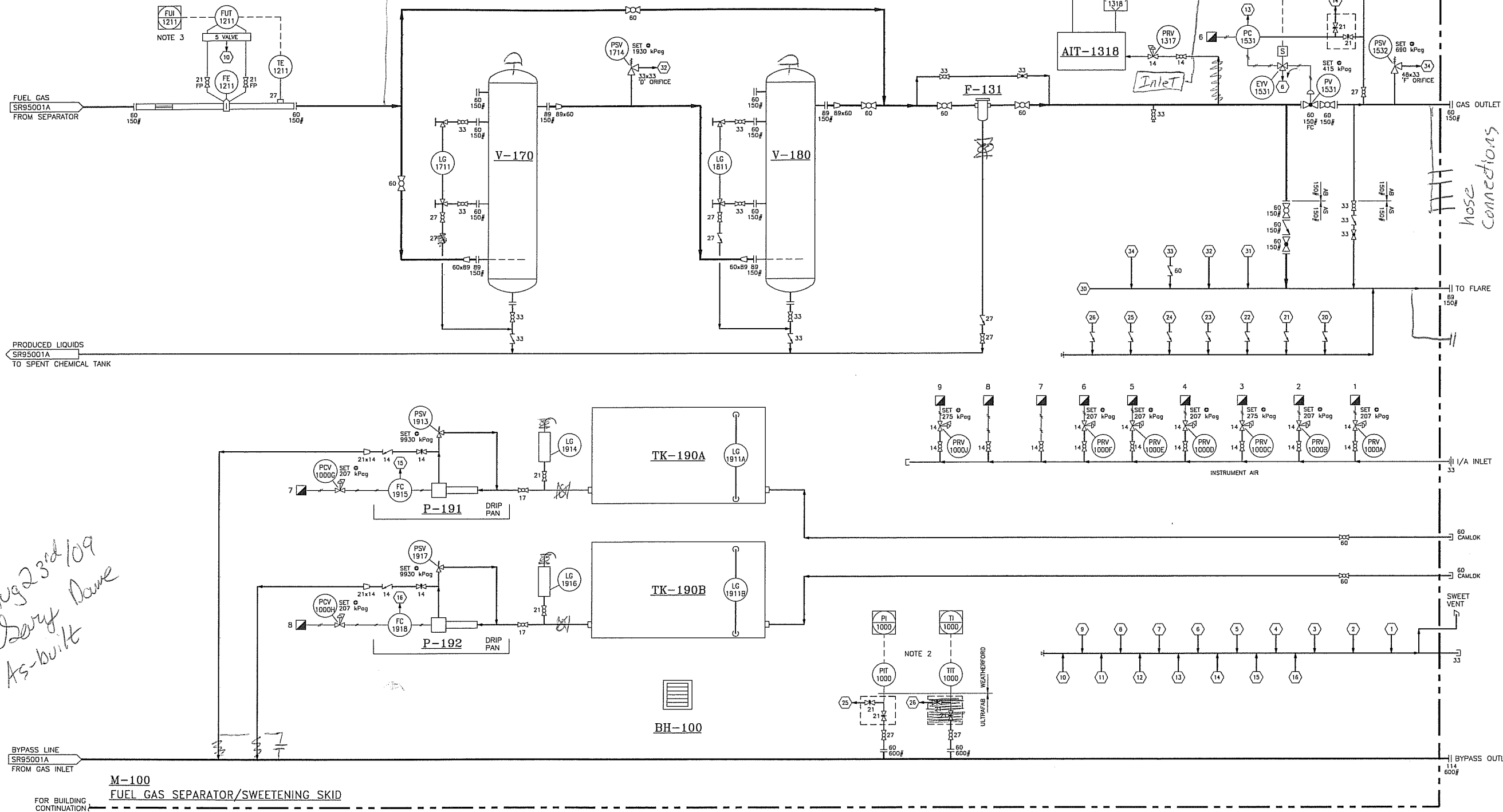
AREA: SIERRA CLASS: A FILE NO: SR95001A

July 23, 2009 - 1:53 pm

- FE-1211**
ORIFICE METER
NORTHSTAR JUNIOR ORIFICE METER
- P-191/192**
CHEMICAL PUMP
SERIES 5100
C/W 12.7mm PLUNGER
- TK-190A**
CHEMICAL TANKS
METHANOL STORAGE TANK
100 GALLON
- TK-190B**
CHEMICAL TANKS
CORROSION INHIBITOR STORAGE TANK
100 GALLON
- BH-100**
BUILDING HEATER
ELECTRIC ROUGHNECK
7.5 kW
- AIT-1318**
H2S ANALYZER
ENVENT
LEAD ACETATE TYPE
- F-131**
FILTER
- V-170**
DESICCANT TOWER
406.4mm x 1524mm x 3.2mm C.A.
MAWP: 1965 kPag @ -29°C/38°C
FILL: GAS DRY PEAK
- V-180**
DESICCANT TOWER
406.4mm x 1524mm x 3.2mm C.A.
MAWP: 1965 kPag @ -29°C/38°C
FILL: GAS DRY MAX

- NOTES:**
- THIS DRAWING TO BE READ IN CONJUNCTION WITH DWG. SR95001A.
 - INSTRUMENTATION FOR WEATHERFORD UNDERBALANCED DRILLING PACKAGE.
 - 4-20mA OUTPUT TO BE TIED INTO PASON DATA SYSTEM.

- FUT-1211**
MULTIVARIABLE TRANSMITTER
FLOBOSS 103 w/ LOCAL DISPLAY
FOR BUILDING CONTINUATION
SEE DWG. SR95001A
- TE-1211**
RTD AND THERMOWELL
ROSEMOUNT
M/N: 0068R21C30A040F62E6R05



Aug 23rd 109
Darryl Dams
As-built

| REFERENCE DRAWINGS | DWG. NO. | NO. | DATE | PROJECT DESCRIPTION | PROJ. | AFE | EPCM Co. | EPCM No. | APPD. |
|--|----------|-----|------------|------------------------|-------|-----|----------|------------|-------|
| | | 1 | 2009-04-01 | FUEL CONDITIONING SKID | | | SOLARIS | EN08-00733 | |
| <p>CAUTION : READ BEFORE EXCAVATION ALL EXCAVATIONS MUST BE CARRIED OUT AS PER "ENCANA'S GROUND DISTURBANCE PRACTICE"</p> | | | | | | | | | |

| ISSUE STAGE | DATE | BY | CHKD. | APPD. | PERMIT STAMP | ENGINEER'S STAMP |
|--------------|------------|----|-------|-------|--------------|------------------|
| Prelim. (A) | - | - | - | - | | |
| Bid (B) | - | - | - | - | | |
| Constr. (C) | 2009-07-22 | KP | | | | |
| As-built (D) | - | - | - | - | | |

CHECK PRINT

ENCANA

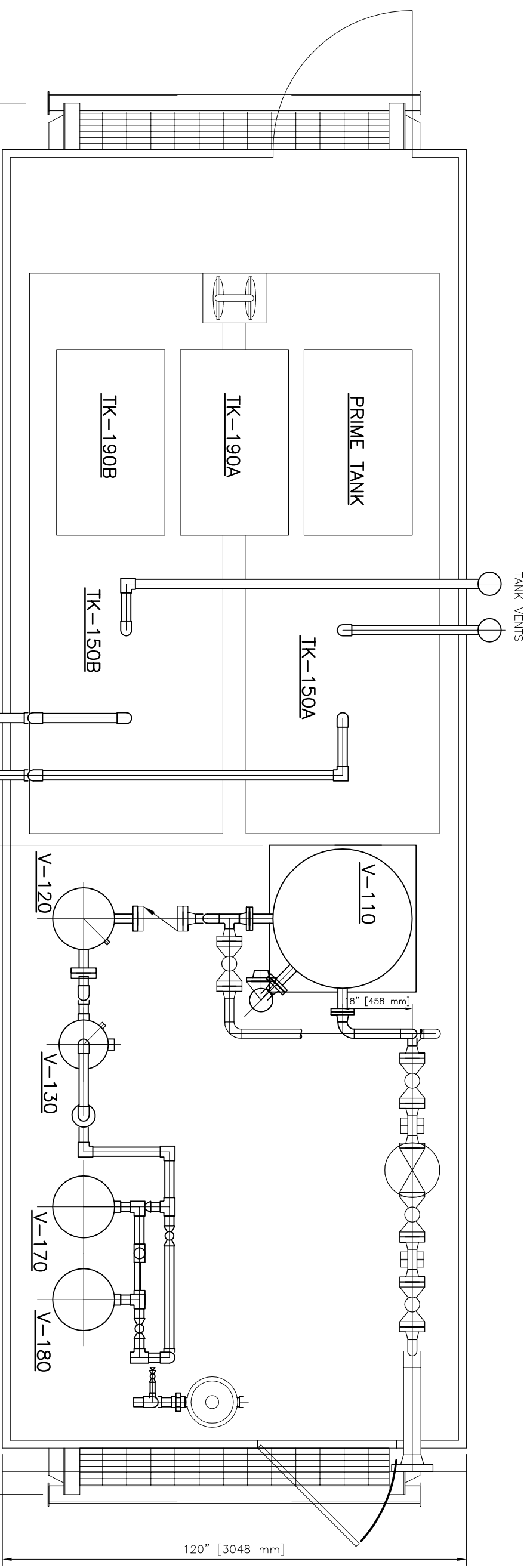
SOLARIS MANAGEMENT CONSULTANTS INC.

PIPING AND INSTRUMENTATION DIAGRAM
FUEL GAS SEPARATOR/SWEETENING SKID - SHEET 2

SIERRA

CLASS / FILE NO.
A / SR95001B

Drawings Must Comply with Encana Drafting Standards (ECA-A-1)



PLAN VIEW

NOTES:

| REV. | DATE | DESCRIPTION | DRAWN | CHECK | DESIGN | APPR |
|------|-----------|-------------------|-------|-------|--------|------|
| 1 | 14-JUL-09 | REMOVE HOSE REELS | CB | | MS | |
| 0 | 25-JUN-09 | PRELIMINARY | CB | | MS | |
| | | | | | | |
| | | | | | | |
| | | | | | | |
| | | | | | | |
| | | | | | | |
| | | | | | | |
| | | | | | | |
| | | | | | | |
| | | | | | | |
| | | | | | | |
| | | | | | | |
| | | | | | | |
| | | | | | | |
| | | | | | | |
| | | | | | | |
| | | | | | | |
| | | | | | | |
| | | | | | | |

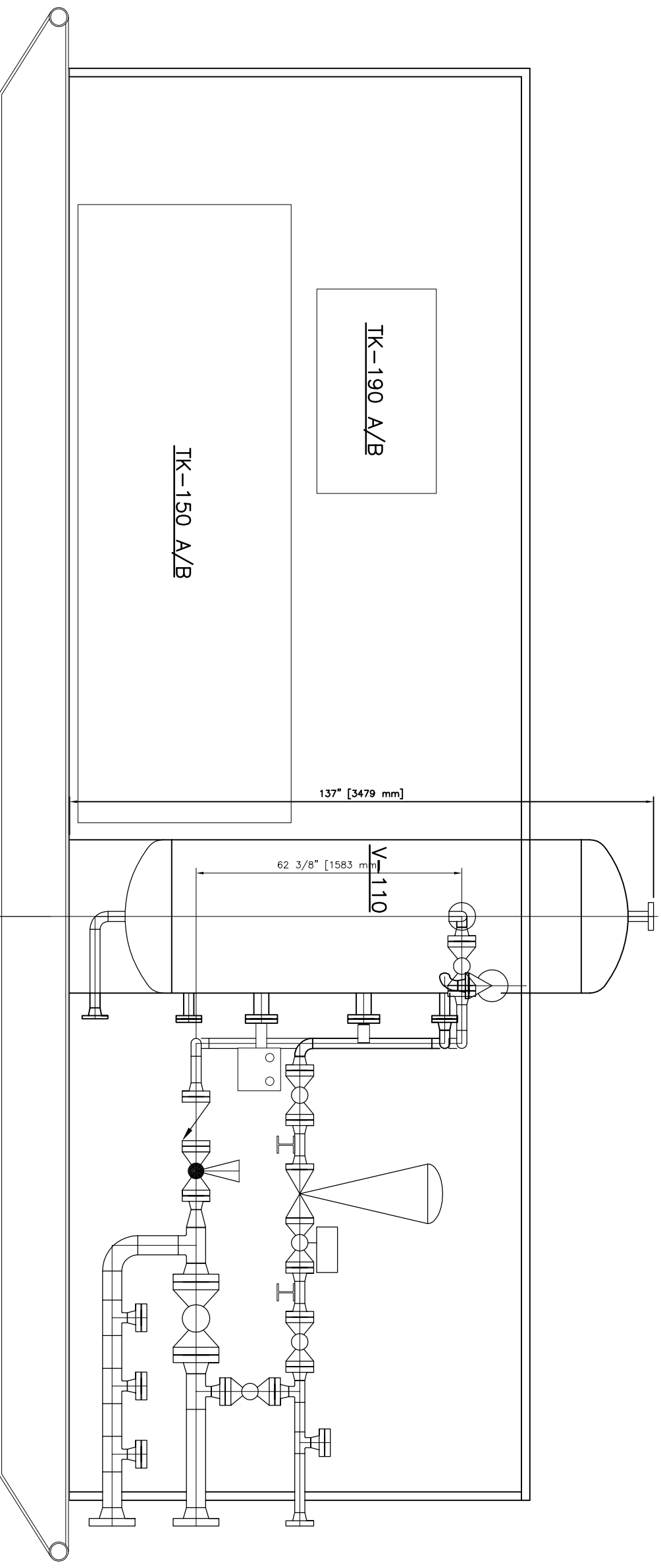
ULTRAFAB INDUSTRIES LTD.

ENCANA CORP. c/o SOLARIS MCI.

FUEL GAS CONDITIONING SKID
GENERAL ARRANGEMENT

| | | | |
|--------------|---|-------------|---|
| CLIENT: | ENCANA CORP. c/o SOLARIS MCI. | | |
| TITLE: | FUEL GAS CONDITIONING SKID GENERAL ARRANGEMENT | | |
| SCALE: | 1:30 | SHEET | 1 OF 2 |
| QUOTE REF: - | LA99-702 | DRAWING No. | Computer File # |
| | | FILE: - | Projects 2009/99-700/99-702/Drawings LA99-702 |
| | | DATE | TIME |

THIS DRAWING AND THE DESIGN IT COVERS ARE CONFIDENTIAL AND THE PROPERTY OF ULTRAFAB INDUSTRIES LTD., AND SHALL NOT BE DISCLOSED TO OTHERS OR REPRODUCED IN ANY MANNER OR USED FOR ANY PURPOSE WHATSOEVER EXCEPT BY WRITTEN CONSENT OF ULTRAFAB.



NOTES:

| REV. | DATE | DESCRIPTION | DRAWN | CHECK | DESIGN | APPR |
|------|-----------|-------------|-------|-------|--------|------|
| 0 | 25-JUN-09 | PRELIMINARY | CB | | LM | |
| | | | | | | |
| | | | | | | |
| | | | | | | |
| | | | | | | |
| | | | | | | |
| | | | | | | |
| | | | | | | |
| | | | | | | |

ULTRAFAB INDUSTRIES LTD.

CLIENT: ENCANA CORP. c/o SOLARIS MCI.

TITLE: FUEL GAS CONDITIONING SKID
GENERAL ARRANGEMENT

| | | | | |
|--------------|--------------|---|------|------|
| SCALE: 1:30 | SHEET 2 OF 2 | DRAWING No. LA99-702 | DATE | TIME |
| QUOTE REF: - | | Computer File # | | |
| | | FILE: - Projects 2009/99-700/99-702 Drawings/LA99-702 | | |

THIS DRAWING AND THE DESIGN IT COVERS ARE CONFIDENTIAL AND THE PROPERTY OF ULTRAFAB INDUSTRIES LTD., AND SHALL NOT BE DISCLOSED TO OTHERS OR REPRODUCED IN ANY MANNER OR USED FOR ANY PURPOSE WHATSOEVER EXCEPT BY WRITTEN CONSENT OF ULTRAFAB.