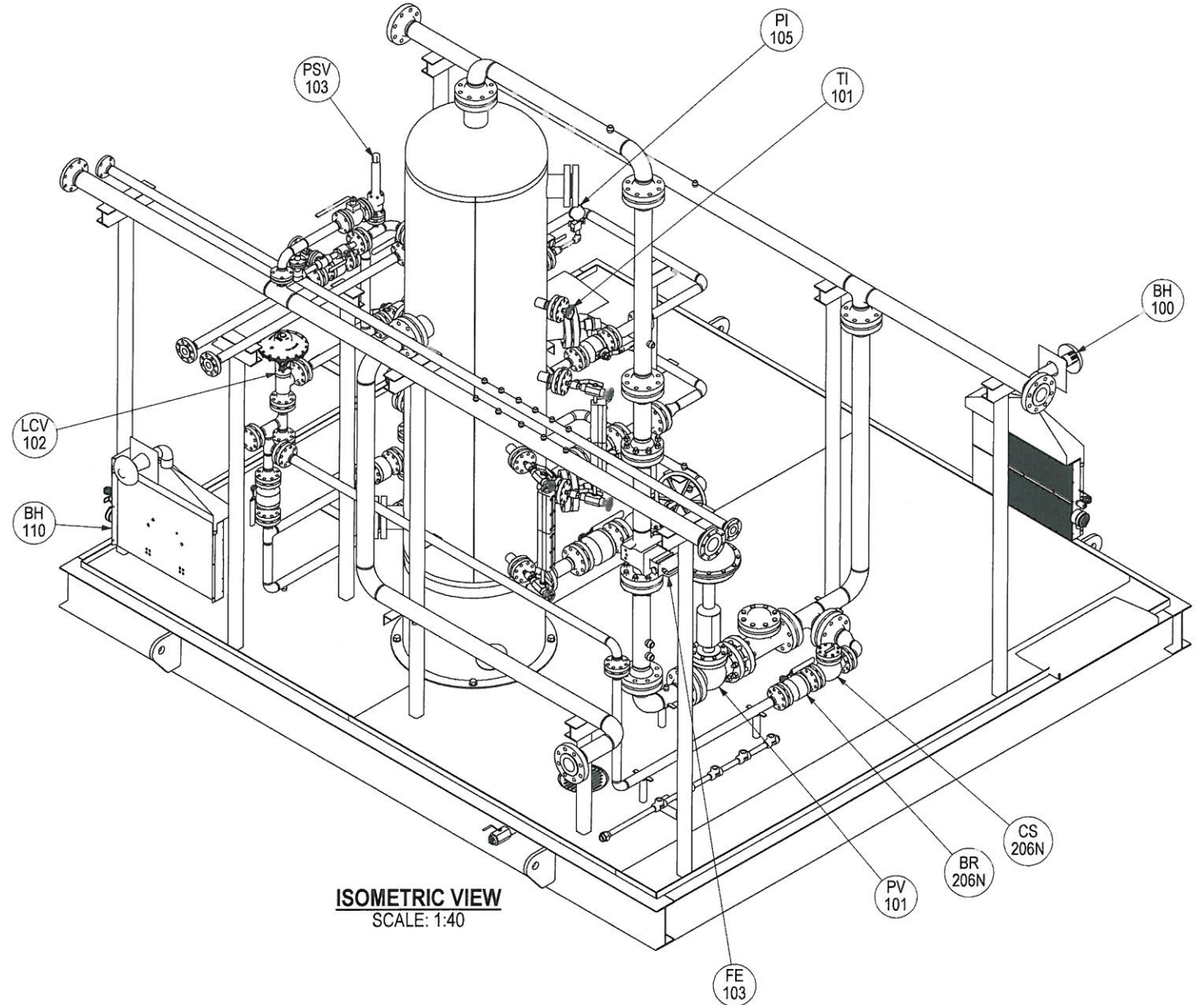


ISOMETRIC VIEW
SCALE: 1:40



ISOMETRIC VIEW
SCALE: 1:40

ENCANA PO# PO56396	
NWP JOB#	LSD
09359-001	4-2-80-17W6
09359-002	2-12-81-18W6
09359-003	15-13-80-17W6

SHIPPING DATA	
APPROX. OVERALL HEIGHT:	189 1/4" ¹
APPROX. OVERALL LENGTH:	230 1/2"
APPROX. OVERALL WIDTH:	208"
APPROX. PACKAGE WEIGHT:	27,300 LBS


REV.	DATE	BY:	CHK:	APP:	DESCRIPTION
1	JULY 06/15	EB	<i>EB</i>	<i>EB</i>	RE-IFC (ADJUSTED BUILDING HEIGHT AS BUILT)
0	JUN 01/15	EB			ISSUED FOR CONSTRUCTION
B	APR 23/15	EB			RE-ISSUED FOR APPROVAL
A	APR 08/15	EB			ISSUED FOR APPROVAL

DRAWING REVISIONS

ISSUED FOR CONSTRUCTION


SIGNED: _____
 DATE: _____
 W.O.: _____
 S/N: _____

ALL DIMENSIONS IN INCHES



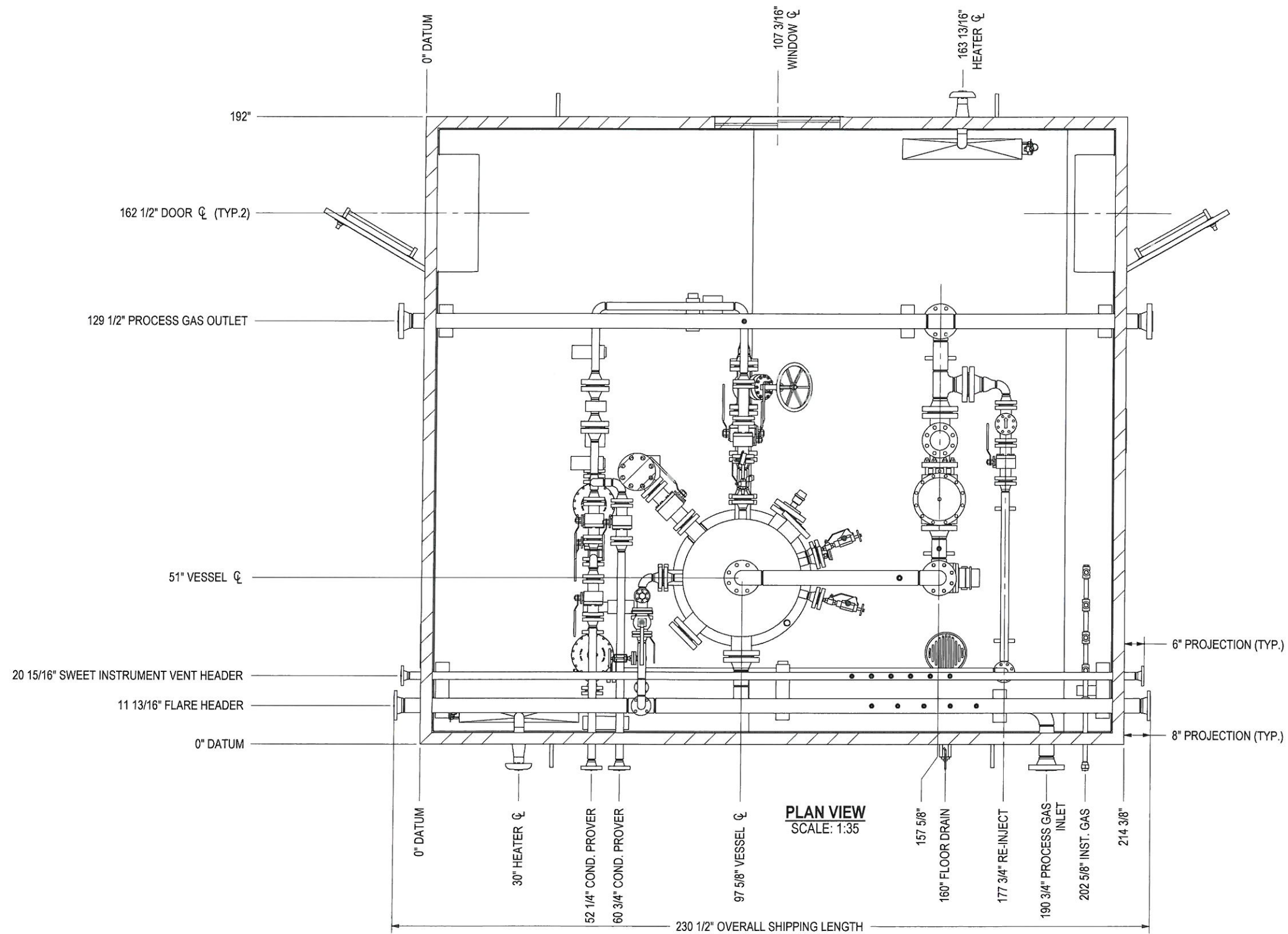
NWP
INDUSTRIES LP

P.O. BOX 6280, INNISFAIL, AB T4G 1S9
 PH: (403) 227-4100 FAX: (403) 227-4102

PROJECTION:  SCALE: AS NOTED
 WEIGHT: (LBS) _____

ENCANA CORPORATION c/o PIONEER ENGINEERING LTD TEST SEPARATOR 36" OD x 10' S/S, 1440 PSIG SOUR SERVICE			
GENERAL ARRANGEMENT			
DWN:	EB	CHK:	<i>EB</i>
DATE:	APRIL 06/15	DATE:	JUL 07 2015
APP:	<i>EB</i>	DATE:	JUL 07 2015
SHEET:	1 OF 5	DWG:	09359-001-G-000
REV:		REV:	1

ORIGINAL



PLAN VIEW
SCALE: 1:35

ORIGINAL

REV.	DATE	BY:	CHK:	APP:	DESCRIPTION
1	JULY 06/15	EB			RE-IFC (ADJUSTED BUILDING HEIGHT AS BUILT)
0	JUN 01/15	EB			ISSUED FOR CONSTRUCTION
B	APR 23/15	EB			RE-ISSUED FOR APPROVAL
A	APR 08/15	EB			ISSUED FOR APPROVAL

DRAWING REVISIONS

ISSUED FOR CONSTRUCTION

SIGNED: _____

DATE: _____

W.O.: _____

S/N: _____

ALL DIMENSIONS IN INCHES

NWP INDUSTRIES LP

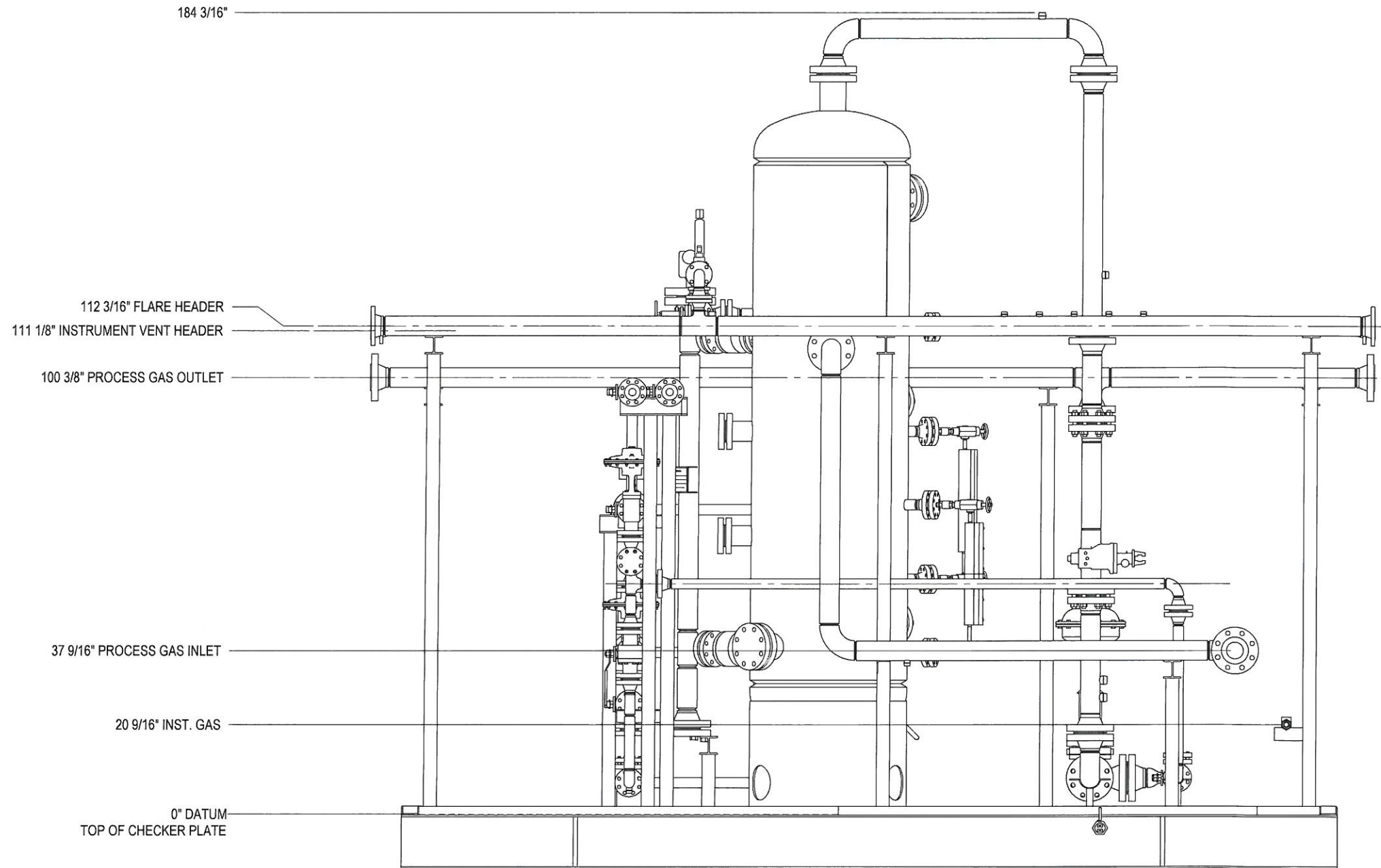
P.O. BOX 6280, INNISFAIL, AB T4G 1S9
PH: (403) 227-4100 FAX: (403) 227-4102

PROJECTION:

SCALE: AS NOTED

WEIGHT:

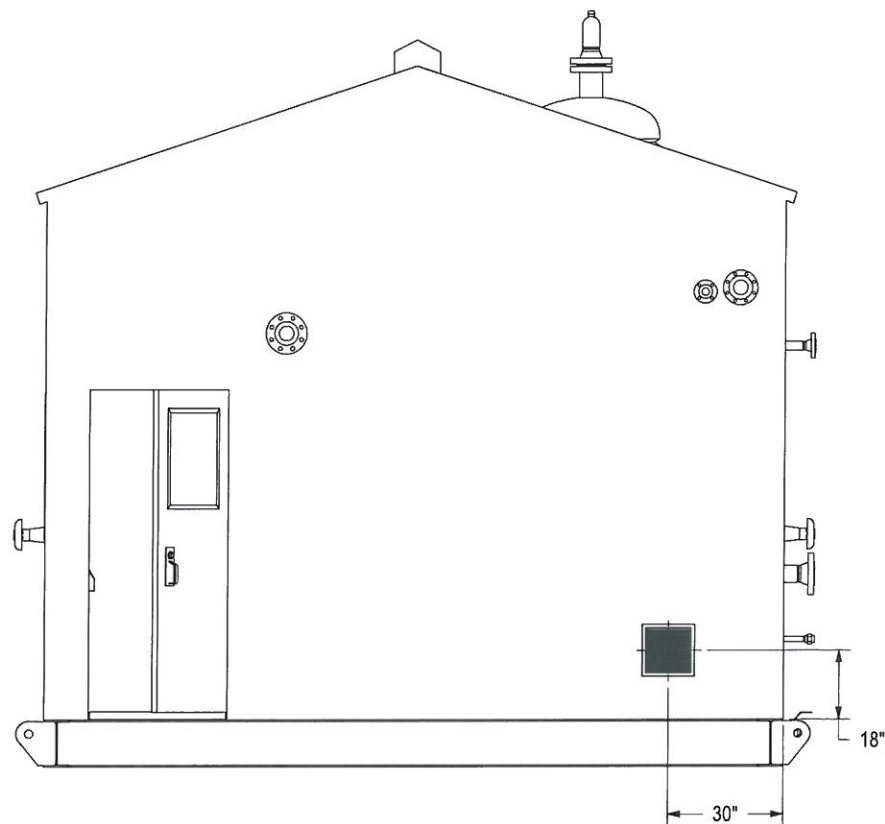
ENCANA CORPORATION c/o PIONEER ENGINEERING LTD TEST SEPARATOR 36" OD x 10' S/S, 1440 PSIG SOUR SERVICE					
GENERAL ARRANGEMENT - PLAN VIEW					
DWN:	EB	CHK:		APP:	
DATE:	APRIL 06/15	DATE:	JUL 07 2015	DATE:	JUL 07 2015
SHEET:	2 OF 5	DWG:	09359-001-G-000	REV:	1



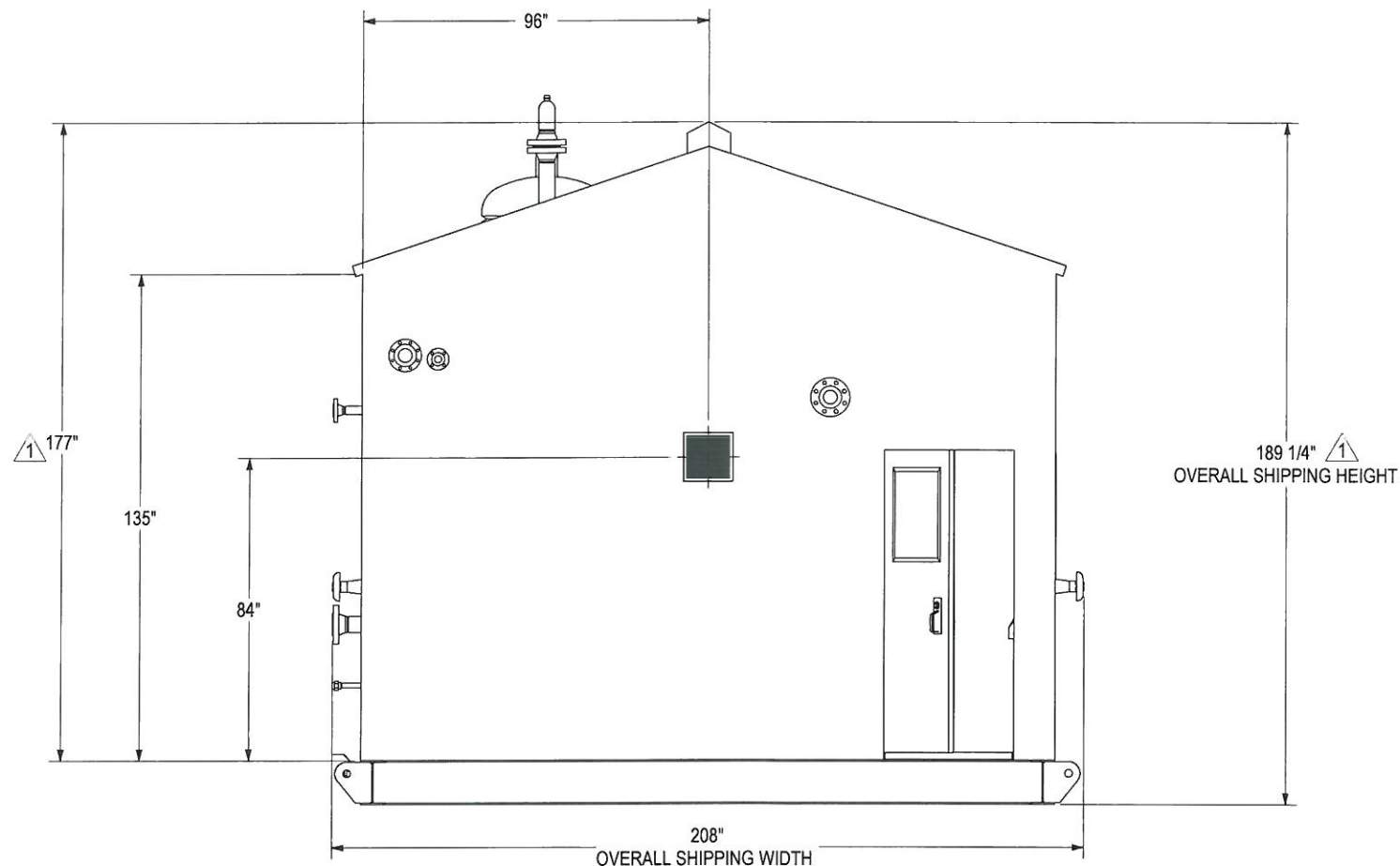
FRONT VIEW
SCALE: 1:30

ORIGINAL

<table border="1"> <thead> <tr> <th>REV.</th> <th>DATE</th> <th>BY:</th> <th>CHK:</th> <th>APP:</th> <th>DESCRIPTION</th> </tr> </thead> <tbody> <tr> <td>1</td> <td>JULY 06/15</td> <td>EB</td> <td><i>EB</i></td> <td><i>EB</i></td> <td>RE-IFC (ADJUSTED BUILDING HEIGHT AS BUILT)</td> </tr> <tr> <td>0</td> <td>JUN 01/15</td> <td>EB</td> <td></td> <td></td> <td>ISSUED FOR CONSTRUCTION</td> </tr> <tr> <td>B</td> <td>APR 23/15</td> <td>EB</td> <td></td> <td></td> <td>RE-ISSUED FOR APPROVAL</td> </tr> <tr> <td>A</td> <td>APR 08/15</td> <td>EB</td> <td></td> <td></td> <td>ISSUED FOR APPROVAL</td> </tr> </tbody> </table>					REV.	DATE	BY:	CHK:	APP:	DESCRIPTION	1	JULY 06/15	EB	<i>EB</i>	<i>EB</i>	RE-IFC (ADJUSTED BUILDING HEIGHT AS BUILT)	0	JUN 01/15	EB			ISSUED FOR CONSTRUCTION	B	APR 23/15	EB			RE-ISSUED FOR APPROVAL	A	APR 08/15	EB			ISSUED FOR APPROVAL	<p>ISSUED FOR CONSTRUCTION</p> <p>SIGNED: _____</p> <p>DATE: _____</p> <p>W.O.: _____</p> <p>S/W: _____</p>		<p>NWP INDUSTRIES LP</p> <p>P.O. BOX 6280, INNISFAIL, AB T4G 1S9 PH: (403) 227-4100 FAX: (403) 227-4102</p>		<p>ENCANA CORPORATION c/o PIONEER ENGINEERING LTD TEST SEPARATOR 36" OD x 10' S/S, 1440 PSIG SOUR SERVICE</p>		
					REV.	DATE	BY:	CHK:	APP:	DESCRIPTION																															
1	JULY 06/15	EB	<i>EB</i>	<i>EB</i>	RE-IFC (ADJUSTED BUILDING HEIGHT AS BUILT)																																				
0	JUN 01/15	EB			ISSUED FOR CONSTRUCTION																																				
B	APR 23/15	EB			RE-ISSUED FOR APPROVAL																																				
A	APR 08/15	EB			ISSUED FOR APPROVAL																																				
DRAWING REVISIONS					ALL DIMENSIONS IN INCHES		<p>PROJECTION: </p> <p>SCALE: AS NOTED</p> <p>WEIGHT: (APPROX. 15%)</p>		<p>GENERAL ARRANGEMENT - FRONT VIEW</p> <p>DWN: EB CHK: <i>EB</i> APP: <i>EB</i></p> <p>DATE: APRIL 06/15 DATE: JUL 07 2015 DATE: JUL 07 2015</p> <p>SHEET: 3 OF 5 DWG: 09359-001-G-000 REV: 1</p>																																



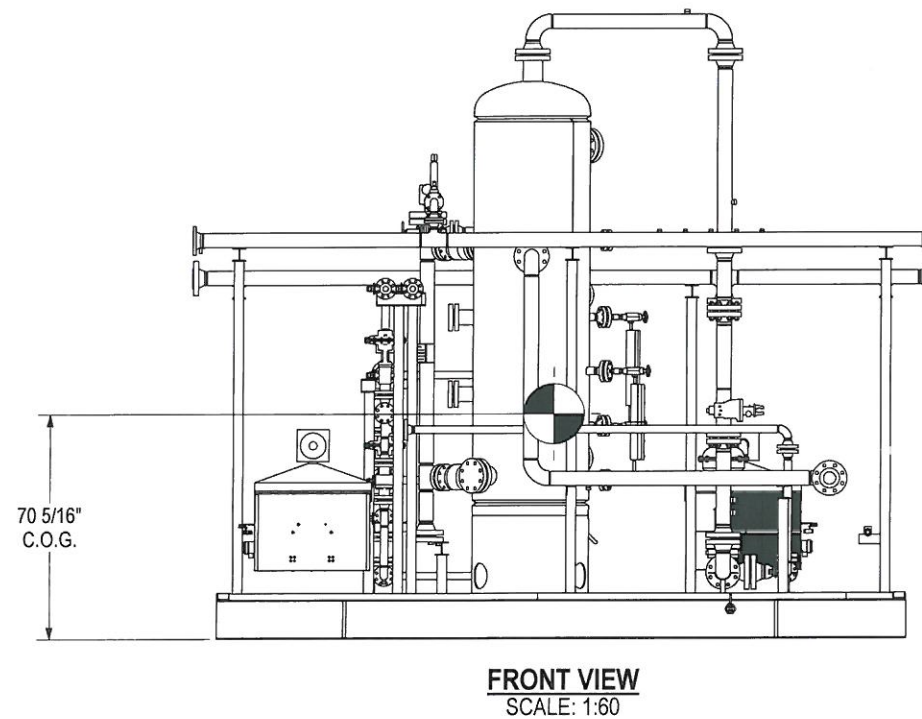
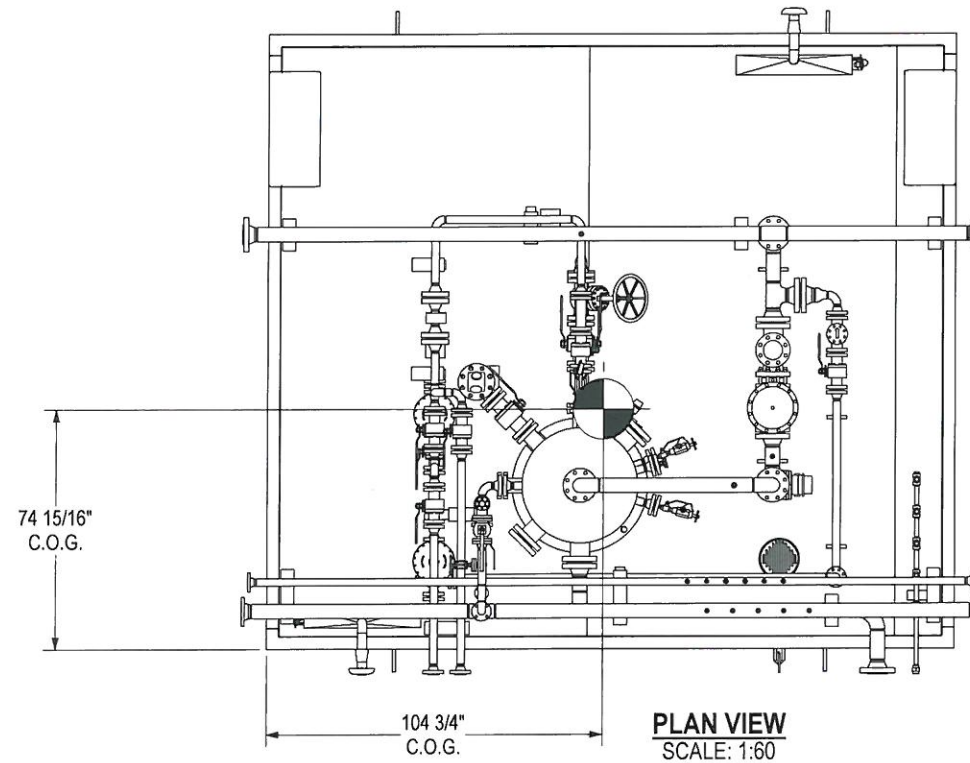
LEFT VIEW
SCALE: 1:50



RIGHT VIEW
SCALE: 1:50

ORIGINAL

<table border="1"> <thead> <tr> <th>REV.</th> <th>DATE</th> <th>BY:</th> <th>CHK:</th> <th>APP:</th> <th>DESCRIPTION</th> </tr> </thead> <tbody> <tr> <td>1</td> <td>JULY 06/15</td> <td>EB</td> <td></td> <td></td> <td>RE-IFC (ADJUSTED BUILDING HEIGHT AS BUILT)</td> </tr> <tr> <td>0</td> <td>JUN 01/15</td> <td>EB</td> <td></td> <td></td> <td>ISSUED FOR CONSTRUCTION</td> </tr> <tr> <td>B</td> <td>APR 23/15</td> <td>EB</td> <td></td> <td></td> <td>RE-ISSUED FOR APPROVAL</td> </tr> <tr> <td>A</td> <td>APR 08/15</td> <td>EB</td> <td></td> <td></td> <td>ISSUED FOR APPROVAL</td> </tr> </tbody> </table>					REV.	DATE	BY:	CHK:	APP:	DESCRIPTION	1	JULY 06/15	EB			RE-IFC (ADJUSTED BUILDING HEIGHT AS BUILT)	0	JUN 01/15	EB			ISSUED FOR CONSTRUCTION	B	APR 23/15	EB			RE-ISSUED FOR APPROVAL	A	APR 08/15	EB			ISSUED FOR APPROVAL	<p>ISSUED FOR CONSTRUCTION</p> <p>SIGNED: _____</p> <p>DATE: _____</p> <p>W.C.: _____</p> <p>S/N: _____</p>		<p>P.O. BOX 6280, INNISFAIL, AB T4G 1S9 PH: (403) 227-4100 FAX: (403) 227-4102</p>		<p>ENCANA CORPORATION c/o PIONEER ENGINEERING LTD TEST SEPARATOR 36" OD x 10' S/S, 1440 PSIG SOUR SERVICE</p> <p>GENERAL ARRANGEMENT - END VIEW</p>			
					REV.	DATE	BY:	CHK:	APP:	DESCRIPTION																																
1	JULY 06/15	EB			RE-IFC (ADJUSTED BUILDING HEIGHT AS BUILT)																																					
0	JUN 01/15	EB			ISSUED FOR CONSTRUCTION																																					
B	APR 23/15	EB			RE-ISSUED FOR APPROVAL																																					
A	APR 08/15	EB			ISSUED FOR APPROVAL																																					
DRAWING REVISIONS					ALL DIMENSIONS IN INCHES		<p>PROJECTION: </p> <p>SCALE: AS NOTED</p> <p>WEIGHT: (APPROX LBS)</p>		<p>DWN: EB CHK: </p> <p>DATE: APRIL 06/15 DATE: JUL 07 2015 DATE: JUL 07 2015</p> <p>SHEET: 4 OF 5 DWG: 09359-001-G-000 REV: 1</p>																																	



ORIGINAL

REV.	DATE	BY:	CHK:	APP:	DESCRIPTION
1	JULY 06/15	EB	<i>EB</i>	<i>EB</i>	RE-IFC (ADJUSTED BUILDING HEIGHT AS BUILT)
0	JUN 01/15	EB			ISSUED FOR CONSTRUCTION
B	APR 23/15	EB			RE-ISSUED FOR APPROVAL
A	APR 08/15	EB			ISSUED FOR APPROVAL

DRAWING REVISIONS

ISSUED FOR CONSTRUCTION

SIGNED: _____

DATE: _____

W.O.: _____

S.N.: _____

ALL DIMENSIONS IN INCHES

NWP
INDUSTRIES LP

P.O. BOX 6280, INNISFAIL, AB T4G 1S9
PH: (403) 227-4100 FAX: (403) 227-4102

PROJECTION:

SCALE: AS NOTED

WEIGHT: (APPROX. LBS.)

ENCANA CORPORATION c/o PIONEER ENGINEERING LTD
TEST SEPARATOR
36" OD x 10' S/S, 1440 PSIG
SOUR SERVICE

GENERAL ARRANGEMENT - END VIEW

DWN:	EB	CHK:	<i>EB</i>	APP:	<i>EB</i>
DATE:	APRIL 06/15	DATE:	JUL 07 2015	DATE:	JUL 07 2015
SHEET:	5 OF 5	DWG:	09359-001-G-000	REV:	1