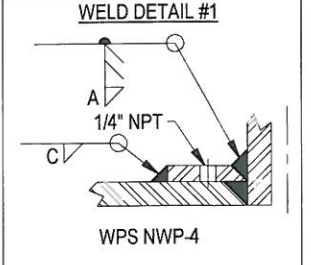
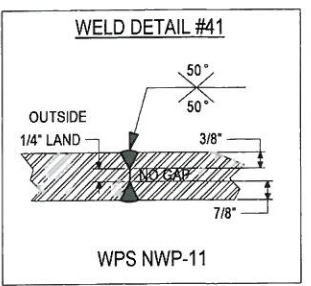


NOZZLE SCHEDULE												
MARK	SIZE	SCH	CLASS	TYPE	SERVICE	WELD	WELD SIZE			PROJECTION		REPAD THK
							A	B	C	D (I/S)	O/S	
N1	4"	1"	600	RFLWN	GAS INLET	4	3/8"	-	-	1 3/4" MIN	6"	-
N2	4"	1"	600	RFLWN	GAS OUTLET	4	3/8"	-	-	1 3/4" MIN	SPEC	-
N3	3"	XXS	600	RFWN	DRAIN	1.5	3/8"	-	7/8"	GRIND FLUSH	SPEC	1.125
N4	3"	.8125"	600	RFLWN	WATER OUTLET	4	5/8"	-	-	1 5/8" MIN	6"	-
N5	2"	160	600	RFWN	CONDENSATE OUT	3.5	3/8"	-	-	-	6"	-
N6	3"	.8125"	600	RFLWN	BRIDLE	4	5/8"	-	-	1 5/8" MIN	6"	-
N7	3"	.8125"	600	RFLWN	BRIDLE	4	5/8"	-	-	1 5/8" MIN	6"	-
N8A/B	2"	160	600	RFWN	WATER GAUGE GLASS	3.5	3/8"	-	-	-	6"	-
N9A/B	2"	160	600	RFWN	CONDENSATE GAUGE GLASS	3.5	3/8"	-	-	-	6"	-
N10	4"	1"	600	RFLWN	LEVEL SWITCH HIGH	4	3/8"	-	-	1 3/4" MIN	6"	-
N11	4"	1"	600	RFLWN	LEVEL SWITCH LOW	4	3/8"	-	-	1 3/4" MIN	6"	-
N12	4"	1"	600	RFLWN	INSPECTION	4	3/8"	-	-	1 3/4" MIN	6"	-
N13	4"	1"	600	RFLWN	INSPECTION	4	3/8"	-	-	1 3/4" MIN	6"	-
N14	2"	160	600	RFWN	PSV	3.5	3/8"	-	-	-	6"	-
N15	2"	160	600	RFWN	TEMPERATURE INDICATOR	3.5	3/8"	-	-	-	6"	-
N16	2"	160	600	RFWN	PRESSURE INDICATOR	3.5	3/8"	-	-	-	6"	-
N17	3"	.8125"	600	RFLWN	LC CONDENSATE (FUTURE)	4	5/8"	-	-	1 5/8" MIN	6"	-
N18	3"	.8125"	600	RFLWN	LC WATER (FUTURE)	4	5/8"	-	-	1 5/8" MIN	6"	-

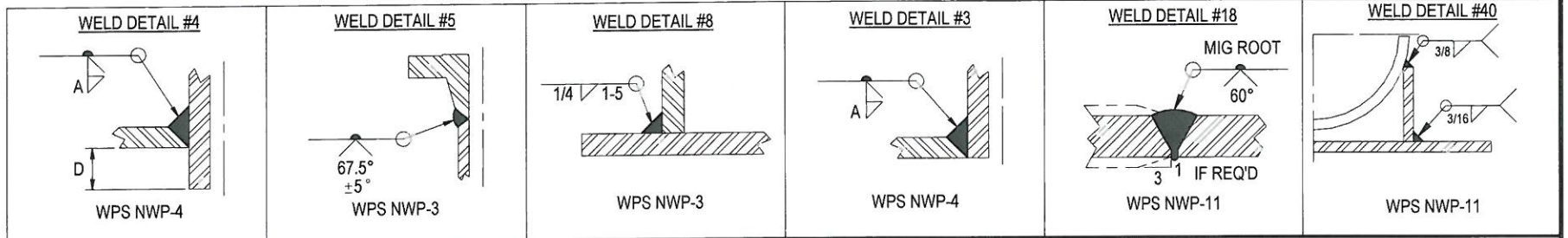
ORIGINAL

- GENERAL NOTES**
1. QUALITY CONTROL PROGRAM NUMBER: AQP-1253
 2. WELDING PROCEDURE REGISTRATION NUMBER: WP-1604.2
 3. ALL DIMENSIONS ARE REFERENCED FROM DATUM UNLESS NOTED OTHERWISE.
 4. HEAT NUMBER MUST BE STAMPED ON ALL WELD PIPE/FITTINGS AND PLATE.
 5. EXPOSED INSIDE EDGES OF NOZZLES OR OPENINGS SHALL BE ROUNDED PER UG-76c.
 6. VESSEL TO BE CLEANED WITH ALL OPENINGS PLUGGED BEFORE SHIPMENT.
 7. WEAR PADS TO HAVE A 1/4" NPT WEEP HOLE AT LOWEST POINT.
 8. ALL BOLT HOLES TO STRADDLE COMMON CENTERLINE.
 9. SURFACE PREPARATION: HAND TOOL CLEAN (MINIMUM).
 10. USE WELDING PROCEDURE NWP-3, NWP-4 & NWP-11 FOR ALL TACK WELDS.
 11. HOT FORMED HEADS REQUIRED PER UCS-79d IF EXTREME FIBER ELONGATION EXCEEDS 5%.
 12. VESSEL ACCEPTABLE TO HYDRO TEST AS PKG TO 2160 PSIG.
 13. USE WPS NWP-11 FOR LONG AND CIRC SEAMS
 14. TABLE 4 OF ECA-GEN-S-10

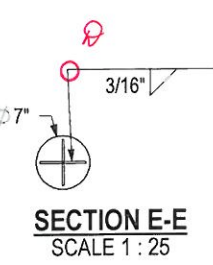
STANDARD TOLERANCES	
FABRICATION:	GENERAL DEVIATION: ±1/8"
	OVERALL LENGTH: ±1/4"
	ANGULAR: ±1°
WELD PREPARATION:	LAND: 1/16" ±1/32"
	ROOT GAP: 1/8" ±1/16"
	ANGULAR: ±15°



VESSEL DESIGN DATA	
DESIGN AND FABRICATE TO:	ASME SECTION VIII, DIVISION 1, 2013 EDITION
CUSTOMER SPECIFICATIONS:	PRESSURE VESSEL ECA-VESL-S-01 REV 1.2
MAX. ALLOWABLE WORKING PRESSURE (MAWP):	1440 PSIG
DESIGN TEMPERATURE:	130 °F
MIN. DESIGN METAL TEMPERATURE (MDMT):	-20 °F @ 1440 PSIG
IMPACT TEST:	EXEMPT PER UG-20f 1-5, UCS-66a, UCS 66b (FIG UCS-66.1), UCS-66g AND FLANGES PER UCS-66c
RADIOGRAPHY:	FULL PER UW-11a CIRC & LONG SEAMS / 100% ABC BUTT WELDS
OTHER NDE:	CAT "D" WELDS SEE NOTE 14
POST WELD HEAT TREATMENT:	1150 °F ±25 °F FOR 90 MINUTES
HYDROSTATIC TEST PRESSURE:	1874 PSIG FOR 60 MIN.
CORROSION ALLOWANCE:	1/8"
PRE-HEAT:	200 °F
HEAD THICKNESS:	1.5" NOM (1.4375" MIN)
WEIGHT EMPTY:	8,575 LBS.
WEIGHT FULL:	12,750 LBS.
CAPACITY:	66.82 CU.FT.
QUALITY CONTROL PROGRAM:	AQP-1253
WELDING PROCEDURE REGISTRATION NO.:	WP-1604.2
WELD PROCEDURE:	NWP-3, NWP-4, NWP-11
SERVICE:	SOUR HYDROCARBONS
CRN NO.:	U8943.21
DESIGN REGISTRATION DRAWINGS:	2778-01A & B REV 3
REFERENCE CALCULATIONS:	4672-2778 R1, 36-2-1440-2778 REV 1



SEPARATION CHART				
SIZE	2" PIPE	3" PIPE	3" LWN	4" LWN
2" PIPE	16 1/2"	7 1/2"	7 1/4"	9 1/4"
3" PIPE	7 1/2"	8 1/2"	8 1/4"	10 1/4"
3" LWN	7 1/4"	8 1/4"	8"	10"
4" LWN	9 1/4"	10 1/4"	10"	11 7/8"



REV.	DATE	BY:	CHK:	APP:	DESCRIPTION
1	APR 27/15	EB			RE-IFC (RAISED N11, N13)
0	APR 23/15	EB			ISSUED FOR CONSTRUCTION
A	APR 16/15	EB			ISSUED FOR APPROVAL

ISSUED FOR CONSTRUCTION

SIGNED: _____

DATE: _____

W.O.: _____

S/N: _____

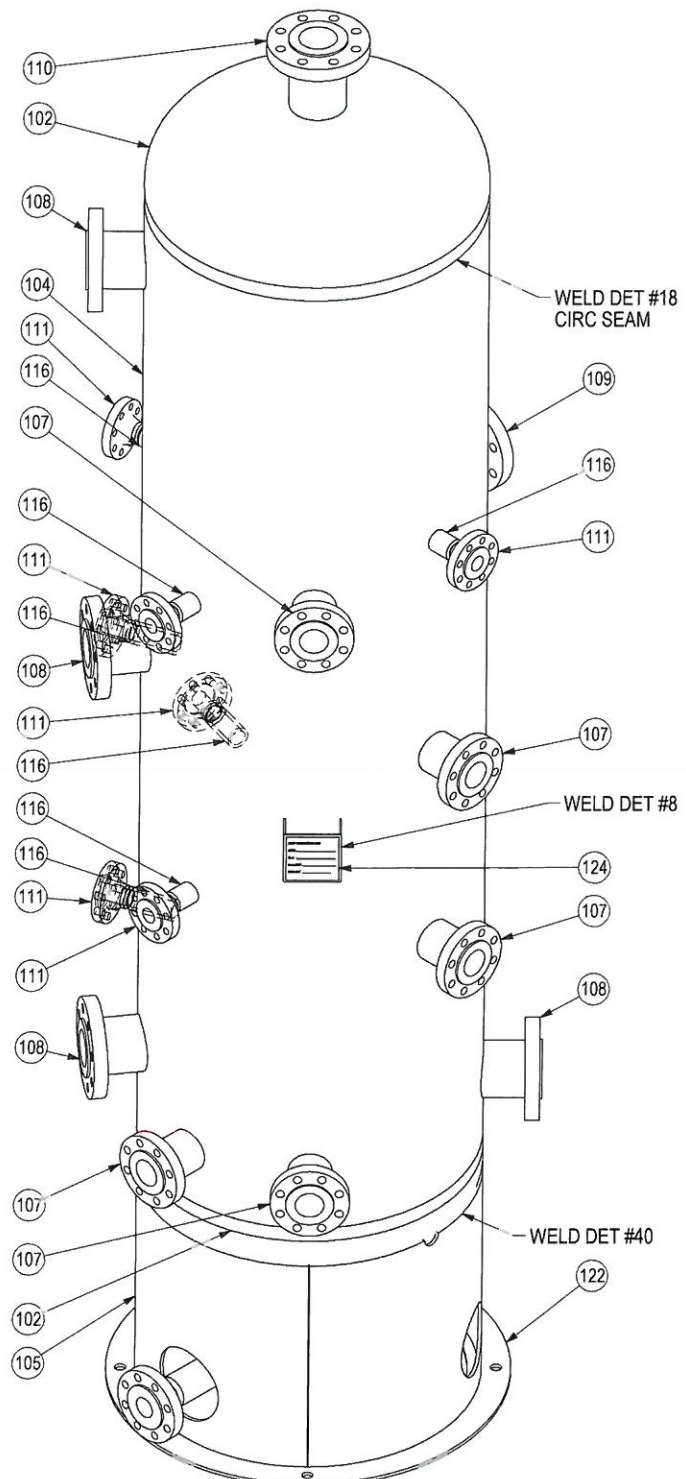
ALL DIMENSIONS IN INCHES

NWP INDUSTRIES LP

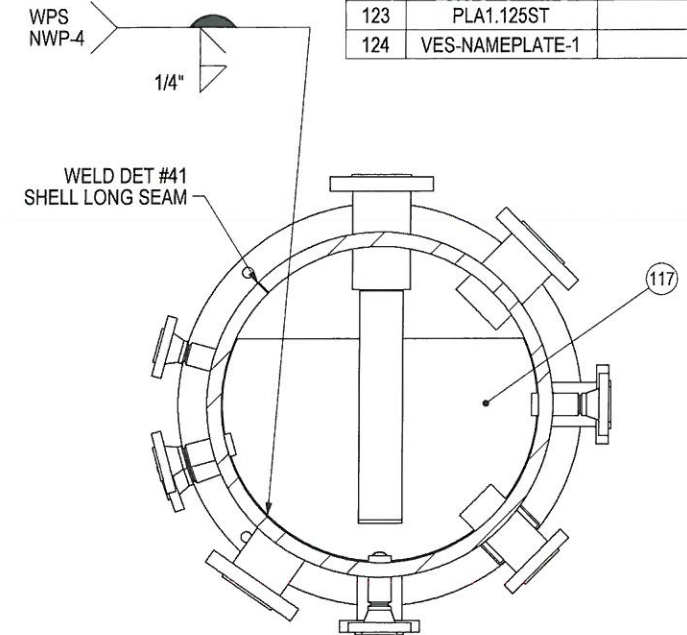
P.O. BOX 6280, INNISFAIL, AB T4G 1S9
 PH: (403) 227-4100 FAX: (403) 227-4102

PROJECTION: SCALE: AS NOTED

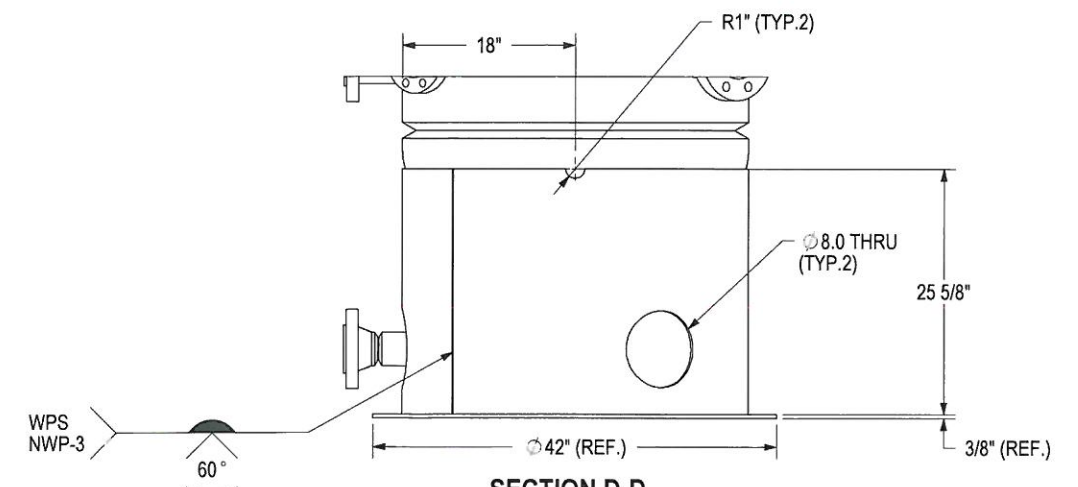
ENCANA CORPORATION c/o PIONEER ENGINEERING LTD.			
TEST SEPARATOR			
36" OD x 10' S/S, 1440 PSIG			
SOUR SERVICE			
VESSEL 36" OD x 10' S/S			
DWN:	EB	CHK:	APP:
DATE:	APRIL 15/15	DATE:	APR 28 2015
SHEET:	1 OF 3	DWG:	09359-001-A-100
REV:			1



ISOMETRIC VIEW
SCALE: 1:20



SECTION C-C
SCALE 1:20



SECTION D-D
SCALE 1:20

ITEM	PART #	DRAWING #	DESCRIPTION	MATERIAL	SIZE	QTY	MTR #
101	BRACKET-NAME-1B	NWPL-00004	TANK/VESSEL NAME PLATE BRACKET 6" x 6" x 3" DEEP 1/4" THICK	SA-516-70N		1	
102	BUY		HEAD: 36" O.D. x 1.5" THK NOM (1.4375" MIN) 2:1 SE c/w 2" SF	SA-516-70N		2	
103	BUY		MISTEX PAD 6" THK 316 SS 9 LBS/FT3 33" OD	316 SS		1	
104	BUY		SHELL PLATE: 1 1/2" THK ROLL TO 36" O.D.	SA-516-70N	120"	1	
105	BUY		VESSEL SKIRT 3/8" PLATE ROLLED TO 36" OD x 25 5/8" H	SA-516-70N		1	
106	ELBBW90L3XXSBL		ELBOW: 3" 90 DEG LR BW XXS WT	SA-420-WPL6		1	
107	FRFLW3(10)CA		FLANGE 3" x 10" LG 600 ANSI (0.8125" WT) RFLWN	SA105N		5	
108	FRFLW4(10)CA		FLANGE 4" x 10" LG 600 ANSI (1" WT) RFLWN	SA105N		4	
109	FRFLW4(12)CA		FLANGE 4" x 12" LG 600 ANSI (1" WT) RFLWN	SA105N		1	
110	FRFLW4(12)CAL		FLANGE 4" x 12" LG 600 ANSI (1" WT) RFLWN	SA350LF2-CL1		1	
111	FRFWN2C160A		Flange 2" 600 ANSI S/160 RFWN	SA-105N		8	
112	FRFWN3CXXSA		Flange 3" 600 ANSI S/XXS RFWN	SA-105N		1	
113	PIP3XXSCL		PIPE: 3" NOM SCH XXS BE x PE	SA-333-GR6 SMLS	8 13/16"	1	
114	PIP3XXSCL		PIPE: 3" NOM SCH XXS BBE	SA-333-GR6 SMLS	15 3/4"	1	
115	PIP480CL		PIPE: 4" NOM SCH 80 BE x PE	SA-333-GR6 SMLS	24"	1	
116	PIP2160CL		PIPE: 2" NOM SCH 160 BE x PE	SA-333-GR6 SMLS	5"	8	
117	PLA.25R		FLOAT HOOD PLATE 1/4" THK	SA-516-70N	32 3/4" x 24"	1	
118	PLA.25R	NWPL-00058	PLATE: 1/4" THK x 3" - VB FOR 3" NPS NOZZLE	SA-516-70N	6"	2	
119	PLA.25R		VESSEL MISTEX PLATE 1/4" THK	SA-516-70N		2	
120	PLA.375R		PLATE: 3/8" x 2 1/4"	SA-516-70N	4 1/2"	1	
121	PLA.375R		PLATE: 3/8" x 6"	SA-516-70N	6"	1	
122	PLA.375ST		BASE PLATE 3/8" THK x 42" OD x 33" ID	SA-36/44W		1	
123	PLA1.125ST		RE-PAD 1 1/8" THK x 9" OD x 3 5/8" ID (FORMED TO FIT 36" OD VESSEL HEAD) c/w 1/4" NPT WEEP HOLE	SA-516-70N	-	1	
124	VES-NAMEPLATE-1		VESSEL NAME PLATE: BLACK/SILVER	ALUMINUM		1	

ORIGINAL

REV.	DATE	BY:	CHK:	APP:	DESCRIPTION
1	APR 27/15	EB			RE-IFC (RAISED N11, N13)
0	APR 23/15	EB			ISSUED FOR CONSTRUCTION
A	APR 16/15	EB			ISSUED FOR APPROVAL

DRAWING REVISIONS

ISSUED FOR CONSTRUCTION

SIGNED: _____

DATE: _____

W.O.: _____

S/N: _____

ALL DIMENSIONS IN INCHES

NWP INDUSTRIES LP

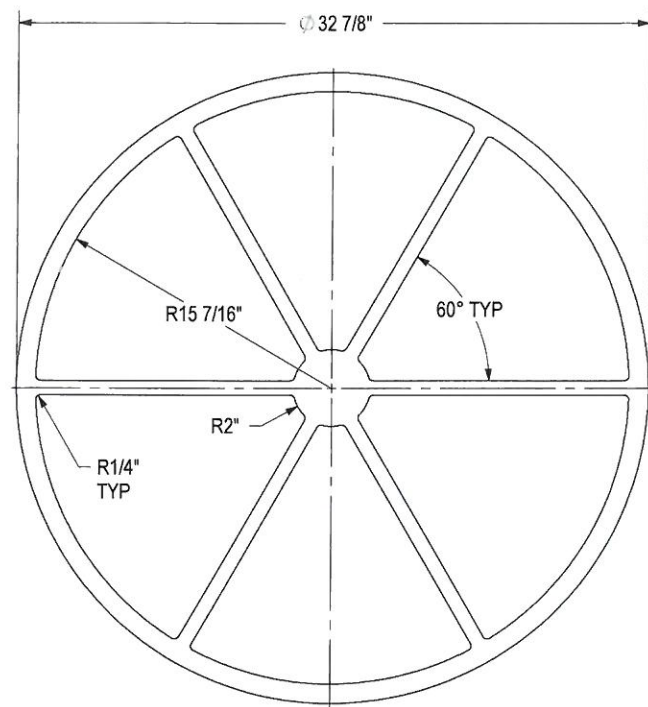
P.O. BOX 6280, INNISFAIL, AB T4G 1S9
PH: (403) 227-4100 FAX: (403) 227-4102

PROJECTION: SCALE: AS NOTED
WEIGHT: (APPX) (LBS)

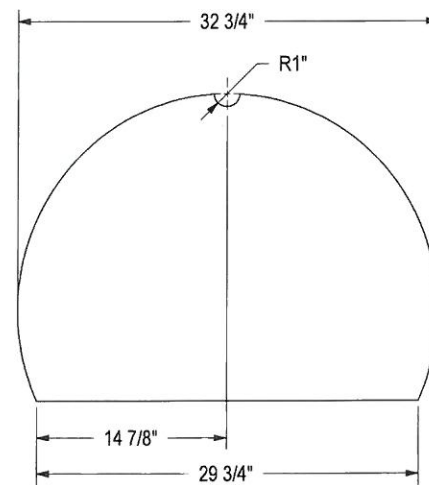
ENCANA CORPORATION c/o PIONEER ENGINEERING LTD.
TEST SEPARATOR
36" OD x 10' S/S, 1440 PSIG
SOUR SERVICE

VESSEL 36" OD x 10' S/S

DWN: EB	CHK:	APP:
DATE: APRIL 15/15	DATE: APR 28 2015	DATE: APR 28 2015
SHEET: 2 OF 3	DWG: 09359-001-A-100	REV: 1



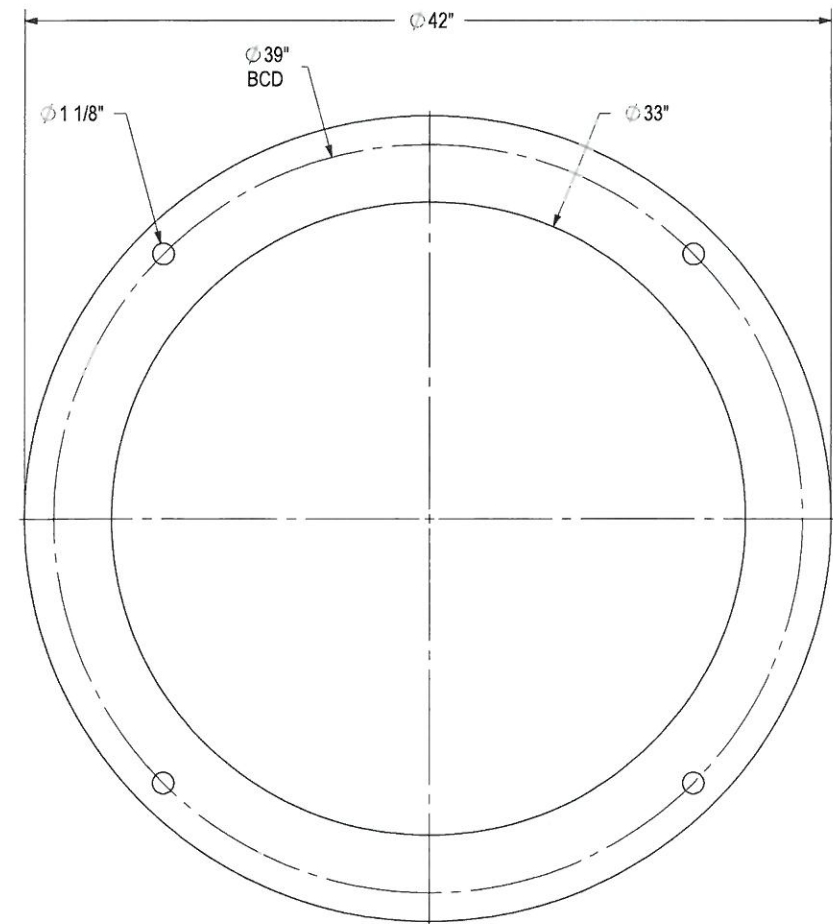
DETAIL ITEM # 119
SCALE: 1:10



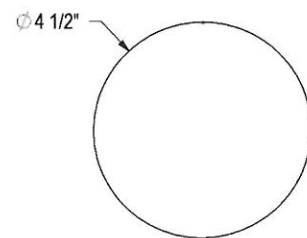
PLAN VIEW
ITEM# 117
SCALE: 1:15



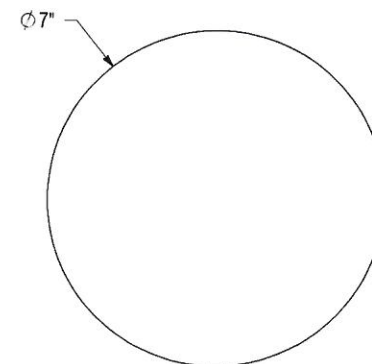
FRONT VIEW
ITEM# 117
SCALE: 1:15



DETAIL ITEM # 122
SCALE: 1:10



DETAIL ITEM # 120
SCALE: 1:4
QTY=1



DETAIL ITEM # 121
SCALE: 1:4
QTY=1

ORIGINAL

REV.	DATE	BY:	CHK:	APP:	DESCRIPTION
1	APR 27/15	EB	EB	EB	RE-IFC (RAISED N11, N13)
0	APR 23/15	EB			ISSUED FOR CONSTRUCTION
A	APR 14/15	EB			ISSUED FOR APPROVAL

DRAWING REVISIONS

ISSUED FOR CONSTRUCTION

SIGNED: _____
DATE: _____
W.O.: _____
S/N: _____

ALL DIMENSIONS IN INCHES

NWP INDUSTRIES LP

P.O. BOX 6280, INNISFAIL, AB T4G 1S9
PH: (403) 227-4100 FAX: (403) 227-4102

PROJECTION:

SCALE: AS NOTED

WEIGHT: (NWP) (X) (LBS)

ENCANA CORPORATION c/o PIONEER ENGINEERING LTD.					
TEST SEPARATOR					
36" OD x 10' S/S, 1440 PSIG					
SOUR SERVICE					
VESSEL 36" OD x 10' S/S DETAILS					
DWN:	EB	CHK:	EB	APP:	EB
DATE:	APRIL 15/15	DATE:	APR 28 2015	DATE:	APR 28 2015
SHEET:	3 OF 3	DWG:	09359-001-A-100	REV:	1