





Date and Time Saved: 2014-07-31, 3:05 PM

BILL OF MATERIALS			
ITEM	QTY.	DESCRIPTION	SUPPLIER
1	1	SYTEC ENCLOSURE - WALL INSERT NEMA TYPE 4, ALUMINUM C/W BACK PANEL & DATA POCKET ENCLOSURE DIMENSIONS - 1422mmH x 910mmW x 508mmD BACK PANEL DIMENSIONS - 1345mmH x 390mmW	PNL. CONTRACTOR
2	1	SCADAPACK 32 SYSTEM C/W 5604 MODULE & 2 AO OPTION - P4A	PNL. CONTRACTOR
3	1	SCHNEIDER 5506 ANALOG INPUTS EXPANSION MODULE	PNL. CONTRACTOR
4	1	SCHNEIDER 5606 ANALOG/DIGITAL I/O EXPANSION MODULE	PNL. CONTRACTOR
5	1	MDS SD4 RADIO C/W WIRING HARNESS	OWNER
6	1	MDS SD4 RADIO ANTENNA	OWNER
7	1	HORIZONTAL MOUNTING BRACKET FOR RADIO	PNL. CONTRACTOR
8	1	POLYPHASE JUMPER FROM RADIO TO CABINET	PNL. CONTRACTOR
9	1	POLYPHASE LIGHTNING ARRESTOR - IS-B50LN-C2	PNL. CONTRACTOR
10	1	DB-25 TO RJ-45 COMMUNICATION CABLE	PNL. CONTRACTOR
11	2	DB-9 TO RJ-45 COMMUNICATION CABLE	PNL. CONTRACTOR
12	A/R	WEIDMULLER WSI 4/2 FUSE HOLDER C/W SAND FILLED FUSE - #1880430000	PNL. CONTRACTOR
13	A/R	WEIDMULLER WSI 6 LD FUSE TERMINAL/LED C/W SAND FILLED FUSE - #1119840000	PNL. CONTRACTOR
14	A/R	WEIDMULLER WSI 6 FUSE TERMINAL C/W SAND FILLED FUSE - #1011000000	PNL. CONTRACTOR
15	A/R	WEIDMULLER WTR 4 DISCONNECT TERMINAL - #7910180000	PNL. CONTRACTOR
16	A/R	WEIDMULLER WTR 2.5 DISCONNECT TERMINAL - #1855610000	PNL. CONTRACTOR
17	A/R	WEIDMULLER WDU 4 FEED THROUGH TERMINAL - #1020100000	PNL. CONTRACTOR
18	A/R	WEIDMULLER WDU 2.5 FEED THROUGH TERMINAL - #1020000000	PNL. CONTRACTOR
19	A/R	WEIDMULLER WPE 2.5 GROUND BLOCK - #1010000000	PNL. CONTRACTOR
20	A/R	WEIDMULLER TS-35 TERMINAL RAIL ASSEMBLY C/W END CLAMPS - #9540000000	PNL. CONTRACTOR
21	A/R	WEIDMULLER Scht 5 GROUP TAG CARRIER - #0292460000	PNL. CONTRACTOR
22	1	WEIDMULLER PANEL MOUNT CONNECTOR - #1664060000	PNL. CONTRACTOR
23	A/R	WEIDMULLER WAP 2.5-10 END PLATE - #1050000000	PNL. CONTRACTOR
24	A/R	WEIDMULLER WEW 35/2 END STOP - #1061200000	PNL. CONTRACTOR
25	1	24VDC RELAY 4 POLE - OMRON #MY4H-USDC24 C/W PYF1HA-E BASE	PNL. CONTRACTOR
26	11	24V DC RELAY - MRS 24VDC 1 CO - WEIDMULLER #8967350000 C/W 2-POLE RED JUMPER #1793950000 & 2-POLE BLUE JUMPER #1793960000	PNL. CONTRACTOR
27	A/R	DIODE #1N4007	PNL. CONTRACTOR
28	A/R	PVC WIRE DUCT 50mmW x 100mmD DC=WHITE	PNL. CONTRACTOR
29	A/R	PVC WIRE DUCT 50mmW x 100mmD INTRINSICALLY SAFE=BLUE	PNL. CONTRACTOR
30	1	IS BARRIER MTL 5513	PNL. CONTRACTOR
31	1	ENCLOSURE VENT	PNL. CONTRACTOR
32	1	ESD PUSHBUTTON - RED, MUSHROOM HEAD, 1 N.C. SEALED CONTACT, MAINTAINED, 30.5mm DIA., ALLEN BRADLEY CAT# 800H-FRXT6D2P	PNL. CONTRACTOR
33	1	ALLEN-BRADLEY 800H-AR2 30.5mm TYPE 4/4X1/3 MOMENTARY CONTACT PB 2 N.O. STACKABLE CONTACTS SEALD SWITCH (800T-XA2Y)	PNL. CONTRACTOR
34	2	STAHL PUSHBUTTON, 1 NO, EXPLOSION PROOF STH 8082/1-2-00	PNL. CONTRACTOR
35	A/R	GROUND BAR	PNL. CONTRACTOR
36	1	ISOLATED GROUND LUG FOR INTRINSICALLY SAFE CIRCUITS	PNL. CONTRACTOR
37	1	NAMEPLATE - CSA OR EQUAL APPROVAL CLASS 1 ZONE 2 AS AN ASSEMBLY	PNL. CONTRACTOR
38	1	STROBE LIGHT - 24VDC - BLUE	PNL. CONTRACTOR
39	1	GLOBAL THERMOELECTRIC 5050 TEG MODEL 5050N-24-SI-SO-FA	OWNER
40	4	BATTERY, 110AH - MAGNA-CHARGE CAT #SLA12-100	OWNER
41	1	MOUNTABLE UTILITY BOX - WEIDMULLER #7914760001	PNL. CONTRACTOR

NAMEPLATE LIST: ADHESIVE BACK C/W TWO (2) FASTENING SCREWS.			
N/P	ENGRAVING	SIZE	COLOUR
AA	RTU CONTROL PANEL	A/R	BLACK LETTERING ON WHITE BACKGROUND
BB	ENTRY BY AUTHORIZED PERSONNEL ONLY	A/R	WHITE LETTERING ON RED BACKGROUND
CC	SITE ESD HS-1001	A/R	WHITE LETTERING ON RED BACKGROUND
DD	STROBE TEST HS-1002	A/R	BLACK LETTERING ON WHITE BACKGROUND
EE	LOW VOLTAGE RESET HOLD FOR 10 SECONDS TO RESET HS-1003	A/R	BLACK LETTERING ON WHITE BACKGROUND
FF	WARNING DO NOT PENETRATE ON THE CLASS I ZONE 1 SIDE OF THIS ENCLOSURE	A/R	WHITE LETTERING ON RED BACKGROUND
GG	WARNING EXPLOSION HAZARD DO NOT DISCONNECT EQUIPMENT UNLESS POWER SOURCE HAS BEEN DISCONNECTED AND THE AREA IS PROVEN TO BE NON-HAZARDOUS	A/R	WHITE LETTERING ON RED BACKGROUND
HH	WARNING EXPLOSION HAZARD DO NOT CONNECT OR DISCONNECT BATTERIES UNLESS THE AREA IS PROVEN TO BE NON-HAZARDOUS	A/R	WHITE LETTERING ON RED BACKGROUND
JJ	WARNING EXPLOSION HAZARD SUBSTITUTION OF COMPONENTS MAY IMPAIR SUITABILITY FOR CLASS I, ZONE 2	A/R	WHITE LETTERING ON RED BACKGROUND
KK	WARNING REPLACEMENT FUSES MUST BE SAND-FILLED AND OF THE SAME TYPE AND RATING AS ORIGINAL	A/R	WHITE LETTERING ON RED BACKGROUND
LL	SITE ESD RESET HS-1004 HOLD FOR 10 SECONDS TO RESET ESD LOOP	A/R	BLACK LETTERING ON WHITE BACKGROUND

PLotted: 7/31/2014, 3:06:55 PM, BY: WILLIAM CHEN  
Last Saved: 7/31/2014, 3:05:19 PM, BY: KACWNEC

\\encana\cadd\work\14\14-02-072-09 WEM Oil WellSite.dwg

REFERENCE DRAWINGS	DWG. NO.	NO.	DATE	PROJECT DESCRIPTION	PROJ.	AFE	EPCM Co.	EPCM No.	APP.
		1	2014-07-31	04-02-072-09 WEM OIL WELLSITE		14180828	SOLARIS	EN13-02273	

**CAUTION : READ BEFORE EXCAVATION**  
ALL EXCAVATIONS MUST BE CARRIED OUT AS PER  
"ENCANA'S GROUND DISTURBANCE PRACTICE"

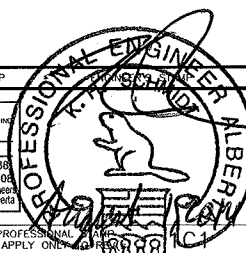
ISSUE STAGE	DATE	BY	CHKD.	APPD.
Prelim. (A)				
Bid (B)				
Constr. (C)	2014-07-31	W/A		
As-built (D)				

REV. NUMBER	IC1

PERMIT TO PRACTICE  
SOLARIS MANAGEMENT CONSULTANTS INC.

Signature: [Signature]  
Date: 2014-07-31  
PERMIT NUMBER: P07488  
MEMBER NUMBER: M70106  
The Association of Professional Engineers  
Geologists and Geophysicists of Alberta

PERMIT STAMP AND PROFESSIONAL SEAL  
AFFIXED ABOVE SHALL APPLY ONLY TO THIS PROJECT



**ISSUED FOR CONSTRUCTION**  
DATE: 2014-07-31

**encana.**

COMP. STN. 14-30  
14-30-071-08 W6M  
WELLSITE  
04-02-072-09 W6M  
NTS (A1 SIZE) EN13-02273

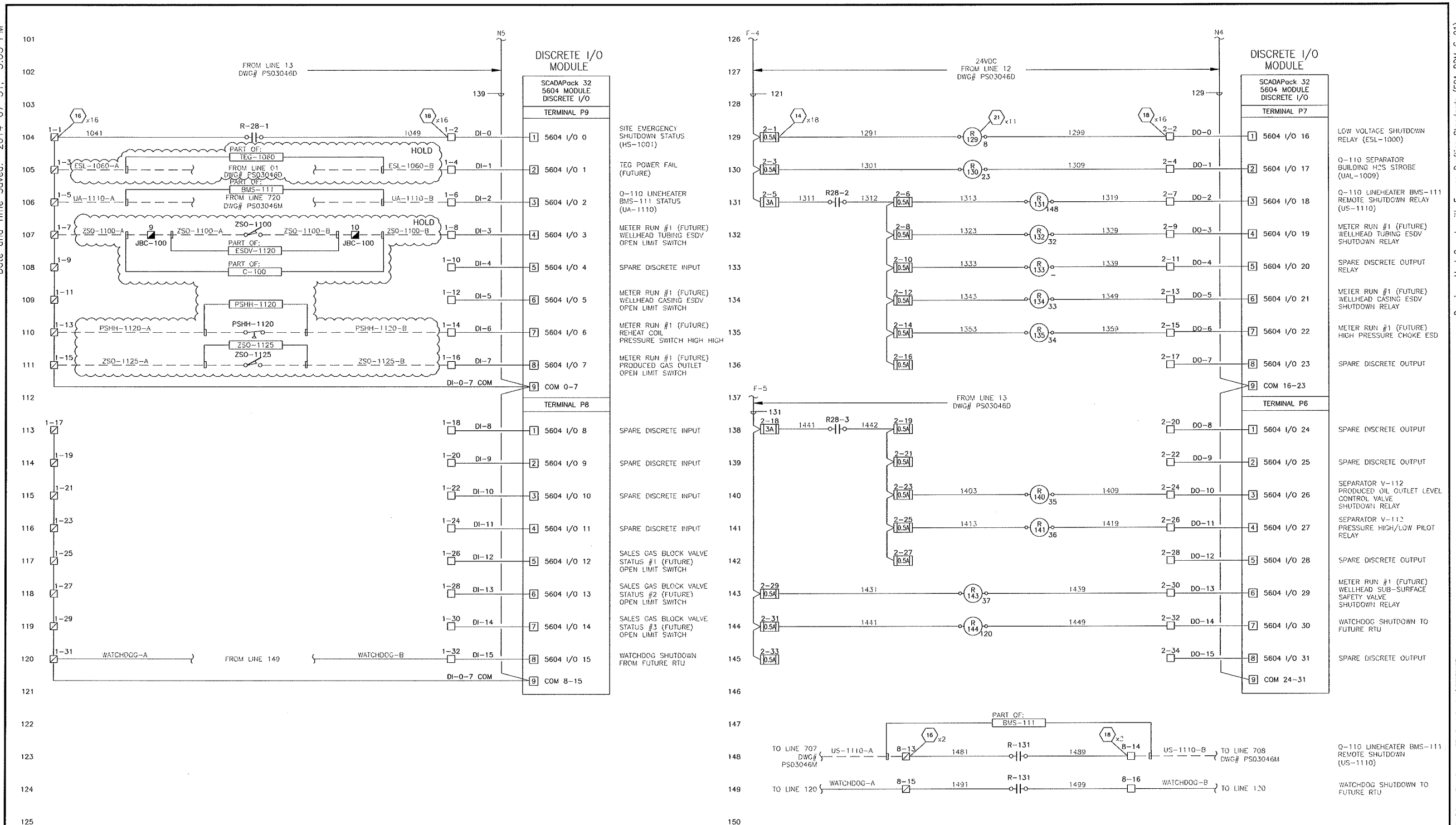
**SOLARIS MANAGEMENT CONSULTANTS INC.**  
RTU CONTROL PANEL BILL OF MATERIALS  
Q-110 SEPARATOR

PIPESTONE  
CLASS FILE NO. N PS03046C

Drawings Must Comply with Encana Drafting Standards (ECA-DDM-S-01)



Date and Time Saved: 2014-07-31, 3:05 PM



PLotted: 7/31/2014 3:06:04 PM BY: WILLIAM CHEN  
 LAST SAVED: 7/31/2014 3:05:24 PM BY: KLAWWEG

**CAUTION: READ BEFORE EXCAVATION**  
 ALL EXCAVATIONS MUST BE CARRIED OUT AS PER  
 "ENCANA'S GROUND DISTURBANCE PRACTICE"

REFERENCE DRAWINGS	DWG. NO.	NO.	DATE	PROJECT DESCRIPTION	PROJ.	AFE	EPCM Co.	EPCM No.	APPRO.
		1	2014-07-31	04-02-072-09 WEM OIL WELLSITE		14180828	SOLARIS	EN13-02273	

ISSUE STAGE	DATE	BY	CHKD.	APPD.
Prelim. (A)				
Bid (B)				
Constr. (C)	2014-07-31	W/		
As-built (D)				

**PERMIT TO PRACTICE**  
 SOLARIS MANAGEMENT CONSULTANTS INC.  
 Signature: [Signature]  
 Date: 2014-07-31  
 PERMIT NUMBER: P07488  
 MEMBER NUMBER: M70108  
 The Association of Professional Engineers  
 Geologists and Geophysicists of Alberta

**ISSUED FOR CONSTRUCTION**  
 DATE: 2014-07-31

**encana**

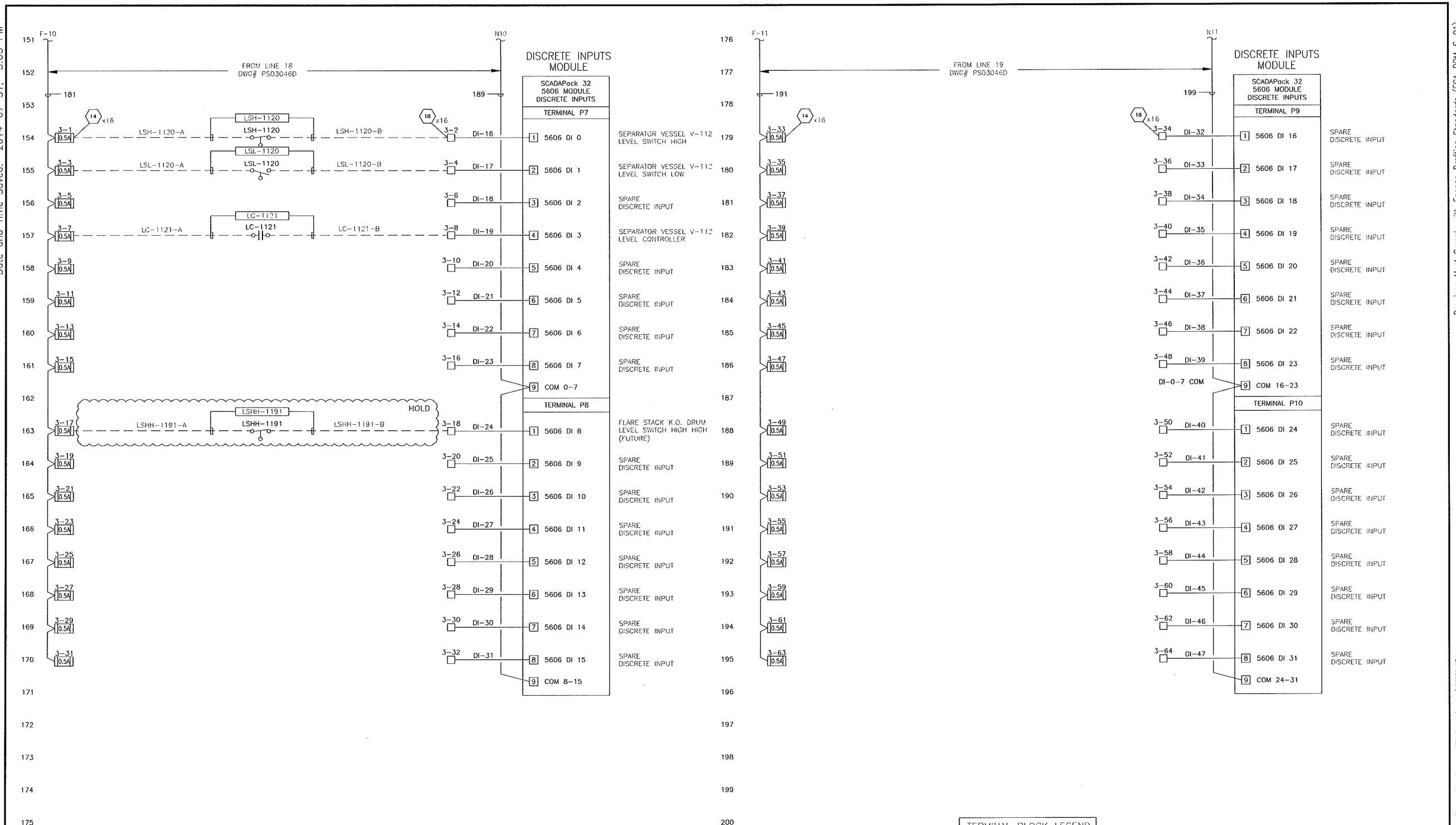
COMP. STN. 14-30  
 14-30-071-08 W6M  
 WELLSITE  
 04-02-072-09 W6M  
 NTS (A1 SIZE) EN13-02273

**SOLARIS MANAGEMENT CONSULTANTS INC.**  
 DISCRETE INPUTS - 5604 / DISCRETE OUTPUTS - 5604  
 Q-110 SEPARATOR

**PIPESTONE** CLASS FILE NO. PS03046E

Drawings Must Comply with Encana Drafting Standards (ECA-DDM-S-01)

Date and Time Saved: 2014-07-31, 3:05 PM



PLOTTED: 7/31/2014 3:06:08 PM BY: WILLIAM CHEN  
 LAST SAVED: 7/31/2014 3:05:27 PM BY: KLAGEWEC

REFERENCE DRAWINGS	DWG. NO.	NO.	DATE	PROJECT DESCRIPTION	PROJ.	AFE	EPCM Co.	EPCM No.	APPD.
		1	2014-07-31	04-02-072-09 WGM OIL WELLSITE		14180828	SOLARIS	EN13-02273	

ISSUE STAGE	DATE	BY	CHKD.	APPD.
Prelim. (A)				
Bid (B)				
Constr. (C)	2014-07-31	W. Chen		
As-built (D)				

REV NUMBER	IC1	DESCRIPTION
1		

**PERMIT TO PRACTICE**  
 SOLARIS MANAGEMENT CONSULTANTS INC.  
 Signature: *[Signature]*  
 Date: 2014-07-31  
 PERMIT NUMBER: P0748  
 MEMBER NUMBER: M701  
 The Association of Professional Engineers  
 Geologists and Geophysicists of Alberta

**TERMINAL BLOCK LEGEND**

- RTU PANEL FEED THROUGH TERMINAL
- RTU PANEL DISCONNECT TERMINAL
- RTU PANEL GROUND TERMINAL
- JUNCTION BOX TERMINAL
- TERMINALS ON HM-310
- PANEL B.O.M. CALL-UP
- RTU PANEL FUSED DC TERMINAL
- FIELD WIRING
- PANEL WIRING

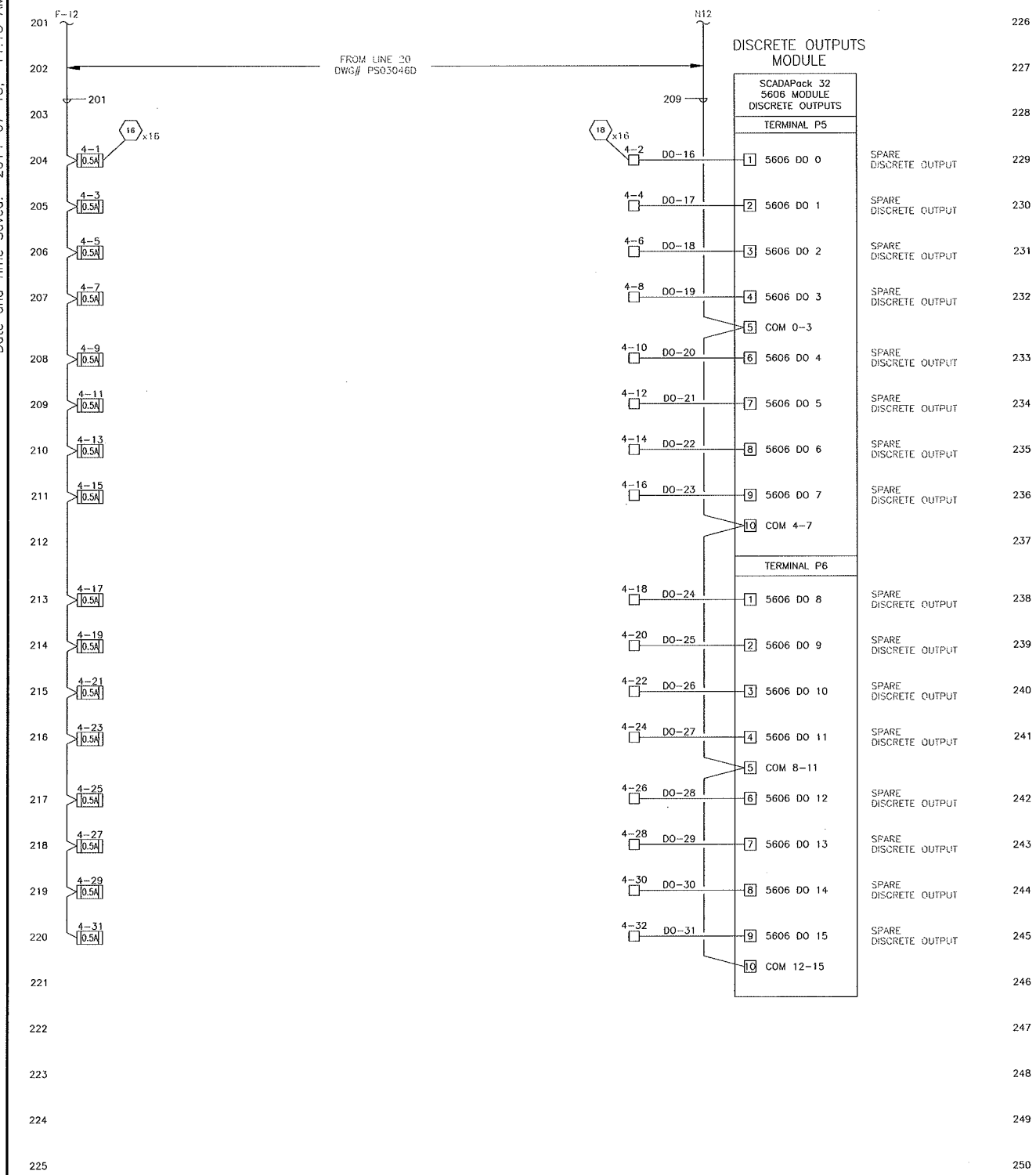
**ISSUED FOR CONSTRUCTION**  
 DATE: 2014-07-31

**encana**  
 COMP. STN. 14-30  
 14-30-071-08 W6M  
 WELLSITE  
 04-02-072-09 W6M  
 NTS (A1 SIZE) EN13-02273

**SOLARIS MANAGEMENT CONSULTANTS INC.**  
 TITLE: DISCRETE INPUTS - 5606  
 Q-110 SEPARATOR  
**PIPESTONE** CLASS: N FILE NO.: PS03046F

Drawings Must Comply with Encana Drafting Standards (ECA-DDM-S-01)

Date and Time Saved: 2014-07-15, 11:13 AM



PLotted: 7/31/2014 3:06:14 PM BY: WILLIAM CHEN  
 LAST SAVED: 7/31/2014 3:05:30 PM BY: KLAGEWEC

REFERENCE DRAWINGS	DWG. NO.

NO.	DATE (MM-DD-YY)	PROJECT DESCRIPTION	PROJ.	AFE	EPCM Co.	EPCM No.	APPD.
1	2014-07-31	04-02-072-09 WSM OIL WELL SITE			14180828	SOLARIS	EN13-02273

REV. NUMBER	IC1	ISSUE STAGE	DATE (MM-DD-YY)	BY	CHKD.	APPD.
		Prelim. (A)				
		Bid (B)				
		Constr. (C)	2014-07-31	WLM		
		As-built (D)				

PERMIT TO PRACTICE  
 SOLARIS MANAGEMENT CONSULTANTS INC.  
 Signature: *[Signature]*  
 Date: 2014-07-31  
 PERMIT NUMBER: P07488  
 MEMBER NUMBER: M70100  
 The Association of Professional Engineers  
 Geologists and Geophysicists of Alberta

TERMINAL BLOCK LEGEND

- RTU PANEL FEED THROUGH TERMINAL
- RTU PANEL DISCONNECT TERMINAL
- RTU PANEL GROUND TERMINAL
- JUNCTION BOX TERMINAL
- TERMINALS ON HM-310
- PANEL B.O.M. CALL-UP
- RTU PANEL FUSED DC TERMINAL
- FIELD WIRING
- PANEL WIRING

**encana.**

SOLARIS MANAGEMENT CONSULTANTS INC.  
 DISCRETE OUTPUTS - 5606  
 Q-110 SEPARATOR

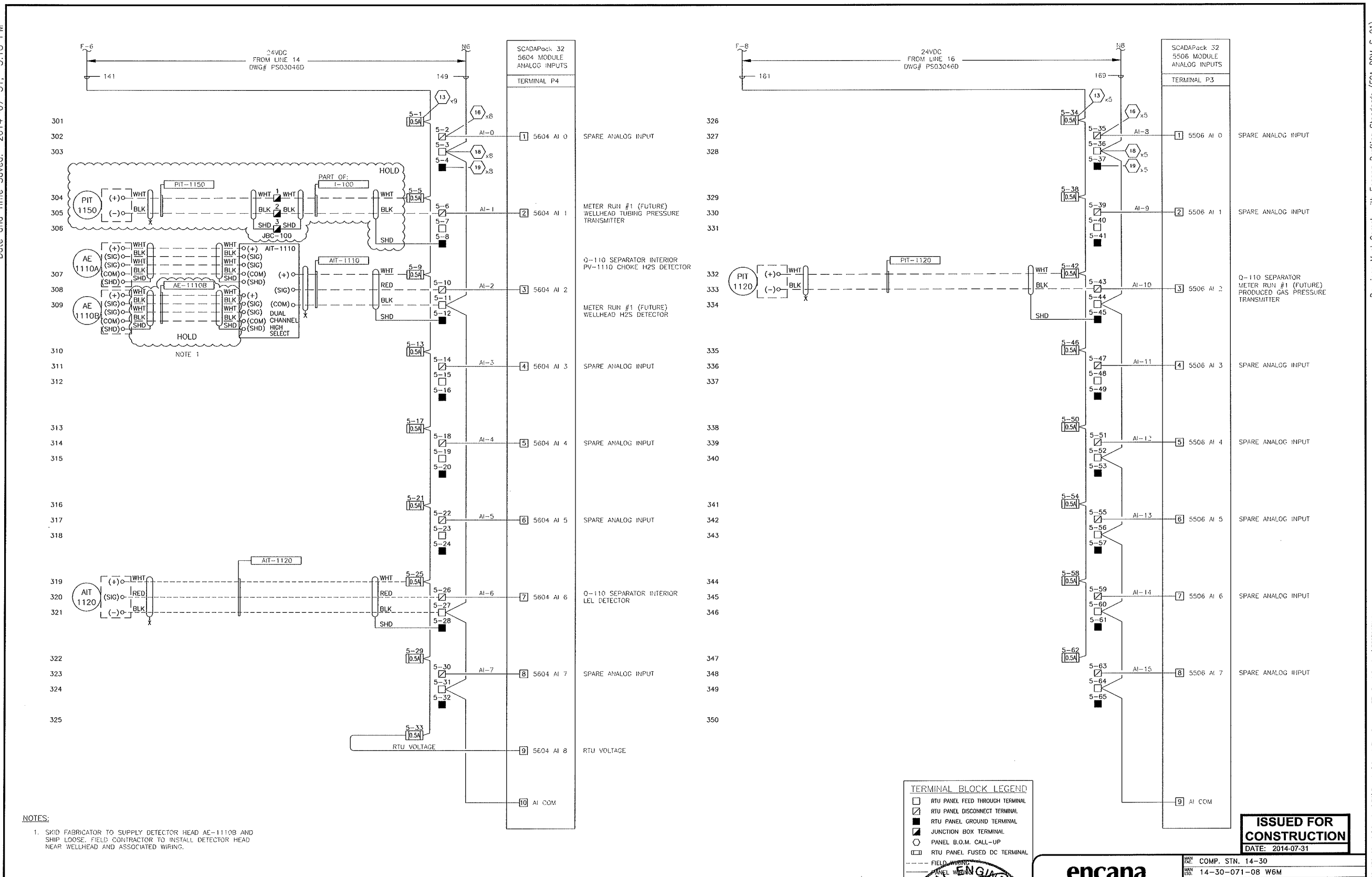
PIPESTONE

**ISSUED FOR CONSTRUCTION**  
 DATE: 2014-07-31

COMP. STN. 14-30  
 14-30-071-08 W6M  
 WELLSITE  
 04-02-072-09 W6M  
 NTS (A1 SIZE) EN13-02273

CLASS FILE NO.  
 N PS03046G

Date and Time Saved: 2014-07-31, 3:18 PM



**NOTES:**  
 1. SKID FABRICATOR TO SUPPLY DETECTOR HEAD AE-1110B AND SHIP LOOSE. FIELD CONTRACTOR TO INSTALL DETECTOR HEAD NEAR WELLHEAD AND ASSOCIATED WIRING.

**TERMINAL BLOCK LEGEND**

- RTU PANEL FEED THROUGH TERMINAL
- RTU PANEL DISCONNECT TERMINAL
- RTU PANEL GROUND TERMINAL
- JUNCTION BOX TERMINAL
- PANEL B.O.M. CALL-UP
- RTU PANEL FUSED DC TERMINAL
- FIELD WIRING

**ISSUED FOR CONSTRUCTION**  
 DATE: 2014-07-31

REFERENCE DRAWINGS	DWG. NO.	NO.	DATE	PROJECT DESCRIPTION	PROJ.	A/E	EPCM Co.	EPCM No.	APPD.	ISSUE STAGE	DATE	BY	CHKD.	APPD.	PERMIT STAMP
		1	2014-07-31	04-02-072-09 WEM OIL WELLSITE		14180828	SOLARIS	EN13-02273		Prelim. (A)					
										Constr. (C)	2014-07-31	WCH			
										As-built (D)					

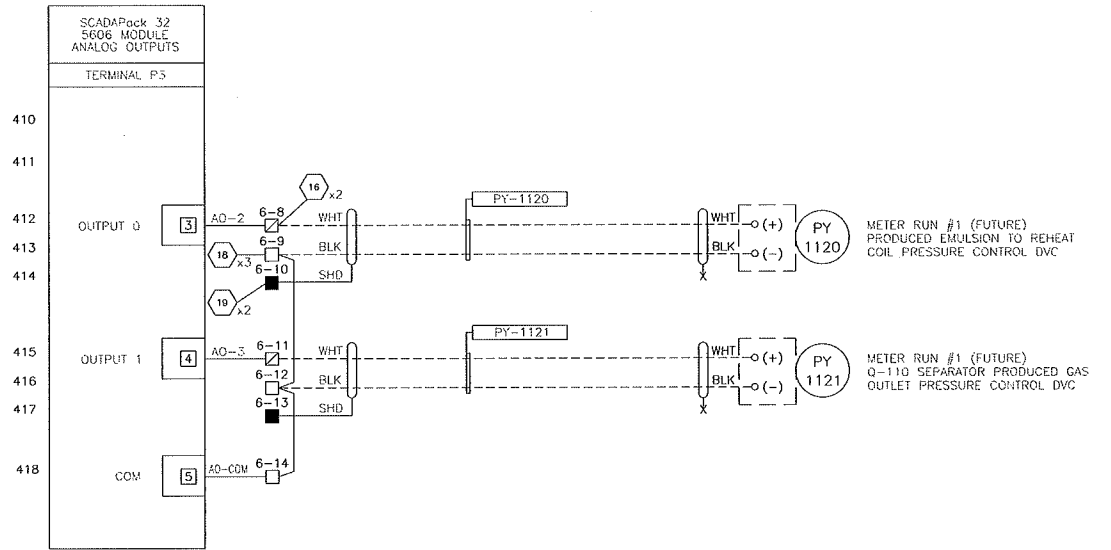
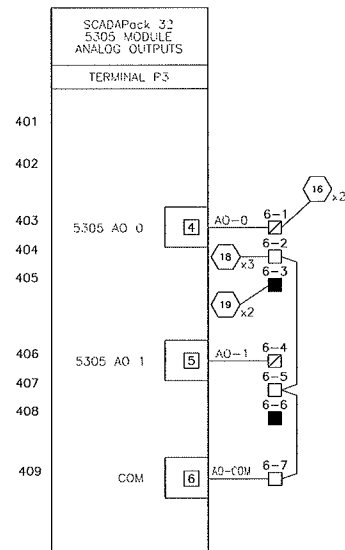
<p><b>CAUTION : READ BEFORE EXCAVATION</b>                  ALL EXCAVATIONS MUST BE CARRIED OUT AS PER "ENCANA'S GROUND DISTURBANCE PRACTICE"</p>		<p>COMP. STN. 14-30                  14-30-071-08 W6M                  WELLSITE                  04-02-072-09 W6M                  NTS (A1 SIZE) EN13-02273</p>
<p><b>encana.</b></p>		<p><b>SOLARIS MANAGEMENT CONSULTANTS INC.</b>                  ANALOG INPUTS - 5604 / ANALOG INPUTS - 5506                  Q-110 SEPARATOR</p>
<p>PIPESTONE</p>	<p>CLASS N</p>	<p>FILE NO. PS03046H</p>

PLotted: 7/31/2014 3:18:27 PM BY: WILLIAM CHEN  
 LAST SAVED: 7/31/2014 3:18:25 PM BY: WCHEN

Drawings Must Comply with Encana Drafting Standards (ECA-DDM-S-01)



Date and Time Saved: 2014-07-31 3:05 PM



PLotted: 7/31/2014 3:06:23 PM BY: WILLIAM CHEN  
 LAST SAVED: 7/31/2014 3:05:35 PM BY: KLAEMECC

CAUTION : READ BEFORE EXCAVATION  
 ALL EXCAVATIONS MUST BE CARRIED OUT AS PER  
 "ENCANA'S GROUND DISTURBANCE PRACTICE"

NO.	DATE (YYYY-MM-DD)	PROJECT DESCRIPTION	PROJ.	AFE	EPCM Co.	EPCM No.	APPD.	ISSUE STAGE	DATE (YYYY-MM-DD)	BY	CHKD.	APPD.
1	2014-07-31	04-02-072-09 WEM OIL WELLSITE			14180828	SOLARIS	EN13-02273	Prelim. (A)				
								Bid (B)				
								Constr. (C)	2014-07-31	WCH	WCH	
								As-built (D)				

- TERMINAL BLOCK LEGEND**
- RTU PANEL FEED THROUGH TERMINAL
  - RTU PANEL DISCONNECT TERMINAL
  - RTU PANEL GROUND TERMINAL
  - JUNCTION BOX TERMINAL
  - PANEL B.O.M. CALL-UP
  - RTU PANEL FUSED DC TERMINAL
  - FIELD WIRING
  - - - - - PANEL WIRING

**PERMIT TO PRACTICE**  
 SOLARIS MANAGEMENT CONSULTANTS INC.  
 Signature: [Signature]  
 Date: 2014-07-31  
 PERMIT NUMBER: P07488  
 MEMBER NUMBER: M70188  
 The Association of Professional Engineers  
 Geologists and Geophysicists of Alberta

**ISSUED FOR CONSTRUCTION**  
 DATE: 2014-07-31

**encana**

COMP. STN. 14-30  
 14-30-071-08 W6M  
 WELLSITE  
 04-02-072-09 W6M  
 NTS (A1 SIZE) EN13-02273

**SOLARIS MANAGEMENT CONSULTANTS INC.**

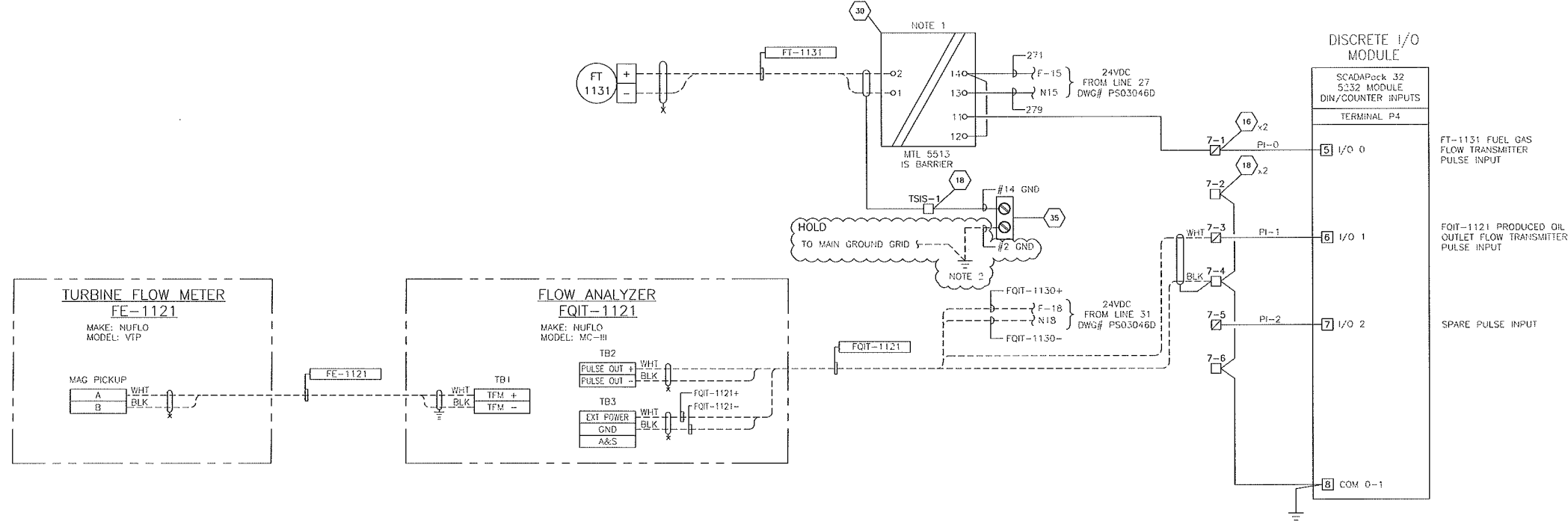
**ANALOG OUTPUTS - 5604 / ANALOG OUTPUTS - 5606**  
**Q-110 SEPARATOR**

**PIPESTONE** CLASS N FILE NO. PS03046J

Drawings Must Comply with Encana Drafting Standards (ECA-DDM-S-01)

Date and Time Saved: 2013-06-17, 3:05 PM

500  
501  
502  
503  
504  
505  
506  
507  
508  
509  
510



- NOTES:
- PANEL CONTRACTOR SHALL INSTALL MTL5513 INTRINSICALLY SAFE (IS) BARRIER OR EQUIVALENT (PENDING ENGINEERING APPROVAL) AND WIRING IN ACCORDANCE WITH CSA 22.1-12 APPENDIX F.
  - DEDICATED GROUND ROD FOR INTRINSICALLY SAFE CIRCUIT. HOLD

TERMINAL BLOCK LEGEND

- RTU PANEL FEED THROUGH TERMINAL
- RTU PANEL DISCONNECT TERMINAL
- RTU PANEL GROUND TERMINAL
- JUNCTION BOX TERMINAL
- PANEL B.O.M. CALL-UP
- RTU PANEL FUSED DC TERMINAL

**ISSUED FOR CONSTRUCTION**  
DATE: 2014-07-31

NO.	DATE (mm-dd-yy)	PROJECT DESCRIPTION	PROJ.	AFE	EPCM Co.	EPCM No.	APPD.	ISSUE STAGE	DATE (mm-dd-yy)	BY	CHKD.	APPD.
1	2014-07-31	04-02-072-09 WGM OIL WELLSITE	-	14180828	SOLARIS	EN13-02273	K/S	Prelim. (A)	-	-	-	-
-	-	-	-	-	-	-	-	Bid (B)	-	-	-	-
-	-	-	-	-	-	-	-	Constr. (C)	2014-07-31	WEL	WEL	WEL
-	-	-	-	-	-	-	-	As-built (D)	-	-	-	-

CAUTION : READ BEFORE EXCAVATION  
ALL EXCAVATIONS MUST BE CARRIED OUT AS PER "ENCANA'S GROUND DISTURBANCE PRACTICE"

**encana.**

COMP. STN. 14-30  
14-30-071-08 W6M  
WELLSITE  
04-02-072-09 W6M  
N1S (A1 SIZE) EN13-02273

SOLARIS MANAGEMENT CONSULTANTS INC.  
PULSE INPUTS - 5604  
Q-110 SEPARATOR

PIPESTONE  
N  
PS03046K

PLOTTED: 7/31/2014 3:06:27 PM, BY: WILLIAM CHEN  
LAST SAVED: 7/31/2014 3:05:37 PM, BY: KLAWWEG

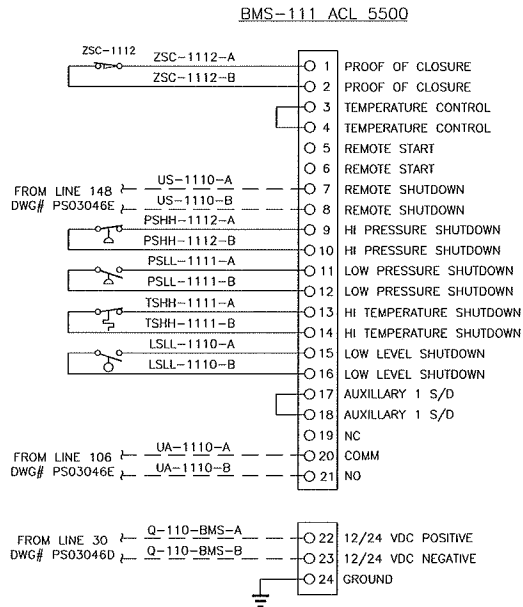
FILE: "A:\Encana\CDDBLU\_WSP\04-02-072-09\_WGM\Drawings\Electrical\Global Flow Separator RTU Panel Drawings\PS03046K.dwg



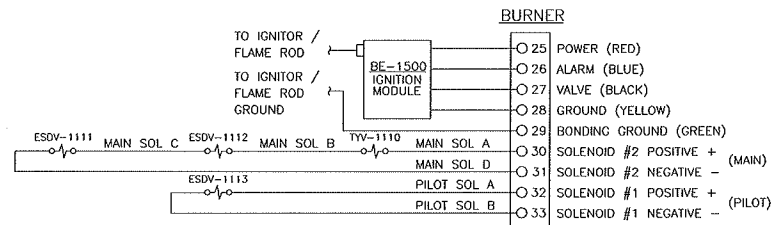
PLotted: 7/31/2014 3:06:37 PM BY: WILLIAM CHEN  
 LAST SAVED: 7/31/2014 3:05:43 PM BY: KUGAREG

ENCANA (DRAWING AT THE BACK)

701  
702  
703  
704  
705  
706  
707  
708  
709  
710  
711  
712  
713  
714  
715  
716  
717  
718  
719  
720  
721  
  
722  
723  
724

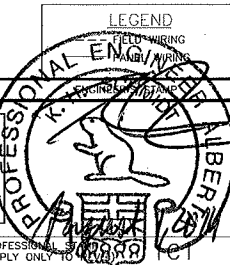


725  
726  
727  
728  
729  
730  
731  
732  
733



REFERENCE DRAWINGS	DWG. NO.	NO.	DATE	PROJECT DESCRIPTION	PROJ.	AFE	EPCM Co.	EPCM No.	APP.	ISSUE STAGE	DATE	BY	CHKD.	APPD.	PERMIT STAMP
		1	2014-07-31	04-02-072-09 W6M OIL WELLSITE		14180828	SOLARIS	EN13-02273	KUGAREG	Prelim. (A)					
										Bid (B)					
										Constr. (C)	2014-07-31	W/CH			
										As-built (D)					

**CAUTION : READ BEFORE EXCAVATION**  
 ALL EXCAVATIONS MUST BE CARRIED OUT AS PER  
 "ENCANA'S GROUND DISTURBANCE PRACTICE"



**ISSUED FOR CONSTRUCTION**  
DATE: 2014-07-31

**encana**

COMP. STN. 14-30  
 14-30-071-08 W6M  
 WELLSITE  
 04-02-072-09 W6M  
 NTS (A1 SIZE) EN13-02273

**SOLARIS MANAGEMENT CONSULTANTS INC.**

**BMS COMBUSTION SAFETY CONTROLLER SCHEMATIC**  
**Q-110 SEPARATOR**

**PIPESTONE**

CLASS FILE NO.  
N PS03046M