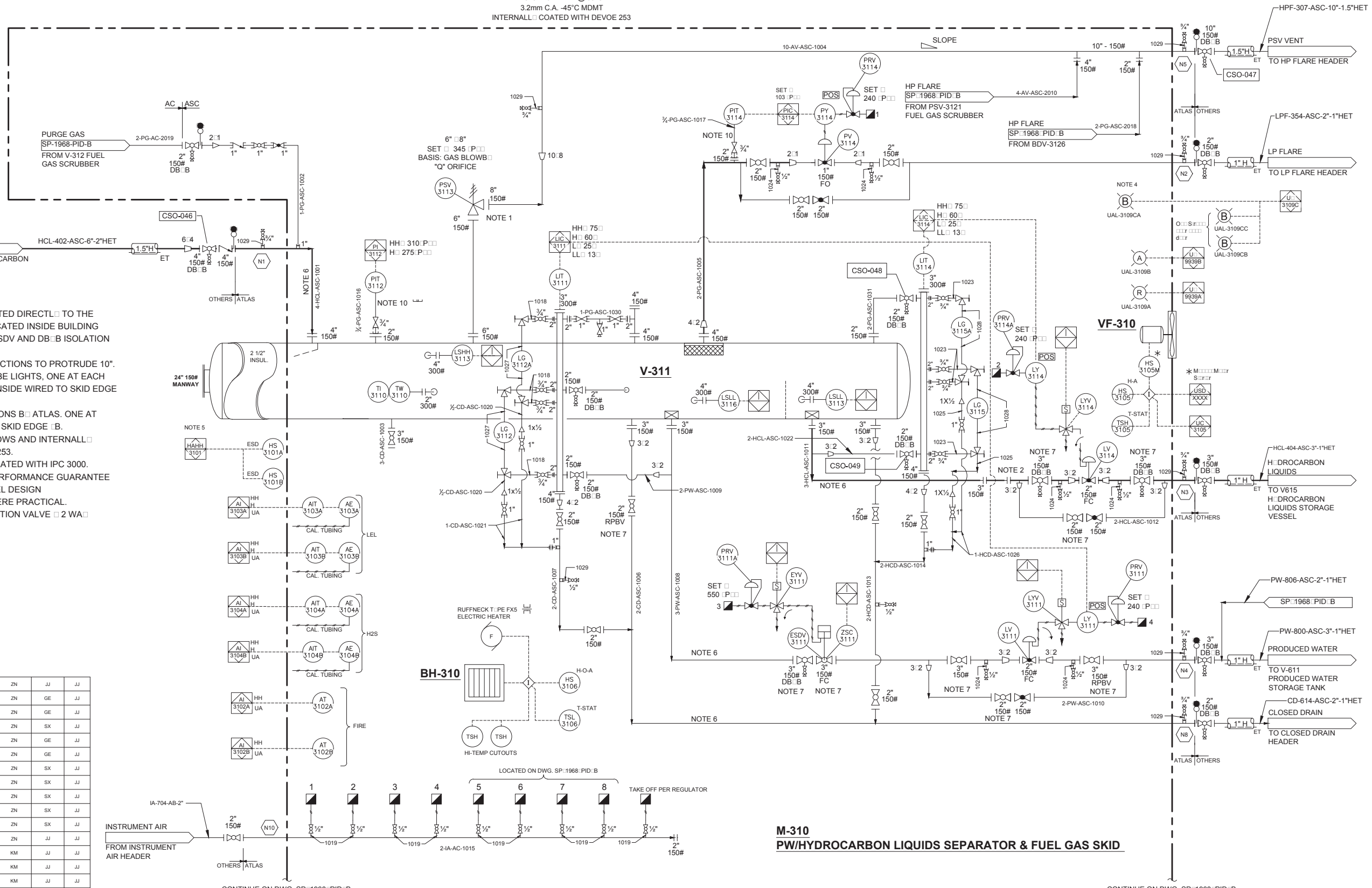


**V-311**  
**PW/H<sub>2</sub>O DROCCARBON LIQUIDS**  
**SEPARATOR VESSEL**  
 48" ID X 120' S/S (1219 ID X 3658 S/S)  
 1875 kPa MAWP @ 65°C  
 3.2mm C.A. -45°C MDMT  
 INTERNALLY COATED WITH DEVCO 253

**BH-310**  
**BUILDING HEATER**  
 RUFFNECK ELECTRIC HEATER  
 15' W/600V/3PH/60HZ  
 FX5-600360-150-W XP

**VF-310**  
**VENT FAN C/W HOOD**  
 120V/1PH/60HZ XP  
 ET-12-1  
 12 1/2" FAN - 1/4 HP - 350 CFM



- NOTES**
- PSV-3113 TO BE MOUNTED DIRECTLY TO THE VESSEL V-311 AND LOCATED INSIDE BUILDING
  - SPOOL FOR FUTURE ESDV AND DB: B ISOLATION VALVE
  - ALL SKID EDGE CONNECTIONS TO PROTRUDE 10".
  - QT: 3 H2S BLUE STROBE LIGHTS, ONE AT EACH DOOR OUTSIDE, ONE INSIDE WIRED TO SKID EDGE I.B.
  - QT: 2 ESD PUSH BUTTONS B: ATLAS. ONE AT EACH DOOR WIRED TO SKID EDGE I.B.
  - SPOOL HAVE XXS ELBOWS AND INTERNALLY COATED WITH DEVCO 253.
  - VALVE INTERNALLY COATED WITH IPC 3000.
  - ATLAS TO PROVIDE PERFORMANCE GUARANTEE ON SEPARATOR VESSEL DESIGN
  - SOCKET WELDING WHERE PRACTICAL.
  - ALL PIT: C/W 3/4" ISOLATION VALVE & 2 WA: MANIFOLD.
- LINE NOTES:**
- 1018: 3/4" PW/HCL-ASC-1018
  - 1019: 1/2" IA-AC-1019
  - 1023: 3/4" HCL-ASC-1023
  - 1024: 1/2" CD-ASC-1024
  - 1025: 1/2" HCD-ASC-1025
  - 1027: 1/2" PW/HCL-ASC-1027
  - 1028: 1/2" HCL-ASC-1028
  - 1029: 3/4" AV-ASC-1029

DWG REV	DATE	DESCRIPTION	BY	CHKD BY	APPD BY
12	OCT 25/12	RE-IFC / SW SYMBOLS	ZN	JJ	JJ
11	SEP 13/12	ISSUED FOR INFORMATION ONLY	ZN	GE	JJ
10	SEP 04/12	RE-IFC	ZN	GE	JJ
9	AUG 20/12	RE-IFC	ZN	SX	JJ
8	JUL 25/12	RE-IFC	ZN	GE	JJ
7	JUL 20/12	L.C. CHANGES / RE-IFC	ZN	GE	JJ
6	MAY 10/12	RE-IFC	ZN	SX	JJ
5	MAY 01/12	NOTES / RE-IFC	ZN	SX	JJ
4	APR 24/12	INSULATION / SOCKET WELD / RE-IFC	ZN	SX	JJ
3	MAR 23/12	PSV 3121 CONNECTION SIZE / RE-IFC	ZN	SX	JJ
2	MAR 16/12	IFC WITH LINE NUMBERS	ZN	SX	JJ
1	MAR 07/12	REISSUED FOR CONSTRUCTION	ZN	JJ	JJ
0	JAN 27/12	IFC	KM	JJ	JJ
G	JAN 13/12	REISSUED FOR APPROVAL W/CUSTOMER CHANGES	KM	JJ	JJ
F	DEC 21/11	REISSUED FOR APPROVAL W/CUSTOMER CHANGES	KM	JJ	JJ
E	DEC 02/11	REISSUED FOR APPROVAL W/CUSTOMER CHANGES	KM	JJ	JJ
D	NOV 04/11	REISSUED FOR APPROVAL W/CUSTOMER CHANGES	KM	JJ	JJ
C	OCT 28/11	REISSUED FOR APPROVAL W/CUSTOMER CHANGES	KM	JJ	JJ
B	SEP 28/11	REISSUED FOR APPROVAL W/CUSTOMER CHANGES	RK	JJ	JJ
A	SEP 19/11	ISSUED FOR APPROVAL	RK	JJ	JJ

This drawing is the intellectual property of Atlas Oil and Gas Process Systems Inc. and is lent to the recipient for confidential use only. In consideration of the loan of this drawing, the recipient promises and agrees that it shall not be used in any way detrimental to the interest of Atlas Oil and Gas Process Systems Inc., that it shall be returned upon request, and that it shall not be reproduced, copied, lent or otherwise disposed of, directly or indirectly, without the written approval of Atlas Oil and Gas Process Systems Inc.



**TITLE:**  
**M-310 PW/HYDROCARBON LIQUIDS**  
**SEPARATOR VESSEL P&ID DRAWING**

**CLIENT:**  
 ENCANA CORPORATION C/O SOLARIS MANAGEMENT CONSULTANTS INC.

**LOCATION:**  
 C-12-B/93-P-9 CDBBU FAC

**CUST. REF. NO.**  
 C-12-B/93-P-9 COMPRESSOR STATION

**JOB. NO.**  
 1968

**DRAWN:**  
 RAAFAT

**ENG:**  
 JJ

**DRAWING NO.**  
 SP-1968-PID-A

**DATE:**  
 APR 2012

**SCALE:**  
 SCALE TO FIT

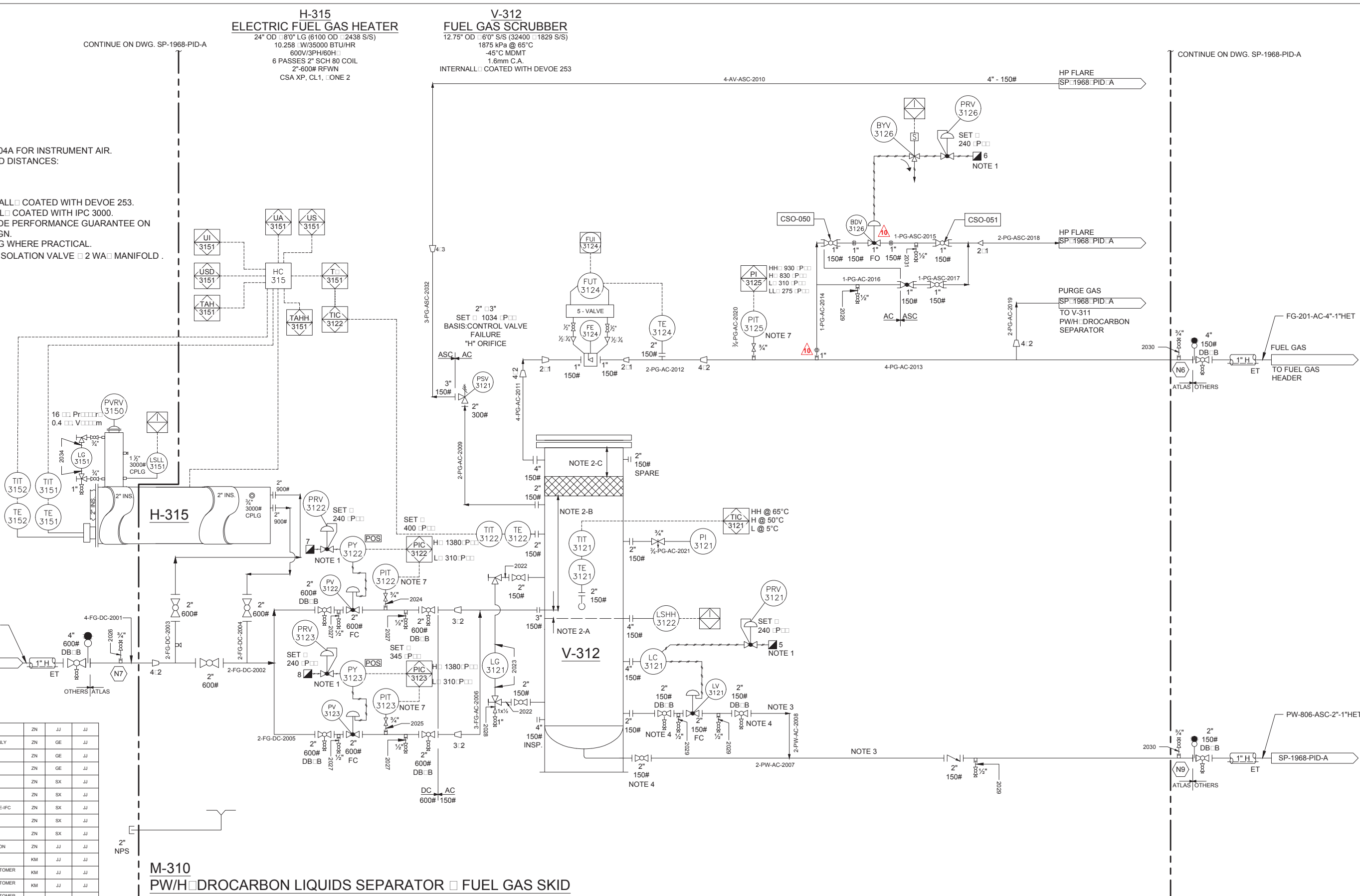
**REV**  
 12

- NOTES:**
- SEE DWG. BST1104A FOR INSTRUMENT AIR.
  - VESSEL DETAILED DISTANCES:
    - 305.
    - 457.
    - 162.
  - SPOOLS INTERNALLY COATED WITH DEVOE 253.
  - VALVE INTERNALLY COATED WITH IPC 3000.
  - ATLAS TO PROVIDE PERFORMANCE GUARANTEE ON SCRUBBER DESIGN.
  - SOCKET WELDING WHERE PRACTICAL.
  - ALL PIT/CW 3/4" ISOLATION VALVE 2 WA MANIFOLD.

- LINE NOTES:**
- 2022: 3/4-PW-AC-2022
  - 2023: 1/2-PW-AC-2023
  - 2024: 3/4-FG-DC-2024
  - 2025: 3/4-FG-DC-2025
  - 2026: 3/4-FG-DC-2026
  - 2027: 1/2-CD-DC-2027
  - 2028: 1-CD-AC-2028
  - 2029: 1/2-CD-AC-2029
  - 2030: 3/4-AV-AC-2030
  - 2031: 1/2-CD-AC-2031
  - 2034: 1/2-HM-DC-2034

DWG REV	DATE	DESCRIPTION	BY	CHKD BY	APPD BY
10	OCT 25/12	RE-IFC / SW SYMBOLS	ZN	JJ	JJ
9	SEP 13/12	ISSUED FOR INFORMATION ONLY	ZN	GE	JJ
8	JUL 25/12	RE-IFC	ZN	GE	JJ
7	JUL 20/12	L.G. CHANGES / RE-IFC	ZN	GE	JJ
6	MAY 10/12	RE-IFC	ZN	SX	JJ
5	MAY 01/12	H-315 / NOTES / RE-IFC	ZN	SX	JJ
4	APR 24/12	INSULATION / SOCKET WELD / RE-IFC	ZN	SX	JJ
3	MAR 23/12	PSV 3121 SIZE / RE-IFC	ZN	SX	JJ
2	MAR 16/12	IFC WITH LINE NUMBERS	ZN	SX	JJ
1	MAR 07/12	REISSUED FOR CONSTRUCTION	ZN	JJ	JJ
0	JAN 27/12	IFC	KM	JJ	JJ
G	JAN 13/12	REISSUED FOR APPROVAL W/CUSTOMER CHANGES	KM	JJ	JJ
F	DEC 21/11	REISSUED FOR APPROVAL W/CUSTOMER CHANGES	KM	JJ	JJ
E	DEC 02/11	REISSUED FOR APPROVAL W/CUSTOMER CHANGES	KM	JJ	JJ
D	NOV 04/11	REISSUED FOR APPROVAL W/CUSTOMER CHANGES	KM	JJ	JJ
C	OCT 28/11	REISSUED FOR APPROVAL W/CUSTOMER CHANGES	RK	JJ	JJ
B	SEP 28/11	REISSUED FOR APPROVAL W/CUSTOMER CHANGES	RK	JJ	JJ
A	SEP 19/11	ISSUED FOR APPROVAL	RK	JJ	JJ

**DRAWING REVISION**



This drawing is the intellectual property of Atlas Oil and Gas Process Systems Inc. and is lent to the recipient for confidential use only. In consideration of the loan of this drawing, the recipient promises and agrees that it shall not be used in any way detrimental to the interest of Atlas Oil and Gas Process Systems Inc., that it shall be returned upon request, and that it shall not be reproduced, copied, lent or otherwise disposed of, directly or indirectly, without the written approval of Atlas Oil and Gas Process Systems Inc.



**TITLE:**  
**M-310 FUEL GAS SKID P&ID DRAWING**

**CLIENT:**  
 ENCANA CORPORATION C/O SOLARIS MANAGEMENT CONSULTANTS INC.

**LOCATION:**  
 C-12-B/93-P-9 CDBBU FAC

**CUST. REF. NO.**  
 C-12-B/93-P-9 COMPRESSOR STATION

**JOB. NO.**  
 1968

**DRAWN:**  
 RAA FAT

**ENG:**  
 JJ

**DRAWING NO.**  
 SP-1968-PID-B

**DATE:**  
 Apr. 17, 12

**SCALE:**  
 SCALE TO FIT

**REV**  
 10