

ORIGINAL

ENCANA PO#	P054635
NWP UNIT	LSD
09207-001	05-07-079-11 W6M

REV	DATE	BY	CHK	APP	DESCRIPTION
1	FEB 09/15	SY			REVISED LINE TAGS
0	NOV 18/14	SY			ISSUED FOR CONSTRUCTION
A	SEP 19/14	SY			ISSUED FOR APPROVAL

ISSUED FOR CONSTRUCTION

SIGNED: _____
 DATE: _____
 W.O.: _____
 S/N: _____

ALL DIMENSIONS IN INCHES

NWP INDUSTRIES LP

P.O. BOX 6280, INNISFAIL, AB T4G 1S9
 PH: (403) 227-4100 FAX: (403) 227-4102

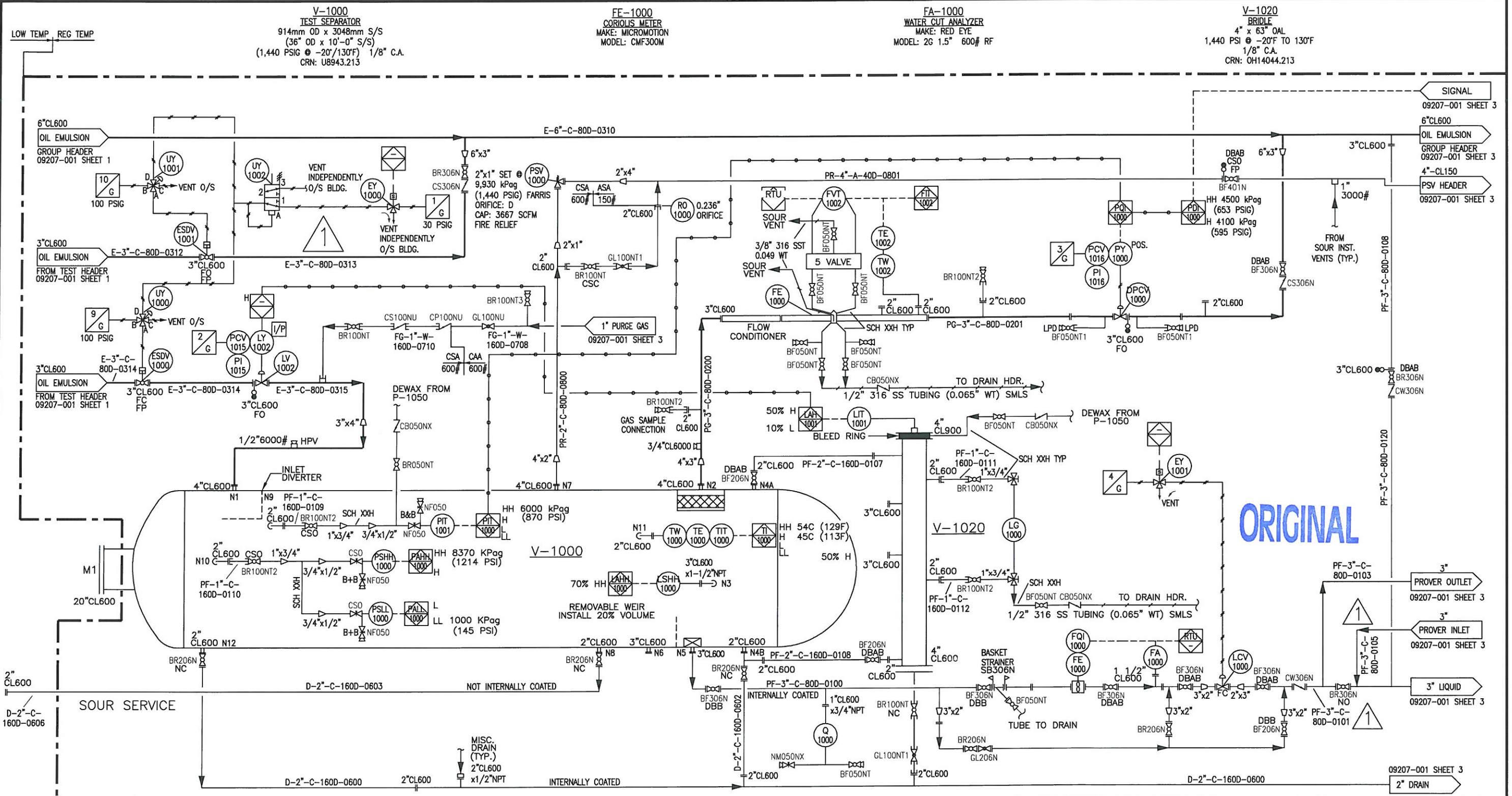
SCALE: N.T.S.
 WEIGHT: (APPROX. LBS)

ENCANA CORPORATION
 36" x 10' SOUR TEST SEPARATOR w/
 5 - WELL GROUP HEADER

PIPING AND INSTRUMENTATION DIAGRAM

DWN: SY CHK: [Signature] APP: [Signature]
 DATE: SEP 19/14 DATE: FEB 12 2015 DATE: FEB 12 2015

SHEET: 1 OF 6 DWG: 09207-001-P-000 REV: 1



ORIGINAL

NOTE - 2" DRAIN AND LIQUID OUT TO BE INTERNALLY COATED WITH DEVOE 253.
 - VORTEX BREAKER ON 3" LIQUID OUT N5
 - FLANGE TYPE FLOW CONDITIONER FE1000
 - VESSEL INTERNALLY COATED DEVOE 253
 V-100 SKID LIMIT

ENCANA PO#	P054635
NWP UNIT	LSD
09207-001	05-07-079-11 W6M

REV	DATE	BY	CHK	APP	DESCRIPTION
1	FEB 09/15	SY			REVISED LINE TAGS
0	NOV 18/14	SY			ISSUED FOR CONSTRUCTION
A	SEP 19/14	SY			ISSUED FOR APPROVAL

DRAWING REVISIONS

ISSUED FOR CONSTRUCTION

SIGNED: _____
 DATE: _____
 W.O.: _____
 S/N: _____

ALL DIMENSIONS IN INCHES

NWP INDUSTRIES LP

P.O. BOX 6280, INNISFAIL, AB T4G 1S9
 PH: (403) 227-4100 FAX: (403) 227-4102

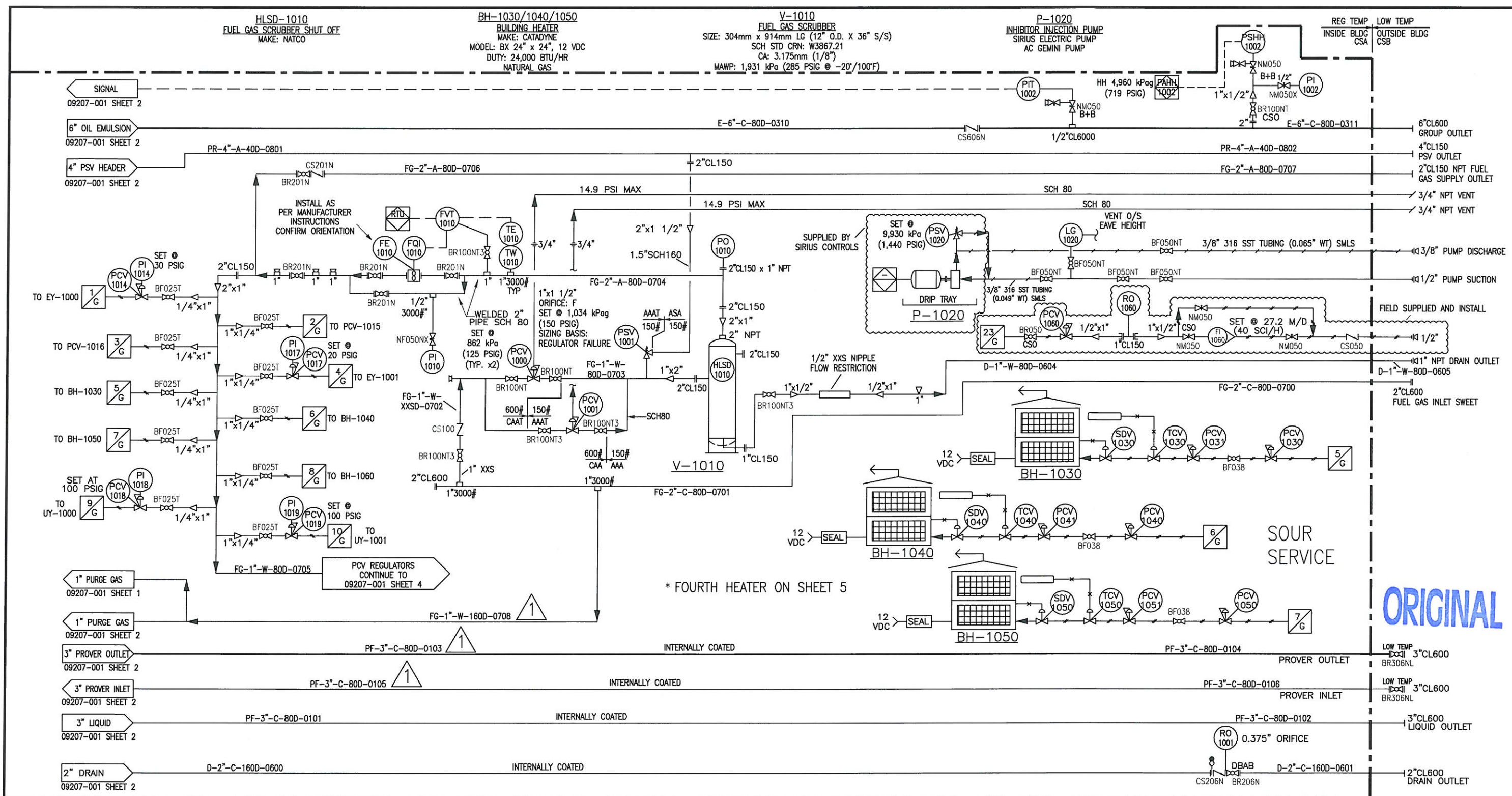
SCALE: N.T.S.
 WEIGHT: (APPROX. LBS)

ENCANA CORPORATION
 36" x 10' SOUR TEST SEPARATOR w/
 5 - WELL GROUP HEADER

PIPING AND INSTRUMENTATION DIAGRAM

DWN:	SY	CHK:		APP:	
DATE:	SEP 19/14	DATE:	FEB 12 2015	DATE:	FEB 12 2015

SHEET: 2 OF 6
 DWG: 09207-001-P-000
 REV: 1



ORIGINAL

ENCANA PO#	P054635
NWP UNIT	LSD
09207-001	05-07-079-11 W6M

REV	DATE	BY	CHK	APP	DESCRIPTION
1	FEB 09/15	SY			REVISED LINE TAGS
0	NOV 18/14	SY			ISSUED FOR CONSTRUCTION
A	SEP 19/14	SY			ISSUED FOR APPROVAL

ISSUED FOR CONSTRUCTION

SIGNED: _____
 DATE: _____
 W.O.: _____
 S/N: _____

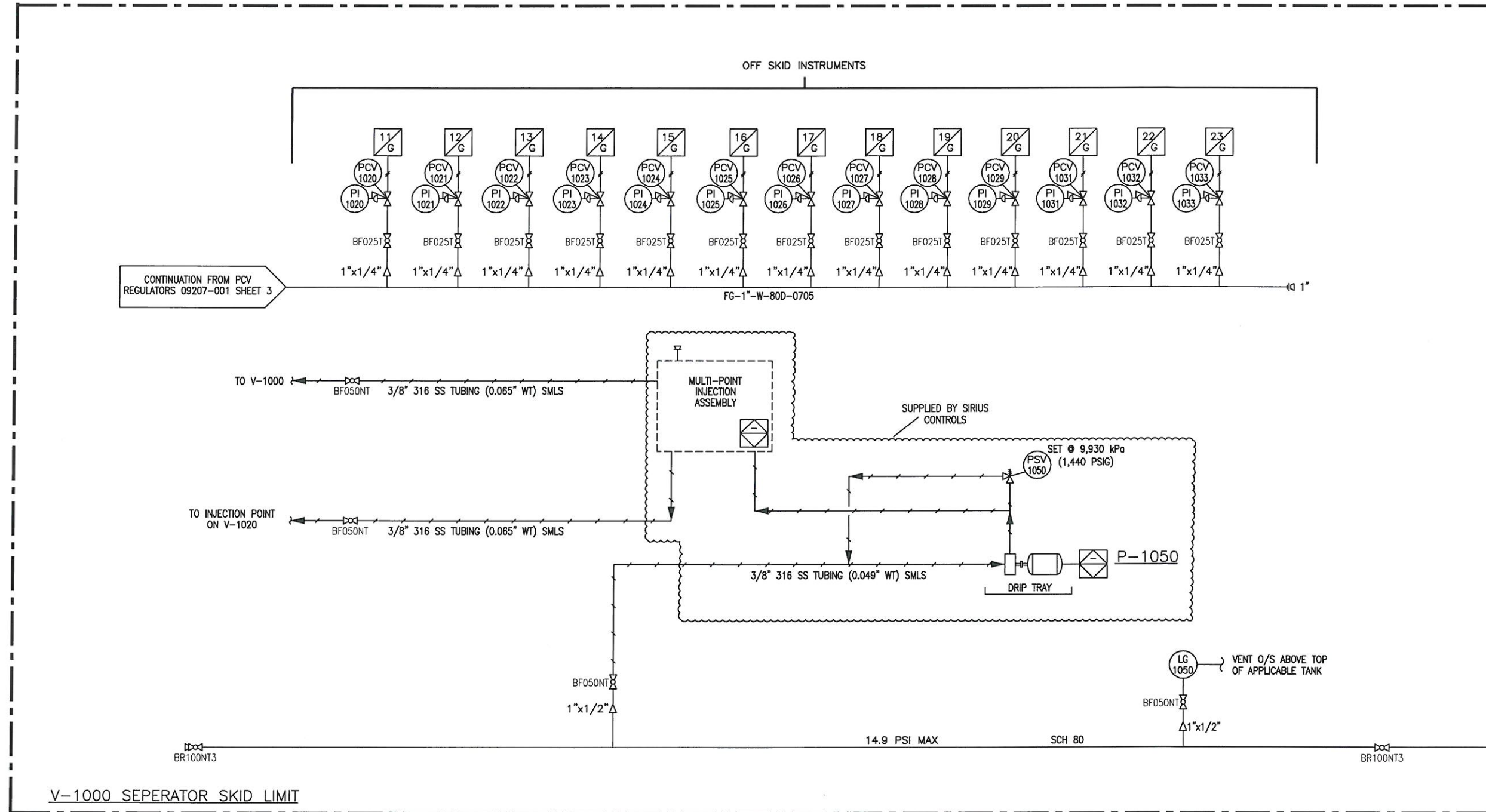
ALL DIMENSIONS IN INCHES



P.O. BOX 6280, INNISFAIL, AB T4G 1S9
 PH: (403) 227-4100 FAX: (403) 227-4102

ENCANA CORPORATION			
36" x 10' SOUR TEST SEPARATOR w/ 5 - WELL GROUP HEADER			
PIPING AND INSTRUMENTATION DIAGRAM			
DWN: SY	CHK: [Signature]	APP: [Signature]	
DATE: SEP 19/14	DATE: FEB 12 2015	DATE: FEB 12 2015	
SCALE: N.T.S.	SHEET: 3 OF 6	DWG: 09207-001-P-000	REV: 1

P-1050
DEWAX PUMP
SIRIUS ELECTRIC AC GEMINI PUMP



ORIGINAL

ENCANA PO#	P054635
NWP UNIT	LSD
09207-001	05-07-079-11 W6M


REV	DATE	BY	CHK	APP	DESCRIPTION
1	FEB 09/15	SY			REVISED LINE TAGS
0	NOV 18/14	SY			ISSUED FOR CONSTRUCTION
A	SEP 19/14	SY			ISSUED FOR APPROVAL

DRAWING REVISIONS

ISSUED FOR CONSTRUCTION

SIGNED: _____
 DATE: _____
 W.O.: _____
 S/N: _____

ALL DIMENSIONS IN INCHES

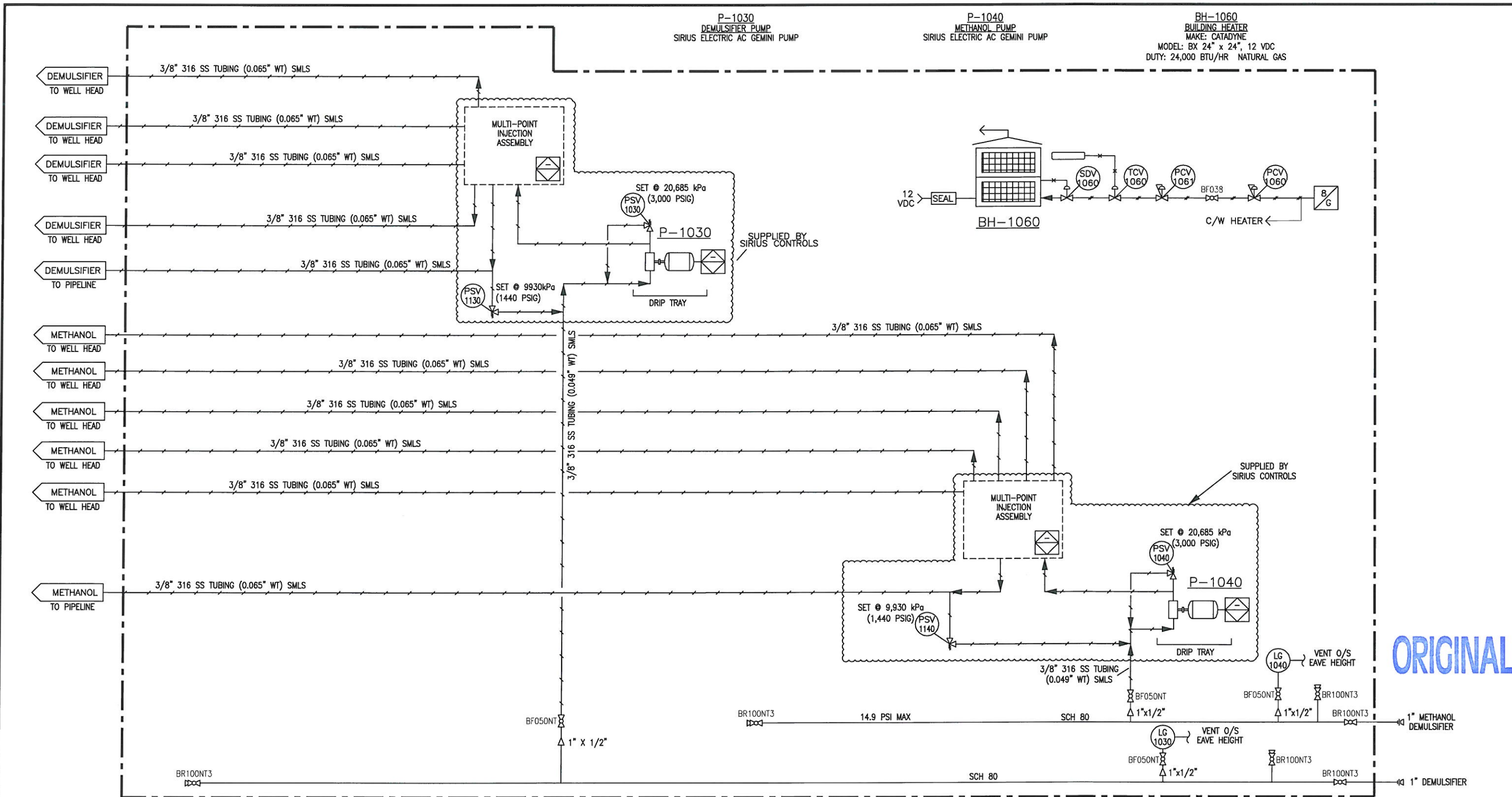


NWP INDUSTRIES LP

P.O. BOX 6280, INNISFAIL, AB T4G 1S9
 PH: (403) 227-4100 FAX: (403) 227-4102

SCALE: N.T.S.
 WEIGHT: (APPROX. LBS)

ENCANA CORPORATION			
36" x 10' SOUR TEST SEPARATOR w/ 5 - WELL GROUP HEADER			
PIPING AND INSTRUMENTATION DIAGRAM			
DWN: SY	CHK: [Signature]	APP: [Signature]	
DATE: SEP 19/14	DATE: FEB 12 2015	DATE: FEB 12 2015	
SHEET: 4 OF 6	DWG: 09207-001-P-000	REV: 1	



ORIGINAL

ENCANA PO#	P054635
NWP UNIT	LSD
09207-001	05-07-079-11 W6M

REV	DATE	BY	CHK	APP	DESCRIPTION
1	FEB 09/15	SY			REVISED LINE TAGS
0	NOV 18/14	SY			ISSUED FOR CONSTRUCTION
A	SEP 19/14	SY			ISSUED FOR APPROVAL

DRAWING REVISIONS

ISSUED FOR CONSTRUCTION

SIGNED: _____

DATE: _____

W.O.: _____

S/N: _____

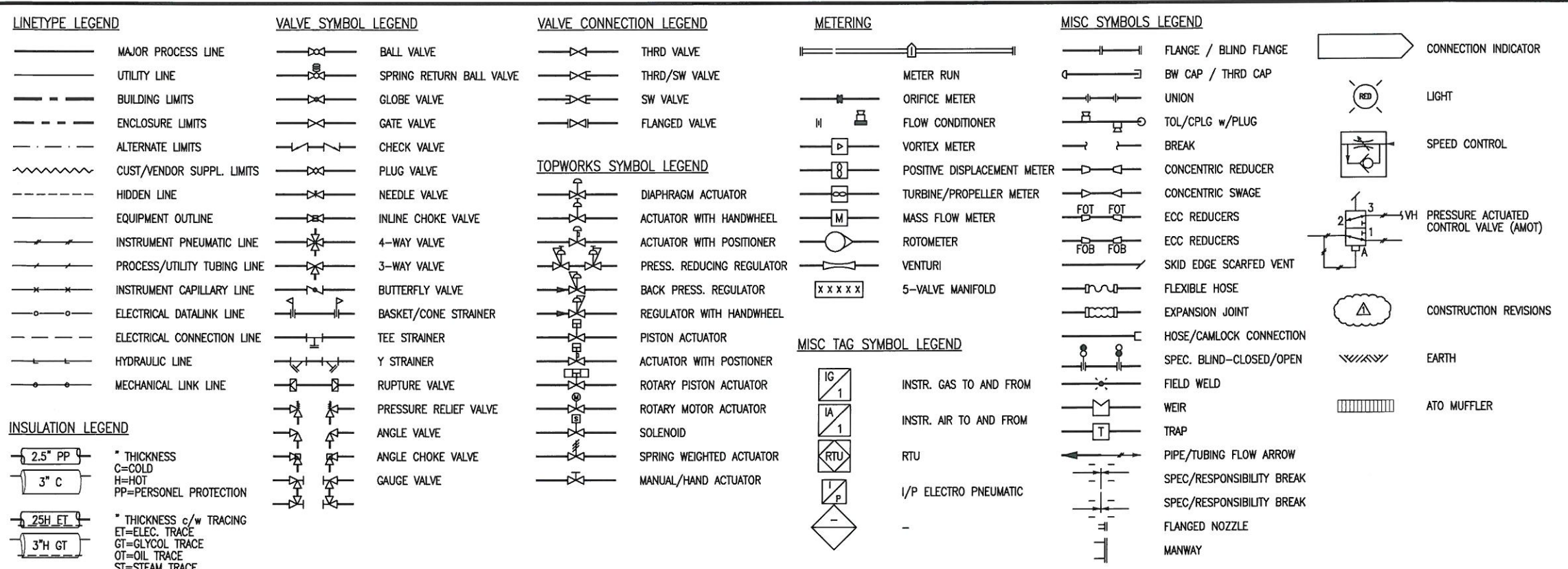
ALL DIMENSIONS IN INCHES

NWP INDUSTRIES LP

P.O. BOX 6280, INNISFAIL, AB T4G 1S9
 PH: (403) 227-4100 FAX: (403) 227-4102

SCALE: N.T.S.
 WEIGHT: (APPROX. LBS)

ENCANA CORPORATION			
36" x 10' SOUR TEST SEPARATOR w/ 5 - WELL GROUP HEADER			
PIPING AND INSTRUMENTATION DIAGRAM			
DWN: SY	CHK: [Signature]	APP: [Signature]	
DATE: SEP 19/14	DATE: FEB 12 2015	DATE: FEB 12 2015	
SHEET: 5 OF 6	DWG: 09207-001-P-000	REV: 1	



NOTES

- PIPE SUPPORTS WHERE REQUIRED.
- SHIP LOOSE ITEMS TO BE BOXED AND SEALED PRIOR TO SHIPMENT.
- PLUG AND PROTECT ALL OUTLETS PRIOR TO SHIPMENT.
- ELECTRICAL BY NWP. (HEATERS)
- 3" FOAM INSULATION UNDER BUILDING FLOOR.
- 316SS SEAMLESS TUBING AND 316SS FITTINGS.
- VENT INSTRUMENTS TO COMMON 2" VENT HEADER.
- NO LIQUID TRAPS.
- VESSELS TO BE FABRICATED TO THE LATEST EDITION OF THE ASME SECTION VIII DIVISION 1.
- VENT OUTSIDE BUILDING TO ATMOSPHERE AT EAVE HEIGHT (SWEET VENT ONLY).
- ALL PIPING AND PROCESS TUBING LINES TO BE TESTED PER B31.3
- INSTRUMENT SUPPLY LINES TO BE TESTED PER ABSA AB-522.
- HYDROTEST PIPING TO 1.5 x M.A.W.P.
- ALL PIPING TO PIPING MATERIAL TO BE STANDARD TEMP U.N.O.
- SURFACE PREP: SSPC-SP6-63 COMMERCIAL BLAST
- PRIMER: 1s/c CLOVERDALE UNIVERSAL PHENOLIC PRIMER. SERIES 83, 1.5-2 MILS DFT.
- PAINT: 2s/c CLOVERDALE 835 SERIES DTM POLYURETHANE ENAMEL 2-3 MILS DFT. GUARD RAILS, LADDER, GRATING = BLACK SKID, VESSELS, PIPING, PIPE SUPPORTS = ENCANVA TAUPE

ENCANA PO# P054635

NWP UNIT LSD

09207-001 5-07-079-11 W6M

ORIGINAL

VALVE TAGGING

XX XXX XX

025 - 1/4"
038 - 3/8"
050 - 1/2"
075 - 3/4"
100 - 1"
201 - 2" 150 ANSI
303 - 3" 300 ANSI
406 - 4" 600 ANSI
609 - 6" 900 ANSI
815 - 8" 1500 ANSI
1025 - 10" 2500 ANSI

G - GAS SERVICE
H - HIGH PRESSURE
L - LOW TEMP.
N - NACE
P - 0-799#
Q - 800#
R - 900#
S - 901# -1500#
T - 2000#
U - 2001# - 2499#
V - 2500#
W - 3000#
X - 6000#
Y - 10000#
Z - UNCLASSIFIED
1 - BOM CLARIFIER

INSTRUMENTATION SYMBOLS AND IDENTIFICATION

LETTER	FIRST LETTER	PRIMARY ELEMENT	INDICATOR	RECORDER	CONTROLLER			TRANS-MITTER	CONTROL			CONTROL VALVE	REGULATOR	SELF ACTIVATED VALVE	RELAY OR CONVERTOR
					BLIND	INDICATING	RECORDING		SWITCH	ALARM	*DEFINER				
A	ANALYSIS	AE	AI	AR	AC	AIC	ARC	AT	AS(*)	AA(*)		AV			AY
B	BURNER COMBUSTION	BE	BI	BR	BC			BT	BS(*)	BA(*)		BV			BY
BP	BACK PRESSURE											BPV	BPCV		
C	CONDUCTIVITY	CE	CI	CR	CC	CIC	CRC	CT	CS(*)	CA(*)		CV			CY
D	DENSITY OR MASS	DE	DI	DR	DC	DIC	DRC	DT	DS(*)	DA(*)		DV			DY
E	VOLTAGE	EE	EI	ER	EC	EIC	ERC	ET	ES(*)	EA(*)		EV			EY
F	FLOW, FLOW RATE	FE	FI	FR	FC	FIC	FRC	FT	FS(*)	FA(*)		FV	FCV		FY
G	GAUGING	GE	GI	GR	GC	GIC	GRC	GT	GS(*)	GA(*)		GV			
H	HAND				HC	HIC	HRC	HT	HS(*)			HV	HCV		HY
I	CURRENT	IE	II	IR	IC	IIC	IRC	IT	IS(*)	IA(*)					IY
J	POWER	JE	JI	JR	JC	JIC	JRC	JT	JS(*)	JA(*)					JY
K	TIME, SCHEDULE		KI	KR	KC	KIC	KRC	KT	KS(*)	KA(*)					KY
L	LEVEL	LE	LI	LR	LC	LIC	LRC	LT	LS(*)	LA(*)		LV	LCV		LY
M	MOISTURE, HUMIDITY	ME	MI	MR	MC	MIC	MRC	MT	MS(*)	MA(*)					MY
N	USER'S CHOICE														
O	USER'S CHOICE														
P	PRESSURE	PE	PI	PR	PC	PIC	PRC	PT	PS(*)	PA(*)		PV	PRV	PCV	PY
Q	QUANTITY		QI	QR	QC	QIC	QRC	QT	QS(*)	QA(*)		QV			QY
R	RADIATION	RE	RI	RR	RC	RIC	RRC	RT	RS(*)	RA(*)					RY
S	SPEED, FREQUENCY		SI	SR	SC	SIC	SRC	ST	SS(*)	SA(*)		SV	SCV		SY
T	TEMPERATURE	TE	TI	TR	TC	TIC	TRC	TT	TS(*)	TA(*)		TV	TCV		TY
U	MULTI-VARIABLE		UI	UR	UC	UIC	URC					UV			UY
V	VIBRATION, MECH. ANAL.	VE	VI	VR	VC	VIC	VRC	VT	VS(*)	VA(*)		VV			VY
W	WEIGHT, FORCE	WE	WI	WR	WC	WIC	WRC	WT	WS(*)	WA(*)		WV			WY
X	UNCLASSIFIED	XE	XI	XR	XC	XIC	XRC	XT	XS(*)	XA(*)		XV			XY
Y	EVENT, STATE, PRESENCE														YY
Z	POSITION, DIMENSION	ZE	ZI	ZR	ZC	ZIC	ZRC	ZT	ZS(*)	ZA(*)					ZY

ABBREVIATIONS

A/G	ABOVE GROUND	GS	GAS SUPPLY	PD	POSITIVE DISPLACEMENT
APP	APPROVED	GT	GLYCOL TRACE	PFS	PROCESS FLOW SHEET
AS	AIR SUPPLY	HC	HOSE CONNECTION	P/I	PNEUMATIC TO CURRENT
ASSY	ASSEMBLY	HLL	HIGH LIQUID LEVEL	P/L	PIPELINE
ATM	ATMOSPHERE	HP	HIGH POINT	PLC	PROGRAMMABLE LOGIC CONTR.
BBE	BEVEL BOTH ENDS	HP	HORSE POWER	PP	PLOT PLAN
BBL	BARREL	HPV	HIGH POINT VENT	PO	PUMP OUT
BCD	BOLT CIRCLE DIAMETER	HS	HYDRAULIC SUPPLY	RF	RAISED FACE
BD	BLOWDOWN	HT	HEAT TRACE	RO	RESTRICTION ORIFICE
BLD	BLIND	IA	INSTRUMENT AIR	RP	REDUCED PORT
BTU	BRITISH THERMAL UNITS	IC	INTERNAL COMBUSTION	RTU	REMOTE TRANSMITTING UNIT
CC	CORROSION COUPON	ID	INSIDE DIAMETER	SC	SAMPLE CONNECTION
CP	CORROSION PROBE	IG	INSTRUMENT GAS	s/c	SHOP COAT
CS	CARBON STEEL	INJ. PT.	INJECTION POINT	S/D	SHUTDOWN
CSC	CAR SEAL CLOSED	I/P	CURRENT TO PNEUMATIC	SG	SPECIFIC GRAVITY
CSO	CAR SEAL OPEN	I/S	INSIDE	SMLS	SEAMLESS
c/w	COMPLETE WITH	LLL	LOW LIQUID LEVEL	SO	STEAM OUT
DBB	DOUBLE BLOCK & BLEED	LP	LOW POINT	SP	SET POINT
DP	DESIGN PRESSURE	LPD	LOW POINT DRAIN	SS	STEAM SUPPLY
DT	DESIGN TEMPERATURE	LSD	LEGAL SUBDIVISION	SS	STAINLESS STEEL
ES	ELECTRIC SUPPLY	MAWP	MAX. ALLOW. WORK PRES.	S/S	SEAM TO SEAM
ESD	EMERGENCY SHUTDOWN	MDMT	MIN. DESIGN METAL TEMP.	ST	SOUR TRIM
ET	ELECTRICAL TRACE	MCC	MOTOR CONTROL CENTER	TK	TANK
FC	FAIL CLOSE	MFS	MECHANICAL FLOW SHEET	TSO	TIGHT SHUT-OFF
FFSD	FLAME FAILURE SHUTDOWN	NC	NORMALLY CLOSED	T/T	TANGENT TO TANGENT
FI	FAIL INTERMEDIATE	NLL	NORMAL LIQUID LEVEL	TW	THERMO WELL
FL	FAIL LOCKED	NO	NORMALLY OPEN	UA	UNIT ALARM
FLG	FLANGE	NS	NITROGEN SUPPLY	U/G	UNDER GROUND
FO	FAIL OPEN	NSPC	NON-SLAM PISTON CHECK UNO	UNO	UNLESS NOTED OTHERWISE
FP	FULL PORT	NTS	NOT TO SCALE	VH	VENT HEADER
FS	FORGED STEEL	OD	OUTSIDE DIAMETER	WS	WATER SUPPLY
FW	FIELD WELD	O/S	OUTSIDE		
GO	GEAR OPERATED	PC	PURGE CONNECTION		

LINE TAGGING

XX-X"-X-XXXX-XXX

NOMINAL PIPE SIZE

150 ANSI FLANGED - A
300 ANSI FLANGED - B
600 ANSI FLANGED - C
900 ANSI FLANGED - D
2500 ANSI FLANGED - E
CLASS 2000 THRD/SW - T
CLASS 3000 THRD/SW - W
CLASS 6000 THRD/SW - X

PIPE SCHEDULE

0100-0199 PROCESS FLUID
0200-0299 PROCESS GAS
0300-0399 EMULSION
0400-0499 HYDROCARBONS
0500-0599 WATER
0600-0699 DRAIN
0700-0799 FUEL GAS
0800-0899 PRESSURE RELIEF
0900-0999 INSTR. AIR
1000-1099 VENT (NO TESTING)

INSTRUMENT TUBING
A - GALVANIZED TUBING w/ CS FITTINGS
B - 304W SS TUBING w/ CS FITTINGS
C - 304W SS TUBING w/ 316 SS FITTINGS
D - 316 SS TUBING w/ 316 SS FITTINGS
E - 316 SS TUBING w/ CS FITTINGS
F - NOT APPLICABLE

TAG LEGEND

	LOCALLY MOUNTED	PRIMARY LOC. OR PANEL NORMALLY ACCESS. TO OPER.	AUXILIARY LOC. OR PANEL NORMALLY ACCESS. TO OPER.	PRIMARY LOC. OR PANEL MOUNTED ON BACK OF PANEL	AUXILIARY LOC. OR PANEL MOUNTED ON BACK OF PANEL
DISCRETE	○	○	○	○	○
SHARED DISPLAY, SHARED CONTROL DISTRIBUTION, CONTROL VIDEO DISPLAY	○	○	○	○	○
COMPUTER FUNCTION, SOFTWARE FUCTION	○	○	○	○	○
PROGRAMMABLE LOGIC CONTROL	○	○	○	○	○

ISSUED FOR CONSTRUCTION

SIGNED: _____

DATE: _____

W.O.: _____

S/N: _____

REV	DATE	BY	CHK	APP	DESCRIPTION
1	FEB 09/15	SY			REVISED LINE TAGS
0	NOV 18/14	SY			ISSUED FOR CONSTRUCTION
A	SEP 19/14	SY			ISSUED FOR APPROVAL

DRAWING REVISIONS

ALL DIMENSIONS IN INCHES

ENCANA CORPORATION

36" x 10' SOUR TEST SEPARATOR w/
5- WELL GROUP HEADER

NWP INDUSTRIES LP

P.O. BOX 6280, INNISFAIL, AB T4G 1S9
PH: (403) 227-4100 FAX: (403) 227-4102

SCALE: N.T.S.

WEIGHT: (APPROX. LBS)

PIPING AND INSTRUMENTATION DIAGRAM LEGEND

DWN: SY

CHK: _____

APP: _____

DATE: SEP 19/14

DATE: FEB 17 2015

DATE: FEB 17 2015

SHEET: 6 OF 6

DWG: 09207-001-P-000

REV: 1