

CONTINUED ON SECTION C

CONTINUED ON SECTION B

- ⊙ ESD SYSTEM LOCATION
- ⊙ ALARM HORN/LIGHT
- ⊙ VES MONITOR LIGHT
- ▨ EMERGENCY MEETING AREA
- PERSONNEL DATE
- CHAIN LINK FENCE
- ← EVALUATION ROUTE
- ← FIRE EXTINGUISHER
- ⊕ FIRE HYD. STATION
- ⊕ MONITORING WELL
- ⊕ WIND SOCK
- ⊕ LIGHT POLE

NO.	DATE	PROJECT DESCRIPTION	PROJ.	A/E	EPGM Co.	EPGM No.	APPD.
1	2007-04-23	AS BUILT			DPA		

REV. NUMBER	ISSUE STAGE	DATE	BY	CHKD.	APPD.
1	Bid (A)				
	Comp. (B)				
	As-Built (C)				

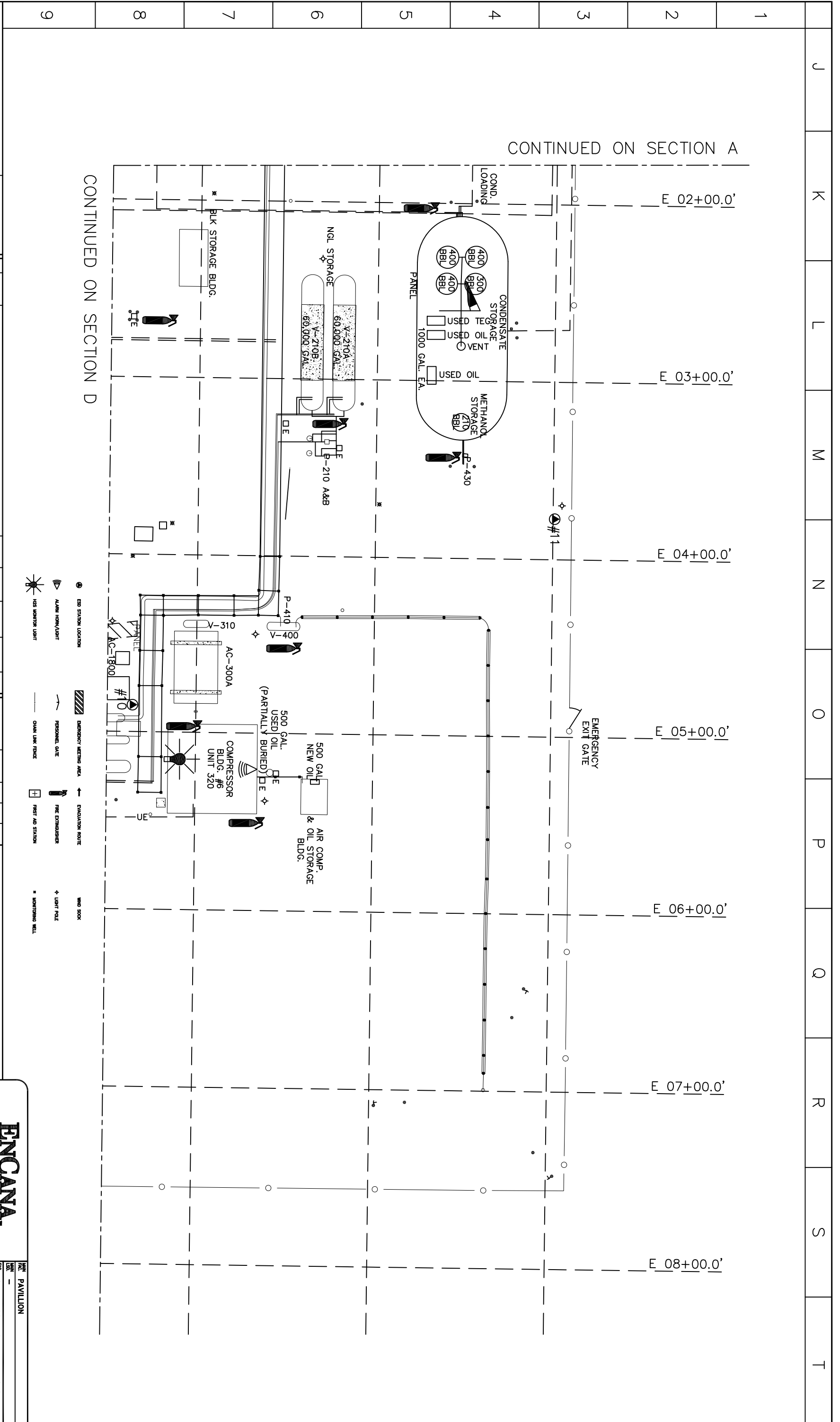
PERMIT STAMP	ENGINEER'S STAMP

**ENCANA**

FOR DELTA POWER AND AUTOMATION, INC.  
EMERGENCY PLOT PLAN  
SECTION A

SCALE: 1:1 (A1 SIZE)

CLASS FILE NO. PAV002A



CONTINUED ON SECTION A

CONTINUED ON SECTION D

- ESB STATION LOCATION
- ALARM HORN/LIGHT
- ESB MONITOR LIGHT
- EMERGENCY MEETING AREA
- PERSONNEL GATE
- CHAIN LINK FENCE
- EVACUATION ROUTE
- FIRE EXTINGUISHER
- FIRST AID STATION
- MONITORING WELL
- WIND SOCK
- LIGHT POLE

REFERENCE DRAWINGS

DWG. NO.	NO.	DATE
	A	2007-04-23

PROJECT DESCRIPTION

NO.	DATE	AS BUILT

ISSUE STAGE

ISSUE STAGE	DATE	BY	CHKD.	APPD.
Permit (A)				
Bid (B)				
Comm. (C)				
As-Built (D)				

PERMIT STAMP AND PROFESSIONAL STAMP APPLIED ABOVE SHALL APPLY ONLY TO REV(A)

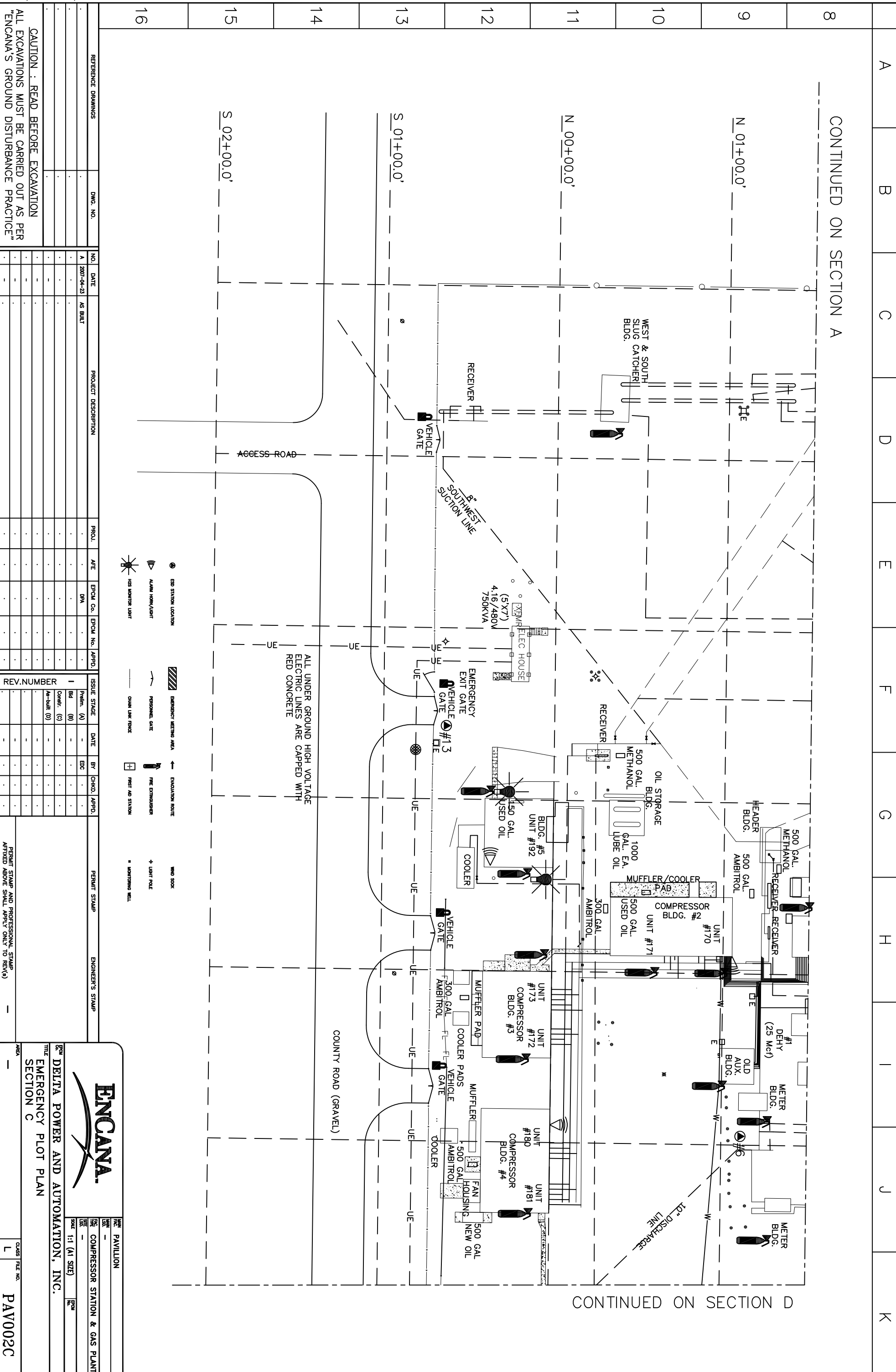
**ENCANA**

DELTA POWER AND AUTOMATION, INC.

EMERGENCY PLOT PLAN SECTION B

SCALE: 1:1 (A1 SIZE)

CLASS FILE NO. PAV002B



CONTINUED ON SECTION A

CONTINUED ON SECTION D

REFERENCE DRAWINGS

DWG. NO.	NO.	DATE	PROJECT DESCRIPTION	PROJ.	A/E	EPGM Co.	EPGM No.	APPL.
	A	2007-04-23	AS BUILT					

ISSUE STAGE	DATE	BY	CHKD.	APPL.
Permit (A)				
Bld				
Comm. (C)				
As-Built (D)				

PERMIT STAMP AND PROFESSIONAL STAMP APPLIED ABOVE SHALL APPLY ONLY TO REV(A)

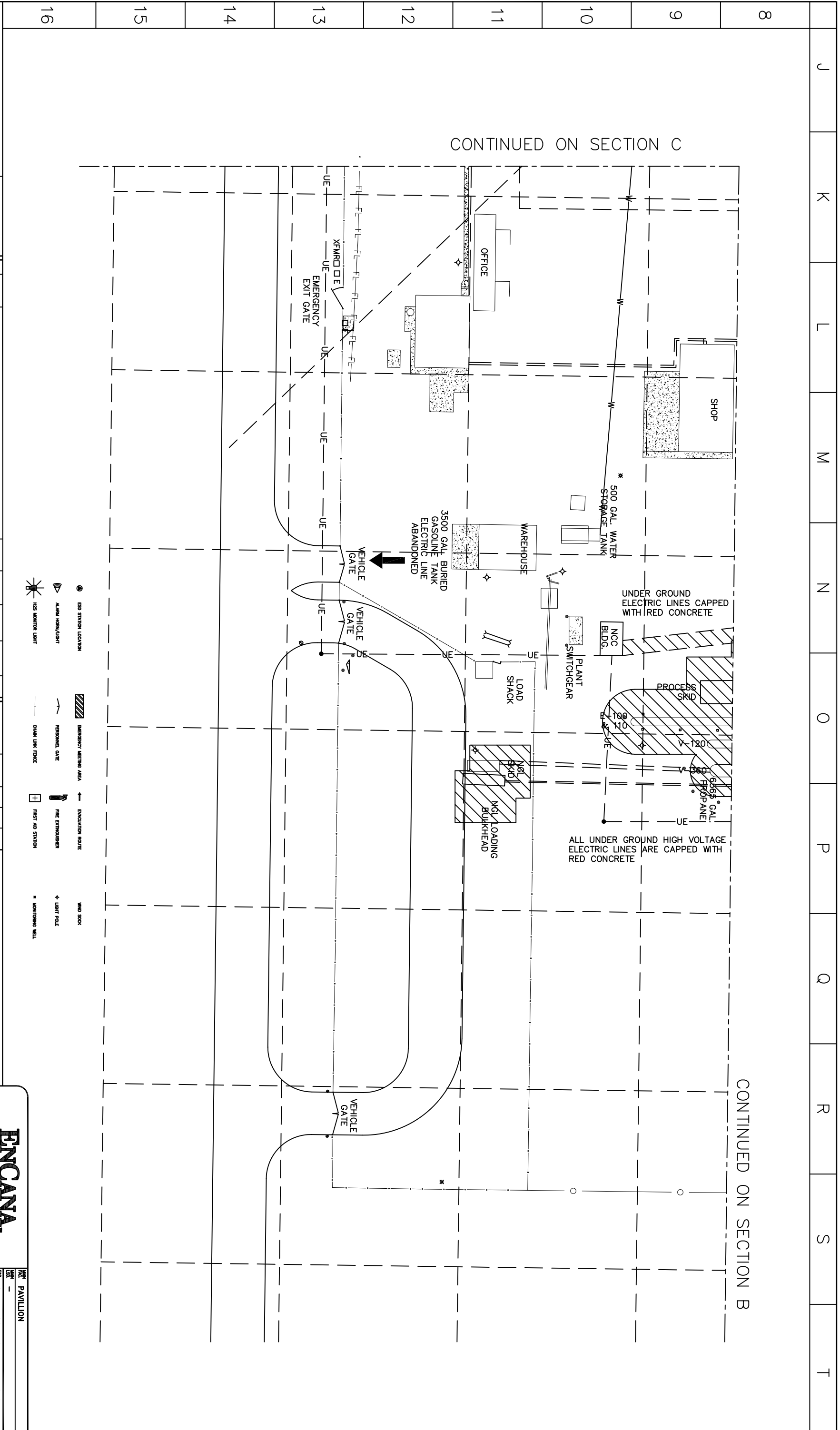
- ESD SYSTEM LOCATION
- ALARM HORN/LIGHT
- HIS MONITOR LIGHT
- EMERGENCY MEETING AREA
- PERSONNEL GATE
- CHAIN LINK FENCE
- EVACUATION ROUTE
- FIRE EXTINGUISHER
- FIRST AID STATION
- WIND SOCK
- LIGHT POLE
- MONITORING WELL

CAUTION : READ BEFORE EXCAVATION  
ALL EXCAVATIONS MUST BE CARRIED OUT AS PER ENCANNA'S GROUND DISTURBANCE PRACTICE



ENCANA  
DELTA POWER AND AUTOMATION, INC.  
EMERGENCY PLOT PLAN  
SECTION C

DATE	SCALE	CLASS FILE NO.
	1:1 (A1 SIZE)	L
PAYOUT2C		



REFERENCE DRAWINGS

DWG. NO.	NO.	DATE	PROJECT DESCRIPTION	PROJ.	A/E	EPGM Co.	EPGM No.	APPL.
	A	2007-04-23	AS BUILT					

CAUTION : READ BEFORE EXCAVATION  
ALL EXCAVATIONS MUST BE CARRIED OUT AS PER "ENCANA'S GROUND DISTURBANCE PRACTICE"

REV. NUMBER

ISSUE STAGE	DATE	BY	CHKD.	APPL.
Permit (A)				
Bid (B)				
Contract (C)				
As-Built (D)				

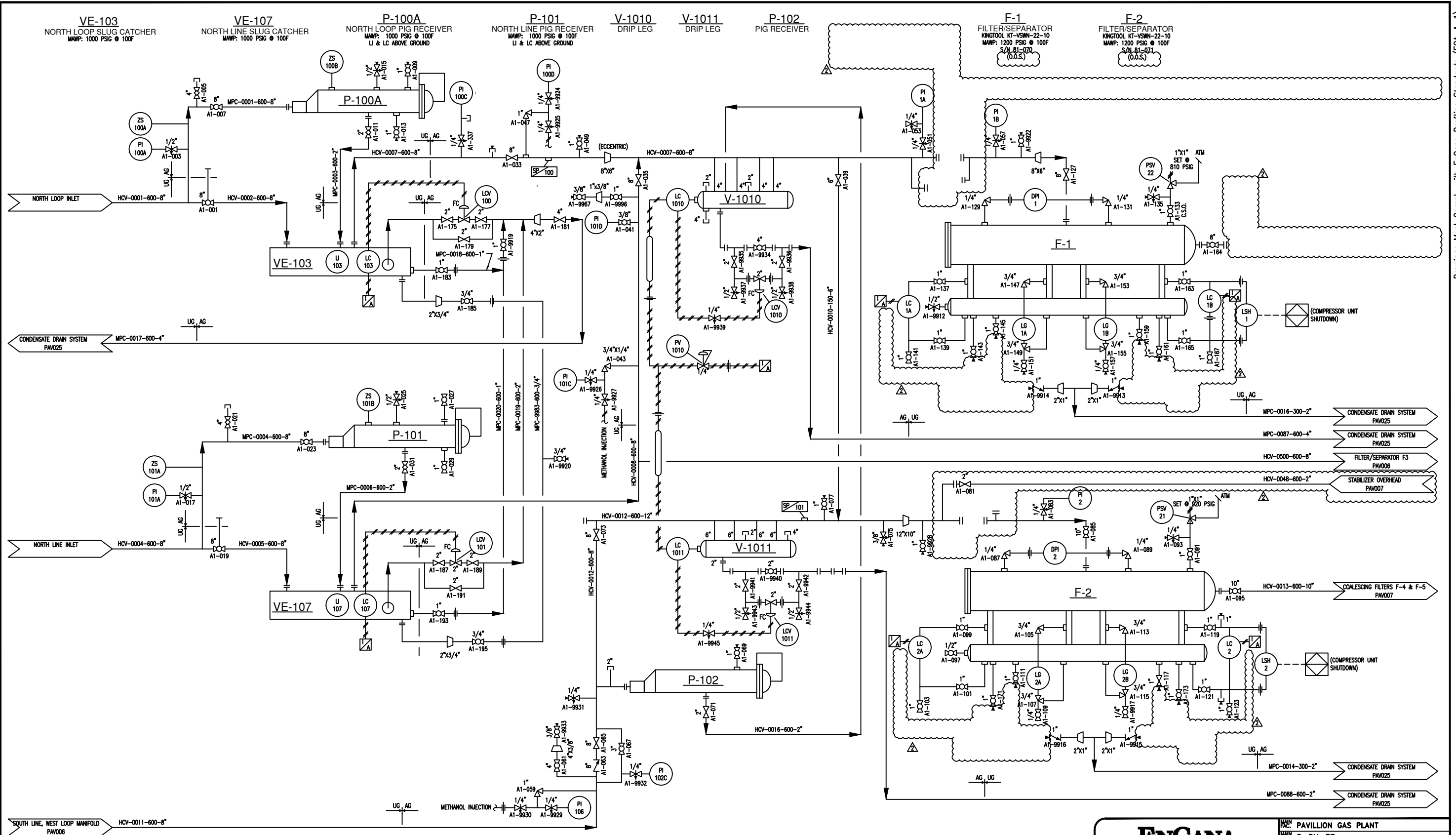
PERMIT STAMP AND PROFESSIONAL STAMP  
APPLIED ABOVE SHALL APPLY ONLY TO REV(A)

**ENCANA**

DELTA POWER AND AUTOMATION, INC.  
EMERGENCY PLOT PLAN  
SECTION D

AREA: PAVILLION  
CLASS FILE NO.: L PAV002D

Date Time



Drawings Must Comply with Encana Drafting Standards (ECA-A-1)

T-A010A.DWG (ENCANA: D Size Title Block) v.4

**CAUTION : READ BEFORE EXCAVATION**  
 ALL EXCAVATIONS MUST BE CARRIED OUT AS PER "ENCANA'S GROUND DISTURBANCE PRACTICE"

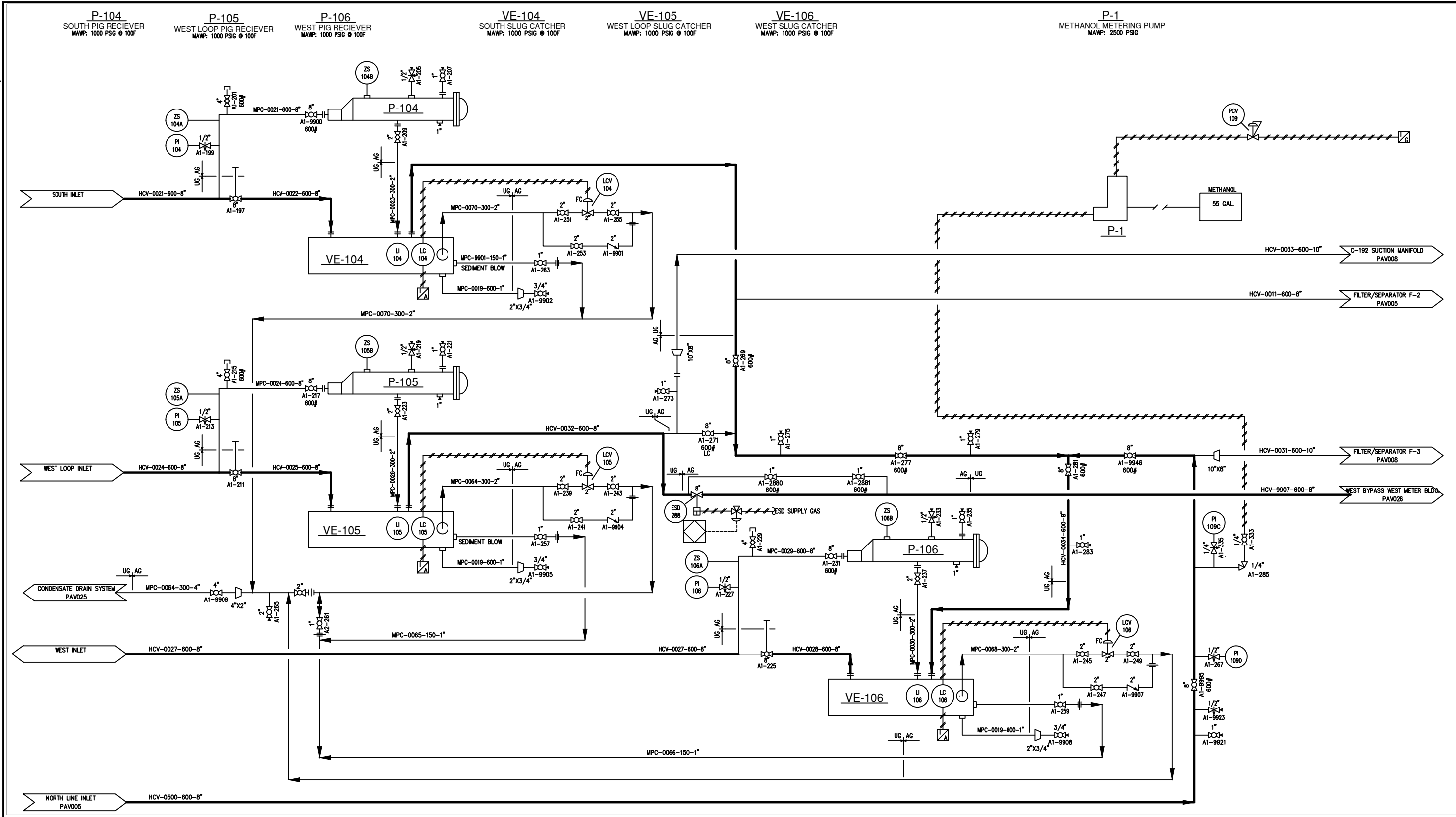
NO.	DATE	PROJECT DESCRIPTION	PROJ.	AFE	EPCM Co.	EPCM No.	APPD.
A	2006-12-15	CAD REDRAFT			PEARL	10-0460	GAF
B	2007-01-15	INCORPORATE CLIENT COMMENTS			PEARL	10-0460	GAF
C	2008-03-31	MODIFIED LINE HCV-0011-600-8" DESCRIPTION TO REFLECT PAV006 CHANGES			DELTA POWER		EDC
1	2012-10-15	JT PLANT PIPING ADDITIONS			ECA		TCM
2	2014-06-06	REVISED PER CLIENT COMMENTS					

REV. NUMBER	ISSUE STAGE	DATE	BY	CHKD.	APPD.	PERMIT STAMP	ENGINEER'S STAMP
01	Prelim. (A)	2007-01-03	TSG	RWG	GAF		
02	Bld (B)	2007-03-31	RME				
03	As-built (D)	2008-03-31	EDC	MH	MH		

MAIN PAVILLION GAS PLANT	
PLAN 5-3N-3E	
TYPE COMPRESSOR STATION	
SCALE 5-3N-3E	
SCALE 1:1 (A1 SIZE)	EPCM No. 10-0460
<b>PEARL DEVELOPMENT COMPANY</b>	
<b>PIPING AND INSTRUMENTATION DIAGRAM</b>	
<b>INLET FILTER/SEPARATOR</b>	
AREA <b>WIND RIVER</b>	CLASS FILE NO. <b>PAV005</b>

PERMIT STAMP AND PROFESSIONAL STAMP  
 AFFIXED ABOVE SHALL APPLY ONLY TO REV(S)

Date and Time Saved: 2012-05-31, 1:25 PM



PLOTTED: 6/10/2014 2:43:55 PM, BY: RUBIN PORTILLO  
 LAST SAVED: 6/6/2014 3:20:42 PM, BY: MARRINSTRONG

REFERENCE DRAWINGS	DWG. NO.

NO.	DATE	PROJECT DESCRIPTION	PROJ.	AFE	EPCM Co.	EPCM No.	APPD.
A	2006-11-17	CAD REDRAFT	-	-	PEARL	10-0460	GAF
B	2007-01-15	INCORPORATE CLIENT COMMENTS	-	-	PEARL	10-0460	-
C	2008-03-31	CHANGE FILTER/SEPARATOR F-2 FEED LOCATION FROM VE-106 TO VE-104	-	-	DELTA POWER	-	EDC
D	2011-11-22	MOC 2011-0161-022 A1 288 ROV	-	-	ENCANA	-	-
E	2012-05-18	ESD SUPPLY GAS TO A1 288 ROV	-	-	ENCANA	-	-
1	2012-10-15	UPDATED DRAWING PER WALKDOWN	-	-	ECA	-	TCM

ISSUE STAGE	DATE	BY	CHKD.	APPD.	PERMIT STAMP	ENGINEER'S STAMP
Prelim. (A)	2007-01-02	ZMR	RWG	GAF		
Bid (B)	-	TSG	-	-		
As-built (D)	2008-03-31	EDC	MH	MH		

PAVILLION GAS PLANT	
LINE	5-3N-3E
TYPE	COMPRESSOR STATION
AREA	5-3N-3E
SCALE	1:1 (A1 SIZE)
EPC No.	10-0460

**PEARL DEVELOPMENT COMPANY**

**PIPING AND INSTRUMENTATION DIAGRAM**

**INLET FILTER/SEPARATOR**

AREA	CLASS	FILE NO.
WIND RIVER	L	PAV006

**CAUTION : READ BEFORE EXCAVATION**  
 ALL EXCAVATIONS MUST BE CARRIED OUT AS PER "ENCANA'S GROUND DISTURBANCE PRACTICE"

PERMIT STAMP AND PROFESSIONAL STAMP  
 AFFIXED ABOVE SHALL APPLY ONLY TO REV(S)

Drawings Must Comply with Encana Drafting Standards (ECA-DDM-S-01)  
 FILE: G:\ENCANA\1080-01 ENCANA PAVILLION PLANT REDLINE PICK UP\3.0 DESIGN\PID DWG\REVISED PID\PAV006.DWG

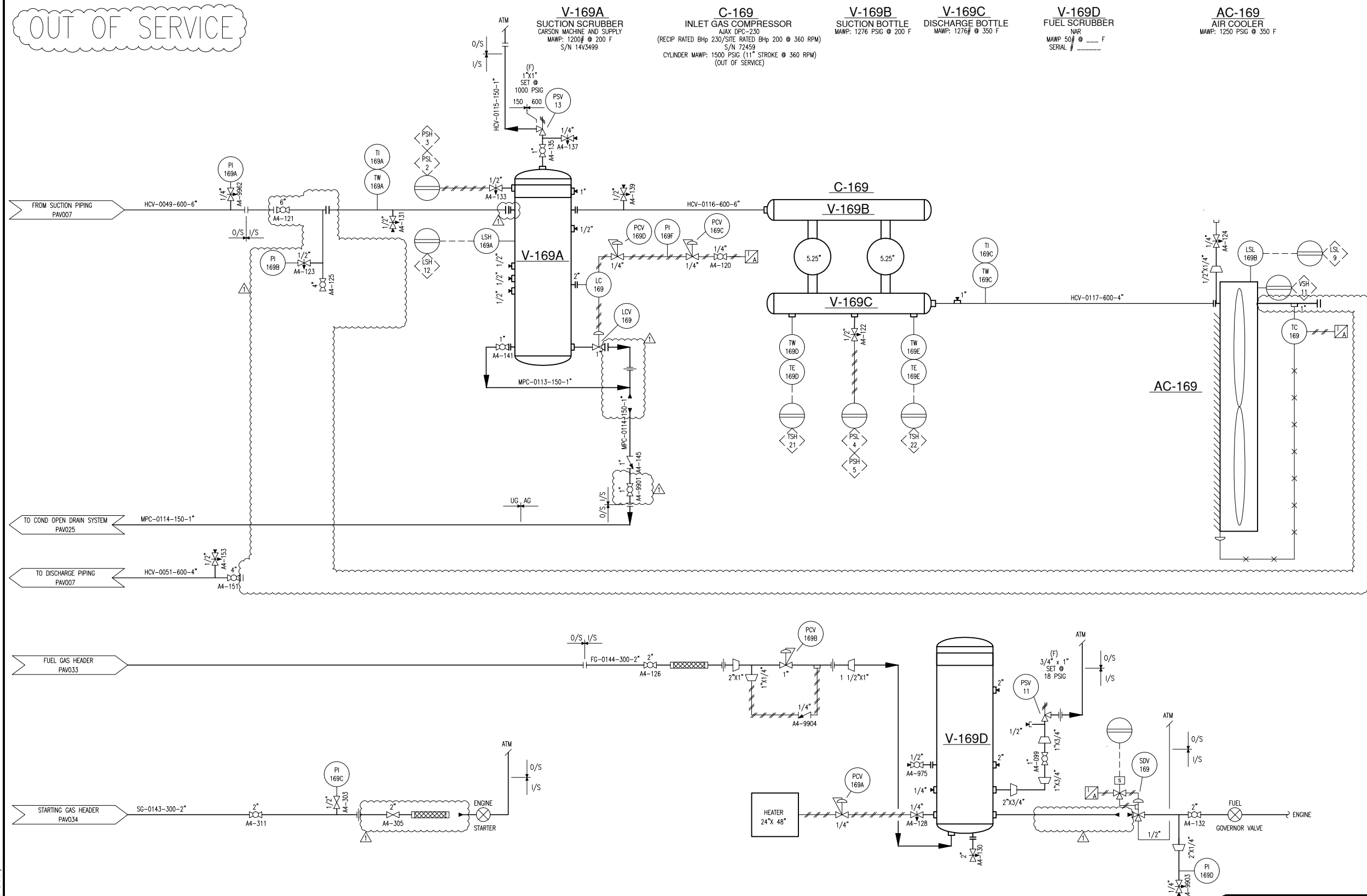






Date Time

OUT OF SERVICE



- SHUTDOWNS
- (GENERAL ALARM)
  - (PAVL)
- C-169 LOCAL CONTROL PANEL**
- (2) SUCTION PRESS. LOW
  - (3) SUCTION PRESS. HIGH
  - (4) DISCHARGE PRESS. LOW
  - (5) DISCHARGE PRESS. HIGH
  - (7) ENGINE LUBE NO FLOW
  - (8) COMPRESSOR LUBE NO FLOW
  - (9) COOLER WATER LEVEL LOW
  - (10) ENGINE VIBRATION HIGH
  - (11) COOLER VIBRATION HIGH
  - (12) SCRUBBER LIQUID LEVEL HIGH
  - (14) ENGINE OIL LEVEL LOW
  - (15) ENGINE LUBE OIL LEVEL LOW
  - (16) COMPRESSOR LUBE OIL LEVEL LOW
  - (17) ENGINE WATER TEMP. HIGH
  - (18) COMPRESSOR WATER TEMP. HIGH
  - (19) CYL #1 EXHAUST TEMP. HIGH
  - (20) CYL #2 EXHAUST TEMP. HIGH
  - (21) CYL #1 DISCHARGE TEMP. HIGH
  - (22) CYL #2 DISCHARGE TEMP. HIGH
  - (31) STATION REMOTE SHUTDOWN
  - (32) ENGINE OVER SPEED
  - (40) ANNUNCIATOR MANUAL STOP

T-A010ADWG (ENCANA - D Size Title Block) v.4

REFERENCE DRAWINGS

NO.	DATE	PROJECT DESCRIPTION	PROJ.	AFE	EPCM Co.	EPCM No.	APPD.
A	2006-11-15	CAD REDRAFT	-	-	PEARL	10-0460	GAF
B	2007-01-15	INCORPORATE CLIENT COMMENTS	-	-	PEARL	10-0460	-
C	2010-09-06	ADD 1" VALVE A4-9901 TO BOTTOM OF SUCTION SCRUBBER	-	-	DELTA POWER	-	-
D	2014-02-06	INCORPORATE CLIENT COMMENTS PER MDC #2014-0058	-	-	-	-	-
1	2014-07-22	REVISED PER CLIENT COMMENTS	-	-	-	-	-

**CAUTION : READ BEFORE EXCAVATION**  
ALL EXCAVATIONS MUST BE CARRIED OUT AS PER "ENCANA'S GROUND DISTURBANCE PRACTICE"

REV. NUMBER	ISSUE STAGE	DATE	BY	CHKD.	APPD.	PERMIT STAMP	ENGINEER'S STAMP
1	Prelim. (A)	2006-12-11	ACW	RWG	GAF		
	Bid (B)	-	-	-	-		
	Constr. (C)	-	-	-	-		
	As-built (D)	-	-	-	-		

NO.	DATE	PROJECT DESCRIPTION	PROJ.	AFE	EPCM Co.	EPCM No.	APPD.
A	2006-11-15	CAD REDRAFT	-	-	PEARL	10-0460	GAF
B	2007-01-15	INCORPORATE CLIENT COMMENTS	-	-	PEARL	10-0460	-
C	2010-09-06	ADD 1" VALVE A4-9901 TO BOTTOM OF SUCTION SCRUBBER	-	-	DELTA POWER	-	-
D	2014-02-06	INCORPORATE CLIENT COMMENTS PER MDC #2014-0058	-	-	-	-	-
1	2014-07-22	REVISED PER CLIENT COMMENTS	-	-	-	-	-

**ENCANA.**

MANUFACTURER: PAVILLION GAS PLANT  
 MAIN LINE: 5-3N-3E  
 TYPE: COMPRESSOR STATION  
 SUB: 5-3N-3E  
 SCALE: 1:1 (A1 SIZE)  
 EPCM NO.: 10-0460

**PEARL DEVELOPMENT COMPANY**

TITLE: PIPING AND INSTRUMENTATION DIAGRAM  
 SUCTION & DISCHARGE PIPING C-169

AREA: WIND RIVER  
 CLASS: L  
 FILE NO.: PAV009

Drawings Must Comply with EnCana Drafting Standards (ECA-A-1)

FILE

Date and Time Saved: 2011-11-14, 8:19 AM

OUT OF SERVICE

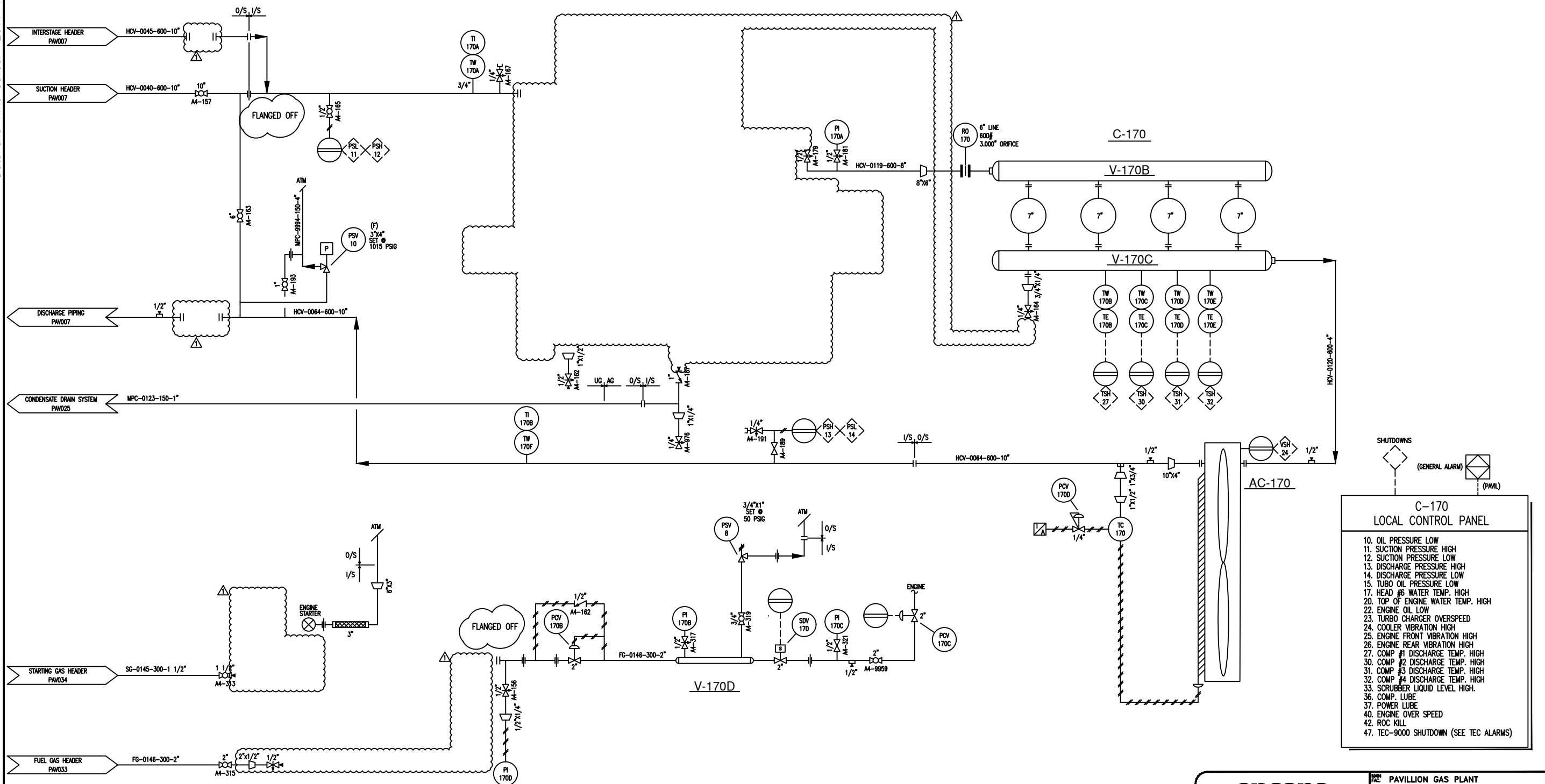
V-170D  
FUEL GAS SCRUBBER

C-170  
INLET GAS COMPRESSOR  
1/R 12V5 ( RECP RATED BHP 1000/SITE RATED BHP 1000 @ 450 RPM)  
COMP. MAMP: 1150 PSIG (1" STROKE @ 450 RPM)  
S/N 12V5-132

V-170B  
SUCTION BOTTLE  
MAMP: 1150 PSIG

V-170C  
DISCHARGE BOTTLE  
MAMP: 1150 PSIG

AC-170  
AIR COOLER  
SMITHCO  
MAMP (GAS): 1000 @ 350°F  
MAMP (LIQUID): 100 @ 250°F  
S/N 66-604A1, B1, C1



SHUTDOWNS

(GENERAL ALARM)

(PAWL)

C-170 LOCAL CONTROL PANEL

10. OIL PRESSURE LOW
11. SUCTION PRESSURE HIGH
12. SUCTION PRESSURE LOW
13. DISCHARGE PRESSURE HIGH
14. DISCHARGE PRESSURE LOW
15. TURBO OIL PRESSURE LOW
17. HEAD #6 WATER TEMP. HIGH
20. TOP OF ENGINE WATER TEMP. HIGH
22. ENGINE OIL LOW
23. TURBO CHARGER OVERSPEED
24. COOLER VIBRATION HIGH
25. ENGINE FRONT VIBRATION HIGH
26. ENGINE REAR VIBRATION HIGH
27. COMP #1 DISCHARGE TEMP. HIGH
30. COMP #2 DISCHARGE TEMP. HIGH
31. COMP #3 DISCHARGE TEMP. HIGH
32. COMP #4 DISCHARGE TEMP. HIGH
33. SCRUBBER LIQUID LEVEL HIGH
36. COMP. LUBE
37. POWER LUBE
40. ENGINE OVER SPEED
42. ROC KILL
47. TEC-9000 SHUTDOWN (SEE TEC ALARMS)

PLOTTED: 6/10/2014 2:53:57 PM, BY: RUBIN PORTILLO  
 LAST SAVED: 6/9/2014 3:57:41 PM, BY: MARMSTRONG

**CAUTION : READ BEFORE EXCAVATION**  
 ALL EXCAVATIONS MUST BE CARRIED OUT AS PER  
 "ENCANA'S GROUND DISTURBANCE PRACTICE"

NO.	DATE	PROJECT DESCRIPTION	PROJ.	AFE	EPCM Co.	EPCM No.	APPD.
A	2006-11-15	CAD REDRAFT	-	-	PEARL	10-0460	GAF
B	2007-01-15	INCORPORATE CLIENT COMMENTS	-	-	PEARL	10-0460	-
C	2011-01-10	OUT OF SERVICE PER MOC PAV 10-04	-	-	-	-	-
1	2014-06-06	REVISED PER CLIENT COMMENTS	-	-	-	-	-

ISSUE STAGE	DATE	BY	CHKD.	APPD.
Prelim. (A)	2006-12-11	ACW	RWG	GAF
Bid (B)	-	RME	-	-
Constr. (C)	-	-	-	-
As-built (D)	-	-	-	-

**encana.**  
natural gas

PLANT: PAVILLION GAS PLANT  
 AREA: 5-3N-3E  
 UNIT: COMPRESSOR STATION  
 FILE: 5-3N-3E  
 SCALE: 1:1 (A1 SIZE)  
 EPCM No.: 10-0446

**PEARL DEVELOPMENT COMPANY**

TITLE: PIPING AND INSTRUMENTATION DIAGRAM  
 INLET GAS COMPRESSOR C-170

AREA: WIND RIVER  
 CLASS: L  
 FILE NO.: PAV010

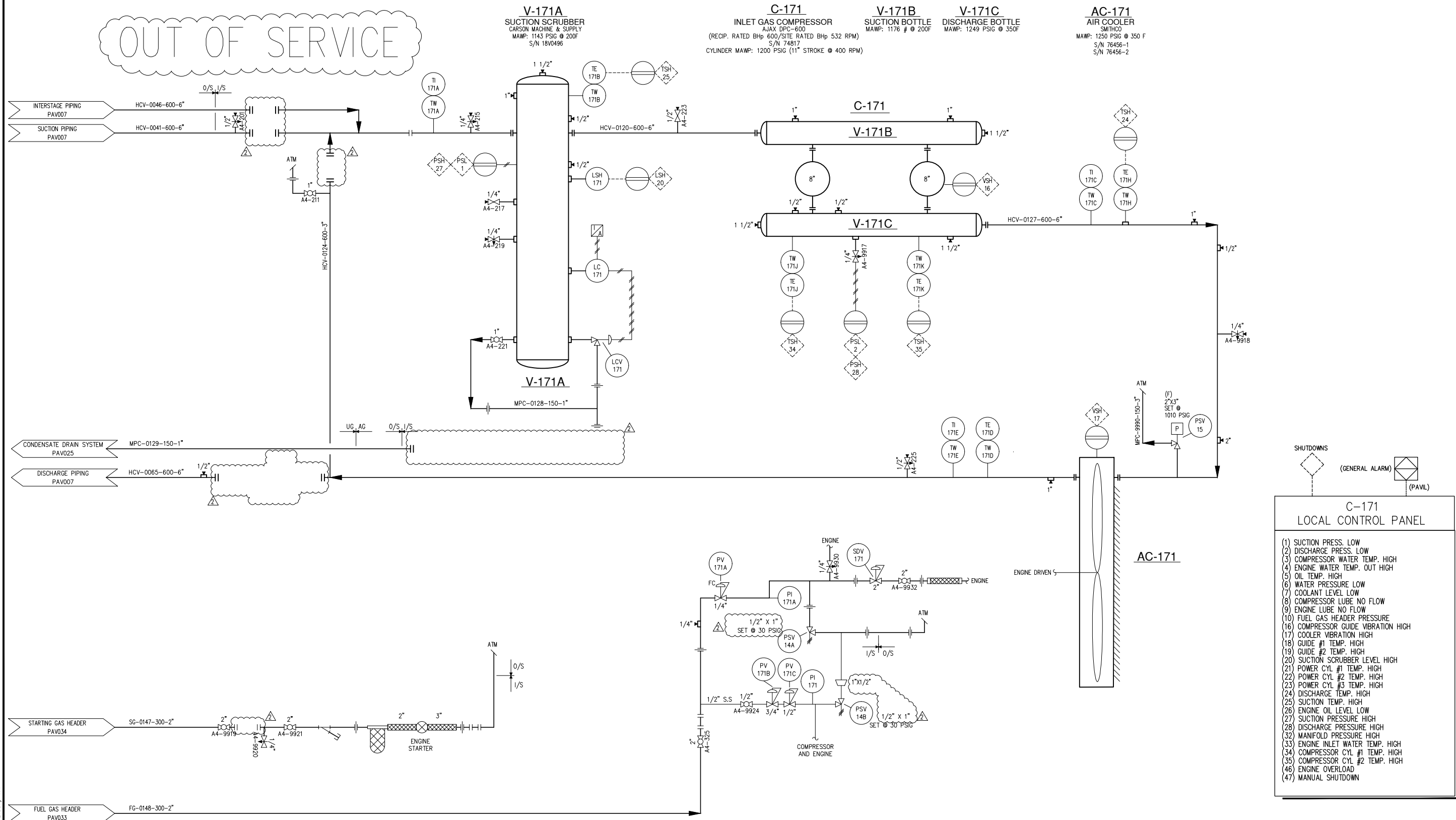
PERMIT STAMP AND PROFESSIONAL STAMP  
 AFFIXED ABOVE SHALL APPLY ONLY TO REV(S)

FILE: C:\ENCANA\1080-01 ENCANA PAVILLION PLANT REDLINE PICK UP\3.0 DESIGN\PID DWG\REVISED PID\PAV010.DWG

Drawings Must Comply with Encana Drafting Standards (ECA-DDM-S-01)

Date Time

OUT OF SERVICE



- C-171 LOCAL CONTROL PANEL**
- (1) SUCTION PRESS. LOW
  - (2) DISCHARGE PRESS. LOW
  - (3) COMPRESSOR WATER TEMP. HIGH
  - (4) ENGINE WATER TEMP. OUT HIGH
  - (5) OIL TEMP. HIGH
  - (6) WATER PRESSURE LOW
  - (7) COOLANT LEVEL LOW
  - (8) COMPRESSOR LUBE NO FLOW
  - (9) ENGINE LUBE NO FLOW
  - (10) FUEL GAS HEADER PRESSURE
  - (11) COMPRESSOR GUIDE VIBRATION HIGH
  - (12) COOLER VIBRATION HIGH
  - (13) GUIDE #1 TEMP. HIGH
  - (14) GUIDE #2 TEMP. HIGH
  - (15) SUCTION SCRUBBER LEVEL HIGH
  - (16) POWER CYL #1 TEMP. HIGH
  - (17) POWER CYL #2 TEMP. HIGH
  - (18) POWER CYL #3 TEMP. HIGH
  - (19) DISCHARGE TEMP. HIGH
  - (20) SUCTION TEMP. HIGH
  - (21) ENGINE OIL LEVEL LOW
  - (22) SUCTION PRESSURE HIGH
  - (23) DISCHARGE PRESSURE HIGH
  - (24) MANIFOLD PRESSURE HIGH
  - (25) ENGINE INLET WATER TEMP. HIGH
  - (26) COMPRESSOR CYL #1 TEMP. HIGH
  - (27) COMPRESSOR CYL #2 TEMP. HIGH
  - (28) ENGINE OVERLOAD
  - (29) MANUAL SHUTDOWN

CAUTION : READ BEFORE EXCAVATION  
ALL EXCAVATIONS MUST BE CARRIED OUT AS PER "ENCANA'S GROUND DISTURBANCE PRACTICE"

NO.	DATE	PROJECT DESCRIPTION	PROJ.	AFE	EPCM Co.	EPCM No.	APPD.
A	2006-11-06	CAD REDRAFT	-	-	PEARL	10-0460	GAF
B	2007-01-15	INCORPORATE CLIENT COMMENTS	-	-	PEARL	10-0460	-
C	2010-09-06	ADDED 1 1/2" VALVE A4-9931 TO THE BOTTOM OF SUCTION SCRUBBER	-	-	DELTA POWER	-	-
1	2013-11-20	CORRECTED PSV-14A SIZE TO 1/2"x1" PER PLANT REDLINES	-	-	-	-	RJB
2	2014-07-22	REVISED AS PER MOC #2013-0445	-	-	-	-	-

**ENCANA.**

MAN PAVILLION GAS PLANT  
 5-3N-3E  
 TYPE COMPRESSOR STATION  
 5-3N-3E  
 SCALE 1:1 (A1 SIZE)  
 EPCM No. 10-0460

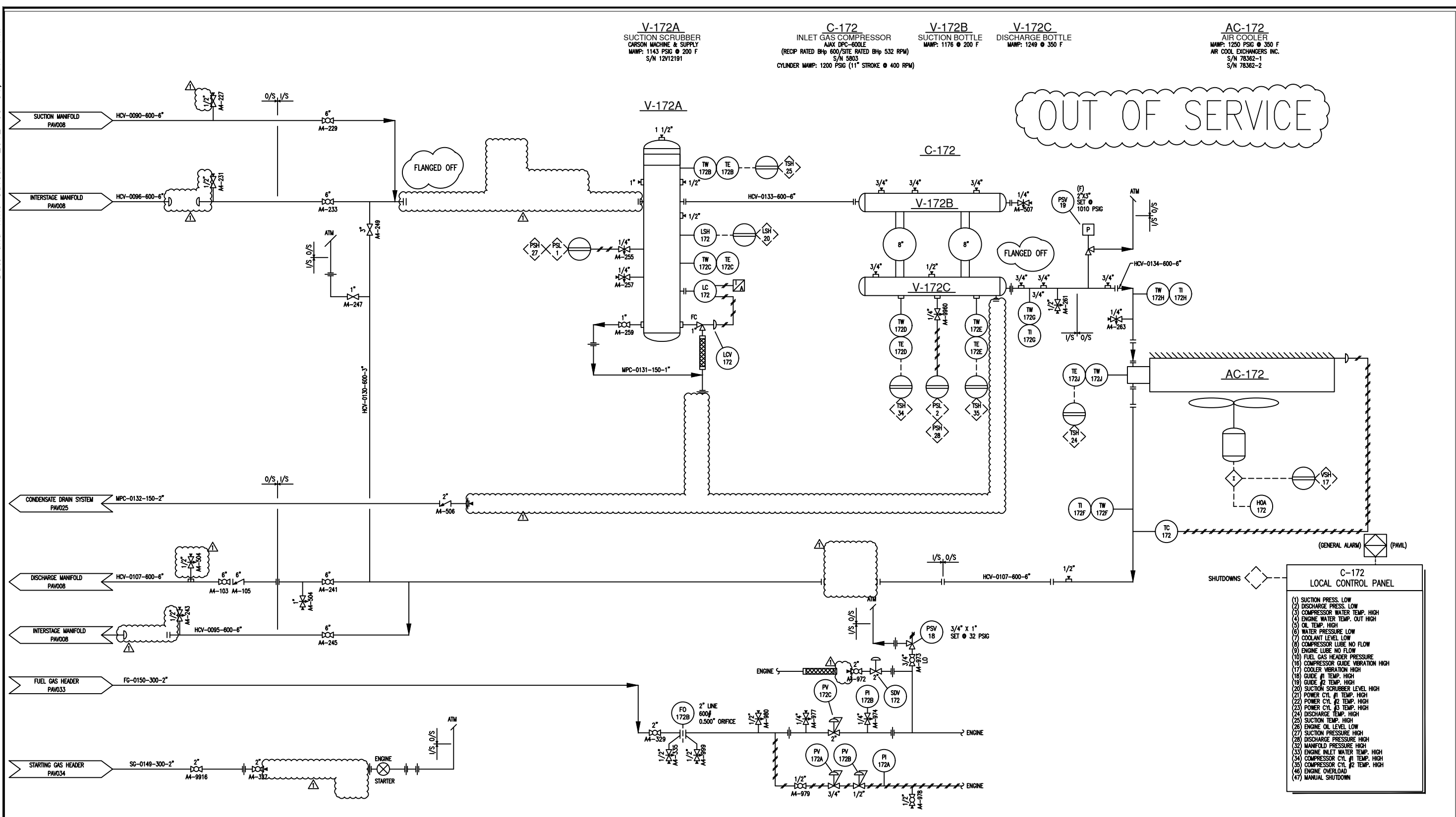
**PEARL DEVELOPMENT COMPANY**

TITLE PIPING AND INSTRUMENTATION DIAGRAM  
 INLET GAS COMPRESSOR C-171

AREA WIND RIVER CLASS L FILE NO. PAV011

Drawings Must Comply with Encana Drafting Standards (ECA-A-1)

Date and Time Saved: 2012-05-31, 1:14 PM



- C-172 LOCAL CONTROL PANEL**
- (1) SUCTION PRESS. LOW
  - (2) DISCHARGE PRESS. LOW
  - (3) COMPRESSOR WATER TEMP. HIGH
  - (4) ENGINE WATER TEMP. OUT HIGH
  - (5) OIL TEMP. HIGH
  - (6) WATER PRESSURE LOW
  - (7) COOLANT LEVEL LOW
  - (8) COMPRESSOR LUBE NO FLOW
  - (9) ENGINE LUBE NO FLOW
  - (10) FUEL GAS HEADER PRESSURE
  - (11) COMPRESSOR GLUE VIBRATION HIGH
  - (12) COOLER VIBRATION HIGH
  - (13) GUIDE #1 TEMP. HIGH
  - (14) GUIDE #2 TEMP. HIGH
  - (15) SUCTION SCRUBBER LEVEL HIGH
  - (16) POWER CYL #1 TEMP. HIGH
  - (17) POWER CYL #2 TEMP. HIGH
  - (18) POWER CYL #3 TEMP. HIGH
  - (19) DISCHARGE TEMP. HIGH
  - (20) SUCTION TEMP. HIGH
  - (21) ENGINE OIL LEVEL LOW
  - (22) SUCTION PRESSURE HIGH
  - (23) DISCHARGE PRESSURE HIGH
  - (24) MANIFOLD PRESSURE HIGH
  - (25) ENGINE INLET WATER TEMP. HIGH
  - (26) COMPRESSOR CYL #1 TEMP. HIGH
  - (27) COMPRESSOR CYL #2 TEMP. HIGH
  - (28) ENGINE OVERLOAD
  - (29) MANUAL SHUTDOWN

**CAUTION : READ BEFORE EXCAVATION**  
 ALL EXCAVATIONS MUST BE CARRIED OUT AS PER "ENCANA'S GROUND DISTURBANCE PRACTICE"

NO.	DATE	PROJECT DESCRIPTION	PROJ.	AFE	EPCM Co.	EPCM No.	APPD.
A	2006-09-29	CAD REDRAFT			PEARL	10-0460	GAF
B	2007-01-15	INCORPORATE CLIENT COMMENTS			PEARL	10-0460	
C	2011-01-10	OUT OF SERVICE PER MOC PAV 10-03					
1	2014-06-06	REVISED PER CLIENT COMMENTS					

ISSUE STAGE	DATE	BY	CHKD.	APPD.
Prelim. (A)	2006-12-11	ACW	RWG	GAF
Bid (B)		RME		
Constr. (C)				
As-built (D)				

**encana.**  
*natural gas*

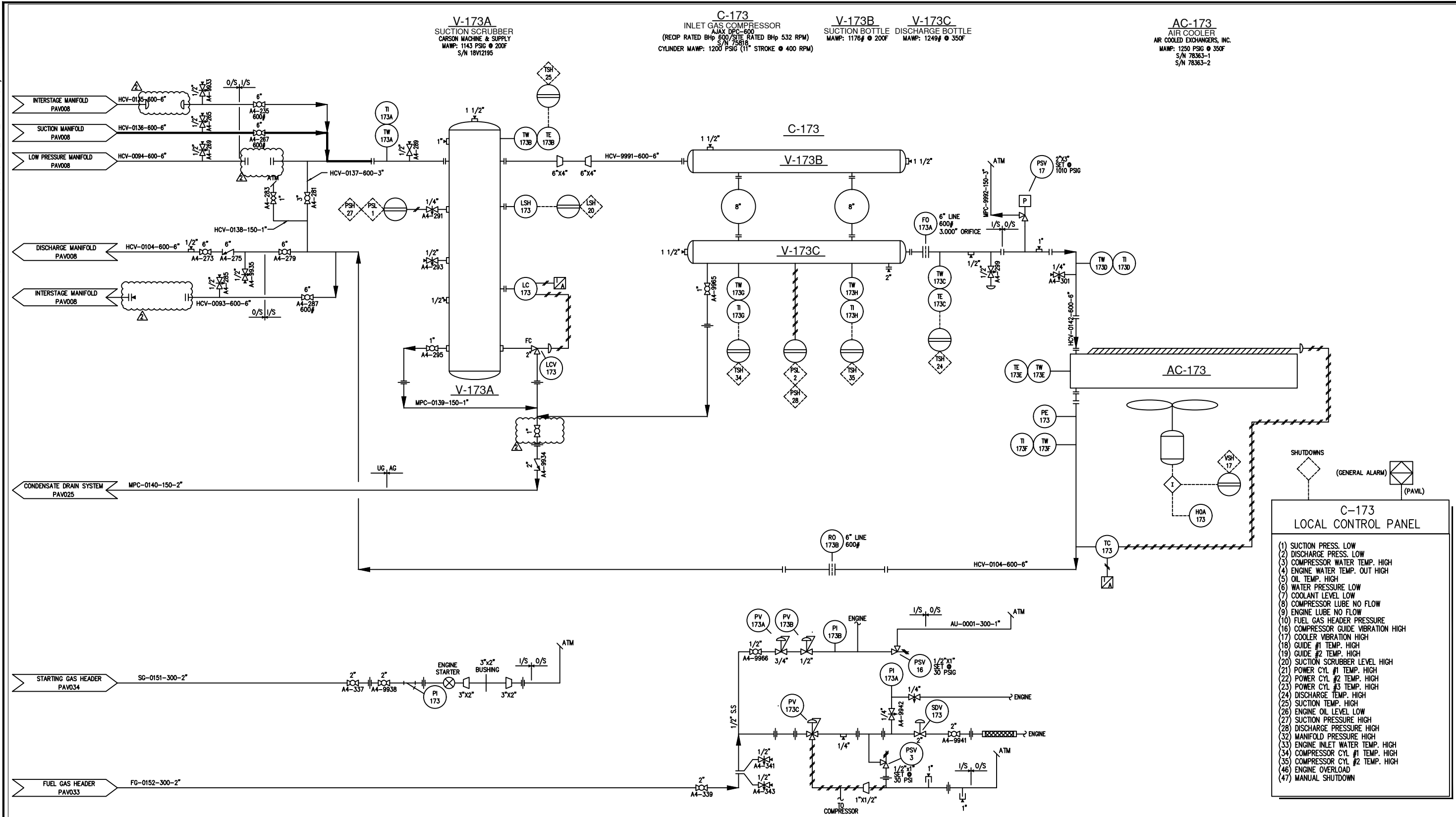
PAVILLION GAS PLANT  
 5-3N-3E  
 COMPRESSOR STATION  
 5-3N-3E  
 SCALE 1:1 (A1 SIZE)  
 EPCM No. 10-0460

**PEARL DEVELOPMENT COMPANY**  
 TITLE PIPING AND INSTRUMENTATION DIAGRAM  
 INLET GAS COMPRESSION C-172  
 AREA WIND RIVER CLASS L FILE NO. PAV012

PLOTTED: 6/10/2014 2:55:32 PM, BY: RUBIN PORTILLO  
 LAST SAVED: 6/9/2014 3:57:39 PM, BY: MARIANSTRONG

Drawings Must Comply with Encana Drafting Standards (ECA-DDM-S-01)  
 FILE: C:\ENCANA\1080-01 ENCANA PAVILLION PLANT REDLINE PICK UP\3.0 DESIGN\PID DWG\REVISED PID\PAV012.DWG

Date and Time Saved: 2012-05-31, 1:10 PM



- C-173 LOCAL CONTROL PANEL**
- (1) SUCTION PRESS. LOW
  - (2) DISCHARGE PRESS. LOW
  - (3) COMPRESSOR WATER TEMP. HIGH
  - (4) ENGINE WATER TEMP. OUT HIGH
  - (5) OIL TEMP. HIGH
  - (6) WATER PRESSURE LOW
  - (7) COOLANT LEVEL LOW
  - (8) COMPRESSOR LUBE NO FLOW
  - (9) ENGINE LUBE NO FLOW
  - (10) FUEL GAS HEADER PRESSURE
  - (16) COMPRESSOR GUIDE VIBRATION HIGH
  - (17) COOLER VIBRATION HIGH
  - (18) GUIDE #1 TEMP. HIGH
  - (19) GUIDE #2 TEMP. HIGH
  - (20) SUCTION SCRUBBER LEVEL HIGH
  - (21) POWER CYL #1 TEMP. HIGH
  - (22) POWER CYL #2 TEMP. HIGH
  - (23) POWER CYL #3 TEMP. HIGH
  - (24) DISCHARGE TEMP. HIGH
  - (25) SUCTION TEMP. HIGH
  - (26) ENGINE OIL LEVEL LOW
  - (27) SUCTION PRESSURE HIGH
  - (28) DISCHARGE PRESSURE HIGH
  - (32) MANIFOLD PRESSURE HIGH
  - (33) ENGINE INLET WATER TEMP. HIGH
  - (34) COMPRESSOR CYL #1 TEMP. HIGH
  - (35) COMPRESSOR CYL #2 TEMP. HIGH
  - (46) ENGINE OVERLOAD
  - (47) MANUAL SHUTDOWN

PLOTTER: 6/10/2014 2:56:25 PM, BY: RUBIN, PORTILLO  
LAST SAVED: 6/6/2014 3:28:27 PM, BY: MARMSTRONG

**CAUTION : READ BEFORE EXCAVATION**  
ALL EXCAVATIONS MUST BE CARRIED OUT AS PER "ENCANA'S GROUND DISTURBANCE PRACTICE"

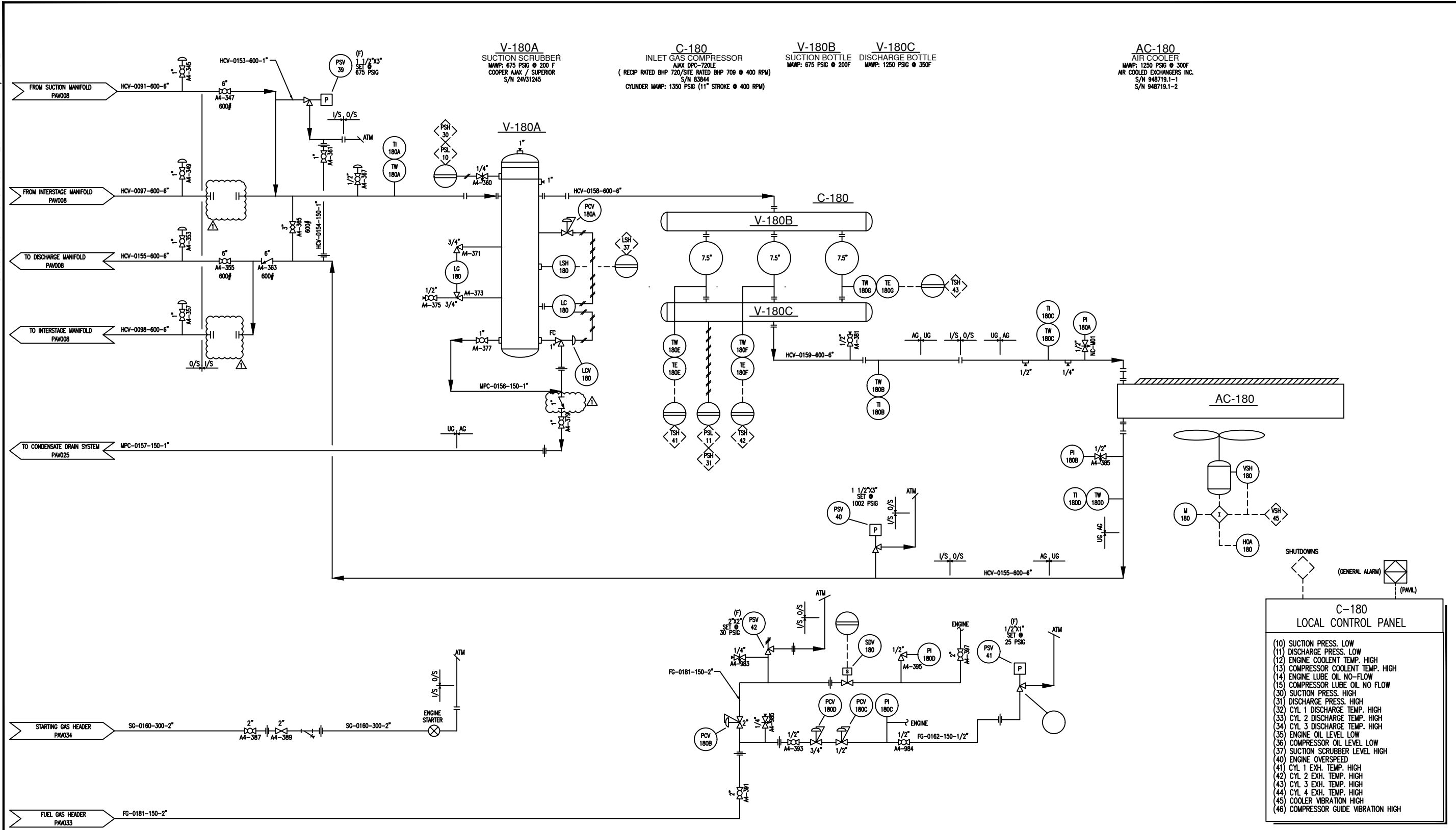
NO.	DATE	PROJECT DESCRIPTION	PROJ.	AFE	EPCM Co.	EPCM No.	APPD.
A	2006-11-07	CAD REDRAFT	-	-	PEARL	10-0460	GAF
B	2007-01-15	INCORPORATE CLIENT COMMENTS	-	-	PEARL	10-0460	-
C	2011-11-22	PSV-17 PSIG Correction per Walkdown	-	-	-	-	-
1	2012-10-15	SUCTION AND DISCH BOTTLE REPLACED WITH C-172'S, CONFIRMED PER WALKDOWN	-	-	-	-	TCM
2	2014-06-06	REVISED PER CLIENT COMMENTS	-	-	-	-	-

REV. NUMBER	ISSUE STAGE	DATE	BY	CHKD.	APPD.
01	Prelim. (A)	2006-12-11	ZMR	RWG	GAF
02	Bld (B)	-	RME	-	-
03	Constr. (C)	-	-	-	-
04	As-built (D)	-	-	-	-

PAVILLION GAS PLANT	
5-3N-3E	
COMPRESSOR STATION	
5-3N-3E	
SCALE: 1:1 (A1 SIZE)	EPCM No. 10-0460
<b>PEARL DEVELOPMENT COMPANY</b>	
<b>PIPING AND INSTRUMENTATION DIAGRAM</b>	
<b>INLET GAS COMPRESSOR C-173</b>	
AREA: WIND RIVER	CLASS / FILE NO.: L / PAV013

Drawings Must Comply with Encana Drafting Standards (ECA-DDM-S-01) FILE: C:\ENCANA\14080-01 ENCANA PAVILLION PLANT REDLINE PICK UP\3.0 DESIGN\PID DWG\REVISED PID\PAV013.DWG

Date and Time Saved: 2011-11-14 8:21 AM



- C-180 LOCAL CONTROL PANEL**
- (10) SUCTION PRESS. LOW
  - (11) DISCHARGE PRESS. LOW
  - (12) ENGINE COOLENT TEMP. HIGH
  - (13) COMPRESSOR COOLENT TEMP. HIGH
  - (14) ENGINE LUBE OIL NO-FLOW
  - (15) COMPRESSOR LUBE OIL NO FLOW
  - (30) SUCTION PRESS. HIGH
  - (31) DISCHARGE PRESS. HIGH
  - (32) CYL 1 DISCHARGE TEMP. HIGH
  - (33) CYL 2 DISCHARGE TEMP. HIGH
  - (34) CYL 3 DISCHARGE TEMP. HIGH
  - (35) ENGINE OIL LEVEL LOW
  - (36) COMPRESSOR OIL LEVEL LOW
  - (37) SUCTION SCRUBBER LEVEL HIGH
  - (40) ENGINE OVERSPEED
  - (41) CYL 1 EXH. TEMP. HIGH
  - (42) CYL 2 EXH. TEMP. HIGH
  - (43) CYL 3 EXH. TEMP. HIGH
  - (44) CYL 4 EXH. TEMP. HIGH
  - (45) COOLER VIBRATION HIGH
  - (46) COMPRESSOR GUIDE VIBRATION HIGH

**CAUTION : READ BEFORE EXCAVATION**  
 ALL EXCAVATIONS MUST BE CARRIED OUT AS PER "ENCANA'S GROUND DISTURBANCE PRACTICE"

NO.	DATE	PROJECT DESCRIPTION	PROJ.	AFE	EPCM Co.	EPCM No.	APPD.
A	2006-11-15	CAD REDRAFT	-	-	PEARL	10-0460	GAF
B	2007-01-15	INCORPORATE CLIENT COMMENTS	-	-	PEARL	10-0460	-
C	2011-11-22	PSV-39 PSIG Correction per Walkdown	-	-	-	-	-
1	2014-06-6	REVISED PER CLIENT COMMENTS	-	-	-	-	-

ISSUE STAGE	DATE	BY	CHKD.	APPD.
Prelim. (A)	2006-12-11	ACW	RWG	GAF
Bld (B)	-	-	-	-
Constr. (C)	-	-	-	-
As-built (D)	-	-	-	-

**encana.**  
*natural gas*

PLANT: PAVILLION GAS PLANT  
 AREA: 5-3N-3E  
 TITLE: COMPRESSOR STATION  
 SCALE: 1:1 (A1 SIZE)  
 EPCM NO.: 10-0460

**PEARL DEVELOPMENT COMPANY**

TITLE: PIPING AND INSTRUMENTATION DIAGRAM  
 INLET GAS COMPRESSOR C-180

AREA: WIND RIVER CLASS: L FILE NO.: PAV014

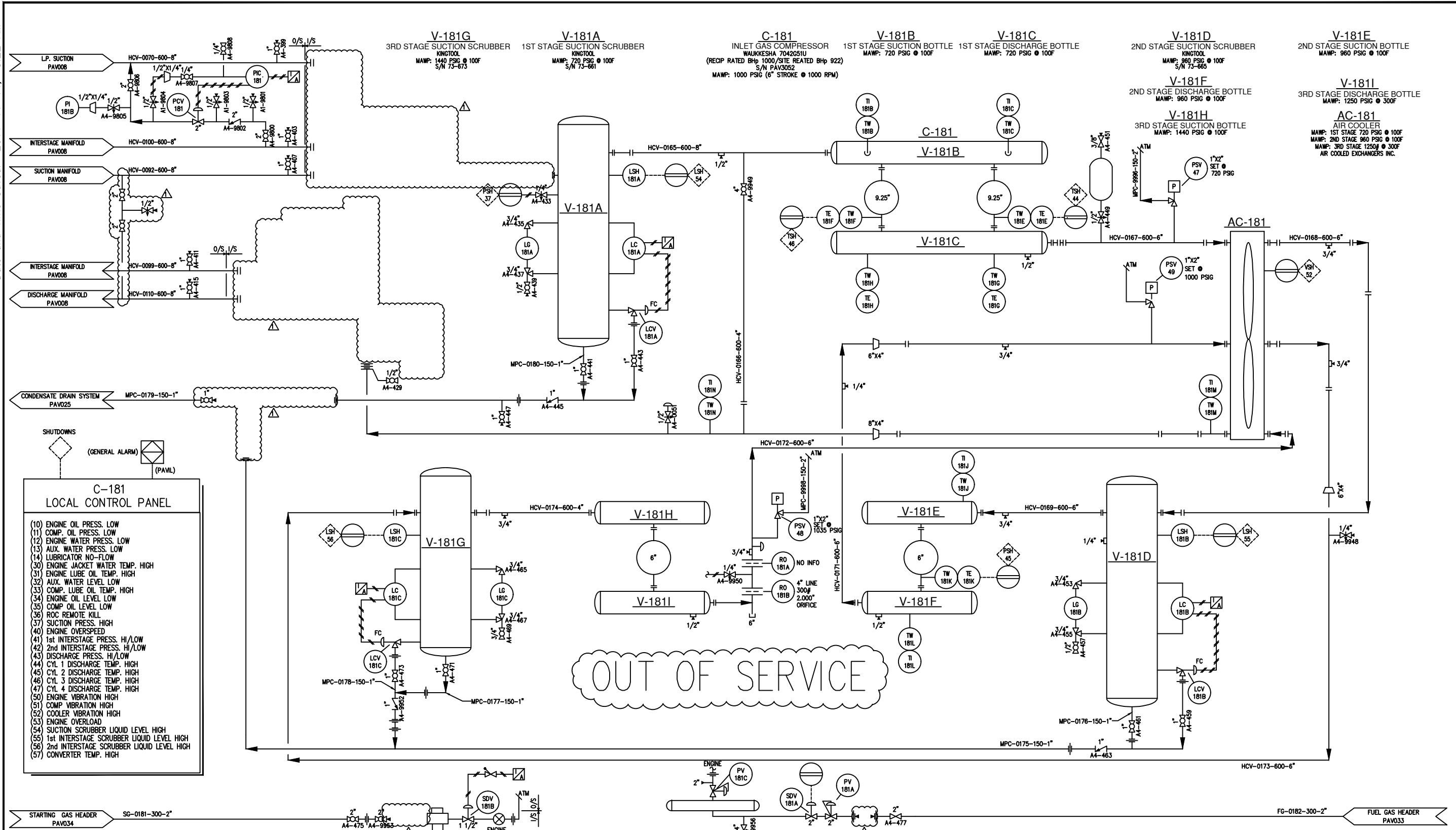
PERMIT STAMP AND PROFESSIONAL STAMP  
 AFFIXED ABOVE SHALL APPLY ONLY TO REV(S)

PLOTTED: 6/10/2014 2:57:06 PM, BY: RUBIN PORTILLO  
 LAST SAVED: 6/6/2014 3:28:26 PM, BY: MARIANSTRONG

FILE: G:\ENCANA\14080-01 ENCANA PAVILLION PLANT REDLINE PICK UP\3.0 DESIGN\PID DWG\REVISED PID\PAV014.DWG

Drawings Must Comply with Encana Drafting Standards (ECA-DDW-S-01)

Date and Time Saved: 2011-11-14, 8:22 AM



- C-181 LOCAL CONTROL PANEL**
- (10) ENGINE OIL PRESS. LOW
  - (11) COMP. OIL PRESS. LOW
  - (12) ENGINE WATER PRESS. LOW
  - (13) AUX. WATER PRESS. LOW
  - (14) LUBRICATOR NO-FLOW
  - (30) ENGINE JACKET WATER TEMP. HIGH
  - (31) ENGINE LUBE OIL TEMP. HIGH
  - (32) AUX. WATER LEVEL LOW
  - (33) COMP. LUBE OIL TEMP. HIGH
  - (34) ENGINE OIL LEVEL LOW
  - (35) COMP OIL LEVEL LOW
  - (36) ROC REMOTE KILL
  - (37) SUCTION PRESS. HIGH
  - (40) ENGINE OVERSPEED
  - (41) 1st INTERSTAGE PRESS. HI/LOW
  - (42) 2nd INTERSTAGE PRESS. HI/LOW
  - (43) DISCHARGE PRESS. HI/LOW
  - (44) CYL 1 DISCHARGE TEMP. HIGH
  - (45) CYL 2 DISCHARGE TEMP. HIGH
  - (46) CYL 3 DISCHARGE TEMP. HIGH
  - (47) CYL 4 DISCHARGE TEMP. HIGH
  - (50) ENGINE VIBRATION HIGH
  - (51) COMP VIBRATION HIGH
  - (52) COOLER VIBRATION HIGH
  - (53) ENGINE OVERLOAD
  - (54) SUCTION SCRUBBER LIQUID LEVEL HIGH
  - (55) 1st INTERSTAGE SCRUBBER LIQUID LEVEL HIGH
  - (56) 2nd INTERSTAGE SCRUBBER LIQUID LEVEL HIGH
  - (57) CONVERTER TEMP. HIGH

OUT OF SERVICE

**CAUTION : READ BEFORE EXCAVATION**  
 ALL EXCAVATIONS MUST BE CARRIED OUT AS PER "ENCANA'S GROUND DISTURBANCE PRACTICE"

NO.	DATE	PROJECT DESCRIPTION	PROJ.	AFE	EPCM Co.	EPCM No.	APPD.	ISSUE STAGE	DATE	BY	CHKD.	APPD.	PERMIT STAMP	ENGINEER'S STAMP
A	2006-11-09	CAD REDRAFT	-	-	PEARL	10-0460	GAF	Prelim. (A)	2006-12-11	ZMR	RWG	GAF		
B	2007-01-15	INCORPORATE CLIENT COMMENTS	-	-	PEARL	10-0460	-	Bid (B)	-	RME	-	-		
C	2011-01-10	BLINDED AND OUT OF SERVICE PER MOC(2011-295)	-	-	-	-	-	Constr. (C)	-	-	-	-		
1	2014-06-06	REVISED PER CLIENT COMMENTS	-	-	-	-	-	As-built (D)	-	-	-	-		

**PEARL DEVELOPMENT COMPANY**

**PIPING AND INSTRUMENTATION DIAGRAM**

**1st STAGE INLET GAS COMPRESSOR C-181**

PROJECT	PAVILLION GAS PLANT
LINE NO.	5-3N-3E
UNIT	COMPRESSOR STATION
SCALE	1:1 (A1 SIZE)
EPC No.	10-0460
AREA	WIND RIVER
CLASS	L
FILE NO.	PAV015

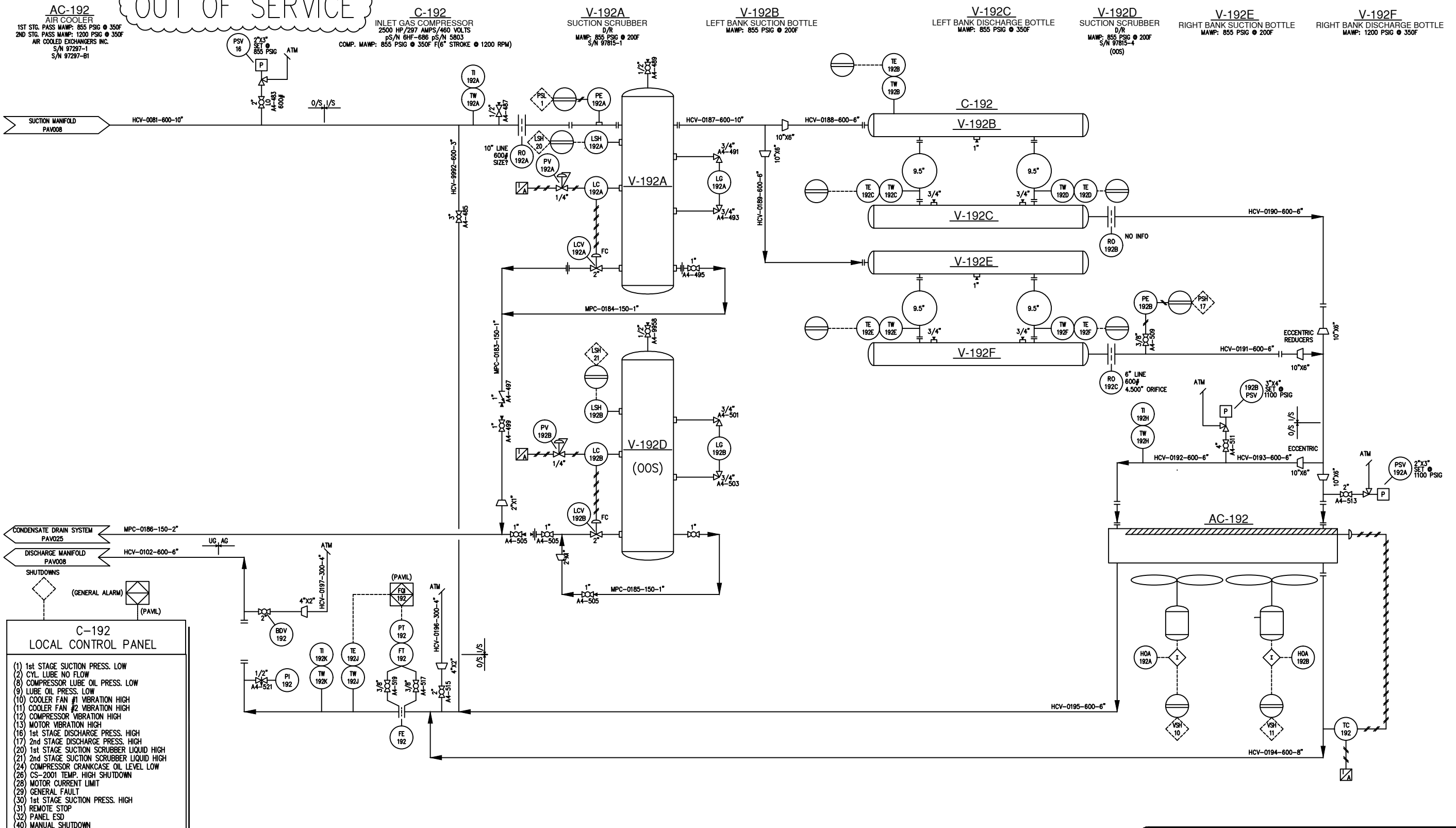
PLOTTER: 6/10/2014 2:56:06 PM, BY: RUBIN PORTILLO  
 LAST SAVED: 6/9/2014 3:57:56 PM, BY: MARNSTRONG

FILE: C:\ENCANA\1080-01 ENCANA PAVILLION PLANT REDLINE PICK UP\3.0 DESIGN\PID DWG\REVISED PID\PAV015.DWG

Drawings Must Comply with Encana Drafting Standards (ECA-DDM-S-01)

Date and Time Saved: 2011-11-14, 8:22 AM

**OUT OF SERVICE**



- C-192 LOCAL CONTROL PANEL**
- (1) 1st STAGE SUCTION PRESS. LOW
  - (2) CYL. LUBE NO FLOW
  - (8) COMPRESSOR LUBE OIL PRESS. LOW
  - (9) LUBE OIL PRESS. LOW
  - (10) COOLER FAN #1 VIBRATION HIGH
  - (11) COOLER FAN #2 VIBRATION HIGH
  - (12) COMPRESSOR VIBRATION HIGH
  - (13) MOTOR VIBRATION HIGH
  - (16) 1st STAGE DISCHARGE PRESS. HIGH
  - (17) 2nd STAGE DISCHARGE PRESS. HIGH
  - (20) 1st STAGE SUCTION SCRUBBER LIQUID HIGH
  - (21) 2nd STAGE SUCTION SCRUBBER LIQUID HIGH
  - (24) COMPRESSOR CRANKCASE OIL LEVEL LOW
  - (26) CS-2001 TEMP. HIGH SHUTDOWN
  - (28) MOTOR CURRENT LIMIT
  - (29) GENERAL FAULT
  - (30) 1st STAGE SUCTION PRESS. HIGH
  - (31) REMOTE STOP
  - (32) PANEL ESD
  - (40) MANUAL SHUTDOWN

**CAUTION : READ BEFORE EXCAVATION**  
 ALL EXCAVATIONS MUST BE CARRIED OUT AS PER "ENCANA'S GROUND DISTURBANCE PRACTICE"

NO.	DATE	PROJECT DESCRIPTION	PROJ.	AFE	EPCM Co.	EPCM No.	APPD.
A	2006-11-13	CAD REDRAFT	-	-	PEARL	10-0460	GAF
B	2007-01-15	INCORPORATE CLIENT COMMENTS	-	-	PEARL	10-0460	-
C	2011-11-22	PSV-192B PSIG Correction per Walkdown	-	-	-	-	-
D	2014-06-03	INCORPORATED CLIENT COMMENTS PER MOC #2014-0059	-	-	-	-	-

REV. NUMBER	ISSUE STAGE	DATE	BY	CHKD.	APPD.	PERMIT STAMP	ENGINEER'S STAMP
I	Prelim. (A)	2006-12-11	ZMR	RWG	GAF		
	Bid (B)	-	RME	-	-		
	Constr. (C)	-	-	-	-		
	As-built (D)	-	-	-	-		

**encana**  
*natural gas*

PAVILLION GAS PLANT  
 5-3N-3E  
 COMPRESSOR STATION  
 5-3N-3E  
 SCALE 1:1 (A1 SIZE)  
 EPCM NO. 10-0460

**PEARL DEVELOPMENT COMPANY**

TITLE  
**PIPING AND INSTRUMENTATION DIAGRAM  
 INLET GAS COMPRESSOR C-192**

AREA  
**WIND RIVER**

CLASS  
**L**

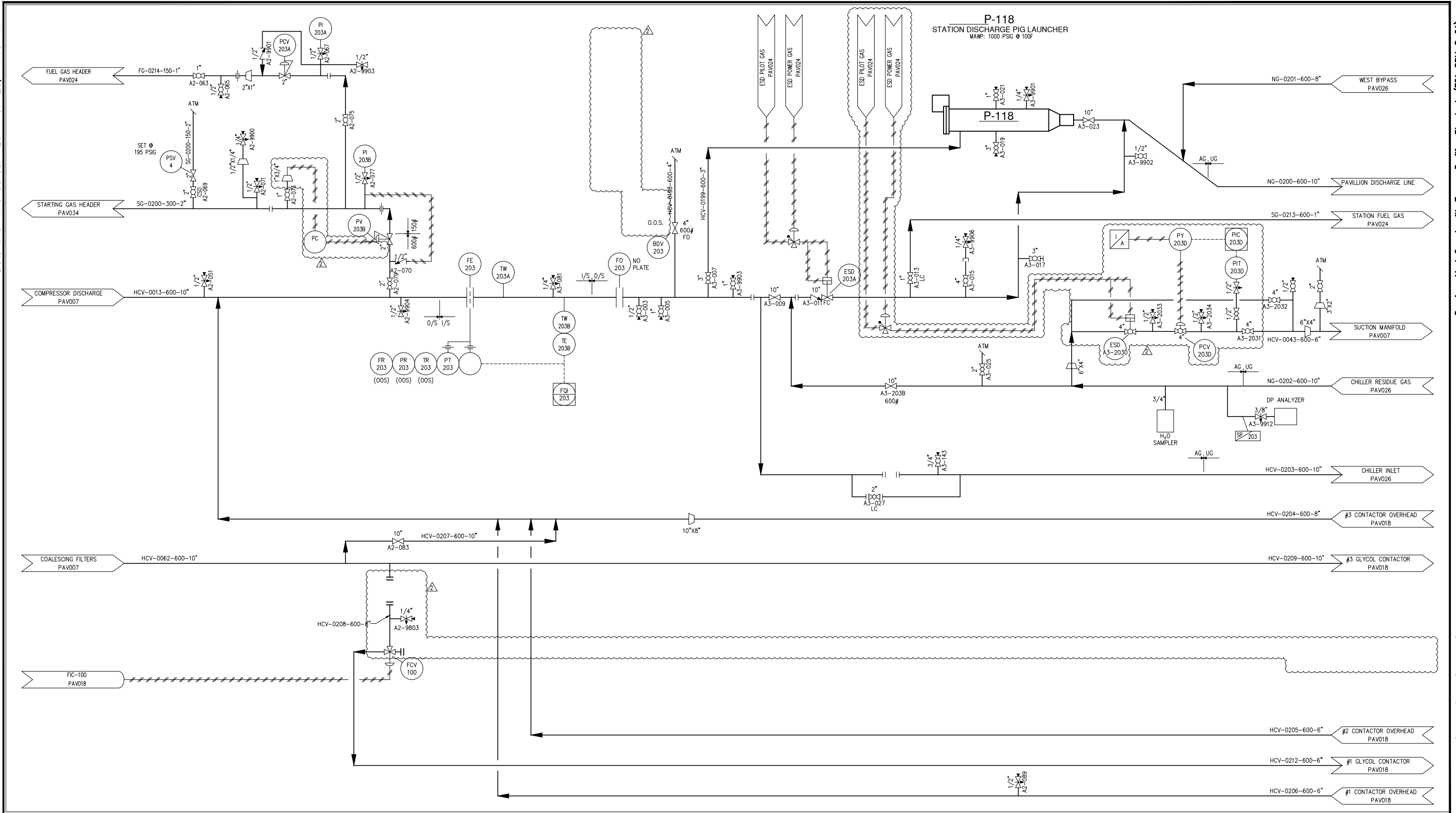
FILE NO.  
**PAV016**

PLOTTED: 6/10/2014 2:56:03 PM, BY: RUBIN PORTILLO  
 LAST SAVED: 6/9/2014 2:50:42 PM, BY: MARNSTRONG

FILE: G:\ENCANA\1080-01 ENCANA PAVILLION PLANT REDLINE PICK UP\3.0 DESIGN\PID DWG\REVISED PID\PAV016.DWG

Drawings Must Comply with Encana Drafting Standards (ECA-DDM-S-01)





PLOTED: 7/29/2014 4:18:05 PM BY: JORGE ESTRELLA  
 LAST SAVED: 7/29/2014 4:13:43 PM BY: JESTRELLA

**CAUTION : READ BEFORE EXCAVATION**  
 ALL EXCAVATIONS MUST BE CARRIED OUT AS PER  
 "ENCANA'S GROUND DISTURBANCE PRACTICE"

NO.	DATE	DESCRIPTION	PROJ.	AFE	EPCM Co.	EPCM No.	APPD.
A	2006-11-13	CAD REDRAFT	-	-	PEARL	10-0460	GAF
B	2007-01-15	INCORPORATE CLIENT COMMENTS	-	-	PEARL	10-0460	-
1	2012-10-15	PIPING CHANGES ADDITIONS FOR JT PROJECT	-	-	ECA	-	-
2	2014-07-22	REVISED PER CLIENT COMMENTS	-	-	-	-	-

REV. NUMBER	ISSUE STAGE	DATE	BY	CHKD.	APPD.	PERMIT STAMP	ENGINEER'S STAMP
01	Prelim. (A)	2007-01-02	ZMR	RWG	GAF		
02	Bld (B)	-	RME	-	-		
03	Constr. (C)	-	-	-	-		
04	As-built (D)	-	-	-	-		

**encana.**  
natural gas

**PEARL DEVELOPMENT COMPANY**

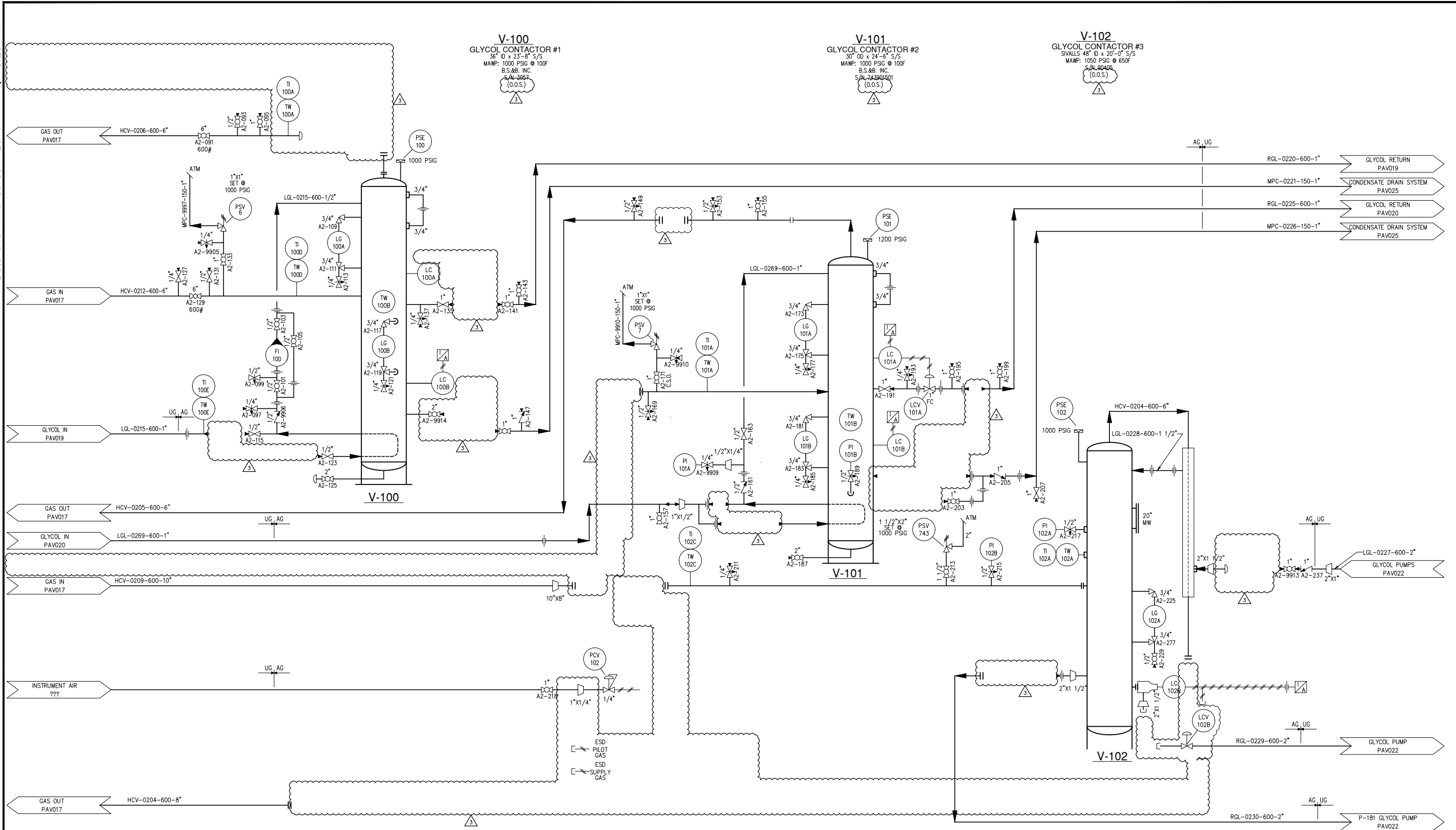
**PIPING AND INSTRUMENTATION DIAGRAM**  
**SUCTION & DISCHARGE OUTLET**

**WIND RIVER**

**ENCANA PAVILLION GAS PLANT**  
 5-3N-3E  
 COMPRESSOR STATION  
 5-3N-3E  
 SCALE: 1:1 (A1 SIZE)  
 EPCM: 10-0460

CLASS: L FILE NO.: PAV017

Date and Time Saved: 2011-11-14, 8:23 AM



**V-100**  
GLYCOL CONTACTOR #1  
36" OD x 23'-8" S/S  
MAWP: 1000 PSIG @ 100F  
B.S. 89, INC.  
S/A: 3657  
(0.0.S.)

**V-101**  
GLYCOL CONTACTOR #2  
30" OD x 24'-6" S/S  
MAWP: 1000 PSIG @ 100F  
B.S. 89, INC.  
S/A: 24391501  
(0.0.S.)

**V-102**  
GLYCOL CONTACTOR #3  
30" OD x 24'-6" S/S  
MAWP: 1050 PSIG @ 650F  
S/A: 90405  
(0.0.S.)

Drawings Must Comply with Encana Drafting Standards (ECA-DDM-S-01)

PLOTED: 7/30/2014 8:29:43 AM BY: JORGE ESTRELLA  
LAST SAVED: 7/30/2014 8:28:13 AM BY: JESTRELLA

REFERENCE DRAWINGS	DWG. NO.

NO.	DATE	PROJECT DESCRIPTION	PROJ.	AFE	EPCM Co.	EPCM No.	APPD.
A	2006-11-14	CAD REDRAFT	-	-	PEARL	10-0460	GAF
B	2007-01-15	INCORPORATE CLIENT COMMENTS	-	-	PEARL	10-0460	-
1	2011-11-22	PSV 6 & PSV 7 PSIG CORRECTED PER WALKDOWN	-	-	-	-	-
2	2013-11-18	PSV 743 SET POINT CORRECTED PER WALKDOWN	-	-	-	-	RJB
3	2014-07-22	REVISED PER CLIENT COMMENTS	-	-	-	-	-

ISSUE STAGE	DATE	BY	CHKD.	APPD.	PERMIT STAMP	ENGINEER'S STAMP
Prelim. (A)	2007-01-02	ZMR	RWG	GAF		
Bld (B)	-	RME	-	-		
Constr. (C)	-	-	-	-		
As-built (D)	-	-	-	-		

**encana.**  
natural gas

**PEARL DEVELOPMENT COMPANY**

**PIPING AND INSTRUMENTATION DIAGRAM  
GLYCOL CONTACTORS**

**WIND RIVER**

PROJECT: PAVILLION GAS PLANT	
LINE: 5-3N-3E	SCALE: 1:1 (A1 SIZE)
STATION: COMPRESSOR STATION	
LINE: 5-3N-3E	EPC No: 10-0460
AREA: L	FILE NO: PAV018

**CAUTION : READ BEFORE EXCAVATION**  
ALL EXCAVATIONS MUST BE CARRIED OUT AS PER "ENCANA'S GROUND DISTURBANCE PRACTICE"

FILE: C:\ENCANA\1080-01 ENCANNA PAVILLION PLANT REDLINE PICK UP\3.0 DESIGN\PID DWG\REVISED PID\PAV018.DWG

Date \_\_\_\_\_ Time \_\_\_\_\_

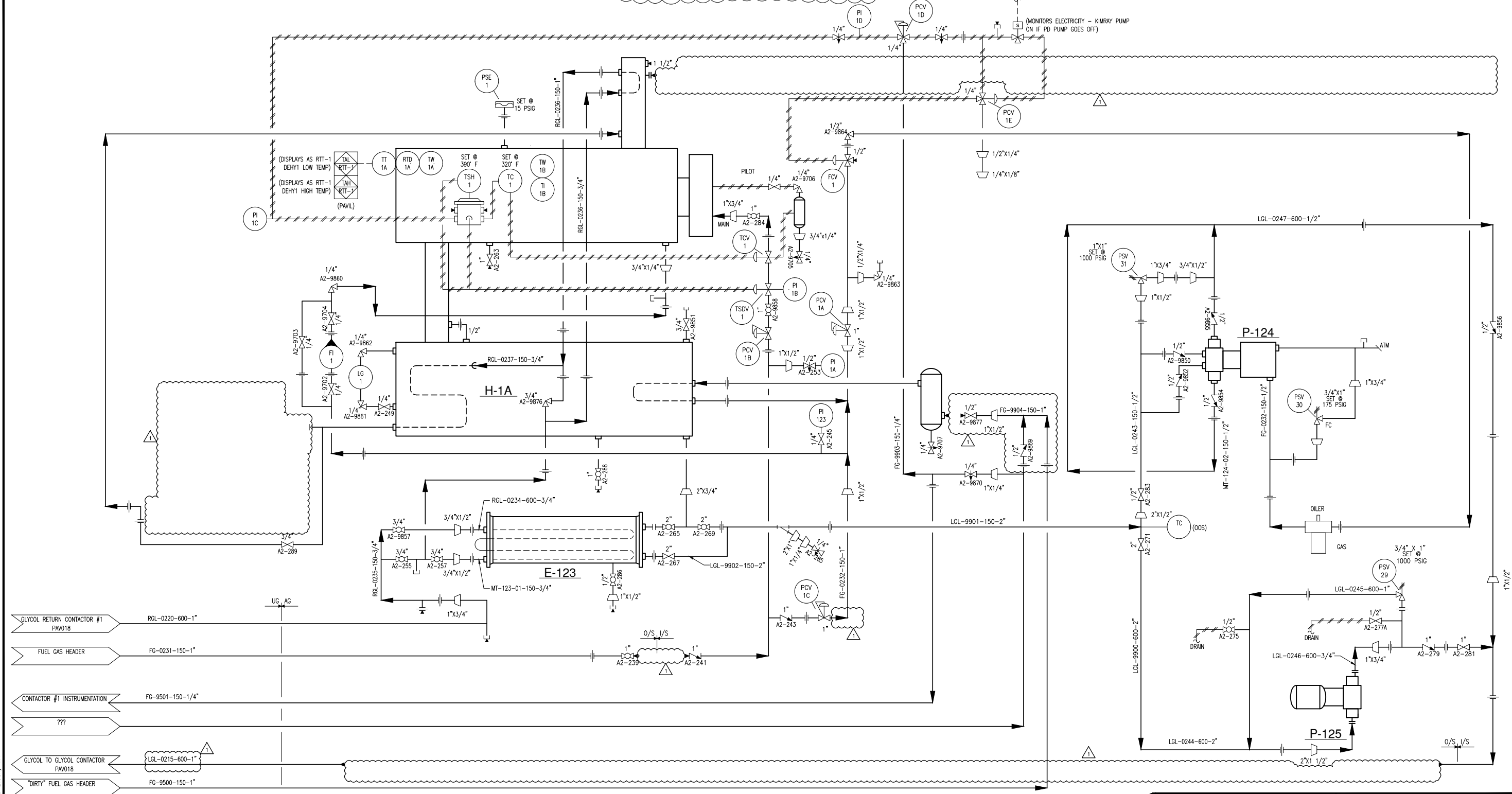
**E-123**  
HEAT EXCHANGER  
MAMP: 15 PSIG

**H-1A**  
DEHY #1 REBOILER  
MAMP: 15 PSIG

OUT OF SERVICE

**P-124**  
GLYCOL PUMP  
B.S.&B.  
MAMP: 1000 PSIG

**P-125**  
GLYCOL PUMP  
3 HP @ 1150 RPM



- GLYCOL RETURN CONTACTOR #1 PAV018 RGL-0220-600-1"
- FUEL GAS HEADER FG-0231-150-1"
- CONTACTOR #1 INSTRUMENTATION FG-9501-150-1/4"
- ???
- GLYCOL TO GLYCOL CONTACTOR PAV018 LGL-0215-600-1"
- "DIRTY" FUEL GAS HEADER FG-9500-150-1"

T-A010ADWG (ENCANA - D Size Title Block) v.4

**CAUTION : READ BEFORE EXCAVATION**  
ALL EXCAVATIONS MUST BE CARRIED OUT AS PER "ENCANA'S GROUND DISTURBANCE PRACTICE"

NO.	DATE	PROJECT DESCRIPTION	PROJ.	AFE	EPCM Co.	EPCM No.	APPD.
A	2006-12-04	CAD REDRAFT			PEARL	10-0460	GAF
B	2007-01-22	INCORPORATE CLIENT COMMENTS			PEARL	10-0460	
1	2014-07-22	REVISED PER CLIENT COMMENTS					

REV. NUMBER	ISSUE STAGE	DATE	BY	CHKD.	APPD.	PERMIT STAMP	ENGINEER'S STAMP
Prelim. (A)		2007-01-02	ZMR	RWG	GAF		
Bid (B)							
Constr. (C)							
As-built (D)							

ENCANA.

MAIN FAC: PAVILLION GAS PLANT  
EPC: 5-3N-3E  
TYPE: COMPRESSOR STATION  
SUB: 5-3N-3E  
SCALE: 1:1 (A1 SIZE) EPCM No. 10-0460

PEARL DEVELOPMENT COMPANY

PIPING AND INSTRUMENTATION DIAGRAM  
GLYCOL REBOILER UNIT #1

AREA: WIND RIVER CLASS: L FILE NO.: PAV019

Drawings Must Comply with Encana Drafting Standards (ECA-A-1)

FILE

Date Time

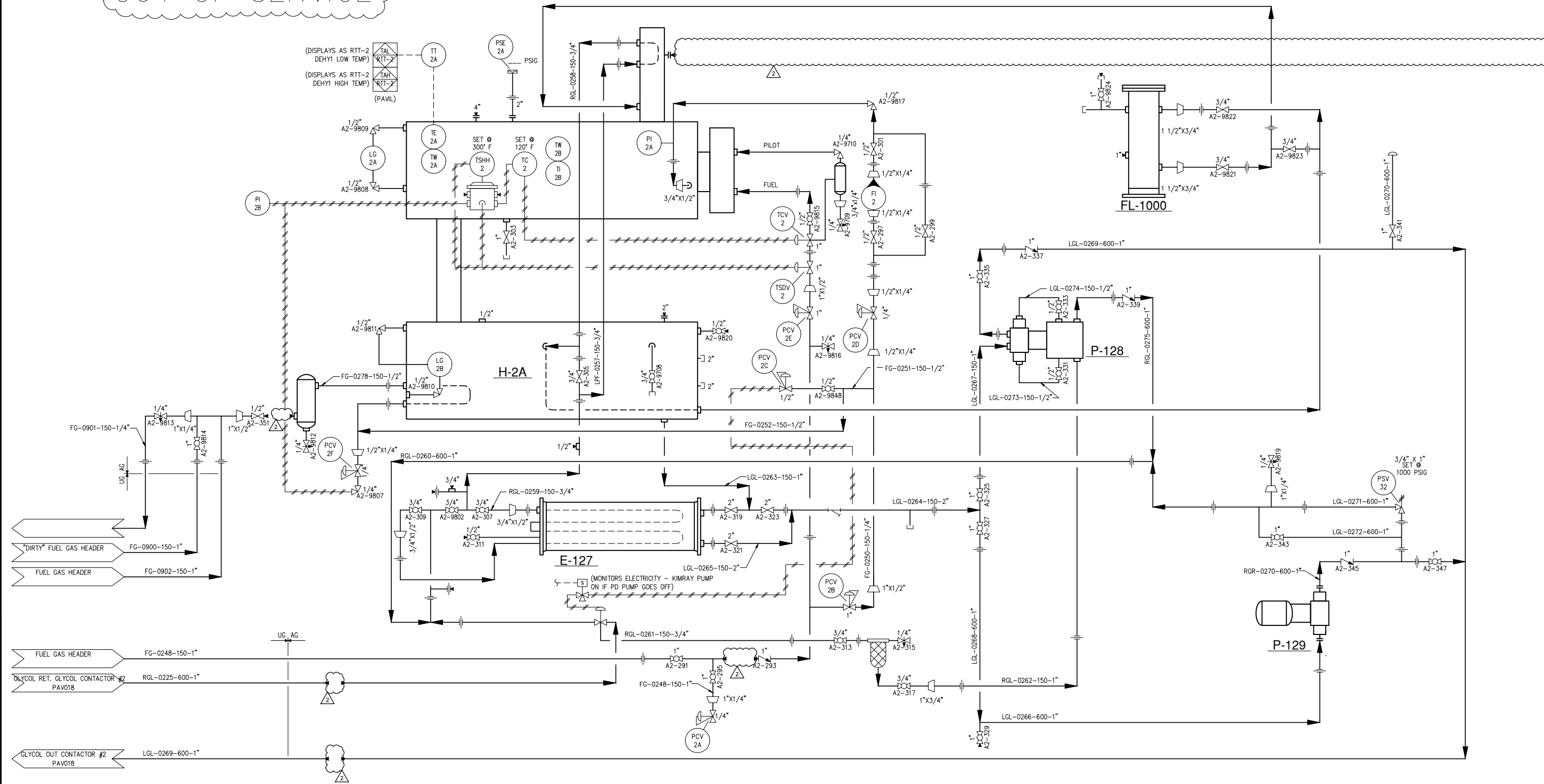
OUT OF SERVICE

E-127 HEAT EXCHANGER  
H-2A GLYCOL REBOILER #2  
MAWP: 15 PSIG

P-128 GLYCOL PUMP  
KIMRAY  
MAWP: 1200 PSIG

FL-1000 FILTER  
PERRY EQUIPMENT COMPANY  
MAWP: 275 PSIG  
SERIES SS FULL FLOW FILTER  
MODELING SS-4-366  
S/N 25796  
4 #336-C-5 ELEMENTS

P-129 GLYCOL PUMP



T-A010A.DWG (ENCANA: D Size Title Block) v.4

REFERENCE DRAWINGS	DWG. NO.
.	.
.	.
.	.
.	.
.	.

**CAUTION : READ BEFORE EXCAVATION**  
ALL EXCAVATIONS MUST BE CARRIED OUT AS PER "ENCANA'S GROUND DISTURBANCE PRACTICE"

NO.	DATE	PROJECT DESCRIPTION	PROJ.	AFE	EPCM Co.	EPCM No.	APPD.
A	2006-09-29	CAD REDRAFT	.	.	PEARL	10-0460	GAF
B	2007-01-15	INCORPORATE CLIENT COMMENTS	.	.	PEARL	10-0460	.
1	2013-11-18	ADDED PSE-2A TO REBOILER H-2A	.	.	.	.	RJB
2	2014-07-22	REVISED PER CLIENT COMMENTS	.	.	.	.	.
.	.	.	.	.	.	.	.
.	.	.	.	.	.	.	.
.	.	.	.	.	.	.	.
.	.	.	.	.	.	.	.

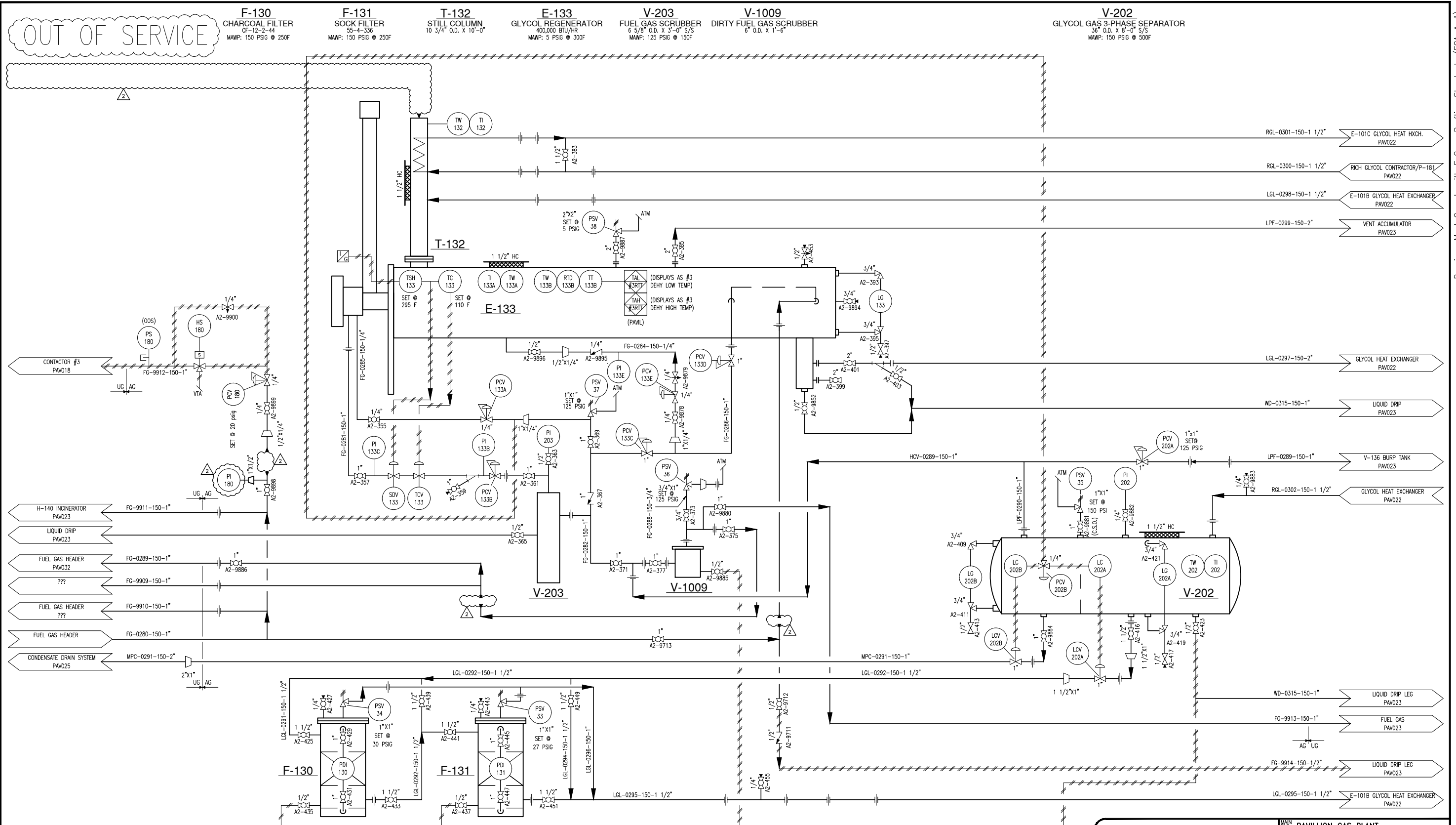
ISSUE STAGE	DATE	BY	CHKD.	APPD.	PERMIT STAMP	ENGINEER'S STAMP
Prelim. (A)	2006-12-11	ZMR	RWG	GAF		
Bid (B)	.	RME	.	.		
Constr. (C)	.	.	.	.		
As-built (D)	.	.	.	.		
.	.	.	.	.		
.	.	.	.	.		
.	.	.	.	.		
.	.	.	.	.		

PERMIT STAMP AND PROFESSIONAL STAMP  
AFFIXED ABOVE SHALL APPLY ONLY TO REV(S)

MAIN FAC: PAVILLION GAS PLANT	
MAIN LSN: 5-3N-3E	
TYPE: COMPRESSOR STATION	
SCALE: 5-3N-3E	
SCALE: 1:1 (A1 SIZE)	EPCM No. 10-0460
EPCM Co. PEARL DEVELOPMENT COMPANY	
TITLE: PIPING AND INSTRUMENTATION DIAGRAM GLYCOL REBOILER UNIT #2	
AREA: WIND RIVER	CLASS: FILE NO. PAV020

Drawings Must Comply with Encana Drafting Standards (ECA-A-1)

Date Time



T-A010ADW6 (ENCANA: D Size Title Block) v.4

**CAUTION : READ BEFORE EXCAVATION**  
 ALL EXCAVATIONS MUST BE CARRIED OUT AS PER "ENCANA'S GROUND DISTURBANCE PRACTICE"

NO.	DATE	PROJECT DESCRIPTION	PROJ.	AFE	EPCM Co.	EPCM No.	APPD.
A	2006-09-29	CAD REDRAFT			PEARL	10-0460	GAF
B	2007-01-23	INCORPORATE CLIENT COMMENTS			PEARL	10-0460	
1	2013-11-18	PSV 36 & PSV 37 SET POINTS CORRECTED TO 125 PSIG					RJB
2	2014-07-22	REVISED PER CLIENT COMMENT					

REV. NUMBER	ISSUE STAGE	DATE	BY	CHKD.	APPD.	PERMIT STAMP	ENGINEER'S STAMP
I	Prelim. (A)	2007-01-02	TSG	RWG	GAF		
	Bid (B)						
	Constr. (C)						
	As-built (D)						

MAIN FAC: PAVILLION GAS PLANT	
EPC No: 5-3N-3E	
TYPE: COMPRESSOR STATION	
EPC No: 5-3N-3E	
SCALE: 1:1 (A1 SIZE)	EPC No: 10-0460
<b>PEARL DEVELOPMENT COMPANY</b>	
TITLE: PIPING AND INSTRUMENTATION DIAGRAM GLYCOL REBOILER UNIT #3	
AREA: WIND RIVER	CLASS   FILE NO.: L   PAV021

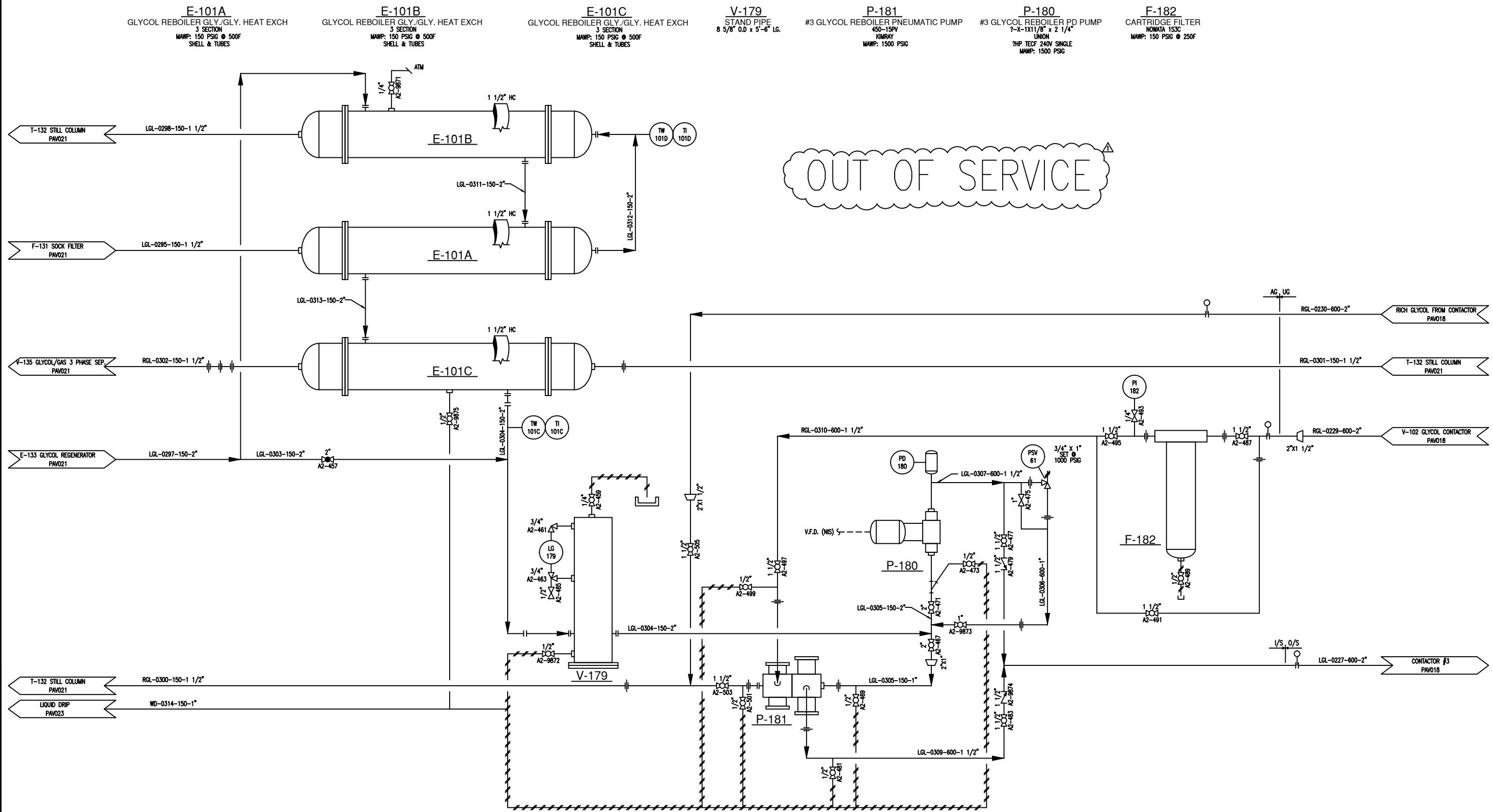
Drawings Must Comply with Encana Drafting Standards (ECA-A-1)

FILE

Date Time

T-A010A.DWG (ENCANA: D Size Title Block) v.4

Drawings Must Comply with Encana Drafting Standards (ECA-A-1)



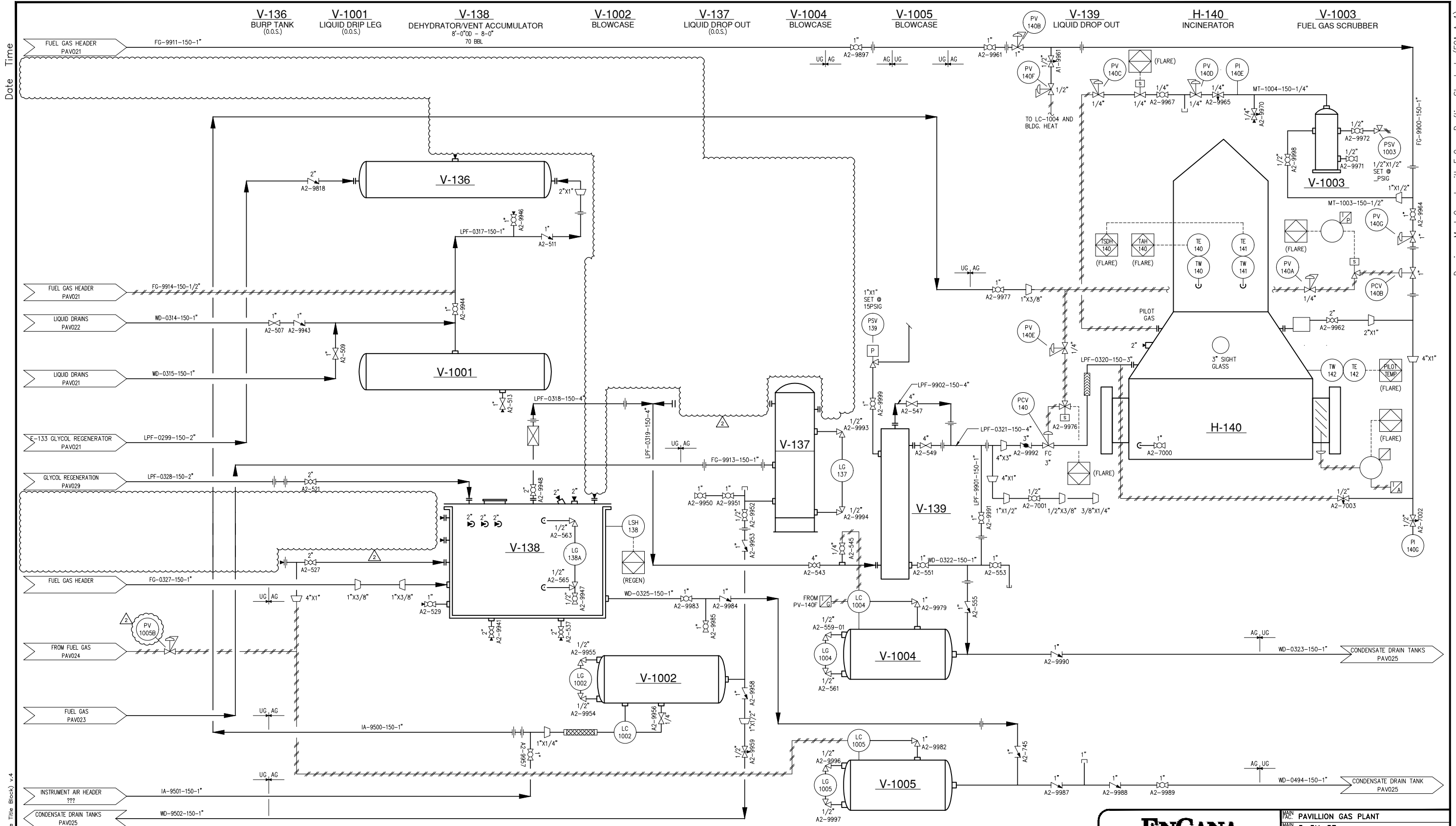
**CAUTION : READ BEFORE EXCAVATION**  
 ALL EXCAVATIONS MUST BE CARRIED OUT AS PER  
 "ENCANA'S GROUND DISTURBANCE PRACTICE"

NO.	DATE	PROJECT DESCRIPTION	PROJ.	AFE	EPCM Co.	EPCM No.	APPD.	ISSUE STAGE	DATE	BY	CHKD.	APPD.	PERMIT STAMP	ENGINEER'S STAMP
A	2006-12-07	CAD REDRAFT			PEARL	10-0460	GAF	Prelim. (A)	2007-01-02	ZMR	RWG	GAF		
B	2007-01-25	INCORPORATE CLIENT COMMENTS			PEARL	10-0460		Bid (B)		RME				
1	2014-06-06	REVISED PER CLIENT COMMENT						Constr. (C)						
								As-built (D)						

MAIN: PAVILLION GAS PLANT	
ESN: 5-3N-3E	
TYPE: COMPRESSOR STATION	
ESN: 5-3N-3E	
SCALE: 1:1 (A1 SIZE)	EPC No. 10-0460
EPCM: PEARL DEVELOPMENT COMPANY	
TITLE: PIPING AND INSTRUMENTATION DIAGRAM GLYCOL REGENERATION SKID #3	
AREA: WIND RIVER	CLASS / FILE NO.: L / PAV022

PERMIT STAMP AND PROFESSIONAL STAMP  
 AFFIXED ABOVE SHALL APPLY ONLY TO REV(s)

Date Time



T-A010AD.DWG (ENCANA - D Size Title Block) v.4

REFERENCE DRAWINGS  
 DWG. NO.  
 NO. DATE PROJECT DESCRIPTION PROJ. AFE EPCM Co. EPCM No. APPD.  
 A 2006-11-20 CAD REDRAFT  
 B 2007-01-26 INCORPORATE CLIENT COMMENTS  
 1 2013-11-15 UPDATED V-138 TO SHOW THIEF HATCH AND PLUGGED NOZZLES  
 2 2014-07-22 REVISED PER CLIENT COMMENTS  
 CAUTION : READ BEFORE EXCAVATION  
 ALL EXCAVATIONS MUST BE CARRIED OUT AS PER "ENCANA'S GROUND DISTURBANCE PRACTICE"

NO.	DATE	PROJECT DESCRIPTION	PROJ.	AFE	EPCM Co.	EPCM No.	APPD.
A	2006-11-20	CAD REDRAFT			PEARL	10-0460	GAF
B	2007-01-26	INCORPORATE CLIENT COMMENTS			PEARL	10-0460	
1	2013-11-15	UPDATED V-138 TO SHOW THIEF HATCH AND PLUGGED NOZZLES					RJB
2	2014-07-22	REVISED PER CLIENT COMMENTS					

REV. NUMBER	ISSUE STAGE	DATE	BY	CHKD.	APPD.	PERMIT STAMP	ENGINEER'S STAMP
I	Prelim. (A)	2007-01-02	ZMR	RWG	GAF		
	Bid (B)						
	Constr. (C)						
	As-built (D)						

MAIN FAC: PAVILLION GAS PLANT	
EPC No. 5-3N-3E	
TYPE COMPRESSOR STATION	
EPC No. 5-3N-3E	
SCALE: 1:1 (A1 SIZE)	EPCM No. 10-0460
EPCOM PEARL DEVELOPMENT COMPANY	
TITLE PIPING AND INSTRUMENTATION DIAGRAM INCINERATOR UNIT	
AREA: WIND RIVER	CLASS: L FILE NO.: PAV023

Drawings Must Comply with Encana Drafting Standards (ECA-A-1)

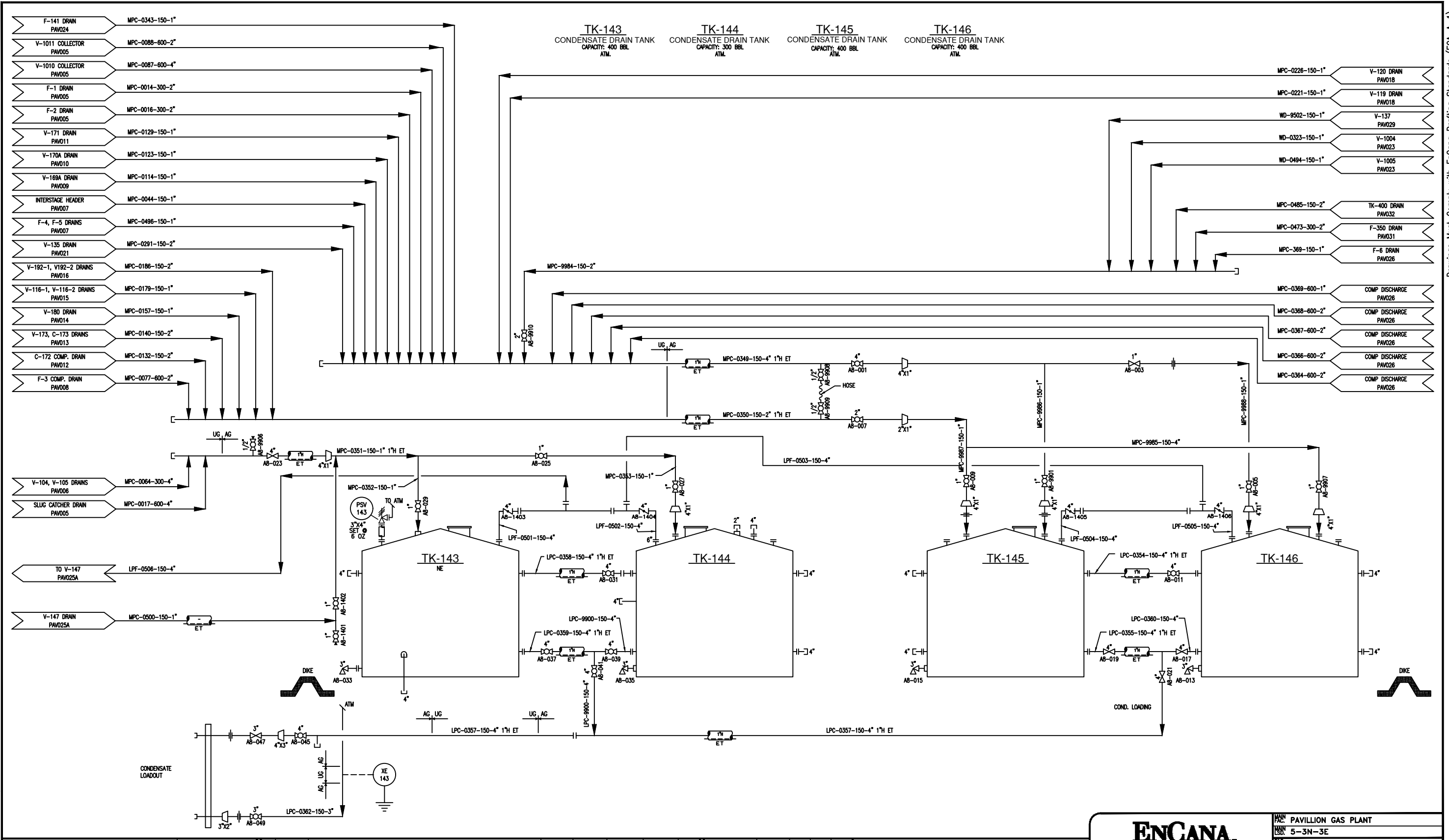
FILE





Date Time

Drawings Must Comply with Encana Drafting Standards (ECA-A-1)



T-A010A.DWG (ENCANA: D Size Title Block) v.4

REFERENCE DRAWINGS

DWG. NO.	NO.	DATE	PROJECT DESCRIPTION	PROJ.	AFE	EPCM Co.	EPCM No.	APPD.
.	A	2006-09-29	CAD REDRAFT	.	.	PEARL	10-0460	GAF
.	B	2007-01-26	INCORPORATE CLIENT COMMENTS	.	.	PEARL	10-0460	.
.	1	2012-05-29	AS_BUILT	.	.	ECA	.	.
.	2	2013-11-19	ADDED LINE & VALVE #'S PER MOC2011-0203	.	.	.	.	RJB

**CAUTION : READ BEFORE EXCAVATION**  
 ALL EXCAVATIONS MUST BE CARRIED OUT AS PER "ENCANA'S GROUND DISTURBANCE PRACTICE"

REV. NUMBER	ISSUE STAGE	DATE	BY	CHKD.	APPD.	PERMIT STAMP	ENGINEER'S STAMP
1	Prelim. (A)	2007-01-03	TSG	RWG	GAF		
2	Bld (B)	-	RME	-	-		
3	Constr. (C)	-	-	-	-		
4	As-built (D)	2012-05-29	SLO	TCM	-		

PERMIT STAMP	ENGINEER'S STAMP

PERMIT STAMP AND PROFESSIONAL STAMP  
 AFFIXED ABOVE SHALL APPLY ONLY TO REV(S)

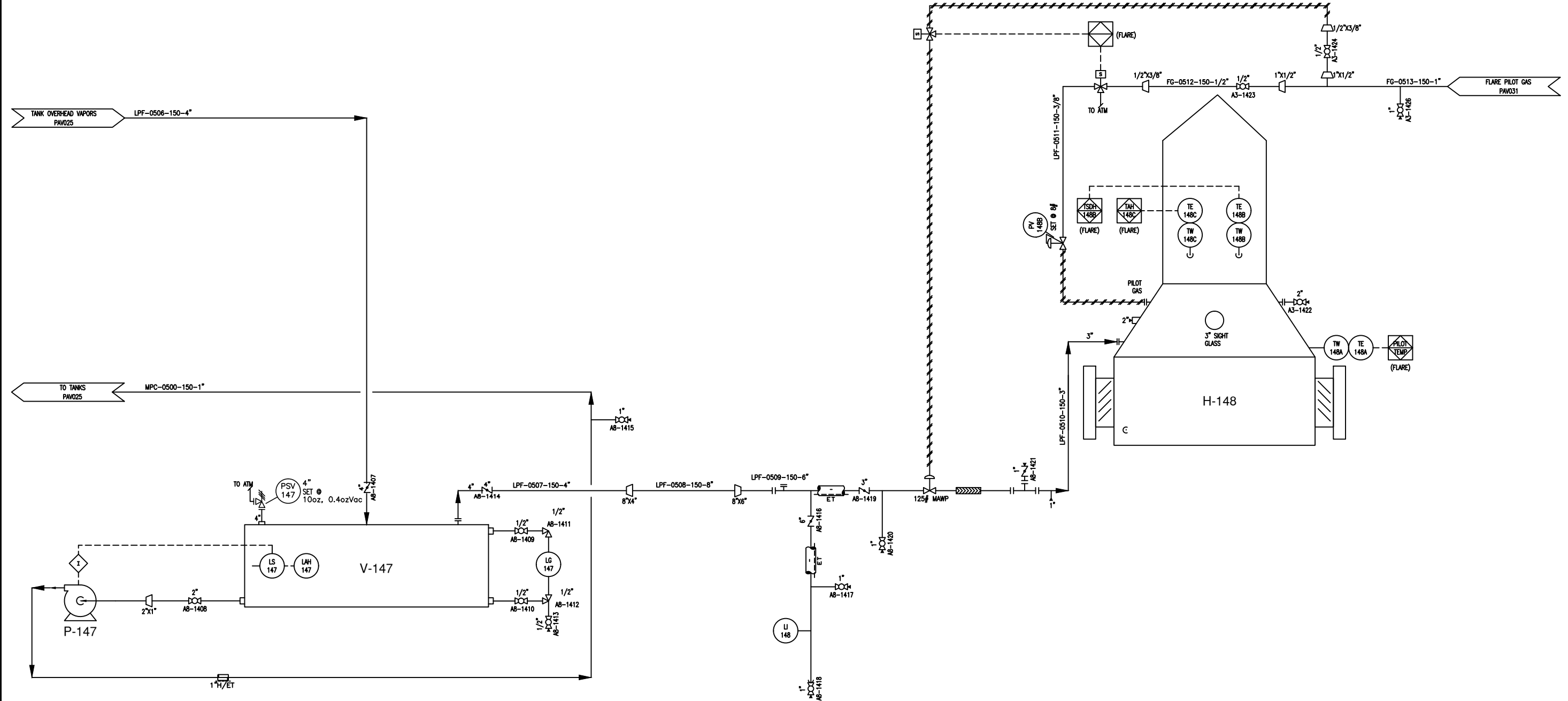
MAIN: PAVILLION GAS PLANT	
PLAN: 5-3N-3E	
TYPE: COMPRESSOR STATION	
SCALE: 5-3N-3E	
SCALE: 1:1 (A1 SIZE)	
EPCM No. 10-0460	
<b>PEARL DEVELOPMENT COMPANY</b>	
<b>TITLE: PIPING AND INSTRUMENTATION DIAGRAM CONDENSATE DRAIN SYSTEM</b>	
AREA: <b>WIND RIVER</b>	CLASS: L
FILE NO.:	<b>PAV025</b>

Date \_\_\_\_\_ Time \_\_\_\_\_

P-147  
KNOCK-OUT PUMP

V-147  
KNOCK-OUT  
500 GAL

H-148  
INCINERATOR  
30' X 29'-0"  
S/N: 10484-10  
2004  
J.W. WILLIAMS



T-A010A.DWG (ENCANA: D Size Title Block) v.4

**CAUTION : READ BEFORE EXCAVATION**  
ALL EXCAVATIONS MUST BE CARRIED OUT AS PER "ENCANA'S GROUND DISTURBANCE PRACTICE"

NO.	DATE	PROJECT DESCRIPTION	PROJ.	AFE	EPCM Co.	EPCM No.	APPD.
1	2012-05-29	AS-BUILT	-	-	ECA	-	-
2	2013-11-19	UPDATED INSTRUMENTATION & VALVE TAGGING PER MOC2011-0203	-	-	-	-	RJB

REV. NUMBER	ISSUE STAGE	DATE	BY	CHKD.	APPD.	PERMIT STAMP	ENGINEER'S STAMP
1	Prelim. (A)	-	-	-	-	-	-
	Bid (B)	-	-	-	-	-	-
	Constr. (C)	-	-	-	-	-	-
	As-built (D)	2012-05-29	SLO	TCM	-	-	-

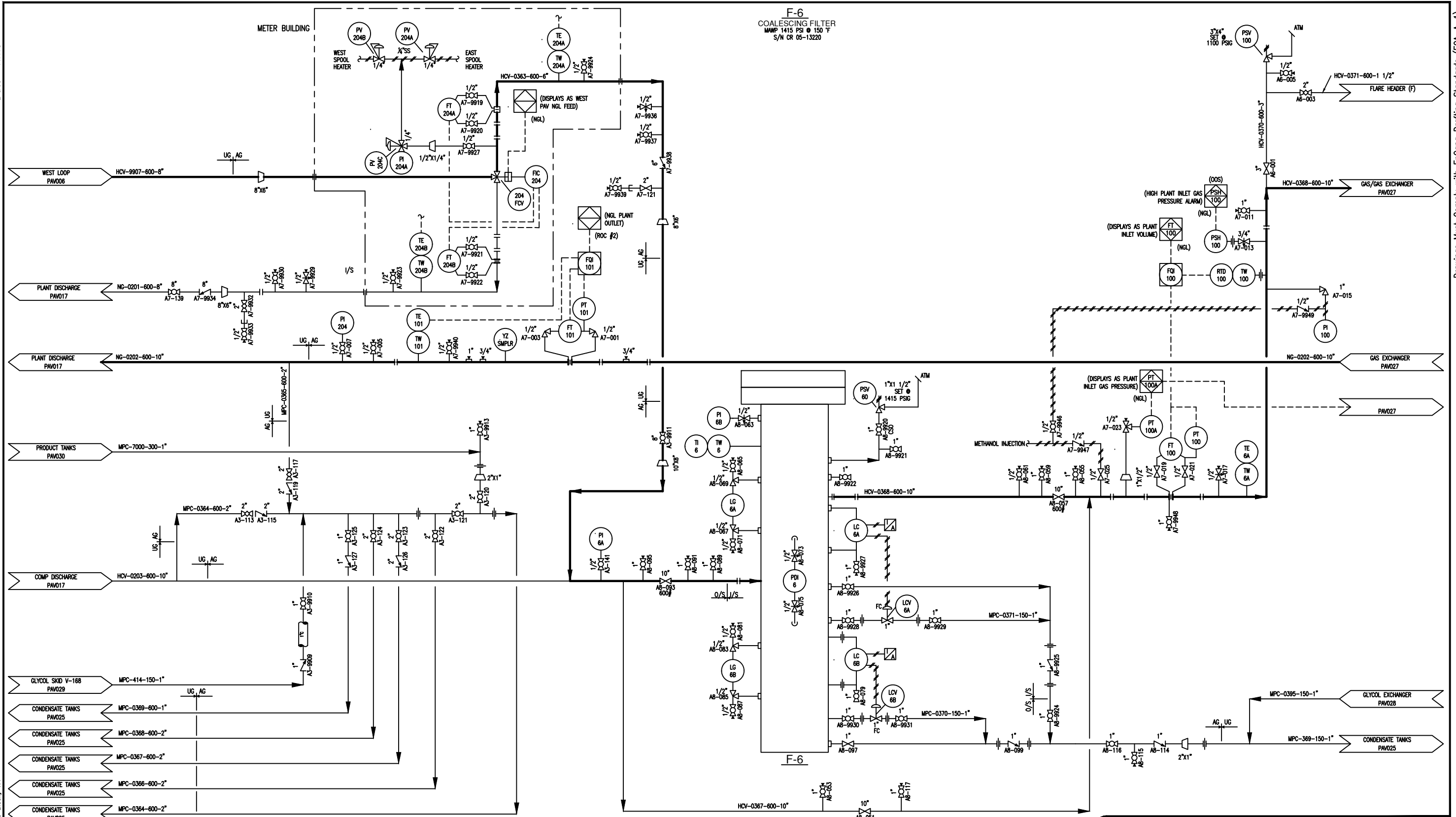
		MAIN: PAVILLION GAS PLANT EPC: 5-3N-3E TYPE: COMPRESSOR STATION EPC: 5-3N-3E SCALE: 1:1 (A1 SIZE)	
		EPC: ENCANA TITLE: PIPING AND INSTRUMENTATION DIAGRAM AREA: WIND RIVER CLASS: L FILE NO.: PAV025A	

Drawings Must Comply with Encana Drafting Standards (ECA-A-1)

FILE: \_\_\_\_\_

Date Time

T-A010A.DWG (ENCANA: D Size Title Block) v.4



F-6  
COALESCING FILTER  
MAMP 1415 PSI @ 150 °F  
S/N CR 05-13220

Drawings Must Comply with Encana Drafting Standards (ECA-A-1)

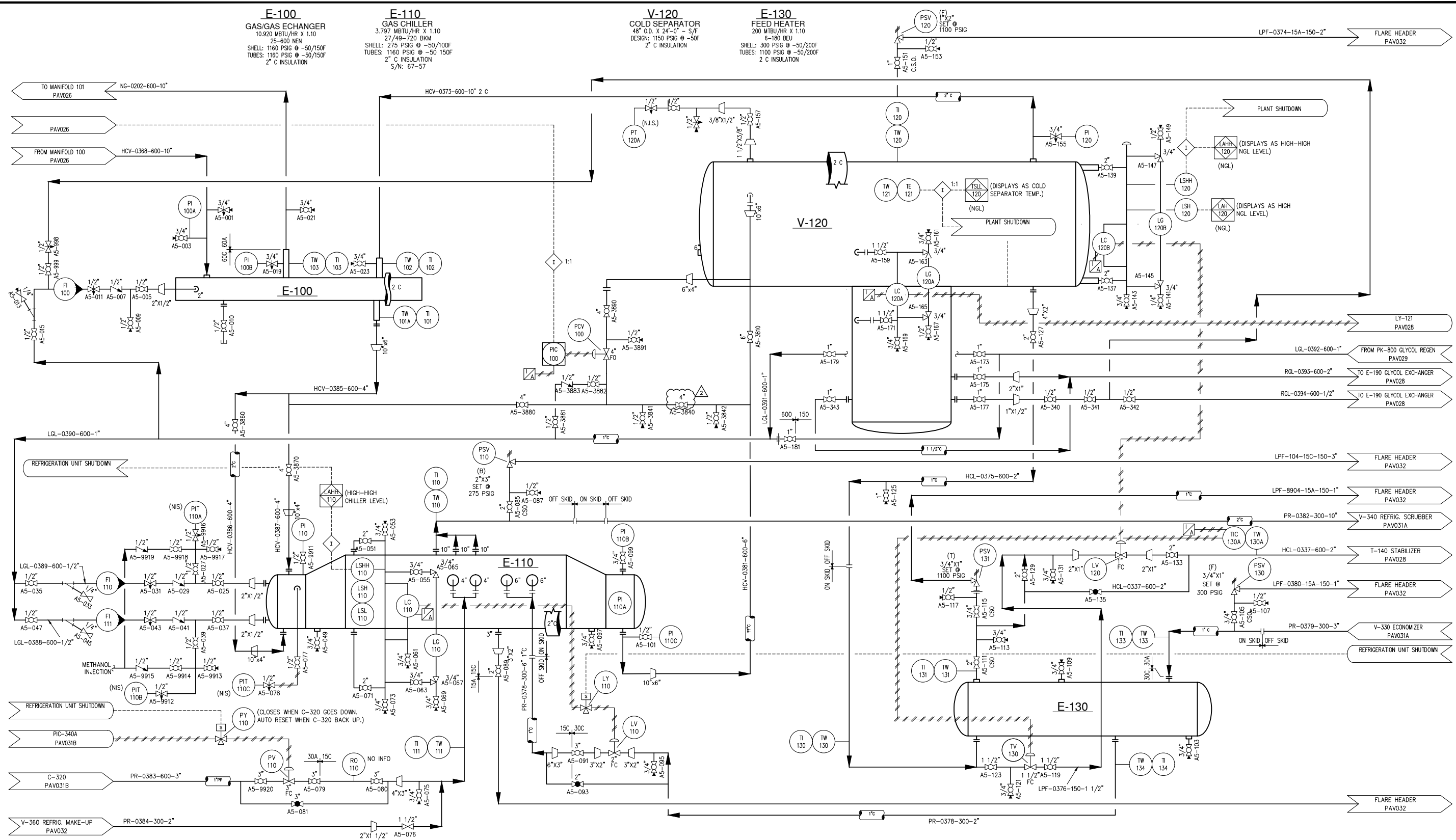
**CAUTION : READ BEFORE EXCAVATION**  
ALL EXCAVATIONS MUST BE CARRIED OUT AS PER "ENCANA'S GROUND DISTURBANCE PRACTICE"

NO.	DATE	PROJECT DESCRIPTION	PROJ.	AFE	EPCM Co.	EPCM No.	APPD.
A	2006-12-14	CAD REDRAFT			PEARL	10-0460	GAF
B	2007-01-26	INCORPORATE CLIENT COMMENTS			PEARL	10-0460	

REV. NUMBER	ISSUE STAGE	DATE	BY	CHKD.	APPD.	PERMIT STAMP	ENGINEER'S STAMP
1	Prelim. (A)	2007-01-02	TSG	RWG	GAF		
	Bid (B)		RME				
	Constr. (C)						
	As-built (D)						

MAIN: PAVILLION GAS PLANT	
EPC: 5-3N-3E	
TYPE: COMPRESSOR STATION	
EPC: 5-3N-3E	
SCALE: 1:1 (A1 SIZE)	EPCM No. 10-0460
<b>PEARL DEVELOPMENT COMPANY</b>	
<b>TITLE: PIPING AND INSTRUMENTATION DIAGRAM</b>	
<b>PLANT PIPING</b>	
AREA: <b>WIND RIVER</b>	CLASS FILE NO.: <b>PAV026</b>

PERMIT STAMP AND PROFESSIONAL STAMP  
AFFIXED ABOVE SHALL APPLY ONLY TO REV(S)



PLOTED: 7/29/2014 1:42:00 PM BY: JORGE ESTRELLA  
 LAST SAVED: 7/29/2014 1:41:40 PM BY: JESTRELLA

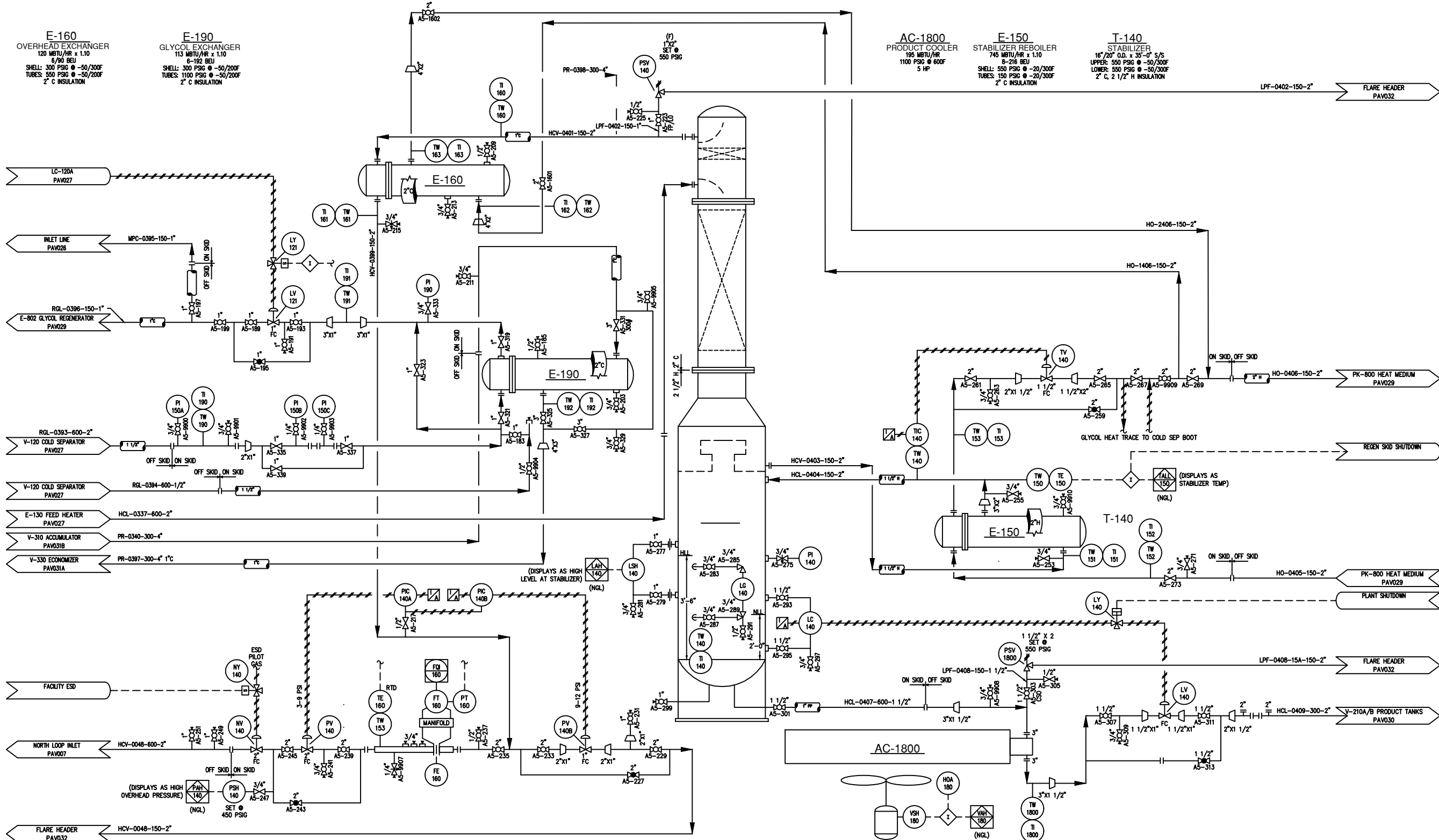
**CAUTION : READ BEFORE EXCAVATION**  
 ALL EXCAVATIONS MUST BE CARRIED OUT AS PER  
 "ENCANA'S GROUND DISTURBANCE PRACTICE"

NO.	DATE	PROJECT DESCRIPTION	PROJ.	AFE	EPCM Co.	EPCM No.	APPD.
A	2006-11-20	CAD REDRAFT			PEARL	10-0460	GAF
B	2007-01-25	INCORPORATE CLIENT COMMENTS			PEARL	10-0460	GAF
1	2012-10-15	JT PLANT CONVERSION PIPING CHANGES			ECA		TCM
2	2014-07-22	REVISED PER CLIENT COMMENTS					

REV. NUMBER	ISSUE STAGE	DATE	BY	CHKD.	APPD.	PERMIT STAMP	ENGINEER'S STAMP
1	Prelim. (A)	2007-01-02	ACW	RWG	GAF		
	Bld (B)		RME				
	Constr. (C)						
	As-built (D)						

<b>PEARL DEVELOPMENT COMPANY</b> TITLE: PIPING AND INSTRUMENTATION DIAGRAM SUCTION & DISCHARGE PIPING	
AREA: WIND RIVER	CLASS FILE NO.: L PAV027

PERMIT STAMP AND PROFESSIONAL STAMP  
 AFFIXED ABOVE SHALL APPLY ONLY TO REV(S)



**E-160**  
OVERHEAD EXCHANGER  
120 MBTU/HR x 1.10  
SHELL: 300 PSIG @ -50/300F  
TUBES: 550 PSIG @ -50/300F  
2" C INSULATION

**E-190**  
GLYCOL EXCHANGER  
113 MBTU/HR x 1.10  
SHELL: 300 PSIG @ -50/200F  
TUBES: 1100 PSIG @ -50/200F  
2" C INSULATION

**AC-1800**  
PRODUCT COOLER  
185 MBTU/HR  
1100 PSIG @ 600F  
5 HP

**E-150**  
STABILIZER REBOILER  
745 MBTU/HR x 1.10  
SHELL: 550 PSIG @ -20/300F  
TUBES: 150 PSIG @ -20/300F  
2" C INSULATION

**T-140**  
STABILIZER  
18" 20" O.D. x 35'-0" S/S  
UPPER: 550 PSIG @ -50/300F  
LOWER: 550 PSIG @ -50/300F  
2" C, 2 1/2" H INSULATION

LC-120A PAV027

INLET LINE PAV026 MPC-0395-150-1

E-802 GLYCOL REGENERATOR PAV029 RGL-0396-150-1

V-120 COLD SEPARATOR PAV027 RGL-0393-600-2

V-120 COLD SEPARATOR PAV027 RGL-0394-600-1/2

E-130 FEED HEATER PAV027 HCL-0337-600-2

V-310 ACCUMULATOR PAV031B PR-0340-300-4

V-330 ECONOMIZER PAV031A PR-0397-300-4 1" C

FACILITY ESD

NORTH LOOP INLET PAV007 HCV-0048-600-2

FLARE HEADER PAV032 HCV-0048-150-2

ESD PILOT GAS NY 140

MANIFOLD FT 160, PT 160, RTD TE 160

SHUT-OFF VALVE (SOV) AS-243, AS-244, AS-245, AS-246, AS-247, AS-248, AS-249, AS-250, AS-251, AS-252, AS-253, AS-254, AS-255, AS-256, AS-257, AS-258, AS-259, AS-260, AS-261, AS-262, AS-263, AS-264, AS-265, AS-266, AS-267, AS-268, AS-269, AS-270, AS-271, AS-272, AS-273, AS-274, AS-275, AS-276, AS-277, AS-278, AS-279, AS-280, AS-281, AS-282, AS-283, AS-284, AS-285, AS-286, AS-287, AS-288, AS-289, AS-290, AS-291, AS-292, AS-293, AS-294, AS-295, AS-296, AS-297, AS-298, AS-299, AS-300, AS-301, AS-302, AS-303, AS-304, AS-305, AS-306, AS-307, AS-308, AS-309, AS-310, AS-311, AS-312, AS-313, AS-314, AS-315, AS-316, AS-317, AS-318, AS-319, AS-320, AS-321, AS-322, AS-323, AS-324, AS-325, AS-326, AS-327, AS-328, AS-329, AS-330, AS-331, AS-332, AS-333, AS-334, AS-335, AS-336, AS-337, AS-338, AS-339, AS-340, AS-341, AS-342, AS-343, AS-344, AS-345, AS-346, AS-347, AS-348, AS-349, AS-350, AS-351, AS-352, AS-353, AS-354, AS-355, AS-356, AS-357, AS-358, AS-359, AS-360, AS-361, AS-362, AS-363, AS-364, AS-365, AS-366, AS-367, AS-368, AS-369, AS-370, AS-371, AS-372, AS-373, AS-374, AS-375, AS-376, AS-377, AS-378, AS-379, AS-380, AS-381, AS-382, AS-383, AS-384, AS-385, AS-386, AS-387, AS-388, AS-389, AS-390, AS-391, AS-392, AS-393, AS-394, AS-395, AS-396, AS-397, AS-398, AS-399, AS-400, AS-401, AS-402, AS-403, AS-404, AS-405, AS-406, AS-407, AS-408, AS-409, AS-410, AS-411, AS-412, AS-413, AS-414, AS-415, AS-416, AS-417, AS-418, AS-419, AS-420, AS-421, AS-422, AS-423, AS-424, AS-425, AS-426, AS-427, AS-428, AS-429, AS-430, AS-431, AS-432, AS-433, AS-434, AS-435, AS-436, AS-437, AS-438, AS-439, AS-440, AS-441, AS-442, AS-443, AS-444, AS-445, AS-446, AS-447, AS-448, AS-449, AS-450, AS-451, AS-452, AS-453, AS-454, AS-455, AS-456, AS-457, AS-458, AS-459, AS-460, AS-461, AS-462, AS-463, AS-464, AS-465, AS-466, AS-467, AS-468, AS-469, AS-470, AS-471, AS-472, AS-473, AS-474, AS-475, AS-476, AS-477, AS-478, AS-479, AS-480, AS-481, AS-482, AS-483, AS-484, AS-485, AS-486, AS-487, AS-488, AS-489, AS-490, AS-491, AS-492, AS-493, AS-494, AS-495, AS-496, AS-497, AS-498, AS-499, AS-500, AS-501, AS-502, AS-503, AS-504, AS-505, AS-506, AS-507, AS-508, AS-509, AS-510, AS-511, AS-512, AS-513, AS-514, AS-515, AS-516, AS-517, AS-518, AS-519, AS-520, AS-521, AS-522, AS-523, AS-524, AS-525, AS-526, AS-527, AS-528, AS-529, AS-530, AS-531, AS-532, AS-533, AS-534, AS-535, AS-536, AS-537, AS-538, AS-539, AS-540, AS-541, AS-542, AS-543, AS-544, AS-545, AS-546, AS-547, AS-548, AS-549, AS-550, AS-551, AS-552, AS-553, AS-554, AS-555, AS-556, AS-557, AS-558, AS-559, AS-560, AS-561, AS-562, AS-563, AS-564, AS-565, AS-566, AS-567, AS-568, AS-569, AS-570, AS-571, AS-572, AS-573, AS-574, AS-575, AS-576, AS-577, AS-578, AS-579, AS-580, AS-581, AS-582, AS-583, AS-584, AS-585, AS-586, AS-587, AS-588, AS-589, AS-590, AS-591, AS-592, AS-593, AS-594, AS-595, AS-596, AS-597, AS-598, AS-599, AS-600, AS-601, AS-602, AS-603, AS-604, AS-605, AS-606, AS-607, AS-608, AS-609, AS-610, AS-611, AS-612, AS-613, AS-614, AS-615, AS-616, AS-617, AS-618, AS-619, AS-620, AS-621, AS-622, AS-623, AS-624, AS-625, AS-626, AS-627, AS-628, AS-629, AS-630, AS-631, AS-632, AS-633, AS-634, AS-635, AS-636, AS-637, AS-638, AS-639, AS-640, AS-641, AS-642, AS-643, AS-644, AS-645, AS-646, AS-647, AS-648, AS-649, AS-650, AS-651, AS-652, AS-653, AS-654, AS-655, AS-656, AS-657, AS-658, AS-659, AS-660, AS-661, AS-662, AS-663, AS-664, AS-665, AS-666, AS-667, AS-668, AS-669, AS-670, AS-671, AS-672, AS-673, AS-674, AS-675, AS-676, AS-677, AS-678, AS-679, AS-680, AS-681, AS-682, AS-683, AS-684, AS-685, AS-686, AS-687, AS-688, AS-689, AS-690, AS-691, AS-692, AS-693, AS-694, AS-695, AS-696, AS-697, AS-698, AS-699, AS-700, AS-701, AS-702, AS-703, AS-704, AS-705, AS-706, AS-707, AS-708, AS-709, AS-710, AS-711, AS-712, AS-713, AS-714, AS-715, AS-716, AS-717, AS-718, AS-719, AS-720, AS-721, AS-722, AS-723, AS-724, AS-725, AS-726, AS-727, AS-728, AS-729, AS-730, AS-731, AS-732, AS-733, AS-734, AS-735, AS-736, AS-737, AS-738, AS-739, AS-740, AS-741, AS-742, AS-743, AS-744, AS-745, AS-746, AS-747, AS-748, AS-749, AS-750, AS-751, AS-752, AS-753, AS-754, AS-755, AS-756, AS-757, AS-758, AS-759, AS-760, AS-761, AS-762, AS-763, AS-764, AS-765, AS-766, AS-767, AS-768, AS-769, AS-770, AS-771, AS-772, AS-773, AS-774, AS-775, AS-776, AS-777, AS-778, AS-779, AS-780, AS-781, AS-782, AS-783, AS-784, AS-785, AS-786, AS-787, AS-788, AS-789, AS-790, AS-791, AS-792, AS-793, AS-794, AS-795, AS-796, AS-797, AS-798, AS-799, AS-800, AS-801, AS-802, AS-803, AS-804, AS-805, AS-806, AS-807, AS-808, AS-809, AS-810, AS-811, AS-812, AS-813, AS-814, AS-815, AS-816, AS-817, AS-818, AS-819, AS-820, AS-821, AS-822, AS-823, AS-824, AS-825, AS-826, AS-827, AS-828, AS-829, AS-830, AS-831, AS-832, AS-833, AS-834, AS-835, AS-836, AS-837, AS-838, AS-839, AS-840, AS-841, AS-842, AS-843, AS-844, AS-845, AS-846, AS-847, AS-848, AS-849, AS-850, AS-851, AS-852, AS-853, AS-854, AS-855, AS-856, AS-857, AS-858, AS-859, AS-860, AS-861, AS-862, AS-863, AS-864, AS-865, AS-866, AS-867, AS-868, AS-869, AS-870, AS-871, AS-872, AS-873, AS-874, AS-875, AS-876, AS-877, AS-878, AS-879, AS-880, AS-881, AS-882, AS-883, AS-884, AS-885, AS-886, AS-887, AS-888, AS-889, AS-890, AS-891, AS-892, AS-893, AS-894, AS-895, AS-896, AS-897, AS-898, AS-899, AS-900, AS-901, AS-902, AS-903, AS-904, AS-905, AS-906, AS-907, AS-908, AS-909, AS-910, AS-911, AS-912, AS-913, AS-914, AS-915, AS-916, AS-917, AS-918, AS-919, AS-920, AS-921, AS-922, AS-923, AS-924, AS-925, AS-926, AS-927, AS-928, AS-929, AS-930, AS-931, AS-932, AS-933, AS-934, AS-935, AS-936, AS-937, AS-938, AS-939, AS-940, AS-941, AS-942, AS-943, AS-944, AS-945, AS-946, AS-947, AS-948, AS-949, AS-950, AS-951, AS-952, AS-953, AS-954, AS-955, AS-956, AS-957, AS-958, AS-959, AS-960, AS-961, AS-962, AS-963, AS-964, AS-965, AS-966, AS-967, AS-968, AS-969, AS-970, AS-971, AS-972, AS-973, AS-974, AS-975, AS-976, AS-977, AS-978, AS-979, AS-980, AS-981, AS-982, AS-983, AS-984, AS-985, AS-986, AS-987, AS-988, AS-989, AS-990, AS-991, AS-992, AS-993, AS-994, AS-995, AS-996, AS-997, AS-998, AS-999, AS-1000

PLotted: 6/10/2014 3:11:59 PM BY: RUBIN, PORTILLO  
LAST SAVED: 6/4/2014 10:59:08 AM BY: JFOSTER

**CAUTION : READ BEFORE EXCAVATION**  
ALL EXCAVATIONS MUST BE CARRIED OUT AS PER "ENCANA'S GROUND DISTURBANCE PRACTICE"

REFERENCE DRAWINGS	DWG. NO.	NO.	DATE	PROJECT DESCRIPTION	PROJ.	AFE	EPCM Co.	EPCM No.	APPD.	ISSUE STAGE	DATE	BY	CHKD.	APPD.	PERMIT STAMP	ENGINEER'S STAMP
		A	2006-11-21	CAD REDRAFT			PEARL	10-0460	GAF	Prelim. (A)	2007-01-03	ZMR	RWG	GAF		
		B	2007-01-26	INCORPORATE CLIENT COMMENTS			PEARL	10-0460	GAF							
		1	2012-10-15	JT PROJECT PIPING CHANGES			ECA		TCM	Constr. (C)						
										As-built (D)						

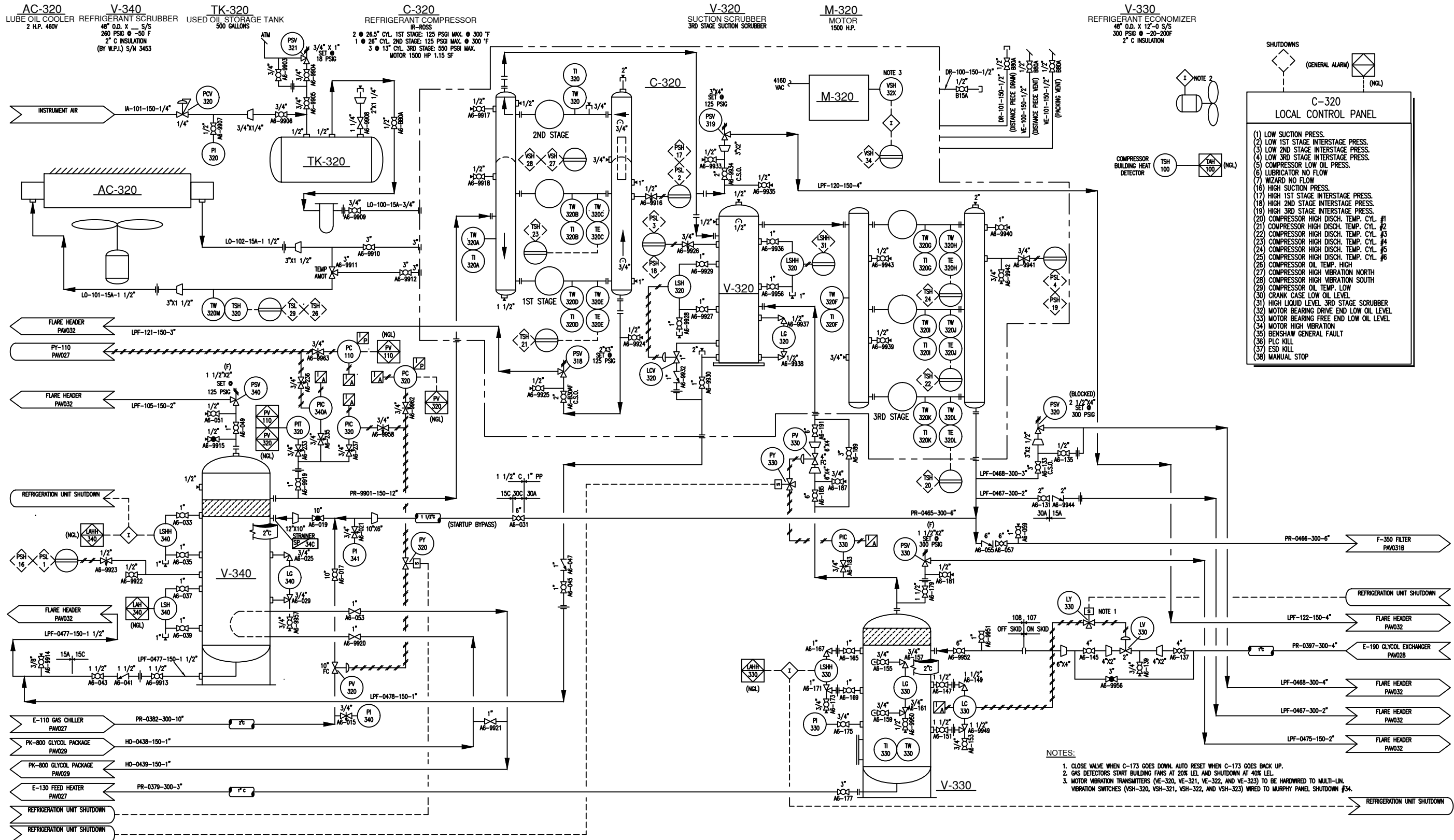
Pavillion Gas Plant	
5-3N-3E	
Compressor Station	
5-3N-3E	
Scale: 1:1 (A1 SIZE)	EPC No. 10-0460
PEARL DEVELOPMENT COMPANY	
PIPING AND INSTRUMENTATION DIAGRAM	
STABILIZER	
Area: WIND RIVER	Class File No. PAV028

PERMIT STAMP AND PROFESSIONAL STAMP  
AFFIXED ABOVE SHALL APPLY ONLY TO REV(S)





Date \_\_\_\_\_  
Time \_\_\_\_\_



- C-320 LOCAL CONTROL PANEL**
- (1) LOW SUCTION PRESS.
  - (2) LOW 1ST STAGE INTERSTAGE PRESS.
  - (3) LOW 2ND STAGE INTERSTAGE PRESS.
  - (4) LOW 3RD STAGE INTERSTAGE PRESS.
  - (5) COMPRESSOR LOW OIL PRESS.
  - (6) LUBRICATOR NO FLOW
  - (7) WIZARD NO FLOW
  - (8) HIGH SUCTION PRESS.
  - (9) HIGH 1ST STAGE INTERSTAGE PRESS.
  - (10) HIGH 2ND STAGE INTERSTAGE PRESS.
  - (11) HIGH 3RD STAGE INTERSTAGE PRESS.
  - (12) COMPRESSOR HIGH DISCH. TEMP. CYL. #1
  - (13) COMPRESSOR HIGH DISCH. TEMP. CYL. #2
  - (14) COMPRESSOR HIGH DISCH. TEMP. CYL. #3
  - (15) COMPRESSOR HIGH DISCH. TEMP. CYL. #4
  - (16) COMPRESSOR HIGH DISCH. TEMP. CYL. #5
  - (17) COMPRESSOR HIGH DISCH. TEMP. CYL. #6
  - (18) COMPRESSOR OIL TEMP. HIGH
  - (19) COMPRESSOR HIGH VIBRATION NORTH
  - (20) COMPRESSOR HIGH VIBRATION SOUTH
  - (21) COMPRESSOR OIL TEMP. LOW
  - (22) CRANK CASE LOW OIL LEVEL
  - (23) HIGH LIQUID LEVEL 3RD STAGE SCRUBBER
  - (24) MOTOR BEARING DRIVE END LOW OIL LEVEL
  - (25) MOTOR BEARING FREE END LOW OIL LEVEL
  - (26) MOTOR HIGH VIBRATION
  - (27) BENSRAW GENERAL FAULT
  - (28) PLC KILL
  - (29) ESD KILL
  - (30) MANUAL STOP

- NOTES:**
1. CLOSE VALVE WHEN C-173 GOES DOWN. AUTO RESET WHEN C-173 GOES BACK UP.
  2. GAS DETECTORS START BUILDING FANS AT 20% LEL AND SHUTDOWN AT 40% LEL.
  3. MOTOR VIBRATION TRANSMITTERS (VE-320, VE-321, VE-322, AND VE-323) TO BE HARDWIRED TO MULTI-UN. VIBRATION SWITCHES (VSH-320, VSH-321, VSH-322, AND VSH-323) WIRED TO MURPHY PANEL SHUTDOWN #34.

T-A010A.DWG (ENCANA: D Size Title Block) v.4

REFERENCE DRAWINGS	DWG. NO.	NO.	DATE	PROJECT DESCRIPTION	PROJ.	AFE	EPCM Co.	EPCM No.	APPD.	ISSUE STAGE	DATE	BY	CHKD.	APPD.	PERMIT STAMP	ENGINEER'S STAMP
		A	2006-12-11	CAD REDRAFT			PEARL	10-0460	GAF	Prelim. (A)	2007-01-02	ZMR	RWG	GAF		
		B	2007-01-29	INCORPORATE CLIENT COMMENTS			PEARL	10-0460		Bld (B)						
		C	2014-06-04	INCORPORATED CLIENT COMMENTS PER MOC # 2014-0027						Constr. (C)						
										As-built (D)						

**CAUTION : READ BEFORE EXCAVATION**  
ALL EXCAVATIONS MUST BE CARRIED OUT AS PER "ENCANA'S GROUND DISTURBANCE PRACTICE"

**PEARL DEVELOPMENT COMPANY**

**PIPING AND INSTRUMENTATION DIAGRAM**  
**SUCTION & DISCHARGE PIPING**

AREA: **WIND RIVER** CLASS: **L** FILE NO.: **PAV031A**

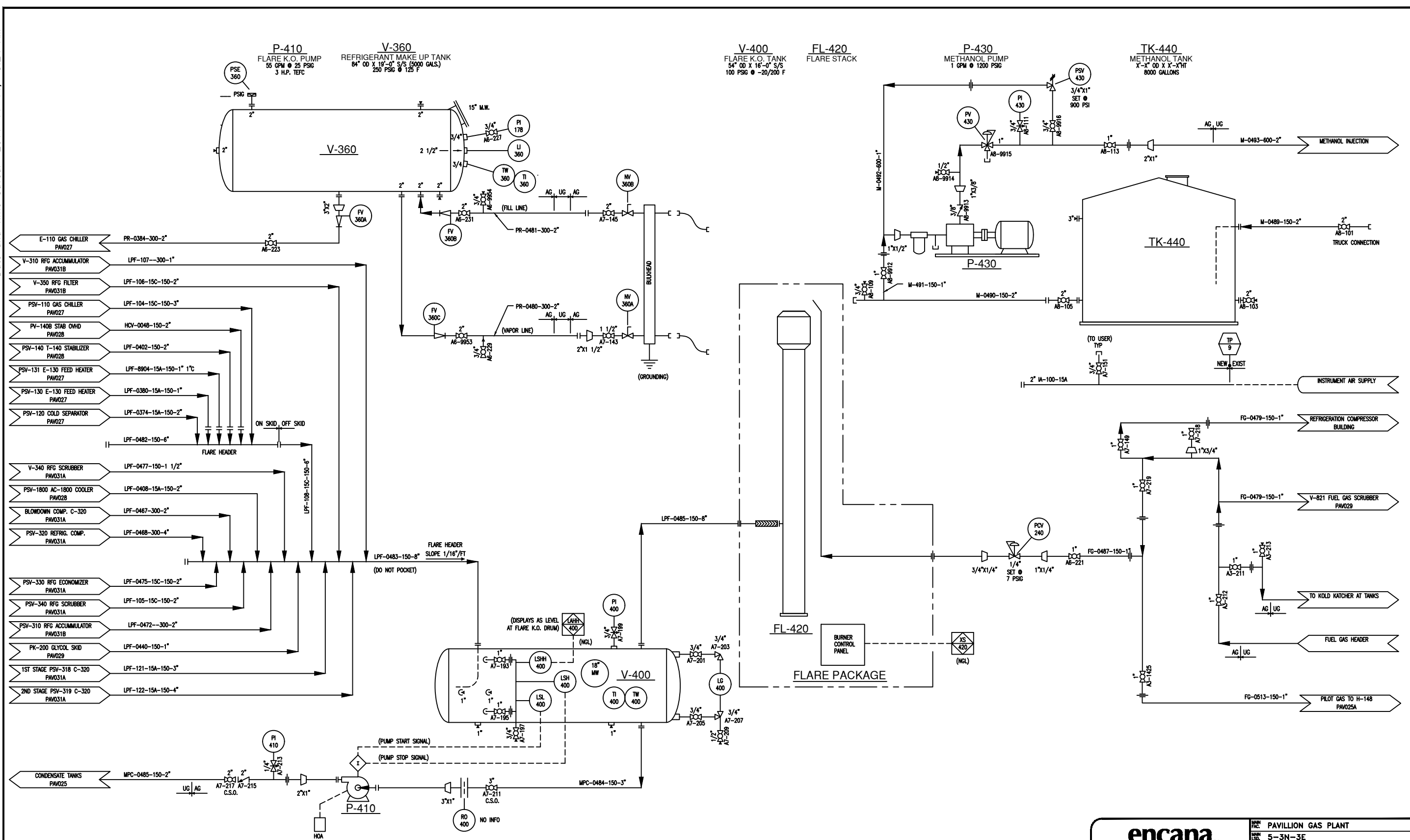
PROJECT: PAVILLION GAS PLANT	DATE: 5-3N-3E
TYPE: COMPRESSOR STATION	SCALE: 1:1 (A1 SIZE)
NO.: 5-3N-3E	EPC No.: 10-0460

Drawings Must Comply with Encana Drafting Standards (ECA-A-1)





Date and Time Saved: 2011-11-14, 8:24 AM



**CAUTION : READ BEFORE EXCAVATION**  
 ALL EXCAVATIONS MUST BE CARRIED OUT AS PER  
 "ENCANA'S GROUND DISTURBANCE PRACTICE"

NO.	DATE	PROJECT DESCRIPTION	PROJ.	AFE	EPCM Co.	EPCM No.	APPD.
A	2006-12-12	CAD REDRAFT	-	-	PEARL	10-0460	DAF
B	2007-1-26	INCORPORATE CLIENT COMMENTS	-	-	PEARL	10-0460	-
1	2011-11-22	PSV-430 PSIG Correction per walkdown	-	-	-	-	-
2	2012-05-09	CORRECTIONS & ADDED EQUIPMENT FOR TOU PER AC-MOC-20120905-001	-	-	-	-	-
3	2013-11-19	ADDED "TO KOLD KATCHER" & UPDATED LINE FG-0513-150-1"	-	-	-	-	RJB

REV. NUMBER	ISSUE STAGE	DATE	BY	CHKD.	APPD.
Prelim. (A)	2007-1-2	TSG	RWG	GAF	-
Bid (B)	-	TSG	-	-	-
Constr. (C)	-	-	-	-	-
As-built (D)	2012-05-09	VJL	TCM	BAKA	-

**encana**  
natural gas

EPCO No. PAVILLION GAS PLANT	
FLARE No. 5-3N-3E	
FLARE TITLE COMPRESSOR STATION	
FLARE No. 5-3N-3E	
SCALE 1:1 (A1 SIZE)	EPCO No. 10-0460
<b>PEARL DEVELOPMENT COMPANY</b>	
<b>PIPING AND INSTRUMENTATION DIAGRAM</b>	
<b>FLARE SYSTEM</b>	
AREA <b>WIND RIVER</b>	CLASS FILE NO. <b>PAV032</b>

PERMIT STAMP AND PROFESSIONAL STAMP  
 AFFIXED ABOVE SHALL APPLY ONLY TO REV(S)

PLOTTED: 6/10/2014, 3:15:03 PM, BT, RUBIN, PORTILLO  
 LAST SAVED: 5/30/2014, 4:55:52 PM, BT, SMULLEN

Drawings Must Comply with Encana Drafting Standards (ECA-DDM-S-01)  
 FILE: C:\ENCANA\14080-01 ENCANA PAVILLION PLANT REDLINE PICK UP\3.0 DESIGN\PID DWG\REVISED PID\PAV032.DWG



