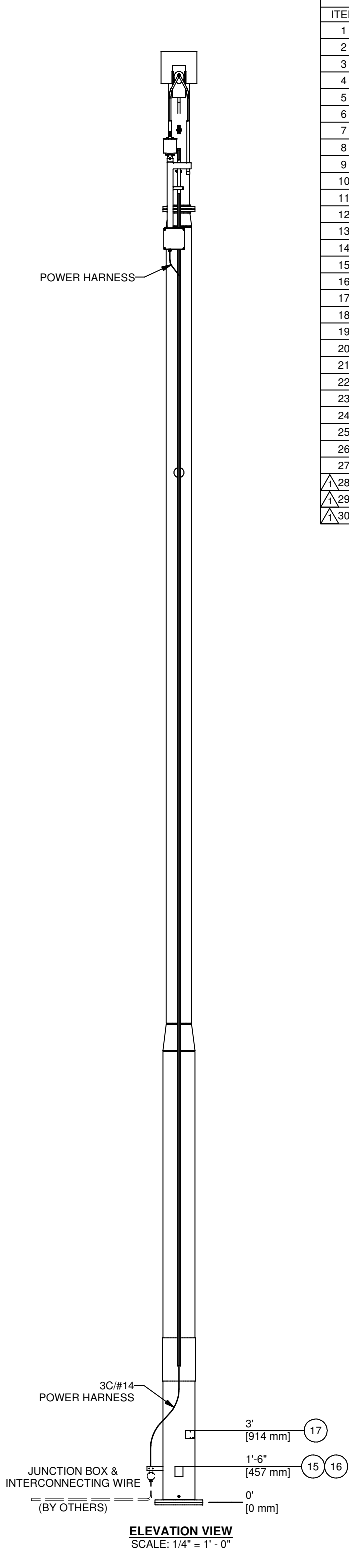
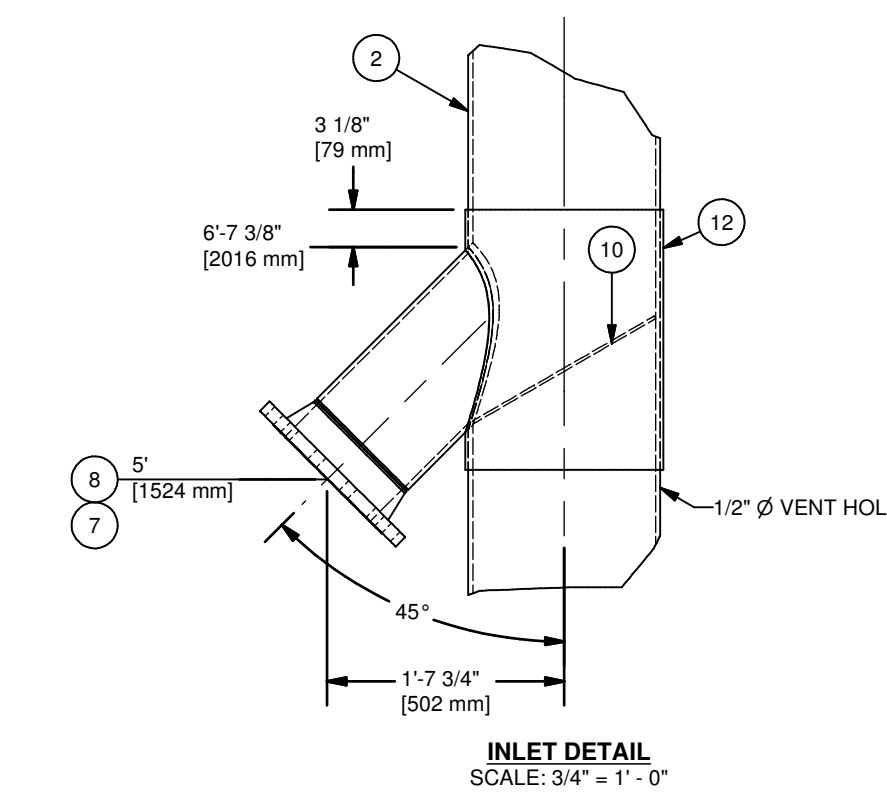
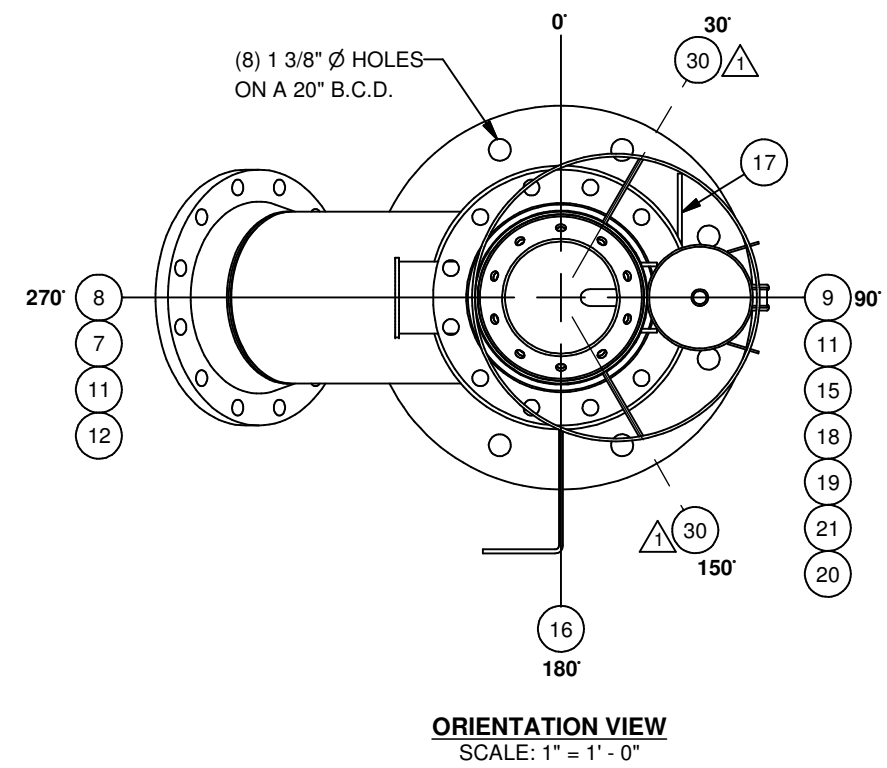
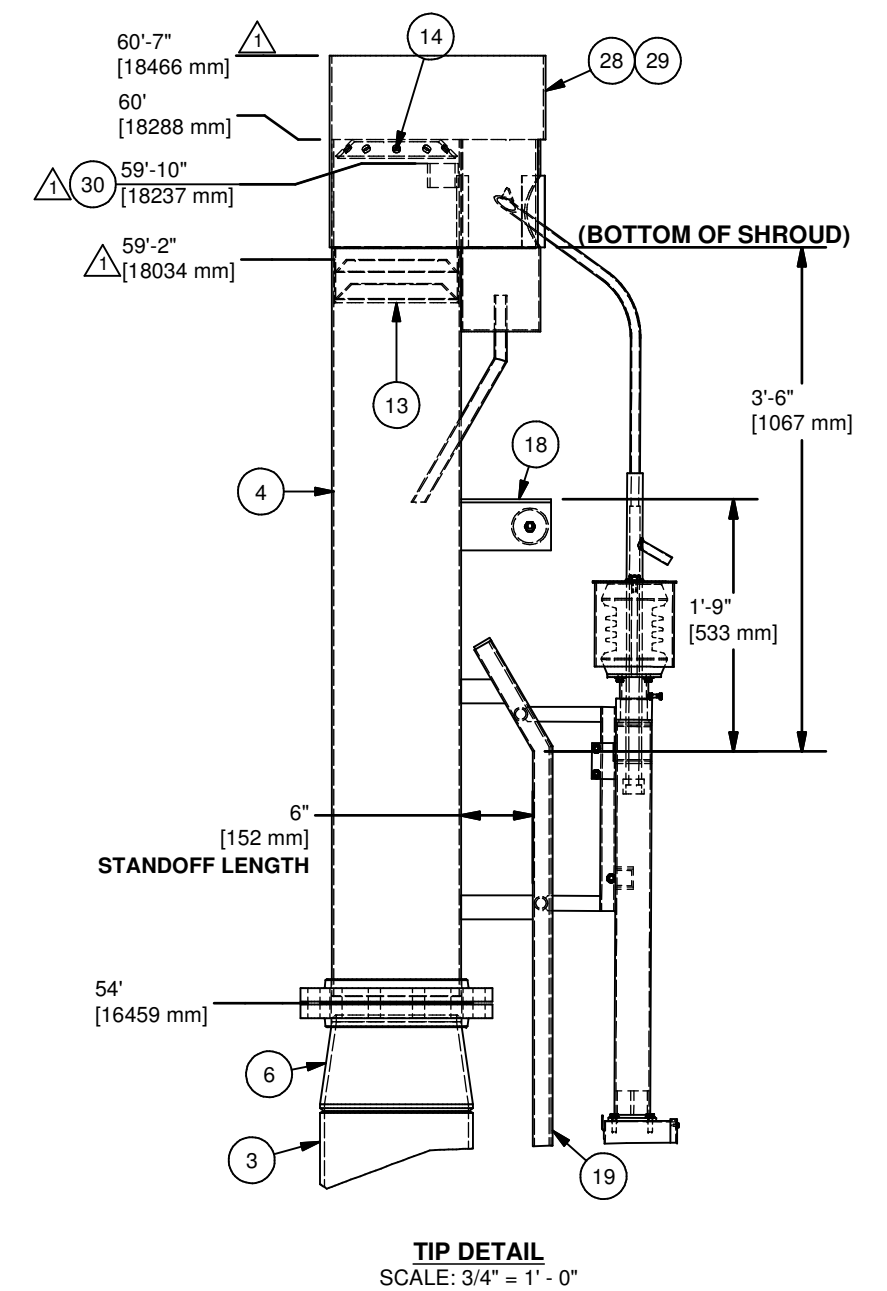
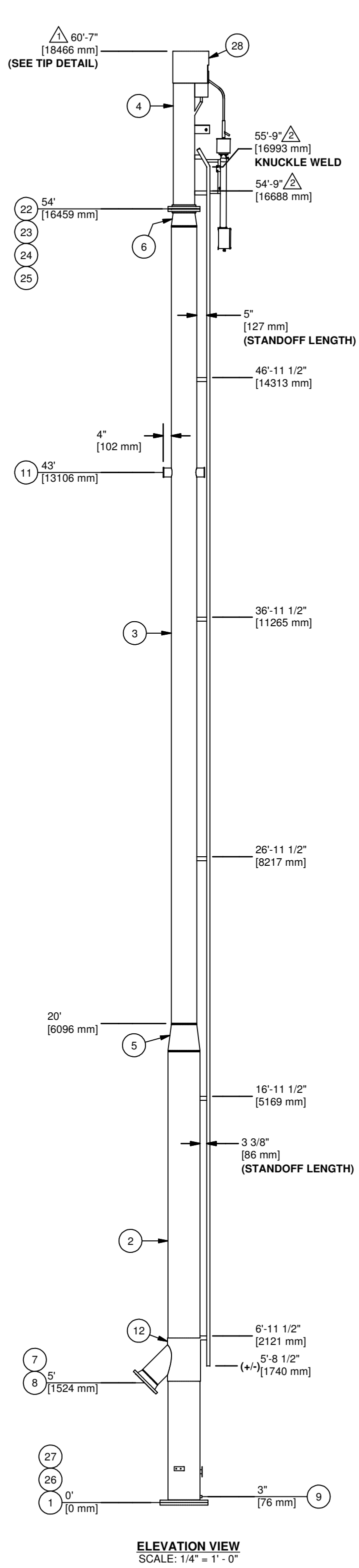


THIS DRAWING IS THE EXCLUSIVE PROPERTY OF MACTRONIC ENERGY AND MAY NOT BE REPRODUCED WITHOUT PERMISSION



Parts List				
ITEM	DESCRIPTION	QTY	SIZE	MAT
1	BASE/MATING PLATE	2	1 1/4" THK x 24" O.D.	SA-36/44W
2	LOWER STACK	1	16" SCH STD	SA-106-B/SA-53-B
3	UPPER STACK	1	12" SCH STD	SA-106-B/SA-53-B
4	FLARE TIP	1	10" SCH 10S	SA-312-316L
5	CONCENTRIC REDUCER	1	16" x 12" SCH STD	SA-234-WPB
6	CONCENTRIC REDUCER	1	12" x 10" SCH STD	SA-234-WPB
7	INLET	1	10" SCH STD	SA-106-B/SA-53-B
8	FLANGE RFWN	1	10"-150# SCH STD	SA-105-N
9	DRAIN	1	1/2" COUPLING	SA-105-N
10	BAFFLE PLATE	1	1/4" THK (C.T.S. @ 30 DEG.)	SA-36/44W
11	CHOKE TRUNNIONS	2	4" SCH STD / 1/4" THK x 5" O.D. PLATE	SA-106-B / SA-36/44W
12	REPAD (FULL) c/w (2) 1/4" DIA. WEEP HOLES	1	1/4" THK ROLLED PLATE	SA-36/44W
13	PURGE SEAL	1	10"	SA-240-316L
14	FLAME RETENTION RING	1	10"	SA-240-316L
15	NAME PLATE c/w MOUNTING BRACKET	1	3/16" THK	SA-36/44W
16	INSTRUMENTATION CLIP	1	1/4" THK x 2"	SA-36/44W
17	WINCH PLATE	1	TYPE 'A'	SA-36/44W
18	PULLEY	1	STANDARD	SA-36/44W
19	TRACK (SINGLE)	1	'MAC' TRACK	GALV. / SA-36/44W
20	SLIPSTREAM c/w PU PIPE	1	6" SCH 10 x 16" LG	SA-312-316L
21	IGNITOR	1	MODEL: ELAS-IGNI-A-301-G60	
22	GASKET SPIRAL WOUND (FLEXITALLIC)	1	10"-150#	316 SS
23	FLANGE RFSO	2	10"-150#	SA-105-N
24	STUDS	12	7/8" DIA. x 4 3/4" LG	SA-193-B7M
25	NUTS	24	7/8" DIA.	SA-194-2HM
26	STUDS	8	1 1/4" DIA. x 6" LG	SA-193-B7
27	NUTS	16	1 1/4" DIA.	SA-194-2H
28	WINDSHROUD	1	18" SCH 10S x 16" LG	SA-312-316L
29	SHROUD BOTTOM PLATE	1	1/8" THK PLATE	SA-240-316L
30	WINDSHROUD GUSSET	2	1/4" THK x 2" FLAT X 4 9/16" LG	SA-240-316L

- GENERAL NOTES:**
- SURFACE PREPARATION: SSPC-SP6
 - COATINGS: PRIME WITH CLOVERDALE RUSTEX PRIMER 71024 AT A MIN. OF 1.5mils DFT. TOP COAT WITH CLOVERDALE INDUSTRIAL ENAMEL 74851 (MEDIUM GREY) AT A MIN. OF 1.0mils DFT.
 - APPROXIMATE SHIPPING WEIGHT: 4,134 lbs (1,879 kg)
 - ALL FLANGES TO BE TWO HOLED TO CENTER LINE.
 - SOME ITEMS ARE SHOWN OUT OF POSITION FOR CLARITY.
 - ANCHOR RODS AND FOUNDATION DONE BY OTHERS.
 - MILL TEST CERTIFICATES ARE AVAILABLE FOR ALL PROCESS PIPING.
 - FABRICATION TOLERANCES AS PER QSP 3.3.3.
THE FOLLOWING ARE THE FABRICATION TOLERANCES UNDER 5ft:
IMPERIAL LINEAR DIMENSION.....1/8 inch
METRIC LINEAR DIMENSION.....3 mm
ANGULAR DIMENSION.....1.0 degrees
DIMENSION OVER 5ft.....+/- .2%
 - MIN. PURGE RATE FOR A 10" PURGE REDUCTION DEVICE IS 80 SCFH.



DESIGN NOTES:

DESIGN WIND SPEED: 80 mph
1/8" CORROSION ALLOWANCE

BASE LOADS:

MOMENT: 52,213 ft. lbs
SHEAR: 1,708 lbs
VERTICAL: 4,134 lbs

REVISION BLOCK			
REV	DATE	DESCRIPTION	BY
0	28-MAR-06	APPROVAL	JOW
1	11-APR-06	FABRICATION	JOW
2	20-JUNE-06	AS-BUILT	JOW

MACTRONIC
ENERFLEX

RED DEER, ALBERTA, CANADA

CLIENT: **ENCANA CORPORATION**

LOCATION: SUNDOWN PO # 1143-0
LSD: c-2-1/93-P-7 TAG #

TITLE: **10" DIA. x 60' - 0" FREESTANDING FLARE STACK**

DRAWN BY: JOW CHECKED BY: DATE: 28-MAR-06
APP. BY: PROJECT BY: SCALE: AS SHOWN

JOB ORDER #: B600820 DRAWING NUMBER: 6308-FS REV 2