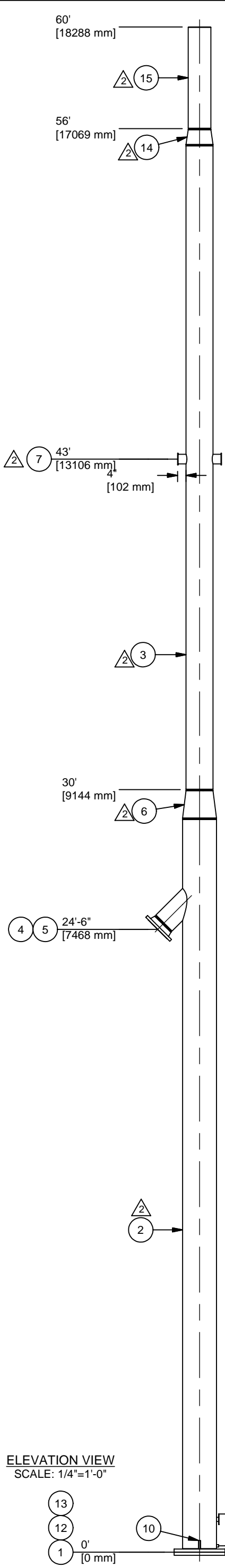


THIS DRAWING IS THE EXCLUSIVE PROPERTY OF MACTRONIC ENERFLEX AND MAY NOT BE REPRODUCED WITHOUT THE PERMISSION.

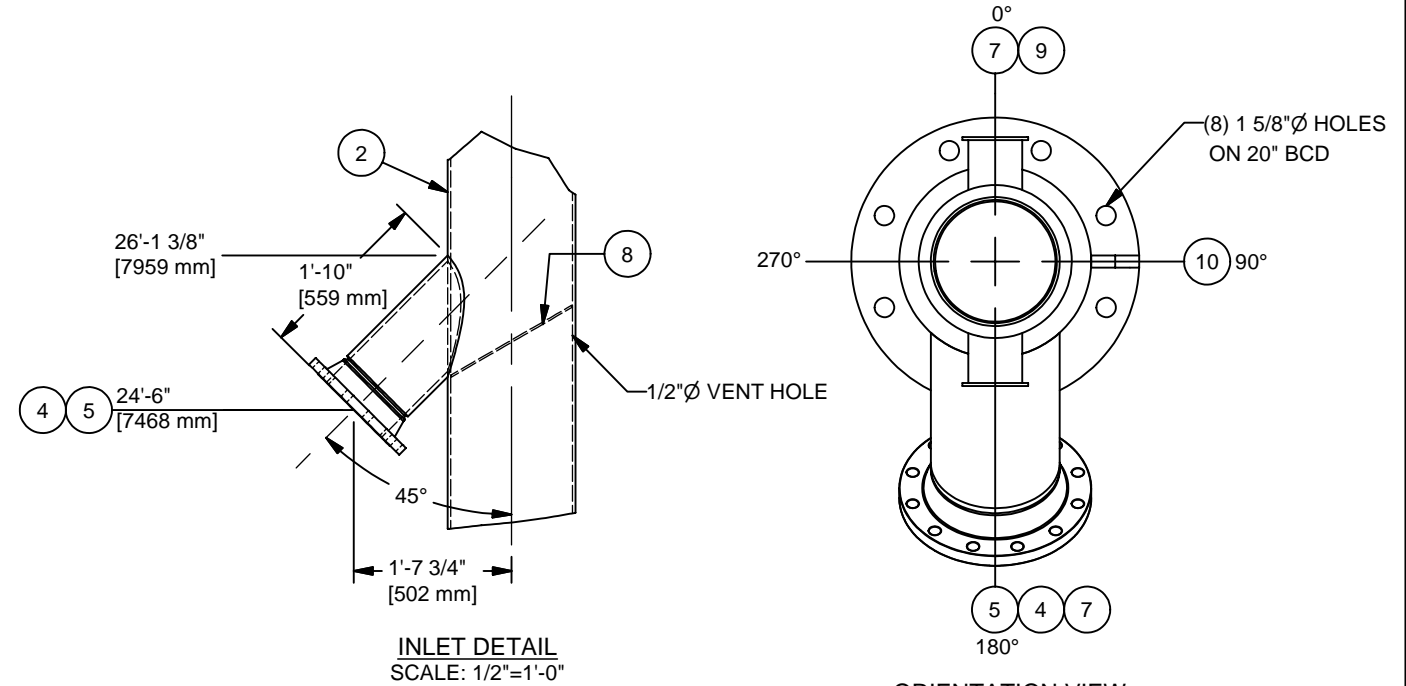


**ELEVATION VIEW**  
SCALE: 1/4"=1'-0"

Parts List				
ITEM	DESCRIPTION	QTY	SIZE	MAT
1	BASE/MATING PLATE	2	1 1/2" THK x 24" OD	SA-36/44W
2	LOWER STACK	1	16" SCH STD	SA-106-B
3	UPPER STACK	1	12" SCH STD	SA-106-B
4	INLET	1	10" SCH XS	SA-106-B
5	FLANGE RFWN	1	10" SCH XS - 150#	SA-105-N
6	CONCENTRIC REDUCER	1	16" x 12" SCH STD	SA-234-WPB
7	CHOKE TRUNNION	2	1/4" THK PLATE / 4" SCH XH PIPE	SA-36/44W/SA-106-B
8	BAFFLE PLATE	1	1/4" THK (C.T.S. @ 30°)	SA-36/44W
9	DRAIN	1	1/2" COUPLING	SA-105-N
10	TAILING LUG	1	1" THK PLATE	SA-36/44W
11	NAME PLATE c/w MOUNTING BRACKET	1	3/16" THK x 1/4" THK	SA-36/44W
12	STUDS	8	1 1/2" DIA. x 6" LG	SA-193-B7
13	NUTS	16	1 1/2" DIA.	SA-194-2H
14	CONCENTRIC REDUCER	1	12" x 10" SCH STD	SA-234-WPB
15	STACK TIP	1	10" SCH STD	SA-106-B

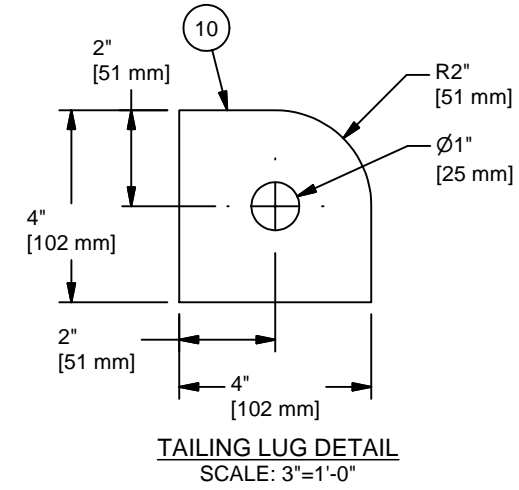
**GENERAL NOTES**

1. SURFACE PREPARATION: SSPC-SP6
2. COATINGS: PRIME WITH CLOVERDALE RUSTEX PRIMER 71024 AT A MIN OF 1.5mils DFT. TOP COAT WITH CLOVERDALE INDUSTRIAL ENAMEL 74851 (MEDIUM GREY) AT A MIN OF 1.0mils DFT.
3. APPROXIMATE SHIPPING WEIGHT: 3,841 LBS (1,742 KG)
4. ALL FLANGES TO BE TWO HOLED.
5. ANCHOR RODS AND FOUNDATION DONE BY OTHERS.
6. MILL TEST CERTIFICATES ARE AVAILABLE FOR ALL PROCESS PIPING.
7. FABRICATION TOLERANCES AS PER QSP 3.3.3.  
THE FOLLOWING ARE THE FABRICATION TOLERANCES UNDER 5ft:  
IMPERIAL LINEAR DIMENSION.....1/8inch  
METRIC LINEAR DIMENSION.....3 mm  
ANGULAR DIMENSION.....1.0 degrees  
DIMENSION OVER 5ft:..... +/- 2%
8. 100% RADIOGRAPHY ON 10% OF ALL CIRCUMFERENTIAL BUTT WELDS

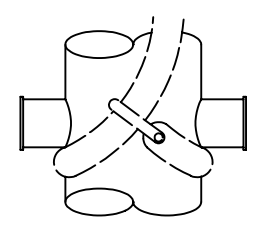


**INLET DETAIL**  
SCALE: 1/2"=1'-0"

**ORIENTATION VIEW**  
SCALE: 3/4"=1'-0"



**TAILING LUG DETAIL**  
SCALE: 3"=1'-0"



**CHOKE TRUNNION DETAIL**

**DESIGN NOTES:**

DESIGN WIND SPEED: 80 mph  
1/8" CORROSION ALLOWANCE

**BASE LOADS:**

MOMENT: 52,213 FT.LBS  
SHEAR: 1,708 LBS  
VERTICAL: 4,134 LBS

REVISION BLOCK			
REV	DATE	DESCRIPTION	BY
0	28-FEB-06	APPROVAL	LMS
1	14-MAR-06	FABRICATION	LMS
2	20-APR-06	FABRICATION	CGW

# MACTRONIC

ENERFLEX

RED DEER, ALBERTA, CANADA

CLIENT: ENCANA OIL AND GAS			
LOCATION:	STEEPROCK GAS PLANT	PO #	1129-0
LSD:	c-64-A/93-P-8	TAG #	S-4906
TITLE: 10"DIA x 60'-0" HIGH FREESTANDING VENT STACK			
DRAWN BY:	LMS	CHECKED BY:	DATE: 28-FEB-06
APP. BY:		PROJECT BY:	SCALE: AS SHOWN
JOB ORDER #	B600800	DRAWING NUMBER:	6290-VS
			REV 2

Z:\2006\6290-B6-800\6290-VS.dwg