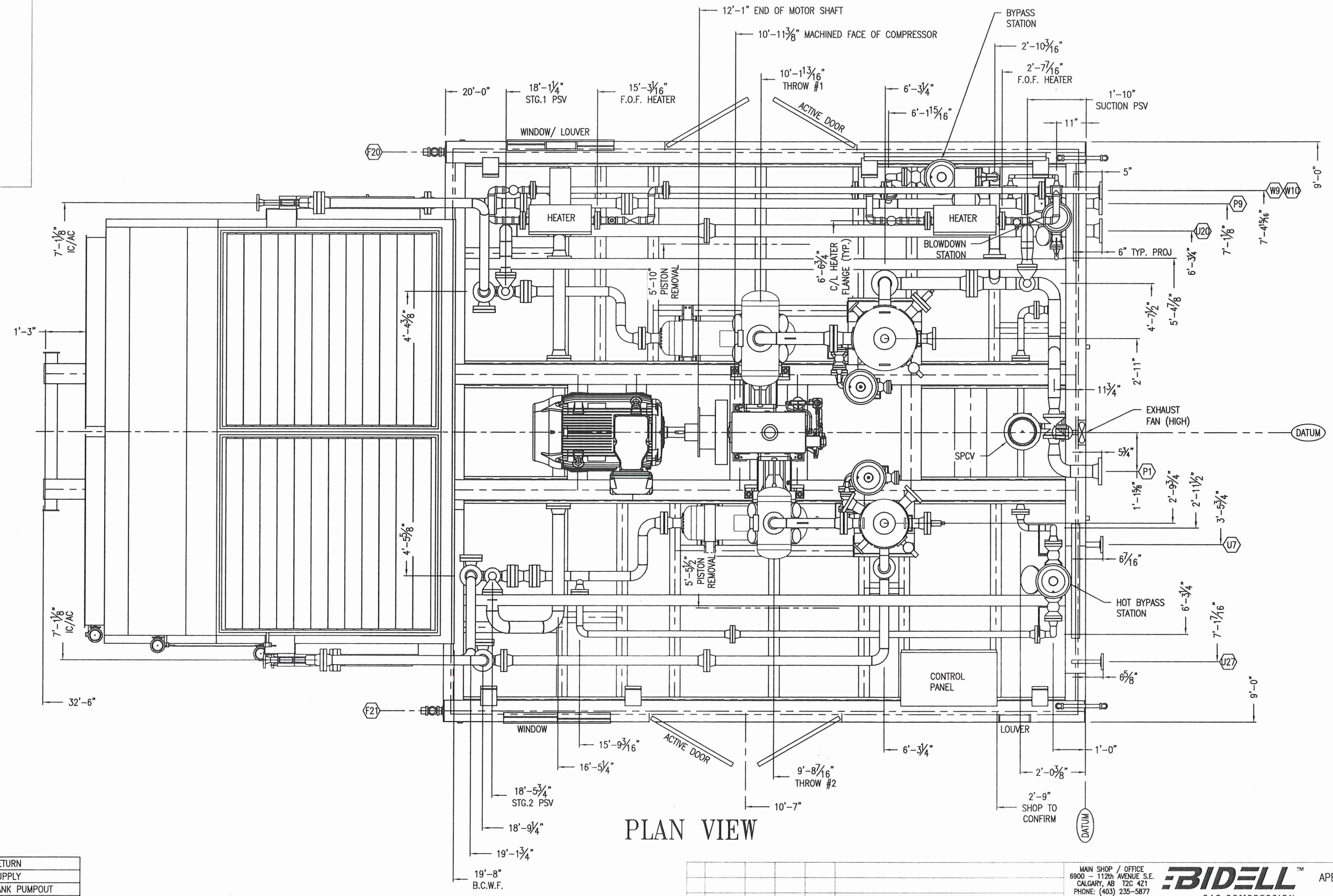


AS BUILT
AS BUILT
 2017/02/27

THIS DRAWING IS SOLE PROPERTY OF BIDEAL EQUIPMENT AND SHALL NOT BE REPRODUCED, COPIED, LENT, ALTERED NOR USED FOR ANY PURPOSE OTHER THAN WHICH IT IS FURNISHED EXCEPT WITH THE WRITTEN PERMISSION OF BIDEAL EQUIPMENT



PLAN VIEW

TAG	SIZE & RATING	SERVICE / DESCRIPTION
W10	2\"-300#RF	GLYCOL RETURN
W9	2\"-300#RF	GLYCOL SUPPLY
F21	2\"-NPT	LIQUID HOLDING TANK PUMPOUT
F20	2\"-NPT	WASTE OIL TANK PUMPOUT
U27	2\"-150#RF	INSTRUMENT AIR
U20	4\"-150#RF	FLARE HEADER
U7	1 1/2\"-300#RF	SCRUBBER DRAIN HEADER
P9	3\"-300#RF	FINAL DISCHARGE
P1	4\"-300#RF	INLET

TOTAL PACKAGE
 TOTAL PACKAGE WEIGHT = 79,500 lbs
 TOTAL PACKAGE LENGTH = 33'-3"
 TOTAL PACKAGE WIDTH (Incl. Eaves) = 19'-2"
 TOTAL PACKAGE HEIGHT = 18'-1"

REV	DATE	DRAWN	REVIEWED	APPROVED	DESCRIPTION
A	17-02-27	CA	CP	GM	UPDATE TOTAL PACKAGE WEIGHT
0	15-09-18	CA	CP	GM	AS BUILT SKID EDGE CONNECTIONS

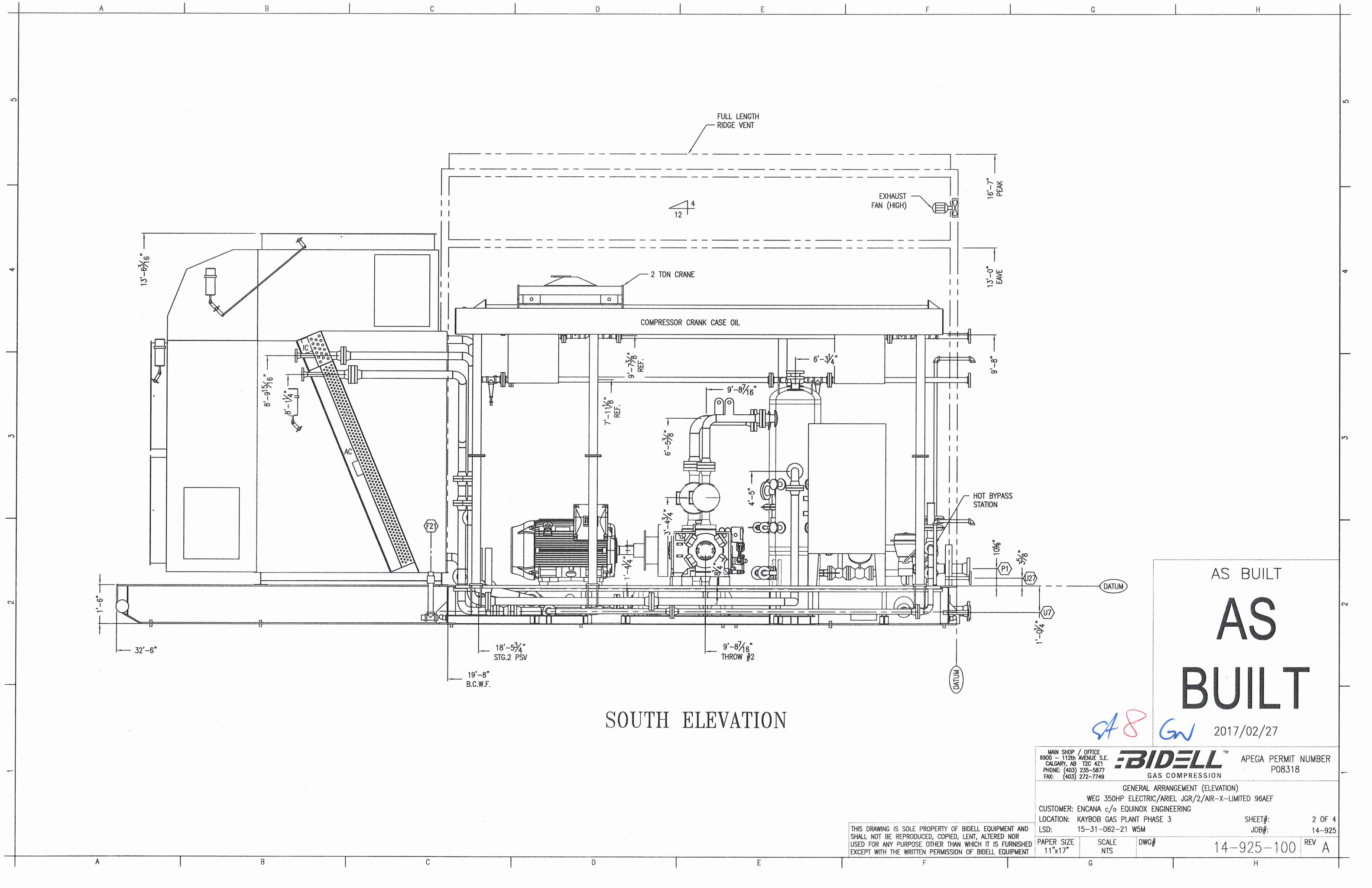
MAIN SHOP / OFFICE
 6900 - 112th AVENUE S.E.
 CALGARY, AB T2C 4Z1
 PHONE: (403) 235-5877
 FAX: (403) 272-7749

BIDELL™ APEGA PERMIT NUMBER P08318
 GAS COMPRESSION

GENERAL ARRANGEMENT (PLAN)
 WEG 350HP ELECTRIC/ARIEL JGR/2/AIR-X-LIMITED 96AEF
 CUSTOMER: ENCAN A c/o EQUINOX ENGINEERING
 LOCATION: KAYBOB GAS PLANT PHASE 3
 LSD: 15-31-062-21 WSM

SHEET#: 1 OF 4
 JOB#: 14-925

PAPER SIZE 11"x17" SCALE NTS DWG# 14-925-100 REV A



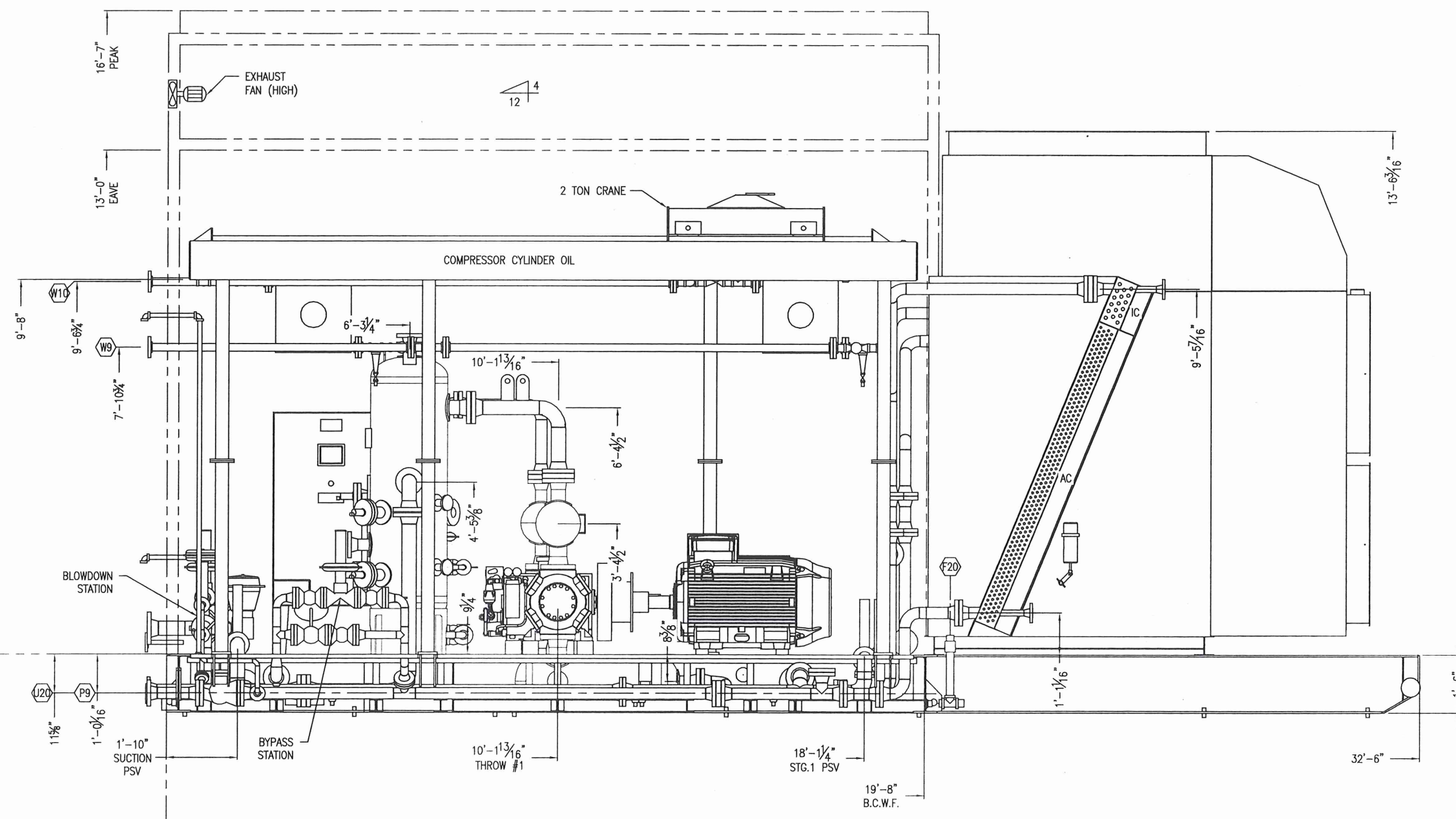
SOUTH ELEVATION

AS BUILT
AS BUILT

SA8 GW 2017/02/27

MAIN SHOP / OFFICE 6900 - 112th AVENUE S.E. CALGARY, AB T2C 4Z1 PHONE: (403) 235-5877 FAX: (403) 272-7749		BIDELL ™ GAS COMPRESSION		APEGA PERMIT NUMBER P08318	
GENERAL ARRANGEMENT (ELEVATION) WEG 350HP ELECTRIC/ARIEL JGR/2/AIR-X-LIMITED 96AEF					
CUSTOMER: ENCAN A c/o EQUINOX ENGINEERING					
LOCATION: KAYBOB GAS PLANT PHASE 3				SHEET#: 2 OF 4	
LSD: 15-31-062-21 W5M				JOB#: 14-925	
PAPER SIZE 11"x17"		SCALE NTS		DWG# 14-925-100	
				REV A	

THIS DRAWING IS SOLE PROPERTY OF BIDELL EQUIPMENT AND SHALL NOT BE REPRODUCED, COPIED, LENT, ALTERED NOR USED FOR ANY PURPOSE OTHER THAN WHICH IT IS FURNISHED EXCEPT WITH THE WRITTEN PERMISSION OF BIDELL EQUIPMENT



NORTH ELEVATION

AS BUILT
AS BUILT

AS & GW 2017/02/27

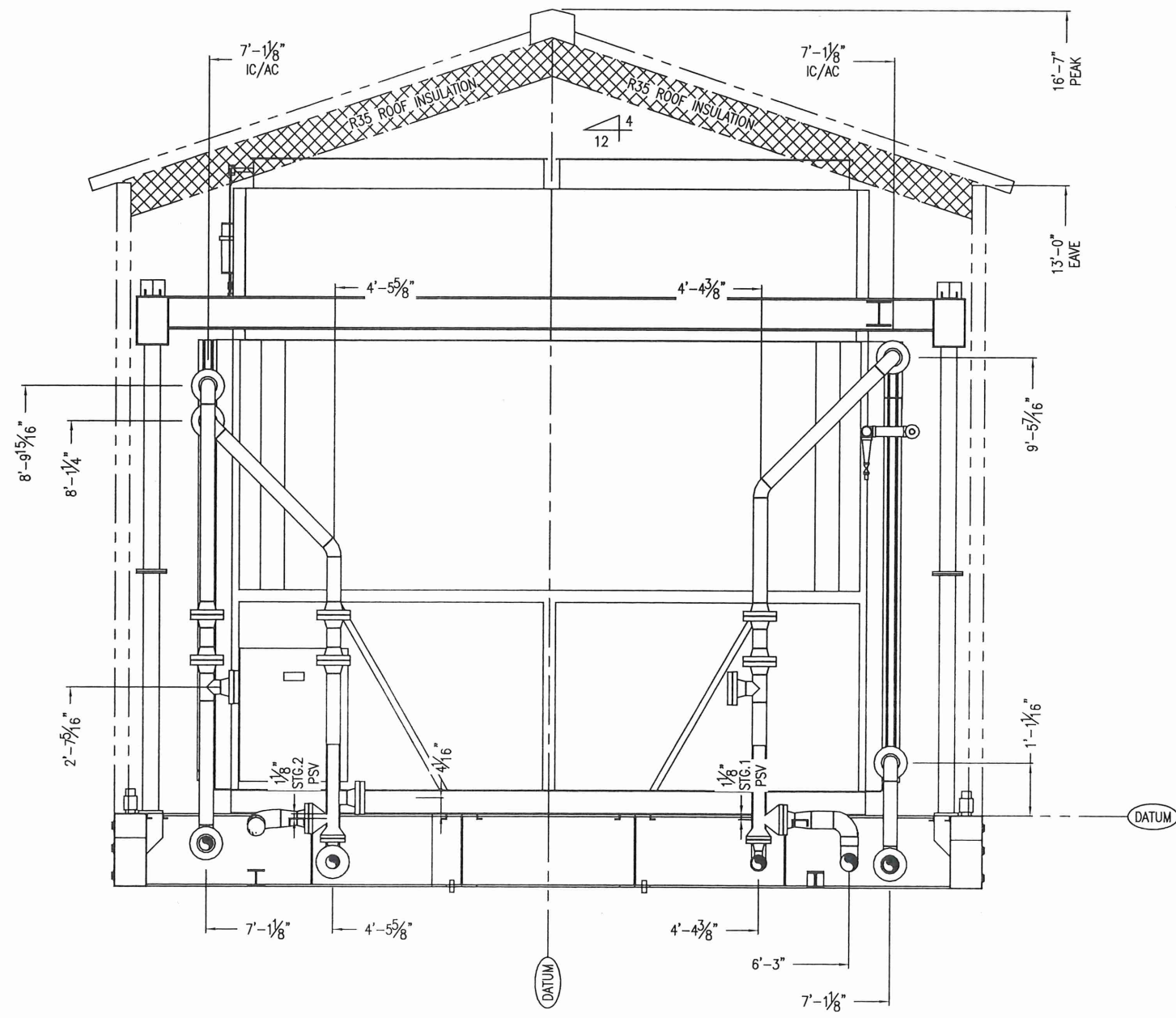
MAIN SHOP / OFFICE
 6900 - 112th AVENUE S.E.
 CALGARY, AB T2C 4Z1
 PHONE: (403) 235-5877
 FAX: (403) 272-7749

BIDELL™ APEGA PERMIT NUMBER
 P08318
 GAS COMPRESSION

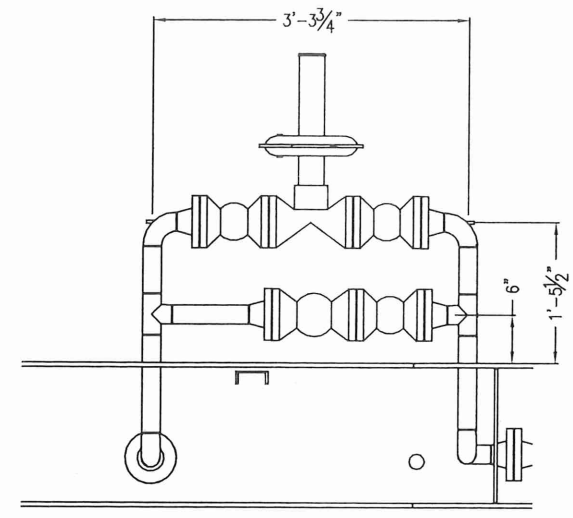
GENERAL ARRANGEMENT (ELEVATION)
 WEG 350HP ELECTRIC/ARIEL JGR/2/AIR-X-LIMITED 96AEF
 CUSTOMER: ENCANNA c/o EQUINOX ENGINEERING
 LOCATION: KAYBOB GAS PLANT PHASE 3
 LSD: 15-31-062-21 W5M

THIS DRAWING IS SOLE PROPERTY OF BIDELL EQUIPMENT AND SHALL NOT BE REPRODUCED, COPIED, LENT, ALTERED NOR USED FOR ANY PURPOSE OTHER THAN WHICH IT IS FURNISHED EXCEPT WITH THE WRITTEN PERMISSION OF BIDELL EQUIPMENT

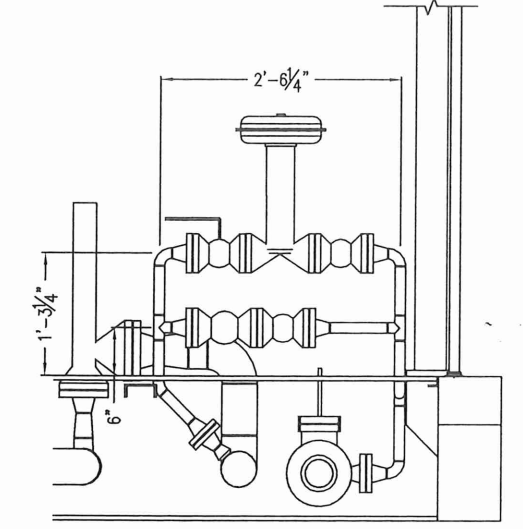
SHEET#: 3 OF 4
 JOB#: 14-925
 PAPER SIZE 11"x17" SCALE NTS DWG# 14-925-100 REV A



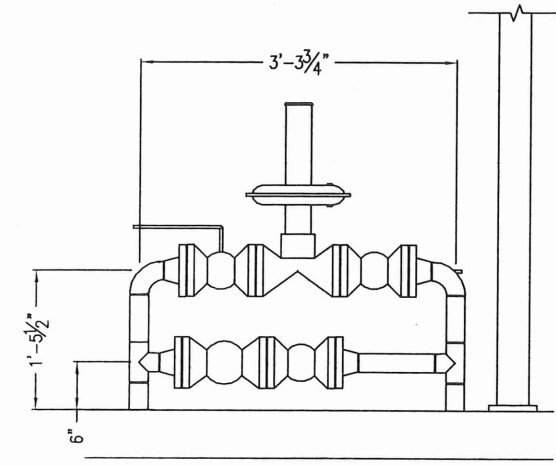
COOLER END VIEW



HOT BYPASS STATION



BLOWDOWN STATION



BYPASS STATION

AS BUILT

AS BUILT

2017/02/27

THIS DRAWING IS SOLE PROPERTY OF BIDELE EQUIPMENT AND SHALL NOT BE REPRODUCED, COPIED, LENT, ALTERED NOR USED FOR ANY PURPOSE OTHER THAN WHICH IT IS FURNISHED EXCEPT WITH THE WRITTEN PERMISSION OF BIDELE EQUIPMENT

MAIN SHOP / OFFICE
6900 - 112th AVENUE S.E.
CALGARY, AB T2C 4Z1
PHONE: (403) 235-5877
FAX: (403) 272-7749

BIDELL™ APEGA PERMIT NUMBER P08318
GAS COMPRESSION

GENERAL ARRANGEMENT (END)
WEG 350HP ELECTRIC/ARIEL JGR/2/AIR-X-LIMITED 96AEF
CUSTOMER: ENCAN c/o EQUINOX ENGINEERING
LOCATION: KAYBOB GAS PLANT PHASE 3
LSD: 15-31-062-21 W5M

SHEET#: 4 OF 4
JOB#: 14-925

PAPER SIZE 11"x17" SCALE NTS DWG# 14-925-100 REV A