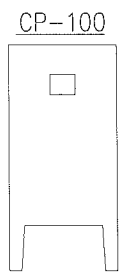
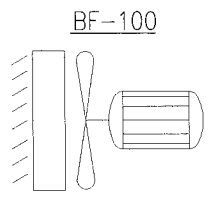


BUILDING DETAILS	
DESIGN LOAD BASIS:	CALGARY, ALBERTA
SNOW LOAD:	1000 kPa
WIND LOAD:	15 MPa
BUILDING CODE:	ALBERTA 2006
BUILDING TYPE:	SELF-FRAMING GABLE
LENGTH:	20'-0"
WIDTH:	18'-0"
EAVE HEIGHT:	12'-3"
ROOF SLOPE:	4:12
WALL INSULATION:	R12 FIBREGLASS (3-1/2" THICK WALLS)
ROOF INSULATION:	R35 FIBREGLASS (9" THICK)
WINDOWS:	2 x 40"x40" HORIZONTAL SLIDING c/w SCREEN (SINGLE GLAZED)
BUILDING LINER:	24 ga PERFORATED FLUTED ALUMINIUM
VAPOUR BARRIER:	6 MIL POLYETHYLENE
ROOF OPTIONS:	EAVESTROUGHS, DOWNSPOUTS & ICE RAKES
FASTENERS:	CLIMASEAL
DOOR DETAILS	
2 x DOUBLE MAN-DOORS c/w WEATHER STRIPPING	
WIRE GLAZED WINDOW (ONE)	
PANIC HARDWARE	
LOCKSET	
DOOR CLOSURE	
STEEL FRAME	
CHECKCHAIN	
CANOPY	
VENTILATION DETAILS	
RIDGE VENT:	FULL LENGTH, 6" THROAT, c/w MANUAL CONTROLS & BIRDSCREEN
WALL LOUVRES:	2 x 18"x32" ADJUSTABLE c/w MANUAL CONTROL & SCREEN
BUILDING FAN DETAILS:	REFER TO DRAWING EQUIPMENT TAGS
ADDITIONAL NOTES:	
8.1 BUILDING TO BE FABRICATED AT BIDELL MAIN SHOP	
8.2 P.ENG STAMPED BUILDING DRAWINGS REQ'D	

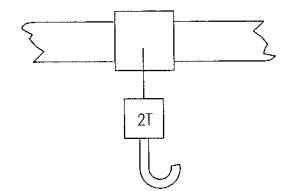
CP-100
MFG: ALLEN-BRADLEY
MODEL: COMPACT-LOGIX
POWER SUPPLY: 1 x 24VDC
AREA CLASSIFICATION:
CSA, CLASS I, DIV 2, GROUPS C & D
TEMP CODE T2D
S/N: DE-37288-AA



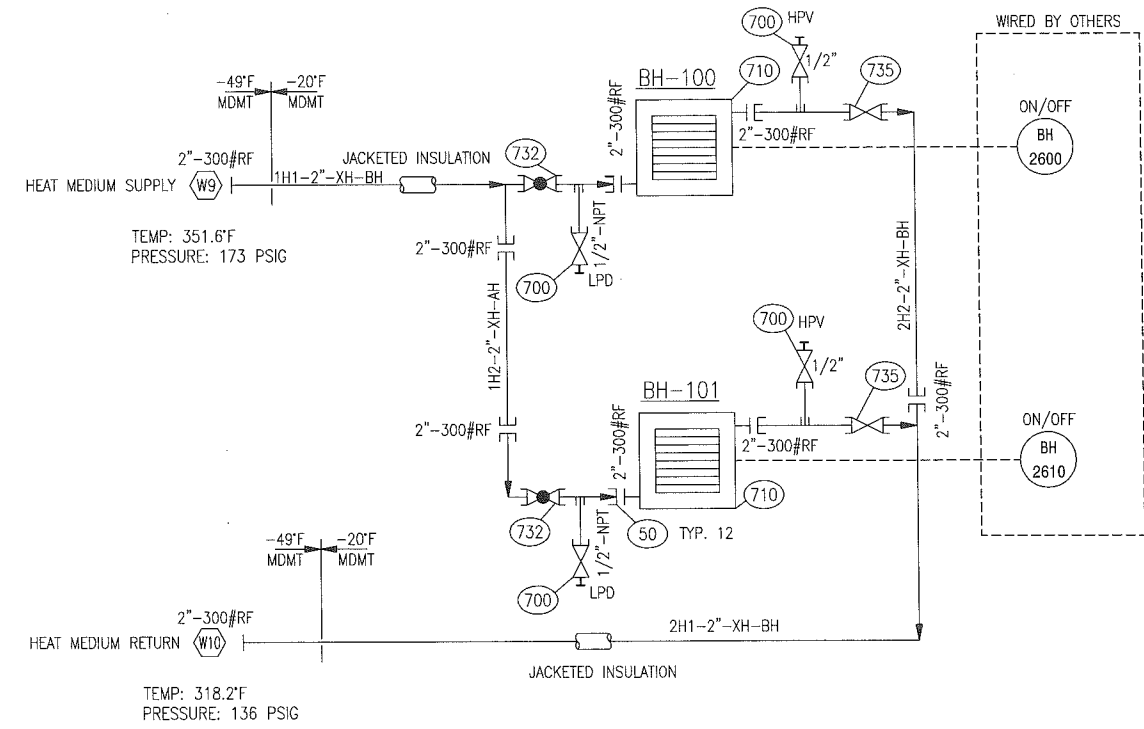
BF-100
MFG: SOPER'S AIR
MODEL: KL16XP1PH
DIAMETER: 16"
FLOW: 2500 CFM @ 1/8"H₂O
POWER: 1/4 HP @ 1725 RPM
ELECTRICAL: 115/208/230VAC/1PH/60HZ
AREA CLASSIFICATION:
EXPLOSION PROOF,
CLASS I GROUP C & D,
CLASS II GROUP F & G
TEMP CODE T3



BH-100/101
BUILDING HEATER
MFG: RUFFNECK
DIAMETER: 16"
MODEL: AH-16A-B3A1-A1-2A
POWER: 115V/1PH/60HZ
CLASS 1, DIV 1&2, GROUP C & D, XP
TEMP CODE T3



BILL OF MATERIALS				
MK	QTY	PART NUMBER	DESCRIPTION	
50	12	SW-1003	FLANGE, RFSW, 2"-300#, S/80, SA105N	
700	4	GTSW-0017	VALVE, GATE, 1/2"-SW X FNPT, CL800, SWEET MFG: NEWCO MODEL: 18X-FS2-RP	
710	2	HEE-1127	HEATER, GLYCOL, 2"-300#RF, 3 PASS, 16" FAN, MAWP:450PSIG@650°F, 1780SCFM MAX, 115V/1PH/60HZ, 1/2HP MOTOR, XP, HOUSING: ALUM, TUBE: CS MFG: RUFFNECK MODEL: AH-16A-B3D1-A1-2A	
732	2	GBW-1005	VALVE, GLOBE, 2" CL800, SW, RP, SWEET MFG: NEWCO MODEL: 28SFS2-20	
735	2	GTSW-0018	VALVE, GATE, 2", SW, CL800, SWT MFG: NEWCO MODEL: 18S-FS2	



LINE TYPE	LEGEND
PROCESS PIPING	—————
UTILITY PIPING	—————
SEAMLESS TUBING	—————
ELECTRICAL WIRING	-----
INTERNAL LOGIC	-----
OEM SUPPLIED	-----
ASSEMBLY BOUNDARY	-----
BUILDING WALL	-----
DRIVETRAIN	-----
CUSTOMER SUPPLIED	-----
EXISTING EQUIPMENT	-----

INSTRUMENTATION	TAGGING LEGEND
LOCAL MOUNTED DEVICE	○
PANEL MOUNTED DEVICE	○
OFF-SKID MOUNTED DEVICE	○
SIGNAL TO PANEL	◊
SIGNAL TO OFF-SKID	◊
PANEL LOGIC	◊

THIS DRAWING IS SOLE PROPERTY OF BIDELL EQUIPMENT AND SHALL NOT BE REPRODUCED, COPIED, LENT, ALTERED NOR USED FOR ANY PURPOSE OTHER THAN WHICH IT IS FURNISHED EXCEPT WITH THE WRITTEN PERMISSION OF BIDELL EQUIPMENT

AS BUILT
AS BUILT
2015/10/16

REV	DATE	CREATED	REVIEWED	APPROVED	DESCRIPTION
0	15-10-16	GW	TT	CM	AS BUILT

REVISIONS

MAIN SHOP / OFFICE
6900 - 112th AVENUE S.E.
CALGARY, AB T2C 4Z1
PHONE: (403) 235-5877
FAX: (403) 272-7749

BIDELL™ APEGA PERMIT NUMBER P08318
GAS COMPRESSION

BUILDING AND ELECTRICAL DETAILS
WEG 350HP ELECTRIC/ARIEL JGR/2/AIR-X-LIMITED 96AEF
CUSTOMER: ENCAN c/o EQUINOX ENGINEERING
LOCATION: KAYBOB GAS PLANT PHASE 3 (DE-ETHANIZER) SHEET#: 1 OF 1
LSD: 15-31-062-21 W5M JOB#: 14-925

PAPER SIZE 11"x17" SCALE NTS DWG# 14-925-770 REV 0