

TAG	SIZE & RATING	SERVICE / DESCRIPTION
W10	2"-300#RF	GLYCOL RETURN
W9	2"-300#RF	GLYCOL SUPPLY
F20	2"-NPT	WASTE OIL TANK PUMPOUT
F19	1"-150#RF	SEAL POT DRAIN
U30	1"-150#RF	LOW PRESSURE FLARE
U24	1"-150#RF	COMPRESSOR PURGE
U23	2"-150#RF	PURGE GAS INLET
U20	3"-150#RF	FLARE HEADER
U8	2"-600#RF	STAGE 3 SCRUBBER DRAIN OUTLET
U7	2"-300#RF	STAGE 1/2 SCRUBBER DRAIN HEADER
P9	3"-600#RF	FINAL DISCHARGE
P1	6"-150#RF	INLET
TAG	SIZE & RATING	SERVICE / DESCRIPTION

SCHEDULE OF OPENINGS

TOTAL PACKAGE
 TOTAL PACKAGE WEIGHT = APPROX. 120,000 LBS
 TOTAL PACKAGE LENGTH = 41'-3 1/4"
 TOTAL PACKAGE WIDTH (Incl. Eaves) = 22'-2"
 TOTAL PACKAGE HEIGHT = 18'-2"

THIS DRAWING IS SOLE PROPERTY OF BIDELL EQUIPMENT AND SHALL NOT BE REPRODUCED, COPIED, LENT, ALTERED NOR USED FOR ANY PURPOSE OTHER THAN WHICH IT IS FURNISHED EXCEPT WITH THE WRITTEN PERMISSION OF BIDELL EQUIPMENT

ISSUED FOR CONSTRUCTION

IFC

2015/08/27

REV	DATE	DRAWN	REVIEWED	APPROVED	DESCRIPTION
A	15-08-26	KM	CP	GM	ISSUED FOR CONSTRUCTION
0	15-07-21	KM	CP	GM	ISSUED FOR APPROVAL

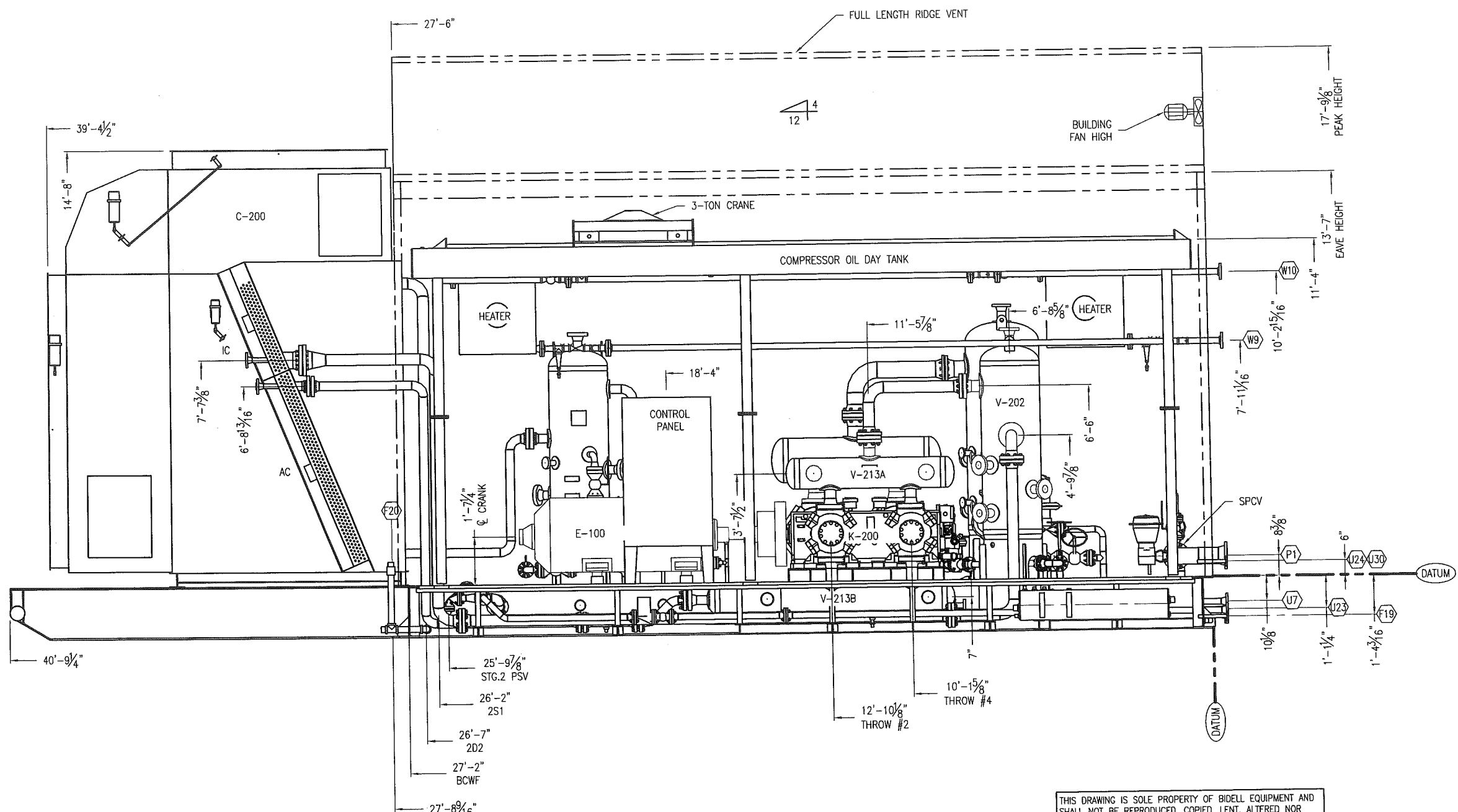
REVISIONS	
MAIN SHOP / OFFICE 6900 - 112th AVENUE S.E. CALGARY, AB T2C 4Z1 PHONE: (403) 235-5877 FAX: (403) 272-7749	BIDELL ™ GAS COMPRESSION

GENERAL ARRANGEMENT (PLAN)
 WEG 600HP ELECTRIC / ARIEL JGR/4 / AIR-X-LIMITED 10BEF
 CUSTOMER: ENCANNA c/o EQUINOX ENGINEERING
 LOCATION: KAYBOB GAS PLANT
 LSD: 15-31-062-21 WSM

APEGA PERMIT NUMBER P08318

SHEET#: 1 OF 4
 JOB#: 14-Q303

PAPER SIZE	SCALE	DWG#	REV
11"x17"	NTS	14-Q303-100	A



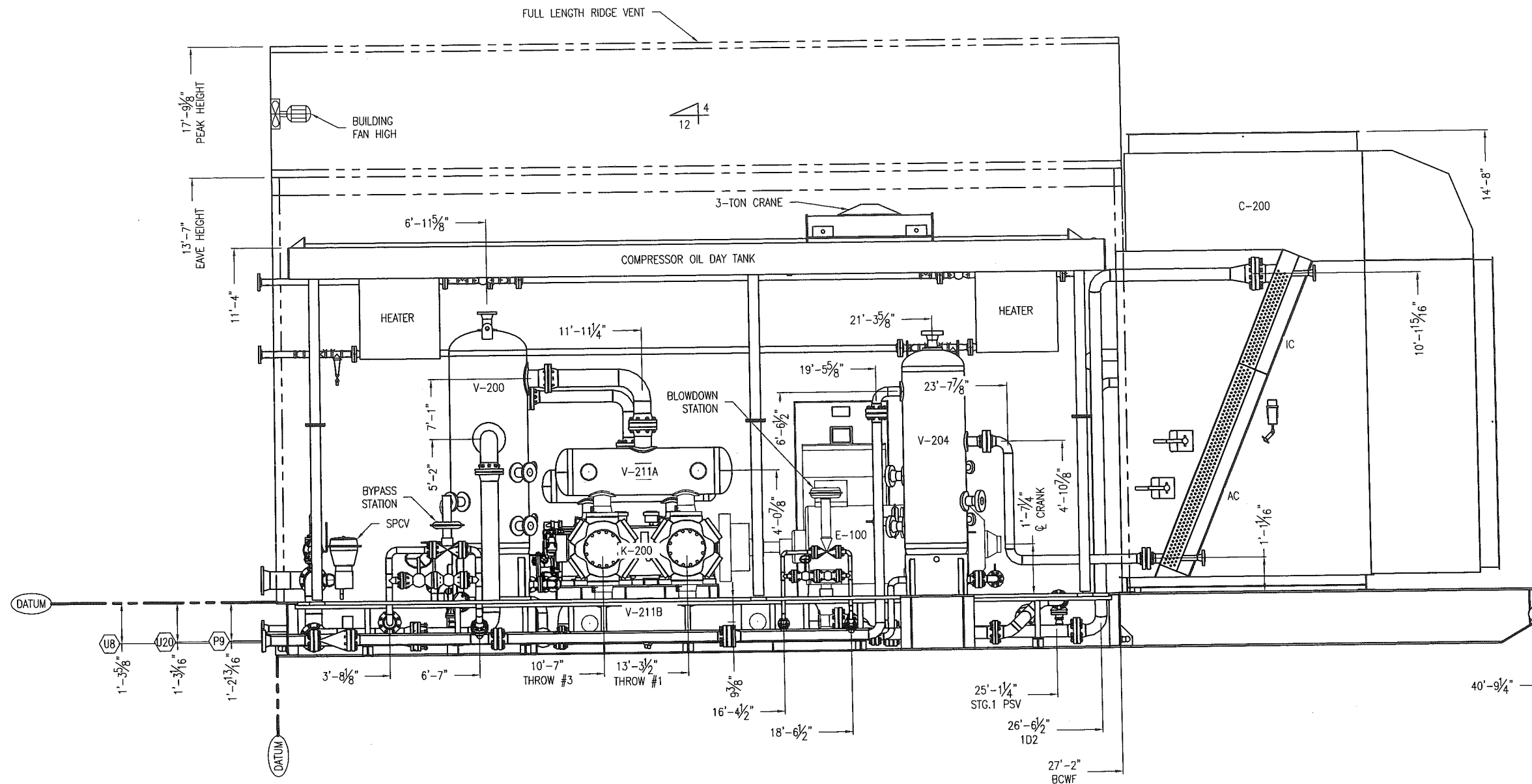
THIS DRAWING IS SOLE PROPERTY OF BIDELL EQUIPMENT AND SHALL NOT BE REPRODUCED, COPIED, LENT, ALTERED NOR USED FOR ANY PURPOSE OTHER THAN WHICH IT IS FURNISHED EXCEPT WITH THE WRITTEN PERMISSION OF BIDELL EQUIPMENT

ISSUED FOR CONSTRUCTION

IFC

2015/08/27

REV	DATE	CREATED	REMOVED	APPROVED	DESCRIPTION
A	15-08-26	KM	CP	GM	ISSUED FOR CONSTRUCTION
REVISIONS					
MAIN SHOP / OFFICE 6900 - 112th AVENUE S.E. CALGARY, AB T2C 4Z1 PHONE: (403) 235-5877 FAX: (403) 272-7749					
BIDELL™					APEGA PERMIT NUMBER P08318
GENERAL ARRANGEMENT (SOUTH ELEVATION)					
WEG 600HP ELECTRIC / ARIEL JGR/4 / AIR-X-LIMITED 108EF					
CUSTOMER: ENCANIA c/o EQUINOX ENGINEERING					
LOCATION: KAYBOB GAS PLANT				SHEET#:	2 OF 4
LSD: 15-31-062-21 W5M				JOB#:	14-Q303
PAPER SIZE 11"x17"	SCALE NTS	DWG#	14-Q303-100		REV A



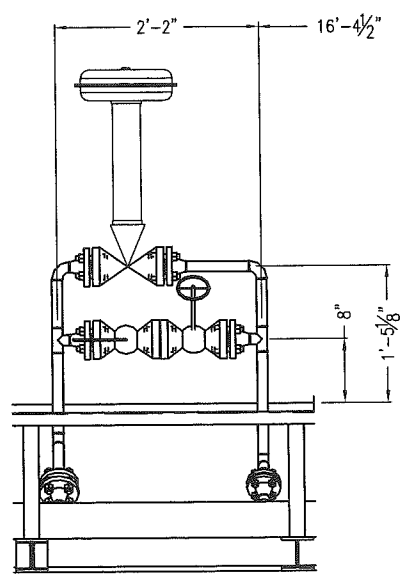
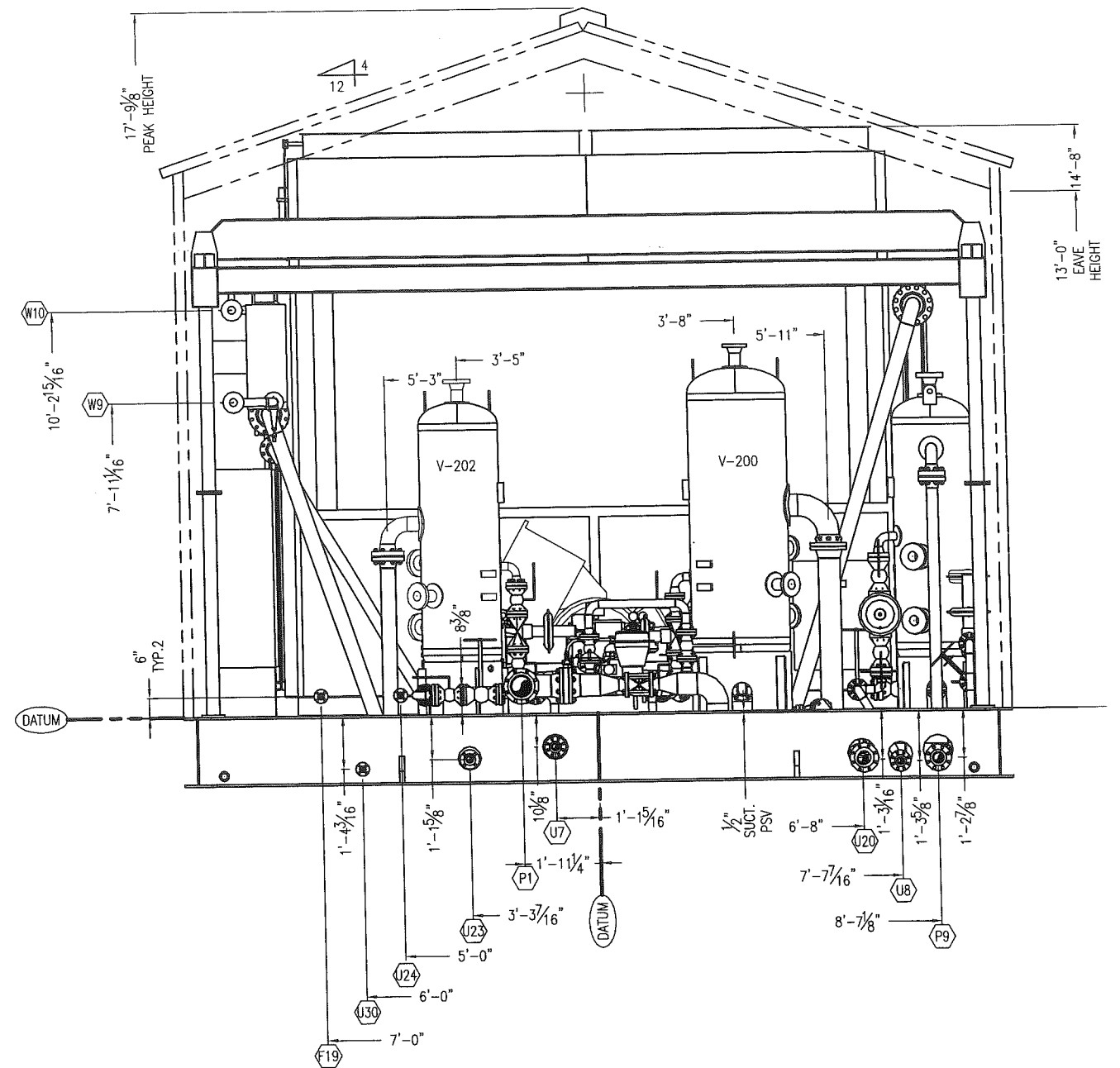
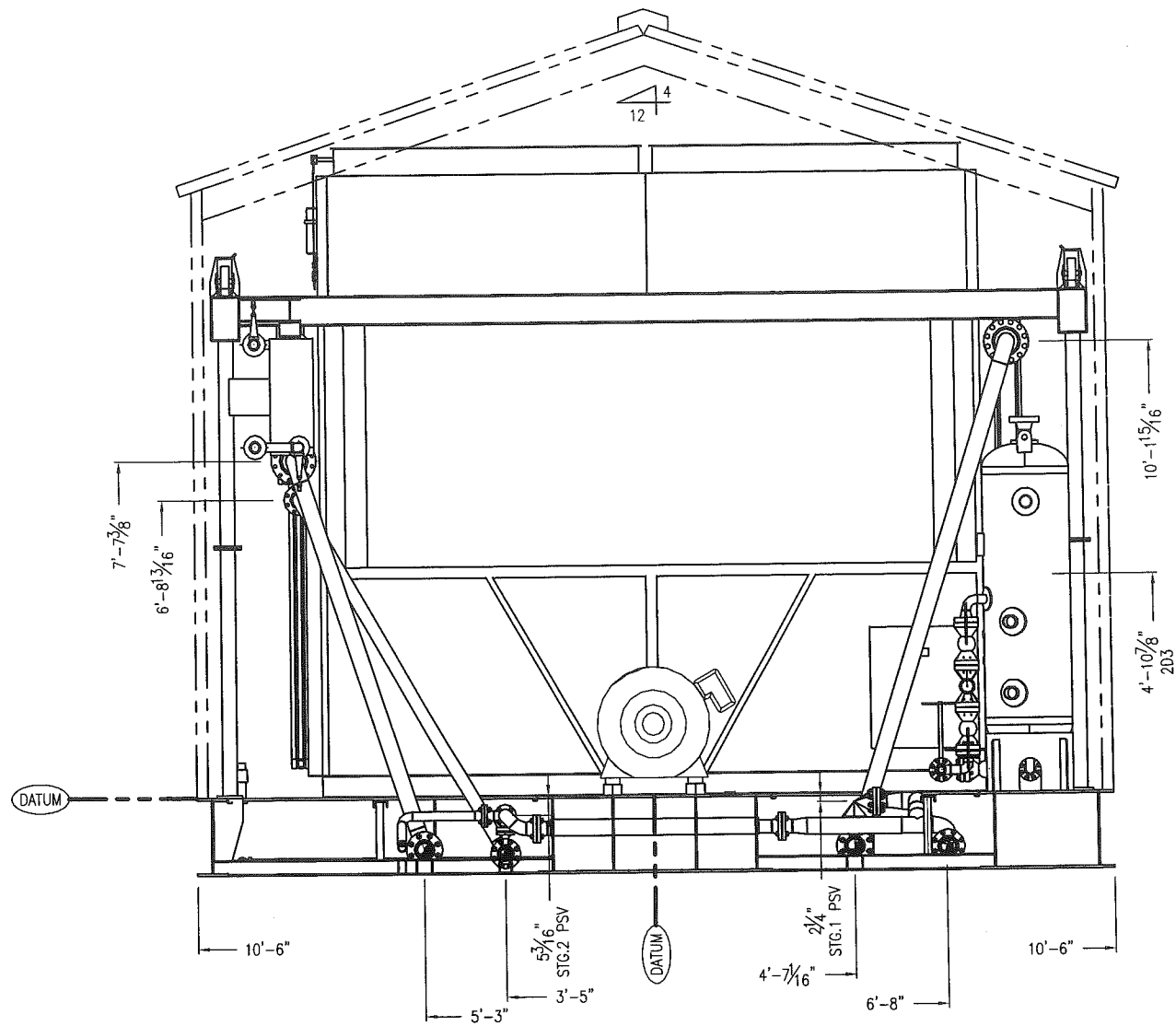
THIS DRAWING IS SOLE PROPERTY OF BIDELL EQUIPMENT AND SHALL NOT BE REPRODUCED, COPIED, LENT, ALTERED NOR USED FOR ANY PURPOSE OTHER THAN WHICH IT IS FURNISHED EXCEPT WITH THE WRITTEN PERMISSION OF BIDELL EQUIPMENT

ISSUED FOR CONSTRUCTION

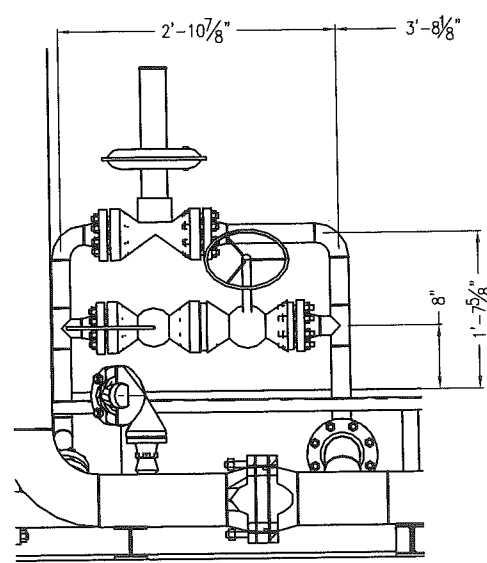
IFC

2015/08/27

A	15-08-26	KM	CP	GM	ISSUED FOR CONSTRUCTION
REV	DATE	CREATED	REVIEWED	APPROVED	DESCRIPTION
REVISIONS					
MAIN SHOP / OFFICE		BIDELL™		APEGA PERMIT NUMBER	
6900 - 112th AVENUE S.E.				P08318	
CALGARY, AB T2C 4Z1		GAS COMPRESSION			
PHONE: (403) 235-5877					
FAX: (403) 272-7749					
GENERAL ARRANGEMENT (NORTH ELEVATION)					
WEG 600HP ELECTRIC / ARIEL JGR/4 / AIR-X-LIMITED 108EF					
CUSTOMER: ENCAN c/o EQUINOX ENGINEERING					
LOCATION: KAYBOB GAS PLANT				SHEET#:	3 OF 4
LSD: 15-31-062-21 WSM				JOB#:	14-Q303
PAPER SIZE	SCALE	DWG#	14-Q303-100		REV A
11"x17"	NTS				



BLOWDOWN STATION



BYPASS STATION

THIS DRAWING IS SOLE PROPERTY OF BIDELL EQUIPMENT AND SHALL NOT BE REPRODUCED, COPIED, LENT, ALTERED NOR USED FOR ANY PURPOSE OTHER THAN WHICH IT IS FURNISHED EXCEPT WITH THE WRITTEN PERMISSION OF BIDELL EQUIPMENT

ISSUED FOR CONSTRUCTION

IFC

2015/08/27

A	15-08-26	KM	CP	GM	ISSUED FOR CONSTRUCTION
REV	DATE	CREATED	REMOVED	APPROVED	DESCRIPTION
REVISIONS					
MAIN SHOP / OFFICE 6900 - 112th AVENUE S.E. CALGARY, AB T2C 4Z1 PHONE: (403) 235-5877 FAX: (403) 272-7749					BIDELL™ APEGA PERMIT NUMBER P08318 GAS COMPRESSION
GENERAL ARRANGEMENT (END VIEWS) / CONTROL STATION DETAILS					
WEG 600HP ELECTRIC / ARIEL JGR/4 /AIR-X-LIMITED 108EF					
CUSTOMER: ENCAN A c/o EQUINOX ENGINEERING					
LOCATION: KAYBOB GAS PLANT				SHEET#:	4 OF 4
LSD: 15-31-062-21 W5M				JOB#:	14-Q303
PAPER SIZE	SCALE	DWG#	14-Q303-100		REV A
11"x17"	NTS				