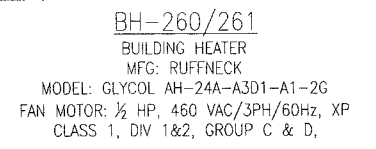
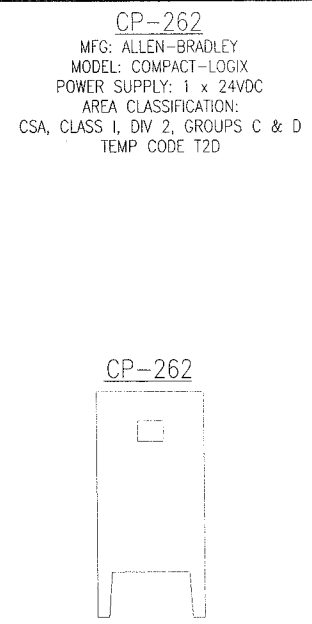
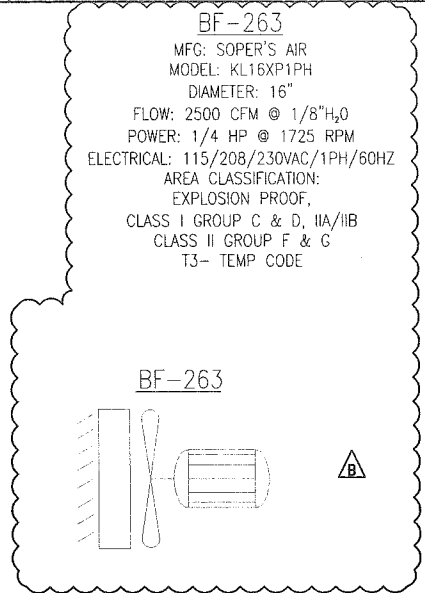
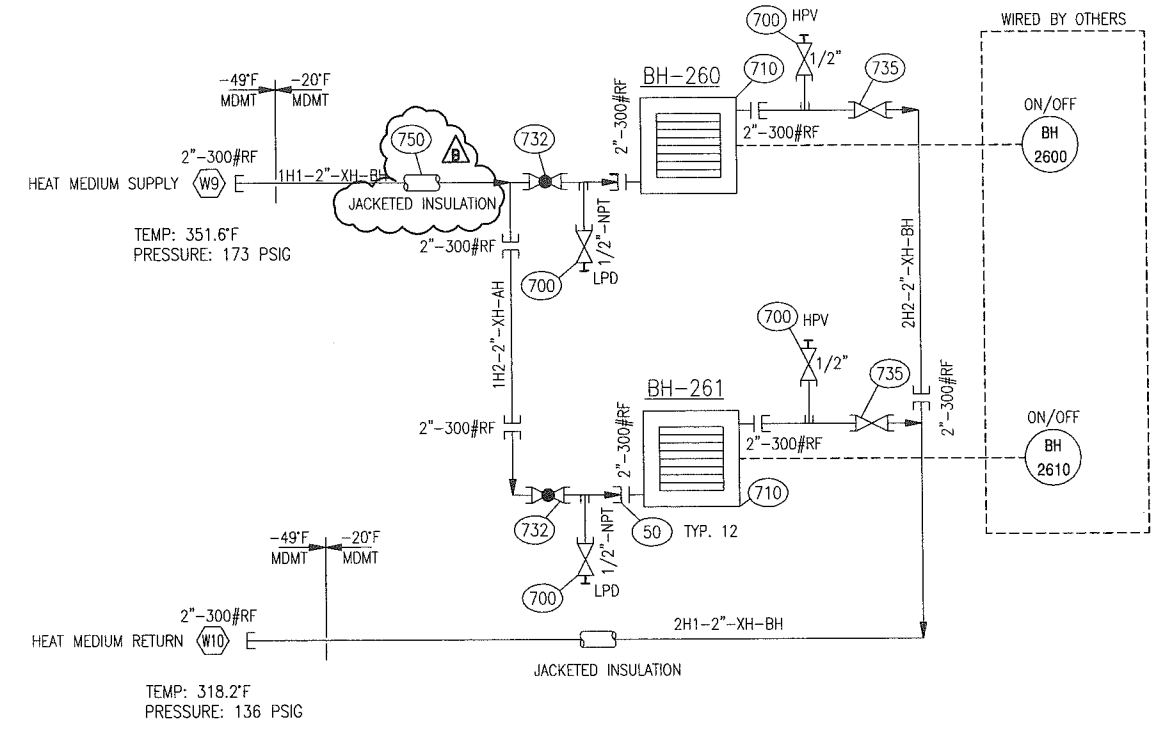
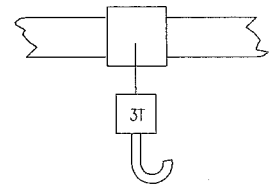


BUILDING DETAILS	
DESIGN LOAD BASIS:	LSD: 15-31-062-21 W5M
SNOW LOAD:	TBD kPa
WIND LOAD:	TBD MPa
BUILDING CODE:	ALBERTA 2006
BUILDING TYPE:	SELF-FRAMING GABLE
LENGTH:	27'-6"
WIDTH:	21'-0"
EAVE HEIGHT:	12'-4"
ROOF SLOPE:	4:12
WALL INSULATION:	R12 FIBREGLASS (3-1/2" THICK WALLS)
ROOF INSULATION:	R35 FIBREGLASS (9" THICK)
WINDOWS:	2 x 40"x40" HORIZONTAL SLIDING c/w SCREEN (SINGLE GLAZED)
BUILDING LINER:	24 ga PERFORATED FLUTED ALUMINIUM
VAPOUR BARRIER:	6 MIL POLYETHYLENE
ROOF OPTIONS:	EAVESTROUGHS, DOWNSPOUTS & ICE RAKES
FASTENERS:	CLIMASEAL
DOOR DETAILS	
2 x DOUBLE MAN-DOORS c/w WEATHER STRIPPING	
WIRE GLAZED WINDOW (ONE)	
PANIC HARDWARE	
LOCKSET	
DOOR CLOSURE	
STEEL FRAME	
CHECKCHAIN	
CANOPY	
VENTILATION DETAILS	
RIDGE VENT:	FULL LENGTH, 6" THROAT, c/w MANUAL CONTROLS & BIRDSCREEN
WALL LOUVRES:	4 x 18"x32" ADJUSTABLE c/w MANUAL CONTROL & SCREEN
BUILDING FAN DETAILS:	REFER TO DRAWING EQUIPMENT TAGS
ADDITIONAL NOTES:	
8.1 BUILDING TO BE FABRICATED AT BIDELL MAIN SHOP	
8.2 P.ENG STAMPED BUILDING DRAWINGS REQ'D	



BILL OF MATERIALS			
MK	QTY	PART NUMBER	DESCRIPTION
50	12	SW-1003	FLANGE, RFSW, 2"-300#, S/80, SA105N
700	4	GTSW-0017	VALVE, GATE, 1/2"-SW X FNPT, CL800, SWEET MFG: NEWCO MODEL: 18X-FS2-RP
710	2	HEE-1118	HEATER, GLYCOL, 2"-300#, 3 PASS, 24" FAN, 460V/3PH/60HZ/, 1/2 HP MOTOR, XP MFG: RUFFNECK MODEL: AH-24A-A3D1-A1-2G
732	2	GBW-1005	VALVE, GLOBE, 2" CL800, SW, RP, SWEET MFG: NEWCO MODEL: 2BSFS2-20
735	2	GTSW-0018	VALVE, GATE, 2", SW, CL800, SWT MFG: NEWCO MODEL: 18S-FS2
750	1	INS.0017	INSULATION, PIPING, 2", 2" MINERAL WOOL, NO AIR GAP, SS INNER LINER, ALUMINIUM COVER



LINETYPE LEGEND	INSTRUMENTATION TAGGING LEGEND
PROCESS PIPING	LOCAL MOUNTED DEVICE
UTILITY PIPING	PANEL MOUNTED DEVICE
SEAMLESS TUBING	OFF-SKID MOUNTED DEVICE
ELECTRICAL WIRING	SIGNAL TO PANEL
INTERNAL LOGIC	SIGNAL TO OFF-SKID
OEM SUPPLIED	PANEL LOGIC
ASSEMBLY BOUNDARY	
BUILDING WALL	
DRIVETRAIN	
CUSTOMER SUPPLIED	
EXISTING EQUIPMENT	

THIS DRAWING IS SOLE PROPERTY OF BIDELL EQUIPMENT AND SHALL NOT BE REPRODUCED, COPIED, LENT, ALTERED NOR USED FOR ANY PURPOSE OTHER THAN WHICH IT IS FURNISHED EXCEPT WITH THE WRITTEN PERMISSION OF BIDELL EQUIPMENT

ISSUED FOR CONSTRUCTION

IFC

2015/09/24

UNIT NUMBER

14-928	<input type="checkbox"/>
14-929	<input type="checkbox"/>
14-930	<input type="checkbox"/>

REV	DATE	CREATED	REVIEWED	APPROVED	DESCRIPTION
B	15-09-24	GW	IT	GM	REVISED AS NOTED
A	15-06-19	GW	IT	GM	ISSUED FOR CONSTRUCTION
O	15-03-13	DM	GW	GM	ISSUED FOR APPROVAL

REVISIONS

MAIN SHOP / OFFICE
6900 - 112th AVENUE S.E.
CALGARY, AB T2C 4Z1
PHONE: (403) 235-5877
FAX: (403) 272-7749

BIDELL™ APEGA PERMIT NUMBER P08318
GAS COMPRESSION

BUILDING AND ELECTRICAL DETAILS
WEG 600HP ELECTRIC/ARIEL JGR/4/AIR-X-LIMITED 108EF

CUSTOMER: ENCAN c/o EQUINOX ENGINEERING

LOCATION: KAYBOB GAS PLANT

LSD: 15-31-062-21 W5M

PAPER SIZE 11"x17"

SCALE NTS

DWG# 14-Q303-770

SHEET# 1 OF 1
JOB# 14-Q303
REV B