

ORIGINAL

ENCANA PO#	P050563
NWP UNIT	LSD
08996-001	
08996-002	
08996-003	
08996-004	
08996-005	
08996-006	
08996-007	
08996-008	

AS BUILT

REV	DATE	BY	CHK	APP	DESCRIPTION
0	FEB 08/14	CT			ISSUED FOR CONSTRUCTION
A	JAN 7/14	RMM			ISSUED FOR APPROVAL

DRAWING REVISIONS

ISSUED FOR CONSTRUCTION

SIGNED: *[Signature]*
 DATE: Mar 19 2014
 W.O.: 08996-006
 S/N: NWP-08996-006

ALL DIMENSIONS IN INCHES

NWP INDUSTRIES INC.
 Total oilfield supply.

P.O. BOX 8280, WINNIPEG, AB T4G 1S9
 PH: (403) 227-4100 FAX: (403) 227-4102

SCALE: N.T.S.
 WEIGHT: [Blank]

ENGANA CORPORATION
 LINEHEATER AND METERING PACKAGE
 SWEET SERVICE
 3.5 MMBTU/HR 72" O.D. x 338" S/S
 (2) 4" 800# JR METER RUNS
 PIPING AND INSTRUMENTATION DIAGRAM

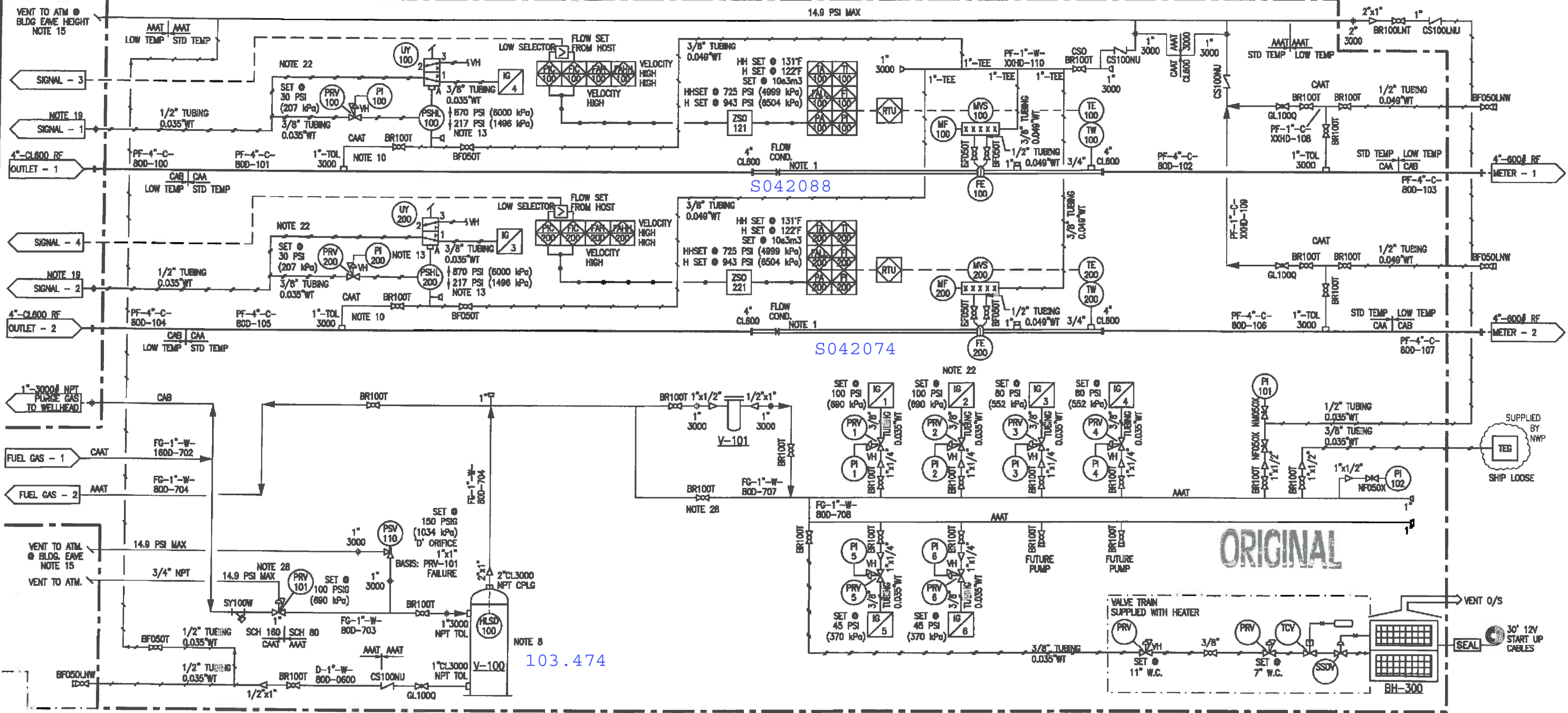
DWR: RMM	CHK: [Signature]	APP: [Signature]
DATE: JAN 7/14	DATE: MAR 05 2014	DATE: MAR 05 2014
SHEET: 1 OF 4	DWG: 08996-001-P-001	REV: 0

B-100
 SELF FRAMER CABLE STYLE
 MFR: METALEX SIZE: 108" W x 108" L c/w 108" EAVE
 WALLS: 3.5" THK c/w R12 INSULATION AND 8mil VAPOUR BARRIER
 DOORS: (1) 72"x84" DOUBLE DOOR c/w HW WINDOW, PANG LOCK, CHECK CHAINS, WEATHER STRIPPING
 WINDOW: (1) 36"x38" SINGLE GLAZE SLIDING c/w SCREEN
 (2) 12"x12" ADJUSTABLE LOUVERS, ICE RAKES, 12" WHIRLEY BIRD

V-101
 FUEL GAS FILTER
 MFR: HEADLINE
 MODEL NO.: 370A-70
 MAWP: 500 PSIG
 1/2" NPT

V-100
 FUEL GAS SCRUBBER
 MFR: LOTECH
 SIZE: 10.75" O.D. x 32" CAL
 MAWP: 300 PSIG (2068 kPa) @ 850F
 MDMT: -20F @ 300 PSIG
 CA: 1/8"
 CRN NO.: DH08036.2134

BH-300
 BUILDING HEATER
 MFR: CATADYNE
 24"x24" NATURAL GAS
 12 VDC c/w SAFETY SHUTOFF 912 REGULATOR,
 30' START UP CABLES, MAXITROL REGULATOR,
 THERMOSTATS, VENT HOOD GRILL, FISHER
 SIDE MOUNT



AS BUILT

ISSUED FOR CONSTRUCTION



ENCANA CORPORATION
 LINEHEATER AND METERING PACKAGE
 SWEET SERVICE
 3.5 MMBTU/HR 72" O.D. x 338" S/S
 (2) 4" 600# JR METER RUNS
 PIPING AND INSTRUMENTATION DIAGRAM

REV	DATE	BY	CHK	APP	DESCRIPTION
0	FEB 08/14	CT			ISSUED FOR CONSTRUCTION
A	JAN 7/14	RMM			ISSUED FOR APPROVAL

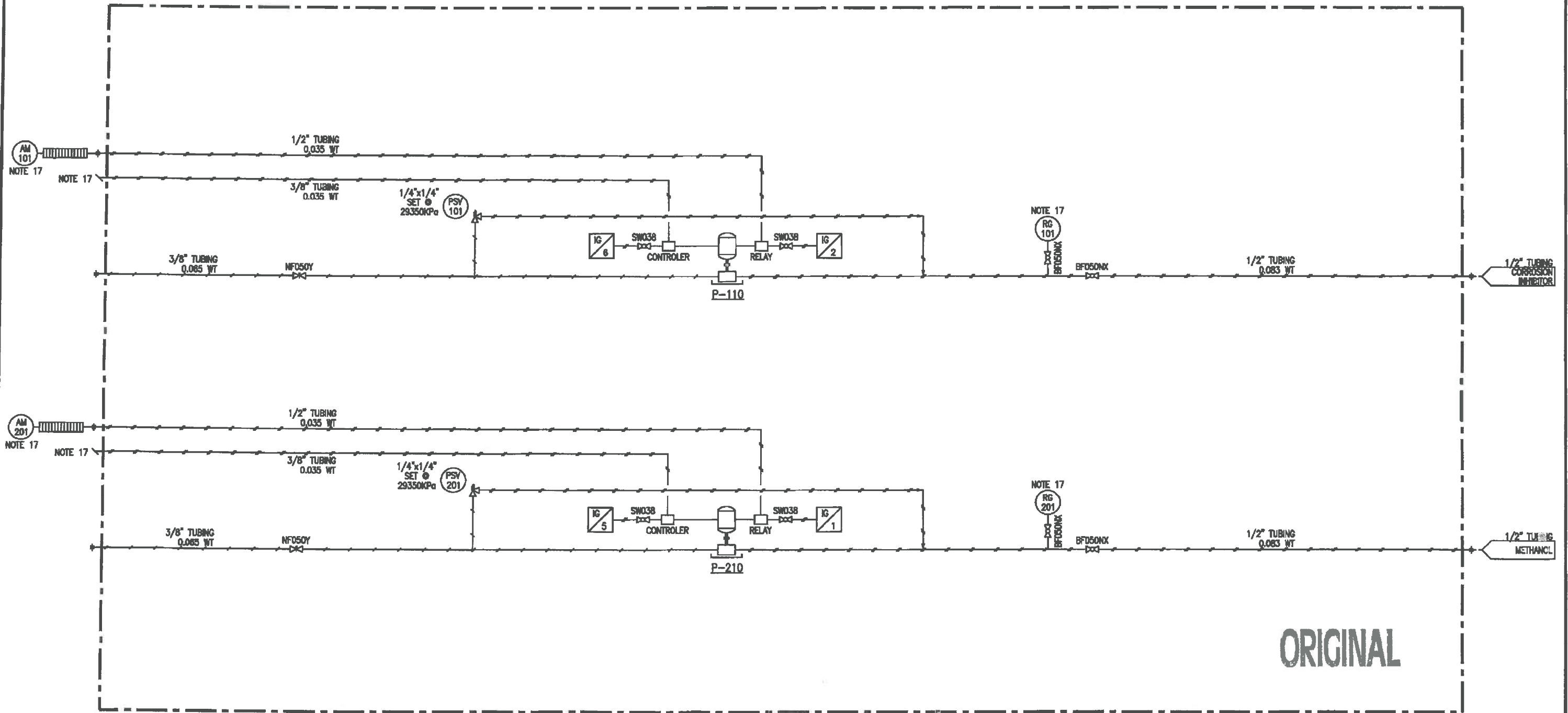
SIGNED: *[Signature]*
 DATE: Mar 19, 2014
 W.O.: 08996-006
 S/N: NWP-08996-006

P.O. BOX 6280, INNISFAIR, AB T4G 1S9
 PH: (403) 227-4100 FAX: (403) 227-4102
 SCALE: N.T.S.
 WEIGHT: APPROX 1500 LBS

DWN: RMM CHK: [Signature] APP: [Signature]
 DATE: JAN 7/14 DATE: MAR 05 2014 DATE: MAR 05 2014
 SHEET: 2 OF 4 DWG: 08996-001-P-001 REV: 0

P-110
CORROSION INHIBITOR PUMP
MFR: WILLIAMS
MODEL NO.: CRP500V400CRTC
c/w 1/2" PLUNGER
MAX. DISCHARGE 9200 PSI (63431 kPa)

P-210
METHANOL PUMP
MFR: WILLIAMS
MODEL NO.: CRP500V400CRTC
c/w 1/2" PLUNGER
MAX. DISCHARGE 9200 PSI (63431 kPa)



ORIGINAL

R-100 BUILDING LIMIT

AS BUILT

ISSUED FOR CONSTRUCTION



ENCANA CORPORATION
LINEHEATER AND METERING PACKAGE
SWEET SERVICE
3.5 MMBTU/HR 72" O.D. x 336" S/S
(2) 4" 600# JR METER RUNS
PIPING AND INSTRUMENTATION DIAGRAM

REV	DATE	BY	CHK	APP	DESCRIPTION
0	FEB 08/14	CT	R	AS	ISSUED FOR CONSTRUCTION
A	JAN 7/14	RMM	.	.	ISSUED FOR APPROVAL

SIGNED: *[Signature]*
DATE: Mar 19, 2014
W.O.: 08996-006
S/N: NWP-08996-006

P.O. BOX 8280, INNISFAIR, AB T4G 1S9
PH: (403) 227-4100 FAX: (403) 227-4102

DWN: RMM	CHK: <i>[Signature]</i>	APP: <i>[Signature]</i>
DATE: JAN 7/14	DATE: MAR 05 2014	DATE: MAR 05 2014
SHEET: 3 OF 4	DWG: 08996-001-P-001	REV: 0

LINETYPE LEGEND

Table with 2 columns: Linetype description (e.g., MAJOR PROCESS LINE, UTILITY LINE) and corresponding line style.

INSULATION LEGEND

Table with 2 columns: Insulation type (e.g., 2.5" PP, 3" C) and description (e.g., THICKNESS, C=COLD).

VALVE SYMBOL LEGEND

Table with 3 columns: Valve symbol, Valve name (e.g., BALL VALVE, GLOBE VALVE), and Valve description.

VALVE CONNECTION LEGEND

Table with 3 columns: Valve connection symbol, Valve name (e.g., THRD VALVE, SW VALVE), and Valve description.

TOPWORKS SYMBOL LEGEND

Table with 3 columns: Topworks symbol, Topworks name (e.g., DIAPHRAGM ACTUATOR, SOLENOID), and Topworks description.

METERING

Table with 3 columns: Metering symbol, Metering name (e.g., METER RUN, ORIFICE METER), and Metering description.

MISC TAG SYMBOL LEGEND

Table with 3 columns: Misc tag symbol, Misc tag name (e.g., INSTR. GAS TO AND FROM), and Misc tag description.

MISC SYMBOLS LEGEND

Table with 3 columns: Misc symbol, Misc name (e.g., FLANGE / BLIND FLANGE, CONNECTION INDICATOR), and Misc description.

NOTES

- List of 28 notes regarding piping, instrumentation, and construction requirements.

ORIGINAL

VALVE TAGGING

Table detailing valve tagging conventions, including symbols like XX XXX XX and descriptions for various valve types.

INSTRUMENTATION SYMBOLS AND IDENTIFICATION

Large table mapping letters to instrument types, including columns for Letter, First Letter, Primary Element, Recorder, Indicator, Controller, Transmitter, Control, and others.

ABBREVIATIONS

Table listing various abbreviations used in the drawing, such as A/G, APP, AS, ASSY, etc., with their corresponding full names.

LINE TAGGING

Table detailing line tagging conventions, including symbols like XX-X'-X-XXXX-XXX and descriptions for different line types.

TAG LEGEND

Table showing tag legend symbols for different categories like Discrete, Shared Display, Computer Function, and Programmable Logic Control.

AS BUILT

ISSUED FOR CONSTRUCTION

SIGNED: [Signature] DATE: Mar 19, 2014

w.o.: 08996-006 s/n: NWP-08996-006



P.O. BOX 8280, INNISFAIR, AB T4G 1S9 PH: (403) 227-4100 FAX: (403) 227-4102

ENCANA CORPORATION LINEHEATER AND METERING PACKAGE SWEET SERVICE 3.5 MMBTU/HR 72"O.D. x 336" S/S (2) 4" 600# JR METER RUNS PIPING AND INSTRUMENTATION DIAGRAM LEGEND

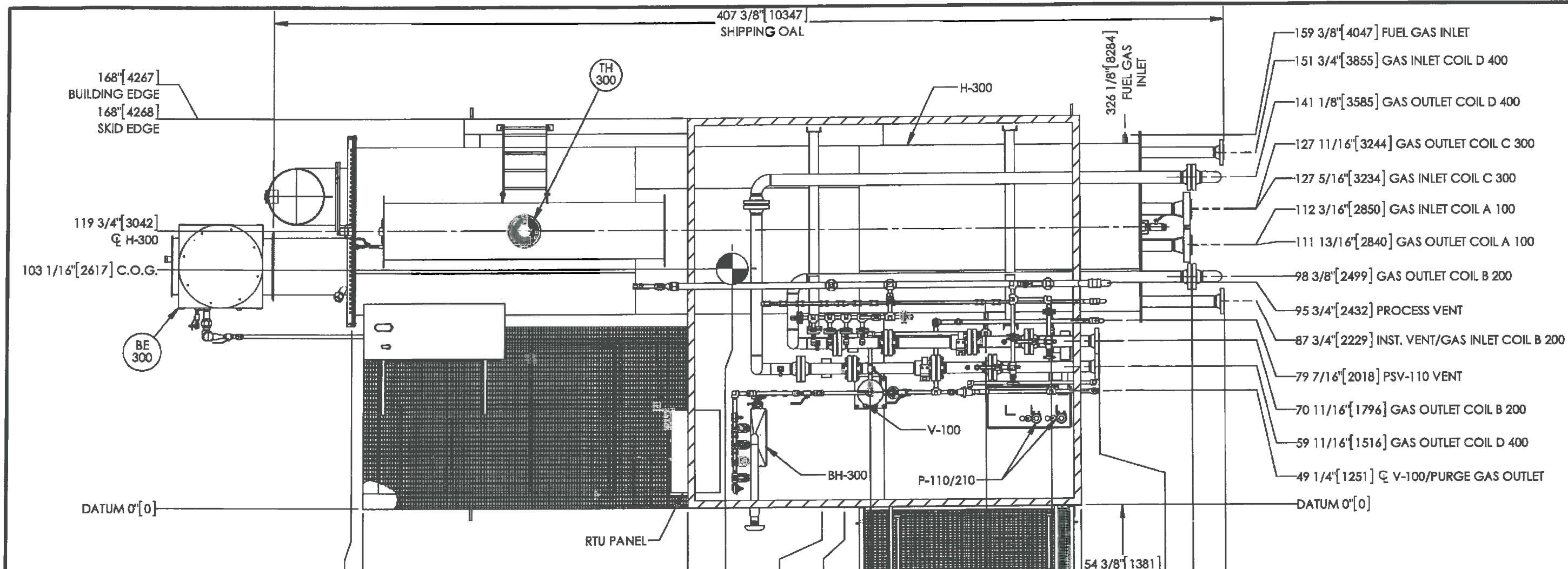
Table with columns: DWG, RMM, GHR, APP, DATE, and values like JAN 7/14, MAR 05 2014, MAR 05 2014.

Table with columns: SHEET, DWG, and values like 4 OF 4, 08996-001-P-001, 0.

Table with columns: REV, DATE, BY, CHK, APP, DESCRIPTION, and values like 0 FEB 08/14, 1 JAN 7/14, ISSUED FOR CONSTRUCTION, ISSUED FOR APPROVAL.

DRAWING REVISIONS

ALL DIMENSIONS IN INCHES



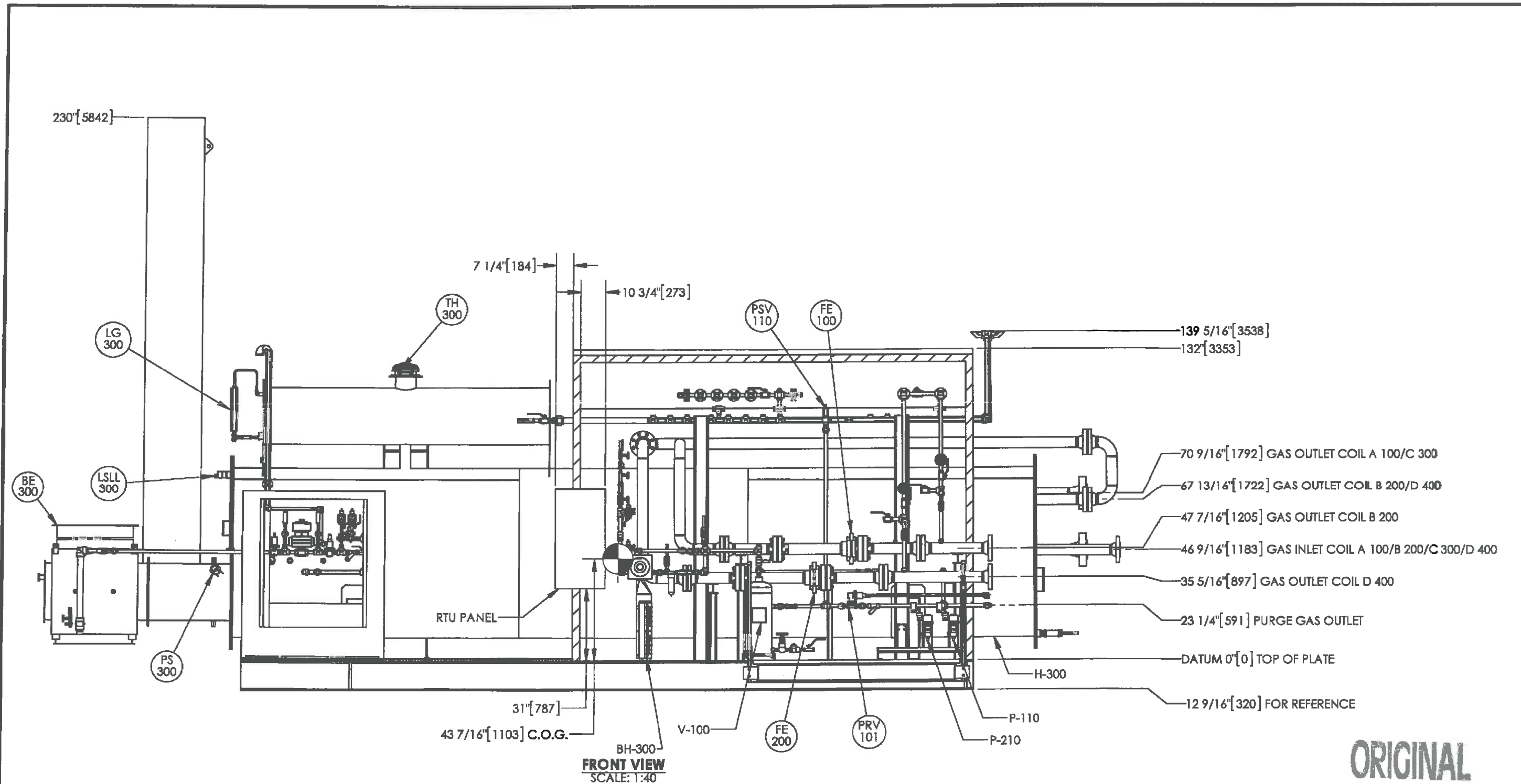
SHIPPING DATA	
OVERALL HEIGHT	12' - 7 7/8"
OVERALL LENGTH	33' - 11 3/8"
OVERALL WIDTH	15' - 4 1/8"
APPROX. WEIGHT	45,000 LBS

LINEHEATER DESIGN DATA	
HEAT MEDIUM REQUIREMENT:	APPROX. 558 cu.ft.
PAINT: SEE NOTE 6	INSULATED - (1) COAT CLOVERDALE 835 SERIES DTM UNINSULATED - (2) COATS CLOVERDALE 835 SERIES DTM POLYURETHANE ENAMEL, 16555 TAUPE STACK - HIGH HEAT ALUMINUM
SURFACE PREPARATION:	SSPC-SP6-63 (COMMERCIAL BLAST)
INSULATION:	1 1/2" MICROFLEX w/ 0.020 STUCCO EMBOSSED ALUMINUM TACKER c/w SS BANDING

- NOTES**
1. ADDITIONAL PIPE SUPPORTS AS REQUIRED.
 2. ALL PNEUMATIC VALVES AND INSTRUMENTS TO BE FUNCTION TESTED TO 165 PSI.
 3. SHIP LOOSE ITEMS TO BE LISTED, BOXED AND SEALED PRIOR TO SHIPMENT. ID#'S TO BE CLEARLY MARKED ON ALL SHIP LOOSE ITEMS NOT IN CRATE.
 4. PLUG ALL OUTLETS PRIOR TO SHIPMENT.
 5. STACK, PLATFORM, AND BURNER TO BE SHIPPED LOOSE.
 6. PLATFORM - GLOSS BLACK. LINEHEATER, SKID AND PIPING - 16555 TAUPE

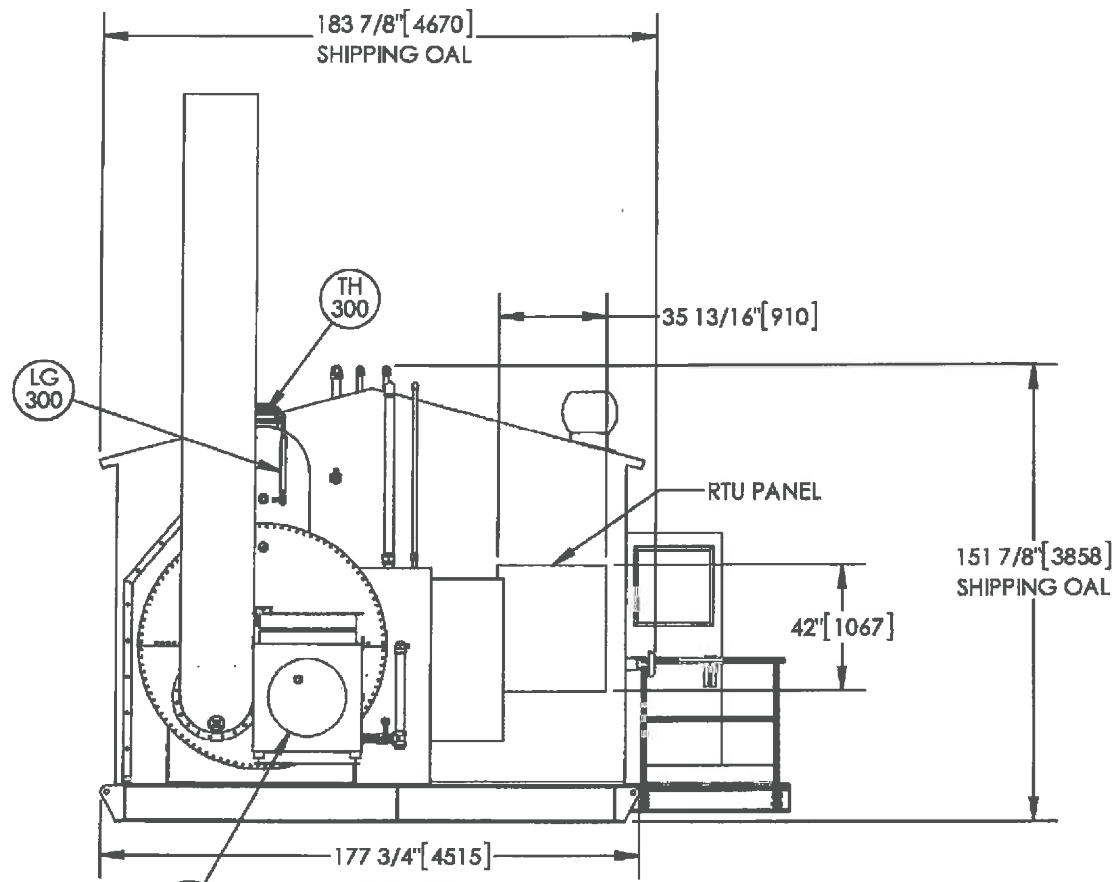
CUSTOMER PO#	50563
NWP JOB #	LSD
08996-001	
08996-002	
08996-003	
08996-004	
08996-005	
08996-006	
08996-007	
08996-008	

AS BUILT				ISSUED FOR CONSTRUCTION				NWP INDUSTRIES SWEET LINEHEATER AND METERING PACKAGE 3.5 MMBTU/HR 72" OD x 28' LG BATH (2) 4" 600 ANSI RF JR METER RUNS GENERAL ARRANGEMENT	
				SIGNED: <i>[Signature]</i>		P.O. BOX 6280, INNISFAIL, AB T4G 1S9 PH: (403) 227-4100 FAX: (403) 227-4102		DWN: RMM CHK: <i>[Signature]</i> APP: <i>[Signature]</i>	
				DATE: Mar 19, 2014		PROJECTION:		DATE: JAN 8/14 DATE: MAR 05 2014 DATE: MAR 05 2014	
				W.O.: 08996-006		SCALE: AS NOTED		SHEET: 1 OF 3	
				S/N: NWP-08996-006		WEIGHT: APPROX 45000 LBS		DWG: 08996-001-G-001	
REV. DATE BY: CHK: APP:				DESCRIPTION		ALL DIMENSIONS IN INCHES		REV: 0	
0 FEB 11/14 RMM <i>[Signature]</i> <i>[Signature]</i>				ISSUED FOR CONSTRUCTION					
				DRAWING REVISIONS					



ORIGINAL

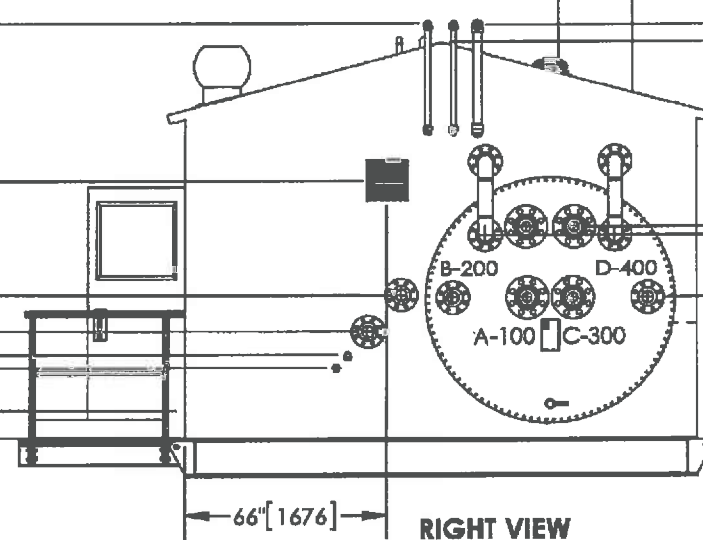
AS BUILT				ISSUED FOR CONSTRUCTION		NWP INDUSTRIES INC. Total oilfield supply.		NWP INDUSTRIES SWEET LINEHEATER AND METERING PACKAGE 3.5 MMBTU/HR 72" OD x 28' LG BATH (2) 4" 600 ANSI RF JR METER RUNS GENERAL ARRANGEMENT					
				SIGNED: <i>[Signature]</i>		P.O. BOX 6280, INNISFAIL, AB T4G 1S9 PH: (403) 227-4100 FAX: (403) 227-4102		DWN: RMM		CHK: <i>[Signature]</i>		APP: <i>[Signature]</i>	
				DATE: Mar 19, 2014				DATE: JAN 8/14		DATE: MAR 05 2014		DATE: MAR 05 2014	
				W.O.: 08996-006		S/N: NWP-08996-006		PROJECTION:		SCALE: AS NOTED		SHEET: 2 OF 3	
				DRAWING REVISIONS				WEIGHT: 45000 LBS		DWG: 08996-001-G-001		REV: 0	
ALL DIMENSIONS IN INCHES													



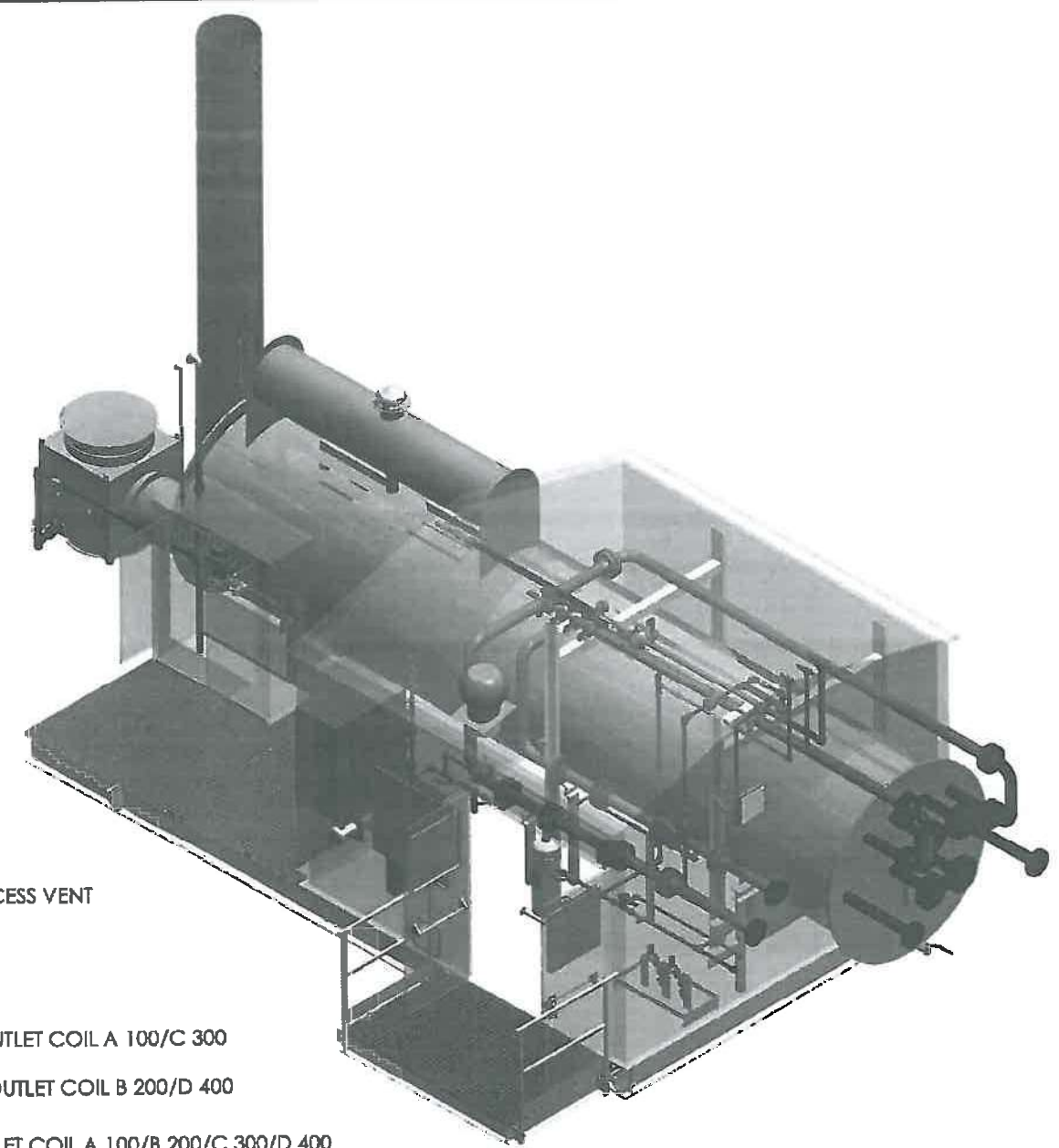
LEFT VIEW
SCALE: 1:60

138 3/16" [3511] INSTRUMENT VENT/PSV-110

- 86" [2184] HIGH LOUVER ϕ
- 47 7/16" [1205] GAS OUT COIL B 200
- 35 5/16" [897] GAS OUT COIL D 400
- 27 5/8" [702] PRV-101 VENT
- 23 1/4" [591] PURGE GAS OUTLET
- 9" [229] LOW LOUVER ϕ
- DATUM 0" [0] TOP OF PLATE



RIGHT VIEW
SCALE: 1:60



ISOMETRIC VIEW
SCALE: 1:60

ORIGINAL

AS BUILT					ISSUED FOR CONSTRUCTION		NWP INDUSTRIES INC. Total oilfield supply.		NWP INDUSTRIES SWEET LINEHEATER AND METERING PACKAGE 3.5 MMBTU/HR 72" OD x 28' LG BATH (2) 4" 600 ANSI RF JR METER RUNS GENERAL ARRANGEMENT															
					SIGNED: <i>[Signature]</i>		P.O. BOX 6280, INNISFAIL, AB T4G 1S9 PH: (403) 227-4100 FAX: (403) 227-4102		DWG: RMM		CHK: <i>[Signature]</i>		APP: <i>[Signature]</i>											
					DATE: Mar 19, 2014				DATE: JAN 8/14		DATE: MAR 05 2014		DATE: MAR 05 2014											
					W.O.: 08996-006		PROJECTION:		SCALE: AS NOTED		SHEET: 3 OF 3		DWG: 08996-001-G-001											
					S/N: NWP-08996-006				WEIGHT: 45000 LBS (APPROX LBS)				REV: 0											
<table border="1"> <thead> <tr> <th>REV.</th> <th>DATE</th> <th>BY:</th> <th>CHK:</th> <th>APP:</th> <th>DESCRIPTION</th> </tr> </thead> <tbody> <tr> <td>0</td> <td>FEB 11/14</td> <td>RMM</td> <td><i>[Signature]</i></td> <td><i>[Signature]</i></td> <td>ISSUED FOR CONSTRUCTION</td> </tr> </tbody> </table>					REV.	DATE	BY:	CHK:	APP:	DESCRIPTION	0	FEB 11/14	RMM	<i>[Signature]</i>	<i>[Signature]</i>	ISSUED FOR CONSTRUCTION	ALL DIMENSIONS IN INCHES							
REV.	DATE	BY:	CHK:	APP:	DESCRIPTION																			
0	FEB 11/14	RMM	<i>[Signature]</i>	<i>[Signature]</i>	ISSUED FOR CONSTRUCTION																			

COPYRIGHT © 2012 NWP THIS DRAWING IS PROPERTY OF NWP INDUSTRIES INC. AND MAY NOT BE REPRODUCED WITHOUT PERMISSION. THIS DRAWING MUST BE RETURNED UPON REQUEST.