

ENCANA PO#	ENCANA PO#
46522	46522
NWP JOB#	LSJ
08925-001	12-10-79-17W6
08925-002	12-10-79-17W6
08925-003	04-02-80-17W6
08925-004	04-02-80-17W6
08925-005	04-02-80-17W6

ENCANA PO#	ENCANA PO#
46522	46522
NWP JOB#	LSJ
08925-001	12-10-79-17W6
08925-002	12-10-79-17W6
08925-003	04-02-80-17W6
08925-004	04-02-80-17W6
08925-005	04-02-80-17W6

NWPI
INDUSTRIES INC.
Total oilfield supply.
P.O. BOX 6280, INNSFAL, AB T4G 1B8
PH: (403) 227-4100 FAX: (403) 227-4102

ISSUED FOR CONSTRUCTION
SIGNED: *[Signature]*
DATE: **JAN 16 2014**
W.D.: **9225-004**
S/N: *NWP-08925-004*

REV	DATE	BY	CHK	APP	DESCRIPTION
2	DEC 20/13	CT			CHANGES AS NOTED
1	NOV 27/13	CT			CHANGES AS NOTED
0	OCT 28/13	CT			ISSUED FOR CONSTRUCTION
A	SEP 27/13	CT			ISSUED FOR APPROVAL

ENCANA PO#	ENCANA PO#
46522	46522
NWP JOB#	LSJ
08925-001	12-10-79-17W6
08925-002	12-10-79-17W6
08925-003	04-02-80-17W6
08925-004	04-02-80-17W6
08925-005	04-02-80-17W6

ENCANA CORPORATION
LINEHEATER AND METERING PACKAGE
SWEET SERVICE
3.5 MMBTU/HR 72"O.D. x 336" S/S
(2) 4"-600# JR METER RUNS
PIPING AND INSTRUMENTATION DIAGRAM

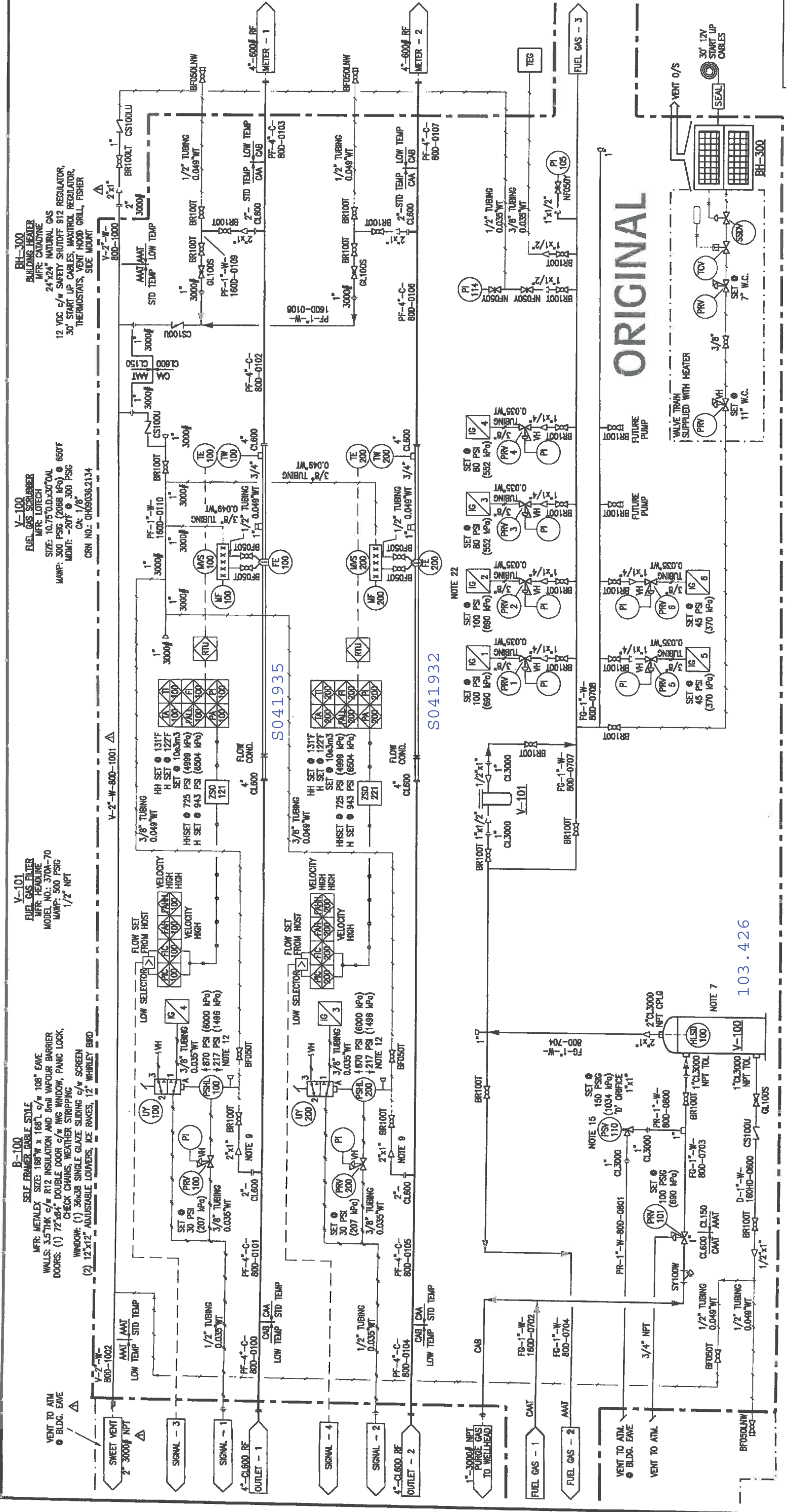
DATE: SEPT 27/13 DATE: DEC 20 2013 DATE: DEC 20 2013
SHEET: 1 OF 4 DWG: 08925-001-P-001 REV: 2

SCALE: N.T.S.
WEIGHT: POUNDS

ALL DIMENSIONS IN INCHES

DRAWING REVISIONS MUST BE RETURNED UPON REQUEST.

COPYRIGHT © NWP 2012 THIS DRAWING IS PROPERTY OF NWP INDUSTRIES INC. AND MAY NOT BE REPRODUCED WITHOUT PERMISSION.



B-100
 SELF-EMERGENCY GABLE STYLE
 MFR: METALOX SIZE: 168"W x 168"H c/w 108" EAVE
 WALLS: 3.575"K c/w R12 INSULATION AND 8mm VAPOUR BARRIER
 DOORS: (1) 72"x84" DOUBLE DOOR c/w RING WINDOW, PANIC LOCK, CHECK CHAINS, WEATHER STRIPPING
 WINDOW: (1) 36"x38" SINGLE GLAZE SLIDING c/w SCREEN
 (2) 12"x12" ADJUSTABLE LOWERS, ICE RACKS, 12" WHIRLEY BRD

V-100
 FUEL GAS SCRUBBER
 MFR: LOTECH
 SIZE: 10.75"O.D. x 30"OAL
 MAMP: 300 PSIG (2068 kPa) @ 650°F
 MDMT: -20°F @ 300 PSIG
 CA: 1/8"
 CRN NO.: 0469036.2134

BH-300
 BUILDING HEADER
 MFR: CAROTINE
 24"x24" NATURAL GAS
 12 VDC c/w SAFETY SHUTOFF 912 REGULATOR,
 30' START UP CABLES, MAXITROL REGULATOR,
 THERMOSTATS, VENT HOOD GRILL, FISHER
 SIDE MOUNT

AS BUILT

REV	DATE	BY	CHK	APP	DESCRIPTION
2	DEC 20/13	CT			CHANGES AS NOTED
1	NOV 27/13	CT			CHANGES AS NOTED
0	OCT 28/13	CT			ISSUED FOR CONSTRUCTION
A	SEP 27/13	CT			ISSUED FOR APPROVAL

ISSUED FOR CONSTRUCTION

SIGNED: *[Signature]*
 DATE: **JAN 5 6 2014**
 W.O.: **925-004**
 S/N: **NWP-0895-004**

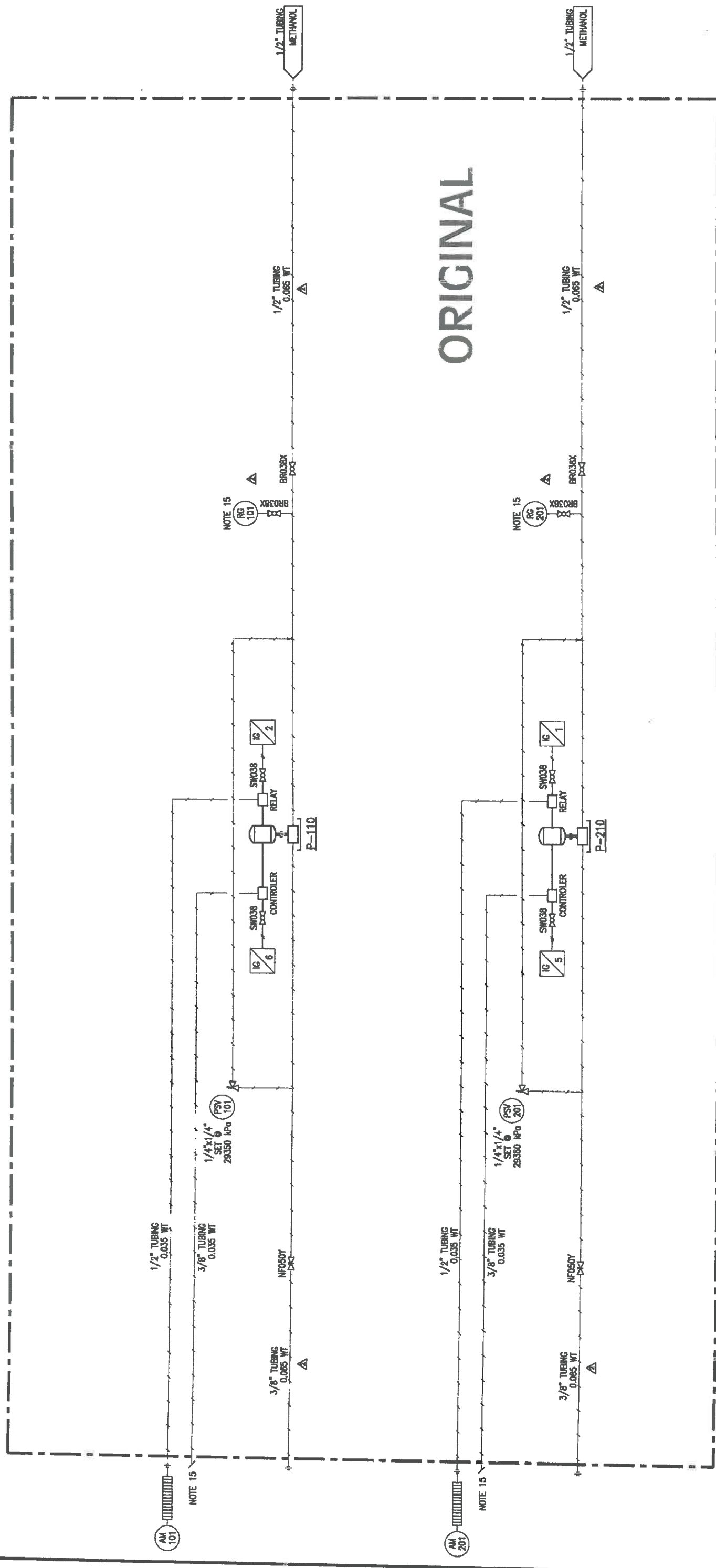
ENCANA CORPORATION
 LINEHEATER AND METERING PACKAGE
 SWEET SERVICE
 3.5 MMBTU/HR 72"O.D. x 336" S/S
 (2) 4"-600# JR METER RUNS
 PIPING AND INSTRUMENTATION DIAGRAM

DRAWN: CT	CHK: <i>[Signature]</i>	APP: <i>[Signature]</i>
DATE: SEPT 27/13	DATE: DEC 7 2013	DATE: DEC 20 2013
SHEET: 2 OF 4	DWG: 08925-001-P-001	REV: 2
SCALE: N.T.S.	WEIGHT: (Pounds)	

COPYRIGHT © NWP 2012 THIS DRAWING IS PROPERTY OF NWP INDUSTRIES INC. AND MAY NOT BE REPRODUCED WITHOUT PERMISSION. THIS DRAWING MUST BE RETURNED UPON REQUEST.

P-110
CORROSION INHIBITOR PUMP
HFE WILLIAMS
MODEL NO.: CRP500V400CRTC
c/w 1/2" PLUNGER
MAX. DISCHARGE 9200 PSI (63431 kPa)

P-210
METHANOL PUMP
HFE WILLIAMS
MODEL NO.: CRP500V400CRTC
c/w 1/2" PLUNGER
MAX. DISCHARGE 9200 PSI (63431 kPa)



B-100 BUILDING LIMIT

AS BUILT

ISSUED FOR CONSTRUCTION

SIGNED: *[Signature]*
DATE: **JAN 6 2014**
W. **8925-004**
S/N: **NWP-08925-004**

REV	DATE	BY	CHK	APP	DESCRIPTION
2	DEC 20/13	CT	<i>[Signature]</i>		CHANGES AS NOTED
1	NOV 27/13	CT			CHANGES AS NOTED
0	OCT 28/13	CT			ISSUED FOR CONSTRUCTION
A	SEP 27/13	CT			ISSUED FOR APPROVAL

DRAWING REVISIONS

COPYRIGHT © NWP 2012 THIS DRAWING IS PROPERTY OF NWP INDUSTRIES INC. AND MAY NOT BE REPRODUCED WITHOUT PERMISSION. THIS DRAWING MUST BE RETURNED UPON REQUEST.

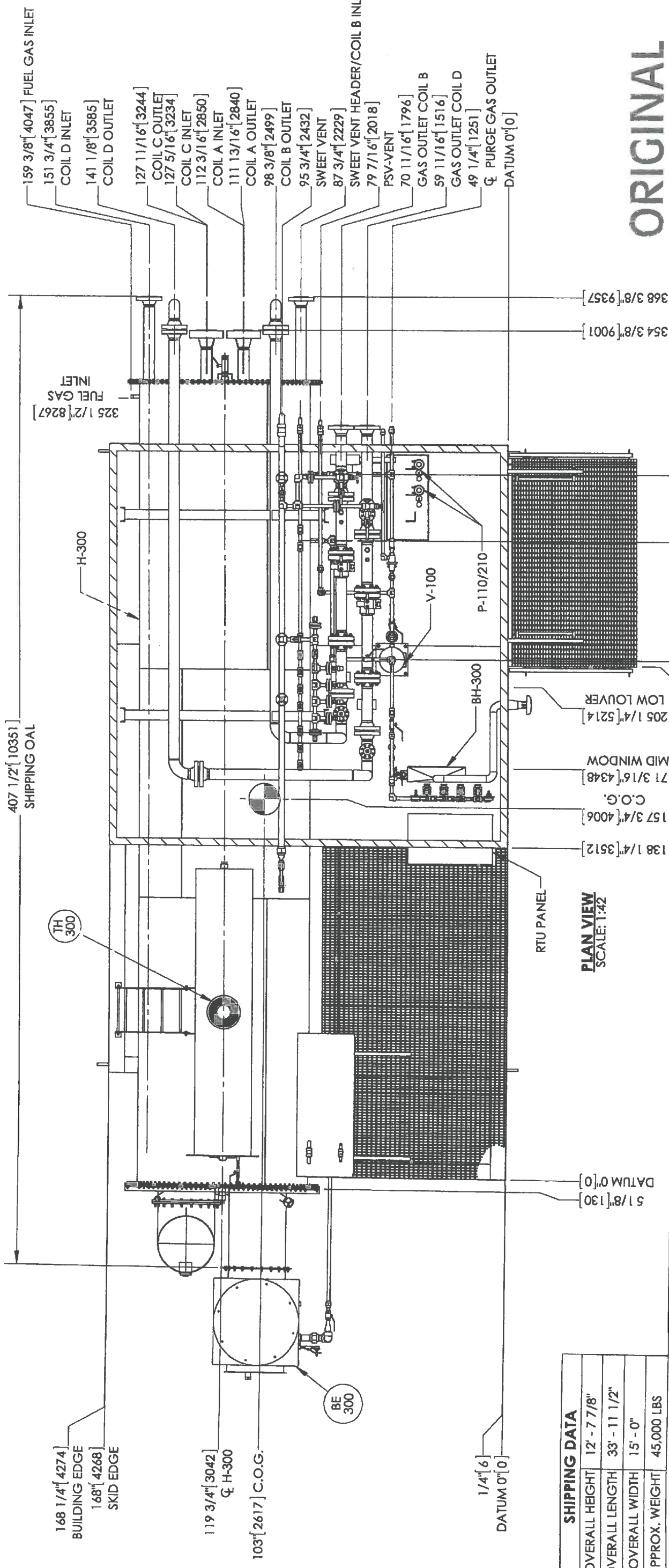


Total oilfield supply.
P.O. BOX 6280, INNISFAIR, AB T4G 1S9
PH: (403) 227-4100 FAX: (403) 227-4102

ENCANA CORPORATION
LINEHEATER AND METERING PACKAGE
SWEET SERVICE
3.5 MMBTUHR 72"O.D. x 338" SIS
(2) 4"-600# JR METER RUNS
PIPING AND INSTRUMENTATION DIAGRAM

DWG: CT
CHK: *[Signature]*
APP: *[Signature]*
DATE: SEPT 27/13
DATE: DEC 20 2013
SHEET: 3 OF 4
DWG: 08925-001-P-001
REV: 2

SCALE: N.T.S.
WEIGHT: (PAPER)



407 1/2" [10351] SHIPPING OAL

168 1/4" [4274] BUILDING EDGE

168" [4268] SKID EDGE

119 3/4" [3042] ϕ H-300

103" [2617] C.O.G.

138 1/4" [3512]

157 3/4" [4006] C.O.G.

171 3/16" [4348] MID WINDOW

205 1/4" [5214] LOW LOUVER

214 1/4" [5442]

216 5/8" [5503] ϕ V-100

266 1/8" [6759] FG TO BE-300

293 15/16" [7467] FG FROM FG INLET

354 3/8" [9001]

368 3/8" [9357]

1 1/4" [6] DATUM 0" [0]

5 1/8" [130] DATUM 0" [0]

SHIPPING DATA	
OVERALL HEIGHT	12' - 7 7/8"
OVERALL LENGTH	33' - 11 1/2"
OVERALL WIDTH	15' - 0"
APPROX. WEIGHT	45,000 LBS

LINEHEATER DESIGN DATA	
HEAT MEDIUM REQUIREMENT:	APPROX. 558 cu.ft.
PAINT:	INSULATED - (1) COAT CLOVERDALE CLOVACOAT UNINSULATED - (2) COATS CLOVERDALE CLOVACOAT 300 EPOXY ENAMEL, 16555 TAUPE
SURFACE PREPARATION:	STACK - HIGH HEAT ALUMINUM SSPC-SP7-63 (BRUSH BLAST)
INSULATION:	1 1/2" MICROFLEX w/ 0.020 STUCCO EMBOSSED ALUMINUM TACKER c/w SS BANDING

- NOTES**
1. ADDITIONAL PIPE SUPPORTS AS REQUIRED.
 2. ALL PNEUMATIC VALVES AND INSTRUMENTS TO BE FUNCTIONED TESTED TO 165 PSI.
 3. SHIP LOOSE ITEMS TO BE LISTED, BOXED AND SEALED PRIOR TO SHIPMENT. ID#'S TO BE CLEARLY MARKED ON ALL SHIP LOOSE ITEMS NOT IN CRATE.
 4. PLUG ALL OUTLETS PRIOR TO SHIPMENT.
 5. STACK, PLATFORM, AND BURNER TO BE SHIPPED LOOSE.
 6. PLATFORM - GLOSS BLACK. LINEHEATER, SKID AND PIPING - 16555 TAUPE

PLAN VIEW
SCALE: 1:42

ORIGINAL

ENCANA PO#	46522
NWP JOB #	LSJ
08925-001	
08925-002	
08925-003	
08925-004	
08925-005	

ENCANA CORPORATION	
SWEET LINEHEATER AND METERING PACKAGE 3.5 MMBTU/HR 72" OD X 28' LG BATH (2) 4" 600 ANSI RF-JR METER RUNS	
GENERAL ARRANGEMENT	
DWN: RMM	CHK: S
DATE: OCT 08/13	DATE: DEC 13 2013
SHEET: 1 OF 3	DWG: 08925-001-G-001
REV: 0	

NWP INDUSTRIES INC.
Total oilfield supply.

P.O. BOX 6280, INNISFAIL, AB T4G 1S9
PH: (403) 227-4100 FAX: (403) 227-4102

PROJECTION: AS NOTED
SCALE: AS NOTED
WEIGHT: 45000 LBS (APPROX.)

ISSUED FOR CONSTRUCTION

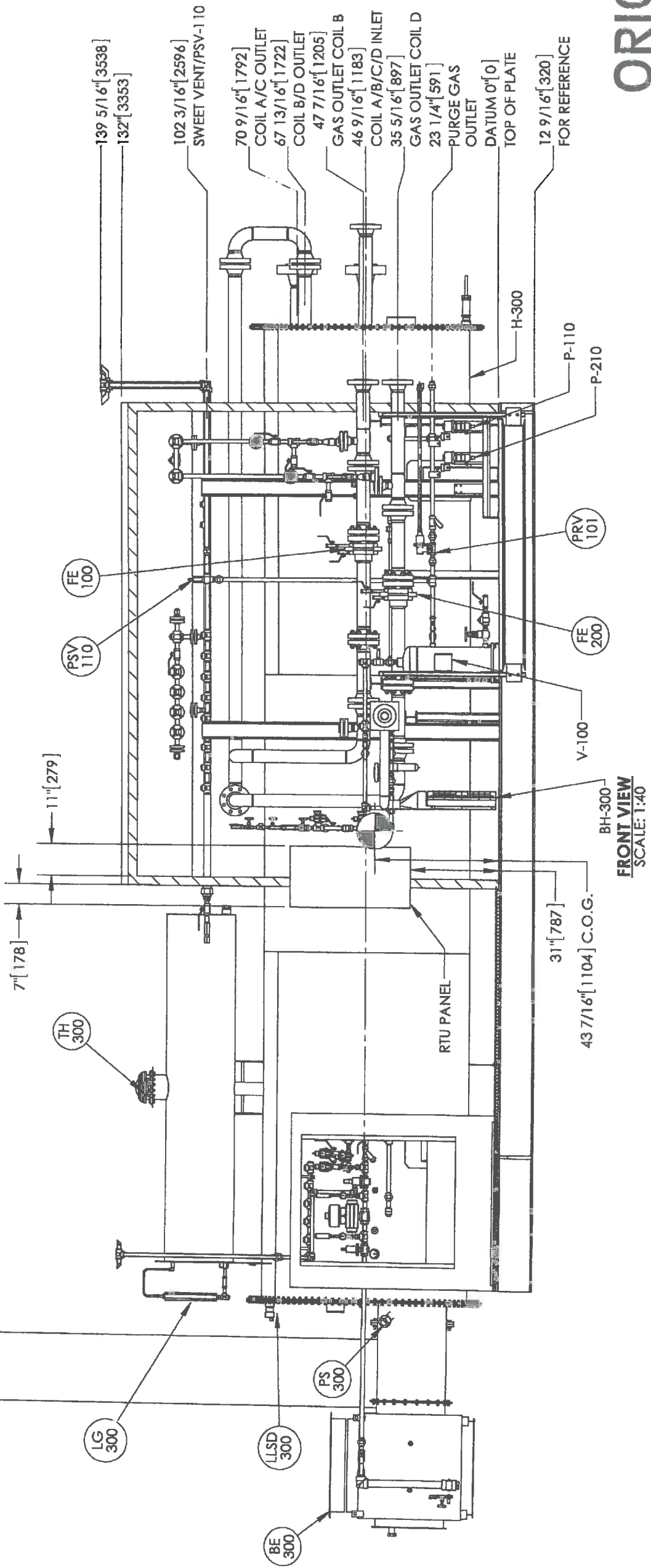
SIGNED: *[Signature]*
DATE: **JAN 16 2014**

NO.: **8925-004**
SIN: *NWP-08925-004*

ALL DIMENSIONS IN INCHES

REV.	DATE	BY:	CHK:	APP:	DESCRIPTION
0	OCT 30/13	RMM	S		ISSUED FOR CONSTRUCTION
A	OCT 08/13	RMM			ISSUED FOR APPROVAL

230" [5842]



FRONT VIEW
SCALE: 1:40

ORIGINAL



INDUSTRIES INC.
Total oilfield supply.

P.O. BOX 6280, INNISFAIL, AB T4G 1S9
PH: (403) 227-4100 FAX: (403) 227-4102

PROJECTION: SCALE: AS NOTED
WEIGHT: 45000 LBS
(EST.)

ISSUED FOR CONSTRUCTION

SIGNED:
DATE: **JAN 16 2014**
W.O.: **8925-004**
S.N.: **NWP-08925-004**
ALL DIMENSIONS IN INCHES

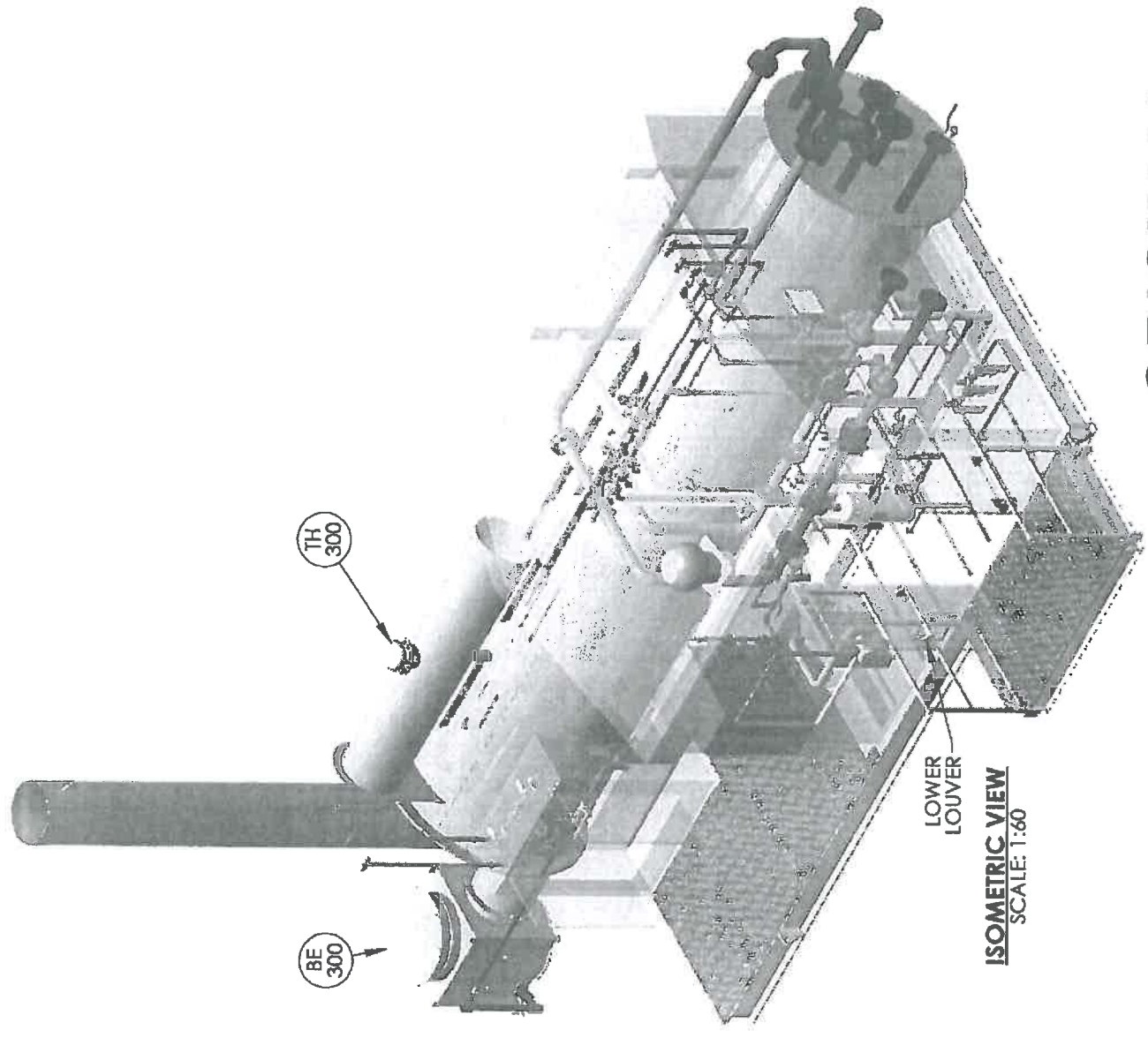
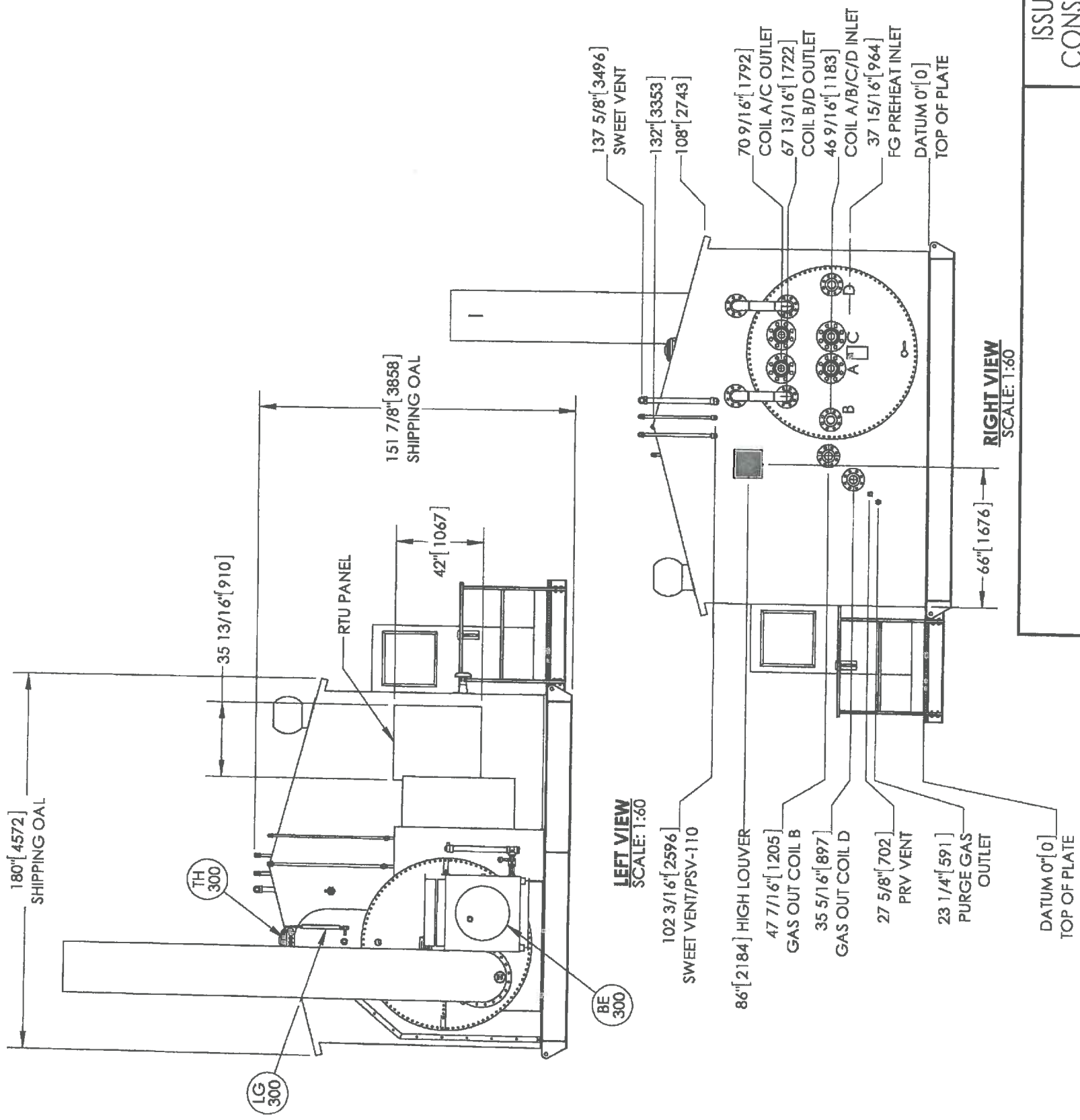
REV.	DATE	BY:	CHK:	APP:	DESCRIPTION
0	OCT 30/13	RMM			ISSUED FOR CONSTRUCTION
A	OCT 08/13	RMM			ISSUED FOR APPROVAL

DRAWING REVISIONS
THIS DRAWING IS PROPERTY OF NWP INDUSTRIES INC. AND MAY NOT BE REPRODUCED WITHOUT PERMISSION. THIS DRAWING MUST BE RETURNED UPON REQUEST.

ENCANA CORPORATION
SWEET LINEHEATER AND METERING PACKAGE
3.5 MMBTU/HR 72" OD x 28' LG BATH
(2) 4" 600 ANSI RF JR METER RUNS

GENERAL ARRANGEMENT

DWG:	RMM	CHK:		APP:	
DATE:	OCT 08/13	DATE:	DEC 13 2013	DATE:	DEC 13 2013
SHEET:	2 OF 3	DWG:	08925-001-G-001	REV:	0



ORIGINAL



P.O. BOX 6280, INNISFAIL, AB T4G 1S9
 PH: (403) 227-4100 FAX: (403) 227-4102
 PROJECTION: AS NOTED
 SCALE: AS NOTED
 WEIGHT: 45000 LBS (approx.)

ISSUED FOR CONSTRUCTION
 SIGNED: [Signature]
 DATE: JAN 16 2014
 NO.: 8925-004
 SN: NWP-08925-004
 ALL DIMENSIONS IN INCHES

REV.	DATE	BY:	CHK:	APP:	DESCRIPTION
0	OCT 30/13	RMM	B	[Signature]	ISSUED FOR CONSTRUCTION
A	OCT 08/13	RMM			ISSUED FOR APPROVAL

ENCANA CORPORATION
 SWEET LINEHEATER AND METERING PACKAGE
 3.5 MMBTU/HR 72" OD x 28' LG BATH
 (2) 4" 600 ANSI RF JR METER RUNS
 GENERAL ARRANGEMENT
 DWN: RMM
 CHK: [Signature]
 DATE: OCT 08/13
 DATE: DEC 13 2013
 SHEET: 3 OF 3
 DWG: 08925-001-G-001
 REV: 0