

Issuing Authority: Marvin J. (Ty) DeBelsler



Quality Control

Date of Issue: March 13, 2008

QCFO Final Inspection Release Certificate R00

FINAL INSPECTION RELEASE CERTIFICATE

CUSTOMER: **Encana Oil and Gas**

SALES ORDER#: **200106**

PRODUCT: **1.88 mm btu/hr Lineheater / Integral Wet Meter Combination Pkg (Coil # NWP-1624-01) Unit 22**

WO#: **1786**

DATE: **Jan 31.11**

FINAL INSPECTION DOCUMENTATION

REVIEWED BY:

ACCEPTED:

REJECTED:

STANDARD DOCUMENTATION REQUIREMENTS: (SEE DOCUMENT REQUIREMENT LIST)

ADDITIONAL DOCUMENT REQUIREMENTS: (TO BE RECORDED HERE IF APPLICABLE I.E. DOCUMENT PACKAGE)

REQUIRED BY: (CUSTOMER ETC.)

Q.C. FILE CLOSURE BY: *[Signature]*

DATE: **Feb. 14.11**

LOOSE COMPONENTS REQUIRED / PREPARED

ITEMS REQUIRED:

NO. OF BOXES OR PKGS. **See packing list**

1.88 mm Lineheater Meter Skid Pkg

ADDITIONAL HARDWARE OR FASTENERS REQUIRED

YES NO

PREPARATION FOR SHIPMENT / STORAGE

PREPARATION NEEDED / COMPLETED

Ready to ship

S/N # **NWP-1786-01**

PART # **657538**

INVENTORY TAGS ATTACHED: YES NO

SHIPPING INSTRUCTIONS

CUSTOMER P. REVIEWED: YES NA

CONTACT PERSON AUTHORIZED TO RELEASE PRODUCT:

PHONE: FAX:

RELEASED TO INVENTORY:

DATE:

RELEASED TO CUSTOMER: *[Signature]*

DATE: **Jan 31.11**



Box 6280, 4017-60th Avenue, Innisfail, AB. T4G 1S9 Phone: 403.227.4100 Fax: 403.227.4102
www.nwp.ca

SHIPPING MANIFEST FOR SHIPPED LOOSE ITEMS

Work Order # 1786 Serial Number: SO200106
 Description of Product: 1.88 mm Lineheater Metering skid package
 Completed By: Colleen Tysoe Date: 31/01/11

QTY	UNIT	ITEM DESCRIPTION
	1 EA	TEG
	1 EA	Vent Stack
	1 Crates	Includes:
		4 Batteries ✓
		4 thermowells ✓
		Studs, Bolts, Nuts ✓
		5 gauges- 2@ 10000psi, 2@2000psi, 1@30psi ✓
		Stack nuts and bolts ✓
		3 H2s Brackets
		1 Indicator Light ✓
		Stack gasket
		2 flex gaskets ✓
		2 mufflers for pumps ✓
	Misc	includes:
		Bolt-On Platform and Hand Rails
		Awnings, eavestroughs, 1 tubing line in building
	1 Pallet	2 choke valves
	1 Pallet	9 valves and 4 valve handles

Is a third party release certificate required Yes _____ No _____
 All parts are boxed/on pallets Yes _____ No _____
 There is no visible Damage Yes _____ No _____
 All openings are plugged Yes _____ No _____

Signature by QCI: _____ Date: _____
 Signature by Assembly Worker: _____ Date: _____
 Signature by Warehouse Personnel: _____ Date: _____

ACCEPTANCE / REJECTION REPORT
FACILITIES ENGINEERING DEPARTMENT

Vendor NWP Industries Vendor Rep. (print) Colleen Tysoe Vendor Shop No. N/A

Project Name 1.88 MM BTU Meter/Line Heater Project No. N/A A.F.E. No. N/A P.O. No. CEDDB-38262

Material Description: 1 x 1.88 MM BTU Metering/Line Heater Pkg. - Unit Tag 200106

Status [X] Conditional Acceptance (explain below) [] Rejected (explain below)

Table with 2 columns: Item No., Description. Contains 6 rows of inspection items.

QUALITY INSPECTOR ACKNOWLEDGES:

Signing this release is solely for the purpose of authorizing the supplier to ship the goods in accordance with the order. Such authorization shall not relieve the supplier of its obligations set out in the purchase order, including without limitation the warranty that the goods are free from defects.

SUPPLIER'S CONFORMANCE STATEMENT: We certify that the PO items listed, and the required QC / Shipping documentation meet or will meet the requirements at our costs all applicable Code, Standards, specification and other related documents as set forth in the purchase order document.

The accepted preliminary QC documentation, bill of lading, packing slip, and all related shipping documents must accompany the shipped goods and be added as a line item on the packing list.

Vendor Rep. Signature [Signature] Date Jan 28, 11
Inspectors Signature [Signature] Date Jan 28/11



the pressure equipment safety authority

PRESSURE PIPING CONSTRUCTION AND TEST DATA REPORT
 In accordance with the provisions of the PESR Section 31(1)

Shop Construction ; Field Construction
 Final Data Report ; Partial Data Report (from one ABSA- authorized Contractor to another ABSA- authorized Contractor).

Complete both sides of this Form

1. Constructed By: NWP Industries Inc. Owner's Job No. 50200106
(Name of ABSA authorized primary contractor or subcontractor)
4017 60th Ave, Innisfail AB, T4G-1S2
(Address)

Certificate of Authorization Permit No. AQP-1253 Expiry Date: Nov 24, 2011

2. Constructed For: _____
(Name of primary contractor if different from above)

(Address)

Certificate of Authorization Permit No. AQP-1253 Expiry Date: _____
(Required when the primary contractor undertakes some/all of the quality functions, e.g., NDE, PWHT, Tie-in, fabrication, hydro test, final assembly etc.)

3. Owner: Encana Corp Inc.
(Name and address)
1313 10 Avenue Southwest, Calgary, AB T3C 3P9 (Grande Prairie Yard)
(Location of installation)

Certificate of Authorization Permit No. AQP-1253 Expiry Date: _____
(Required when the owner undertakes some/all of the quality functions, e.g., NDE, PWHT, Tie-in, fabrication, hydro test, final assembly etc.)

4. Piping Design Alberta Registration No.: PP-NA
(Required if aggregate piping volume is over 0.5m³)

5. WP No.: WP-1604.2 ; Company: NWP Industries Owner's WP No. (If used): WP-NA
(Alberta Registration No.) (Alberta Registration No.)
 WPS No(s). used: NWP-1 ; Owner's WPS No(s). (If used): NA
(Alberta Registration No.)

6. Code: ASME B31.1 Non Boiler External Piping ; ASME B31.1 Boiler External Piping
 ASME B31.3 - Service category: Normal , D , M , High Pressure ; B31.5 ; B31.9

Drawing No. Rev. No. Line No.	Fluid (Air/St m. Etc.)	Des. Press. PSI	Des. Temp°F	Pressure Test PSI	Test Medium	Pipe Mat'l Spec. & Grade	C.A.	Pipe NPS & Schedule	Flange Material & Rating	PWHT/ Preheat Temp. °C	R.T. %	Other NDE
657538-1R12												
Fuel Gas Line	Fuel Gas	150	130/-20	165	Air	SA-106B/ SA-105	1/16"	1"Sch. 80 1/4" Sch. 80	N/A	N/A	10% threaded /100%PSV	Visual
Methanol Pump Discharge	Methanol	4786	130/-20	7180	Automatic Transmission Fluid	316 SS	N/A	3/8" 0.065" WT	N/A	N/A	N/A	Visual

Partial Data Reports certified by sub-contractors are listed below and attached to this Data Report

No.	Line No.	Spool No.	Drwg. No. (with Rev. No.)	Sub-contractor (Name)	AQP No. (if from Alberta)	Expiry (if from Alberta)

Remarks: For partial data report provide information about the code work that was not completed by the subcontractor (e.g., hydrotest, PWHT etc.). For final data report provide information about the code work that was not completed by subcontractors and subsequently completed by the primary contractor (e.g., hydrotest of entire assembly, PWHT etc.)

Endorse certificate 'A' or 'B'

A. CERTIFICATE OF COMPLIANCE
Signed by the subcontractor when supplying this certificate as a
Partial Data Report

We certify that the statements in this Data Report are correct and that materials, construction and workmanship of the piping fabrication conform to the registered quality system and the applicable Piping code(s).

Date: _____
Subcontractor

Print Authorized Representative's Name Signature

This certificate is not valid unless it forms part of a Final Data Report signed by Primary Contractor

B. CERTIFICATE OF COMPLIANCE
Signed by the primary contractor when supplying this certificate as a
Final Data Report

We certify that the statements in this Data Report are correct and that piping job no. 200106 described in this Data Report was constructed in accordance with the Province of Alberta Safety Codes Act and Regulations, and applicable ASME Piping Code(s).

Date: Jan 28, 2011 NWP Industries

Primary Contractor
Colleen Tuso
Print Authorized Representative's Name Signature

CERTIFICATE OF INSPECTION

I, the undersigned, employed by Encana Oil & Gas have inspected the piping

job no. 200106 described in this Pressure Piping Construction and Test Data Report and state that, to the best of my knowledge and belief, the Contractor has constructed this piping in accordance with the applicable Sections of the ASME Piping Codes and the Province of Alberta Safety Codes Act and Regulations.

Date: Jan 28, 2011 Date: _____

Kevin Fundytus _____
Print Owner's Inspector's Name Owner's Inspector's Signature

Name: _____ Sign.: _____

ABSA Safety Codes Officer
(BOILER EXTERNAL PIPING ONLY)

Current version of this Form may be obtained from www.abca.ca

Issuing Authority: Marvin J. (Ty)

DeBelser / Dale Karg

Date of Issue: November 30, 2007

Rev Status: 1.0



NWP
INDUSTRIES INC.

ABSA

FORM-NDE-001

N.D.E. Requirements

CLIENT: Encana Corp

W.O.# 1786

PROJECT: Threaded Piping of a 1.88mm LH

DATE: Jan 9.11

PIPING: <input checked="" type="checkbox"/>	PRESSURE VESSEL:	TANK:	OTHER:
<input type="checkbox"/> X-RAY		<input checked="" type="checkbox"/> 100% <u>PSU</u>	<input type="checkbox"/> AS ME SECTION VIII-UW-51
<input checked="" type="checkbox"/> GAMMA RAY		<input type="checkbox"/> FULL	<input type="checkbox"/> AS ME SECTION VIII-UW-52
<input type="checkbox"/> ULTRASONICS		<input type="checkbox"/> 25%	<input type="checkbox"/> AS ME B31.1
<input type="checkbox"/> LIQUID PENETRANT		<input checked="" type="checkbox"/> 10% <u>random</u>	<input type="checkbox"/> AS ME B31.3 NFS
<input type="checkbox"/> MAGNETIC PARTICLE		<input type="checkbox"/> OTHER (DEFINE)	<input checked="" type="checkbox"/> OTHER (SPECIFY) <u>Encana spec</u>
<input type="checkbox"/> ACCOUSTIC EMISSION			

GENERAL INSTRUCTIONS: Vessel s/n 50 200106

P1 Material

Welder ID NA

Shell-T=

Pipe-T= 1" Sch 80

Total Welds 14 shots on threaded piping

Please use wire type iQi

Please note all indications on films on reports

Please include O.F.D - S.O.D S.F.D on reports

RT-65103-004-NF

SPECIAL REQUIREMENTS: P.O#

PREPARED BY:

DATE:

RT- 65103-004-NF

Job No: 6404-66103
Branch: Red Deer
PO NO:
WO No.: 1786
Page: 1 of 1

CLIENT: N.W.P./ENCANA DATE: 11-Jan-11

INVOICE ADDRESS: _____

WORK LOCATION: Initisfall

EXAMINATION STANDARD: ASME TEAM PROCEDURE: RT-ASTM.1 R1

ACCEPTANCE STANDARD: ENCANA SPEC

EXAMINATION OF: SO200108 SO200389 SO200106

Defect Legend: S - Slag LC - Low Cover EP - Excessive Penetration
BT - Burn Through HB - Hollow Based BH - Shrinkage
IP - Incomplete Fusion P - Porosity C - Crack
UC - Undercutting IC - Internal Concavity AB - Arc Burn

Units: inches

Technique: Exposure Viewing
1 - Single Wall 3 - Single Wall (IQI Type: ASTM Wire
2 - Double Wall 4 - Double Wall Film Manufacturer: GE

Type of Energy: Ir-192
Physical Size: 3.0mm
Intensifying Screens: 0.01075, 0.01075
Films per Cassette: 1
Weld Material: P1

Radiograph Identification				Radiograph Geometry						Film Type	IQI Site	Comments	Status
Weld ID	Location	Weld Size	Welder	Technique	Exposures per Weld	Weld Thickness	Base Material Thickness	Reinforce Thickness	Source Object Distance				
XT-1		1.0"	NA	1/4	1	0.178"	0.178"	NA	12"	0.178"	I	NA	Accept
XT-2		1.0"	NA	1/4	1	0.178"	0.178"	NA	12"	0.178"	I	NA	Accept
XT-3		1.0"	NA	1/4	1	0.178"	0.178"	NA	12"	0.178"	I	NA	Accept
XT-4		1.0"	NA	1/4	1	0.178"	0.178"	NA	12"	0.178"	I	NA	Accept
XT-5		1.0"	NA	1/4	1	0.178"	0.178"	NA	12"	0.178"	I	NA	Accept
XT-6		1.0"	NA	1/4	1	0.178"	0.178"	NA	12"	0.178"	I	NA	Accept
XT-7		1.0"	NA	1/4	1	0.178"	0.178"	NA	12"	0.178"	I	NA	Accept
XT-8		1.0"	NA	1/4	1	0.178"	0.178"	NA	12"	0.178"	I	NA	Accept
XT-9		1.0"	NA	1/4	1	0.178"	0.178"	NA	12"	0.178"	I	NA	Accept
XT-10		1.0"	NA	1/4	1	0.178"	0.178"	NA	12"	0.178"	I	NA	Accept
XT-11		1.0"	NA	1/4	1	0.178"	0.178"	NA	12"	0.178"	I	NA	Accept
XT-12		1.0"	NA	1/4	1	0.178"	0.178"	NA	12"	0.178"	I	NA	Accept
XT-13		1.0"	NA	1/4	1	0.178"	0.178"	NA	12"	0.178"	I	NA	Accept
XT-14		1.0"	NA	1/4	1	0.178"	0.178"	NA	12"	0.178"	I	NA	Accept

Interpretation is in accordance with the above mentioned Standard, to the best of my professional ability.

Technician: Neal Fleming Reg No: 10617 Assistant: Ryan Pearce

The above representation is a professional opinion, final interpretation is the responsibility of the client. I have reviewed and am in full agreement with the contents of this report.

Client Representative: R.M. SPENCE Sign: R.M. Spence Date: Jan 14/11

A021 RE R1

NWP INDUSTRIES INCORPORATED

SKIDDED EQUIPMENT TRAVEL SHEET

APPROVED BY: *[Signature]*

DATE: *Nov/20/2010*

UNIT SN NWP-1786-01 - SO 200106

WO #: 1786

DESCRIPTION:

1.88 mm btu/hr Lineheater / Integral Wet Meter Combination Pkg (Coil # NWP-1624-01) Unit 22

DRAWING #:

657538 Rev 7; 657538-1 Rev 12; 778135 Rev 7; & 777377-A Rev 7

	REQ.	HOLD	EMPLOYEE INT.	DATE COMPLETE	QC INIT.	DATE
QUOTATION REVIEWED	✓		<i>[Signature]</i>	Dec 17/10		
WORK INSTRUCTIONS ISSUED	✓		<i>[Signature]</i>	Dec 17/10	<i>[Signature]</i>	Nov 23
WORK INSTRUCTIONS REVIEWED	✓		<i>[Signature]</i>	Dec 17/10	<i>[Signature]</i>	Nov 23
ABSA NOTIFIED FOR INSTALLATION INSPECTION	N/A				<i>[Signature]</i>	Jan 28/11
MATERIAL & PARTS RELEASED	✓		<i>[Signature]</i>	Dec 17/10	<i>[Signature]</i>	Jan 28/11
HYDRO TEST PIPING	✓	✓			<i>[Signature]</i>	Jan 28/11
INSTRUMENTATION	✓		<i>[Signature]</i>	Jan 28/11	<i>[Signature]</i>	Jan 31
PNEUMATIC LEAK TEST	✓	✓	<i>[Signature]</i>	Jan 28/11	<i>[Signature]</i>	Jan 31
INSTRUMENTATION VALVES/FUNCTION TEST	✓		<i>[Signature]</i>	Jan 28/11	<i>[Signature]</i>	Jan 31
<i>Thread Piping Visual Inspection completed</i> Thread Piping X-RAYS Reviewed + approved VISUAL INSPECTION P & ID CHECKED	✓	✓			<i>[Signature]</i>	Jan 31
VISUAL INSPECTION OF BUILDING & RECEIVING OF P.O.	✓				<i>[Signature]</i>	Jan 31
ANY CHANGE ORDERS VERIFIED COMPLETE	N/A ✓	✓			<i>[Signature]</i>	Jan 31
PREPARED FOR SHIPMENT & PACKAGE LOOSE ITEMS, TEST, CRATED AND DOCUMENTED	✓	✓				
<i>Paint & Chalking Complete</i> VISUAL INSPECTION AFTER PAINT & RECEIVING OF UNDER SKIN INSULATION P.O.	✓	✓			<i>[Signature]</i>	Jan 31
PACKAGING / PRESERVATION REQUIREMENTS COMPLETE	✓				<i>[Signature]</i>	Jan 31
SERVICING REQUIREMENTS DEFINED AND APPROVED	N/A					
<i>Net Tagging Complete</i> INSPECTION & FINAL RELEASE AND STICKER ATTACHED	✓	✓			<i>[Signature]</i>	Jan 31

CUSTOMER _____

DATE _____

ESSAK STEEL ALGOMA INC.
 105 West Street, Sault Ste. Marie, Ontario Canada P6A 7B4
 TEL: 709-566-8888 FAX: 709-566-8888
 -187718
MILL TEST REPORTS
 ESSAR STEEL ALGOMA INC. HEREBY CERTIFIES THAT THE MATERIAL HEREIN DESCRIBED WAS MADE AND TESTED IN ACCORDANCE WITH THE RULES OF THE SPECIFICATION SHOWN. ALL RESULTS ARE RETAINED IN ACCORDANCE WITH THE COMPANY'S STANDARD RECORD KEEPING PRACTICES.

CUSTOMER PURCHASE ORDER NUMBER: 12853-BS
 ENTRY DATE: 2009/12/30
 SHIP DATE: 2010/02/10
 TALLY NUMBER: 162594
 SHIPPERS NO.: -
 CARRIER: CITW
 CHARGE TO CUSTOMER NAME AND ADDRESS: ALBERTA INDUSTRIAL METALS LTD
 4821 - 78TH STREET
 RED DEER ALBERTA
 T4P 1N5
 SHIP TO CUSTOMER NAME AND ADDRESS: ALBERTA INDUSTRIAL METALS LTD
 C/O BATES (CPR) TRANSFER FACILITY
 CALGARY, ALBERTA

J. JOHNSTON
 MANAGING METALLURGIST
 THIS MILL TEST REPORT MAY NOT BE REPRODUCED EXCEPT IN FULL WITHOUT WRITTEN APPROVAL OF ESSAR STEEL ALGOMA INC. IF YOU RECEIVE THIS DOCUMENT, AND ARE NOT THE INTENDED RECEIVER, PLEASE CALL (709)945-2624 COLLECT FOR INSTRUCTIONS ON METHOD OF DISPOSAL OF DOCUMENT.

TEST CERT 1: BRAD@ABIM.CA TEST CERT 2: PLATE TEST COUPON:
TEST REPORTS REQUIRED
 INSP TR 2000133519 WS
 CUST USE 2010/02/14 20:53
RESALE
 MEETS EN 10204 3.1
 HEATS INDICATED WITH (+) MADE IN CANADA WITH DOMESTIC AND NORTH AMERICAN MATERIALS
 * * * * * OUR ITEM 004 DIMENSIONS .240 MIN X 72 X COIL * * * * *
 CUSTOMER ITEM 00003

COIL NUMBER 053046000
 HEAT 0209K-06
 NO. PIECES 1
 WEIGHT 38970
 COIL NUMBER 053046000
 HEAT 0209K-56
 NO. PIECES 1
 WEIGHT 39430
 TENSILE TESTS:
 * SAMPLE * * * TEST * * * YIELD TENSILE & ELONG
 SRCE GAUGE COND METH DIR KSI KSI
 0209K 2400 015 027 04 603 760 29 (2.1)
 * * * * * CHEMICAL PROPERTIES * * * * *
 C TI MN P N S SI CR NI CU MO AL CB V B
 0209K 0.001 0.017 0.0086 0.014 0.005 0.027 0.04 0.05 0.1 0.023 0.022 0.001

LAB ALG
 "Conforms with ASME
 Sec II Part A 2007 edition
 2009 addenda"
CD May 2010
****WARNING**** THE TEST RESULTS AND VALUES REPORTED HEREIN INDICATE ONLY THAT (1) THE PARTICULAR STEEL FOR WHICH THIS CERTIFICATE IS ISSUED MEETS THE MINIMUM SPECIFIED YIELD STRENGTH AND (2) THE CHEMICAL ANALYSIS AND PHYSICAL PROPERTIES OF SUCH STEEL ARE IN CONFORMANCE WITH THE REQUIREMENTS OF THE SPECIFICATION INDICATED. THE RESULTS OR VALUES REPORTED HEREIN CAN NOT BE USED TO QUALIFY THE STEEL FOR ANY SPECIFICATION OTHER THAN THE ONE INDICATED AND CAN NOT BE RELIED UPON FOR ANY PURPOSE INCLUDING DESIGN OR CALCULATIONS, AS REPRESENTING THE ACTUAL STRENGTH OF SUCH STEEL.

M64032179

CHARGE TO CUSTOMER NAME AND ADDRESS

RUSSEL METALS INC.
5724 40TH STREET SE,
CALGARY ALBERTA
T2C 2A1

ENTRY DATE
2010/08/23

SHIP DATE
2010/10/01

TOTALY NUMBER
198050

SHIP TO CUSTOMER NAME AND ADDRESS

RUSSEL METALS INC
5724 - 40TH STREET SE
CALGARY ALBERTA

CARRIER
BCOL

105 West Street, Sault Ste. Marie, Ontario Canada P6A 7B4

64A021850

-11252

MILL ORDER
66384

CUSTOMER SPECIFICATION
HR MULTIPLE CERTIFIED PLATE - HSLA - CSA G40.21 44W/ASTM A36 (04) (08) -
FLATNESS 1/2 A-6

SUPPLEMENTARY INSTRUCTIONS

TEST CERT 1: CAROLYN SPEERS 403-279-3269 TEST CERT 2: PLATE T
EST COUPON:

INSP TR TEST REPORTS REQUIRED
CST RESALE P/N 41218

2000161282 PF
2010/10/14 16:50

MEETS EN 10204 3.1
ISO QUALITY AND ENVIRONMENTAL CERTIFICATES AVAILABLE AT WWW.ESSARSTEELALGOMA.COM
ALL HEATS FULLY KILLED
HEATS INDICATED WITH (+) FINE GRAINED
HEATS INDICATED WITH (*) MADE IN CANADA WITH DOMESTIC AND NORTH AMERICAN MATERIALS

CUSTOMER ITEM 00003 OUR ITEM 002 DIMENSIONS .375 X 96 X 288 "

PLATE NUMBER
84157
64160
64175

HEAT-MS NO. WEIGHT
7401K-04 3 8821
7401K-55 3 8821
7401K-04 3 8821

PLATE NUMBER
64159
64161
7401K-55
7401K-55

NO. WEIGHT
3 8821

TENSILE TESTS:

HEAT 7401K
SRCE 166"
GAGE .3750
COND AR
METH AR
DIR T
YIELD KSI 52.0
TENSILE KSI 73.0
% ELONG 24(8")

PAGE 2 OF 11 EDI

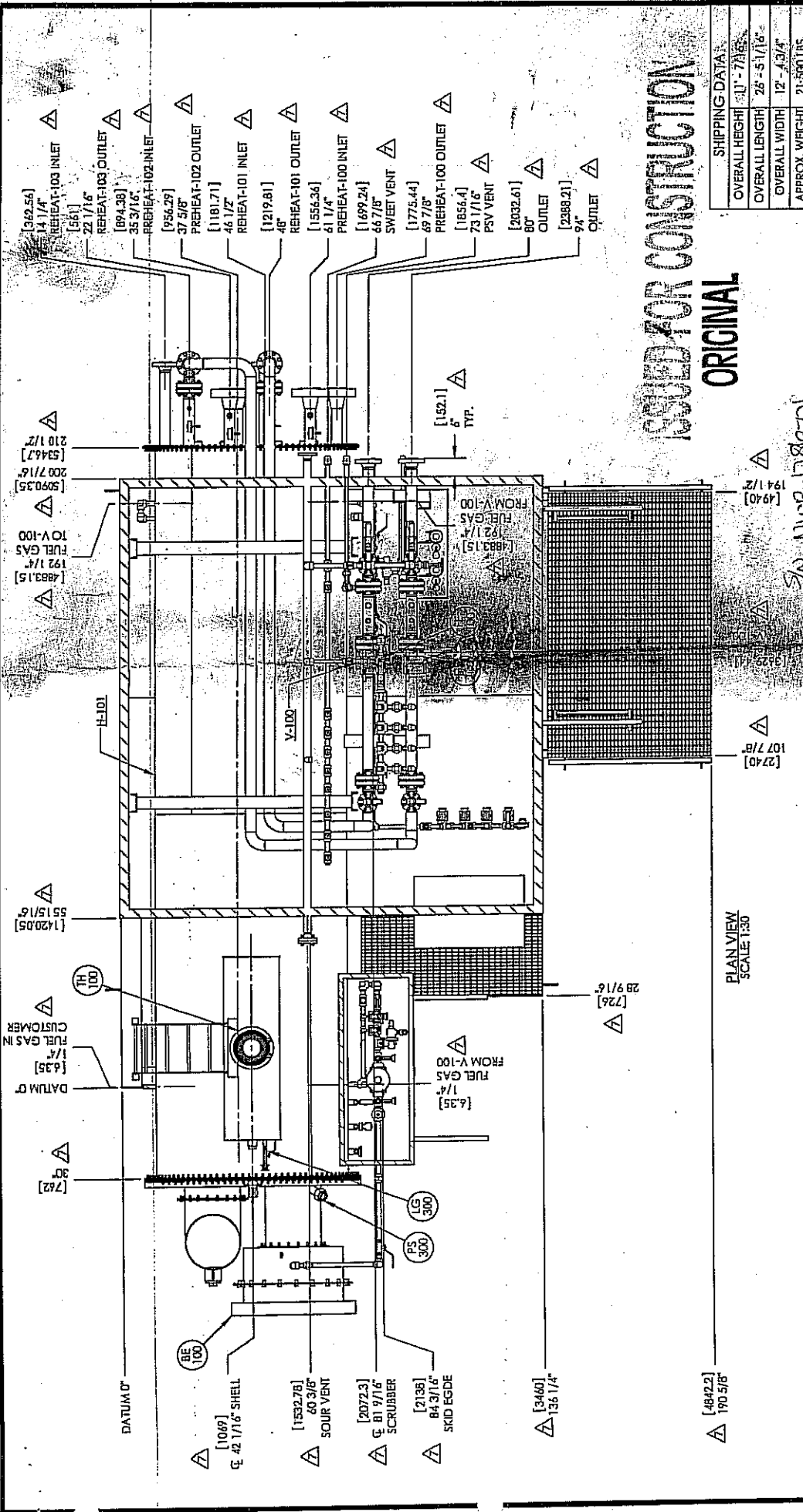
WARNING

THE TEST RESULTS AND VALUES REPORTED HEREIN INDICATE ONLY THAT (1) THE PARTICULAR STEEL FOR WHICH THIS CERTIFICATE IS ISSUED MEETS THE MINIMUM SPECIFIED YIELD STRENGTH AND (2) THE CHEMICAL ANALYSIS AND PHYSICAL PROPERTIES OF SUCH STEEL ARE IN CONFORMANCE WITH THE REQUIREMENTS OF THE SPECIFICATION INDICATED. THE RESULTS OR VALUES REPORTED HEREIN CAN NOT BE USED TO QUALIFY THE STEEL FOR ANY SPECIFICATION OTHER THAN THE ONE INDICATED AND CAN NOT BE RELIED UPON FOR ANY PURPOSE (INCLUDING DESIGN OR CALCULATIONS) AS REPRESENTING THE ACTUAL STRENGTH OF SUCH STEEL.

MILL TEST REPORTS
ESSAR STEEL ALGOMA INC HEREBY CERTIFIES THAT THE MATERIAL HEREIN DESCRIBED WAS MADE AND TESTED IN ACCORDANCE WITH THE RULES OF THE SPECIFICATION SHOWN. ALL RESULTS ARE RETAINED IN ACCORDANCE WITH THE COMPANY'S STANDARD RECORD KEEPING PRACTICES.

M. MCLEAN
MANAGING METALLURGIST

THIS MILL TEST REPORT MAY NOT BE REPRODUCED EXCEPT IN FULL WITHOUT WRITTEN APPROVAL OF ESSAR STEEL ALGOMA INC. IF YOU RECEIVE THIS DOCUMENT AND ARE NOT THE INTENDED RECEIVER, PLEASE CALL (705)945-2624 COLLECT FOR INSTRUCTIONS ON METHOD OF DISPOSAL OF DOCUMENT.



SHIPPING DATA:

OVERALL HEIGHT	10' - 7 1/8"
OVERALL LENGTH	26' - 5 1/8"
OVERALL WIDTH	12' - 4 3/4"
APPROX. WEIGHT	21,590 LBS.

ENCANA CORPORATION
 LINE HEATER AND METERING PACKAGE
 1.88 MBTU/HR. @ 240 PSI LINE HEATER
 (2) 3" - 600 ANSI RF JRMETER RUNS
 GENERAL ARRANGEMENT

DWN: JHK CHC: GH APP: DF
 DATE: 2009.11.11 DATE: 2009.12.10 DATE: 2009.12.10
 SCALE: 1:30 DWG: 45730
 SHEET: 1 OF 3

ISSUED FOR CONSTRUCTION
 NWP INDUSTRIES INC.
 P.O. BOX 6250, MINNISFALL, AB T4G 1S9
 PH: (403) 227-4100 FAX: (403) 227-4102
 (Other natural supply)
 THIS DRAWING IS PROPERTY OF NWP INDUSTRIES INC.
 AND MAY NOT BE REPRODUCED WITHOUT PERMISSION.
 THIS DRAWING MUST BE RETURNED UPON REQUEST.

PLAN VIEW
 SCALE: 1:30

REV	DATE	BY	CHK	APP	DESCRIPTION
5	2010.04.20	JHK	GH	DF	REVISED AS PER RFDC #00143
4	2010.04.12	JHK	EB	DF	REVISED AS PER RFDC #00127
3	2010.03.25	JHK	EB	DF	REVISED AS PER RFDC #00094
2	2010.01.18	JHK	GH	DF	REVISED AS PER RFDC #00034
1	2010.01.08	JHK	GH	DF	REVISED AS PER CLIENT - RE-ISSUED FOR CONSTRUCTION
7	2010.06.28	JHK	GH	DF	REVISED AS PER RFDC #00705
6	2010.05.27	JHK	GH	DF	REVISED AS PER RFDC #00148

REV	DATE	BY	CHK	APP	DESCRIPTION
5	2010.04.20	JHK	GH	DF	REVISED AS PER RFDC #00143
4	2010.04.12	JHK	EB	DF	REVISED AS PER RFDC #00127
3	2010.03.25	JHK	EB	DF	REVISED AS PER RFDC #00094
2	2010.01.18	JHK	GH	DF	REVISED AS PER RFDC #00034
1	2010.01.08	JHK	GH	DF	REVISED AS PER CLIENT - RE-ISSUED FOR CONSTRUCTION
7	2010.06.28	JHK	GH	DF	REVISED AS PER RFDC #00705
6	2010.05.27	JHK	GH	DF	REVISED AS PER RFDC #00148

ENCANA CORPORATION
 LINE HEATER AND METERING PACKAGE
 1.88 MBTU/HR. @ 240 PSI LINE HEATER
 (2) 3" - 600 ANSI RF JRMETER RUNS
 GENERAL ARRANGEMENT

DWN: JHK CHC: GH APP: DF
 DATE: 2009.11.11 DATE: 2009.12.10 DATE: 2009.12.10
 SCALE: 1:30 DWG: 45730
 SHEET: 1 OF 3

ISSUED FOR CONSTRUCTION
 NWP INDUSTRIES INC.
 P.O. BOX 6250, MINNISFALL, AB T4G 1S9
 PH: (403) 227-4100 FAX: (403) 227-4102
 (Other natural supply)
 THIS DRAWING IS PROPERTY OF NWP INDUSTRIES INC.
 AND MAY NOT BE REPRODUCED WITHOUT PERMISSION.
 THIS DRAWING MUST BE RETURNED UPON REQUEST.

PLAN VIEW
 SCALE: 1:30

REV	DATE	BY	CHK	APP	DESCRIPTION
5	2010.04.20	JHK	GH	DF	REVISED AS PER RFDC #00143
4	2010.04.12	JHK	EB	DF	REVISED AS PER RFDC #00127
3	2010.03.25	JHK	EB	DF	REVISED AS PER RFDC #00094
2	2010.01.18	JHK	GH	DF	REVISED AS PER RFDC #00034
1	2010.01.08	JHK	GH	DF	REVISED AS PER CLIENT - RE-ISSUED FOR CONSTRUCTION
7	2010.06.28	JHK	GH	DF	REVISED AS PER RFDC #00705
6	2010.05.27	JHK	GH	DF	REVISED AS PER RFDC #00148

ASSEMBLY
 NG AND INSTRUMENTATION DIAGRAM
 DESCRIPTION
 REFERENCE DRAWINGS

DRAWING REVISIONS

[5441.95] 214 1/4"

[8052.92] 317 1/16" OAL SHIPPING

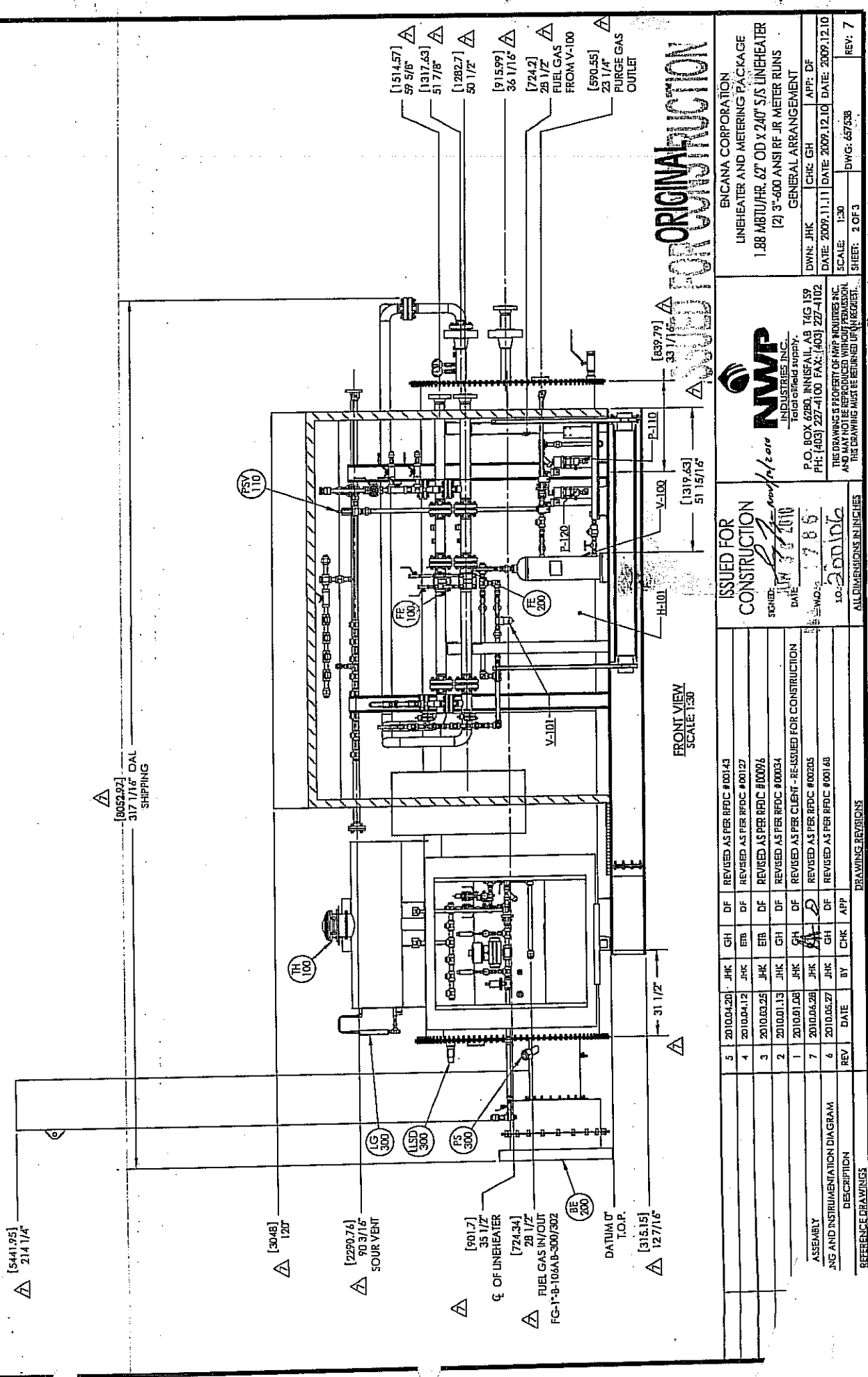
[3048] 120"

[2290.76] 90 3/16" SOUR VENT

[901.7] 35 1/2" Q OF LINEHEATER

[724.34] 28 1/2" FUEL GAS IN/OUT FG-1"-8-106A-B-300/302

DATUM 0' T.O.P. [315.15] 127 1/16"



FOR ORIGINAL FUNCTION

FRONT VIEW SCALE: 1:30

REV	DATE	BY	CHK	APP	DESCRIPTION
5	2010.04.20	JHK	GH	DF	REVISED AS PER RFDC #00143
4	2010.04.12	JHK	EBB	DF	REVISED AS PER RFDC #00127
3	2010.03.25	JHK	EBB	DF	REVISED AS PER RFDC #00096
2	2010.01.13	JHK	GH	DF	REVISED AS PER RFDC #00034
1	2010.01.08	JHK	GH	DF	REVISED AS PER CLIENT - RE-ISSUED FOR CONSTRUCTION
7	2010.04.28	JHK	GH	DF	REVISED AS PER RFDC #00205
6	2010.05.27	JHK	GH	DF	REVISED AS PER RFDC #00148
ASSEMBLY					ENGINEERING AND INSTRUMENTATION DIAGRAM
REFERENCE DRAWINGS					

ISSUED FOR CONSTRUCTION

SCH: *WHP/for*

DATE: *APR 27 2010*

NO: *1785*

10: *201012*

ALL DIMENSIONS IN INCHES

NWPI
INDUSTRIES, INC.

INDUSTRIES, INC.

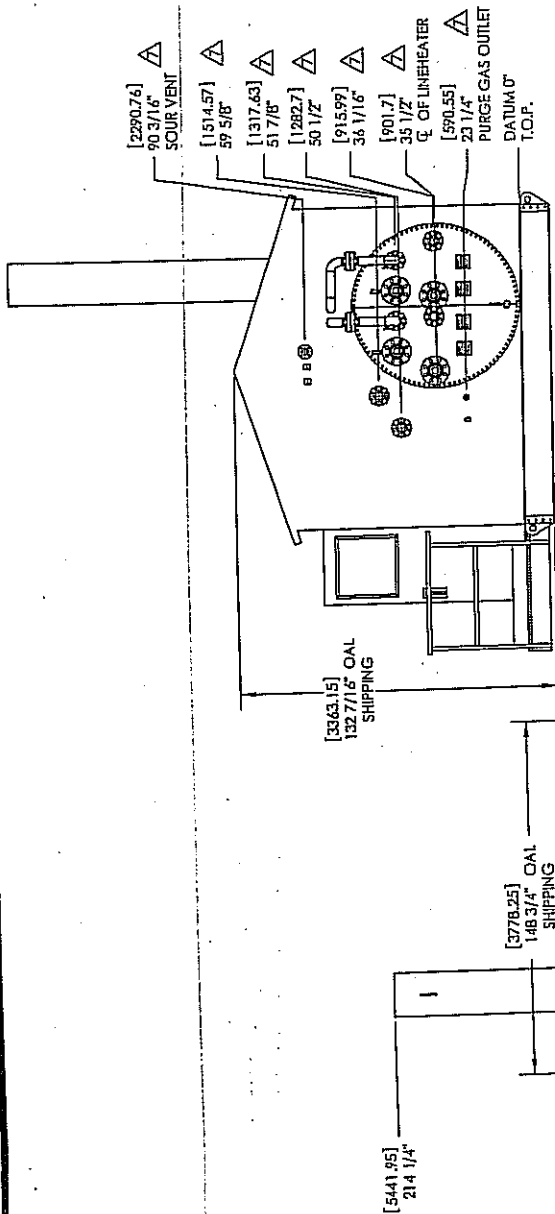
Total of field supply.

P.O. BOX 6290, MINNEAPOLIS, MN 55424-0290
PH: (402) 227-4100 FAX: (402) 227-4102

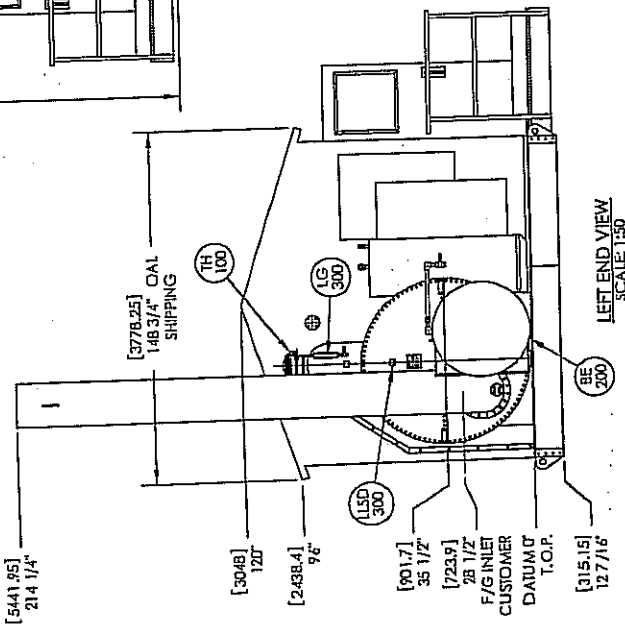
THIS DRAWING IS THE PROPERTY OF NWPI INDUSTRIES, INC. AND MAY NOT BE REPRODUCED WITHOUT PERMISSION. THIS DRAWING MUST BE RETURNED UPON REQUEST.

ENCANA CORPORATION
LINEHEATER AND METERING PACKAGE
1.88 MBTU/HR. 62" OD X 240" S/S LINEHEATER
(2) 3"-600 ANSI RE IR METER RUNS
GENERAL ARRANGEMENT

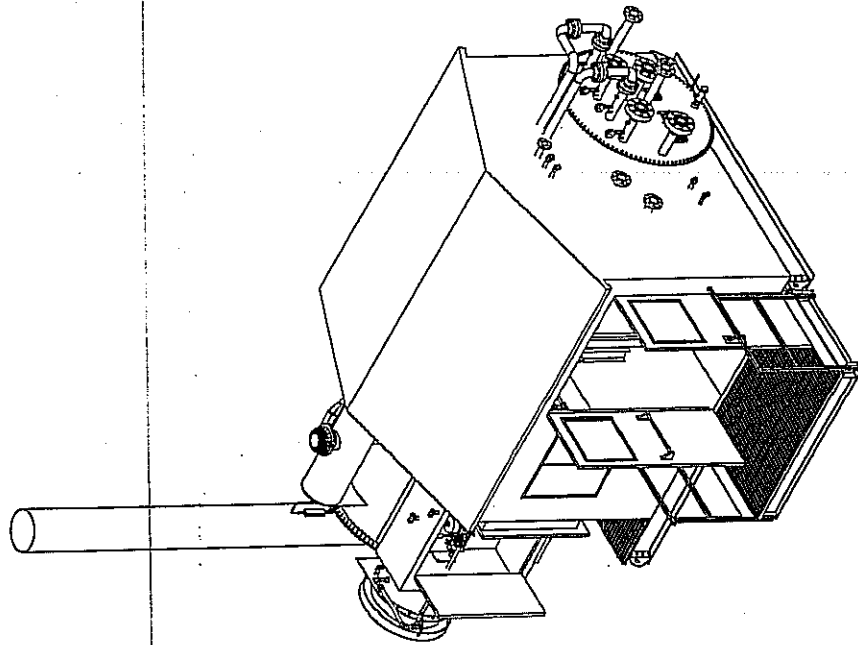
DWNL: JHK CHK: GH APP: DF
DATE: 2009.11.11 DATE: 2009.12.10 DATE: 2009.12.10
SCALE: 1:30 SHEET: 2 OF 3 DWG: 457.538
REV: 7



RIGHT END VIEW
SCALE: 1:50



LEFT END VIEW
SCALE: 1:50



ISOMETRIC VIEW
SCALE: 1:50

ORIGINAL

ISSUED FOR CONSTRUCTION
SIGNED: [Signature]
DATE: JUN 3 2010
NO. 1788
I.D. 200101

REV	DATE	BY	CHK	APP	DESCRIPTION	REFERENCE DRAWINGS
5	2010.04.20	JHK	GH	DF	REVISED AS PER RFDC #00143	
4	2010.04.12	JHK	ETB	DF	REVISED AS PER RFDC #00137	
3	2010.03.25	JHK	ETB	DF	REVISED AS PER RFDC #00076	
2	2010.01.13	JHK	GH	DF	REVISED AS PER RFDC #00034	
1	2010.01.08	JHK	GH	DF	REVISED AS PER CLIENT - ISSUED FOR CONSTRUCTION	
7	2010.06.28	JHK	GH	DF	REVISED AS PER RFDC #00205	
6	2010.05.27	JHK	GH	DF	REVISED AS PER RFDC #00148	

ENCANA CORPORATION
LINEHEATER AND METERING PACKAGE
1.88 MBTU/HR, 62" OD X 240' S/S LINEHEATER
(2) 3"-600 ANSI RP IR METER RUNS
GENERAL ARRANGEMENT

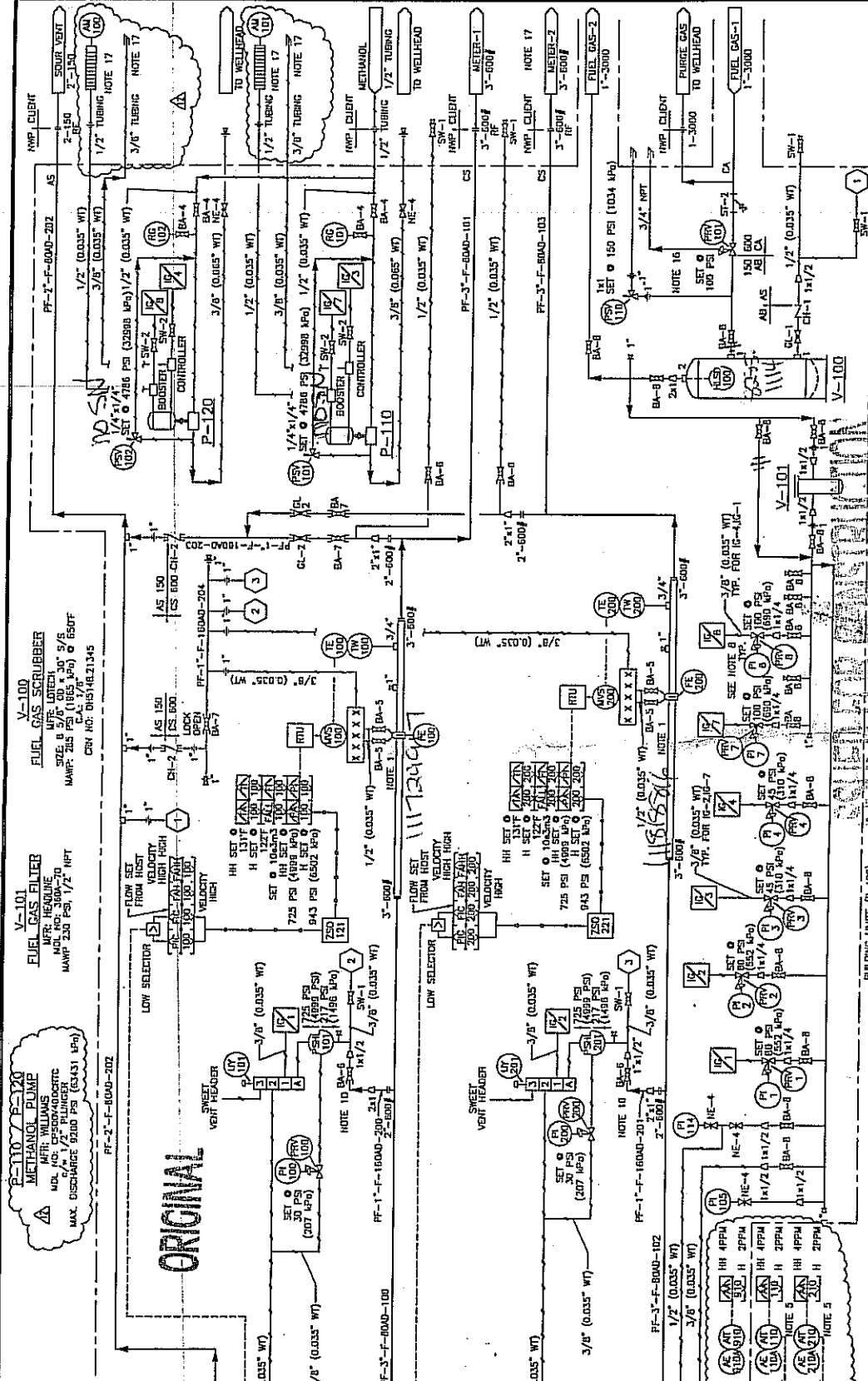
NWFP
INDUSTRIES INC.
Total original supply.
P.O. BOX 4580, MINNEAPOLIS, MN 55416
PH: (603) 222-4100 FAX: (603) 222-4102

THIS DRAWING IS PROPERTY OF NWFP INDUSTRIES INC.
AND MAY NOT BE REPRODUCED WITHOUT PERMISSION.
THIS DRAWING MUST BE RETURNED UPON REQUEST.

DRAWING REVISIONS

DWN: JHK CHR: GH APP: DF
DATE: 2009.11.11 DATE: 2009.12.10 DATE: 2009.12.10
SCALE: 1:50
SHEET: 3 OF 3 DWG: 457.538 REV: 7

ENCANA PO#	QEDOB#	38262
507 200005	507 200006	507 200007
507 200008	507 200009	507 200010
507 200011	507 200012	507 200013
507 200014	507 200015	507 200016



ENCANA CORPORATION
 LINEHEATER AND METERING PACKAGE
 1.88 MMIBTU/HR, 62" OD x 240" S/S
 (2) 3" 400 ANSI RF JR METER RUNS
 PIPING AND INSTRUMENTATION DIAGRAM

ENCANA INDUSTRIES INC.
 Total oil field supply.
 P.O. BOX 4290, NINFA, AB T4G 5S9
 PH: (403) 227-4100 FAX: (403) 227-4102
 THIS DRAWING IS PROPERTY OF ENCANA INDUSTRIES INC. AND
 MAY NOT BE REPRODUCED OR COPIED WITHOUT PERMISSION.
 DRAWINGS MUST BE RETURNED UPON REQUEST.

ISSUED FOR CONSTRUCTION
 DATE: 09/11/11
 5.0 - 2010.01.16

ENCANA INDUSTRIES INC.
 DATE: 09/11/11
 5.0 - 2010.01.16

ENCANA INDUSTRIES INC.
 DATE: 09/11/11
 5.0 - 2010.01.16

ENCANA INDUSTRIES INC.
 DATE: 09/11/11
 5.0 - 2010.01.16

ENCANA INDUSTRIES INC.
 DATE: 09/11/11
 5.0 - 2010.01.16

REV	DATE	BY	CHK	APP	DESCRIPTION
11	2010.07.27	CW	CF	DF	REVISED AS PER RFDG #00231
10	2010.07.15	JHK	-	-	SENT TO CUSTOMER FOR REVIEW
9	2010.06.24	JHK	GH	DF	REVISED AS PER RFDG #00205
8	2010.06.03	JHK	GH	DF	REVISED AS PER RFDG #00174
7	2010.04.16	JHK	DF	GH	REVISED AS PER RFDG #00137
6	2010.04.01	JHK	DF	GH	REVISED AS PER RFDG #00120, 00121
12	2010.08.10	CW	BY	CHK	APP

ENCANA PO#	QEDOB#	38262
507 200005	507 200006	507 200007
507 200008	507 200009	507 200010
507 200011	507 200012	507 200013
507 200014	507 200015	507 200016

ENCANA CORPORATION
 LINEHEATER AND METERING PACKAGE
 1.88 MMIBTU/HR, 62" OD x 240" S/S
 (2) 3" 400 ANSI RF JR METER RUNS
 PIPING AND INSTRUMENTATION DIAGRAM

ENCANA INDUSTRIES INC.
 Total oil field supply.
 P.O. BOX 4290, NINFA, AB T4G 5S9
 PH: (403) 227-4100 FAX: (403) 227-4102
 THIS DRAWING IS PROPERTY OF ENCANA INDUSTRIES INC. AND
 MAY NOT BE REPRODUCED OR COPIED WITHOUT PERMISSION.
 DRAWINGS MUST BE RETURNED UPON REQUEST.

ISSUED FOR CONSTRUCTION
 DATE: 09/11/11
 5.0 - 2010.01.16

ENCANA INDUSTRIES INC.
 DATE: 09/11/11
 5.0 - 2010.01.16

ENCANA INDUSTRIES INC.
 DATE: 09/11/11
 5.0 - 2010.01.16

ENCANA INDUSTRIES INC.
 DATE: 09/11/11
 5.0 - 2010.01.16

REV	DATE	BY	CHK	APP	DESCRIPTION
11	2010.07.27	CW	CF	DF	REVISED AS PER RFDG #00231
10	2010.07.15	JHK	-	-	SENT TO CUSTOMER FOR REVIEW
9	2010.06.24	JHK	GH	DF	REVISED AS PER RFDG #00205
8	2010.06.03	JHK	GH	DF	REVISED AS PER RFDG #00174
7	2010.04.16	JHK	DF	GH	REVISED AS PER RFDG #00137
6	2010.04.01	JHK	DF	GH	REVISED AS PER RFDG #00120, 00121
12	2010.08.10	CW	BY	CHK	APP

BMC-100
BURNER MANAGEMENT SYSTEM
 MODEL NO. 42-5500
 24 VDC

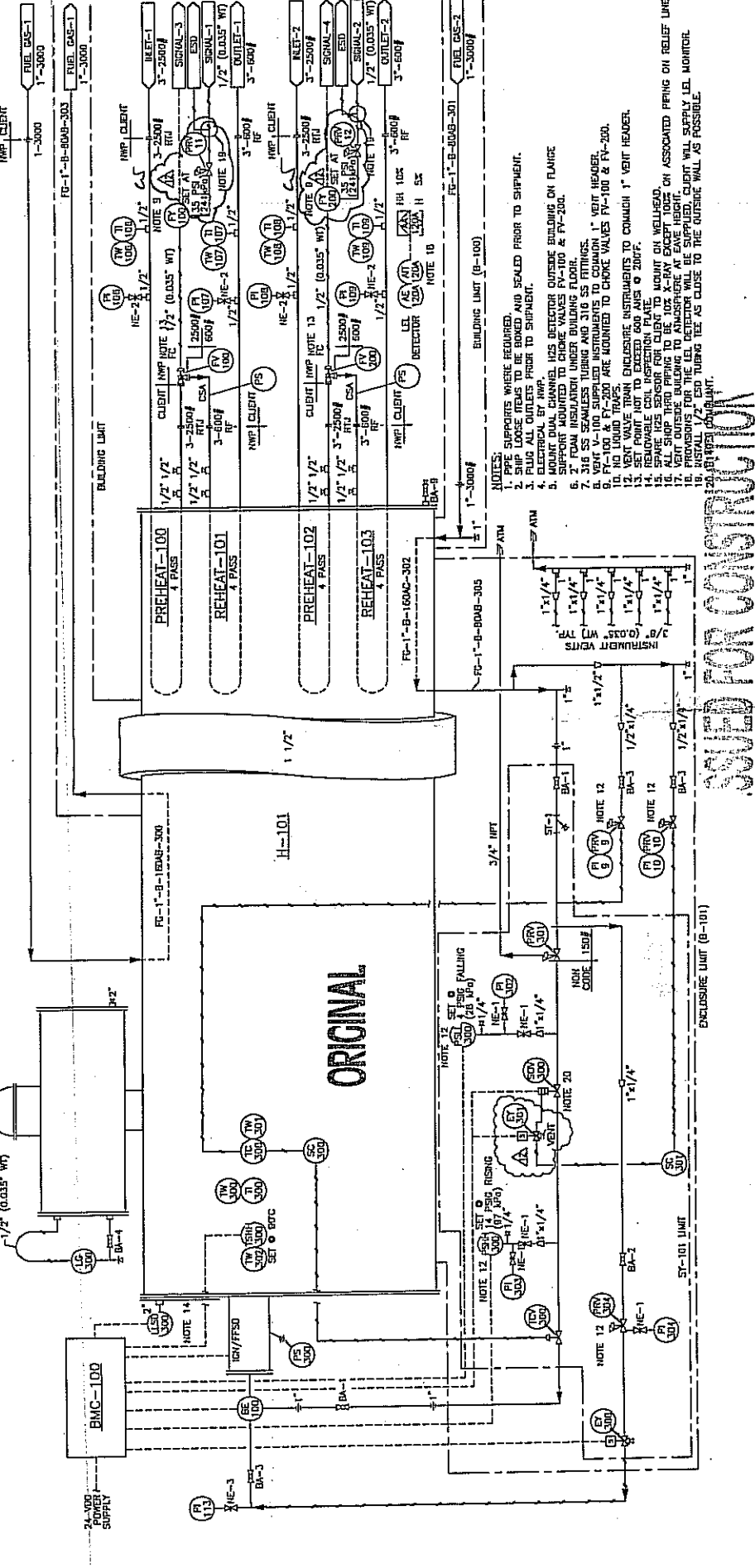
H-101
LINE HEATER
 MFR: NWP INDUSTRIES
 SIZE: 40" x 240" x 5/8"
 DUTY: 1.08 MBTU/HR

PREHEAT-100
COIL A
 MFR: NWP INDUSTRIES
 DESIGN: 1350 PSIG @ 200°F
 RATE: 100%
 CK: 1/8"

PREHEAT-101
COIL B
 MFR: NWP INDUSTRIES
 DESIGN: 1350 PSIG @ 200°F
 RATE: 100%
 CK: 1/8"

PREHEAT-102
COIL C
 MFR: NWP INDUSTRIES
 DESIGN: 1350 PSIG @ 200°F
 RATE: 100%
 CK: 1/8"

REHEAT-103
COIL D
 MFR: NWP INDUSTRIES
 DESIGN: 1350 PSIG @ 200°F
 RATE: 100%
 CK: 1/8"



ENCANA CORPORATION
LINE HEATER AND METERING PACKAGE
 1.88 MBTU/HR, 62" OD x 240" S/S
 (2) 3"-600 ANSI RF JR METER RUNS
 PIPING AND INSTRUMENTATION DIAGRAM

NWP INDUSTRIES INC.
 P.O. BOX 6280, BIRMINGHAM, AL 35216
 PH: (404) 227-4100 FAX: (404) 227-4102

ISSUED FOR CONSTRUCTION
 DATE: AUG 17 2010
 SO: 201010

REV	DATE	BY	CHK	APP	DESCRIPTION
11	2010.07.27	CW	CF	DF	REVISED AS PER RFDC #00231
10	2010.07.15	JHK	GH	DF	REVISED AS PER RFDC #00231
9	2010.04.24	JHK	GH	DF	REVISED AS PER RFDC #00235
8	2010.01.03	JHK	GH	DF	REVISED AS PER RFDC #00174
7	2010.04.16	JHK	DF	GH	REVISED AS PER RFDC #00137
6	2010.04.01	JHK	DF	GH	REVISED AS PER RFDC #00120, #00121
12	2010.08.10	CW	CF	DF	REVISED AS PER RFDC #00259

ENCLOSURE LIMIT (E-101)
BUILDING LIMIT (B-100)

- NOTES:**
- PIPE SUPPORTS WHERE REQUIRED.
 - PIPE JOSE HEADS TO BE SEED AND SEALED PRIOR TO SHIPMENT.
 - ELECTRICAL BY NWP.
 - MOUNT DUAL CHANNEL H2S DETECTOR OUTSIDE BUILDING ON FLANGE SUPPORT MOUNTED TO CHOKE VALVES FV-100 & FV-200.
 - 2" FOAM INSULATION UNDER BUILDING FLOOR.
 - 316 SS SEAMLESS TUBING AND 316 SS FITTINGS.
 - FV-100 & FV-200 ARE MOUNTED TO CHOKE VALVES FV-100 & FV-200. NO LIQUID TRAPS.
 - 1" VENT HEADER.
 - RELIEF VALVE FROM ENCLOSURE INSTRUMENTS TO COMMON 1" VENT HEADER.
 - RELIEF VALVE FROM ENCLOSURE INSTRUMENTS TO COMMON 1" VENT HEADER.
 - SPARE H2S SENSOR FOR CLIENT TO MOUNT ON WELLHEAD.
 - ALL SHIP THRO PIPING TO BE 10% X-RAY EXCEPT TIGHT OR LIGHT CLIENT WILL SUPPLY I.D. MONITOR.
 - VENT OUTSIDE BUILDING TO ATMOSPHERE.
 - INSTALL 1/2" ESD TUBING TEE AS CLOSE TO THE OUTSIDE WALL AS POSSIBLE.

REFERENCE DRAWINGS

NO.	DESCRIPTION
100075	PLASMA CUT PARTS BATH ASSEMBLY
031047/06489	SEED/ASSEMBLY
77377-W	WELDED PIPE
40105	COIL ASSEMBLY
77377-A	PIPING ASSEMBLY

DRAWING REVISIONS

REV	DATE	BY	CHK	APP	DESCRIPTION
11	2010.07.27	CW	CF	DF	REVISED AS PER RFDC #00231
10	2010.07.15	JHK	GH	DF	REVISED AS PER RFDC #00231
9	2010.04.24	JHK	GH	DF	REVISED AS PER RFDC #00235
8	2010.01.03	JHK	GH	DF	REVISED AS PER RFDC #00174
7	2010.04.16	JHK	DF	GH	REVISED AS PER RFDC #00137
6	2010.04.01	JHK	DF	GH	REVISED AS PER RFDC #00120, #00121
12	2010.08.10	CW	CF	DF	REVISED AS PER RFDC #00259

ENCANA CORPORATION
 DATE: 09.11.11
 DATE: 09.11.11
 SCALE: NTS
 SHEET: 2 OF 4
 DWG: 657639-1
 REV: 12

BILL OF MATERIALS

TAG#	DESCRIPTION	QTY.	PART#	TAG#	DESCRIPTION	QTY.	PART#
H-101	LINEHEATER - MFR: NWP INDUSTRIES INC. SIZE: 67" OD x 240' 5/8" DUAL: 1.88 MM BTU/HR C/W 1 1/2" FIBERGLASS INS. SHELL ONLY	1	100075	P-105/114	1/2" HPT, 4" FACE, D-300 PSI	2	400336
REHEAT-100	COIL A - MFR: NWP INDUSTRIES INC. SIZE: 3" SCH XHT SA-333-6 2500 ANSI RTJ DESIGN: 5031 PSIG @ 200°F, XRAY: 100%, PWHT: YES, C.A.: 1/8"	1	490105	P-106/8	PRESSURE INDICATOR - MFR: HYDROPOSE, MODEL NO: 602 1/2" HPT, 4 1/2" FACE, D-1000 PSI DUAL SCALE, ALUMINUM CASE AND SS INTERNALS,	2	101221
REHEAT-101	COIL B - MFR: NWP INDUSTRIES INC. SIZE: 3" SCH XH SA-1068 600 ANSI RF DESIGN: 1350 PSIG @ 200°F, XRAY: 100%, PWHT: YES, C.A.: 1/8"	1	490105	P-107/8	PRESSURE INDICATOR - MFR: HYDROPOSE, MODEL NO: 602 1/2" HPT, 4 1/2" FACE, D-2000 PSI DUAL SCALE, ALUMINUM CASE AND SS INTERNALS	2	864368
REHEAT-102	COIL C - MFR: NWP INDUSTRIES INC. SIZE: 3" SCH XHT SA-333-6 2500 ANSI RTJ DESIGN: 5031 PSIG @ 200°F, XRAY: 100%, PWHT: YES, C.A.: 1/8"	1	490105	P-113	PRESSURE INDICATOR - MFR: HYDROPOSE, MODEL NO: 602 1 1/4" HPT, 3 1/2" FACE, D-300 PSI DUAL SCALE, ALUMINUM CASE AND SS INTERNALS	1	122376
REHEAT-103	COIL D - MFR: NWP INDUSTRIES INC. SIZE: 3" SCH XH SA-1068 600 ANSI RF DESIGN: 1350 PSIG @ 200°F, XRAY: 100%, PWHT: YES, C.A.: 1/8"	1	490105	PRV-100/290	PRESSURE REGULATOR - MFR: FISHER, MODEL NO: 67CFR 1 1/4" HPT, 250 PSIG WAMP, 0-60 PSI SPRING, STD TRIM C/W PRESSURE INDICATOR	2	100164
BAC-100	BURNER IGNITION CONTROLLER - MFR: ACL, MODEL NO: 5500, 24 VDC OPERATION, NEMA 4 ENCLOSURE MICROPROCESSOR BASED PLANE FLY/IGNITION SYSTEM WITH AUTO RELIGHT, SHUTDOWN INP/OUT, REMOTE STOP/START, ALARM RELAY	1	859405	PRV-101	PRESSURE REGULATOR - MFR: FISHER, MODEL NO: 67CFR 1 1/4" HPT, 70-150 PSI SPRING RANGE, 1/8" ORIFICE, 2000 WOG WAMP, WOG STEEL BODY CONSTRUCTION	1	898889
V-100	FUEL GAS SCRUBBER - MFR: LORTECH, SIZE: 8 3/8" OD x 30' 5/8" WAMP: 295 PSIG @ 650°F, C.A.: 1/16" C/W H2SO4-100	1	103218	PRV-3/4	PRESSURE REGULATOR - MFR: FISHER, MODEL NO: 67CFR 1 1/4" HPT, 250 PSIG WAMP, 0-60 PSI SPRING, STD TRIM C/W PRESSURE INDICATOR	2	100164
V-101	FUEL GAS FILTER - MFR: HEADLINE, MODEL NO: 3804-700	1	103218	PRV-1/2/7/8	PRESSURE REGULATOR - MFR: FISHER, MODEL NO: 67CFR 1 1/4" HPT, 250 PSIG WAMP, 0-120 PSI SPRING, STD TRIM C/W PRESSURE INDICATOR	4	100402
P-110/1/20	METHANOL PUMPS - MFR: WILLIAMS, MODEL NO: CP500V400C1TC C/W 1/2" PLUNGER, Buna Seals	2	632781	PRV-9	PRESSURE REGULATOR - MFR: FISHER, MODEL NO: 67CFR 1 1/4" HPT, 250 PSIG WAMP, 0-60 PSI SPRING, STD TRIM	1	100164
BE-100	BURNER - MFR: ENVIRO, MODEL NO: FAI-35-160, 1.88 MM BTU/HR (NET), 2 PIECE ALUMINUM HOUSING TO FIT 24" PRETUBE 2" HPT, 12" OD	1	100125	PRV-10	PRESSURE REGULATOR - MFR: FISHER, MODEL NO: 67CFR 1 1/4" HPT, 250 PSIG WAMP, 0-125 PSI SPRING, STD TRIM	1	100402
TH-100	TEMP WATCH - MFR: ELIARD, MODEL NO: 330 6", 18 oz PRESSURE, 0.1 oz VACUUM C/W GASKET	1	732147	PSV-101/20	PRESSURE PILOT - MFR: FISHER, MODEL NO: 4800 1/4" HPT, 150 PSI SPRING, 0-1500 PSI BOURNION TUBE, NON INTERACTIVE SET POINTS, SET @ 725 PSI RISING, 217 PSI FALLING	2	394973
LG-300	LEVEL GAUGE - MFR: KENDO, MODEL NO: 5700	1	101084	PSV-110	RELIEF VALVE - MFR: INTRCO, MODEL NO: SS-4R433 1/4" x 1/4", SET @ 4768 PSI, METHANOL SERVICE	2	101227
LLSD-300	LEVEL SWITCH - MFR: SOR, MODEL NO: 1510C-02A-C-WP-ES-CONVOY	1	101109	PSV-110	RELIEF VALVE - MFR: FARRIS, MODEL NO: ZTR433-400 COMPLIES TO INCE MR-01-75 IN THE PRIMARY ZONE 1" x 1", 150 PSIG SET PRESSURE, 316 SST BASE, DESIG. DISC, INSERT, CS CYLINDER, SST SPRING	1	100209
RG-101/2	RATE GAUGE - MFR: PLANSUN, MODEL NO: P5700	2	630650	WV-100/200	MULTI-VARIABLE SENSOR - MFR: CONTROL MICRO SYSTEMS, MODEL NO: 4102-0422Y101U-L DIP. PRESS SPAN: 10-840 IN H2O, ABSOLUTE PRESS. SPAN: 30-1500 PSI, DIGITAL MODBUS PROTOCOL, 316SS PROCESS COVER 1/4" HPT PROCESS CONNECTOR TYPE, DIGITAL INDICATOR W/ PUSH BUTTONS AND EX-PROOF WINDOW, FULLY COMPATIBLE WITH SCADA/PACK AND REALTIME, DEFLECTION PROOF CSA APPROVED CLASS 1, DVA1 GROUP B-D	2	579023
TC-300	TEMPERATURE CONTROLLER - MFR: RIMRAY, MODEL NO: HT-12 1/2" HPT, 30-400°F TEMP. RANGE, 12" PROBE C/W SS THERMOWELL	1	389284	WV-100/200	MFR: ANDERSON GREENWOOD, MODEL NO: MVEP5-4-50 5 VALVE WAMP, 316 SS BODY, FEEL SOFT SEAT	2	100684
TE/100/200	RTD - MFR: THERMAL RESOURCES, MODEL NO: RANEXUOX 3 WIRE RTD, 24 VDC, SS THERMOWELL, 3/4" HPT x 1/2" PIPT	2	009330	FE-100/200	MFR: NUFLO, SINGLE CHAMBER (3R) 3" 600 ANSI RF SCH XH/80 AA20000 LATEST EDITION, 100% RADIOGRAPHY WITH PWHT C/W (1) 1" AND (1) 3/4" TOL DOWNSTREAM AA	2	395099
TI-106/7/10/9	TEMPERATURE INDICATOR - MFR: TENDO, MODEL NO: 33 1/2" HPT, 0-250°F DUAL SCALE, 3" DIA, 2 1/2" STEM C/W THERMOWELL	1	020100	FW-100/200	ORIGINE VALVE - MFR: MASTERFIELD, MODEL NO: PZE 34JUL-3R05Z2JMY12 C/W F1-100/200, PRV-11/12 3" 2500 ANSI RTD INLET x 3" 600 ANSI RF OUT, TUNSTON CARBIDE TRIM, C/W FISHER 087 SIZE 70 PRELIMINARY SR ACTUATOR	2	867051
TI-300	TEMPERATURE INDICATOR - MFR: TENDO, MODEL NO: 33 1/2" HPT, 0-250°F DUAL SCALE, 3" DIA, 6" STEM C/W THERMOWELL	1	467701	UP-101/201	SWITCHING VALVE - MFR: AMGT, MODEL NO: 4057 CP 1/4" HPT, MANUAL LATCH	2	404351
TSHT-300	HIGH TEMP. SHUTDOWN - MFR: CCS, MODEL NO: CCS6900TE 14 24 VDC, SET @ 90°F C/W THERMOWELL	1	600881	E-18 AM-110	H2S ANALYZER - SINGLE CHANNEL MODEL MIP-11-4-517200 SINGLE CHANNEL TRANSMITTER	1	-
AM-101/102	AIRAMPLIFIER - MFR: ALIUD WITHAN CO., MODEL NO: M05011105	2	101242	E-100A R-110	H2S ANALYZER - MODEL NO M22-A-A DUAL CHANNEL TRANSMITTER	1	-
				E-100A R-310	H2S ANALYZER - MODEL NO M22-A-A DUAL CHANNEL TRANSMITTER	1	-
				E-101-120A	LEL DETECTOR - CUSTOMER SUPPLIED	-	-
				E-101-121A	LEL DETECTOR - CUSTOMER SUPPLIED	-	-

ISSUED FOR CONSTRUCTION

SIGNED: *[Signature]* DATE: *11/13/2010*

S.O.: *Enrico*

ALL DIMENSIONS IN INCHES

DRAWING REVISIONS

REV	DATE	BY	CHK	APP	DESCRIPTION
11	2010.07.27	CW	CF	DF	REVISED AS PER RFDC #00231
10	2010.07.15	JHK	GH	GH	REVISED AS PER RFDC #00231
9	2010.06.24	JHK	GH	GH	REVISED AS PER RFDC #00205
8	2010.06.03	JHK	GH	GH	REVISED AS PER RFDC #00174
7	2010.04.16	JHK	DF	GH	REVISED AS PER RFDC #00137
6	2010.04.01	JHK	DF	GH	REVISED AS PER RFDC #00120.0121
12	2010.08.10	CW	BY	CHK	REVISED AS PER RFDC #00259

REFERENCE DRAWINGS

ENCANA CORPORATION
LINEHEATER AND METERING PACKAGE
1.88 MM BTU/HR, 62" OD x 240' 5/8"
(2) 3"-600 ANSI RF JR METER RUNS
PIPING AND INSTRUMENTATION DIAGRAM

NWP INDUSTRIES INC.
P.O. BOX 5286, INSTANT, AZ 85315
PH: (408) 222-4100 FAX: (408) 222-4102
Total oil field supply.

DWN: JHK CHK: GH APP: CT
DATE: 09.11.11 DATE: 09.11.11 DATE: 09.11.30
SCALE: NTS DWG: 657538-1 REV: 12
SHEET: 3 OF 4

THIS DRAWING IS THE PROPERTY OF NWP INDUSTRIES INC. AND MAY NOT BE REPRODUCED WITHOUT PERMISSION. THE DRAWING MUST BE RETURNED UPON REQUEST.

BILL OF MATERIALS

TAG#	DESCRIPTION	QTY.	PART#	TAG#	DESCRIPTION	QTY.	PART#
ST-101	VALVE TRAIN - EPICHA SPEC PNEUMATIC VALVE TRAIN ** SEE BELOW**						
ST-1	Y-STRAINER 1" NPT	1	100091	BA-3	BALL VALVE - MFR: NUTRON, SIZE: 1/4" NPT x NPT 2000 WOG, CS BODY, RED PORT, STD TRIM	1	97613
FRV-301	MANI REGULATOR - FISHER 027 1" NPT	1	723029	BA-4	BALL VALVE - MFR: NUTRON, MODEL NO. T3, SIZE: 1/2" NPT x NPT 3000 WOG, CS BODY, FULL PORT, STD TRIM	3	112056
SOV-300	MANI SOLENOID - ACL-ASSY-1P-24 PNEUMATIC, CSA 6.5 WITH PROOF OF CLOSURE, 1" NPT, PNEUMATIC-ACTUATOR, 60 PSI SUPPLY, SS BODY, 24 VDC	1	100082	BA-5	BALL VALVE - MFR: NUTRON, SIZE: 1/2" NPT x NPT 3000 WOG, CS BODY, FULL PORT, INCE TRIM	5	100365
TCN-300	TEMPERATURE CONTROL VALVE - FISHER 119 PNEUMATIC	1	100084	BA-6	BALL VALVE - MFR: NUTRON, MODEL NO. T3, SIZE: 1" NPT x SW 3000 WOG, CS BODY, RED PORT, INACE	4	786600
SC-300/1	SPEED CONTROL VALVE - H4340000	1	100099	BA-7	BALL VALVE - MFR: NUTRON, MODEL NO. T3, SIZE: 1" SW x SW 3000 WOG, CS BODY, RED PORT, INACE	4	316818
FRV-304	PILOT REGULATOR - FISHER 6767R	2	100070	BA-8	BALL VALVE - MFR: NUTRON, MODEL NO. T3, SIZE: 1" NPT x NPT 3000 WOG, CS BODY, RED PORT, STD TRIM	3	072004
PSHI-300	HIGH FUEL PRESSURE SHUTDOWN SWITCH SET @ 14 PSI RISING	1	972658	BA-9	BALL VALVE - MFR: NUTRON, MODEL NO. T3, SIZE: 2" NPT x NPT 3000 WOG, CS BODY, RED PORT, STD TRIM	16	914874
PELL-300	LOW FUEL PRESSURE SHUTDOWN SWITCH SET @ 4 PSI FALLING	1	100095				
EP-300	PILOT SOLENOID - ACL-SV-SSO-1-24	1	100094	GL-1	CLOSE VALVE - MFR: NEWCO OR EQUAL 1" NPT x 1" NPT, 3000 WOG, 316 SS TRIM	1	
PI-302/3/4	PRESSURE GAUGES	1	100055	GL-2	CLOSE VALVE - MFR: NEWCO OR EQUAL 1" SW x 1" SW, 3000 WOG, 316 SS TRIM	1	
BA-1	BALL VALVE - BACO - 1" NPT REQUIRED FOR B148.3 COMPLIANCE	3	100069				
BA-2	BALL VALVE - BACO - 1/4" NPT REQUIRED FOR B148.3 COMPLIANCE	1	100067	SW-1	VALVE - MFR: SWAGelok, MODEL NO. SS-45T5B 1/2" TUBING x 1/2" TUBING	2	
NE-1	NEEDLE VALVE - MFR: ANDERSON GREENWOOD OR EQUAL 1/4" NPT, 6000 PSI, 316 SS BODY	1	100068	SW-2	BLAS VALVE - MFR: SWAGelok 3/8" TUBING, 316 SS	3	100421
PS-300	PEEP SITE GLASS	5					100483
CH-1	CHECK VALVE - MFR: CROWN OR EQUAL 1" NPT, 2000 WOG	1	775565	SK-100	SKID - SIZE: 11'-6" x 10'-3" L, MAIN MEMBERS 12" x 20 WIDE FLANGE, 3/16" CHECHER FLOORING (BUILDING AREA) 3/16" x 1/4" SERRATED BAR GRATING (LANDING), 4 POINT LIFT, HANDHOUS, 2 SPRAY BY FIRE RETARDANT UNDERFLOOR INS.	1	051017
CH-2	CHECK VALVE - MFR: NEWCO OR EQUAL 1" SW x SW, CLASS 800	1		B-100	SELF FRAME BUILDING - SIZE: 11'-6" W x 12' L x 8' H, CABLE STAY ROOF, CRT: 23 ga. 744 w/ METRO BROWN INT. 24 ga FLUDED ALUMINUM 6/A R12 INSULATION & 4 mil VAPOR BARRIER, DUAL 3" x 7" DOORS e/w AVG, CHECK CHAIN, CAMPT, AND WEATHER STRIPPING, (1) 30" x 30" DOUBLE GLAZED SLIDING WINDOW (2) 12"x12" ADJ. LOUVERS, ICE BAKE, EXES THROUGH w/ (2) DOWNPOUTS, 12" WHEELYARD VENT ENCLOSURE - SIZE: 24" W x 63" L x 61" H	1	
ST-2	Y-STRAINER - MFR: ALTA STRAINER, MODEL NO.: Y5600 1" NPT, 2000 WOG	1	068205	PAINT	SEPC-SP 0-63 COMMERCIAL BLAST, CLOYERDALE UNIVERSAL PNEUMATIC PRIMER SERIES 63 1.3-2 mils DFT CLOYERDALE 635 SERIES 07M POLYURETHANE ENAMEL 2-3 mils DFT SKID, CURB RAILS, LADDER, GRATING - BLACK, PREHURD STACK - HIGH HEAT BLACK VESSELS, PIPING, PIPE SUPPORTS - WARM GREY	1	
NE-2	NEEDLE VALVE - MFR: ANDERSON GREENWOOD OR EQUAL 1/2" NPT x NPT, 316 SS TRIM, 6000 PSI	5					
NE-3	NEEDLE VALVE - MFR: ANDERSON GREENWOOD OR EQUAL 1/4" NPT, 6000 PSI, 316 SS BODY	1					

ISSUED FOR CONSTRUCTION

DATE: AUG 17 2010

S.O. 200102

ALL DIMENSIONS IN INCHES



ENCANA CORPORATION
LINE HEATER AND METERING PACKAGE
1.88 MM BTU/HR, 62" OD x 240" S/S
(2) 3"-600 ANSI RF JR METER RUNS
PIPING AND INSTRUMENTATION DIAGRAM

REV	DATE	BY	CHK	APP	DESCRIPTION
11	2010.07.27	CW	CF	DF	REVISED AS PER RFDC #00231
10	2010.07.15	JHK	GH	DF	REVISED AS PER RFDC #00231
9	2010.06.24	JHK	GH	DF	REVISED AS PER RFDC #00205
8	2010.06.03	JHK	GH	DF	REVISED AS PER RFDC #00174
7	2010.04.18	JHK	DF	GH	REVISED AS PER RFDC #00137
6	2010.04.01	JHK	DF	GH	REVISED AS PER RFDC #00120
12	2010.08.10	CW	CF	DF	REVISED AS PER RFDC #00209

REFERENCE DRAWINGS

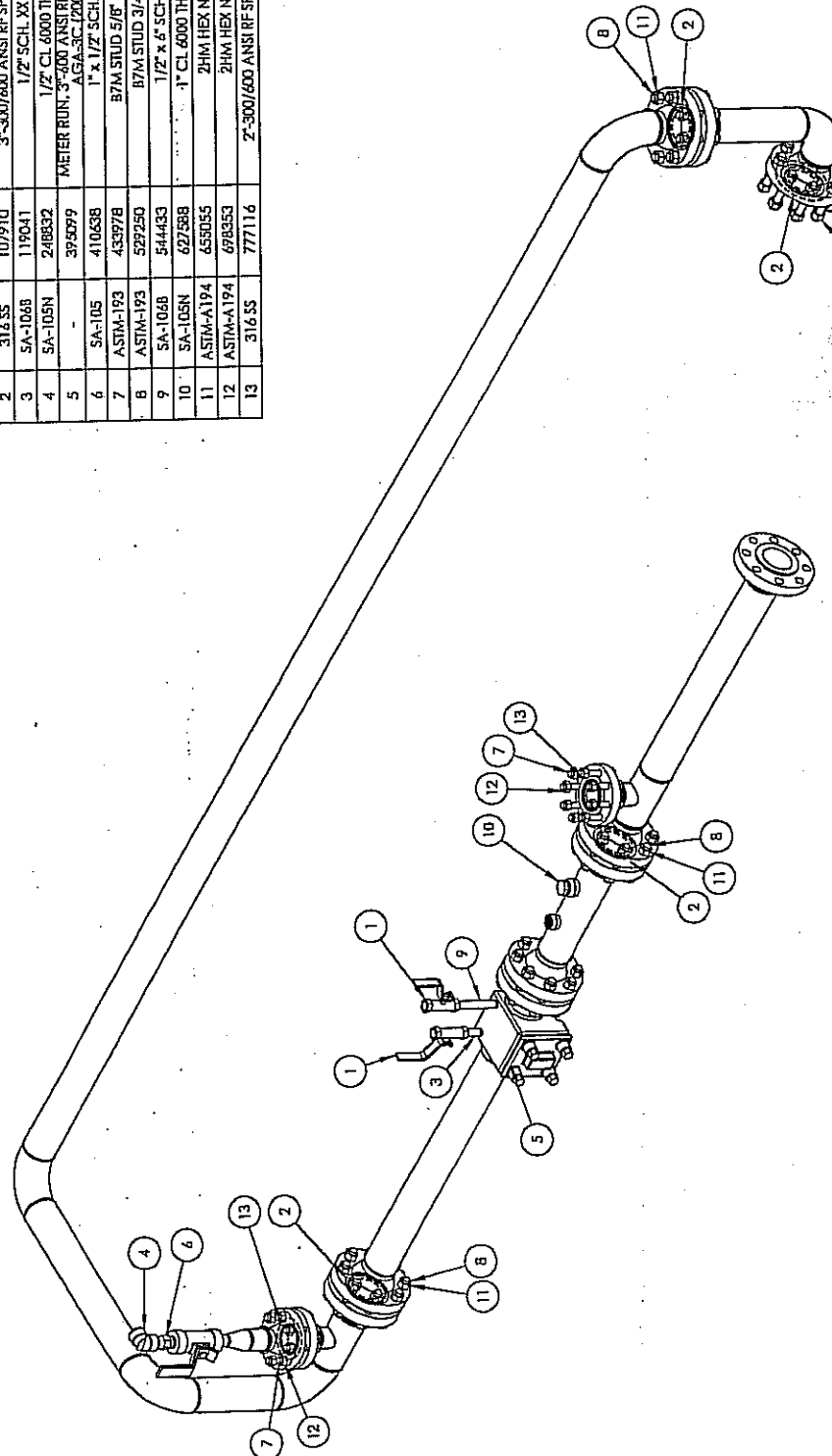
DRAWING REVISIONS

DWN: JHK | CHK: GH | APP: CT

DATE: 09.11.11 | DATE: 09.11.11 | DATE: 09.11.30

SCALE: NTS | SHEET: 4 OF 4 | DWG: 657598-1 | REV: 12

ITEM	MATERIAL	PART #	DESCRIPTION	MTR. #	LENGTH	QTY.
1	-	100365	1/2" 3000 PSI NUTRON T3 NACE TRIM FP BALL VALVE			2
2	316 SS	107910	3"-300/600 ANSI RF SPIRAL WOUND GASKET			4
3	SA-1068	119041	1/2" SCH. XXH x 3" NIPPLE			1
4	SA-105N	248832	1/2" CL 4000 THRD 90 ELBOW		64"	1
5	-	395079	METER RUN, 3"-600 ANSI RF NUTRO UNION ORIFICE AGA-SC-2000 ED11 SCJR			1
6	SA-105	410638	1" x 1/2" SCH. XXH SWAGE			1
7	ASTM-A193	433978	B7M STUD 5/8" DIA. x 4 1/4" LG			16
8	ASTM-A193	529250	B7M STUD 3/4" DIA. x 5" LG			32
9	SA-1068	544433	1/2" x 6" SCH. XXH NIPPLE			1
10	SA-105N	627588	1" CL 4000 THRD HEX PLUG			1
11	ASTM-A194	655055	2HM HEX NUT 3/4" DIA.			64
12	ASTM-A194	698353	2HM HEX NUT 5/8" DIA.			32
13	316 SS	777116	2"-300/600 ANSI RF SPIRAL WOUND GASKET			2



ISSUED FOR CONSTRUCTION ORIGINAL

ISSUED FOR CONSTRUCTION
SCHEDULE
JUN 30 2010
WORK
1785
SO.
500010

ENCANA CORPORATION
 LINE HEATER AND METERING PACKAGE
 1.88 MBTU/HR, 62" OD x 240' 5/8" LINE HEATER
 (2) 3"-600 ANSI RF JR METER RUNS
 WELDED PIPE ASSEMBLY

DWN: JHK CHR: GH APP: CT
 DATE: 2009.11.24 DATE: 2009.11.24 DATE: 2009.11.26

SCALE: 1/12 DWG: 77737-A REV: 7
 SHEET: 1 OF 3

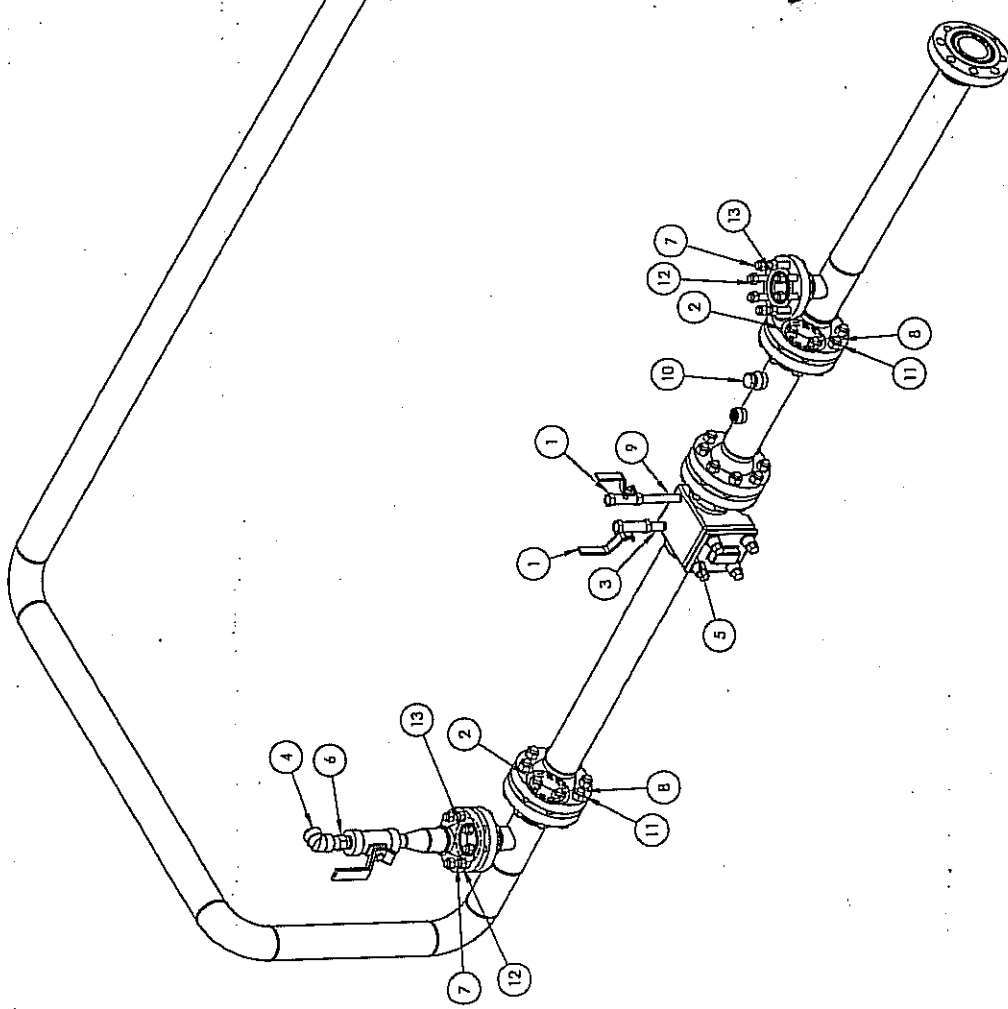
NWP INDUSTRIES INC.
INDUSTRIAL SUPPLY
 P.O. BOX 6280, INNSPAUL, AL 345 139
 PH: (405) 227-4100 FAX: (405) 227-4102
THIS DRAWING IS PROPERTY OF NWP INDUSTRIES INC. AND MAY NOT BE REPRODUCED WITHOUT PERMISSION. THIS DRAWING MUST BE RETURNED UPON REQUEST.

REV	DATE	BY	CHK	APP	DESCRIPTION
4	2010.03.25	JHK	DF	DF	REVISED AS PER RFDC #00114
3	2010.03.12	JHK	GH	GH	REVISED AS PER RFDC #00071
2	2010.01.08	JHK	DF	DF	REVISED AS PER CLIENT - RE-ISSUED FOR CONSTRUCTION
1	2009.12.07	JHK	DF	DF	REVISED AS PER CLIENT - RE-ISSUED FOR CONSTRUCTION
7	2010.05.27	JHK	GH	GH	REVISED AS PER RFDC #00148
6	2010.04.20	JHK	GH	GH	REVISED AS PER RFDC #00144
5	2010.04.12	JHK	DF	DF	REVISED AS PER RFDC #000127
REV	DATE	BY	CHK	APP	DESCRIPTION

DRAWING REVISIONS

REFERENCE DRAWINGS

ITEM	MATERIAL	PART #	DESCRIPTION	MTR #	LENGTH	QTY.
1	-	100365	1/2" 3000 PSI NUTRON T3 NACE TRIM FP BALL VALVE			2
2	316 SS	107910	3"-300/600 ANSI RF SPIRAL WOUND GASKET		-	5
3	SA-106B	119041	1/2" SCH. XXH x 3" NIPPLE			1
4	SA-105N	248832	1/2" CL 6000 THRD 90 ELBOW		64"	1
5	-	395099	METER RUN, 3"-600 ANSI RF, NUFLO JUNIOR ORIFICE, AGA-3C, 12000, ED, LSCUR			1
6	SA-105	410638	1" x 1/2" SCH. XXH SWAGE			1
7	ASTM-193	433778	87M, STUD 5/8" DIA. x 4 1/4" LG			16
8	ASTM-193	529250	87M, STUD 3/4" DIA. x 5" LG			32
9	SA-106B	544433	1/2" x 6" SCH. XXH NIPPLE			1
10	SA-105N	627588	1" CL 6000 THRD HEX PLUG			1
11	ASTM-A194	655055	2HM HEX NUT 3/4" DIA.			64
12	ASTM-A194	696353	2HM HEX NUT 5/8" DIA.			32
13	316 SS	7777116	2"-300/600 ANSI RF SPIRAL WOUND GASKET			2



ISSUED FOR CONSTRUCTION ORIGINAL

ISSUED FOR CONSTRUCTION

DATE: JAN 30 2010

SCALE: 1" = 1'-0"

BY: B. BOYD

APP: B. BOYD

ENCANA CORPORATION
LINE HEATER AND METERING PACKAGE
1.88 MBTU/HR, 67" OD X 240' S/S LINE HEATER
(2) 3"-600 ANSI RF, JR METER RUNS
WELDED PIPE ASSEMBLY

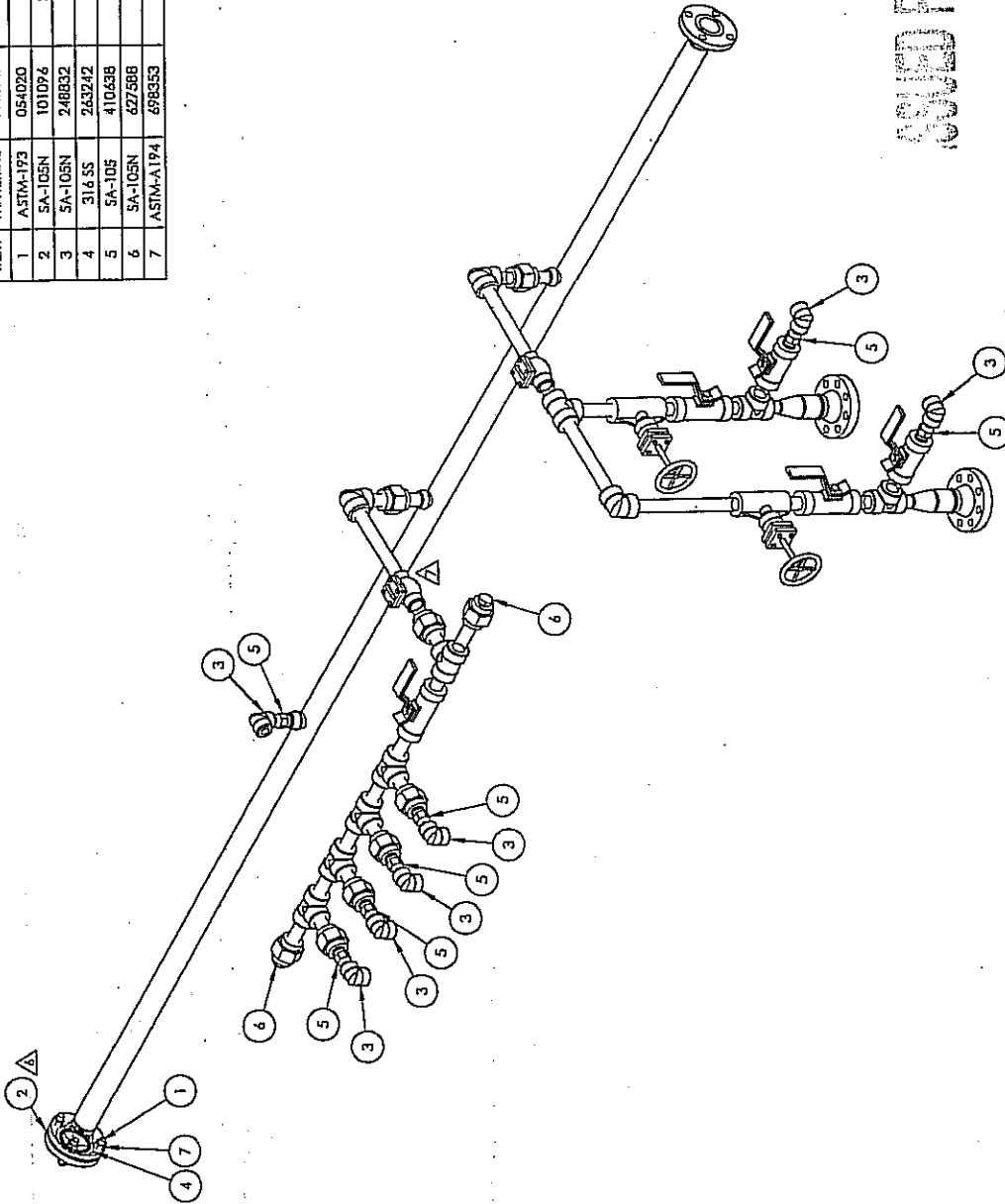
DWN: JHK CHR: GH APP: CT
DATE: 2009.11.24 DATE: 2009.11.24 DATE: 2009.11.24
SCALE: 1" = 1'-0" SHEET: 2 OF 3 DWG: 777377-A REV: 7

REV	DATE	BY	APP	DESCRIPTION
4	2010.03.25	JHK	ETB	REVISED AS PER RFDC #00114
3	2010.03.12	JHK	DF	REVISED AS PER RFDC #00071
2	2010.01.09	JHK	DF	REVISED AS PER CLIENT - RE-ISSUED FOR CONSTRUCTION
1	2009.12.07	JHK	DF	REVISED AS PER CLIENT - RE-ISSUED FOR CONSTRUCTION
7	2010.05.27	JHK	GH	REVISED AS PER RFDC #00148
6	2010.04.20	JHK	GH	REVISED AS PER RFDC #00144
5	2010.04.12	JHK	ETB	REVISED AS PER RFDC #000127

DRAWING REVISIONS

UNLESS OTHERWISE SPECIFIED, ALL DIMENSIONS IN INCHES

ITEM	MATERIAL	PART #	DESCRIPTION	MTR #	LENGTH	QTY.
1	ASTM-193	054020	B7M STUD 5/8" DIA. x 3 1/2" LG.			4
2	SA-105N	101096	2"-150 ANSI RF BLIND 1/2" TAPPED FLANGE			1
3	SA-105N	248832	1/2" CL 6000 THRD 90 ELBOW			7
4	316 SS	263242	2"-150 ANSI RF SPIRAL WOUND GASKET			1
5	SA-105	410438	1" x 1/2" SCH. XXH SWAGE			7
6	SA-105N	627568	1" CL 6000 THRD HEX PLUG			2
7	ASTM-A194	698353	2HM HEX NUT 5/8" DIA.			8



ISSUED FOR CONSTRUCTION ORIGINAL

ENCANA CORPORATION LINE-HEATER AND METERING PACKAGE 1.88 MBTU/HR, 62" OD X 240" S/S LINE-HEATER (2) 3"-600 ANSI RF JR-METER RUNS WELDED PIPE ASSEMBLY	
DWN: JHK	CHK: GH
DATE: 2009.11.24	DATE: 2009.11.24
SCALE: 1:12	APP: CT
SHEET: 3 OF 3	DWG: 777377-A
	REV: 7

NMP
INDUSTRIES, INC.
TOTAL GASKET SUPPLY

P.O. BOX 6280, INNSFAIR, AB T4G 1S9
PH: (403) 227-4100 FAX: (403) 227-4102

THIS DRAWING IS THE PROPERTY OF NMP INDUSTRIES, INC.
AND IS NOT TO BE REPRODUCED, COPIED, OR TRANSMITTED
IN ANY FORM OR BY ANY MEANS, WITHOUT PERMISSION.
THE DRAWING MUST BE RETURNED UPON REQUEST.

ISSUED FOR CONSTRUCTION
DATE: 30/03/2010
REV: 1795
S.D.: 20016

ALL DIMENSIONS IN INCHES

REV	DATE	BY	CHK	APP	DESCRIPTION
4	2010.03.25	JHK	DF	DF	REVISED AS PER BRDC #00114
3	2010.03.12	JHK	DF	DF	REVISED AS PER BRDC #00071
2	2010.01.08	JHK	DF	GH	REVISED AS PER CLIENT - RE-ISSUED FOR CONSTRUCTION
1	2009.12.07	JHK	DF	GH	REVISED AS PER CLIENT - RE-ISSUED FOR CONSTRUCTION
7	2010.05.27	JHK	DF	DF	REVISED AS PER BRDC #00146
6	2010.04.20	JHK	GH	DF	REVISED AS PER BRDC #00144
5	2010.04.12	JHK	DF	DF	REVISED AS PER BRDC #000137

REFERENCE DRAWINGS

ITEM	MATERIAL	PART #	DESCRIPTION	MTR #	LENGTH	QTY.
1	CS	072084	1" 3000 PSI NUTRON T3 STD TRIM RP BALL VALVE			1
2	-	100209	FARRIS RELIEF VALVE 1" X 1" SET @ 150 PSI, NACE TRIM (2200 SERIES)			1
3	SA-105	131991	1/2" CL 6000 THRD HEX PLUG			1
4	-	193978	LOTECH FUEL GAS SCRUBBER 8.5/8" OD X 25 1/2" S/S			1
5	SA-106B	209895	1" X 3" SCH. XH/80 NIPPLE			2
6	SA-105	362671	1" CL 3000 THRD UNION			8
7	SA-106B	610180	1" X 2 1/2" SCH. XH/80 NIPPLE			9
8	SA-105N	627588	1" CL 6000 THRD HEX PLUG			2
9	SA-106B	673640	1" X 4" SCH. XH/80 NIPPLE			2
10	SA-105	681628	1" CL 3000 THRD TEE			4
11	SA-106B	686796	1" SCH. XH/80 PIPE		60.7/8"	1
12	SA-106B	686796	1" SCH. XH/80 PIPE		13 3/8"	1
13	SA-106B	686796	1" SCH. XH/80 PIPE		35.5/16"	1
14	SA-106B	686796	1" SCH. XH/80 PIPE		16"	1
15	SA-106B	686796	1" SCH. XH/80 PIPE		6.5/16"	1
16	SA-36/44W	742597	STEEL ANGLE IRON - 2" X 2" X 1/4"		11"	2
17	SA-106B	746211	3/4" X 2" SCH. XH/80 NIPPLE			1
18	SA-105	752666	1" CL 3000 THRD 90 ELBOW			3
19	SA-105	778134	3/4" CL 3000 THRD 90 ELBOW			2
20	SA-106B	80600B	3/4" SCH. XH/80 PIPE		34 15/16"	1
21	CS	B68205	1" CL 800 ANSI THRD Y-STRAINER (Y5800)			1
22	-	898689	FISHER 627 PRESSURE REGULATORY TRIP TO 150 PSI 2000 MAX WP LTR ORIFICE			1

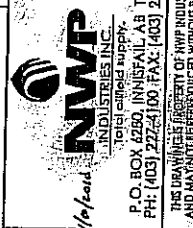
ORIGINAL

NOTES
1. SHOP TO ADJUST NIPPLE LENGTHS AS REQUIRED.

DESIGN DATA	
LINE NUMBER:	FG-T-90AD-301
CLIENT SPECIFICATION:	AB
DESIGN & FABRICATE TO:	ANSI/ASME B31.3 NPS 2008 EDITION
DESIGN PRESSURE:	285 PSI
MAXIMUM DESIGN TEMPERATURE:	100 °F
MINIMUM DESIGN TEMPERATURE:	-20 °F
SERVICE:	HYDROCARBONS
HYDROSTATIC TEST PRESSURE:	427 PSI
JOINT SEALANT:	JET LUBE TF-15
CORROSION ALLOWANCE:	1/16"
G.C. PROGRAM NO.:	AGP-1253

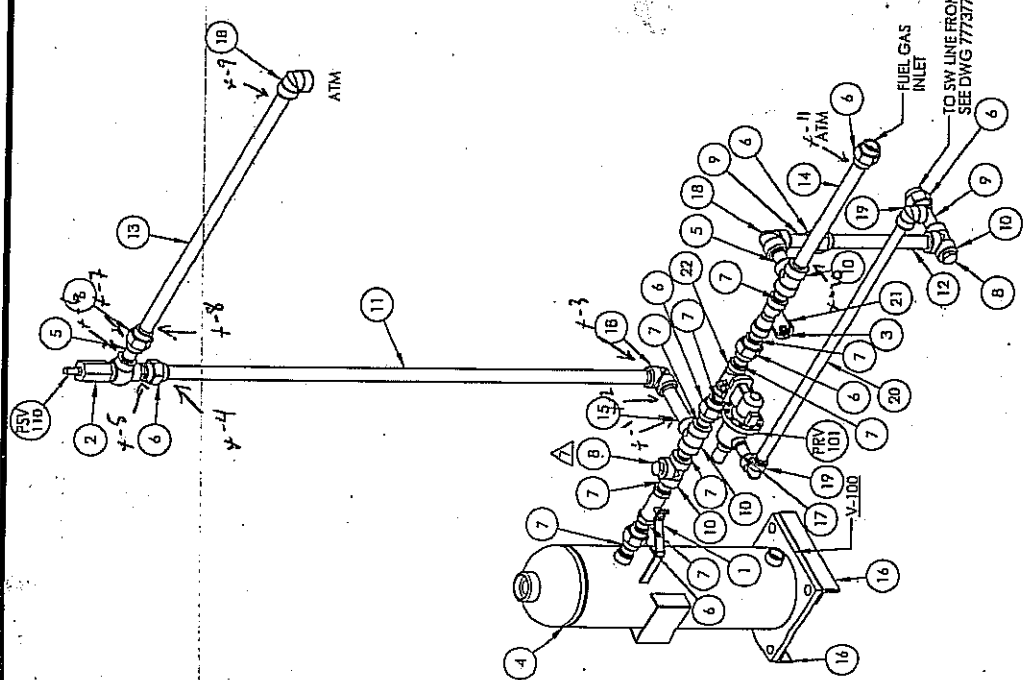
ENGAMA CORPORATION	
LINEHEATER AND METERING PACKAGE	
1.88 MBTU/HR, 62" OD X 240" S/S LINEHEATER	
(2) 3"-600 ANSI RF JR METER RUNS	
THREADED PIPE ARRANGEMENT	
DWG. JHK	/ CHK: DF
DATE: 2009.11.27	DATE: 2009.12.10
SCALE: 1:1	DATE: 2009.12.10
SHEET: 1 OF 8	DWG: 778135
REV: 7	

ISSUED FOR CONSTRUCTION



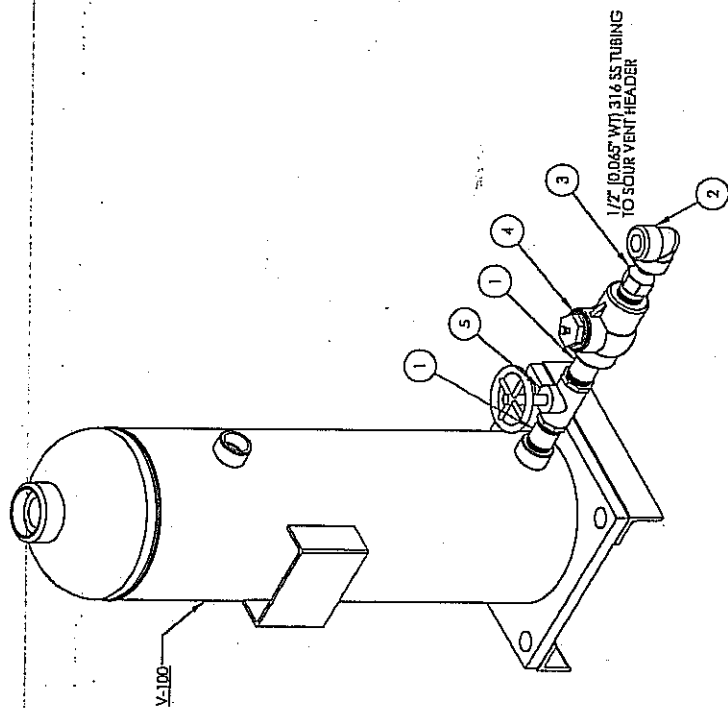
ISSUED FOR CONSTRUCTION
 JUN 30 2010
 17 85
 200106

ALL DIMENSIONS IN INCHES



REVISION	DATE	BY	CHK	APP	DESCRIPTION
6	2010.04.20	JHK	GH	DF	REVISED AS PER RDC #00142
5	2010.03.30	JHK	CW	DF	REVISED AS PER RDC #00119
4	2010.03.15	JHK	EB	DF	REVISED AS PER RDC #00094, 00095
3	2010.01.13	JHK	DF	GH	REVISED AS PER RDC #00034
2	2010.01.11	JHK	DF	GH	REVISED AS PER SHOP - RE-ISSUED FOR CONSTRUCTION
1	2010.01.08	JHK	DF	GH	REVISED AS PER CLIENT - RE-ISSUED FOR CONSTRUCTION
7	2010.06.28	JHK	DF	GH	REVISED AS PER RDC #00205

ITEM	MATERIAL	PART #	DESCRIPTION	MTR #	LENGTH	QTY.
1	SA-106B	209895	1" x 3" SCH. XH/BD NIPPLE			2
2	SA-105N	248332	1/2" CL 6000 THRD 90 ELBOW			1
3	SA-105	410638	1" x 1/2" SCH. XXH SWAGE			1
4	C5	464593	WHEATLEY 1"-2160 PISTONING CHECK VALVE (B20 SERIES)			1
5	-	897954	1" CL 1500 MERIDIAN GLOBE VALVE			1



ORIGINAL

NOTES
1. SHOP TO ADJUST NIPPLE LENGTHS AS REQUIRED.

DESIGN DATA	
LINE NUMBER:	FG-1-B-30AD-303
CLIENT SPECIFICATION:	AB
DESIGN & FABRICATOR:	ANGUS/ASME B31.3 NPS 2008 EDITION
DESIGN PRESSURE:	285 PSI
MAXIMUM DESIGN TEMPERATURE:	100 °F
MINIMUM DESIGN TEMPERATURE:	-20 °F
SERVICE:	HYDROCARBONS
HYDROSTATIC TEST PRESSURE:	427 PSI
JOINT SEALANT:	JET LUBE TF-15
CORROSION ALLOWANCE:	1/16"

ISSUED FOR CONSTRUCTION

DATE: JUN 3 2010
 TIME: 4:17:55
 S.D. 2010/6/3

REV	DATE	BY	CHK	APP	DESCRIPTION
6	2010.04.20	JHK	GH	DF	REVISED AS PER RFD C #00142
5	2010.03.30	JHK	CH	DF	REVISED AS PER RFD C #00119
4	2010.03.15	JHK	EB	DF	REVISED AS PER RFD C #00094, 00095
3	2010.01.13	JHK	DF	GH	REVISED AS PER RFD C #00034
2	2010.01.11	JHK	DF	GH	REVISED AS PER SHOP - RE-ISSUED FOR CONSTRUCTION
1	2010.01.08	JHK	DF	GH	REVISED AS PER CLIENT - RE-ISSUED FOR CONSTRUCTION
7	2010.04.28	JHK	GH	APP	REVISED AS PER RFD C #00205

DOCUMENT NO.	DESCRIPTION
	REFERENCE DRAWINGS

NMP
 INDUSTRIES INC.
 10101 OAKWOOD AVE
 P.O. BOX 6290, MINNEAPOLIS, MN 55408
 (612) 835-4031 / 227-4100 FAX: (612) 227-4102

G.C. PROGRAM NO.: AQP-1253	
ENCANA CORPORATION	LINE HEATER AND METERING PACKAGE
	1.88 MBTU/HR, 62" OD X 240' S/S LINE HEATER
	(2) 3"-600 ANSI RF IR METER RUNS
	THREADED PIPE ARRANGEMENT
DWN: JHK	CHESDF
DATE: 2009.11.27	DATE: 2009.12.10
SCALE: 1" = 16'	DATE: 2009.12.10
SHEET: 2 OF 8	REV: 7

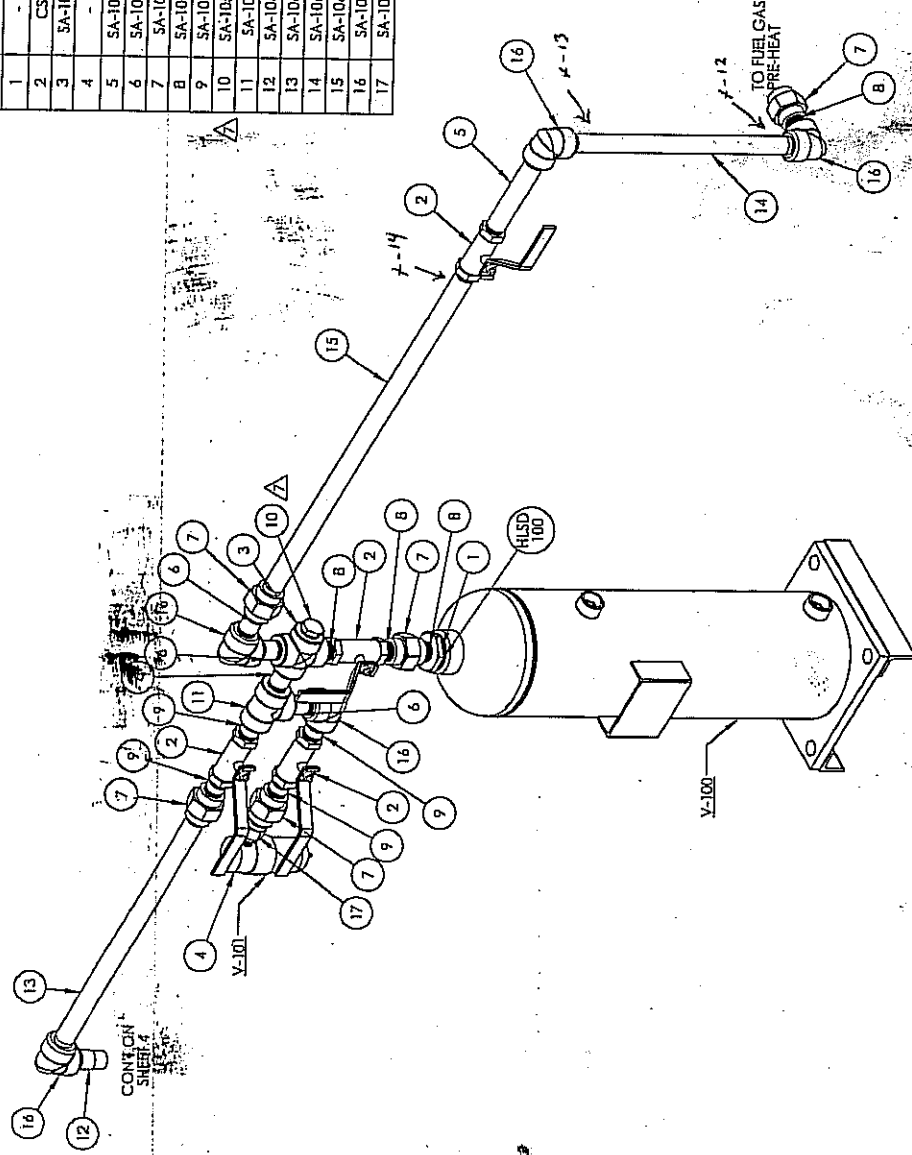
ITEM	MATERIAL	PART #	DESCRIPTION	MTR #	LENGTH	QTY.
1	CS	072084	SCRUBBER FLOAT SWITCH			1
2	SA-105	097921	1" 3000 PSI NUTRON TS STD TRIM RP BALL VALVE			4
3	SA-105	100218	1" CL 3000 THRD CROSS			1
4	SA-106B	197713	FILTER, HEADLINE, MIDL 380A-70, MAWP 230 PSI, 17" NET			1
5	SA-106B	209895	1" x 8" SCH. XH/80 NIPPLE			1
6	SA-106B	362671	1" x 3" SCH. XH/80 NIPPLE			4
7	SA-105	583042	1" CL 3000 THRD UNION			5
8	SA-106B	610180	1" x 2" SCH. XH/80 NIPPLE			4
9	SA-106B	627588	1" x 2 1/2" SCH. XH/80 NIPPLE			4
10	SA-105N	681628	1" CL 6000 THRD HEX PLUG			1
11	SA-105	686796	1" CL 3000 THRD TEE			1
12	SA-106B	686796	1" SCH. XH/80 PIPE		3 1/16"	1
13	SA-106B	686796	1" SCH. XH/80 PIPE		19 15/16"	1
14	SA-106B	686796	1" SCH. XH/80 PIPE		19 1/16"	1
15	SA-106B	686796	1" SCH. XH/80 PIPE		32 1/8"	1
16	SA-105	752666	1" CL 3000 THRD 90 ELBOW			5
17	SA-105	839938	1" x 1/2" SCH. XH/80 SWAGE			1

ORIGINAL

NOTES
1. SHOP TO ADJUST NIPPLE LENGTHS AS REQUIRED.

DESIGN DATA	
LINE NUMBER:	FG-T-B-80AD-3D1
CLIENT SPECIFICATION:	AB
DESIGN & FABRICATE TO:	ANSI/ASME B31.3 NPS 2008 EDITION
DESIGN PRESSURE:	285 PSI
MAXIMUM DESIGN TEMPERATURE:	100 °F
MINIMUM DESIGN TEMPERATURE:	-20 °F
HYDROSTATIC TEST PRESSURE:	427 PSI
JOINT SEALANT:	JET LUBE JT-15
CORROSION ALLOWANCE:	1/16"
G.C. PROGRAM NO.:	AGP-1253

ENCANA CORPORATION LINEHEATER AND METERING PACKAGE	
1.88 MBTU/HR, 62" OD X 240" S/S LINEHEATER (2) 3"-600 ANSI REF JRMETER RUNS THREADED PIPE ARRANGEMENT:	
DMW:	JHK
DATE:	2010.09.11
SCALE:	1" = 8'
SHEET:	3 OF 8



ISSUED FOR CONSTRUCTION

NWP INDUSTRIES INC.
Total and Supply
P.O. BOX 6290, INNSFALL, AB T4G 1S5
PH: (403) 227-4100 FAX: (403) 227-4102

THIS DRAWING IS PROPERTY OF NWP INDUSTRIES INC. AND IS NOT TO BE REPRODUCED OR TRANSMITTED IN ANY FORM OR BY ANY MEANS, ELECTRONIC OR MECHANICAL, INCLUDING PHOTOCOPYING, RECORDING, OR BY ANY INFORMATION STORAGE AND RETRIEVAL SYSTEM.

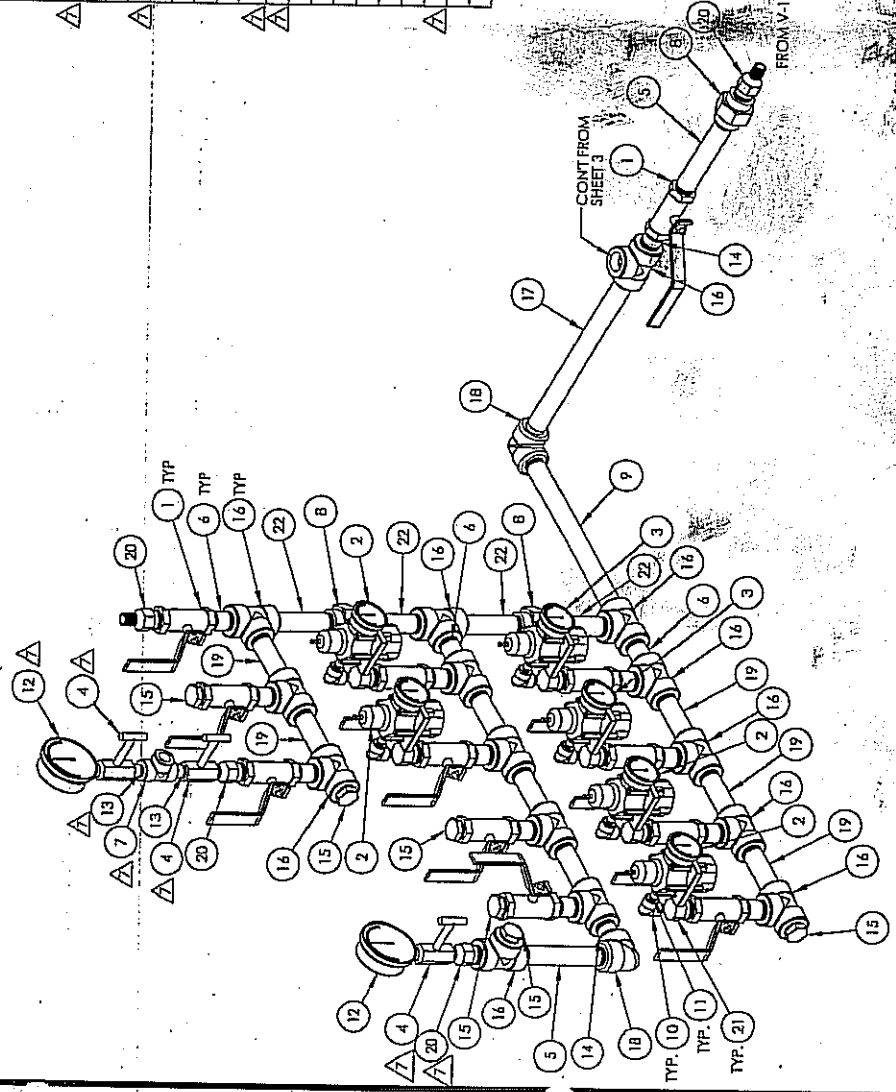
DATE: JUN 30 2010
REV: 200102

DOCUMENT NO.	DESCRIPTION	REV	DATE	BY	CHK	APP
6	REVISED AS PER RFDC #00142	JHK	2010.04.28		GH	DF
5	REVISED AS PER RFDC #00117	JHK	2010.03.30		CW	DF
4	REVISED AS PER RFDC #00094, 00095	JHK	2010.03.15		EB	DF
3	REVISED AS PER RFDC #00034	JHK	2010.01.13		DF	GH
2	REVISED AS PER RFDC #00034	JHK	2010.01.11		DF	GH
1	REVISED AS PER CLIENT - RE-ISSUED FOR CONSTRUCTION	JHK	2010.01.08		DF	GH
7	REVISED AS PER RFDC #00205	JHK	2010.02.28		JK	APP

DRAWING REVISIONS

ALL DIMENSIONS IN INCHES

ITEM	MATERIAL	PART #	DESCRIPTION	MTR #	LENGTH	QTY.
1	CS	0720B4	1" 3000 PSI NUTRON 73 STD TRIM RP BALL VALVE			12
2	STD TRIM	100164	REGULATOR FISHER, 67CFR, 0-60 PSI C/W GAUGE			4
3	STD TRIM	100402	REGULATOR FISHER, 67CFR, 0-125 PSI C/W GAUGE			2
4	SS	101347	AGCO NEEDLE VALVE 1/2" 5000 PSI STRAIGHT SS BODY, HVMDS-40			3
5	SA-106B	197713	1" x 6" SCH. 40/80 NIPPLE			2
6	SA-106B	209895	1" x 3" SCH. 40/80 NIPPLE			13
7	SA-105	301604	1/2" CL 3000 THRD TEE			1
8	SA-105	362671	1" CL 3000 THRD UNION			3
9	SA-106B	345152	1" x 15" SCH. 40/80 NIPPLE			1
10	SA-105	438424	1/4" CL 3000 THRD 90 ELBOW			6
11	SA-106B	444123	1/4" x 2" SCH. 40/80 NIPPLE			2
12	SS	486369	HYDROPOSSE PRESSURE GAUGE, VOL. 402-4" FACE x 1 1/2" NET, 0-250 PSI			2
13	SA-106B	525621	1/2" x 2" SCH. 40/80 NIPPLE			2
14	SA-106B	610180	1" x 2 1/2" SCH. 40/80 NIPPLE			2
15	SA-105N	627588	1" CL 6000 THRD HEX PLUG			6
16	SA-105	681628	1" CL 3000 THRD TEE			15
17	SA-106B	686796	1" SCH. 40/80 PIPE		15 13/16"	1
18	SA-105	752666	1" CL 3000 THRD 90 ELBOW			2
19	SA-106B	785175	1" x 5" SCH. 40/80 NIPPLE			8
20	SA-105	839938	1" x 1/2" SCH. 40/80 SWAGE			4
21	SA-105N	866339	1" x 1/4" SCH. 40/80 SWAGE			6
22	SA-106B	963792	1" x 6" SCH. 40/80 NIPPLE			4



ORIGINAL

NOTES
1. SHOP TO ADJUST NIPPLE LENGTHS AS REQUIRED.

DESIGN DATA	
LINE NUMBER	EG-1-B-80AD-304
CLIENT SPECIFICATION	AS
DESIGN & FABRICATE TO	ANSI/ASME B31.3 NPS 2008 EDITION
DESIGN PRESSURE	285 PSI
MAXIMUM DESIGN TEMPERATURE	100 °F
MINIMUM DESIGN TEMPERATURE	-20 °F
SERVICE	HYDROCARBONS
HYDROSTATIC TEST PRESSURE	427 PSI
JOINT SEALANT	JET LUBE TF-15
CORROSION ALLOWANCE	1/16"

ISSUED FOR CONSTRUCTION

G.C. PROGRAM NO. AQP-1253	
ENCANA CORPORATION	
LINEHEATER AND METERING PACKAGE	
1.88 MBTU/HR. 62" OD X 240' 5/8" LINEHEATER	
(2) 3"-600 ANSI RF, JR METER RUNS	
THREADED PIPE ARRANGEMENT	
DWYN. JHK	CHK. DF
DATE: 2009.11.27	DATE: 2009.12.10
SCALE: 1" = 10'	APP: GH
REV: 1	DWG: 78135
REV: 7	

NWP INDUSTRIES INC.
Total field supply.
P.O. BOX 6280, MINNEAPOLIS, MN 55419
PH: (403) 222-4100 FAX: (403) 222-4102

THIS DRAWING IS PROPERTY OF NWP INDUSTRIES INC. AND MAY NOT BE REPRODUCED WITHOUT PERMISSION. THIS DRAWING MUST BE RETURNED UPON REQUEST.

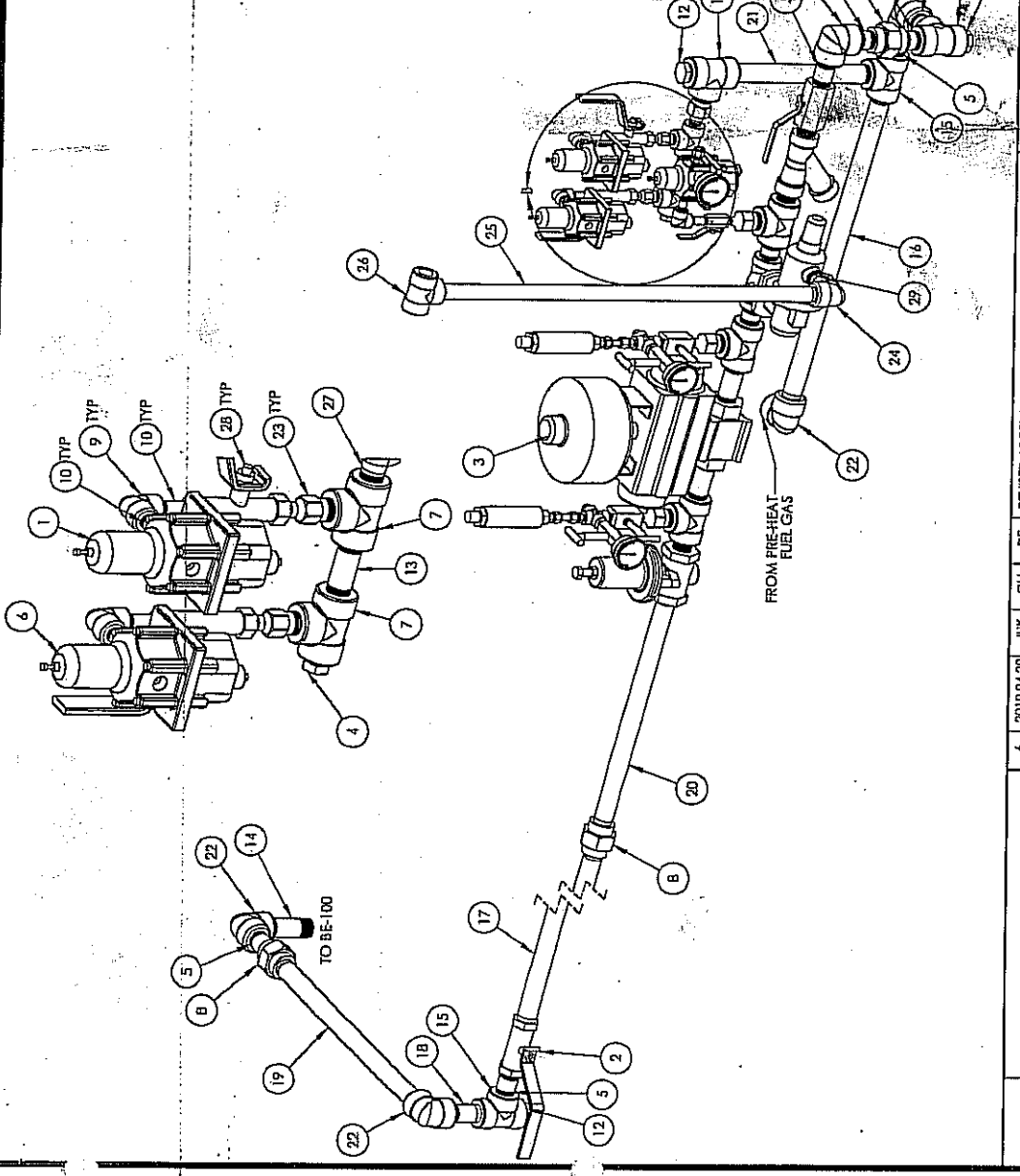
REV	DATE	BY	CHK	APP	DESCRIPTION
6	2010.04.20	JHK	GH	DF	REVISED AS PER RFDG #00142
5	2010.03.30	JHK	CW	DF	REVISED AS PER RFDG #00117
4	2010.02.15	JHK	EB	DF	REVISED AS PER RFDG #00094, #00095
3	2010.01.13	JHK	DF	GH	REVISED AS PER RFDG #00084
2	2010.01.11	JHK	DF	GH	REVISED AS PER SHOP - RESUBMITTED FOR CONSTRUCTION
1	2010.01.08	JHK	DF	GH	REVISED AS PER CLIENT - RESUBMITTED FOR CONSTRUCTION
7	2010.06.28	JHK	GH	APP	REVISED AS PER RFDG #00205

DOCUMENT NO.	DESCRIPTION
	REFERENCE DRAWINGS

ITEM	MATERIAL	PART #	DESCRIPTION	LENGTH	QTY.
1	-	048253	BELLOFRAM PRESSURE REGULATOR TYPE 50 0-30 PSI	-	1
2	CS	072084	1" 3000 PSI NUTRON T3 STD TRIM RP BALL VALVE	-	1
3	-	100891	VALVE TRIM (RIGHT TO LEFT) ENCARNA SPEC	-	1
4	SA-105	131971	1/2" CL 6000 THRD HEX PLUG	-	1
5	SA-106B	207895	1" x 3" SCH. XH/80 NIPPLE	-	4
6	-	249192	BELLOFRAM PRESSURE REGULATOR TYPE 50 0-120 PSI	-	1
7	SA-105	301404	1/2" CL 3000 THRD TEE	-	2
8	SA-105	362871	1" CL 3000 THRD UNION	-	3
9	SA-105	438424	1/4" CL 3000 THRD 90 ELBOW	-	2
10	SA-106B	441123	1/4" x 2" SCH. XH/80 NIPPLE	-	4
11	SA-106B	610180	1" x 2 1/2" SCH. XH/80 NIPPLE	-	3
12	SA-105N	627588	1" CL 6000 THRD HEX PLUG	-	3
13	SA-106B	640311	1/2" x 3" SCH. XH/80 NIPPLE	-	1
14	SA-106B	673640	1" x 4" SCH. XH/80 NIPPLE	-	1
15	SA-105	681828	1" CL 3000 THRD TEE	-	4
16	SA-106B	686796	1" SCH. XH/80 PIPE	25 3/8"	1
17	SA-106B	686796	1" SCH. XH/80 PIPE	20 3/8"	1
18	SA-106B	686796	1" SCH. XH/80 PIPE	3 7/16"	1
19	SA-106B	686796	1" SCH. XH/80 PIPE	21 1/2"	1
20	SA-106B	686796	1" SCH. XH/80 PIPE	19 1/16"	1
21	SA-106B	711561	1" x 1/2" SCH. XH/80 NIPPLE	-	1
22	SA-105	752666	1" CL 3000 THRD 90 ELBOW	-	5
23	SA-105	769584	1/2" x 1/4" SCH. XH/80 SWAGE	-	2
24	SA-105	778134	3/4" CL 3000 THRD 90 ELBOW	-	1
25	SA-106B	806008	3/4" SCH. XH/80 PIPE	31 1/8"	1
26	SA-105	822225	1" x 1/2" SCH. XH/80 SWAGE	-	1
27	SA-105	833938	1" CL 3000 THRD TEE	-	1
28	CS	897613	1" 3000 PSI NUTRON T3 STD TRIM RP BALL VALVE	-	1
29	SA-106B	970321	3/4" x 2" SCH. XH/80 NIPPLE	-	2

DESIGN DATA	
LINE NUMBER	EG-1-B-80AD-305
CLIENT SPECIFICATION	AB
DESIGN & FABRICATE TO	ANSI/ASME B31.1 NF 2008 EDITION
DESIGN PRESSURE	285 PSI
MAXIMUM DESIGN TEMPERATURE	100 °F
MINIMUM DESIGN TEMPERATURE	-20 °F
SERVICE	HYDROCARBONS
HYDROSTATIC TEST PRESSURE	427 PSI
JOINT SEALANT	JET LUBE TF-15
CORROSION ALLOWANCE	1/16"
G.C. PROGRAM NO.	ADP-1233

ENCARNA CORPORATION	
LINE HEATER AND METERING PACKAGE	
1.88 MBTU/HR. 62" OD X 240' S/S LINE HEATER	
(2) 3" 400 ANSI RF IR METER RUNS	
THREADED PIPE ARRANGEMENT	
DWN: JHK	CHK: DF
DATE: 2009.11.27	DATE: 2009.12.10
SCALE: 1/8"	APP: GH
SHEET: 5 OF 8	DWG: 79135
REV: 7	



ISSUED FOR CONSTRUCTION

DATE: 11/27/09

NO: 1786

ENCARNA CORPORATION

REV	DATE	BY	CHK	APP	DESCRIPTION
6	2010.04.20	JHK	GH	DF	REVISED AS PER RFD# #00142
5	2010.03.30	JHK	GH	DF	REVISED AS PER RFD# #00119
4	2010.03.15	JHK	EB	DF	REVISED AS PER RFD# #00094, #00095
3	2010.01.13	JHK	DF	GH	REVISED AS PER RFD# #00034
2	2010.01.11	JHK	DF	GH	REVISED AS PER SHOP - RE-ISSUED FOR CONSTRUCTION
1	2010.01.09	JHK	DF	GH	REVISED AS PER CLIENT - RE-ISSUED FOR CONSTRUCTION
7	2010.05.28	JHK	DF	APP	REVISED AS PER RFD# #00085

REFERENCE DRAWINGS

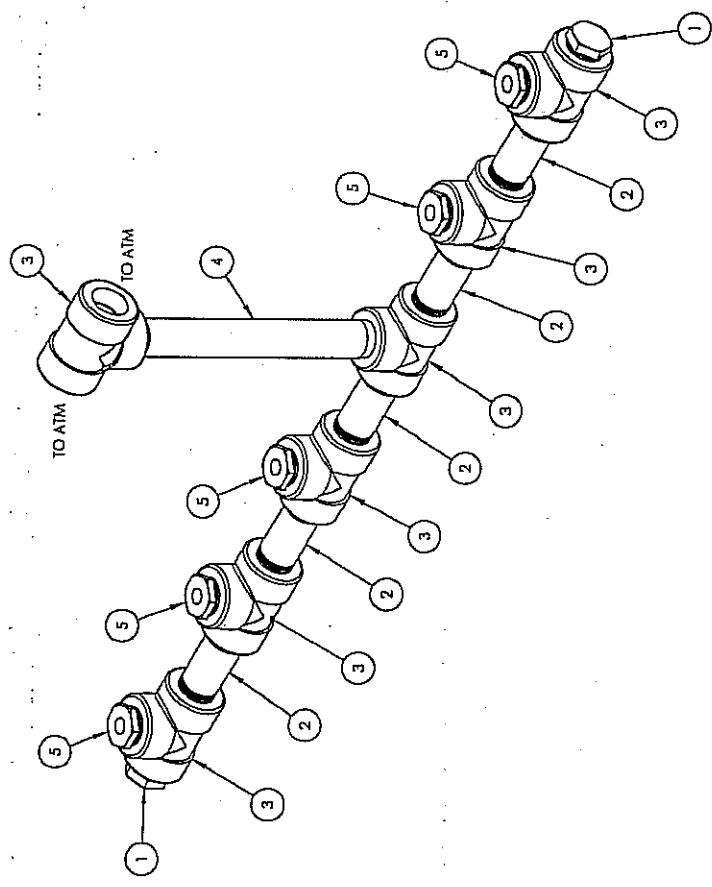
DRAWING REVISIONS

ALL DIMENSIONS IN INCHES

NOTES

1. SHOP TO ADJUST NIPPLE LENGTHS AS REQUIRED.

ITEM	MATERIAL	PART #	DESCRIPTION	MTR #	LENGTH	QTY.
1	SA-105N	627588	1" CL 6000 THRD HEX PLUG			2
2	SA-106B	673640	1" x 4" SCH. 40/80 NIPPLE			5
3	SA-105	681628	1" CL 3000 THRD TEE			7
4	SA-106B	686776	1" SCH. 40/80 PIPE		10 13/16"	1
5	SA-105N	706720	1" x 1/4" FS THRD HEX BUSHING			5



ORIGINAL

NOTES
1. SHOP TO ADJUST NIPPLE LENGTHS AS REQUIRED.

DESIGN DATA	
LINE NUMBER:	FG-1"-B-30AD-306
CLIENT SPECIFICATION:	AB
DESIGN & FABRICATE TO:	ANSI/ASME B31.3 NPS 2008 EDITION
DESIGN PRESSURE:	285 PSI
MAXIMUM DESIGN TEMPERATURE:	100°F
MINIMUM DESIGN TEMPERATURE:	-20°F
SERVICE:	HYDROCARBONS
HYDROSTATIC TEST PRESSURE:	427 PSI
JOINT SEALANT:	JET LUBE TF-15
CORROSION ALLOWANCE:	1/16"
G.C. PROGRAM NO.:	ADP-1253

ISSUED FOR CONSTRUCTION

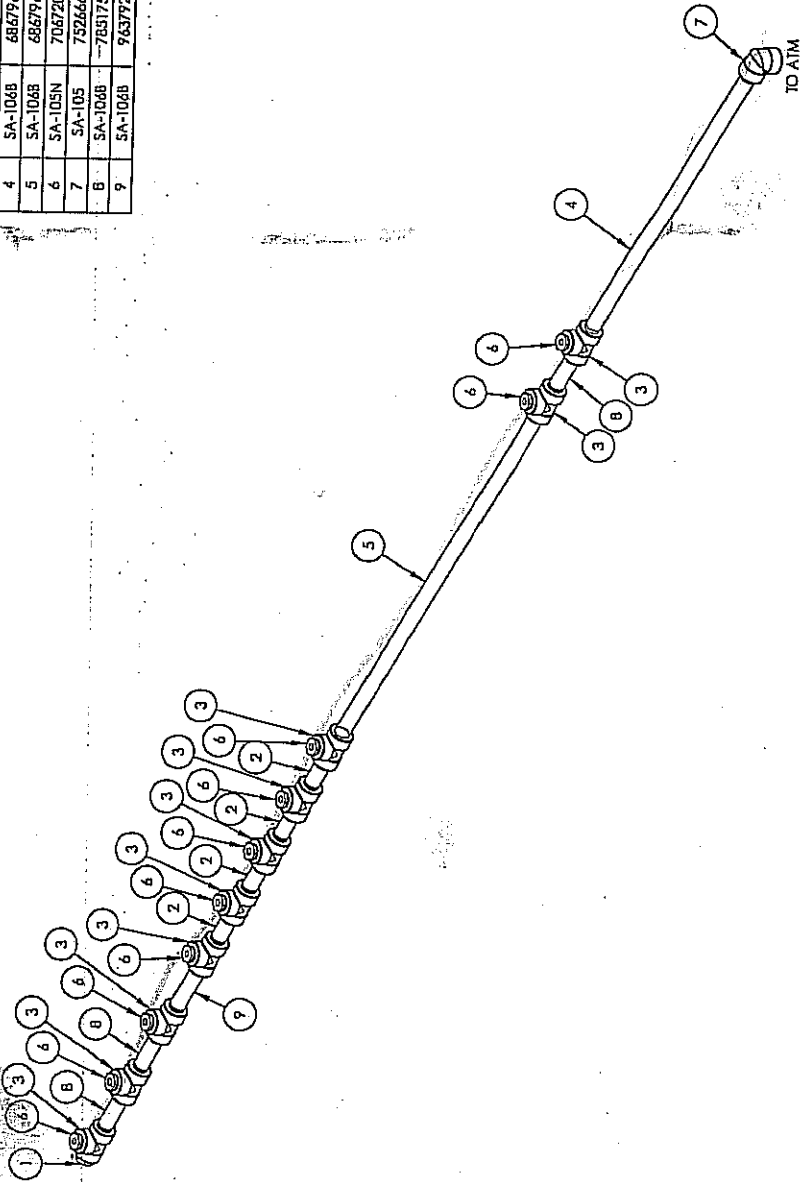
ISSUED FOR CONSTRUCTION
 SIGNED: *[Signature]*
 DATE: JUN 3 2010
 TIME: 17:05
 I.D.: *[Signature]*
 ALL DIMENSIONS IN INCHES

REV	DATE	BY	CHK	APP	DESCRIPTION
6	2010.04.20	JHK	GH	DF	REVISED AS PER RFDG #00142
5	2010.03.30	JHK	CW	DF	REVISED AS PER RFDG #00119
4	2010.03.15	JHK	EB	DF	REVISED AS PER RFDG #00094, 00095
3	2010.01.13	JHK	DF	GH	REVISED AS PER RFDG #00034
2	2010.01.11	JHK	DF	GH	REVISED AS PER SHOP - RE ISSUED FOR CONSTRUCTION
1	2010.01.08	JHK	DF	GH	REVISED AS PER CLIENT - RE ISSUED FOR CONSTRUCTION
7	2010.04.20	JHK	GH	APP	REVISED AS PER RFDG #00208

NMP INDUSTRIES INC.
 - TOOLING SUPPLY -
 P.O. BOX 6280, INSTANT, AB T4G 1S9
 PH: (403) 227-4100 FAX: (403) 227-4102
 THIS DRAWING IS PROPERTY OF NMP INDUSTRIES INC. AND MAY NOT BE REPRODUCED WITHOUT PERMISSION. THIS DRAWING MUST BE RETURNED UPON REQUEST.

ENCAMA CORPORATION	
LINEHEATER AND METERING PACKAGE	
(2) 3"-600 ANSI RF JR METER RUNS	
THREADED PIPE ARRANGEMENT	
DWN: JHK	CHK: DF
DATE: 2009.11.27	DATE: 2009.12.10
SCALE: 1:4	APP: GH
SHEET: 6 OF 8	DATE: 2009.12.10
DWG: 770135	REV: 7

ITEM	MATERIAL	PART #	DESCRIPTION	MTR #	LENGTH	QTY.
1	SA-105N	62758B	1" CL 4000 THRD HEX PLUG			1
2	SA-106B	673640	1" x 4" SCH. XH/80 NIPPLE			4
3	SA-105	68162B	1" CL 3000 THRD TEE			10
4	SA-106B	686796	1" SCH. XH/80 PIPE		32 3/16"	1
5	SA-106B	686796	1" SCH. XH/80 PIPE		39 7/8"	1
6	SA-105N	706720	1" x 1/4" FS THRD HEX BUSHING			10
7	SA-105	752666	1" CL 3000 THRD 90 ELBOW			1
8	SA-106B	763175	1" x 5" SCH. XH/80 NIPPLE			3
9	SA-106B	963792	1" x 6" SCH. XH/80 NIPPLE			1



ORIGINAL

NOTES
1. SHOP TO ADJUST NIPPLE LENGTHS AS REQUIRED.

DESIGN DATA	
LINE NUMBER:	FG-1-B-80AD-307
CLIENT SPECIFICATION:	AS
DESIGN & FABRICATE TO:	ANSI/ASME B31.3 NPS 2008 EDITION
DESIGN PRESSURE:	285 PSI
MAXIMUM DESIGN TEMPERATURE:	100 °F
MINIMUM DESIGN TEMPERATURE:	-20 °F
SERVICE:	HYDROCARBONS
HYDROSTATIC TEST PRESSURE:	427 PSI
JOINT SEALANT:	JET LUBE TF-15
CORROSION ALLOWANCE:	1/16"
G.C. PROGRAM NO.:	AGP-1253

ENGANA CORPORATION	
LINE HEATER AND METERING PACKAGE	
1.88 MBTU/HR, 62" OD x 240" S/S LINE HEATER	
(2) 3"-600 ANSI RF JR METER RUNS	
THREADED PIPE ARRANGEMENT	
DWN: JHK	CHK: DF
DATE: 2009.11.27	DATE: 2009.12.10
SCALE: 1:10	DATE: 2009.12.10
SHEET: 7 OF 8	REV: 7

GOOD FOR CONSTRUCTION

ISSUED FOR CONSTRUCTION

DATE: 10/30/2010

BY: JHK

APP: DF

SCALE: 1" = 17' 8"

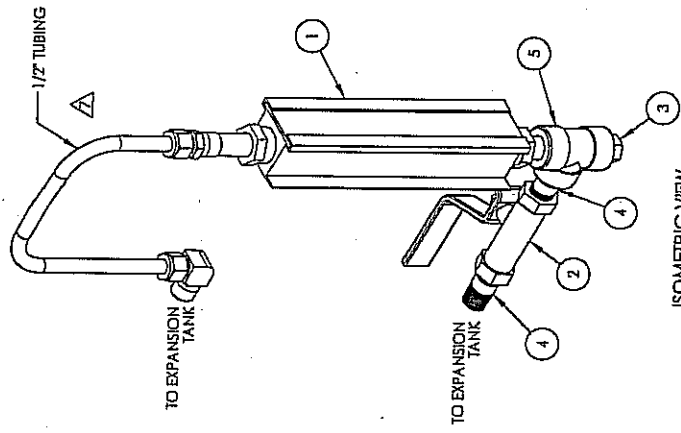
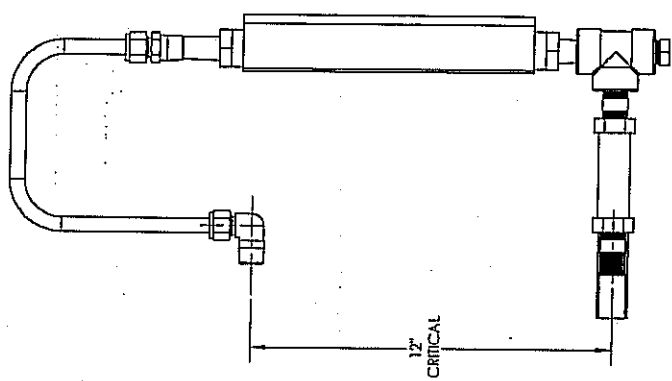
ALL DIMENSIONS IN INCHES

NWP INDUSTRIES INC.
 TECHNICAL SUPPORT
 P.O. BOX 6280, MINNEAPOLIS, MN 55418
 PH: (403) 227-4100 FAX: (403) 227-4102

THIS DRAWING IS PROPERTY OF NWP INDUSTRIES INC. AND MAY NOT BE REPRODUCED WITHOUT PERMISSION. THE DRAWING MUST BE RETURNED UPON REQUEST.

REV	DATE	BY	CHK	APP	DESCRIPTION
4	2010.04.20	JHK	GH	DF	REVISED AS PER RFDG #00142
5	2010.03.30	JHK	CW	DF	REVISED AS PER RFDG #00119
4	2010.03.15	JHK	ETB	DF	REVISED AS PER RFDG #00094, 00095
3	2010.01.13	JHK	DF	GH	REVISED AS PER RFDG #00034
2	2010.01.11	JHK	DF	GH	REVISED AS PER SHOP - RE-ISSUED FOR CONSTRUCTION
1	2010.01.08	JHK	DF	GH	REVISED AS PER CLIENT - RE-ISSUED FOR CONSTRUCTION
7	2010.06.28	JHK	GH	APP	REVISED AS PER RFDG #00035

ITEM	MATERIAL	PART #	DESCRIPTION	MTR #	LENGTH	QTY.
1	-	101084	RATE GAUGE, KENCO 1/2" RPT W/CL 5700B-C-FRH, 1/2" OAI			1
2	CS	112056	1/2" 3000 PSI NUTRON T3 STD. TRIM-LP-BALL VALVE			1
3	SA-105	131991	1/2" CL 6000 THRD HEX PLUG			1
4	SA-106B	525621	1/2" X 2" SCH. 40 RD NIPPLE			2
5	SA-105	301404	1/2" CL 3000 THRD TEE			1



ISSUED FOR CONSTRUCTION
ORIGINAL

REV	DATE	BY	CHK	APP	DESCRIPTION
6	2010.04.20	JHK	GH	DF	REVISED AS PER RFDC #00142
5	2010.03.30	JHK	CW	DF	REVISED AS PER RFDC #00117
4	2010.03.15	JHK	ETB	DF	REVISED AS PER RFDC #0009A, 0009S
3	2010.01.13	JHK	DF	GH	REVISED AS PER RFDC #00034
2	2010.01.11	JHK	DF	GH	REVISED AS PER SHOP - RE-ISSUED FOR CONSTRUCTION
1	2010.01.08	JHK	DF	GH	REVISED AS PER CLIENT - RE-ISSUED FOR CONSTRUCTION
7	2010.06.28	JHK	GH	APP	REVISED AS PER RFDC #00205
REV	DATE	BY	CHK	APP	

ENCANA CORPORATION LINEHEATER AND METERING PACKAGE 1.88 MBTU/HR, 62" OD X 240" S/S LINEHEATER (2) 3"-600 ANSI RF JR METER RUNS THREADED PIPE ARRANGEMENT	DWN: JHK CHR: DF DATE: 2009.11.27 DATE: 2009.12.10
INDUSTRIES INC. Total offsite supply. P.O. BOX 6280, MINISTAIL, AB T4G 1S9 PH: (403) 227-4100 FAX: (403) 227-4102	SCALE: 1:4 SHEET: 8 OF 8 DWG: 778135
THIS DRAWING IS PROPERTY OF NWP INDUSTRIES INC. AND MAY NOT BE REPRODUCED OR TRANSMITTED IN ANY FORM OR BY ANY MEANS, ELECTRONIC OR MECHANICAL, WITHOUT PERMISSION. THIS DRAWING MUST BE RETURNED UPON REQUEST.	REV: 7