

ENCANA PO# P060305

NWP UNIT	LSD
09391-001	A16-28-79-17 W6M
09391-002	B16-28-79-17 W6M
09391-003	C16-28-79-17 W6M
09391-004	1-36-80-18 W6M
09391-005	A1-36-80-18 W6M
09391-006	B1-36-80-18 W6M
09391-007	C1-36-80-18 W6M
09391-008	b-73-C/93-P-9
09391-009	b-A73-C/93-P-9
09391-010	b-36-A/93-P-9
09391-011	b-A36-A/93-P-9

REV	DATE	BY	CHK	APP	DESCRIPTION
0	JUN 11/15	SW			ISSUED FOR CONSTRUCTION
DRAWING REVISIONS					

ISSUED FOR CONSTRUCTION

SIGNED: *[Signature]*
 DATE: June 24, 2015
 W.O.: 09391-001
 S/N: NWP-09391-001

NWP INDUSTRIES LP

P.O. BOX 6280, INNISFAIL, AB T4G 1S9
 PH: (403) 227-4100 FAX: (403) 227-4102

SCALE: N.T.S.
 WEIGHT: (APPROX LBS)

ENCANA CORPORATION
 LINEHEATER PACKAGE
 3.0 MMBTU/HR 72" O.D. x 288" S/S

PIPING AND INSTRUMENTATION DIAGRAM

DWN: SW	CHK: <i>[Signature]</i>	APP: <i>[Signature]</i>
DATE: JUN 11/15	DATE: JUN 17 2015	DATE: JUN 12 2015
SHEET: 1 OF 2	DWG: 09391-001-P-000	REV: 0

LINE TYPE LEGEND

- MAJOR PROCESS LINE
- UTILITY LINE
- BUILDING LIMITS
- ENCLOSURE LIMITS
- ALTERNATE LIMITS
- CUST/VENDOR SUPPL. LIMITS
- HIDDEN LINE
- EQUIPMENT OUTLINE
- INSTRUMENT PNEUMATIC LINE
- PROCESS/UTILITY TUBING LINE
- INSTRUMENT CAPILLARY LINE
- ELECTRICAL DATALINK LINE
- ELECTRICAL CONNECTION LINE
- HYDRAULIC LINE
- MECHANICAL LINK LINE

VALVE SYMBOL LEGEND

- BALL VALVE
- SPRING RETURN BALL VALVE
- GLOBE VALVE
- GATE VALVE
- CHECK VALVE
- PLUG VALVE
- NEEDLE VALVE
- INLINE CHOKE VALVE
- 4-WAY VALVE
- 3-WAY VALVE
- BUTTERFLY VALVE
- BASKET/CONE STRAINER
- TEE STRAINER
- Y STRAINER
- RUPTURE DISC
- PRESSURE RELIEF VALVE
- ANGLE VALVE
- ANGLE CHOKE VALVE
- GAUGE VALVE
- BLOCK & BLEED NEEDLE VALVE
- MULTIPOINT MANIFOLD

VALVE CONNECTION LEGEND

- THRD VALVE
- THRD/SW VALVE
- SW VALVE
- FLANGED VALVE

TOPWORKS SYMBOL LEGEND

- DIAPHRAGM ACTUATOR
- ACTUATOR WITH HANDWHEEL
- ACTUATOR WITH POSITIONER
- REGULATOR WITH HANDWHEEL
- BACK PRESS. REGULATOR
- PRESS. REDUCING REGULATOR
- PISTON ACTUATOR
- ACTUATOR WITH POSITIONER
- ROTARY PISTON ACTUATOR
- ROTARY MOTOR ACTUATOR
- SOLENOID

METERING

- METER RUN
- ORIFICE METER
- FLOW CONDITIONER
- VORTEX METER
- POSITIVE DISPLACEMENT METER
- TURBINE/PROPELLER METER
- MASS FLOW METER
- FLOW INDICATOR

MISC SYMBOLS LEGEND

- FLANGE / BLIND FLANGE
- BW CAP / THRD CAP
- UNION
- TOL/CPLG w/PLUG
- BREAK
- CONCENTRIC REDUCER
- CONCENTRIC SWAGE
- ECC REDUCERS
- SKID EDGE SCARFED VENT
- FLEXIBLE HOSE
- CAMLOCK CONNECTION
- SPEC. BLIND-CLOSED/OPEN
- PIPE/TUBING FLOW ARROW
- SPEC/RESPONSIBILITY BREAK
- FLANGED NOZZLE
- MANWAY
- PANEL LOAD
- GROUND
- SKID DRAIN
- PIG BAR

MISC TAG SYMBOL LEGEND

- IG 1 INSTR. GAS TO AND FROM
- IA 1 INSTR. AIR TO AND FROM
- RTU RTU
- I/P 1 I/P ELECTRO PNEUMATIC

CONNECTION INDICATOR/PAGE CONTINUATOR

LIGHT

SPEED CONTROL

SWITCHING VALVE (AMOT)

CONSTRUCTION REVISIONS

MUFFLER

GENERAL NOTES

- SHOP INSTALL ADDITIONAL PIPE SUPPORTS WHERE REQ'D.
- SHIP LOOSE ITEMS TO BE BOXED AND SEALED PRIOR TO SHIPMENT.
- PLUG AND PROTECT ALL OUTLETS PRIOR TO SHIPMENT.
- ROUTE PIPING TO ENSURE NO LIQUID TRAPS.
- ALL PIPING MATERIAL TO BE STANDARD TEMP U.N.O.
- HYDROTEST PROCESS PIPING TO 1.5 x M.A.W.P.
- ALL PIPING AND PROCESS TUBING LINES TO BE TESTED PER ASME B31.3 NFS.
- INSTRUMENT SUPPLY LINES TO BE TESTED PER ABSA AB-522 DIRECTIVE.
- INSTALL 3/4" COUPLING 2 PIPE DIAMETERS UP FROM FIRETUBE CENTERLINE.

CUSTOMER NOTES

- VENT TERMINATIONS MUST HAVE SCREENS AND POINT DOWNWARDS.
- ACL DRIVERS MAY BE SUPPLIED FOR LOW WATTAGE APPLICATIONS.
- VENTS TO BE ORIENTED AWAY FROM PERSONNEL.
- CAAT C.A. 1.0 mm
- MAAT C.A. 1.0 mm
- CAB C.A. 1.6 mm
- ELECTRICAL BY NWP.

REV A ABBREVIATIONS

ASSY - ASSEMBLY	HPV - HIGH POINT VENT	MISC. - MISCELLANEOUS
ATM - ATMOSPHERE	HS - HYDRAULIC SUPPLY	PD - POSITIVE DISPLACEMENT
BBL - BARREL	HT - HEAT TRACE	P/A - PNEUMATIC TO CURRENT
BD - BLOWDOWN	IA - INSTRUMENT AIR	P/L - PIPELINE
BTU - BRITISH THERMAL UNITS	ID - INSIDE DIAMETER	PLC - PROGRAMMABLE LOGIC CONTR.
CC - CORROSION COUPON	IG - INSTRUMENT GAS	PO - PUMP OUT
CP - CORROSION PROBE	I/P, PT - INJECTION POINT	RF - RAISED FACE
CSC - CAR SEAL CLOSED	I/P - CURRENT TO PNEUMATIC	RO - RESTRICTION ORIFICE
CSO - CAR SEAL OPEN	I/S - INSIDE	RP - REDUCED PORT
c/w - COMPLETE WITH	LLL - LOW LIQUID LEVEL	RTU - RING TYPE JOINT
DBAB - DOUBLE BLOCK & BLEED	LPD - LOW POINT DRAIN	RTU - REMOTE TRANSMITTING UNIT
ESD - EMERGENCY SHUTDOWN	LSD - LEGAL SUBDIVISION	SP - SAMPLE POINT
ET - ELECTRICAL TRACE	MANP - MAX. ALLOW. WORK PRES.	s/c - SHOP COAT
FC - FAIL CLOSE	MONT - MIN. DESIGN METAL TEMP.	SG - SPECIFIC GRAVITY
FFSD - FAIL CLOSE	MCC - MOTOR CONTROL CENTER	SS - STAINLESS STEEL
FO - FAIL OPEN	MISC. - MISCELLANEOUS	S/S - SEAM TO SEAM
FRO - FLOAT RELEASE DEVICE	NC - NORMALLY CLOSED	TK - TANK
FP - FULL PORT	NLL - NORMAL LIQUID LEVEL	T/T - TANGENT TO TANGENT
GO - GEAR OPERATED	NO - NORMALLY OPEN	UNO - UNLESS NOTED OTHERWISE
GT - GLYCOL TRACE	NTS - NOT TO SCALE	VH - VENT HEADER
HC - HOSE CONNECTION	OD - OUTSIDE DIAMETER	ZSC - POSITION/LIMIT SWITCH CLOSE
HLL - HIGH LIQUID LEVEL	O/S - OUTSIDE	ZSO - POSITION/LIMIT SWITCH OPEN

INSTRUMENTATION IDENTIFICATION AS PER ANSI/ISA-5.1-2009

LETTER	FIRST LETTERS		SUCCEEDING LETTERS		
	COLUMN 1	COLUMN 2	COLUMN 3	COLUMN 4	COLUMN 5
	MEASURED/INITIATING VARIABLE	VARIABLE MODIFIER	READOUT/PASSIVE FUNCTION	OUTPUT/ACTIVE FUNCTION	FUNCTION MODIFIER
A	ANALYSIS		ALARM		
B	BURNER, COMBUSTION		USER'S CHOICE	USER'S CHOICE	USER'S CHOICE
C	USER'S CHOICE			CONTROL	CLOSE
D	USER'S CHOICE	DIFFERENCE, DIFFERENTIAL			DEVIATION
E	VOLTAGE		SENSOR, PRIMARY ELEMENT		
F	FLOW, FLOW RATE	RATIO			
G	USER'S CHOICE		GLASS, GAUGE, VIEWING DEVICE		
H	HAND				HIGH
I	CURRENT		INDICATE		
J	POWER		SCAN		
K	TIME, SCHEDULE	TIME RATE OF CHANGE		CONTROL STATION	
L	LEVEL				LOW
M	USER'S CHOICE				MIDDLE, INTERMEDIATE
N	USER'S CHOICE		USER'S CHOICE	USER'S CHOICE	USER'S CHOICE
O	USER'S CHOICE		ORIFICE, RESTRICTION		OPEN
P	PRESSURE		POINT (TEST CONNECTION)		
Q	QUANTITY	INTEGRATE, TOTALIZE	INTEGRATE, TOTALIZE		
R	RADIATION		RECORD		RUN
S	SPEED, FREQUENCY	SAFETY		SWITCH	STOP
T	TEMPERATURE			TRANSMIT	
U	MULTIVARIABLE		MULTIFUNCTION	MULTIFUNCTION	
V	VIBRATION, MECHANICAL ANALYSIS			VALVE, DAMPER, LOUVER	
W	WEIGHT, FORCE		WELL, PROBE		
X	UNCLASSIFIED	X-AXIS	ACCESSORY DEVICES, UNCLASSIFIED	UNCLASSIFIED	UNCLASSIFIED
Y	EVENT, STATE, PRESENCE	Y-AXIS		AUXILIARY DEVICES	
Z	POSITION, DIMENSION	Z-AXIS, SAFETY INSTRUMENTED SYSTEM		DRIVER, ACTUATOR, UNCLASSIFIED FINAL CONTROL ELEMENT	

REV A.1 VALVE TAGGING

XX XXX XX

BALL VALVE (FULL PORT) - BF	025 - 1/4"	G - GAS SERVICE
BALL VALVE (REG. PORT) - BR	038 - 3/8"	H - HIGH PRESSURE
BUTTERFLY VALVE - BU	050 - 1/2"	L - LOW TEMP.
CHECK VALVE (BALL) - CB	075 - 3/4"	N - NACE
CHECK VALVE (PISTON) - CP	100 - 1"	Z - BOM CLARIFIER (1,2,...)
CHECK VALVE (SWING) - CS	200 - 2"	
CHECK VALVE (WAFFER) - CW	201 - 2" 150 ANSI	
GATE VALVE - GA	303 - 3" 300 ANSI	
GLOBE VALVE - GL	406 - 4" 600 ANSI	
STRAINER (BASKET) - SB	609 - 6" 900 ANSI	
STRAINER (T) - ST	815 - 8" 1500 ANSI	
STRAINER (Y) - SY	1025 - 10" 2500 ANSI	
SWAGelok - SW		
NEEDLE VALVE (FEMALE x FEMALE) - NF		
NEEDLE VALVE (MALE x FEMALE) - NM		
MANIFOLD - MF		

REV A.1 LINE TAGGING

XX-X-X-XXXX-XXX

DRAIN - D	150 ANSI - A	0100-0199 EMULSION
EMULSION - E	300 ANSI - B	0200-0299 PROCESS GAS
FUEL GAS - FG	600 ANSI - C	0300-0399 HYDROCARBON
GLYCOL - G	900 ANSI - D	0400-0499 WATER
HYDROCARBON - HC	1500 ANSI - E	0500-0599 DRAIN
INSTRUMENT AIR/GAS - IA/IG	2500 ANSI - F	0600-0699 PROCESS FLUID
PROCESS GAS - PG	3000# THRD/SW - T	0700-0799 FUEL GAS
PRESSURE RELIEF - PR	6000# THRD/SW - W	0800-0899 PRESSURE RELIEF
WATER - W		0900-0999 OTHER
VENT (ATMOS) - V		1000-1099 VENT (NO TESTING)

NOMINAL PIPE SIZE

PIPE SCHEDULE

A - 316 SS TUBING w/ 316 SS FITTINGS
B - 316 SS TUBING w/ CS FITTINGS
C - NOT APPLICABLE

REV A TAG LEGEND

	LOCALLY MOUNTED	PRIMARY LOC. OR PANEL NORMALLY ACCESS. TO OPER.	AUXILIARY LOC. OR PANEL NORMALLY ACCESS. TO OPER.	PRIMARY LOC. OR PANEL MOUNTED ON BACK OF PANEL	AUXILIARY LOC. OR PANEL MOUNTED ON BACK OF PANEL
DISCRETE	(Symbol)	(Symbol)	(Symbol)	(Symbol)	(Symbol)
SHARED DISPLAY, SHARED CONTROL, DISTRIBUTION CONTROL, VIDEO DISPLAY	(Symbol)	(Symbol)	(Symbol)	(Symbol)	(Symbol)
COMPUTER FUNCTION, SOFTWARE FUNCTION	(Symbol)	(Symbol)	(Symbol)	(Symbol)	(Symbol)
PROGRAMMABLE LOGIC CONTROL	(Symbol)	(Symbol)	(Symbol)	(Symbol)	(Symbol)

DRAWING REVISIONS

REV	DATE	BY	CHK	APP	DESCRIPTION
0	JUN 11/15	SW			ISSUED FOR CONSTRUCTION

ISSUED FOR CONSTRUCTION

SIGNED: [Signature]

DATE: June 24, 2015

W.O.: 09391-001

S/N: NWP-09391-001

ALL DIMENSIONS IN INCHES

NWP INDUSTRIES LP

P.O. BOX 6280, INNISFAIL, AB T4G 1S9
PH: (403) 227-4100 FAX: (403) 227-4102

SCALE: N.T.S.
WEIGHT: (APPROX. LB)

ENCANA CORPORATION

LINEHEATER PACKAGE

3.0 MMBTU/HR 72"O.D. x 288" S/S

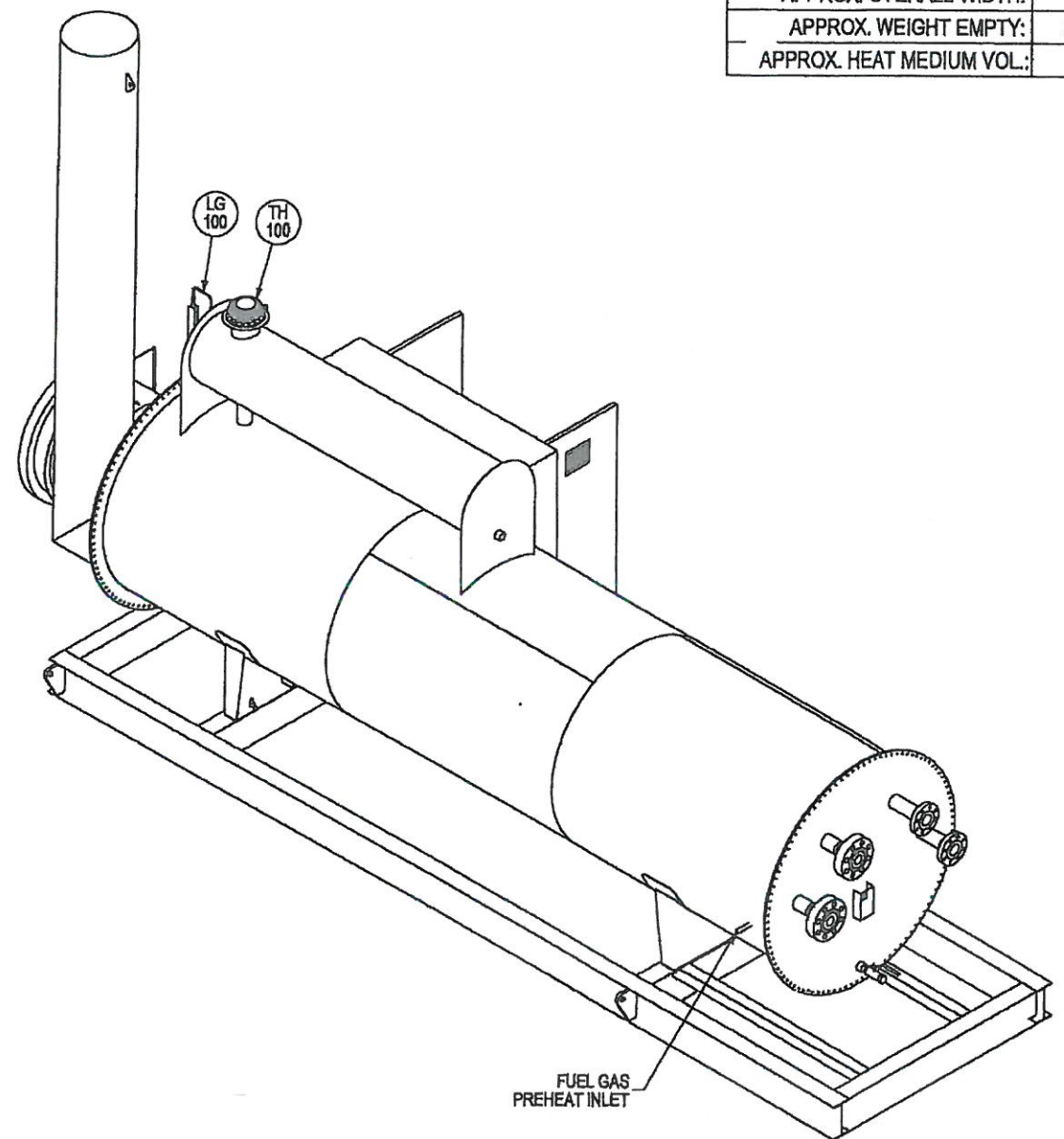
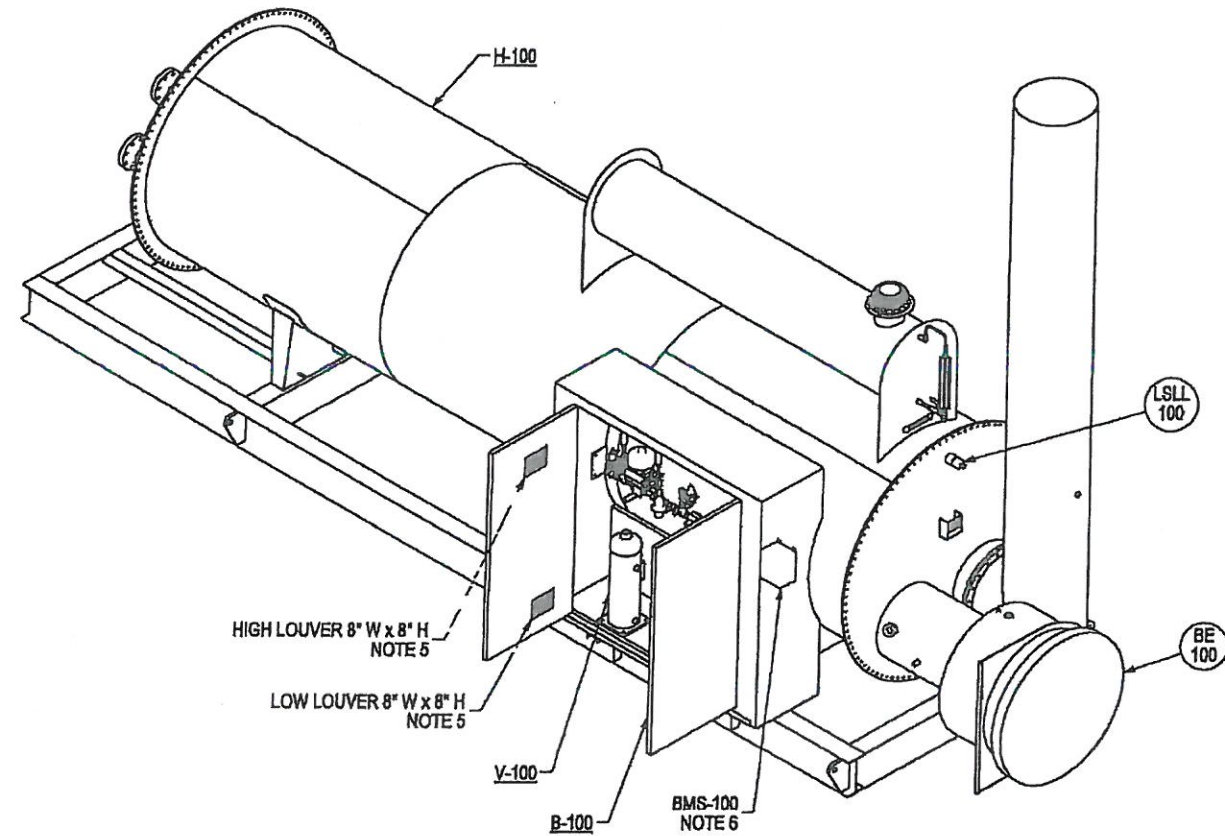
PIPING AND INSTRUMENTATION DIAGRAM

DWN: SW CHK: [Signature] APP: [Signature]

DATE: JUN 11/15 DATE: JUN 11/15 DATE: JUN 12 2015

SHEET: 2 OF 2 DWG: 09391-001-P-000 REV: 0

SHIPPING DATA	
APPROX. OVERALL HEIGHT:	138 7/8"
APPROX. OVERALL LENGTH:	388 1/4"
APPROX. OVERALL WIDTH:	107 7/8"
APPROX. WEIGHT EMPTY:	20,000 LBS
APPROX. HEAT MEDIUM VOL.:	503 FT ³



ORIGINAL

NOTES

1. 24 oz. PNEUMATIC TEST REQUIRED ON SHELL & FIRETUBE.
2. PIPE SUPPORTS WHERE REQUIRED.
3. SHIP LOOSE ITEMS TO BE BOXED AND SEALED PRIOR TO SHIPMENT.
4. PLUG ALL OUTLETS PRIOR TO SHIPMENT.
5. LOUVERS MUST BE LOCATED AS SHOWN IN THIS ORIENTATION.
6. BMS-100 MUST HAVE CONTROLS ROTATED 90° TO FACE PLATFORM SUPPLIED IN FIELD.

ISSUED FOR CONSTRUCTION

SIGNED: *[Signature]*
 DATE: June 24, 2015
 W.O.: 09391-001
 S/N: NWP-09391-001



P.O. BOX 6280, INNISFAIL, AB T4G 1S9
 PH: (403) 227-4100 FAX: (403) 227-4102

ENCANA CORPORATION
 C/O PIONEER ENGINEERING INC.
 3.0 MM BTU/HR LINEHEATER PACKAGE
 72" O.D. x 288" S/S

GENERAL ARRANGEMENT - ISOMETRIC VIEWS

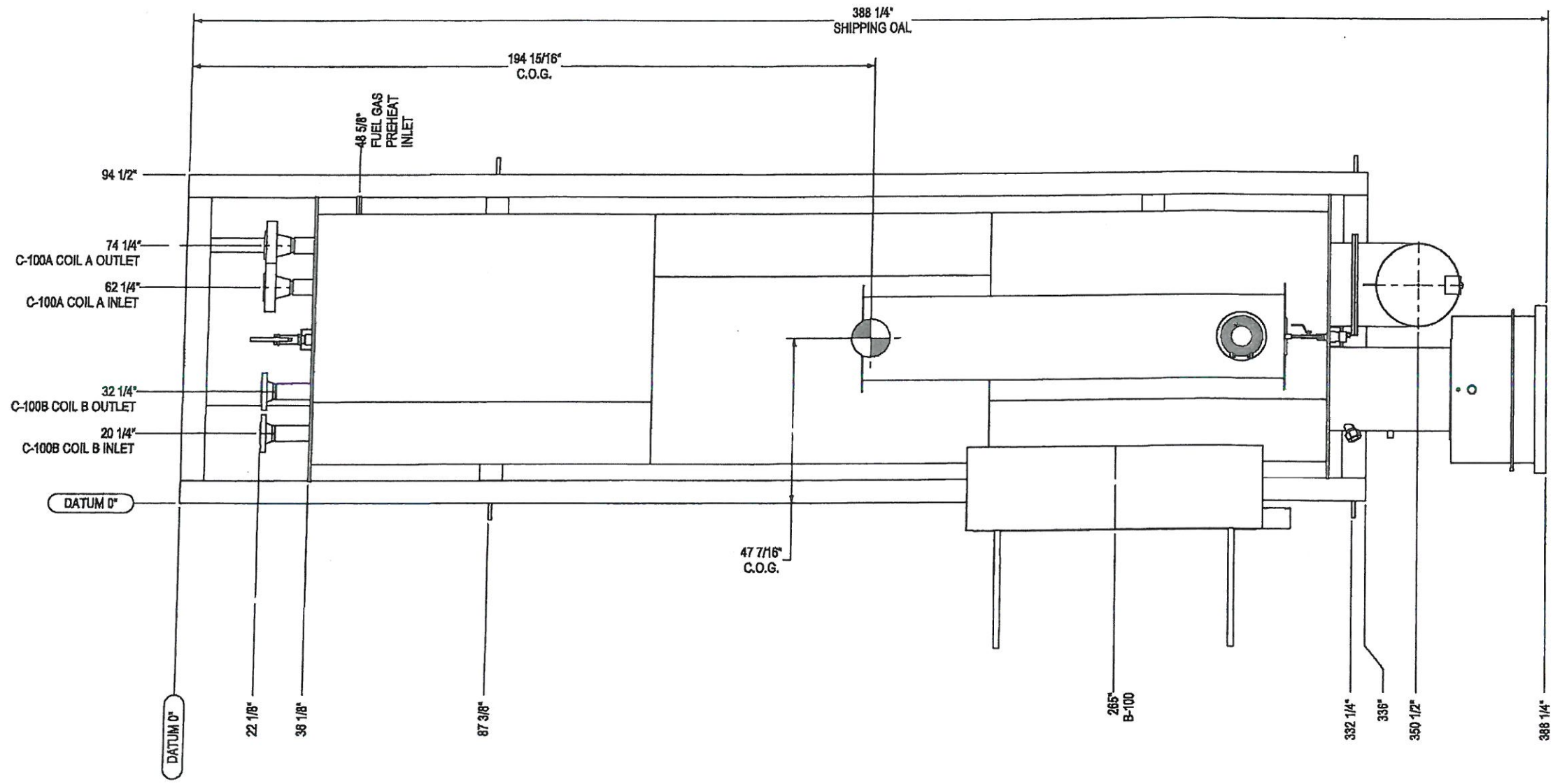
REV.	DATE	BY:	CHK:	APP:	DESCRIPTION
0	MAY 19/15	PA	[Signature]	[Signature]	ISSUED FOR CONSTRUCTION

DRAWING REVISIONS

ALL DIMENSIONS IN INCHES

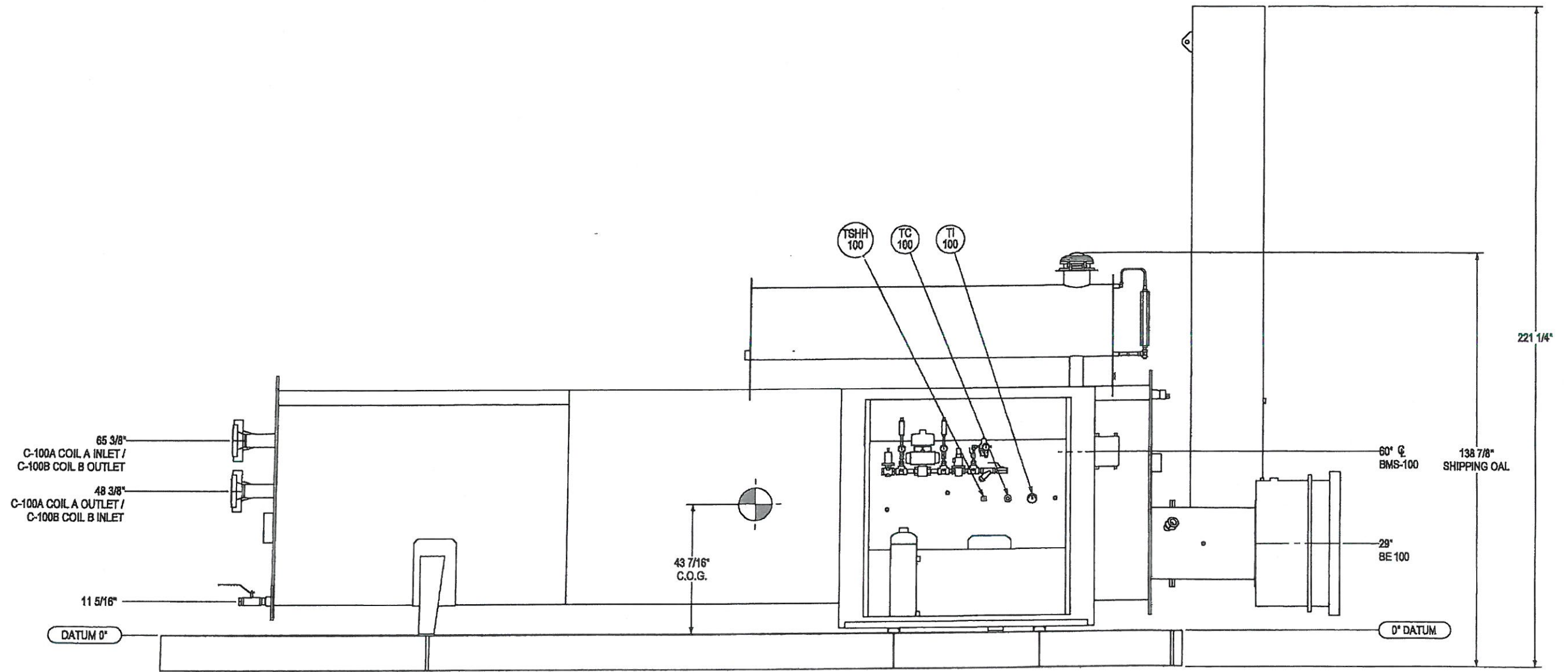
PROJECTION: SCALE: AS NOTED
 WEIGHT: APPROX. LBS

DWN: PA	CHK: Q	APP: [Signature]
DATE: MAY 19/15	DATE: MAY 19 2015	DATE: MAY 19 2015
SHEET: 1 OF 4	DWG: 09305-001-G-000	REV: 0



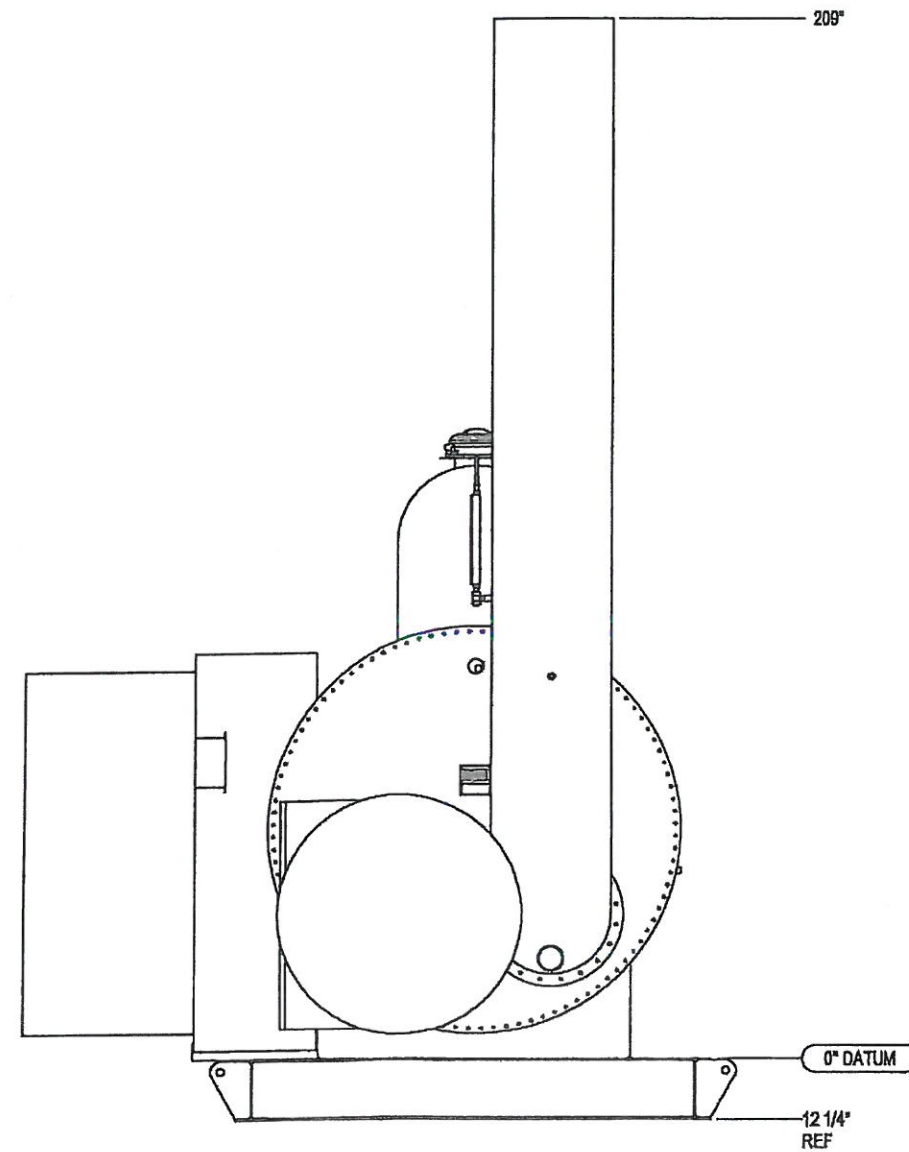
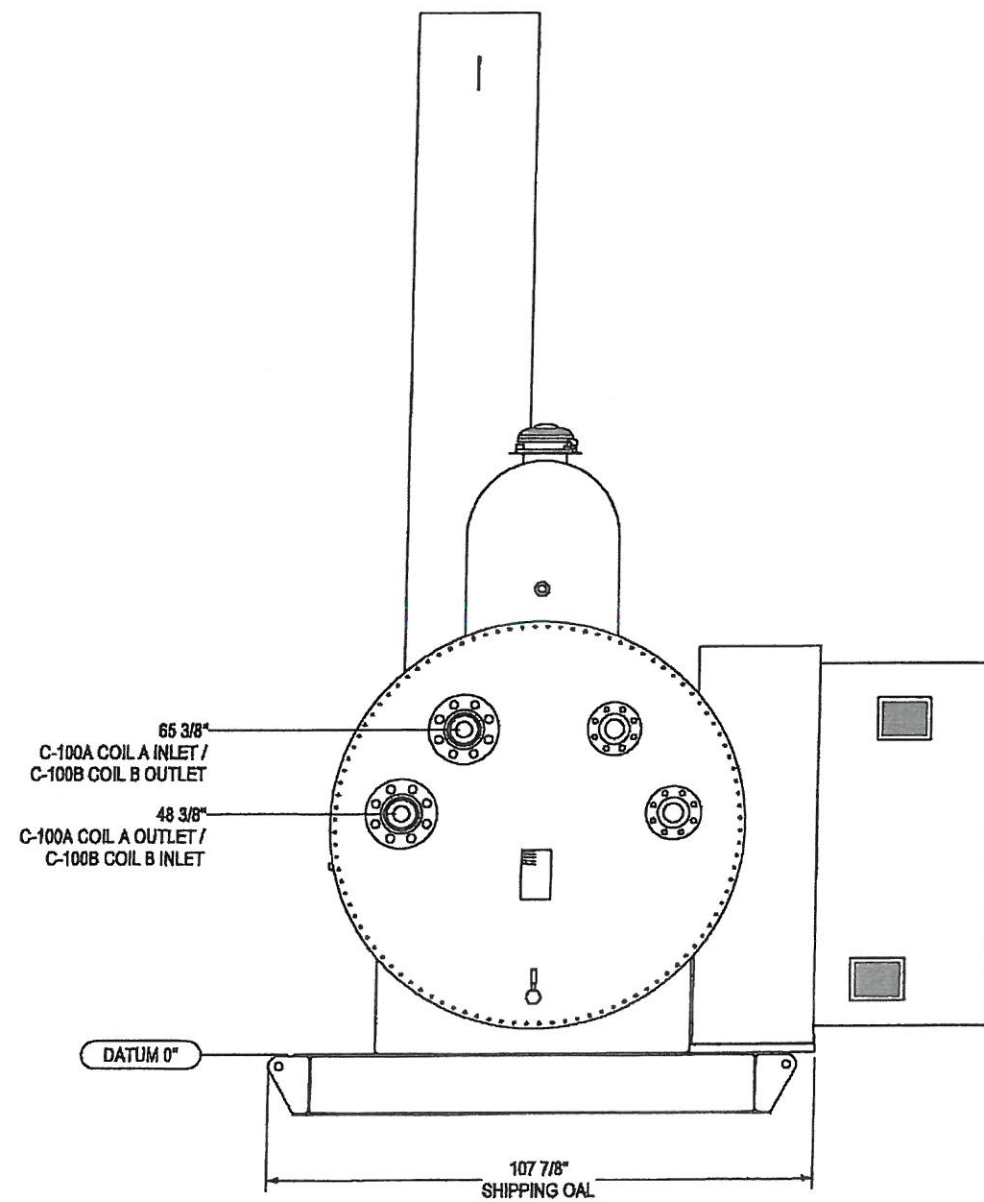
ORIGINAL

<table border="1"> <tr> <th>REV.</th> <th>DATE</th> <th>BY:</th> <th>CHK:</th> <th>APP:</th> <th>DESCRIPTION</th> </tr> <tr> <td>0</td> <td>MAY 19/15</td> <td>PA</td> <td><i>[Signature]</i></td> <td><i>[Signature]</i></td> <td>ISSUED FOR CONSTRUCTION</td> </tr> </table>					REV.	DATE	BY:	CHK:	APP:	DESCRIPTION	0	MAY 19/15	PA	<i>[Signature]</i>	<i>[Signature]</i>	ISSUED FOR CONSTRUCTION	<p>ISSUED FOR CONSTRUCTION</p> <p>SIGNED: <i>[Signature]</i></p> <p>DATE: June 24, 2015</p> <p>W.O.: 09391-001</p> <p>S/N: NWP-09391-001</p>		<p>P.O. BOX 6280, INNISFAIL, AB T4G 1S9 PH: (403) 227-4100 FAX: (403) 227-4102</p>		<p>ENCANA CORPORATION C/O PIONEER ENGINEERING INC. 3.0 MM BTU/HR LINEHEATER PACKAGE 72" O.D. x 288" S/S</p> <p>GENERAL ARRANGEMENT - PLAN VIEW</p>			
					REV.	DATE	BY:	CHK:	APP:	DESCRIPTION														
0	MAY 19/15	PA	<i>[Signature]</i>	<i>[Signature]</i>	ISSUED FOR CONSTRUCTION																			
<p>DRAWING REVISIONS</p> <p>ALL DIMENSIONS IN INCHES</p>		<p>PROJECTION: </p> <p>SCALE: AS NOTED</p> <p>WEIGHT: <small>(NWP-CL-105)</small></p>		<p>DWG: PA</p> <p>CHK: <i>[Signature]</i></p> <p>APP: <i>[Signature]</i></p> <p>DATE: MAY 19/15</p> <p>DATE: MAY 19 2015</p> <p>DATE: MAY 19 2015</p>		<p>SHEET: 2 OF 4</p> <p>DWG: 09305-001-G-000</p> <p>REV: 0</p>																		



ORIGINAL

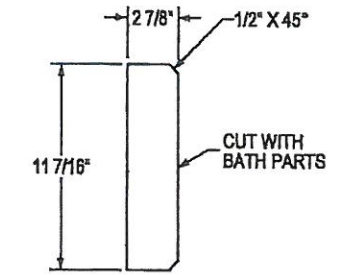
<table border="1"> <tr> <th>REV.</th> <th>DATE</th> <th>BY:</th> <th>CHK:</th> <th>APP:</th> <th>DESCRIPTION</th> </tr> <tr> <td>0</td> <td>MAY 19/15</td> <td>PA</td> <td></td> <td></td> <td>ISSUED FOR CONSTRUCTION</td> </tr> </table>					REV.	DATE	BY:	CHK:	APP:	DESCRIPTION	0	MAY 19/15	PA			ISSUED FOR CONSTRUCTION	<p>ISSUED FOR CONSTRUCTION</p> <p>SIGNED: </p> <p>DATE: June 24, 2015</p> <p>W.O.: 09391-001</p> <p>S/N: NWP-09391-001</p>		<p>P.O. BOX 6280, INNISFAIL, AB T4G 1S9 PH: (403) 227-4100 FAX: (403) 227-4102</p>		<p>ENCANA CORPORATION C/O PIONEER ENGINEERING INC. 3.0 MM BTU/HR LINEHEATER PACKAGE 72" O.D. x 288" S/S</p> <p>GENERAL ARRANGEMENT - FRONT VIEW</p>															
					REV.	DATE	BY:	CHK:	APP:	DESCRIPTION																										
0	MAY 19/15	PA			ISSUED FOR CONSTRUCTION																															
<table border="1"> <tr> <td>DWN:</td> <td>PA</td> <td>CHK:</td> <td></td> <td>APP:</td> <td></td> </tr> <tr> <td>DATE:</td> <td>MAY 19/15</td> <td>DATE:</td> <td>MAY 19 2015</td> <td>DATE:</td> <td>MAY 19 2015</td> </tr> <tr> <td>SHEET:</td> <td colspan="2">3 OF 4</td> <td>DWG:</td> <td colspan="2">09305-001-G-000</td> </tr> <tr> <td>PROJECTION:</td> <td></td> <td>SCALE:</td> <td colspan="2">AS NOTED</td> <td>REV:</td> <td>0</td> </tr> <tr> <td>WEIGHT:</td> <td colspan="5">N/A</td> </tr> </table>						DWN:	PA	CHK:		APP:		DATE:	MAY 19/15	DATE:	MAY 19 2015	DATE:	MAY 19 2015	SHEET:	3 OF 4		DWG:	09305-001-G-000		PROJECTION:		SCALE:	AS NOTED		REV:	0	WEIGHT:	N/A				
DWN:	PA	CHK:		APP:																																
DATE:	MAY 19/15	DATE:	MAY 19 2015	DATE:	MAY 19 2015																															
SHEET:	3 OF 4		DWG:	09305-001-G-000																																
PROJECTION:		SCALE:	AS NOTED		REV:	0																														
WEIGHT:	N/A																																			



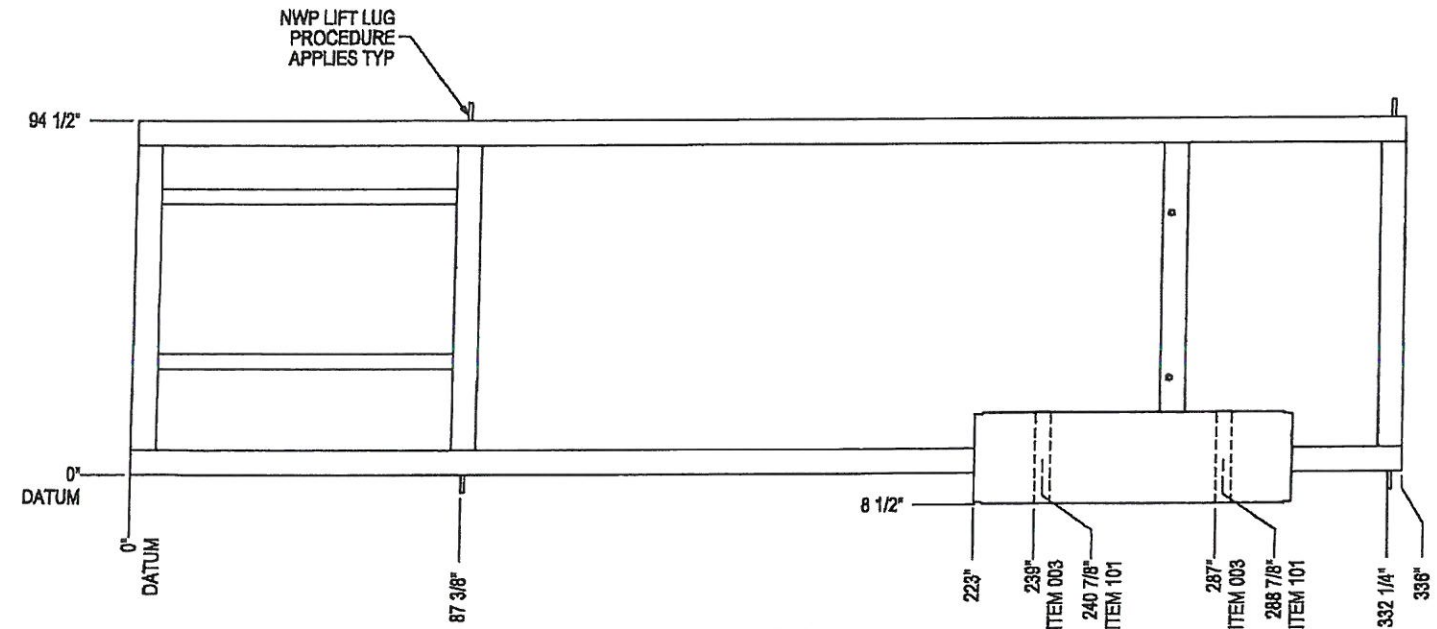
ORIGINAL

<table border="1"> <thead> <tr> <th>REV.</th> <th>DATE</th> <th>BY:</th> <th>CHK:</th> <th>APP:</th> <th>DESCRIPTION</th> </tr> </thead> <tbody> <tr> <td>0</td> <td>MAY 19/15</td> <td>PA</td> <td><i>[Signature]</i></td> <td><i>[Signature]</i></td> <td>ISSUED FOR CONSTRUCTION</td> </tr> </tbody> </table>					REV.	DATE	BY:	CHK:	APP:	DESCRIPTION	0	MAY 19/15	PA	<i>[Signature]</i>	<i>[Signature]</i>	ISSUED FOR CONSTRUCTION	<p>ISSUED FOR CONSTRUCTION</p> <p>SIGNED: <i>[Signature]</i></p> <p>DATE: June 24, 2015</p> <p>W.O.: 09391-001</p> <p>S/N: NWP-09391-001</p>		<p>P.O. BOX 6280, INNISFAIL, AB T4G 1S9 PH: (403) 227-4100 FAX: (403) 227-4102</p>		<p>ENCANA CORPORATION C/O PIONEER ENGINEERING INC. 3.0 MM BTU/HR LINEHEATER PACKAGE 72" O.D. x 288" S/S</p> <p>GENERAL ARRANGEMENT - LEFT & RIGHT VIEW</p>			
					REV.	DATE	BY:	CHK:	APP:	DESCRIPTION														
0	MAY 19/15	PA	<i>[Signature]</i>	<i>[Signature]</i>	ISSUED FOR CONSTRUCTION																			
<table border="1"> <tr> <td>DWG:</td> <td>PA</td> <td>CHK:</td> <td><i>[Signature]</i></td> <td>APP:</td> <td><i>[Signature]</i></td> </tr> <tr> <td>DATE:</td> <td>MAY 19/15</td> <td>DATE:</td> <td>MAY 19 2015</td> <td>DATE:</td> <td>MAY 19 2015</td> </tr> <tr> <td>SHEET:</td> <td>4 OF 4</td> <td>DWG:</td> <td>09305-001-G-000</td> <td>REV:</td> <td>0</td> </tr> </table>						DWG:	PA	CHK:	<i>[Signature]</i>	APP:	<i>[Signature]</i>	DATE:	MAY 19/15	DATE:	MAY 19 2015	DATE:	MAY 19 2015	SHEET:	4 OF 4	DWG:	09305-001-G-000	REV:	0	
DWG:	PA	CHK:	<i>[Signature]</i>	APP:	<i>[Signature]</i>																			
DATE:	MAY 19/15	DATE:	MAY 19 2015	DATE:	MAY 19 2015																			
SHEET:	4 OF 4	DWG:	09305-001-G-000	REV:	0																			

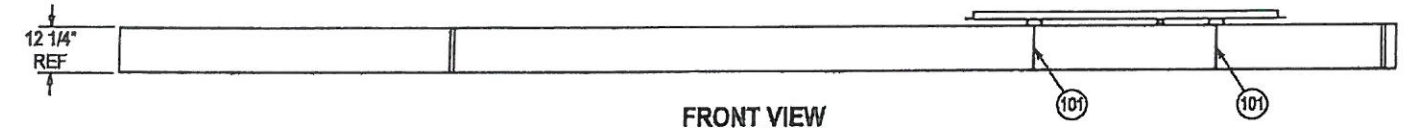
ITEM	PART #	DRAWING #	DESCRIPTION	MATERIAL	MTR #	SIZE	QTY
001	SEE SHEET 2		1/4"x7"x25/8" FORMED ENCLOSURE TRAY	G40.21-44W			1
002	LL-TEMP-NWPL-00006-0	NWPL-00006	LIFT LUG PLATE: 1" THK x 8"	SA-36		11 7/16"	4
003	CHA45.4T		CHANNEL 4" @ 5.4#	G40.21-44W		24 3/4"	2
007	BOL13AAA		BOLT 1" x 3" LG HEX HEAD PLATED	GRADE 8			2
008	WAS1YAYA		FLAT WASHER 1" PLATED	GRADE 8			2
009	NUT1YAAA		NUT 1" HEX PLATED	GRADE 8			2
100	SEE SHEET 2		SKID BASE WELDMENT				1
101	PLA.25ST		ENCLOSURE SUPPORT GUSSET PLATE 1/4" THK	SA-36/G40.21-44W		11 7/16" x 2 7/8"	2



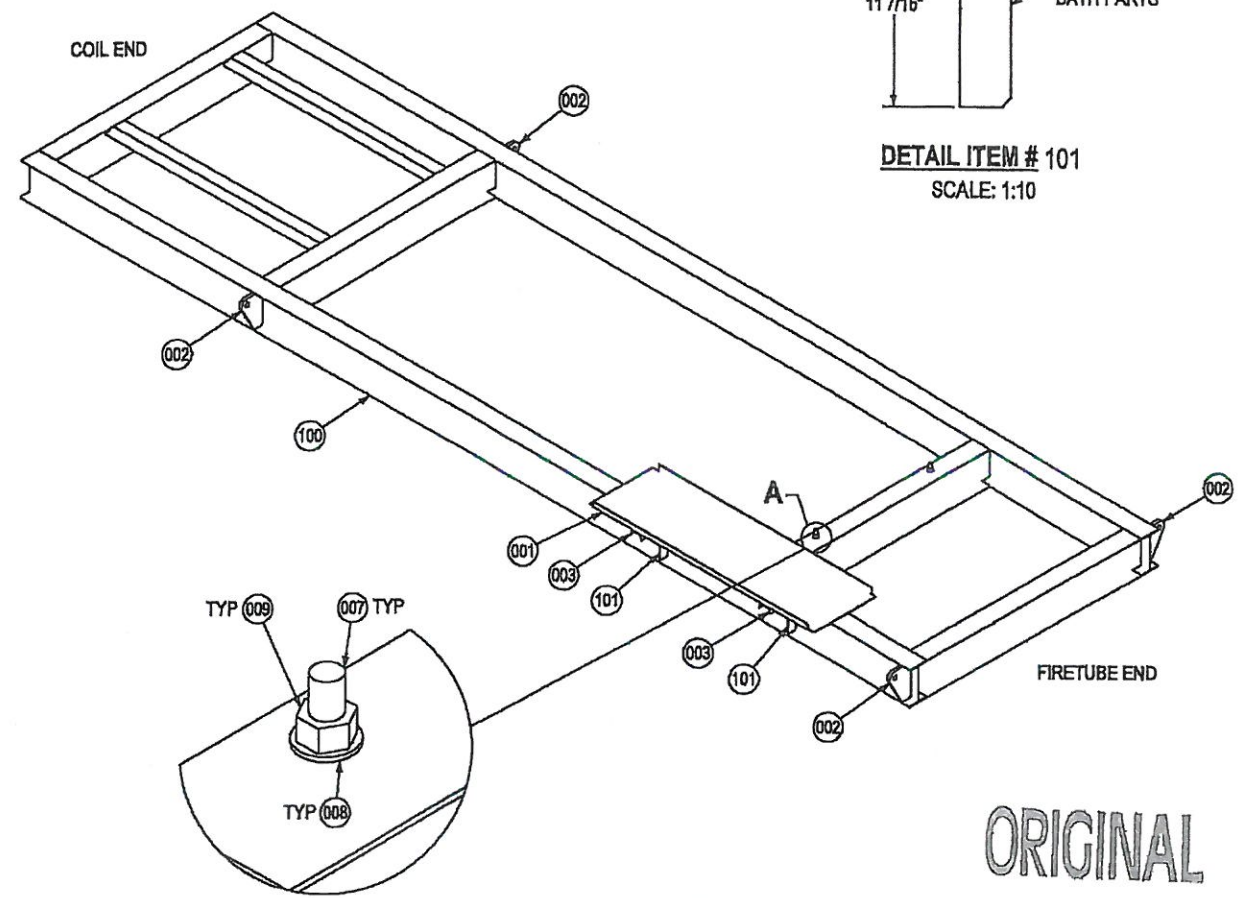
DETAIL ITEM # 101
SCALE: 1:10



PLAN VIEW
SCALE: 1:48



FRONT VIEW
SCALE: 1:48



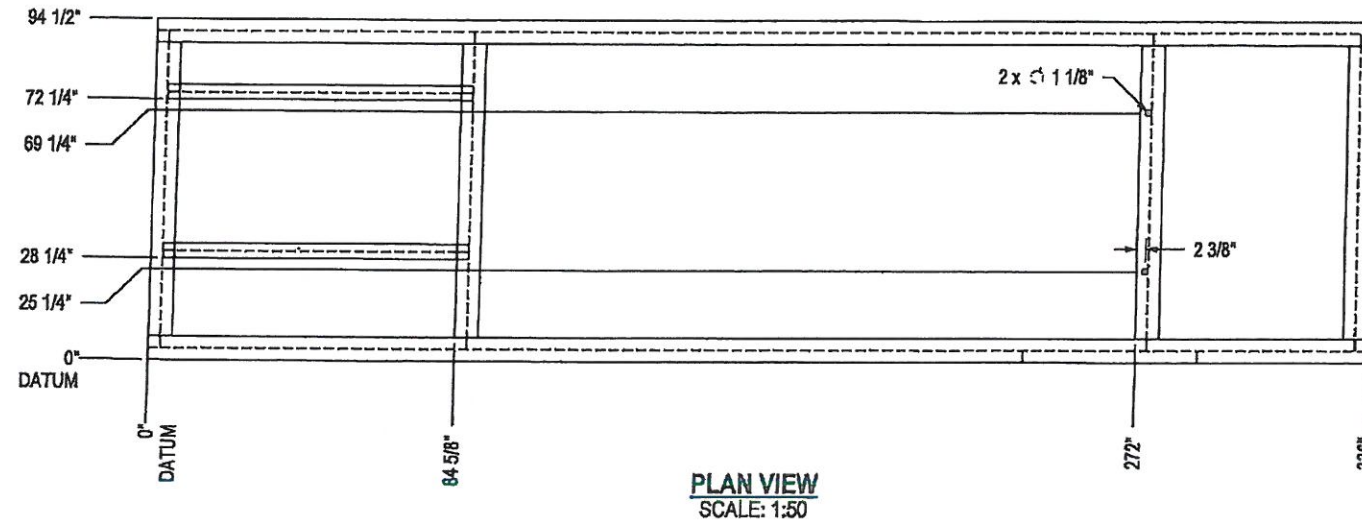
DETAIL A
SCALE: 1:5

ORIGINAL

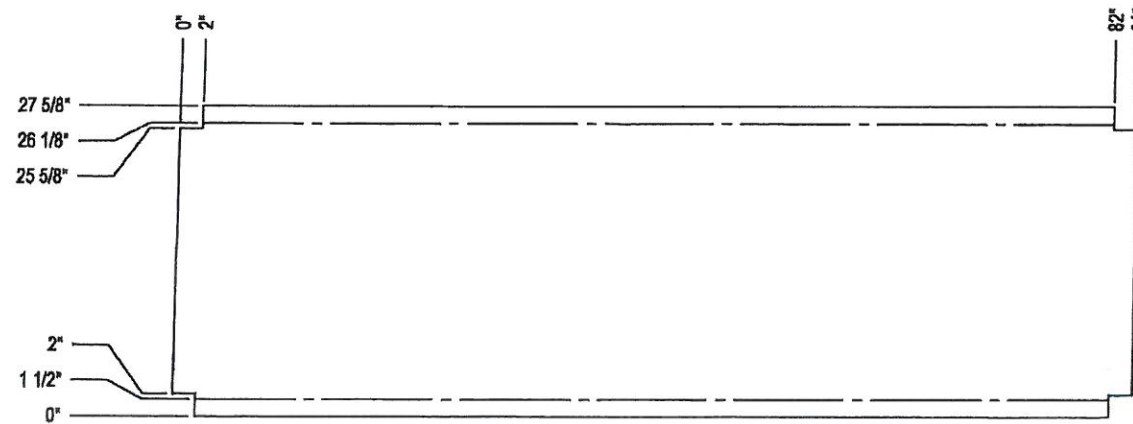
- NOTES**
- FABRICATE TO CSA W47.1 AND W59.
 - ALL DIMENSIONS SHALL HAVE A TOLERANCE OF $\pm 1/8"$ UNLESS OTHERWISE SPECIFIED.
 - COPE STRUCTURAL MEMBERS AS REQUIRED.
 - RADIUS ALL SHARP EDGES.
 - ALL WELDS TO BE 1/4" CONTINUOUS FILLET WELDS UNLESS OTHERWISE NOTED.
 - SHOP TO VERIFY ALL I-BEAM CUT LENGTHS PRIOR TO SECTIONING BEAMS.
 - WELD PROCESS TO BE MCAW UNLESS OTHERWISE NOTED. WPDS FC1-15 AND FC1-10.
 - MPI ON LIFT LUG WELDMENT.

<table border="1"> <tr> <td>0</td> <td>JAN 23/15</td> <td>PA</td> <td>D</td> <td>ISSUED FOR CONSTRUCTION</td> </tr> <tr> <th>REV.</th> <th>DATE</th> <th>BY:</th> <th>CHK:</th> <th>APP:</th> <th>DESCRIPTION</th> </tr> <tr> <td colspan="6" style="text-align: center;">DRAWING REVISIONS</td> </tr> </table>				0	JAN 23/15	PA	D	ISSUED FOR CONSTRUCTION	REV.	DATE	BY:	CHK:	APP:	DESCRIPTION	DRAWING REVISIONS						<p>ISSUED FOR CONSTRUCTION</p> <p>SIGNED: <i>[Signature]</i></p> <p>DATE: July 22, 2015</p> <p>W.O.: 09391-008-C</p> <p>S/N: _____</p>		<p>P.O. BOX 6280, INNISFAIL, AB T4G 1S9 PH: (403) 227-4100 FAX: (403) 227-4102</p>		<p>ENCANA CORPORATION C/O PIONEER ENGINEERING INC. 3.0 MM BTU/HR LINEHEATER PACKAGE 72" O.D. x 288" S/S</p> <p>SKID ASSEMBLY</p>			
				0	JAN 23/15	PA	D	ISSUED FOR CONSTRUCTION																				
REV.	DATE	BY:	CHK:	APP:	DESCRIPTION																							
DRAWING REVISIONS																												
<table border="1"> <tr> <td>DWN:</td> <td>PA</td> <td>CHK:</td> <td>D</td> <td>APP:</td> <td>[Signature]</td> </tr> <tr> <td>DATE:</td> <td>JAN 23/15</td> <td>DATE:</td> <td>FEB 04 2015</td> <td>DATE:</td> <td>JAN 29 2015</td> </tr> </table>		DWN:	PA	CHK:	D	APP:	[Signature]	DATE:	JAN 23/15	DATE:	FEB 04 2015	DATE:	JAN 29 2015	<p>PROJECTION: </p> <p>SCALE: AS NOTED</p> <p>WEIGHT: APPROX. LBS</p>		<p>SHEET: 1 OF 2</p> <p>DWG: 09304-001-C-000</p> <p>REV: 0</p>												
DWN:	PA	CHK:	D	APP:	[Signature]																							
DATE:	JAN 23/15	DATE:	FEB 04 2015	DATE:	JAN 29 2015																							

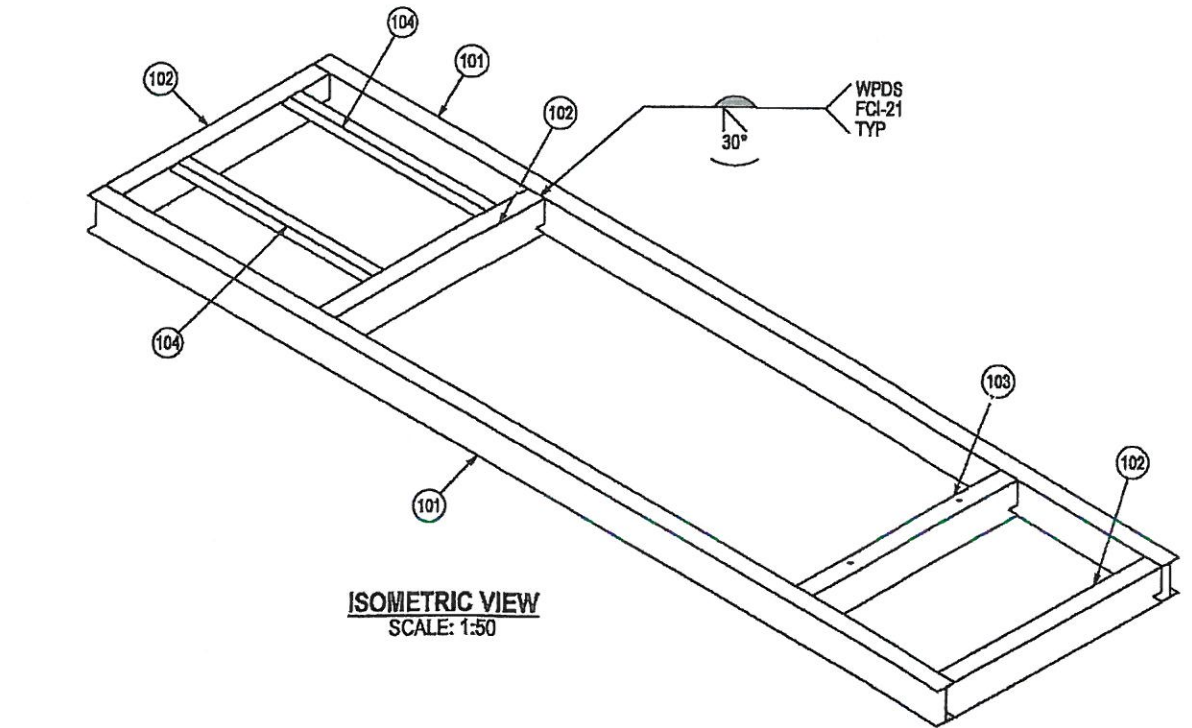
ITEM	PART #	DESCRIPTION	MATERIAL	MTR #	SIZE	QTY
101	WFL1226T	WIDE FLANGE: 12" x 26#	G40.21-50W		338"	2
102	WFL1226T	WIDE FLANGE: 12" x 26#	G40.21-50W		87 9/16"	3
103	WFL1226T	WIDE FLANGE: 12" x 26#	G40.21-50W		87 9/16"	1
104	WFL413U	WIDE FLANGE 4 x 13	G40.21-50W		84 3/16"	2



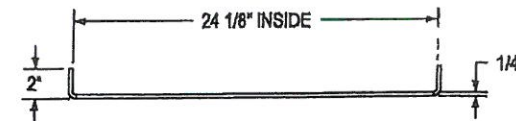
PLAN VIEW
SCALE: 1:50



DETAIL ITEM # 001
SCALE: 1:16



ISOMETRIC VIEW
SCALE: 1:50



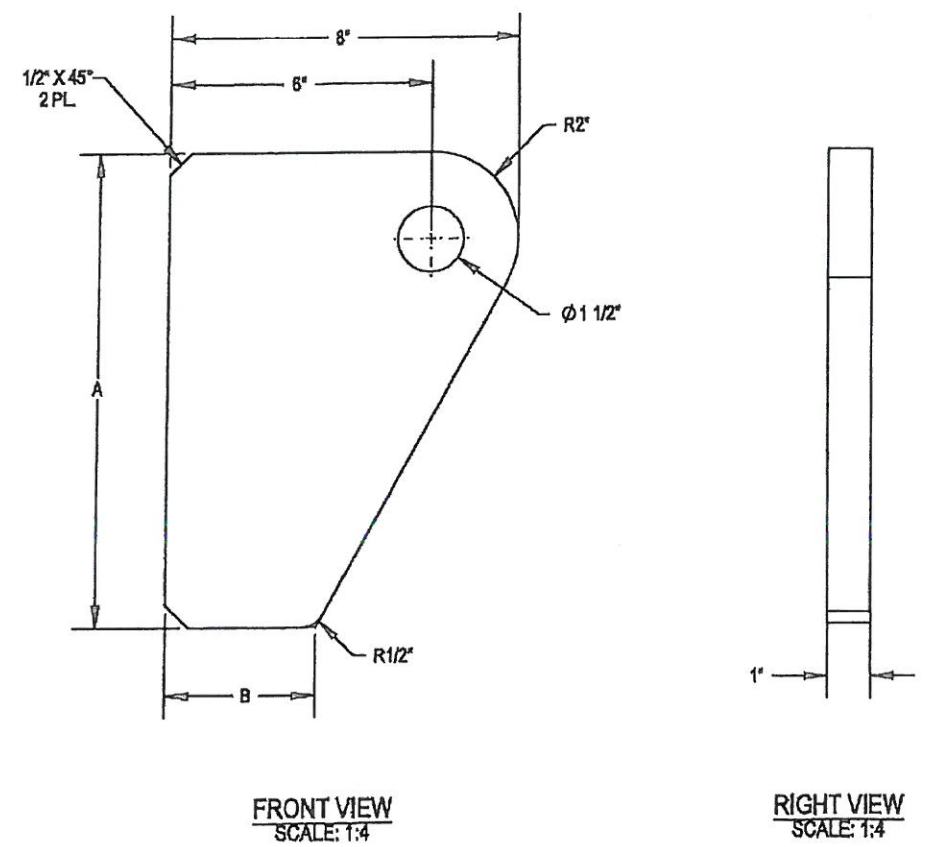
ORIGINAL

NOTES

- FABRICATE TO CSA W47.1 AND W59.
- ALL DIMENSIONS SHALL HAVE A TOLERANCE OF $\pm 1/8"$ UNLESS OTHERWISE SPECIFIED.
- COPE STRUCTURAL MEMBERS AS REQUIRED.
- RADIUS ALL SHARP EDGES.
- ALL WELDS TO BE $1/4"$ CONTINUOUS FILLET WELDS UNLESS OTHERWISE NOTED.
- SHOP TO VERIFY ALL I-BEAM CUT LENGTHS PRIOR TO SECTIONING BEAMS.
- WELD PROCESS TO BE MCAW UNLESS OTHERWISE NOTED. WPDS FC1-15 AND FC1-10.
- MPI ON LIFT LUG WELDMENT.

				ISSUED FOR CONSTRUCTION				ENCANA CORPORATION C/O PIONEER ENGINEERING INC. 3.0 MM BTU/HR LINEHEATER PACKAGE 72" O.D. x 288" S/S													
				SIGNED: <i>[Signature]</i>		P.O. BOX 6280, INNISFAIL, AB T4G 1S9 PH: (403) 227-4100 FAX: (403) 227-4102		SKID BASE WELDMENT													
				DATE: July 22, 2015				DWN: PA CHK: <i>[Signature]</i> APP: <i>[Signature]</i> DATE: JAN 23/15 DATE: FEB 04 2015 DATE: JAN 28 2015													
				W.O.: 09391-008-C		PROJECTION: SCALE: AS NOTED WEIGHT: (APPLIES US)		SHEET: 2 OF 2 DWG: 09304-001-C-000 REV: 0													
<table border="1"> <thead> <tr> <th>REV.</th> <th>DATE</th> <th>BY:</th> <th>CHK:</th> <th>APP:</th> <th>DESCRIPTION</th> </tr> </thead> <tbody> <tr> <td>0</td> <td>JAN 23/15</td> <td>PA</td> <td><i>[Signature]</i></td> <td><i>[Signature]</i></td> <td>ISSUED FOR CONSTRUCTION</td> </tr> </tbody> </table>				REV.	DATE			BY:	CHK:	APP:	DESCRIPTION	0	JAN 23/15	PA	<i>[Signature]</i>	<i>[Signature]</i>	ISSUED FOR CONSTRUCTION	SIN: _____			
REV.	DATE	BY:	CHK:	APP:	DESCRIPTION																
0	JAN 23/15	PA	<i>[Signature]</i>	<i>[Signature]</i>	ISSUED FOR CONSTRUCTION																
DRAWING REVISIONS						ALL DIMENSIONS IN INCHES															

DESIGN TABLE				
DESCRIPTION	"A" DIMENSION	"B" DIMENSION	MATERIAL	CNC FILE
PLATE: 1" THK x 8" - FOR W6x9	5 7/16	6 3/8"	SA-36	NWPL-00006-1 REV0
PLATE: 1" THK x 8" - FOR W6x12	5 7/16	6 3/8"	SA-36	NWPL-00006-1 REV0
PLATE: 1" THK x 8" - FOR W6x16	5 7/16	6 3/8"	SA-36	NWPL-00006-1 REV0
PLATE: 1" THK x 8" - FOR W6x16	5 7/16	6 3/8"	SA-36	NWPL-00006-1 REV0
PLATE: 1" THK x 8" - FOR W6x20	5 7/16	6 3/8"	SA-36	NWPL-00006-1 REV0
PLATE: 1" THK x 8" - FOR W6x25	5 7/16	6 3/8"	SA-36	NWPL-00006-1 REV0
PLATE: 1" THK x 8" - FOR W8x10	7 7/16	5 5/16"	SA-36	NWPL-00008-2 REV0
PLATE: 1" THK x 8" - FOR W8x13	7 7/16	5 5/16"	SA-36	NWPL-00008-2 REV0
PLATE: 1" THK x 8" - FOR W8x15	7 7/16	5 5/16"	SA-36	NWPL-00008-2 REV0
PLATE: 1" THK x 8" - FOR W8x18	7 7/16	5 5/16"	SA-36	NWPL-00008-2 REV0
PLATE: 1" THK x 8" - FOR W8x21	7 7/16	5 5/16"	SA-36	NWPL-00008-2 REV0
PLATE: 1" THK x 8" - FOR W8x24	7 1/8	5 1/2"	SA-36	NWPL-00008-3 REV0
PLATE: 1" THK x 8" - FOR W8x28	7 1/8	5 1/2"	SA-36	NWPL-00008-3 REV0
PLATE: 1" THK x 8" - FOR W8x31	7 1/8	5 1/2"	SA-36	NWPL-00008-3 REV0
PLATE: 1" THK x 8" - FOR W8x35	7 1/8	5 1/2"	SA-36	NWPL-00008-3 REV0
PLATE: 1" THK x 8" - FOR W8x40	7 1/8	5 1/2"	SA-36	NWPL-00008-3 REV0
PLATE: 1" THK x 8" - FOR W10x19	9 7/16	4 3/16"	SA-36	NWPL-00008-4 REV0
PLATE: 1" THK x 8" - FOR W10x22	9 7/16	4 3/16"	SA-36	NWPL-00008-4 REV0
PLATE: 1" THK x 8" - FOR W10x26	9 7/16	4 3/16"	SA-36	NWPL-00008-4 REV0
PLATE: 1" THK x 8" - FOR W10x30	9 7/16	4 3/16"	SA-36	NWPL-00008-4 REV0
PLATE: 1" THK x 8" - FOR W10x33	8 13/16	4 9/16"	SA-36	NWPL-00008-5 REV0
PLATE: 1" THK x 8" - FOR W10x39	8 13/16	4 9/16"	SA-36	NWPL-00008-5 REV0
PLATE: 1" THK x 8" - FOR W10x45	8 13/16	4 9/16"	SA-36	NWPL-00008-5 REV0
PLATE: 1" THK x 8" - FOR W10x49	8 13/16	4 9/16"	SA-36	NWPL-00008-5 REV0
PLATE: 1" THK x 8" - FOR W12x22	11 7/16	3 1/8"	SA-36	NWPL-00008-6 REV0
PLATE: 1" THK x 8" - FOR W12x26	11 7/16	3 1/8"	SA-36	NWPL-00008-6 REV0
PLATE: 1" THK x 8" - FOR W12x30	11 7/16	3 1/8"	SA-36	NWPL-00008-6 REV0
PLATE: 1" THK x 8" - FOR W12x35	11 7/16	3 1/8"	SA-36	NWPL-00008-6 REV0
PLATE: 1" THK x 8" - FOR W12x40	10 7/8	3 7/16"	SA-36	NWPL-00008-7 REV0
PLATE: 1" THK x 8" - FOR W12x45	10 7/8	3 7/16"	SA-36	NWPL-00008-7 REV0
PLATE: 1" THK x 8" - FOR W12x50	10 7/8	3 7/16"	SA-36	NWPL-00008-7 REV0
PLATE: 1" THK x 8" - FOR W12x53	10 7/8	3 7/16"	SA-36	NWPL-00008-7 REV0
PLATE: 1" THK x 8" - FOR W12x58	10 7/8	3 7/16"	SA-36	NWPL-00008-7 REV0



MAX.. LOAD / 15000 LBS. PER LUG
RECOMMENDED SHACKLE - 1 1/4"

ORIGINAL

- GENERAL NOTES**
- HEAT NUMBER TO BE CLEARLY MARKED ON EACH PIECE WITH A PAINT PEN AS A MINIMUM.
 - ALL DOCUMENTATION MUST ACCOMPANY SHIPMENT OF PARTS IF PART IS OUTSOURCED.
 - RADIUS ALL SHARP EDGES.
 - 1 1/2" HOLE MUST BE DRILLED, OR TO BE CUT AS DRILLED.

ISSUED FOR CONSTRUCTION SIGNED: <i>[Signature]</i> DATE: July 22, 2015 W.D.: 09391-008-C S/N: _____					 P.O. BOX 6280, INNISFAIL, AB T4G 1S9 PH: (403) 227-4100 FAX: (403) 227-4102		NWP INDUSTRIES INC. LP WIDE FLANGE LIFT LUG ALL SIZES - - PART DETAILS			
REV.	DATE	BY:	CHK:	APP:	DESCRIPTION	PROJECTION:	SCALE: AS NOTED	SHEET: 1 OF 1	DWG: NWPL-00006	REV: 0
0	MAR 04/13	MJH	[Signature]	[Signature]	ISSUED FOR CONSTRUCTION	[Symbol]	WEIGHT: (APPROX. LB.)			
DRAWING REVISIONS						ALL DIMENSIONS IN INCHES		DATE: MAR 4/13		DATE: 05/15/13