

- NOTES**
1. PIPE SUPPORTS WHERE REQUIRED.
 2. ALL PNEUMATIC VALVES AND INSTRUMENTS TO BE FUNCTIONED TESTED AS PER AB 522.
 3. SHIP LOOSE ITEMS TO BE BOXED AND SEALED PRIOR TO SHIPMENT.
 4. PLUG ALL OUTLETS PRIOR TO SHIPMENT.

TOP VIEW
SCALE: 1:40

ORIGINAL

ENCANA PO#
41406
LSD:TBD

SHIPPING DATA	
OVERALL HEIGHT	11' - 4 7/16"
OVERALL LENGTH	26' - 6 3/16"
OVERALL WIDTH	12' - 4 3/4"
APPROX. WEIGHT	21500 LBS

LINEHEATER DESIGN DATA	
HEAT MEDIUM REQUIREMENT:	399 CU.FT.
PAINT:	CLOVERDALE UNIVERSAL PHENOLIC PRIMER SERIES 83, 1.5-2 MILS DFT, CLOVERDALE 835 SERIES DTM POLYURETHANE ENAMEL 2-3 MILS DFT
SURFACE PREPARATION:	SSPC-SP 6-63 COMMERCIAL BLAST
INSULATION:	HEATER SHELL, NO ENDS: 1-1/2" FIBER GLASS (MICROFLEX) INSULATION WITH 0.020 STUCCO EMBOSSED ALUMINUM OUTER CLADDING HELD WITH STAINLESS STEEL BANDING. EXPANSION TANK NOT INSULATED UNDERFLOOR AREA: 2" SPRAY ON FIRE RETARDANT FOAM INSULATION (BUILDING AREA)

DOCUMENT NO.	DESCRIPTION	REV	DATE	BY	CHK	APP	DRAWING REVISIONS
08468-6	BATH ASSEMBLY						
08468-4	COIL ASSEMBLY						
08468-3	SKID ASSEMBLY						
08468-2	PIPING ASSEMBLY						
08468-1	PIPING & INSTRUMENTATION DIAGRAM	0	NOV 30/12	VW	[Signature]	[Signature]	ISSUED FOR CONSTRUCTION

ISSUED FOR CONSTRUCTION

SIGNED: _____

DATE: _____

W.O.: _____

S/N: _____

ALL DIMENSIONS IN INCHES

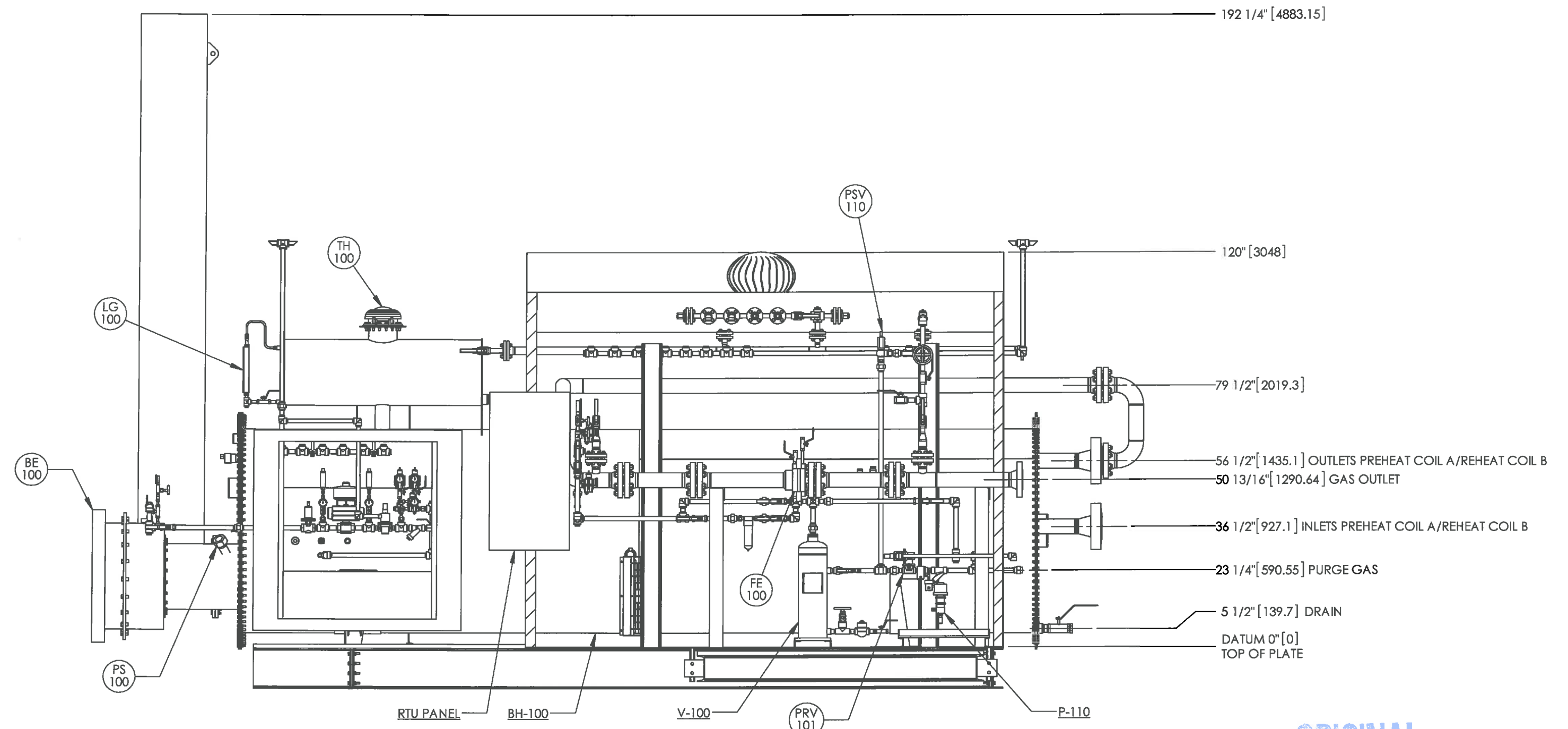
NWP INDUSTRIES INC.
Total oilfield supply.

P.O. BOX 6280, INNISFAIL, AB T4G 1S9
PH: (403) 227-4100 FAX: (403) 227-4102

THIS DRAWING IS PROPERTY OF NWP INDUSTRIES INC. AND MAY NOT BE REPRODUCED WITHOUT PERMISSION. THIS DRAWING MUST BE RETURNED UPON REQUEST.

ENCANA CORPORATION LINEHEATER AND METERING PACKAGE 2.00 MMBTU/HR, 62" OD X 240" S/S (1) 4" - 600# JR METER RUN GENERAL ARRANGEMENT			
DWN: VW	CHK: [Signature]	APP: [Signature]	
DATE: NOV 30/12	DATE: JAN 04 2013	DATE: Jan 4 2012	
SCALE: 1:40	DWG: 08468-001-002	REV: 0	
SHEET: 1 OF 3			

192 1/4" [4883.15]



FRONT VIEW
SCALE: 1:40

ORIGINAL

ENCANA PO#
41406
LSD:TBD

DOCUMENT NO.	DESCRIPTION	REV	DATE	BY	CHK	APP	
08468-6	BATH ASSEMBLY						
08468-4	COIL ASSEMBLY						
08468-3	SKID ASSEMBLY						
08468-2	PIPING ASSEMBLY						
08468-1	PIPING & INSTRUMENTATION DIAGRAM	0	NOV 30/12	VW	D	W	ISSUED FOR CONSTRUCTION
	REFERENCE DRAWINGS						DRAWING REVISIONS

ISSUED FOR CONSTRUCTION

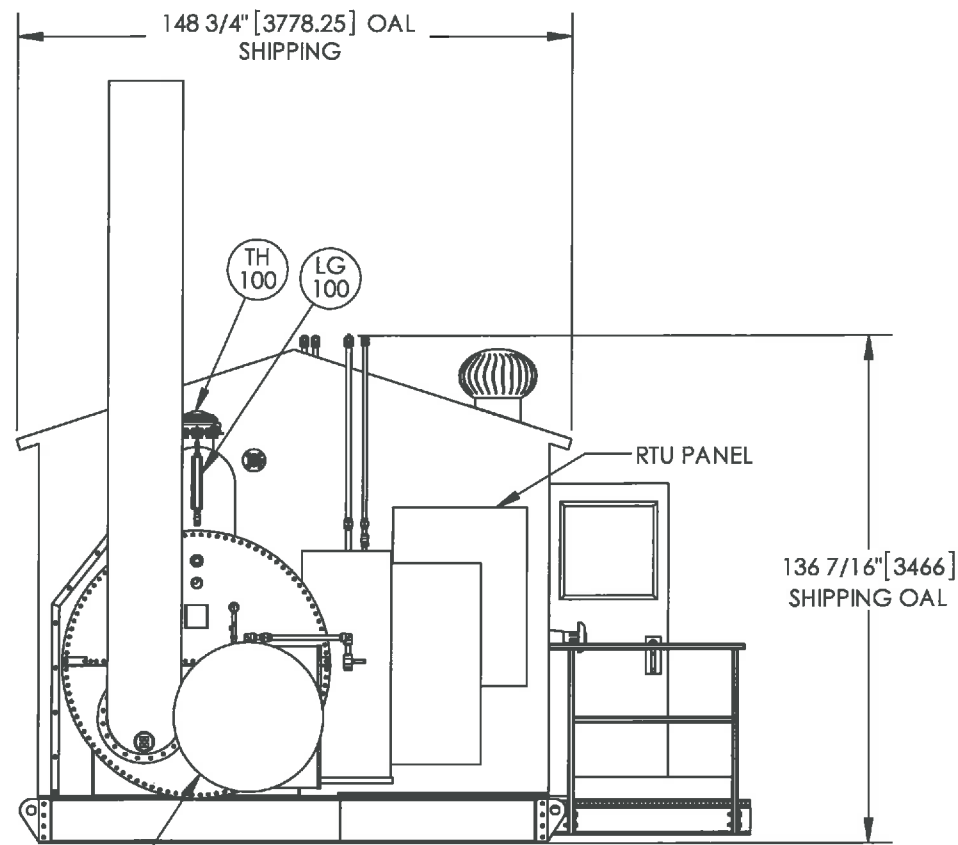
SIGNED: _____
DATE: _____
W.O.: _____
S/N: _____
ALL DIMENSIONS IN INCHES



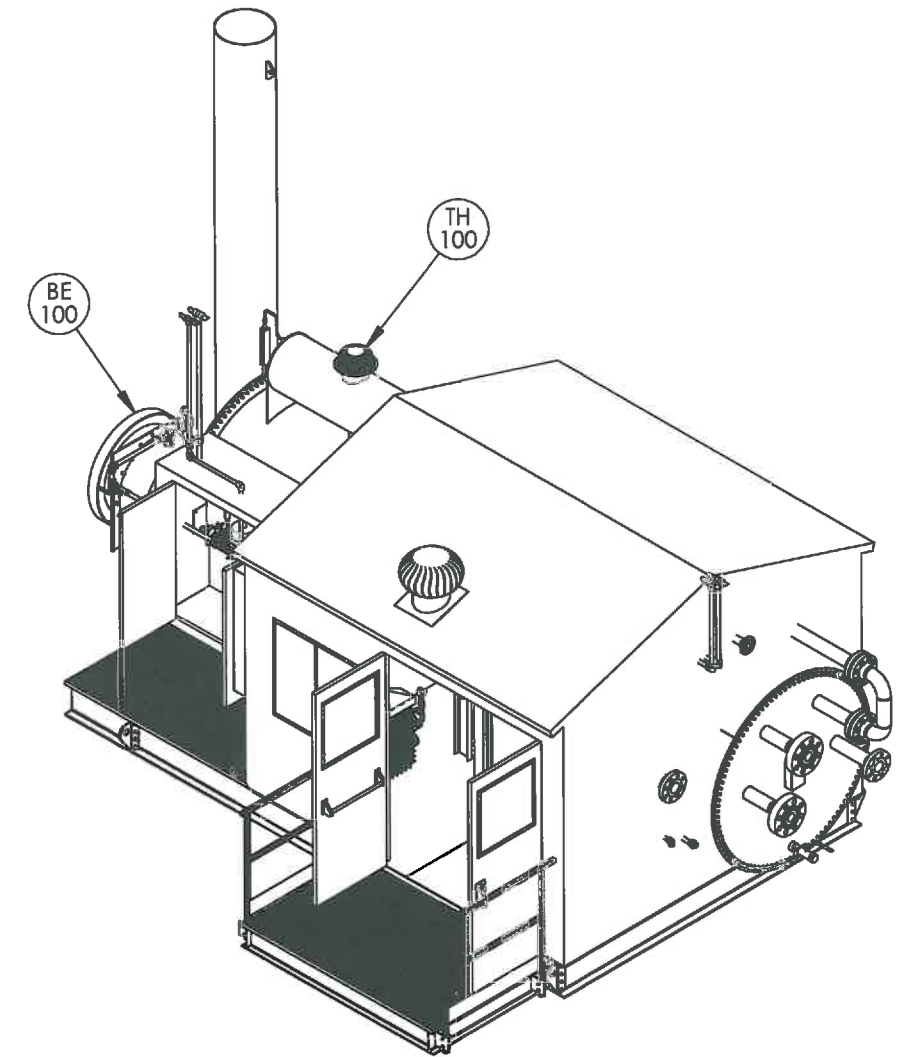
P.O. BOX 6280, INNISFAIL, AB T4G 1S9
PH: (403) 227-4100 FAX: (403) 227-4102

THIS DRAWING IS PROPERTY OF NWP INDUSTRIES INC. AND MAY NOT BE REPRODUCED WITHOUT PERMISSION. THIS DRAWING MUST BE RETURNED UPON REQUEST.

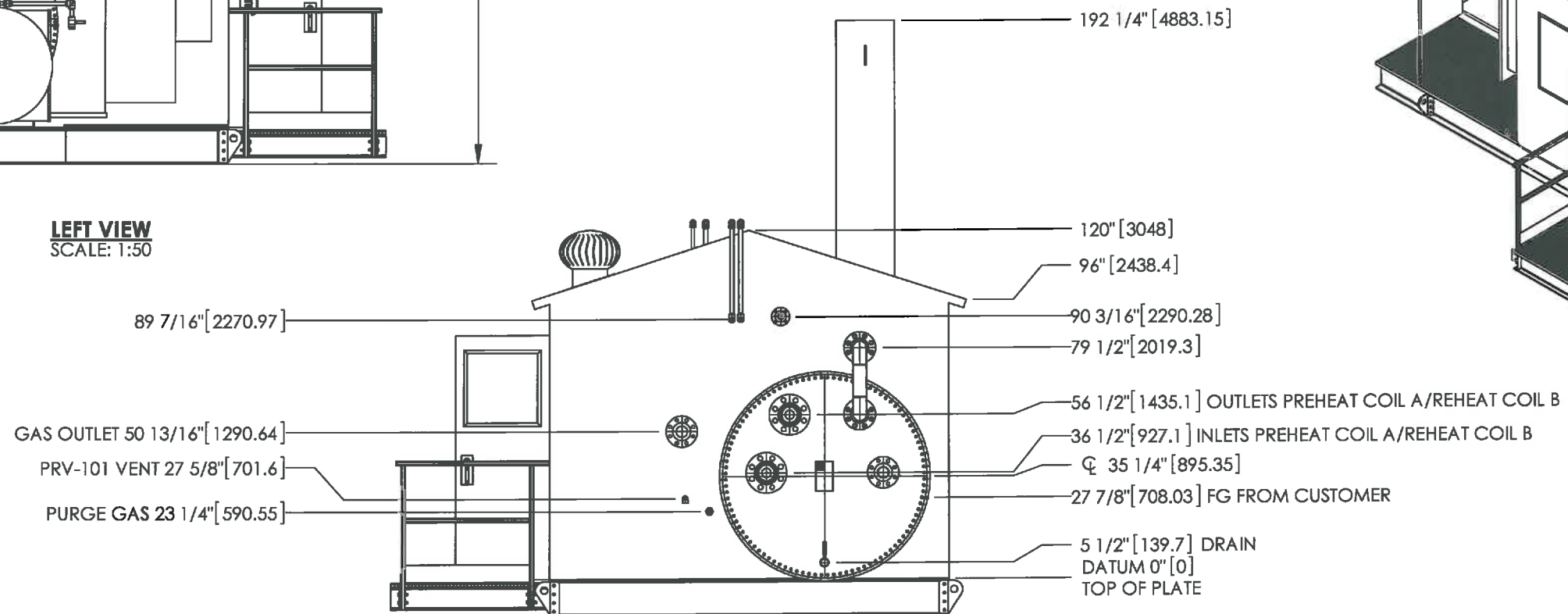
ENCANA CORPORATION LINEHEATER AND METERING PACKAGE 2.00 MMBTU/HR, 62" OD X 240" S/S (1) 4" - 600# JR METER RUN GENERAL ARRANGEMENT			
DWN: VW	CHK: <i>[Signature]</i>	APP: <i>[Signature]</i>	
DATE: NOV 30/12	DATE: JAN 04 2013	DATE: <i>Jan 4 2013</i>	
SCALE: 1:30	DWG: 08468-001-002	REV: 0	
SHEET: 2 OF 3			



LEFT VIEW
SCALE: 1:50



ISOMETRIC VIEW
SCALE: 1:50



RIGHT VIEW
SCALE: 1:50

ORIGINAL

ENCANA PO#
41406
LSD:TBD

DOCUMENT NO.	DESCRIPTION	REV	DATE	BY	CHK	APP	DRAWING REVISIONS
08468-6	BATH ASSEMBLY						
08468-4	COIL ASSEMBLY						
08468-3	SKID ASSEMBLY						
08468-2	PIPING ASSEMBLY						
08468-1	PIPING & INSTRUMENTATION DIAGRAM	0	NOV 30/12	VW	Q	(M)	ISSUED FOR CONSTRUCTION

ISSUED FOR CONSTRUCTION

SIGNED: _____
DATE: _____
W.O.: _____
S/N: _____



P.O. BOX 6280, INNISFAIL, AB T4G 1S9
PH: (403) 227-4100 FAX: (403) 227-4102

THIS DRAWING IS PROPERTY OF NWP INDUSTRIES INC. AND MAY NOT BE REPRODUCED WITHOUT PERMISSION. THIS DRAWING MUST BE RETURNED UPON REQUEST.

ENCANA CORPORATION
LINEHEATER AND METERING PACKAGE
2.00 MMBTU/HR, 62" OD X 240" S/S
(1) 4" - 600# JR METER RUN
GENERAL ARRANGEMENT

DWN: VW CHK: Q APP: (M)
DATE: NOV 30/12 DATE: JAN 08 2013 DATE: Jun 8 / 2013
SCALE: 1:50 DWG: 08468-001-002 REV: 0
SHEET: 3 OF 3

ALL DIMENSIONS IN INCHES