

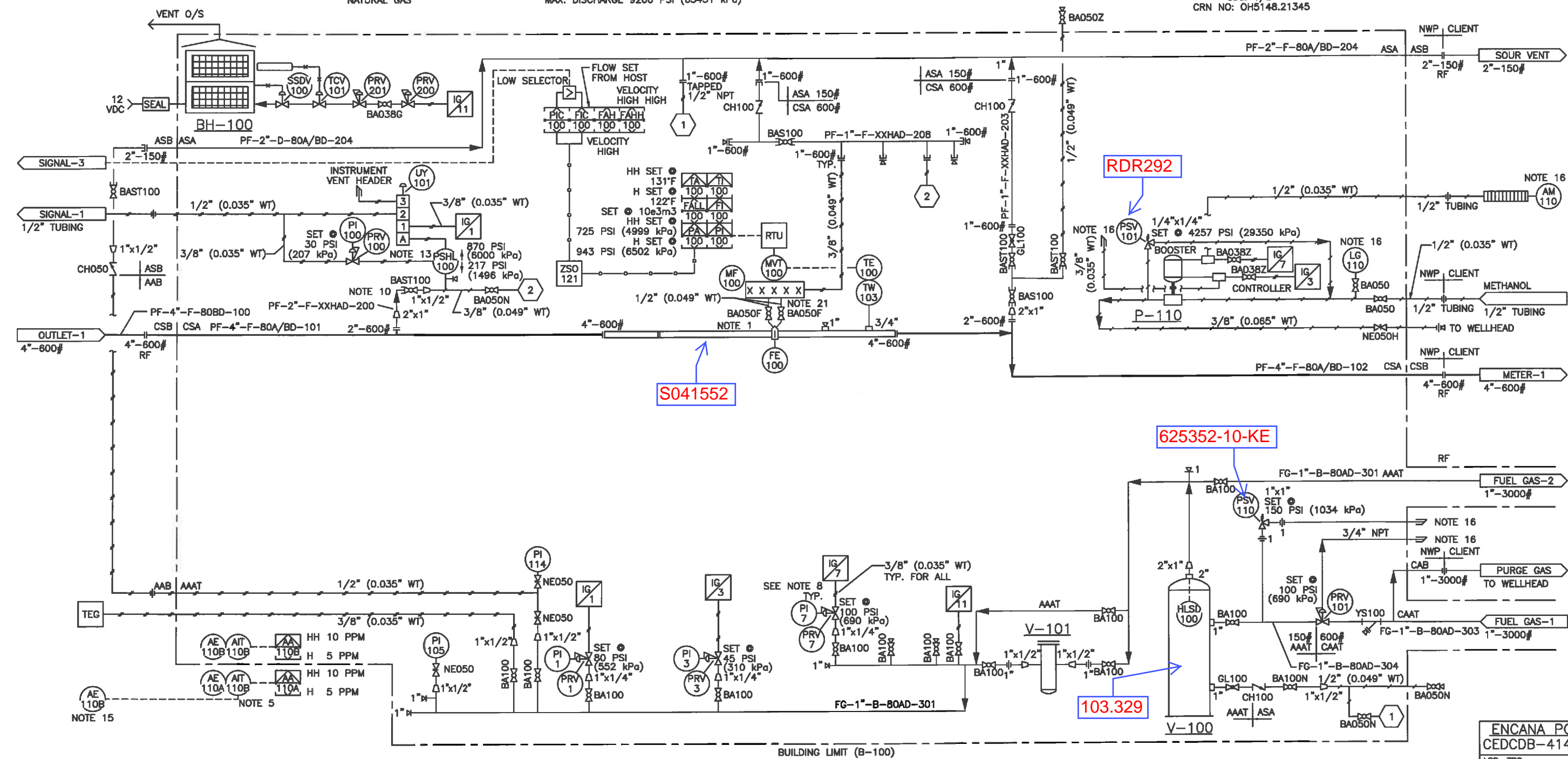
ORIGINAL

BH-100
BUILDING HEATER
 MFR: CATADYNE
 SIZE: 24" x 24"
 12 VDC
 NATURAL GAS

P-110
METHANOL PUMP
 MFR: WILLIAMS
 MDL NO: CRP500V400CRTC
 c/w 1/2" PLUNGER
 MAX. DISCHARGE 9200 PSI (63431 kPa)

V-101
FUEL GAS FILTER
 MFR: HEADLINE
 MDL NO: 370A-70
 MAWP 230 PSI, 1/2" NPT

V-100
FUEL GAS SCRUBBER
 MFR: LOTECH
 SIZE: 8 5/8" OD x 30" OAL
 MAWP: 285 PSI (1965 kPa) @ 650°F
 C.A.: 1/8"
 CRN NO: OH5148.21345



ENCANA PO#
 CEDCDB-41406
 LSD: TBD

DOCUMENT NO.	DESCRIPTION	REV	DATE	BY	CHK	APP	DESCRIPTION
08468-5	BATH ASSEMBLY						
08468-4	COIL ASSEMBLY						
08468-3	SKID ASSEMBLY	0	NOV 14/12	MJH			ISSUED FOR CONSTRUCTION
08468-2	PIPING ASSEMBLY	B	2012.09.24	EP			RE-ISSUED FOR APPROVAL
08468	GENERAL ARRANGMENT	A	2012.08.01	EP			ISSUED FOR APPROVAL
REFERENCE DRAWINGS		DRAWING REVISIONS					

AS BUILT

ISSUED FOR CONSTRUCTION
 SIGNED: _____
 DATE: _____
 W.O.: _____
 S.N.: _____
 ALL DIMENSIONS IN INCHES

NWP INDUSTRIES INC.
 Total oilfield supply.
 P.O. BOX 6280, INNISFAIL, AB T4G 1S9
 PH: (403) 227-4100 FAX: (403) 227-4102

ENCANCA CORPORATION
 LINEHEATER AND METERING PACKAGE
 2.0 MMBTU/HR 62" OD x 240" S/S
 (1) 4"-600 ANSI JR METER RUNS
 PIPING & INSTRUMENTATION DIAGRAM

DWN: EP	CHK: <i>[Signature]</i>	APP: <i>[Signature]</i>
DATE: 2012.08.01	DATE: JAN 04 2013	DATE: Jan 4 2013
SCALE: N.T.S.	DWG: 08468-1	REV: 0
SHEET: 1 OF 3		

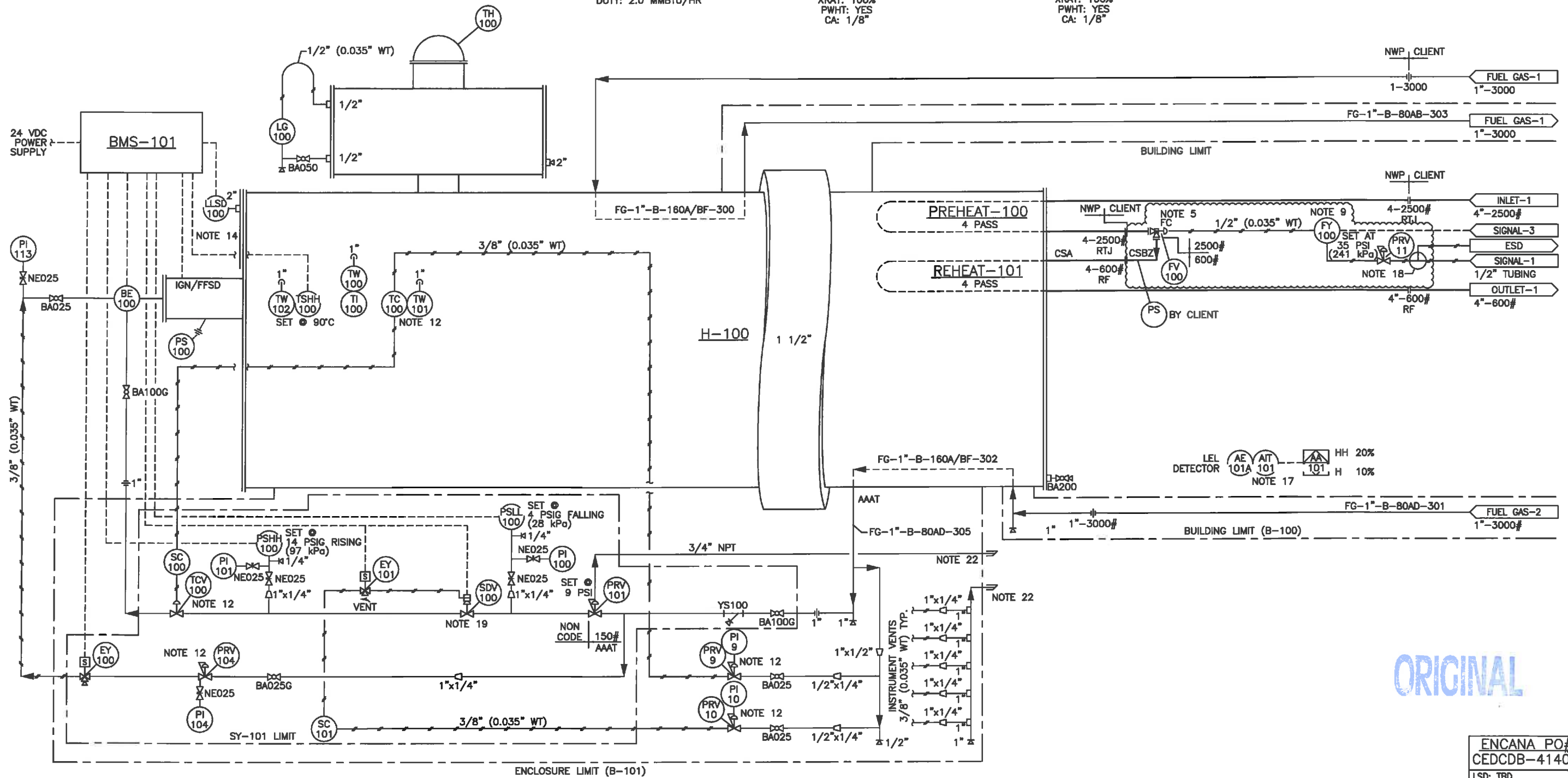
THIS DRAWING IS PROPERTY OF NWP INDUSTRIES INC. AND MAY NOT BE REPRODUCED WITHOUT PERMISSION. THIS DRAWING MUST BE RETURNED UPON REQUEST.

BMS-100
BURNER MANAGEMENT SYSTEM
 MODEL NO: ACL 5500
 24 VDC

H-100
LINE HEATER
 MFR: NWP INDUSTRIES
 SIZE: 62" x 240" S/S
 DUTY: 2.0 MMBTU/HR

PREHEAT-100
COIL A
 MFR: NWP INDUSTRIES
 DESIGN: 4503 PSIG (31047 kPa) @ 200°F
 XRAY: 100%
 PWHT: YES
 CA: 1/8"

REHEAT-101
COIL B
 MFR: NWP INDUSTRIES
 DESIGN: 1350 PSIG (9308 kPa) @ 200°F
 XRAY: 100%
 PWHT: YES
 CA: 1/8"



ORIGINAL

ENCANA PO#
 CEDCDB-41406
 LSD: TBD

DOCUMENT NO.	DESCRIPTION	REV	DATE	BY	CHK	APP	DESCRIPTION
08468-5	BATH ASSEMBLY						
08468-4	COIL ASSEMBLY						
08468-3	SKID ASSEMBLY	0	NOV 14/12	MJH	J		ISSUED FOR CONSTRUCTION
08468-2	PIPING ASSEMBLY	B	2012.09.24	EP	.	.	RE-ISSUED FOR APPROVAL
08468	GENERAL ARRANGMENT	A	2012.08.01	EP	.	.	ISSUED FOR APPROVAL
REFERENCE DRAWINGS	DRAWING REVISIONS						

AS BUILT

ISSUED FOR CONSTRUCTION

SIGNED: _____
 DATE: _____
 W.O.: _____
 S.N.: _____



Total oilfield supply.
 P.O. BOX 6280, INNISFAIR, AB T4G 1S9
 PH: (403) 227-4100 FAX: (403) 227-4102

ENCANCA CORPORATION
 LINEHEATER AND METERING PACKAGE
 2.0 MMBTU/HR 62" OD x 240" S/S
 (1) 4"-600 ANSI JR METER RUNS
 PIPING & INSTRUMENTATION DIAGRAM

DWN: EP	CHK: <i>J</i>	APP: <i>EP</i>
DATE: 2012.08.01	DATE: JAN 04 2013	DATE: Jan 4 2013
SCALE: N.T.S.	DWG: 08468-1	REV: 0
SHEET: 2 OF 3		

NOTES

- PIPE SUPPORTS WHERE REQUIRED.
- SHIP LOOSE ITEMS TO BE BOXED AND SEALED PRIOR TO SHIPMENT.
- PLUG ALL OUTLETS PRIOR TO SHIPMENT.
- ELECTRICAL BY NWP.
- MOUNT DUAL CHANNEL H2S DETECTOR OUTSIDE BUILDING ON FLANGE SUPPORT MOUNTED TO CHOKE VALVE FV-100.
- 2" FOAM INSULATION UNDER BUILDING FLOOR.
- 316 SS SEAMLESS TUBING AND 316 SS FITTINGS.
- VENT V-100 SUPPLIED INSTRUMENTS TO COMMON 1" VENT HEADER.
- FY-100 IS MOUNTED TO CHOKE VALVE FV-100.
- NO LIQUID TRAPS.
- VENT VALVE TRAIN ENCLOSURE INSTRUMENTS TO COMMON 1" VENT HEADER.
- SET POINT NOT TO EXCEED 600 ANSI @ 200°F.
- REMOVABLE COIL INSPECTION PLATE.
- SPARE H2S SENSOR FOR CLIENT TO MOUNT ON WELLHEAD.
- VENT OUTSIDE BUILDING TO ATMOSPHERE AT EAVE HEIGHT.
- PROVISIONS FOR THE LEL DETECTOR WILL BE SUPPLIED, CLIENT WILL SUPPLY LEL MONITOR.
- INSTALL 1/2" ESD TUBING TEE AS CLOSE TO THE OUTSIDE WALL AS POSSIBLE.
- B149.3 COMPLIANT.
- ENCA SPCS:
- 1/2" NIPPLES SCH XXH
- VENT OUT ROOF AWAY FROM RTU PANEL.

ECA-PVF-S-01 REV A.2 ECA-WELD-S-01 REV A.1 ECA-PKG-S-03 REV B.1
 ECA-PVF-S-02 REV A.2 ECA-INST-S-01 REV C ECA-FIREH-S-01 REV A.1
 ECA-PVF-S-03 REV 1 ECA-PVF-R-02 REV 0 ECA-VESL-S-01 REV D
 ECA-PVF-S-04 REV 1 ECA-COAT-S-01 REV 1

LEGEND

- MAJOR PROCESS LINE
- UTILITY LINE
- BUILDING LIMITS
- PROCESS/UTILITY TUBING LINE
- INSTRUMENT PNEUMATIC LINE
- INSTRUMENT CAPILLARY LINE
- ELECTRICAL DATALINK LINE
- ELECTRICAL CONNECTION LINE
- BALL VALVE
- GLOBE VALVE
- GATE VALVE
- CHECK VALVE
- PLUG VALVE
- NEEDLE VALVE
- STRAIGHT CHOKE VALVE
- SOCKET WELD VALVE
- RUPTURE VALVE
- SOLENOID VALVE
- BUTTERFLY VALVE
- 3-WAY VALVE
- 4-WAY VALVE
- DIAPHRAGM ACTUATED CONTROL VALVE
- PRESSURE REGULATOR
- 3-WAY DIAPHRAGM CONTROL VALVE
- THREADOLET c/w PLUG
- FLANGE SET
- UNION
- CAP
- PIPE BREAK
- SOCKET WELD CONNECTIN
- VENT
- REDUCER/SWAGE
- STRAINER
- FLEXIBLE HOSE
- SPECTACLE BLIND OPEN
- SPECTACLE BLIND CLOSED
- THREADOLET/COUPLING
- FLANGED NOZZLE
- MANWAY

LINE TAGGING

- XX-X"-X-XXXX-XXX
- CONDENSATE - C
 - DRAIN - D
 - FUEL GAS - FG
 - LIQUID - L
 - LEAN GLYCOL - LG
 - METHANOL - M
 - OIL - O
 - PROCESS FLUID - PF
 - PROCESS GAS - PG
 - PRESSURE RELIEF - PR
 - RICH GLYCOL - RG
 - WATER - W
- NOMINAL PIPE SIZE
- CLASS 2000 THREADED - A
 - CLASS 3000 THREADED - B
 - CLASS 6000 THREADED - C
 - 150 ANSI FLANGED - D
 - 300 ANSI FLANGED - E
 - 600 ANSI FLANGED - F
 - 900 ANSI FLANGED - G
 - 1500 ANSI FLANGED - H
 - 2500 ANSI FLANGED - I
- 100-199 MAJOR PROCESS FLUIDS
 200-249 MINOR PROCESS FLUIDS
 250-299 RELIEF, DRAINS
 300-399 UTILITY VAPOURS
 400-499 UTILITY LIQUIDS
- INSTRUMENT TUBING
- A - GALVANIZED TUBING w/ CS FITTINGS
 - B - 304W SS TUBING w/ CS FITTINGS
 - C - 304W SS TUBING w/ 316 SS FITTINGS
 - D - 316 SS TUBING w/ 316 SS FITTINGS
 - E - 316 SS TUBING w/ CS FITTINGS
 - F - NOT APPLICABLE
- PIPE GRADE
- A - SA-106B
 - B - SA-333 GR.6
- PIPE SCHEDULE

VALVE TAGGING

- XX XX XXX XX
- BALL VALVE - BA
 - NEEDLE VALVE - NE
 - GLOBE VALVE - GL
 - CHECK VALVE - CH
 - GATE VALVE - GA
 - BUTTERFLY VALVE - BU
 - Y-STRAINER - YS
 - FLANGED - F
 - SOCKET WELD - S
 - SOCKET x THRD - ST
- 025 - 1/4" THRD*
 038 - 3/8" THRD*
 050 - 1/2" THRD*
 075 - 3/4" THRD*
 100 - 1" THRD*
 201 - 2" 150 ANSI
 303 - 3" 300 ANSI
 406 - 4" 600 ANSI
 609 - 6" 900 ANSI
 815 - 8" 1500 ANSI
 1025 - 10" 2500 ANSI
 * RATINGS SPECIFIED AS PER PDL
- N - NACE
 - H - HIGH PRESSURE
 - F - FULL PORT
 - L - LOW TEMP
 - G - GAS SERVICE
 - Z - SPECIAL

- ANGLE VALVE
- RELIEF VALVE
- ANGLE CHOKE VALVE
- PRESSURE ACTUATED CONTROL VALVE/AMOT
- ORIFICE METER
- METER RUN
- TURBINE METER
- VENTURI
- 5-VALVE MANIFOLD
- THREADOLET c/w PLUG
- FLANGE SET
- UNION
- CAP
- PIPE BREAK
- SOCKET WELD CONNECTIN
- VENT
- REDUCER/SWAGE
- STRAINER
- FLEXIBLE HOSE
- SPECTACLE BLIND OPEN
- SPECTACLE BLIND CLOSED
- THREADOLET/COUPLING
- FLANGED NOZZLE
- MANWAY

- PAGE CONNECTOR
- SPEC/RESPONSIBLY BREAK
- SPEC/RESPONSIBLY BREAK
- LOCALLY MOUNTED INSTRUMENT
- SHARED DISPLAY SHARED CONTROL
- FIELD MOUNTED
- RTU PANEL
- 1/8 TO AND FROM

ORIGINAL

ENCANA PO#
 CEDCDB-41406
 LSD: TBD

AS BUILT								ISSUED FOR CONSTRUCTION		NWP INDUSTRIES INC. Total oilfield supply. P.O. BOX 6280, INNISFAIL, AB T4G 1S9 PH: (403) 227-4100 FAX: (403) 227-4102		ENCANCA CORPORATION LINEHEATER AND METERING PACKAGE 2.0 MMBTU/HR 62" OD x 240" S/S (1) 4"-600 ANSI JR METER RUNS PIPING & INSTRUMENTATION DIAGRAM LEGEND			
08468-5	BATH ASSEMBLY							SIGNED:				DWN: EP	CHK:	APP:	
08468-4	COIL ASSEMBLY							DATE:				DATE: 2012.08.01	DATE: JAN 04 2013	DATE: Jan 4 2013	
08468-3	SKID ASSEMBLY	0	NOV 14/12	MJH				W.O.:				SCALE: N.T.S.	DWG: 08468-1	REV: 0	
08468-2	PIPING ASSEMBLY	B	2012.09.24	EP	.	.		S.N.:				SHEET: 3 OF 3			
08468	GENERAL ARRANGMENT	A	2012.08.01	EP	.	.									
DOCUMENT NO.	DESCRIPTION	REV	DATE	BY	CHK	APP	DESCRIPTION	ALL DIMENSIONS IN INCHES							
REFERENCE DRAWINGS		DRAWING REVISIONS													