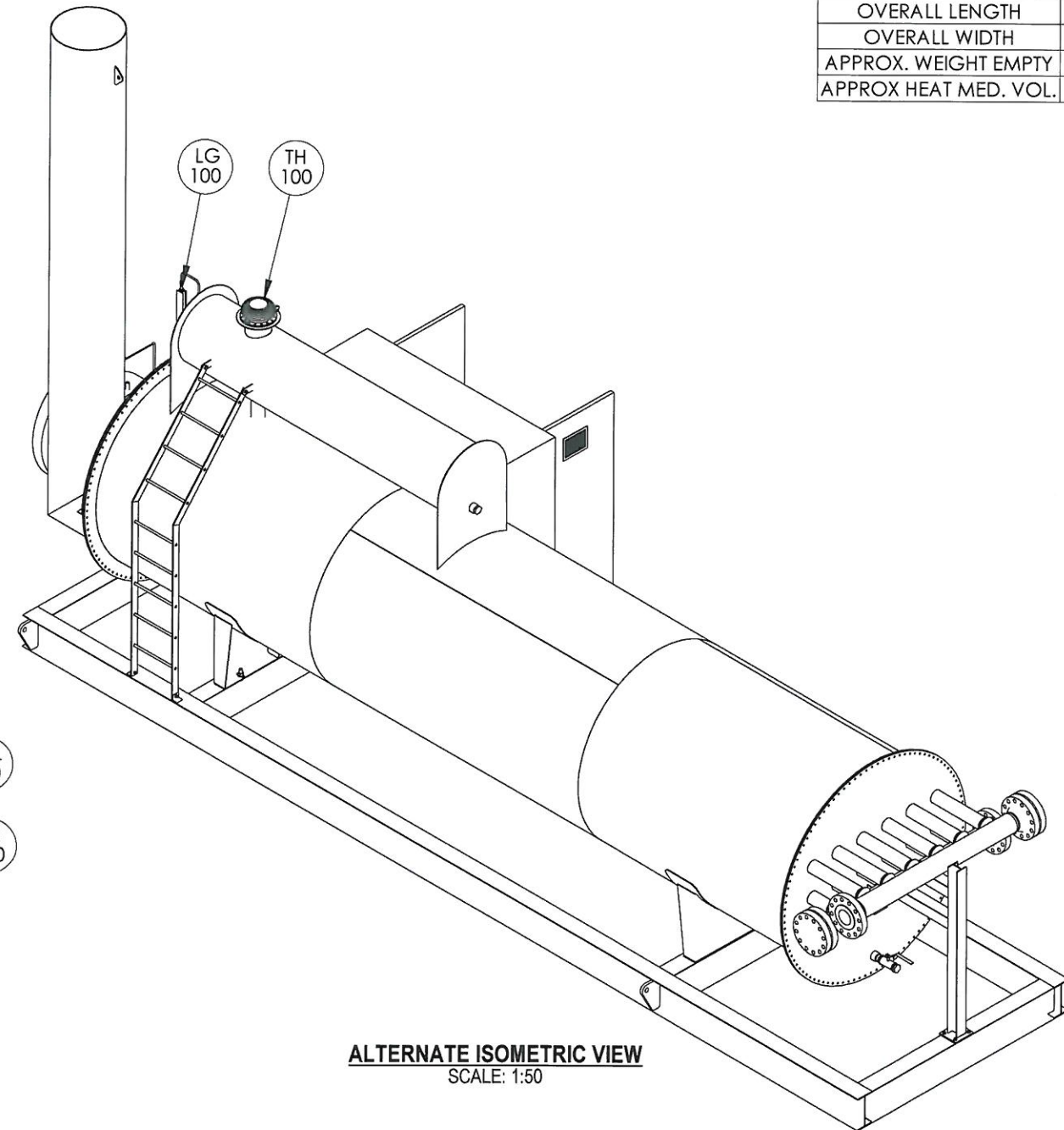
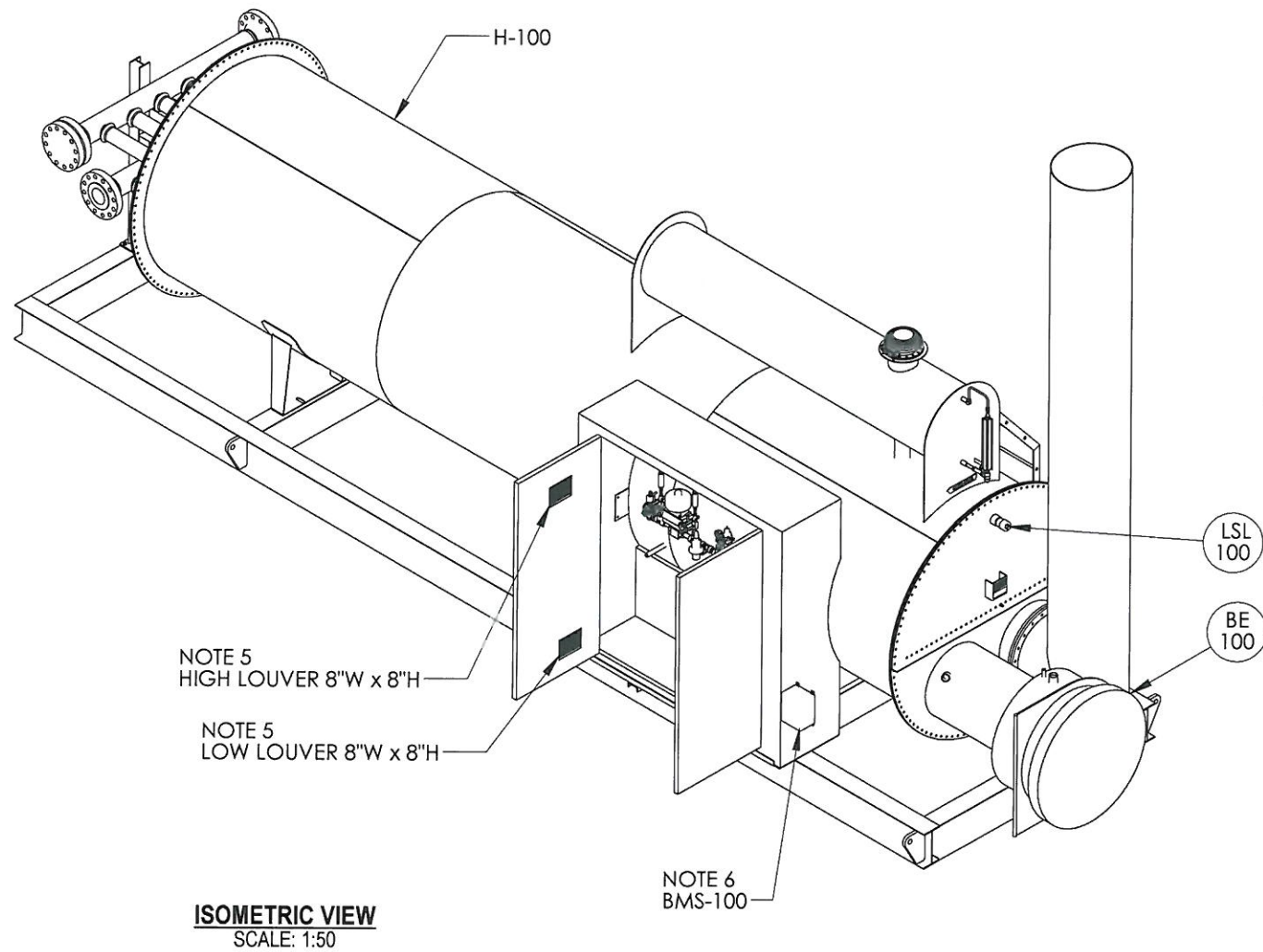


SHIPPING DATA	
OVERALL HEIGHT	138 7/8"
OVERALL LENGTH	410 1/4"
OVERALL WIDTH	107 7/8"
APPROX. WEIGHT EMPTY	23,000 LBS
APPROX HEAT MED. VOL.	545 cu ft.





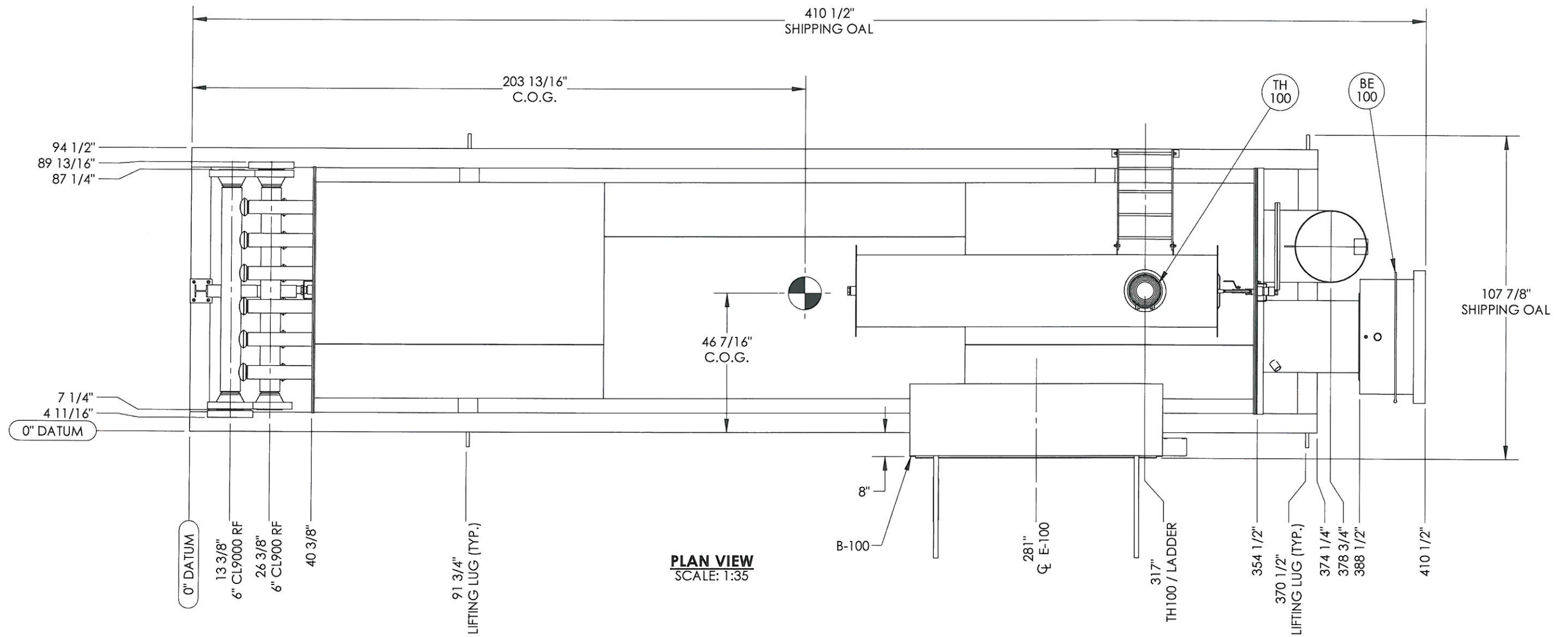
ORIGINAL

ENCANA PO#	PO46907
NWP UNIT	LSD
08983-001	05-07-078-11 W6M


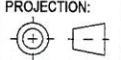
NOTES

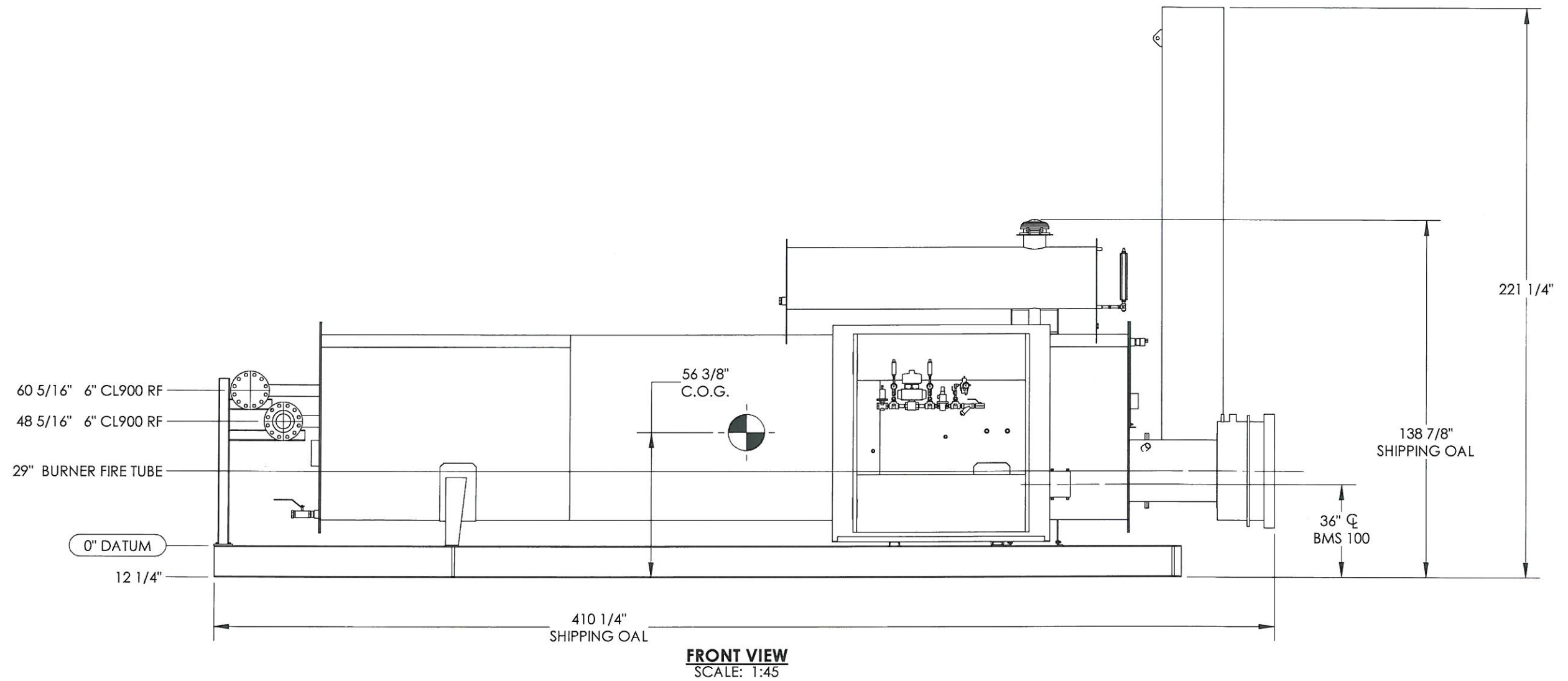
- 24 oz. PNEUMATIC TEST REQUIRED ON SHELL & FIRETUBE.
- PIPE SUPPORTS WHERE REQUIRED.
- SHIP LOOSE ITEMS TO BE BOXED AND SEALED PRIOR TO SHIPMENT.
- PLUG ALL OUTLETS PRIOR TO SHIPMENT.
- LOUVERS MUST BE LOCATED AS SHOWN IN THIS ORIENTATION.
- BMS-100 MUST HAVE CONTROLS ROTATED 90° TO FACE PLATFORM SUPPLIED IN FIELD.

				ISSUED FOR CONSTRUCTION		 INDUSTRIES INC. Total oilfield supply.		ENCANA CORPORATION SOUR LINEHEATER PACKAGE 2.5 MMBTU/HR 72" OD x 26' LG					
				SIGNED: _____				GENERAL ARRANGEMENT					
				DATE: _____				DWN: EB		CHK: JWC		APP: JWC	
				W.O.: _____				DATE: MAY 15/2014		DATE: JUL 17 2014		DATE: JUL 16 2014	
				S/N: _____				PROJECTION: 		SCALE: AS NOTED		SHEET: 1 OF 4	
				DRAWING REVISIONS		ALL DIMENSIONS IN INCHES		WEIGHT: (APPROX LBS)		DWG: 08983-001-G-001		REV: 0	
0	JULY 02/14	EB	JWC	JWC	ISSUED FOR CONSTRUCTION								
A	MAY 16/14	EB			ISSUED FOR APPROVAL								



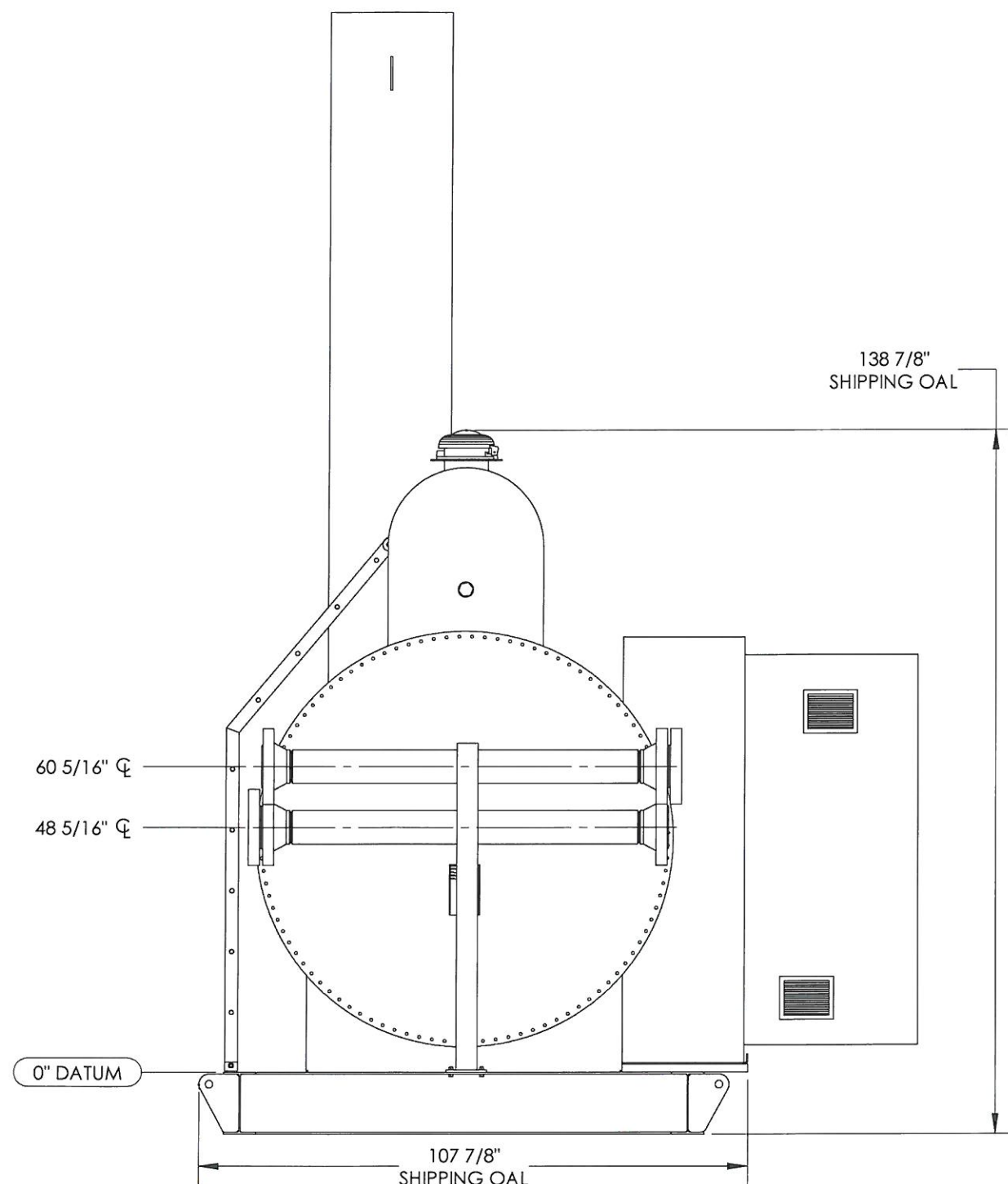
ORIGINAL

				ISSUED FOR CONSTRUCTION		 NWP INDUSTRIES INC. Total oilfield supply.		ENCANA CORPORATION SOUR LINEHEATER PACKAGE 2.5 MMBTU/HR 72" OD x 28' LG																					
				SIGNED: _____				GENERAL ARRANGEMENT																					
				DATE: _____				DWN: EB	CHK: <i>JWC</i>	APP: <i>EB</i>																			
				W.O.: _____		P.O. BOX 6280, INNISFAIL, AB T4G 1S9 PH: (403) 227-4100 FAX: (403) 227-4102		DATE: MAY 15/2014	DATE: JUL 17 2014	DATE: JUL 16 2014																			
				S/N: _____				SHEET: 2 OF 4	DWG: 08983-001-G-001	REV: 0																			
<table border="1"> <thead> <tr> <th>REV.</th> <th>DATE</th> <th>BY:</th> <th>CHK:</th> <th>APP:</th> <th>DESCRIPTION</th> </tr> </thead> <tbody> <tr> <td>0</td> <td>JULY 02/14</td> <td>EB</td> <td><i>JWC</i></td> <td><i>EB</i></td> <td>ISSUED FOR CONSTRUCTION</td> </tr> <tr> <td>A</td> <td>MAY 16/14</td> <td>EB</td> <td></td> <td></td> <td>ISSUED FOR APPROVAL</td> </tr> </tbody> </table>				REV.	DATE	BY:	CHK:	APP:	DESCRIPTION	0	JULY 02/14	EB	<i>JWC</i>	<i>EB</i>	ISSUED FOR CONSTRUCTION	A	MAY 16/14	EB			ISSUED FOR APPROVAL	ALL DIMENSIONS IN INCHES		PROJECTION: 		SCALE: AS NOTED			
REV.	DATE	BY:	CHK:	APP:	DESCRIPTION																								
0	JULY 02/14	EB	<i>JWC</i>	<i>EB</i>	ISSUED FOR CONSTRUCTION																								
A	MAY 16/14	EB			ISSUED FOR APPROVAL																								
DRAWING REVISIONS						WEIGHT: (APPROX. LBS)																							

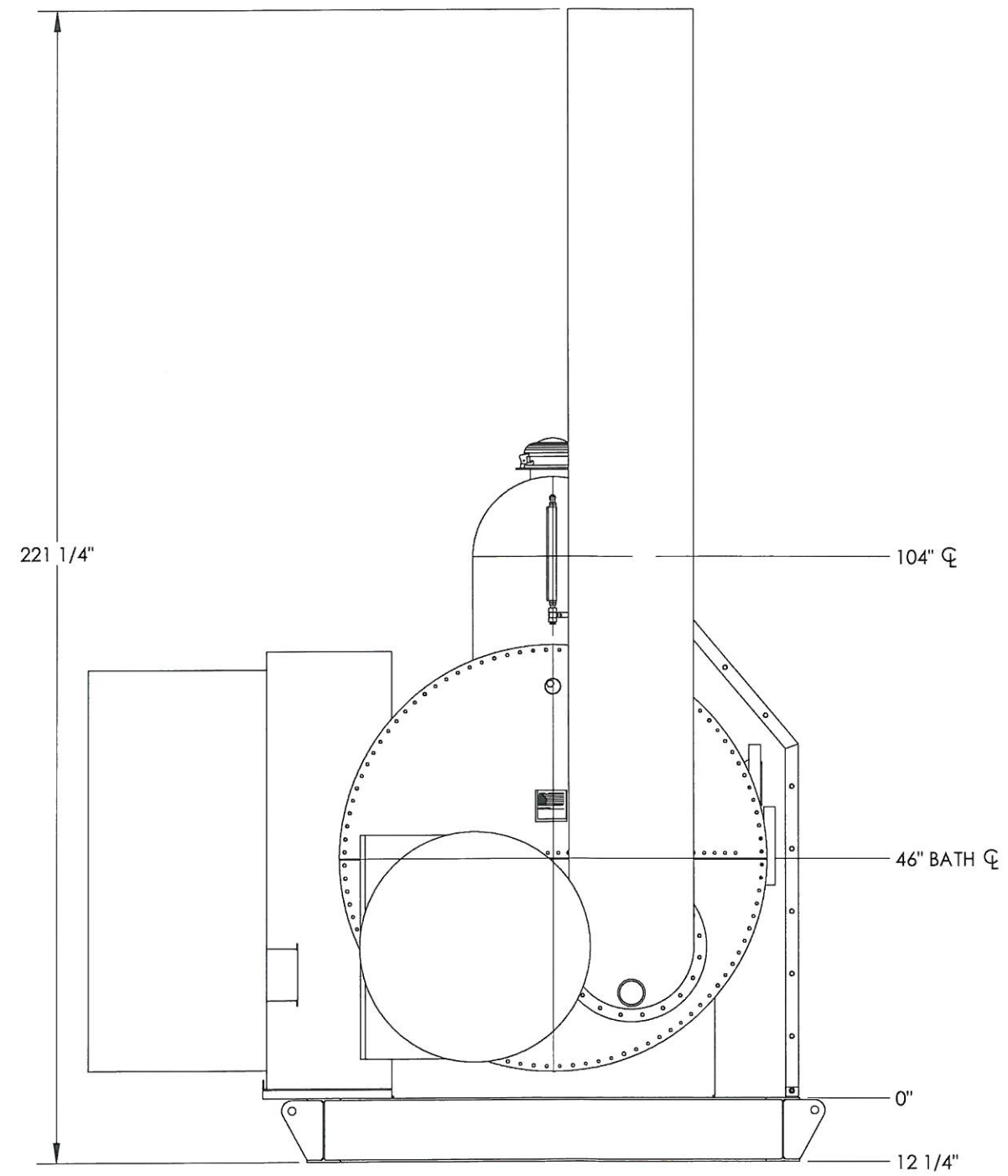


ORIGINAL

<table border="1"> <thead> <tr> <th>REV.</th> <th>DATE</th> <th>BY:</th> <th>CHK:</th> <th>APP:</th> <th>DESCRIPTION</th> </tr> </thead> <tbody> <tr> <td>0</td> <td>JULY 02/14</td> <td>EB</td> <td>JW</td> <td>AS</td> <td>ISSUED FOR CONSTRUCTION</td> </tr> <tr> <td>A</td> <td>MAY 16/14</td> <td>EB</td> <td></td> <td></td> <td>ISSUED FOR APPROVAL</td> </tr> </tbody> </table>					REV.	DATE	BY:	CHK:	APP:	DESCRIPTION	0	JULY 02/14	EB	JW	AS	ISSUED FOR CONSTRUCTION	A	MAY 16/14	EB			ISSUED FOR APPROVAL	<p>ISSUED FOR CONSTRUCTION</p> <p>SIGNED: _____</p> <p>DATE: _____</p> <p>W.O.: _____</p> <p>S/N: _____</p>		<p>NWP INDUSTRIES INC. Total oilfield supply.</p> <p>P.O. BOX 6280, INNISFAIL, AB T4G 1S9 PH: (403) 227-4100 FAX: (403) 227-4102</p>		<p>ENCANA CORPORATION SOUR LINEHEATER PACKAGE 2.5 MMBTU/HR 72" OD x 26' LG</p> <p>GENERAL ARRANGEMENT</p>			
					REV.	DATE	BY:	CHK:	APP:	DESCRIPTION																				
0	JULY 02/14	EB	JW	AS	ISSUED FOR CONSTRUCTION																									
A	MAY 16/14	EB			ISSUED FOR APPROVAL																									
<p>DRAWING REVISIONS</p> <p>ALL DIMENSIONS IN INCHES</p>		<p>PROJECTION: </p> <p>SCALE: AS NOTED</p> <p>WEIGHT: (APPROX. LBS)</p>		<p>DWN: EB</p> <p>DATE: MAY 15/2014</p> <p>SHEET: 3 OF 4</p>		<p>CHK: JW</p> <p>DATE: JUL 17 2014</p> <p>DWG: 08983-001-G-001</p>		<p>APP: AS</p> <p>DATE: JUL 16 2014</p> <p>REV: 0</p>																						



COIL END VIEW
SCALE: 1:30



ORIGINAL

<table border="1"> <thead> <tr> <th>REV.</th> <th>DATE</th> <th>BY:</th> <th>CHK:</th> <th>APP:</th> <th>DESCRIPTION</th> </tr> </thead> <tbody> <tr> <td>0</td> <td>JULY 02/14</td> <td>EB</td> <td>JJE</td> <td>EA</td> <td>ISSUED FOR CONSTRUCTION</td> </tr> <tr> <td>A</td> <td>MAY 16/14</td> <td>EB</td> <td></td> <td></td> <td>ISSUED FOR APPROVAL</td> </tr> </tbody> </table>					REV.	DATE	BY:	CHK:	APP:	DESCRIPTION	0	JULY 02/14	EB	JJE	EA	ISSUED FOR CONSTRUCTION	A	MAY 16/14	EB			ISSUED FOR APPROVAL	<p>ISSUED FOR CONSTRUCTION</p> <p>SIGNED: _____</p> <p>DATE: _____</p> <p>W.O.: _____</p> <p>S/N: _____</p>		<p>NWP INDUSTRIES INC. Total oilfield supply.</p> <p>P.O. BOX 6280, INNISFAIL, AB T4G 1S9 PH: (403) 227-4100 FAX: (403) 227-4102</p>		<p>ENCANA CORPORATION SOUR LINEHEATER PACKAGE 2.5 MMBTU/HR 72" OD x 26' LG</p>			
					REV.	DATE	BY:	CHK:	APP:	DESCRIPTION																				
0	JULY 02/14	EB	JJE	EA	ISSUED FOR CONSTRUCTION																									
A	MAY 16/14	EB			ISSUED FOR APPROVAL																									
DRAWING REVISIONS						ALL DIMENSIONS IN INCHES		<p>PROJECTION: </p> <p>SCALE: AS NOTED</p> <p>WEIGHT: (APPROX. LBS)</p>		<p>GENERAL ARRANGEMENT</p> <p>DWN: EB CHK: JJE APP: EA</p> <p>DATE: MAY 15/2014 DATE: JUL 17 2014 DATE: JUL 16 2014</p> <p>SHEET: 4 OF 4 DWG: 08983-001-G-001 REV: 0</p>																				