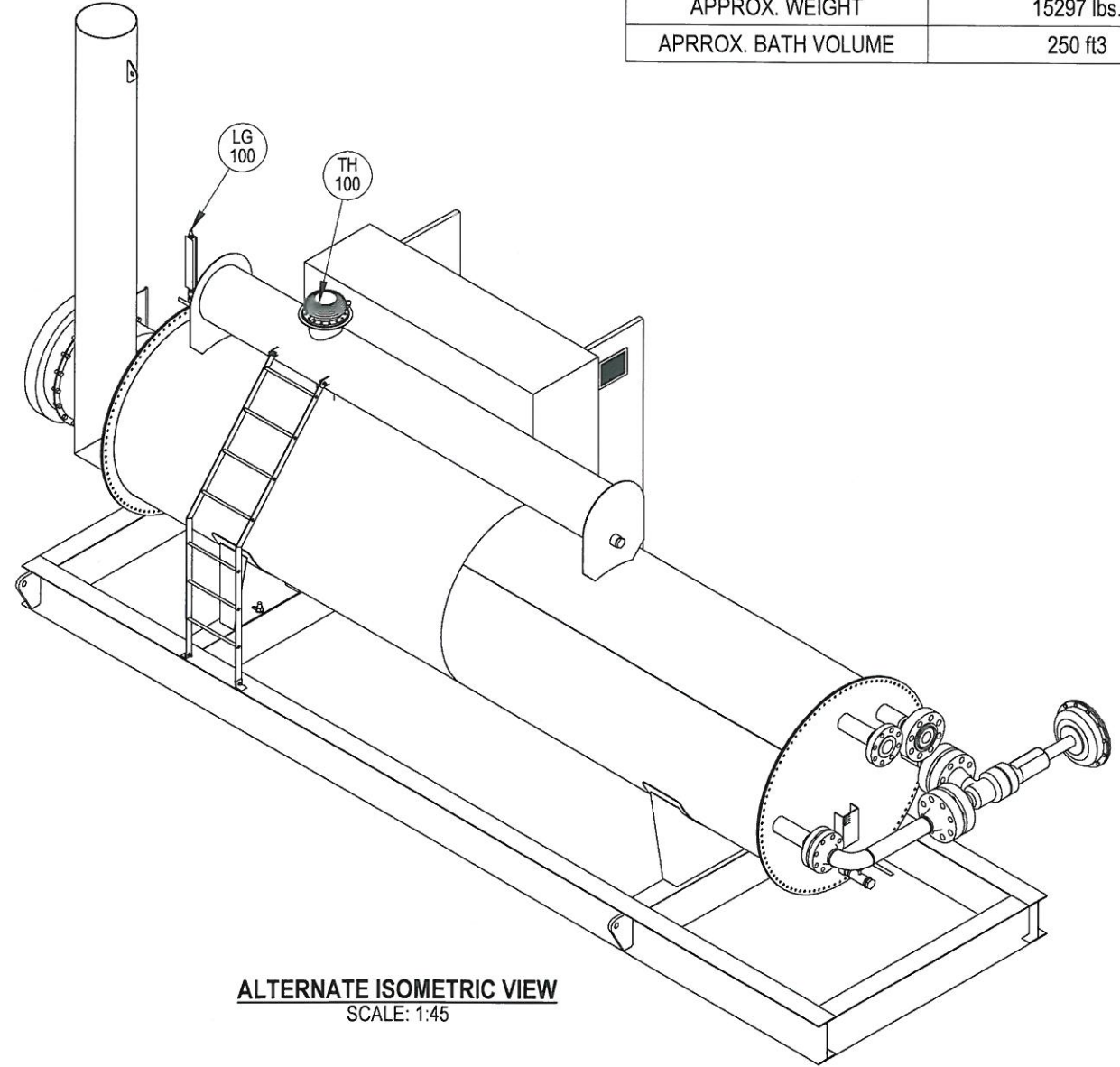
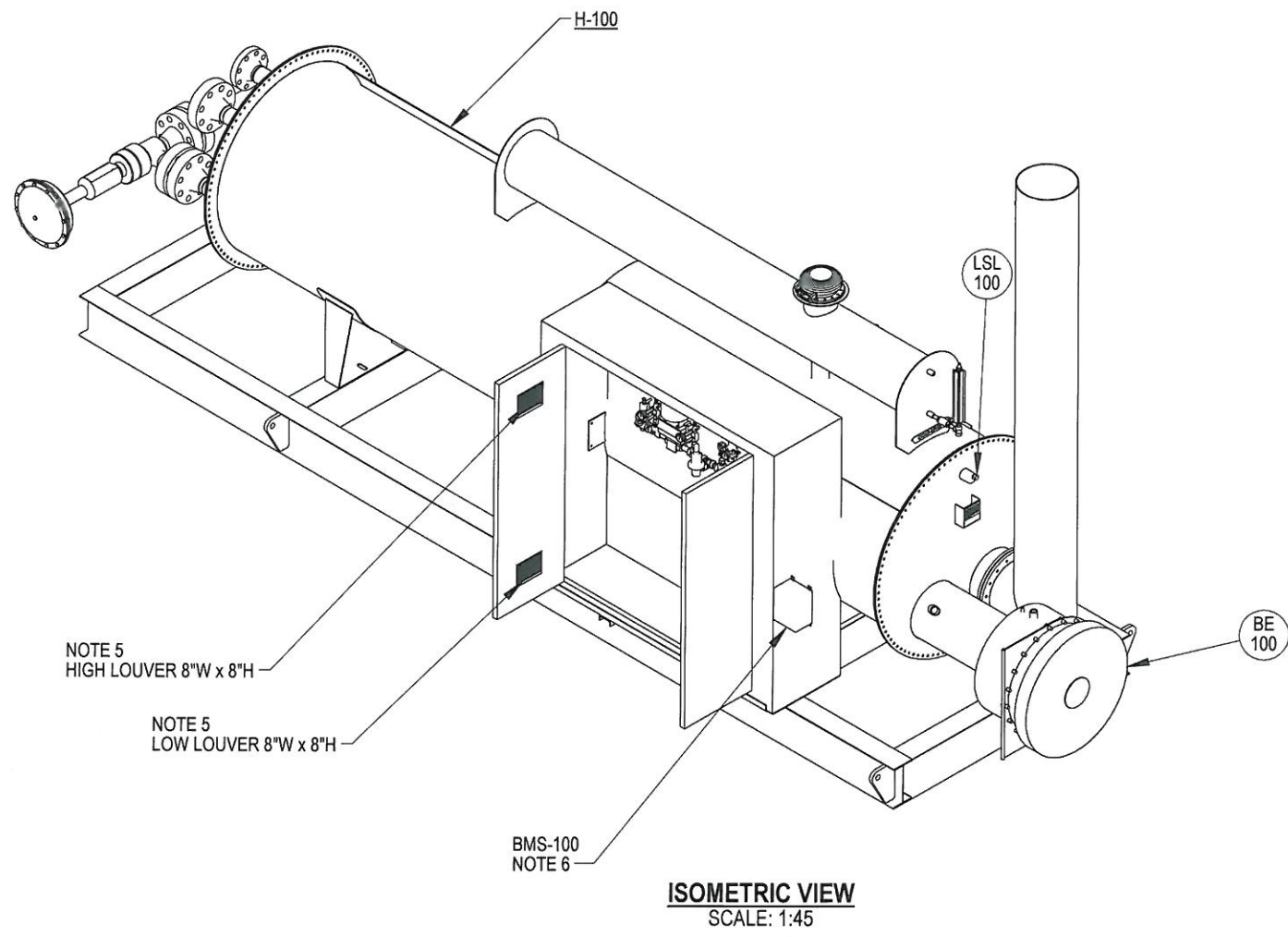


SHIPPING DATA	
OVERALL HEIGHT	111 1/2"
OVERALL LENGTH	326 3/16"
OVERALL WIDTH	95 1/2"
APPROX. WEIGHT	15297 lbs.
APPROX. BATH VOLUME	250 ft3



ORIGINAL

NOTES

- 1. 24 oz. PNEUMATIC TEST REQUIRED ON SHELL & FIRETUBE.
- 2. PIPE SUPPORTS WHERE REQUIRED.
- 3. SHIP LOOSE ITEMS TO BE BOXED AND SEALED PRIOR TO SHIPMENT.
- 4. PLUG ALL OUTLETS PRIOR TO SHIPMENT.
- 5. LOUVERS MUST BE LOCATED AS SHOWN IN THIS ORIENTATION.
- 6. BMS-100 MUST HAVE CONTROLS ROTATED 90° TO FACE PLATFORM SUPPLIED IN FIELD.

ENCANA PO# PO46892		
JOB #	LSD	
08982-001	05-07-078-11 W6M	

REV.	DATE	BY:	CHK:	APP:	DESCRIPTION
0	MAY 27/14	CT	<i>[Signature]</i>	<i>[Signature]</i>	ISSUED FOR CONSTRUCTION
A	APR 28/14	CT			ISSUED FOR APPROVAL

ISSUED FOR CONSTRUCTION

SIGNED: _____

DATE: _____

W.O.: _____

S/N: _____

NWP
INDUSTRIES INC.
Total oilfield supply.

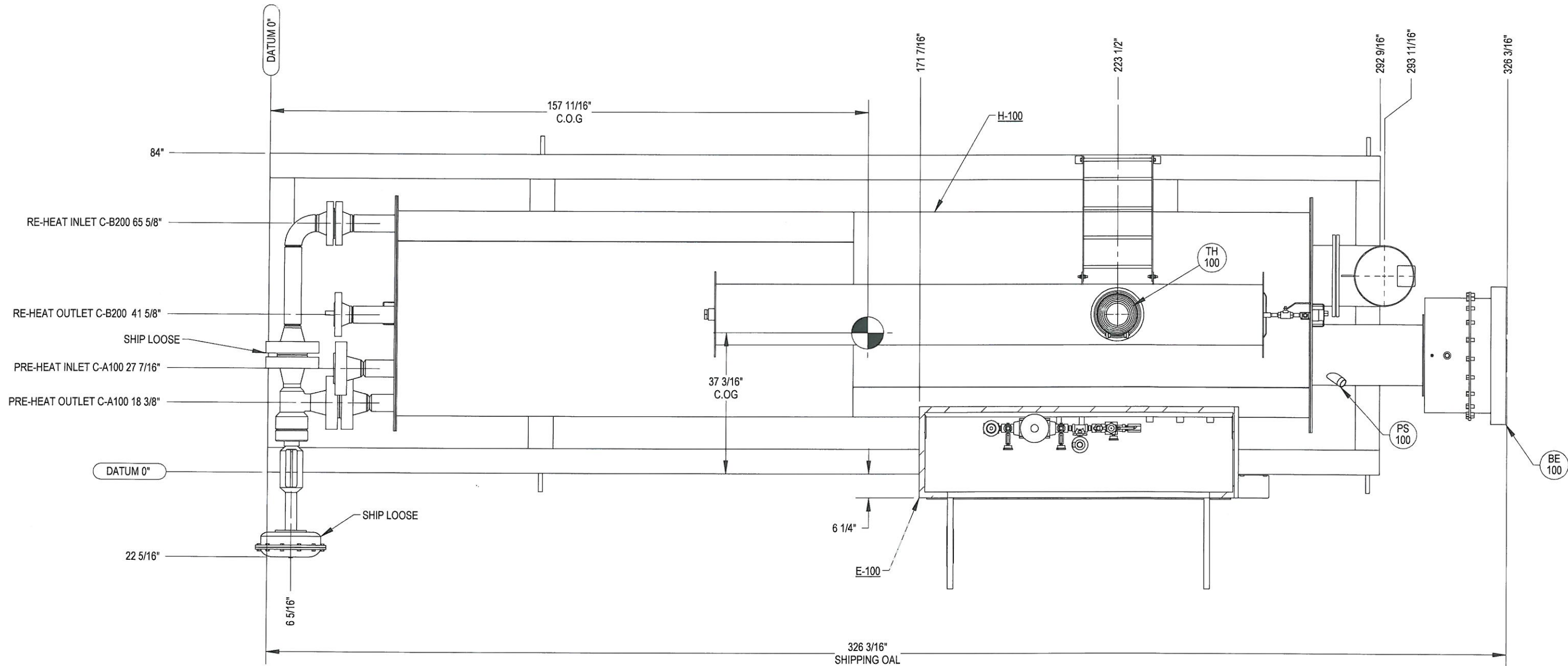
P.O. BOX 6280, INNISFAIL, AB T4G 1S9
PH: (403) 227-4100 FAX: (403) 227-4102

PROJECTION:

SCALE: AS NOTED

WEIGHT: (APPROX. LBS) 15297

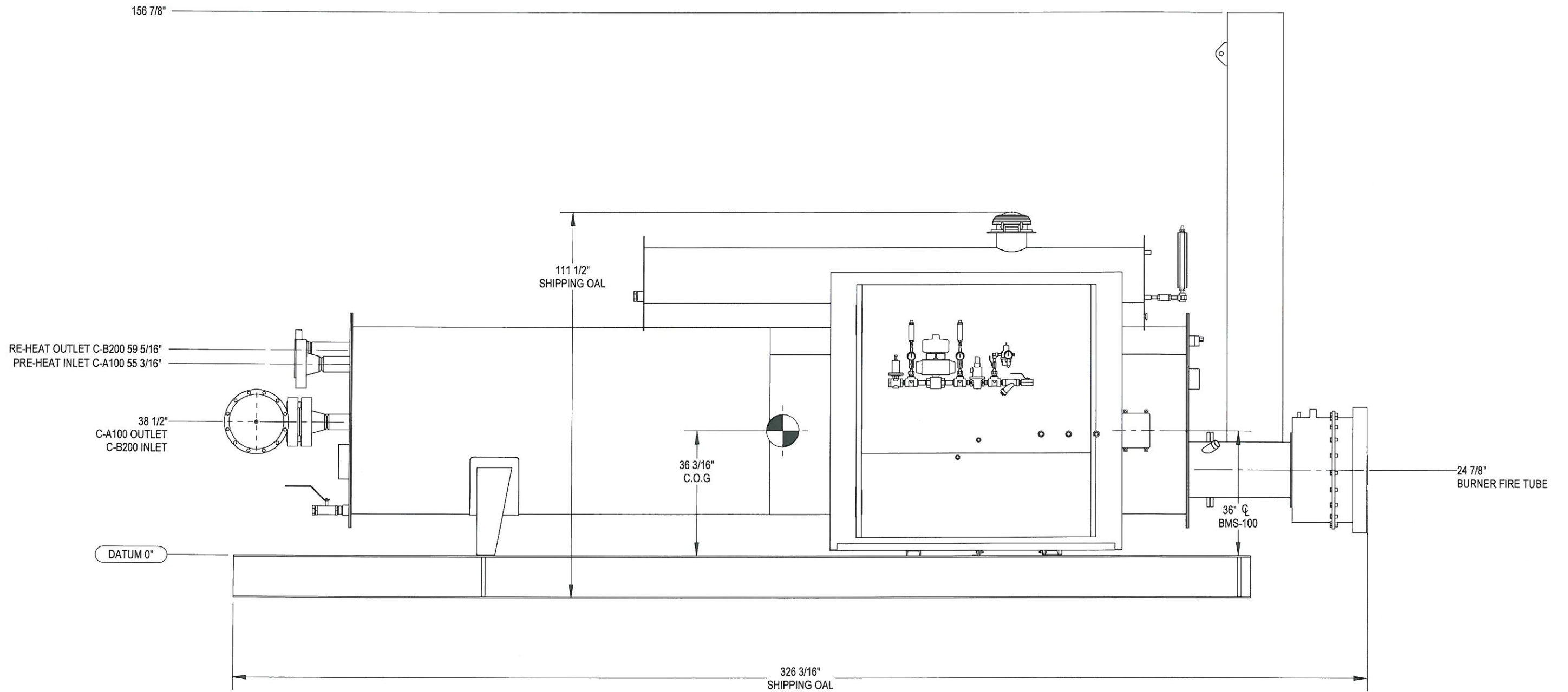
ENCANA CORP. SOUR 1.25 MMBTU/HR LINEHEATER PACKAGE 54" OD x 240" S/S			
GENERAL ARRANGEMENT			
DWN: CT	CHK: <i>[Signature]</i>	APP: <i>[Signature]</i>	
DATE: APR 28/14	DATE: JUL 03 2014	DATE: JUL 03 2014	
SHEET: 1 OF 4	DWG: 08982-001-G-001	REV: 0	



PLAN VIEW
SCALE: 1:27

ORIGINAL

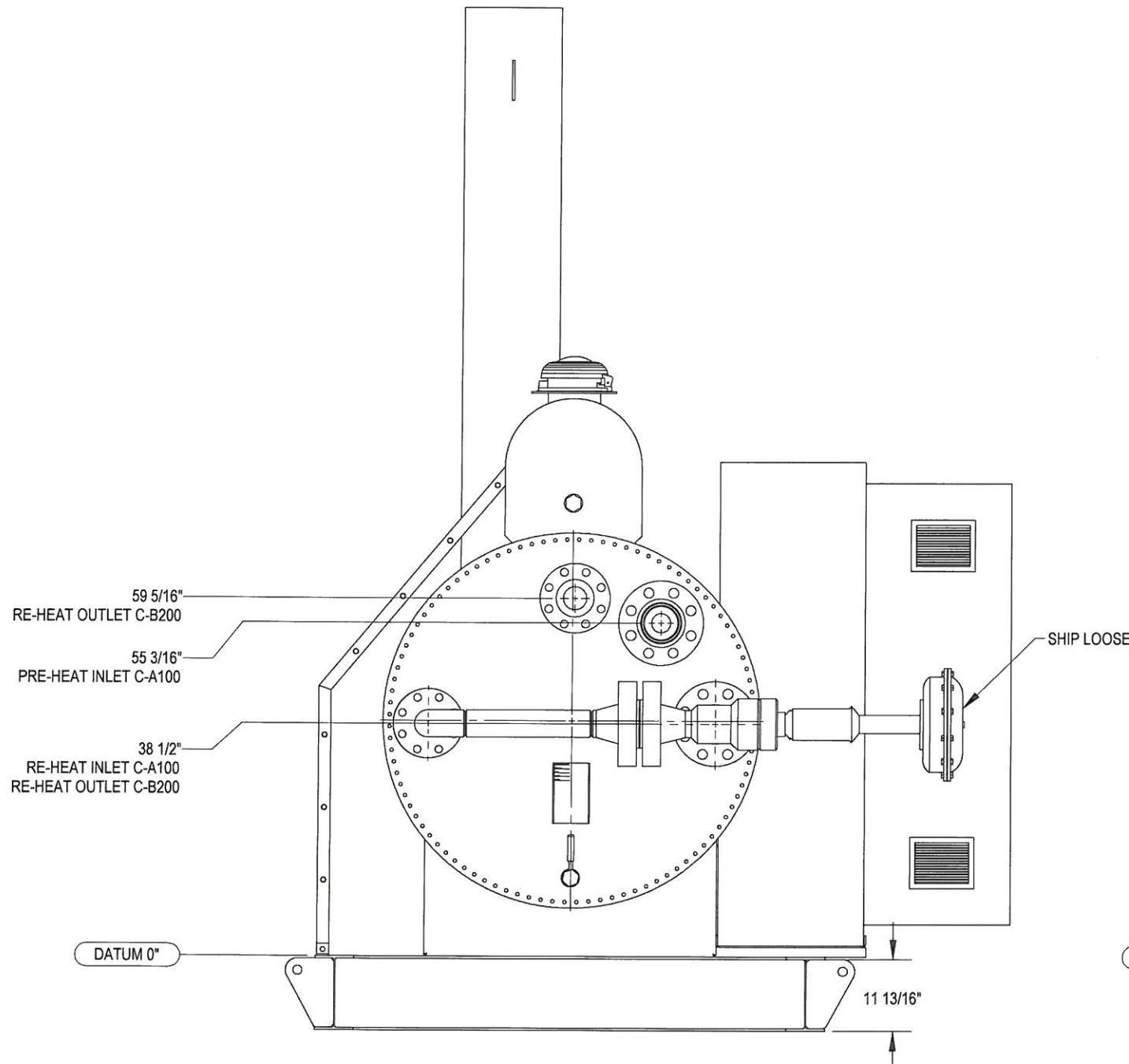
<table border="1"> <thead> <tr> <th>REV.</th> <th>DATE</th> <th>BY:</th> <th>CHK:</th> <th>APP:</th> <th>DESCRIPTION</th> </tr> </thead> <tbody> <tr> <td>0</td> <td>MAY 27/14</td> <td>CT</td> <td></td> <td><i>[Signature]</i></td> <td>ISSUED FOR CONSTRUCTION</td> </tr> <tr> <td>A</td> <td>APR 28/14</td> <td>CT</td> <td></td> <td></td> <td>ISSUED FOR APPROVAL</td> </tr> </tbody> </table>					REV.	DATE	BY:	CHK:	APP:	DESCRIPTION	0	MAY 27/14	CT		<i>[Signature]</i>	ISSUED FOR CONSTRUCTION	A	APR 28/14	CT			ISSUED FOR APPROVAL	<p>ISSUED FOR CONSTRUCTION</p> <p>SIGNED: _____</p> <p>DATE: _____</p> <p>W.O.: _____</p> <p>S/I: _____</p>		<p>NWP INDUSTRIES INC. Total oilfield supply.</p> <p>P.O. BOX 6280, INNISFAIL, AB T4G 1S9 PH: (403) 227-4100 FAX: (403) 227-4102</p>		<p>ENCANA CORP. SOUR 1.25 MMBTU/HR LINEHEATER PACKAGE 54" OD x 240" S/S</p> <p>GENERAL ARRANGEMENT</p>			
					REV.	DATE	BY:	CHK:	APP:	DESCRIPTION																				
0	MAY 27/14	CT		<i>[Signature]</i>	ISSUED FOR CONSTRUCTION																									
A	APR 28/14	CT			ISSUED FOR APPROVAL																									
<p>DRAWING REVISIONS</p> <p>ALL DIMENSIONS IN INCHES</p>		<p>PROJECTION: </p> <p>SCALE: AS NOTED</p> <p>WEIGHT: 15297</p>		<p>DWN: CT</p> <p>DATE: APR 28/14</p> <p>SHEET: 2 OF 4</p>		<p>CHK: <i>[Signature]</i></p> <p>DATE: JUL 03 2014</p> <p>DWG: 08982-001-G-001</p>		<p>APP: <i>[Signature]</i></p> <p>DATE: JUL 03 2014</p> <p>REV: 0</p>																						



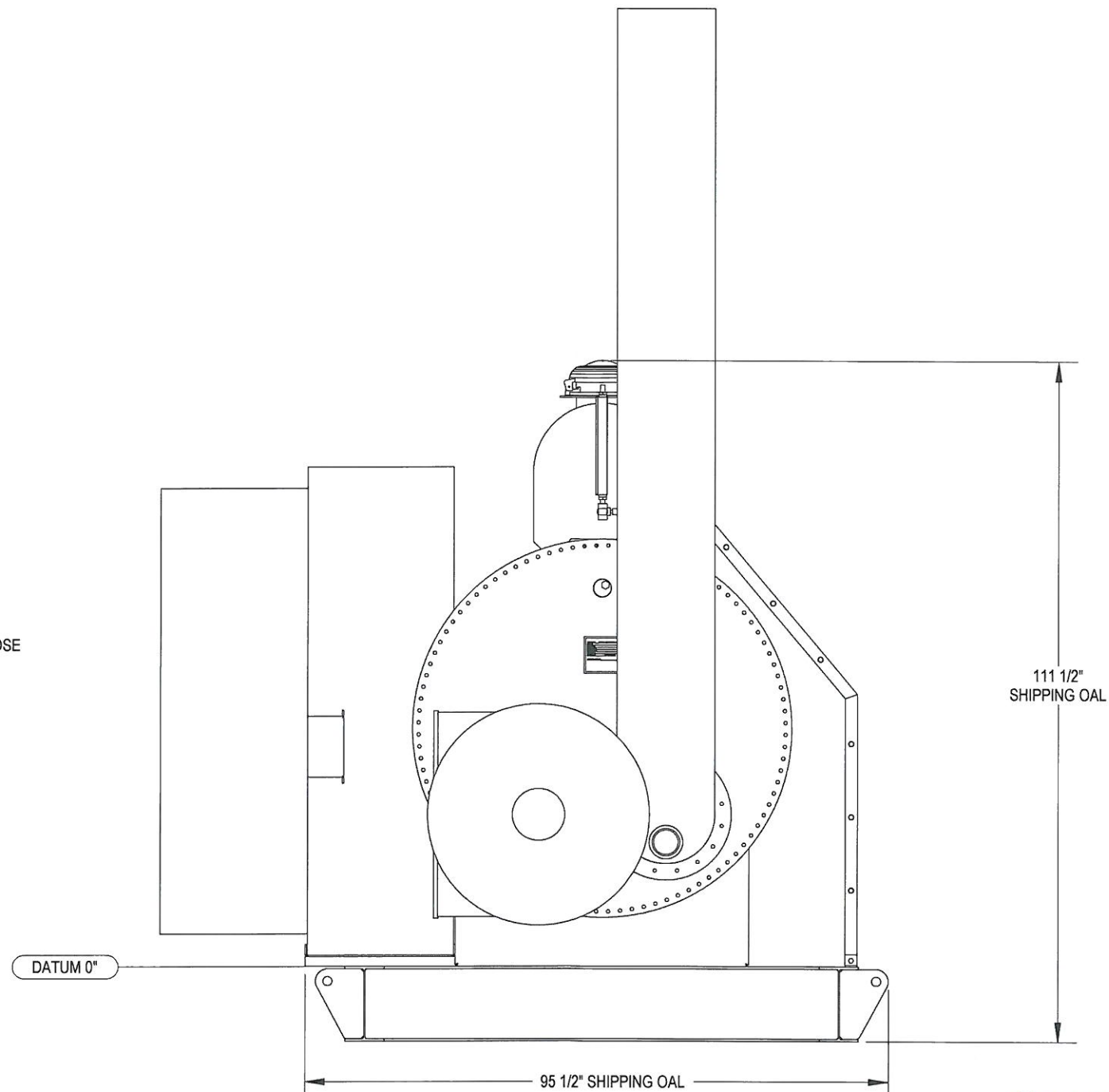
FRONT VIEW
SCALE: 1:30

ORIGINAL

<table border="1"> <thead> <tr> <th>REV.</th> <th>DATE</th> <th>BY:</th> <th>CHK:</th> <th>APP:</th> <th>DESCRIPTION</th> </tr> </thead> <tbody> <tr> <td>0</td> <td>MAY 27/14</td> <td>CT</td> <td><i>SA</i></td> <td></td> <td>ISSUED FOR CONSTRUCTION</td> </tr> <tr> <td>A</td> <td>APR 28/14</td> <td>CT</td> <td></td> <td></td> <td>ISSUED FOR APPROVAL</td> </tr> </tbody> </table>					REV.	DATE	BY:	CHK:	APP:	DESCRIPTION	0	MAY 27/14	CT	<i>SA</i>		ISSUED FOR CONSTRUCTION	A	APR 28/14	CT			ISSUED FOR APPROVAL	<p>ISSUED FOR CONSTRUCTION</p> <p>SIGNED: _____</p> <p>DATE: _____</p> <p>W.O.: _____</p> <p>S/N: _____</p>		<p>NWP INDUSTRIES INC. Total oilfield supply.</p> <p>P.O. BOX 6280, INNISFAIL, AB T4G 1S9 PH: (403) 227-4100 FAX: (403) 227-4102</p>		<p>ENCANA CORP. SOUR 1.25 MMBTU/HR LINEHEATER PACKAGE 54" OD x 240" S/S</p> <p>GENERAL ARRANGEMENT</p>			
					REV.	DATE	BY:	CHK:	APP:	DESCRIPTION																				
0	MAY 27/14	CT	<i>SA</i>		ISSUED FOR CONSTRUCTION																									
A	APR 28/14	CT			ISSUED FOR APPROVAL																									
DRAWING REVISIONS						ALL DIMENSIONS IN INCHES		<p>PROJECTION: </p> <p>SCALE: AS NOTED</p> <p>WEIGHT: 15297 (APPX. LB.)</p>		<p>DWN: CT</p> <p>DATE: APR 28/14</p> <p>SHEET: 3 OF 4</p>		<p>CHK: <i>SA</i></p> <p>DATE: JUL 03 2014</p> <p>DWG: 08982-001-G-001</p>		<p>APP: <i>SA</i></p> <p>DATE: JUL 03 2014</p> <p>REV: 0</p>																



LEFT VIEW
SCALE: 1:25



RIGHT VIEW
SCALE: 1:25

ORIGINAL

<table border="1"> <tr> <th>REV.</th> <th>DATE</th> <th>BY:</th> <th>CHK:</th> <th>APP:</th> <th>DESCRIPTION</th> </tr> <tr> <td>0</td> <td>MAY 27/14</td> <td>CT</td> <td></td> <td><i>[Signature]</i></td> <td>ISSUED FOR CONSTRUCTION</td> </tr> <tr> <td>A</td> <td>APR 28/14</td> <td>CT</td> <td></td> <td></td> <td>ISSUED FOR APPROVAL</td> </tr> </table>					REV.	DATE	BY:	CHK:	APP:	DESCRIPTION	0	MAY 27/14	CT		<i>[Signature]</i>	ISSUED FOR CONSTRUCTION	A	APR 28/14	CT			ISSUED FOR APPROVAL	<p>ISSUED FOR CONSTRUCTION</p> <p>SIGNED: _____</p> <p>DATE: _____</p> <p>W.O.: _____</p> <p>S/N: _____</p>		<p>NWP INDUSTRIES INC. Total oilfield supply.</p> <p>P.O. BOX 6280, INNISFAIL, AB T4G 1S9 PH: (403) 227-4100 FAX: (403) 227-4102</p>		<p>ENCANA CORP. SOUR 1.25 MMBTU/HR LINEHEATER PACKAGE 54" OD x 240" S/S</p>			
					REV.	DATE	BY:	CHK:	APP:	DESCRIPTION																				
0	MAY 27/14	CT		<i>[Signature]</i>	ISSUED FOR CONSTRUCTION																									
A	APR 28/14	CT			ISSUED FOR APPROVAL																									
DRAWING REVISIONS						ALL DIMENSIONS IN INCHES		<p>PROJECTION: </p> <p>SCALE: AS NOTED</p> <p>WEIGHT: 15297 (APPROX. LBS)</p>		<p>GENERAL ARRANGEMENT</p> <table border="1"> <tr> <td>DWN: CT</td> <td>CHK: <i>[Signature]</i></td> <td>APP: <i>[Signature]</i></td> </tr> <tr> <td>DATE: APR 28/14</td> <td>DATE: JUL 03 2014</td> <td>DATE: JUL 03 2014</td> </tr> </table>		DWN: CT	CHK: <i>[Signature]</i>	APP: <i>[Signature]</i>	DATE: APR 28/14	DATE: JUL 03 2014	DATE: JUL 03 2014													
DWN: CT	CHK: <i>[Signature]</i>	APP: <i>[Signature]</i>																												
DATE: APR 28/14	DATE: JUL 03 2014	DATE: JUL 03 2014																												
<p>ENCANA CORP. SOUR 1.25 MMBTU/HR LINEHEATER PACKAGE 54" OD x 240" S/S</p>								<p>ENCANA CORP.</p>		<p>DATE: JUL 03 2014</p>																				
<p>ENCANA CORP. SOUR 1.25 MMBTU/HR LINEHEATER PACKAGE 54" OD x 240" S/S</p>								<p>ENCANA CORP.</p>		<p>DATE: JUL 03 2014</p>																				
<p>ENCANA CORP. SOUR 1.25 MMBTU/HR LINEHEATER PACKAGE 54" OD x 240" S/S</p>								<p>ENCANA CORP.</p>		<p>DATE: JUL 03 2014</p>																				
<p>ENCANA CORP. SOUR 1.25 MMBTU/HR LINEHEATER PACKAGE 54" OD x 240" S/S</p>								<p>ENCANA CORP.</p>		<p>DATE: JUL 03 2014</p>																				