

ORIGINAL

PLAN VIEW
SCALE: 1:42

LINEHEATER DESIGN DATA	
HEAT MEDIUM REQUIREMENT:	APPROX. 558 cu.ft.
PAINT:	INSULATED - (1) COAT CLOVERDALE CLOVACOAT UNINSULATED - (2) COATS CLOVERDALE CLOVACOAT 300 EPOXY ENAMEL, WARM GREY STACK - HIGH HEAT BLACK
SURFACE PREPARATION:	SSPC-SP7-63 (BRUSH BLAST)
INSULATION:	1 1/2" MICROFLEX w/ 0.020 STUCCO EMBOSSED ALUMINUM TACKER c/w SS BANDING

- NOTES**
1. PIPE SUPPORTS WHERE REQUIRED.
 2. ALL PNEUMATIC VALVES AND INSTRUMENTS TO BE FUNCTIONED TESTED WITH 75 PSI SHOP AIR.
 3. SHIP LOOSE ITEMS TO BE BOXED AND SEALED PRIOR TO SHIPMENT.
 4. PLUG ALL OUTLETS PRIOR TO SHIPMENT.
 5. STACK TO BE SHIPPED LOOSE.
 6. SKID, GUARD RAILS, PIPE SUPPORTS - WARM GRAY STACK - HIGH HEAT BLACK

ENCANA REFERENCE NO.	
P.O. #:	P041271
LSD #:	02-06-079-11 W6M 6 WELL PAD

SHIPPING DATA	
OVERALL HEIGHT	12' - 7 7/8"
OVERALL LENGTH	37' - 9 1/2"
OVERALL WIDTH	15' - 1 1/8"
APPROX. WEIGHT	45,000 LBS

DOCUMENT NO.	DESCRIPTION	REV.	DATE	BY	CHK	APP	DESCRIPTION
08433-6	BATH ASSEMBLY						
08433-4	COIL ASSEMBLY						
08433-3	SKID ASSEMBLY	0	2012.07.06	JHK			ISSUED FOR CONSTRUCTION
08433-2	PIPING ASSEMBLY	B	2012.06.22	JHK			RE-ISSUED FOR APPROVAL
08433-1	P&ID	A	2012.06.01	VW			ISSUED FOR APPROVAL

AS BUILT

ISSUED FOR CONSTRUCTION

SIGNED: _____

DATE: _____

W.O.: _____

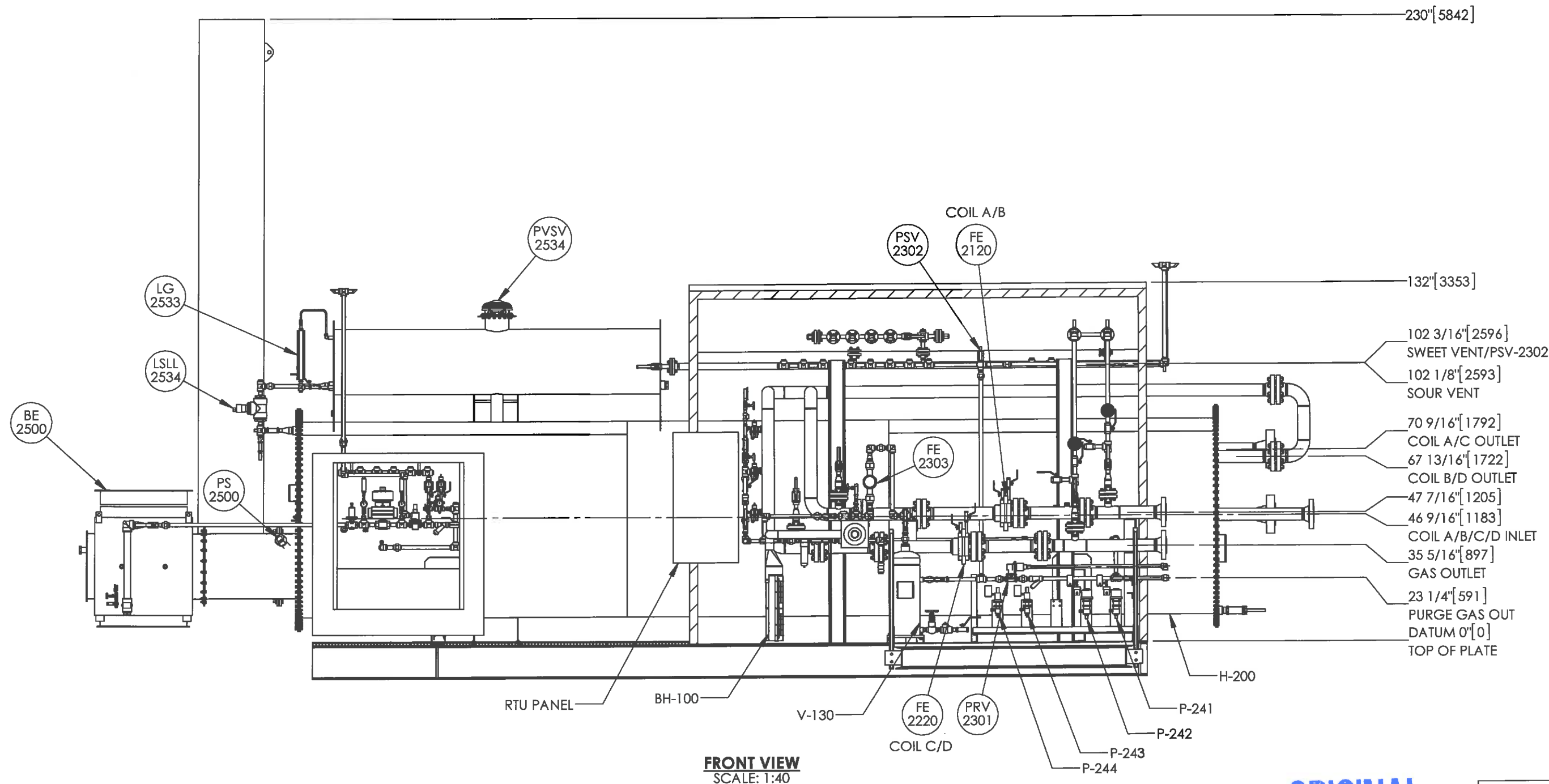
S.O.: _____

ALL DIMENSIONS IN INCHES

NWP
INDUSTRIES INC.
Total oilfield supply.

P.O. BOX 6280, INNISFAIL, AB T4G 1S9
PH: (403) 227-4100 FAX: (403) 227-4102

ENCANA CORPORATION LINEHEATER AND METERING PACKAGE 3.5 MMBTU/HR 72" OD x 28' LG BATH (2) 4" 600 ANSI RF JR METER RUNS M-200 - GENERAL ARRANGEMENT		
DWN: VW	CHK: <i>S</i>	APP: <i>JHK</i>
DATE: 2012.06.01	DATE: 2012.07.06	DATE: 2012.07.06
SCALE: 1:42	DWG: 08433	
SHEET: 1 OF 3	REV: 0	



ORIGINAL

ENCANA REFERENCE NO.	
P.O. #:	P041271
LSD #:	02-06-079-11 W6M 6 WELL PAD

08433-6	BATH ASSEMBLY						
08433-4	COIL ASSEMBLY						
08433-3	SKID ASSEMBLY	0	2012.07.06	JHK	<i>[Signature]</i>	ISSUED FOR CONSTRUCTION	
08433-2	PIPING ASSEMBLY	B	2012.06.22	JHK	-	RE-ISSUED FOR APPROVAL	
08433-1	P&ID	A	2012.06.01	VW	-	ISSUED FOR APPROVAL	
DOCUMENT NO.	DESCRIPTION	REV.	DATE	BY	CHK	APP	DESCRIPTION
REFERENCE DRAWINGS							DRAWING REVISIONS

AS BUILT

ISSUED FOR CONSTRUCTION

SIGNED: _____
 DATE: _____
 W.O.: _____
 S.O.: _____

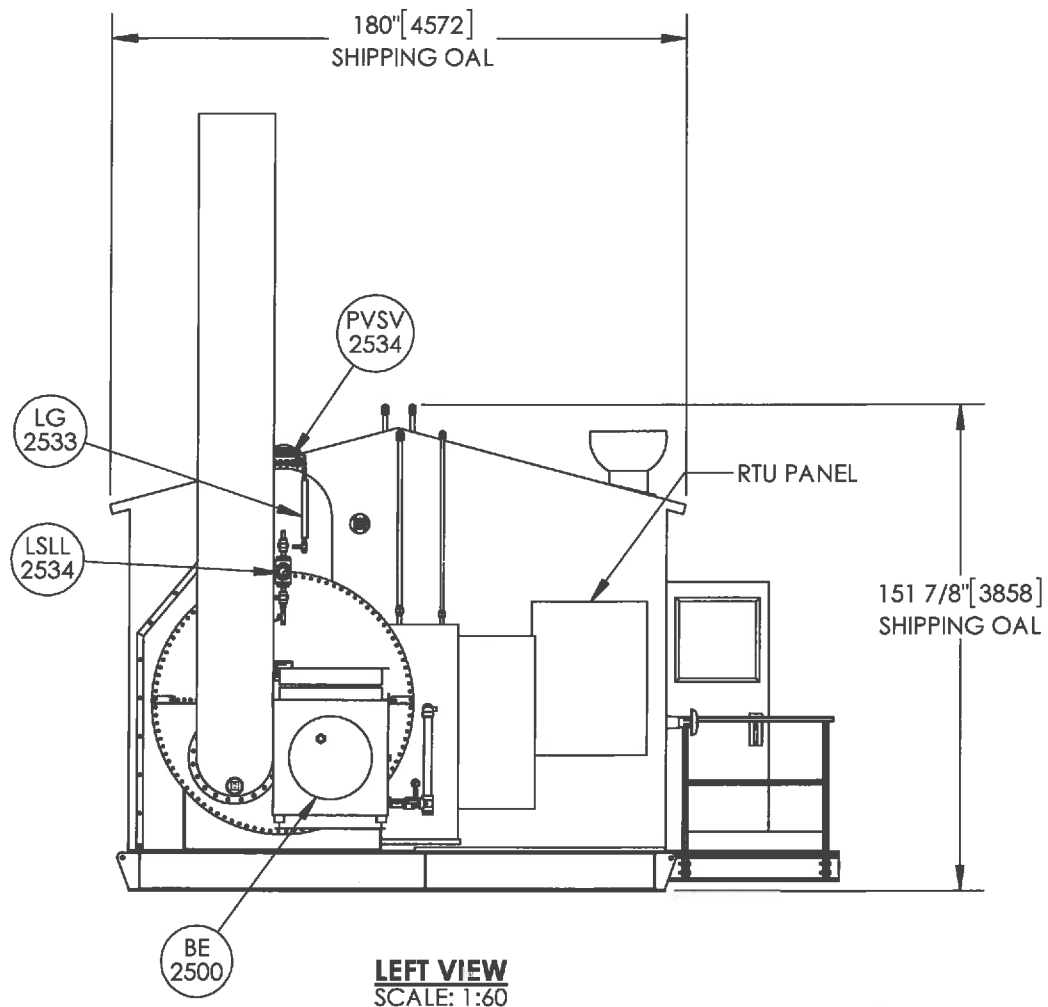


P.O. BOX 6280, INNISFAIL, AB T4G 1S9
 PH: (403) 227-4100 FAX: (403) 227-4102



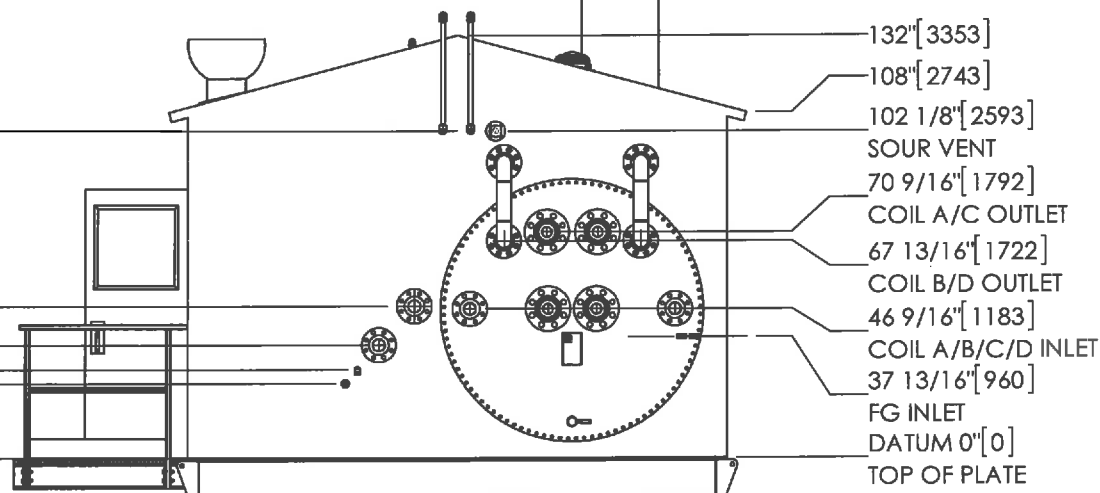
ALL DIMENSIONS IN INCHES

ENCANA CORPORATION LINEHEATER AND METERING PACKAGE 3.5 MMBTU/HR 72" OD x 28' LG BATH (2) 4" 600 ANSI RF JR METER RUNS M-200 - GENERAL ARRANGEMENT		
DWN: VW	CHK: <i>[Signature]</i>	APP: <i>[Signature]</i>
DATE: 2012.06.01	DATE: 2012.07.06	DATE: 2012.07.06
SCALE: 1:40	DWG: 08433	REV: 0
SHEET: 2 OF 3		

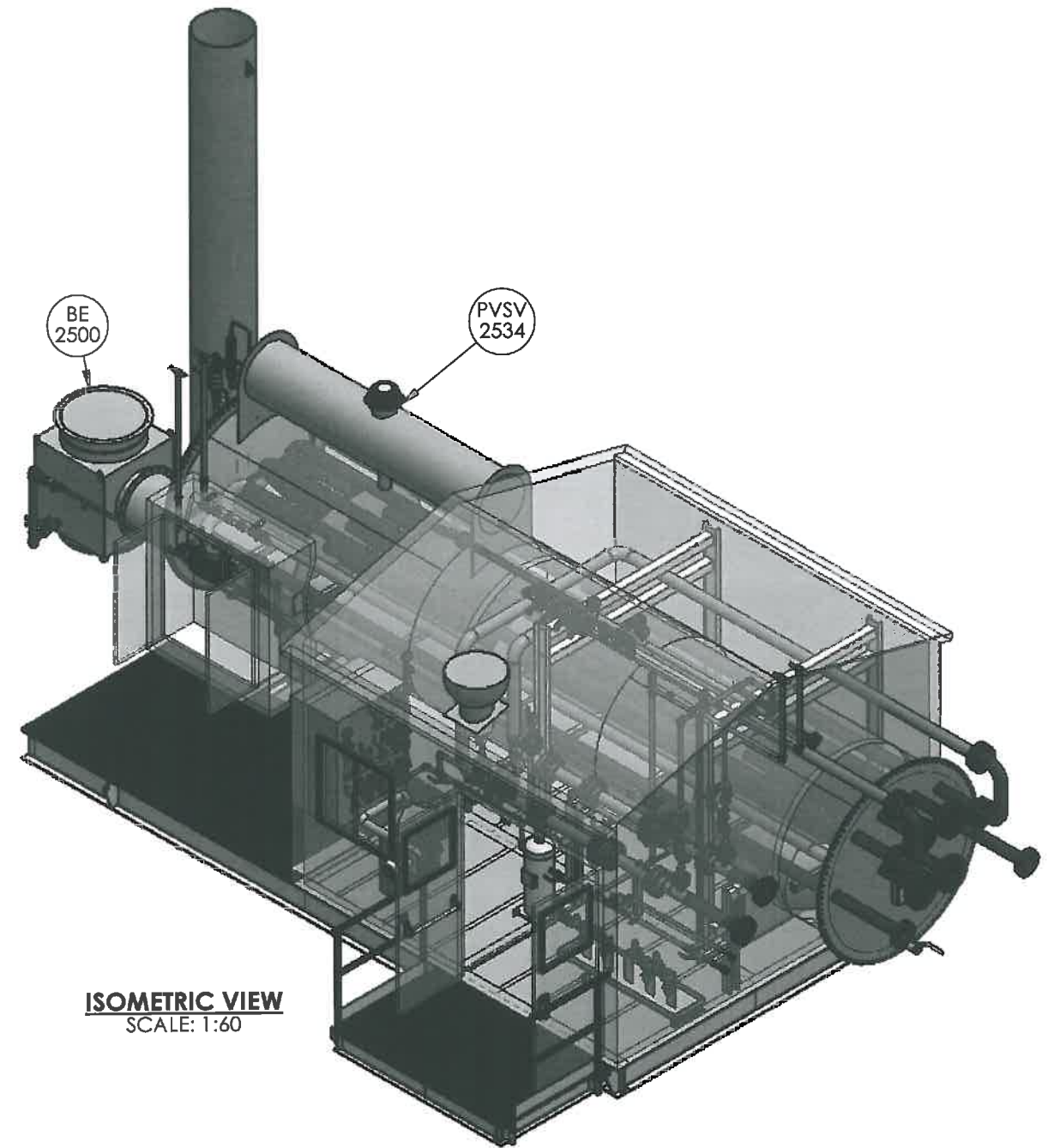


LEFT VIEW
SCALE: 1:60

- 102 3/16" [2596] SWEET VENT/PSV-2302
- 47 7/16" [1205] GAS OUT
- 35 5/16" [897] GAS OUT
- 27 5/8" [702] PRV VENT
- 23 1/4" [591] PURGE GAS OUT
- DATUM 0" [0] TOP OF PLATE



RIGHT VIEW
SCALE: 1:60



ISOMETRIC VIEW
SCALE: 1:60

ORIGINAL

ENCANA REFERENCE NO.	
P.O. #:	P041271
LSD #:	02-06-079-11 W6M 6 WELL PAD

AS BUILT						
08433-6	BATH ASSEMBLY					
08433-4	COIL ASSEMBLY					
08433-3	SKID ASSEMBLY	0	2012.07.06	JHK	<i>[Signature]</i>	ISSUED FOR CONSTRUCTION
08433-2	PIPING ASSEMBLY	B	2012.06.22	JHK	-	RE-ISSUED FOR APPROVAL
08433-1	P&ID	A	2012.06.01	VW	-	ISSUED FOR APPROVAL
DOCUMENT NO.	DESCRIPTION	REV.	DATE	BY	CHK	APP
REFERENCE DRAWINGS			DRAWING REVISIONS			

ISSUED FOR CONSTRUCTION

SIGNED: _____

DATE: _____

W.O.: _____

S.O.: _____

ALL DIMENSIONS IN INCHES

NWP
INDUSTRIES INC.
Total oilfield supply.

P.O. BOX 6280, INNISFAIL, AB T4G 1S9
PH: (403) 227-4100 FAX: (403) 227-4102

ENCANA CORPORATION LINEHEATER AND METERING PACKAGE 3.5 MMBTU/HR 72" OD x 28' LG BATH (2) 4" 600 ANSI RF JR METER RUNS M-200 - GENERAL ARRANGEMENT		
DWN: VW	CHK: <i>[Signature]</i>	APP: <i>[Signature]</i>
DATE: 2012.06.01	DATE: 2012.07.06	DATE: 2012.07.06
SCALE: 1:60	DWG: 08433	REV: 0
SHEET: 3 OF 3		