

**ORIGINAL**

ENCANA PO#  
PO41271  
LSD: 02-06-078-11 W6M  
6 WELL PAD

DOCUMENT NO	DESCRIPTION	REV	DATE	BY	CHK	APP
08433-6	BATH ASSEMBLY					
08433-4	COIL ASSEMBLY					
08433-3	SKID ASSEMBLY	0	2012.07.06	JHK	<i>S</i>	<i>JHK</i>
08433-2	PIPING ASSEMBLY	B	2012.06.21	JHK	-	-
08433	GENERAL ARRANGEMENT	A	2012.05.30	JHK	-	-
	REFERENCE DRAWINGS					DRAWING REVISIONS

**ISSUED FOR CONSTRUCTION**

SIGNED: \_\_\_\_\_

DATE: \_\_\_\_\_

W.O.: \_\_\_\_\_

S.O.: \_\_\_\_\_

ALL DIMENSIONS IN INCHES

**NWP INDUSTRIES INC.**  
Total oilfield supply.

P.O. BOX 6280, INNISFAIL, AB T4G 1S9  
PH: (403) 227-4100 FAX: (403) 227-4102

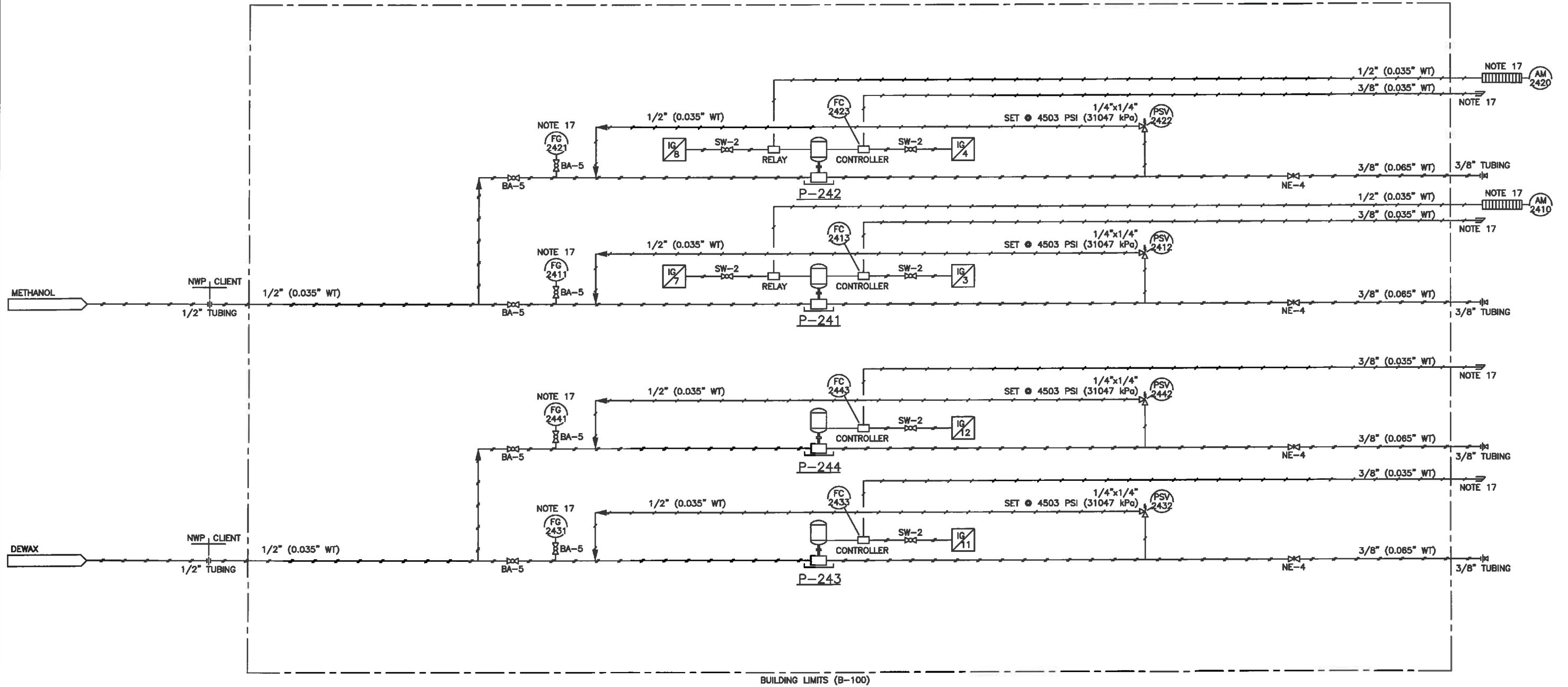
THIS DRAWING IS PROPERTY OF NWP INDUSTRIES INC. AND MAY NOT BE REPRODUCED WITHOUT PERMISSION. THIS DRAWING MUST BE RETURNED UPON REQUEST.

**ENCANA CORPORATION**  
LINEHEATER AND METERING PACKAGE  
3.5 MMBTU/HR 72" OD x 336" S/S  
(2) 4" 600 ANSI JR METER RUNS  
M-200 - P&ID

DWN: JHK	CHK: <i>S</i>	APP: <i>JHK</i>
DATE: 2012.05.30	DATE: 2012.07.06	DATE: 2012.07.06
SCALE: NTS	DWG: 08433-1	REV: 0
SHEET: 1 OF 5		

**P-241/P-242**  
**METHANOL PUMP**  
 MFR: WILLIAMS  
 MDL NO: CP500V400CRTC  
 c/w 1/2" PLUNGER  
 MAX. DISCHARGE 9200 PSI (63431 kPa)

**P-243/244**  
**WAX DISPERSANT PUMPS**  
 MFR: WILLIAMS  
 MDL NO: CRP250V225CRVR  
 c/w 1/4" PLUNGER  
 MAX. DISCHARGE: 7200 PSI (49842 kPa)



**ORIGINAL**

ENCANA PO#  
 P041271  
 LSD: 02-06-079-11 W6M  
 6 WELL PAD

DOCUMENT NO	DESCRIPTION	REV	DATE	BY	CHK	APP
08433-6	BATH ASSEMBLY					
08433-4	COIL ASSEMBLY					
08433-3	SKID ASSEMBLY	0	2012.07.06	JHK	S	JHK
08433-2	PIPING ASSEMBLY	B	2012.06.21	JHK	-	-
08433	GENERAL ARRANGEMENT	A	2012.05.30	JHK	-	-

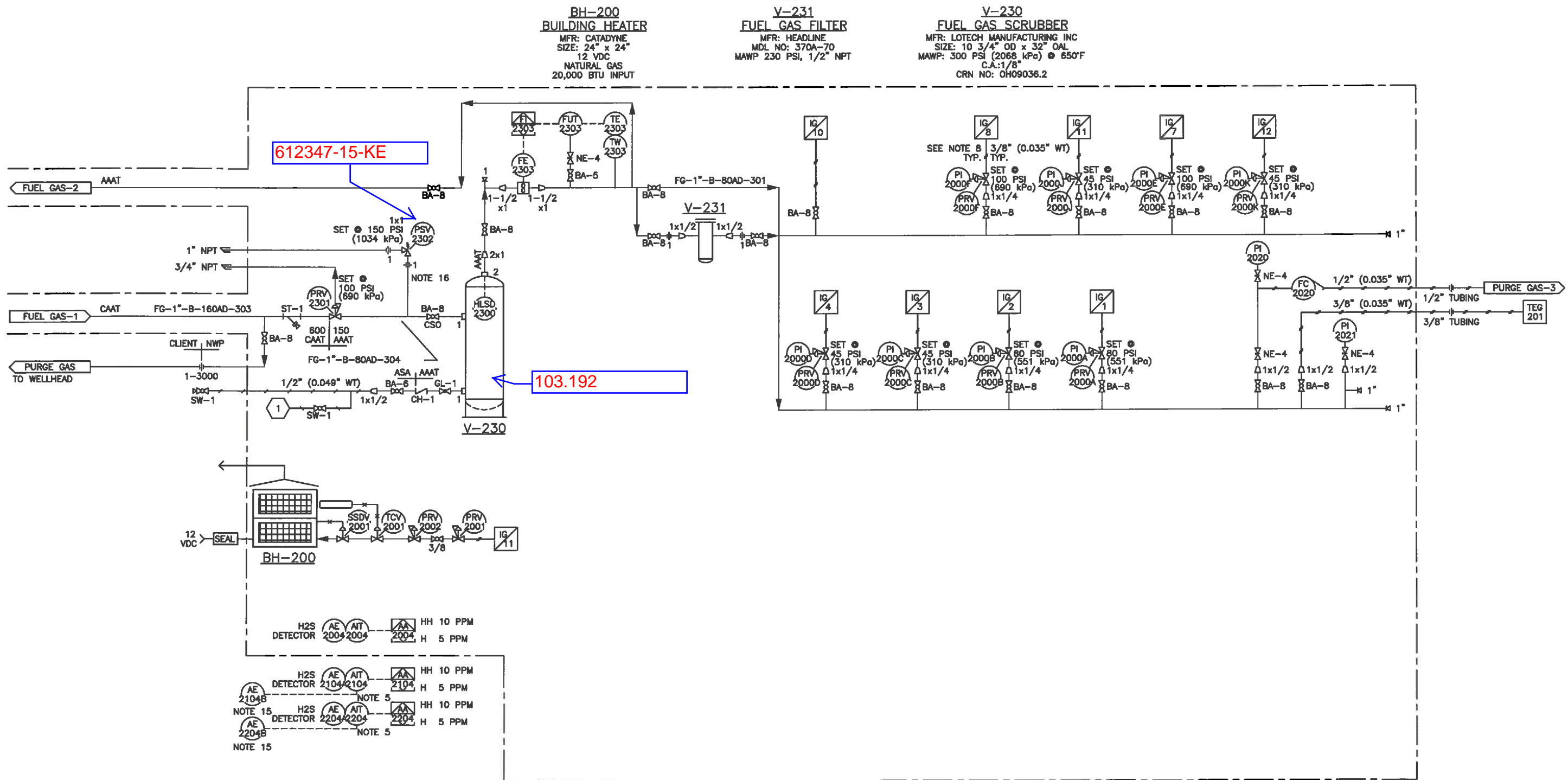
**ISSUED FOR CONSTRUCTION**  
 SIGNED: \_\_\_\_\_  
 DATE: \_\_\_\_\_  
 W.O.: \_\_\_\_\_  
 S.O.: \_\_\_\_\_  
 ALL DIMENSIONS IN INCHES

**NWP INDUSTRIES INC.**  
 Total oilfield supply.  
 P.O. BOX 6280, INNISFAIL, AB T4G 1S9  
 PH: (403) 227-4100 FAX: (403) 227-4102

THIS DRAWING IS PROPERTY OF NWP INDUSTRIES INC. AND MAY NOT BE REPRODUCED WITHOUT PERMISSION. THIS DRAWING MUST BE RETURNED UPON REQUEST.

ENCANA CORPORATION  
 LINEHEATER AND METERING PACKAGE  
 3.5 MMBTU/HR 72" OD x 336" S/S  
 (2) 4" 600 ANSI JR METER RUNS  
 M-200 - P&ID

DWN: JHK	CHK: S	APP: JHK
DATE: 2012.05.30	DATE: 2012.07.06	DATE: 2012.07.06
SCALE: NTS	DWG: 08433-1	REV: 0
SHEET: 2 OF 5		



**ORIGINAL**

ENCANA PO#  
P041271  
LSD: Q2-06-079-11 WGM  
6 WELL PAD

DOCUMENT NO	DESCRIPTION	REV	DATE	BY	CHK	APP
08433-6	BATH ASSEMBLY					
08433-4	COIL ASSEMBLY					
08433-3	SKID ASSEMBLY	0	2012.07.06	JHK		
08433-2	PIPING ASSEMBLY	B	2012.06.21	JHK		
08433	GENERAL ARRANGEMENT	A	2012.05.30	JHK		
	REFERENCE DRAWINGS					DRAWING REVISIONS

**ISSUED FOR CONSTRUCTION**

SIGNED: \_\_\_\_\_

DATE: \_\_\_\_\_

W.O.: \_\_\_\_\_

S.O.: \_\_\_\_\_

ALL DIMENSIONS IN INCHES

**NWP INDUSTRIES INC.**  
Total oilfield supply.

P.O. BOX 6280, INNISFAIL, AB T4G 1S9  
PH: (403) 227-4100 FAX: (403) 227-4102

THIS DRAWING IS PROPERTY OF NWP INDUSTRIES INC. AND MAY NOT BE REPRODUCED WITHOUT PERMISSION. THIS DRAWING MUST BE RETURNED UPON REQUEST.

**ENCANA CORPORATION**  
LINEHEATER AND METERING PACKAGE  
3.5 MMBTU/HR 72" OD x 336" S/S  
(2) 4" 600 ANSI JR METER RUNS  
M-200 - P&ID

DWN: JHK    CHK: *[Signature]*    APP: *[Signature]*

DATE: 2012.05.30    DATE: 2012.07.06    DATE: 2012.07.06

SCALE: NTS    SHEET: 3 OF 5    DWG: 08433-1    REV: 0

**BMS-250**  
**BURNER MANAGEMENT SYSTEM**  
 MODEL NO: ACL 5500  
 24 VDC

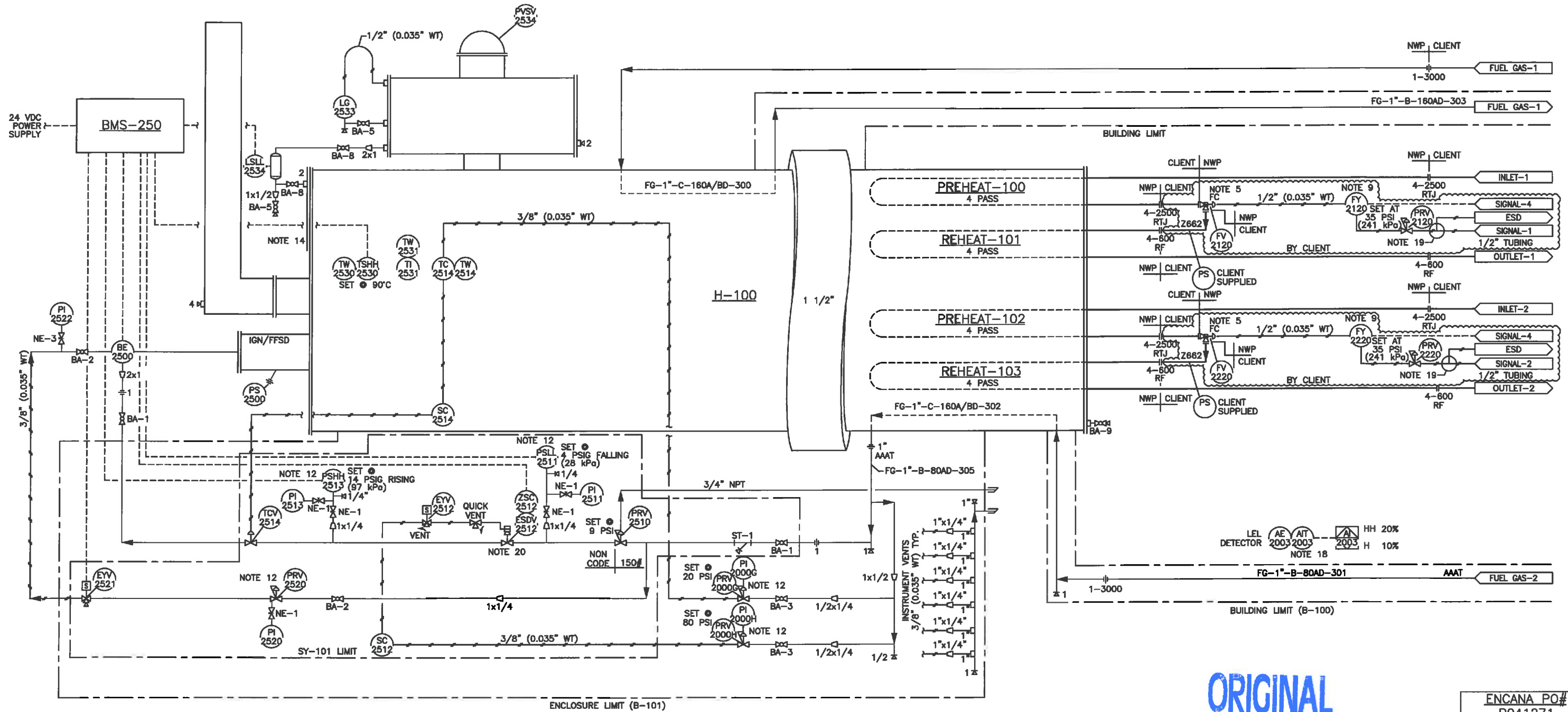
**H-200**  
**LINE HEATER**  
 MFR: NWP INDUSTRIES  
 SIZE: #72" x 336" S/S  
 DUTY: 3.5 MMBTU/HR

**PREHEAT-100**  
**COIL A**  
 MFR: NWP INDUSTRIES  
 DESIGN: 4503 PSIG (31047 kPa) @ 200°F  
 XRAY: 100%  
 PWHT: YES  
 CA: 1/8"

**REHEAT-101**  
**COIL B**  
 MFR: NWP INDUSTRIES  
 DESIGN: 1350 PSIG (9308 kPa) @ 200°F  
 XRAY: 100%  
 PWHT: YES  
 CA: 1/8"

**PREHEAT-102**  
**COIL C**  
 MFR: NWP INDUSTRIES  
 DESIGN: 4503 PSIG (31047 kPa) @ 200°F  
 XRAY: 100%  
 PWHT: YES  
 CA: 1/8"

**REHEAT-103**  
**COIL D**  
 MFR: NWP INDUSTRIES  
 DESIGN: 1350 PSIG (9308 kPa) @ 200°F  
 XRAY: 100%  
 PWHT: YES  
 CA: 1/8"



**ORIGINAL**

ENCANA PO#  
 P041271  
 LSD: 02-06-079-11 W6M  
 6 WELL PAD

DOCUMENT NO.	DESCRIPTION	REV	DATE	BY	CHK	APP
08433-6	BATH ASSEMBLY					
08433-4	COIL ASSEMBLY					
08433-3	SKID ASSEMBLY	0	2012.07.06	JHK		ISSUED FOR CONSTRUCTION
08433-2	PIPING ASSEMBLY	B	2012.06.21	JHK		RE-ISSUED FOR APPROVAL
08433	GENERAL ARRANGEMENT	A	2012.05.30	JHK		ISSUED FOR APPROVAL
	REFERENCE DRAWINGS					DRAWING REVISIONS

**ISSUED FOR CONSTRUCTION**

SIGNED: \_\_\_\_\_

DATE: \_\_\_\_\_

W.O.: \_\_\_\_\_

S.O.: \_\_\_\_\_

ALL DIMENSIONS IN INCHES

**NWP INDUSTRIES INC.**  
 Total oilfield supply.

P.O. BOX 6280, INNISFAIL, AB T4G 1S9  
 PH: (403) 227-4100 FAX: (403) 227-4102

THIS DRAWING IS PROPERTY OF NWP INDUSTRIES INC. AND MAY NOT BE REPRODUCED WITHOUT PERMISSION. THIS DRAWING MUST BE RETURNED UPON REQUEST.

**ENCANA CORPORATION**  
**LINEHEATER AND METERING PACKAGE**  
 3.5 MMBTU/HR 72" OD x 336" S/S  
 (2) 4" 600 ANSI JR METER RUNS  
 M-200 - P&ID

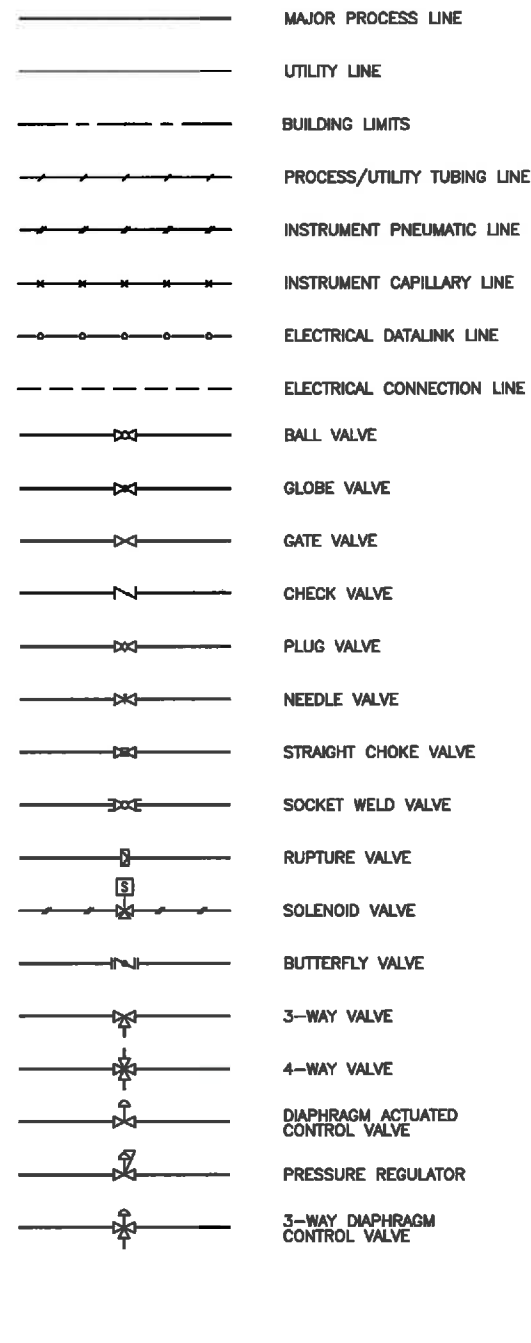
DWN: JHK	CHK: <i>[Signature]</i>	APP: <i>[Signature]</i>
DATE: 2012.05.30	DATE: 2012.07.06	DATE: 2012.07.06
SCALE: NTS	DWG: 08433-1	REV: 0
SHEET: 4 OF 5		



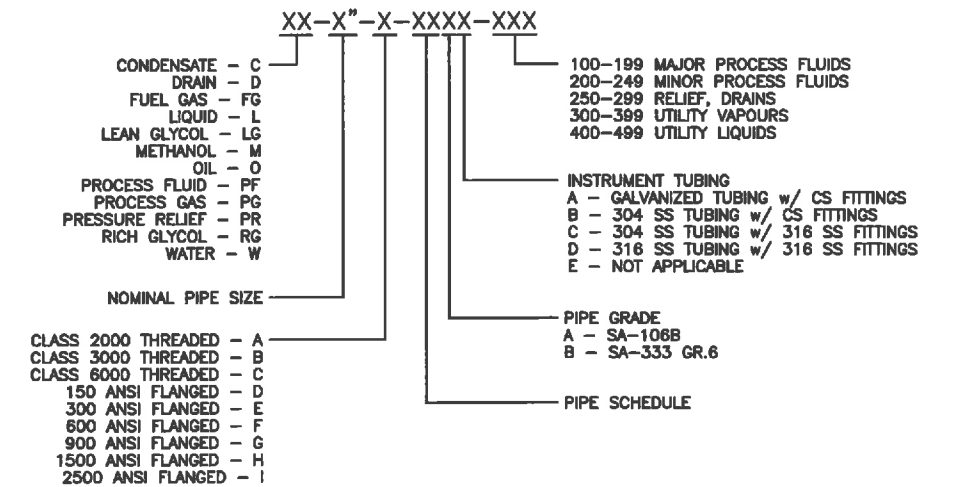
**NOTES**

- PIPE SUPPORTS WHERE REQUIRED.
- SHIP LOOSE ITEMS TO BE BOXED AND SEALED PRIOR TO SHIPMENT.
- PLUG ALL OUTLETS PRIOR TO SHIPMENT.
- ELECTRICAL BY NWP.
- MOUNT DUAL CHANNEL H2S DETECTOR OUTSIDE BUILDING ON FLANGE SUPPORT MOUNTED TO CHOKE VALVES FV-2120 & FV-2220 TO BE CLIENT SUPPLIED.
- 2" FOAM INSULATION UNDER BUILDING FLOOR.
- 316 SS SEAMLESS TUBING AND 316 SS FITTINGS.
- VENT V-100 SUPPLIED INSTRUMENTS TO COMMON 1" VENT HEADER.
- FY-2120 & FY-2220 ARE MOUNTED TO CHOKE VALVES FV-2120 & FV-2220 TO BE NWP SUPPLIED.
- NO LIQUID TRAPS.
- VENT VALVE TRAIN ENCLOSURE INSTRUMENTS TO COMMON 1" VENT HEADER.
- SET POINT NOT TO EXCEED 600 ANSI @ 200°F.
- REMOVABLE COIL INSPECTION PLATE.
- SPARE H2S SENSOR FOR CLIENT TO MOUNT ON WELLHEAD.
- ALL SHOP THRD PIPING TO BE 10% X-RAY EXCEPT 100% ON ASSOCIATED PIPING ON RELIEF LINES.
- VENT OUTSIDE BUILDING TO ATMOSPHERE AT EAVE HEIGHT.
- PROVISIONS FOR THE LEL DETECTOR WILL BE SUPPLIED, CLIENT WILL SUPPLY LEL MONITOR.
- INSTALL 1/2" ESD TUBING TEE AS CLOSE TO THE OUTSIDE WALL AS POSSIBLE.
- B149.3 COMPLIANT.

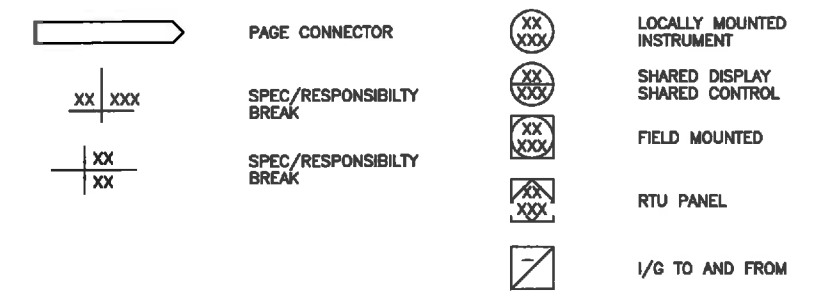
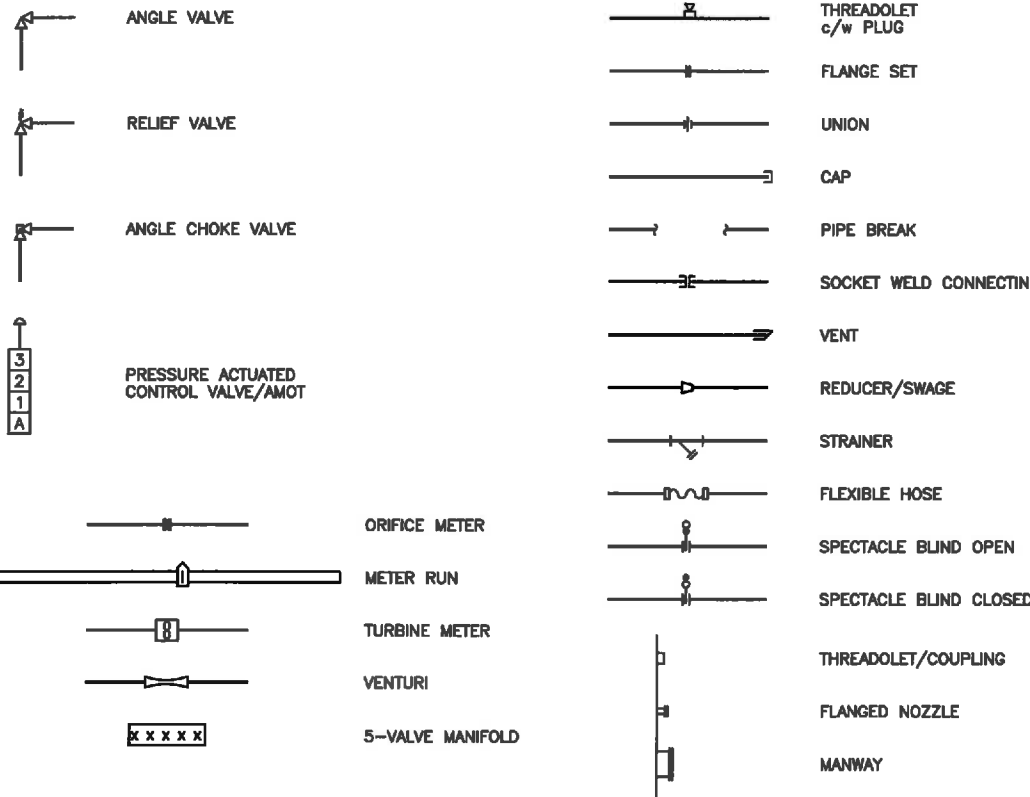
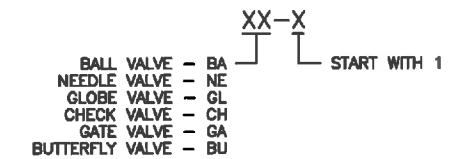
**LEGEND**



**LINE TAGGING**



**VALVE TAGGING**



**ORIGINAL**

ENCANA PO#  
P041271  
LSD: 02-06-079-11 W6M  
8 WELL PAD

DOCUMENT NO.	DESCRIPTION	REV	DATE	BY	CHK	APP	
08433-6	BATH ASSEMBLY						
08433-4	COIL ASSEMBLY						
08433-3	SKID ASSEMBLY	0	2012.07.06	JHK			ISSUED FOR CONSTRUCTION
08433-2	PIPING ASSEMBLY	B	2012.06.21	JHK	-	-	RE-ISSUED FOR APPROVAL
08433	GENERAL ARRANGEMENT	A	2012.05.30	JHK	-	-	ISSUED FOR APPROVAL
	REFERENCE DRAWINGS						DRAWING REVISIONS

**ISSUED FOR CONSTRUCTION**

SIGNED: \_\_\_\_\_

DATE: \_\_\_\_\_

W.O.: \_\_\_\_\_

S.O.: \_\_\_\_\_

ALL DIMENSIONS IN INCHES

**NWP INDUSTRIES INC.**  
Total oilfield supply.

P.O. BOX 6280, INNISFAIL, AB T4G 1S9  
PH: (403) 227-4100 FAX: (403) 227-4102

THIS DRAWING IS PROPERTY OF NWP INDUSTRIES INC. AND MAY NOT BE REPRODUCED WITHOUT PERMISSION. THIS DRAWING MUST BE RETURNED UPON REQUEST.

**ENCANA CORPORATION**  
LINEHEATER AND METERING PACKAGE  
3.5 MMBTU/HR 72" OD x 336" S/S  
(2) 4" 600 ANSI JR METER RUNS  
M-200 - P&ID

DWN: JHK    CHK: *[Signature]*    APP: *[Signature]*

DATE: 2012.05.30    DATE: 2012.07.06    DATE: 2012.07.06

SCALE: NTS    SHEET: 5 OF 5    DWG: 08433-1    REV: 0