


DOCUMENT NO.	DESCRIPTION	REV	DATE	BY	CHK	APP	DRAWING REVISIONS
BNWP-1494-1	BILL OF MATERIALS	0	2008.05.20	KD			ISSUED FOR CONSTRUCTION
		1	2008.05.29	KD			ISSUED FOR CONSTRUCTION (CHANGE SET OF PRESSURE SWITCHES)



**NWP INDUSTRIES INC.**  
Total oilfield supply.  
P.O. BOX 6280, INNISFAIL, AB T4G 1S9  
PH (403) 227-4100 FAX (403) 227-4102  
www.nwp.ca

P&ID  
1,880,000 BTU/HR LINEHEATER  
ENCANA CORP. c/o TUNDRA ENG. ASS. LTD.

THIS DRAWING IS PROPERTY OF NWP INDUSTRIES INC. AND MAY NOT BE REPRODUCED WITHOUT PERMISSION. THIS DRAWING MUST BE RETURNED UPON REQUEST.

SCALE NTS  
SHEET 1/1

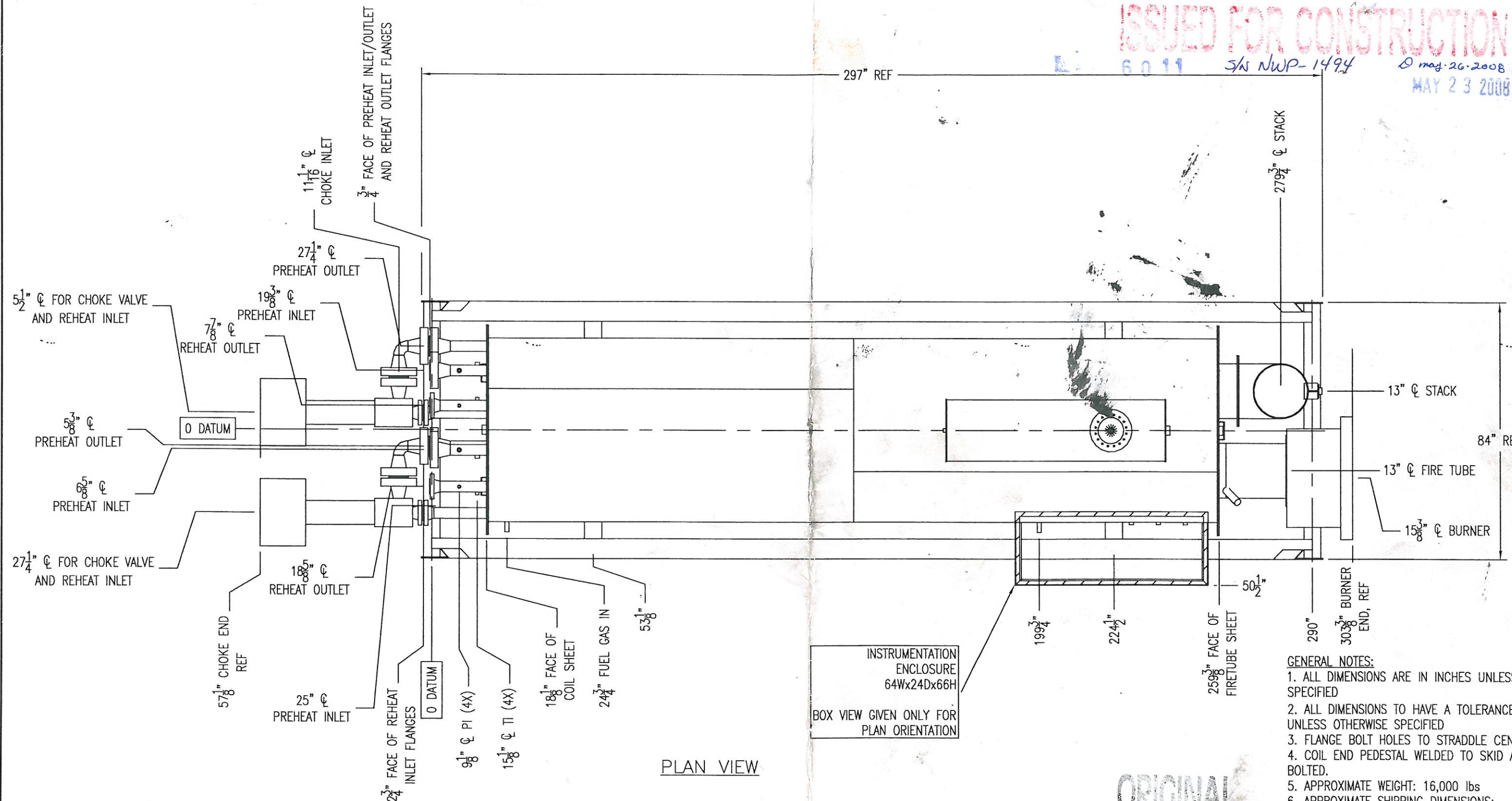
DWG **NWP-1494-1** REV 1

ISSUED FOR CONSTRUCTION

6011 S/N NWP-1494

0 MAY 26 2008

MAY 23 2008



INSTRUMENTATION ENCLOSURE 64Wx24Dx66H  
BOX VIEW GIVEN ONLY FOR PLAN ORIENTATION

- GENERAL NOTES:
1. ALL DIMENSIONS ARE IN INCHES UNLESS OTHERWISE SPECIFIED
  2. ALL DIMENSIONS TO HAVE A TOLERANCE OF  $\pm 1/8$ " UNLESS OTHERWISE SPECIFIED
  3. FLANGE BOLT HOLES TO STRADDLE CENTER LINES
  4. COIL END PEDESTAL WELDED TO SKID AND OTHER IS BOLTED.
  5. APPROXIMATE WEIGHT: 16,000 lbs
  6. APPROXIMATE SHIPPING DIMENSIONS: 30'L x 7' 9"W x 9' 4"H

ORIGINAL

DOCUMENT NO.	DESCRIPTION	REV	DATE	BY	CHK	APP	DRAWING REVISIONS
		0	2008.05.20	KD		RFB	ISSUED FOR CONSTRUCTION

P.O. BOX 6280, INNISFAIL, AB T4G 1S9  
PH (403) 227-4100 FAX (403) 227-4102  
www.nwp.ca

ENCANA CORP. c/o TUNDRA ENG. Ltd.

SCALE 3/8" = 1'  
SHEET 1/3 DWG NWP-1494 REV 0



ISSUED FOR CONSTRUCTION

6011

S/N NWP-1494

May 26 2008

214 1/4" TOP OF STACK

MAY 23 2008

200 1/4" Ø LUG

51 5/8" Ø PREHEAT INLET AND REHEAT OULET

35 7/8" Ø CHOKE VALVE, PREHEAT OULET AND REHEAT INLET

27 7/8" Ø FUEL IN&OUT

6 5/8" Ø DRAIN

Ø DATUM

Ø DATUM

94 1/8" REF

20 5/8" Ø FIRETUBE

12 1/4" REF

ELEVATION VIEW

ORIGINAL

DOCUMENT NO.	DESCRIPTION	REV	DATE	BY	CHK	APP	
		0	2008.05.20.	KD	LD	KLB	ISSUED FOR CONSTRUCTION
REFERENCE DRAWINGS		DRAWING REVISIONS					

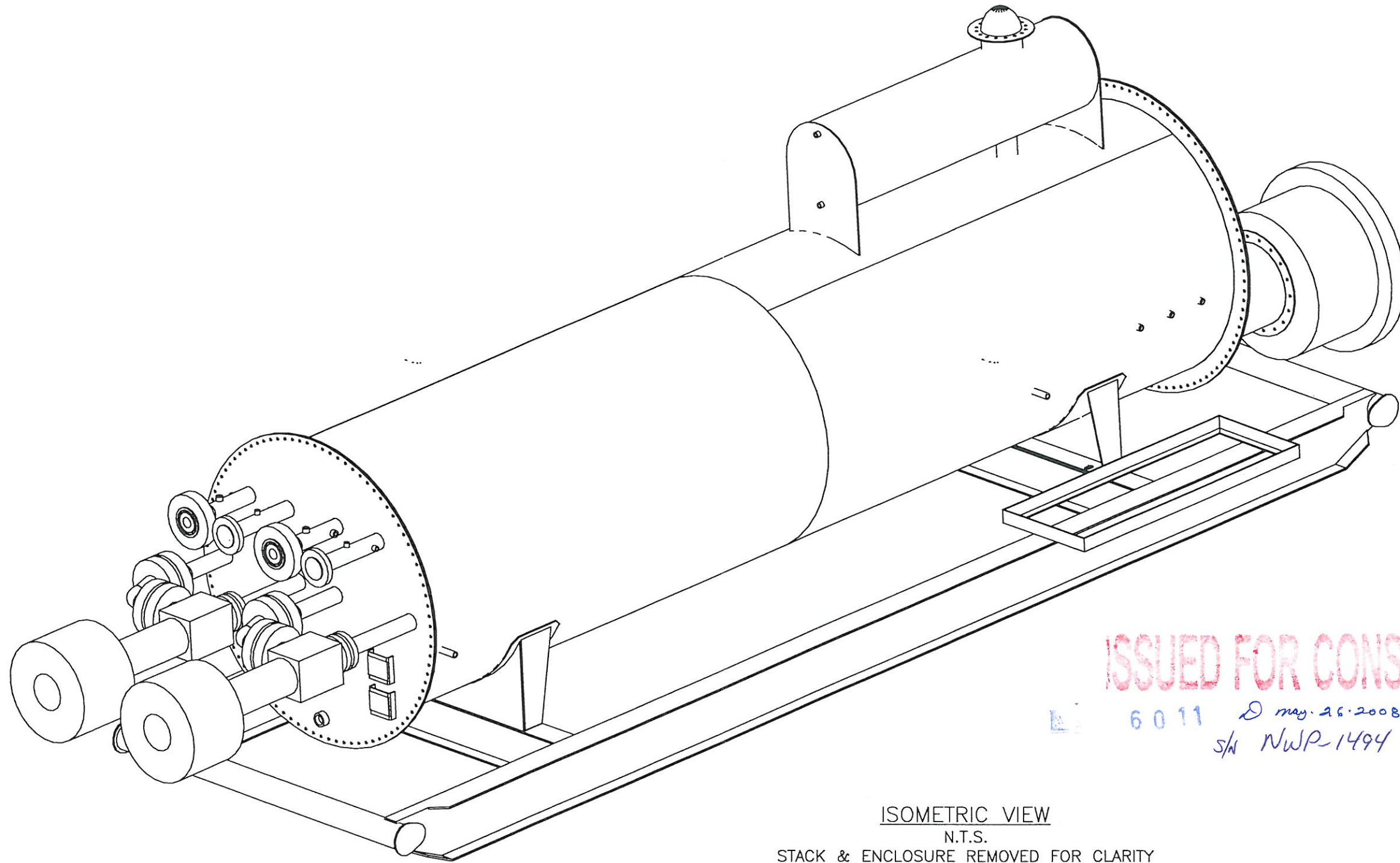
P.O. BOX 6280, INNISFAIL, AB T4G 1S9  
 PH (403) 227-4100 FAX (403) 227-4102  
 www.nwp.ca

THIS DRAWING IS PROPERTY OF NWP INDUSTRIES INC. AND MAY NOT BE REPRODUCED WITHOUT PERMISSION. THIS DRAWING MUST BE RETURNED UPON REQUEST.

GENERAL ARRANGEMENT  
 Ø60" x 20' LINE HEATER  
 1,880,000 BTU/HR  
 W/ 18" FIRETUBE  
 ENCANA CORP. c/o TUNDRA ENG. Ltd.

SCALE 3/8" = 1'  
 SHEET 2/3

DWG NWP-1494 REV 0



ISSUED FOR CONSTRUCTION

6011 *D* May 26, 2008  
 s/w NWP-1494 MAY 23 2008

ISOMETRIC VIEW  
 N.T.S.  
 STACK & ENCLOSURE REMOVED FOR CLARITY

ORIGINAL

DOCUMENT NO.	DESCRIPTION	REV	DATE	BY	CHK	APP	DRAWING REVISIONS
		0	2008.05.20.	KD	<i>[Signature]</i>	<i>[Signature]</i>	ISSUED FOR CONSTRUCTION
REFERENCE DRAWINGS							

**NWP**  
 INDUSTRIES INC.

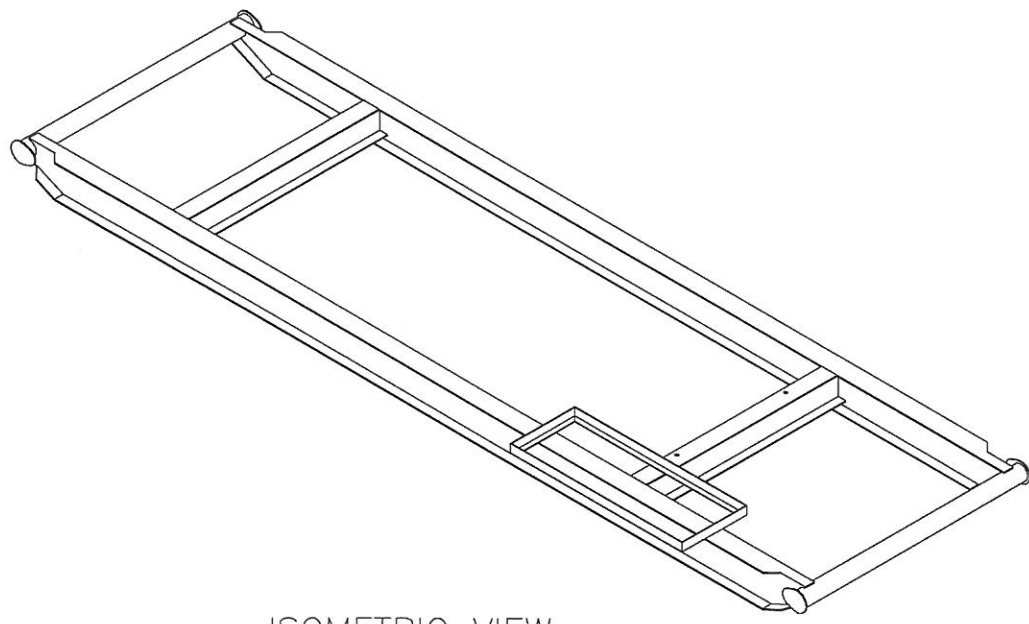
P.O. BOX 6280, INNISFAIL, AB T4G 1S9  
 PH (403) 227-4100 FAX (403) 227-4102  
 www.nwp.ca

THIS DRAWING IS PROPERTY OF NWP INDUSTRIES INC. AND MAY NOT BE REPRODUCED WITHOUT PERMISSION. THIS DRAWING MUST BE RETURNED UPON REQUEST.

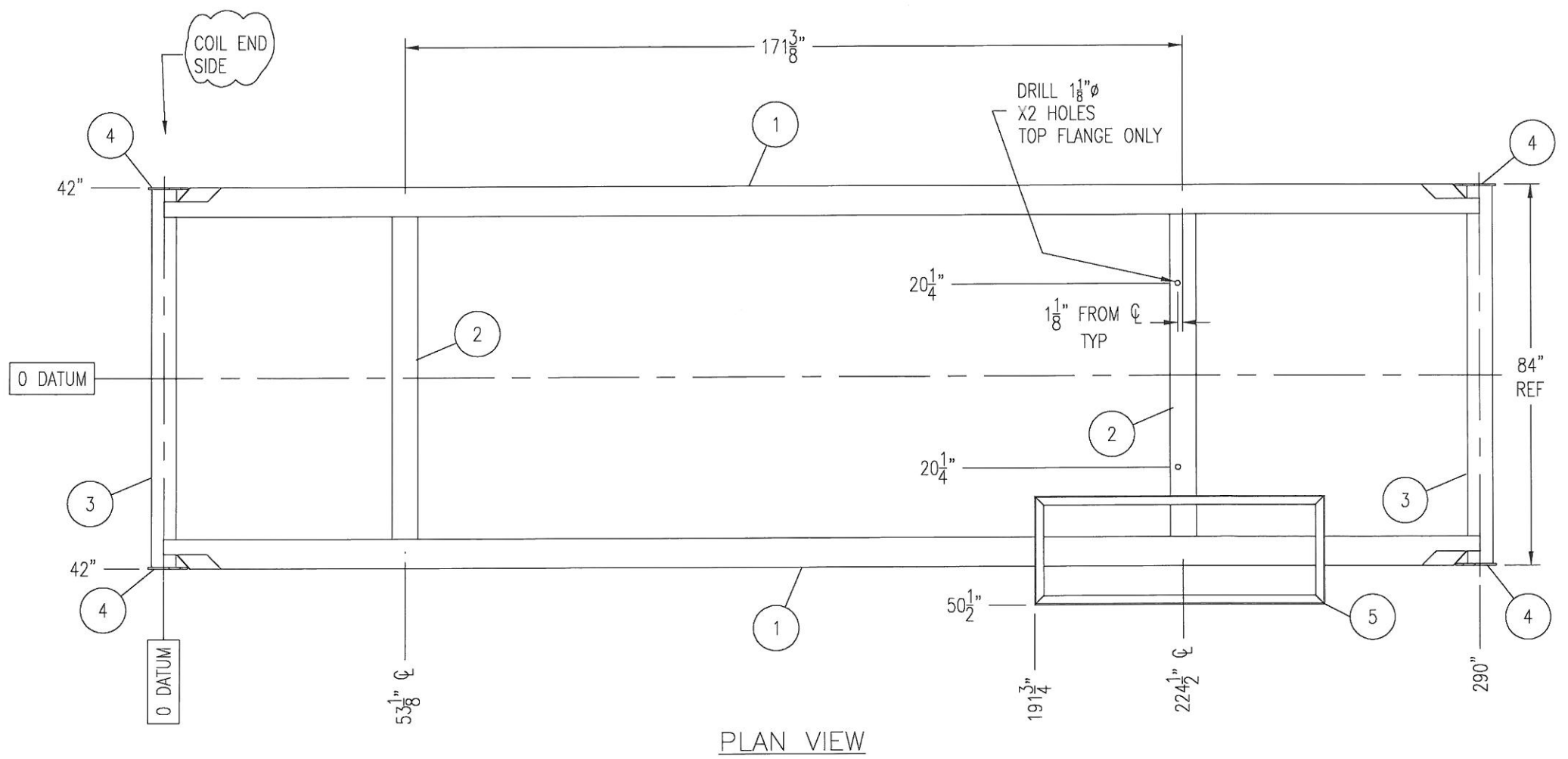
GENERAL ARRANGEMENT  
 Ø60" x 20' LINE HEATER  
 1,880,000 BTU/HR  
 W/ 18" FIRETUBE  
 ENCANA CORP. c/o TUNDRA ENG. Ltd.

SCALE 1/2" = 1'  
 SHEET 3/3

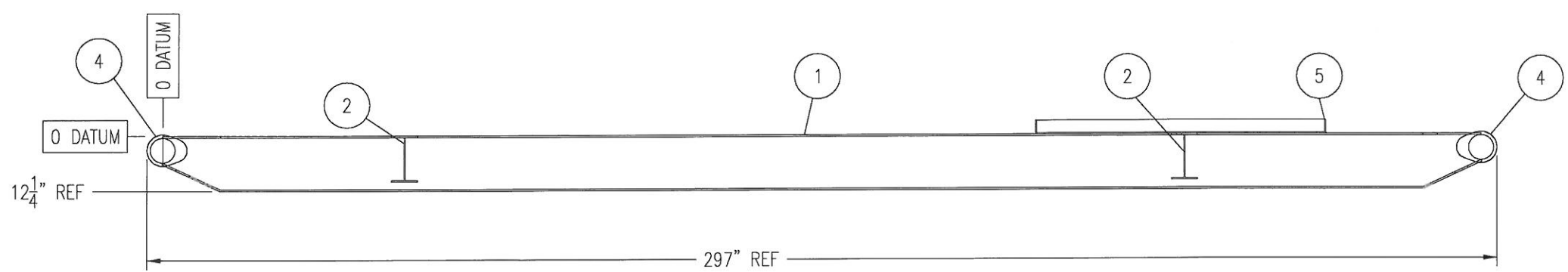
DWG NWP-1494 REV 0



ISOMETRIC VIEW  
N.T.S.



PLAN VIEW



ELEVATION VIEW

GENERAL NOTES:

1. ALL DIMENSIONS TO HAVE A TOLERANCE OF  $\pm 1/8$ " UNLESS OTHERWISE SPECIFIED
2. ALL FULL DEPTH MEMBERS TO BE FLUSH ON TOP
3. ALL WELDS TO BE  $3/8$ " CONTINUOUS FILLET WELDS UNLESS OTHERWISE NOTED
4. COPE STRUCTURAL MEMBERS AS REQUIRED
5. RADIUS ALL SHARP EDGES
6. SURFACE PREPARATION: BRUSH SAND BLAST
7. PAINT: CLOVERDALE CLOVACOAT 300 EPOXY WARM GRAY (2 COATS)
8. APPROX. WEIGHT: 1818 lb

DOCUMENT NO.	DESCRIPTION	REV	DATE	BY	CHK	APP	DRAWING REVISIONS
		1	2008.07.10.	KD			ISSUED FOR CONSTRUCTION (CHANGED LENGTH OF ITEMS# 1,4 IN BOM)
		0	2008.05.20.	KD			ISSUED FOR CONSTRUCTION
	REFERENCE DRAWINGS						

**NWP INDUSTRIES INC.**  
Total oilfield supply.  
P.O. BOX 6280, INNISFAIL, AB T4G 1S9  
PH (403) 227-4100 FAX (403) 227-4102  
www.nwp.ca

THIS DRAWING IS PROPERTY OF NWP INDUSTRIES INC. AND MAY NOT BE REPRODUCED WITHOUT PERMISSION. THIS DRAWING MUST BE RETURNED UPON REQUEST.

25' x 7' LINE HEATER SKID  
FOR  $\phi 60$ " x 20' LINE HEATER

SCALE  $3/8" = 1'$   
SHEET 1/2

DWG **NWP-1494-3** REV 1