

**PLAN VIEW**  
04-3052-R4

REV	DATE	DESCRIPTION	BY
1	NOV. 3/04	GENERAL CHANGES AS/PER COLT TRANSMITTAL # V-1881	AG
2	DEC. 14/04	GENERAL CHANGES AS/PER COLT TRANSMITTAL # V-1986	AG
3	JAN. 14/05	GENERAL CHANGES AS/PER COLT TRANSMITTAL # V-2120	AG
3	FEB. 14/05	AS-BUILT	AG

**SHIPPING DETAILS**

TOTAL WIDTH- 10'-3"  
 TOTAL HEIGHT- 16'-8"  
 TOTAL LENGTH- 25'-6"  
 APPROX WEIGHT- 24,000 (DRY)  
 26,000 (OPERATING)

SHED# S-100  
 LOC# DEEP BASIN DEV. AREA  
 AFE# 46179

**WARNING I**

This drawing and the design it covers are confidential and shall not be disclosed to others or reproduced in any manner, or used for any purpose whatsoever, except with written consent of R J V Gasfield Service Ltd.

BY	DATE	SCALE
AG	OCT 15/04	NTS

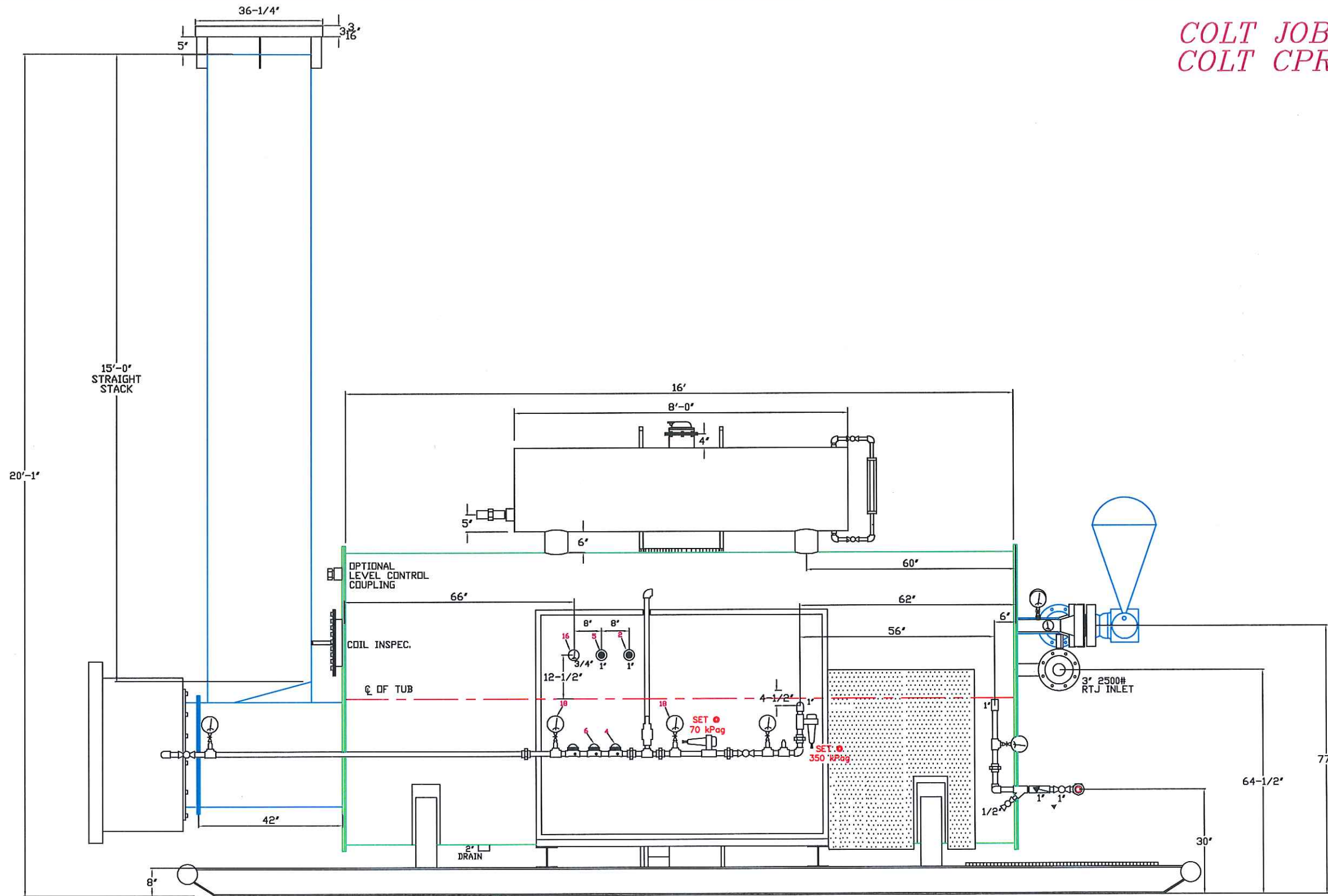
**RJV**

**GASFIELD SERVICE LTD.**  
 4901 - BRUCE RD WOODVILLE, ALTA  
 TUC 1CS  
 PHONE (780) 632-7774  
 FAX (780) 632-6820

TITLE: **TALISMAN ENERGY**  
**3MM BTU LINEHEATER PACKAGE**

COLT JOB#	04-C-4305	LAY-OUT
DWG.#	04-3052-R4-LAY-OUT	REV.# 4
RJV JOB#	04-3052	

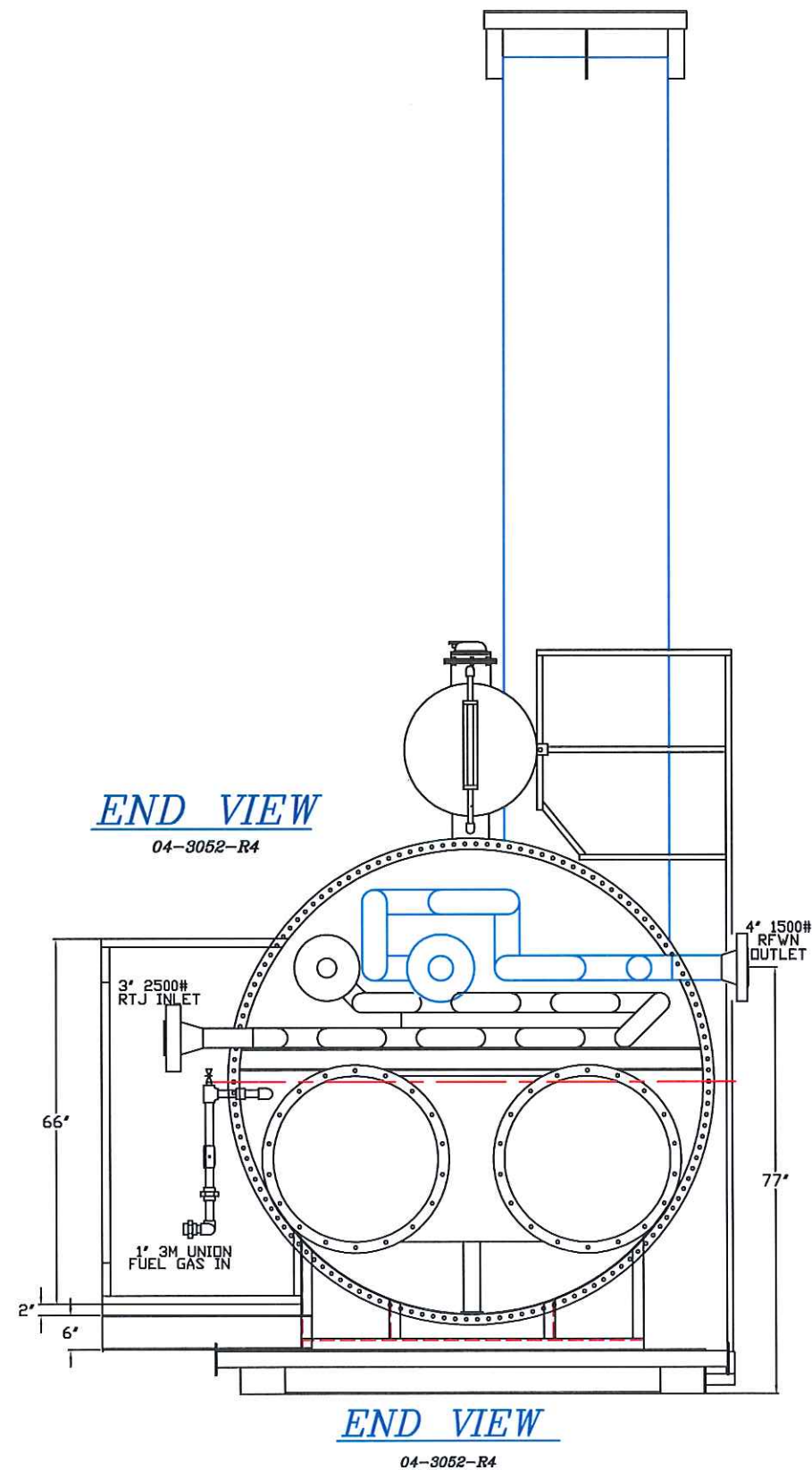
COLT JOB# 04-C-4305  
COLT CPR# 303273



**ELEVATION VIEW**

04-3052-R4

REV	DATE	DESCRIPTION	BY	SHIPPING DETAILS		WARNING !			GASFIELD SERVICE LTD.		
1	NOV. 3/04	GENERAL CHANGES AS/PER COLT TRANSMITTAL # V-1881	AG	TOTAL WIDTH-	10'-3"	<p><b>SHED# S-100</b> <b>LOC# DEEP BASIN DEV. AREA</b> <b>AFE# 46179</b></p>	<p>This drawing and the design it covers are confidential and shall not be disclosed to others or reproduced in any manner, or used for any purpose whatsoever, except with written consent of R J V Gasfield Service Ltd.</p>			<p><b>RJV</b> 4901 - BRUCE RD VEGREVILLE, ALTA T9C 1G3 PHONE (780) 638-7774 FAX (780) 638-8880</p>	
2	DEC. 14/04	GENERAL CHANGES AS/PER COLT TRANSMITTAL # V-1986	AG	TOTAL HEIGHT-	16'-8"						
3	JAN. 14/05	GENERAL CHANGES AS/PER COLT TRANSMITTAL # V-2120	AG	TOTAL LENGTH-	25'-6"						
3	FEB. 14/05	AS-BUILT	AG	APPROX. WEIGHT-	24,000 (DRY) 26,000 (OPERATING)						
							BY	DATE	SCALE	TITLE: <b>TALISMAN ENERGY</b>	
							AG	OCT 15/04	NTS	COLT JOB# 04-C-4305	LAY-OUT
									REV.# 4	RJV JOB# 04-3052	




REV	DATE	DESCRIPTION	BY
1	NOV. 3/04	GENERAL CHANGES AS/PER COLT TRANSMITTAL # V-1881	AG
2	DEC. 14/04	GENERAL CHANGES AS/PER COLT TRANSMITTAL # V-1986	AG
3	JAN. 14/05	GENERAL CHANGES AS/PER COLT TRANSMITTAL # V-2120	AG
3	FEB. 14/05	AS-BUILT	AG

**SHIPPING DETAILS**

TOTAL WIDTH- 10'-3"  
 TOTAL HEIGHT- 16'-8"  
 TOTAL LENGTH- 25'-6"  
 APPROX WEIGHT- 24,000 (DRY)  
 26,000 (OPERATING)

SHED# S-100  
 LOC# DEEP BASIN DEV. AREA  
 AFE# 46179

WARNING !		
This drawing and the design it covers are confidential and shall not be disclosed to others or reproduced in any manner, or used for any purpose whatsoever, except with written consent of R J V Gasfield Service Ltd.		
BY	DATE	SCALE
AG	OCT 15/04	NTS

	<b>GASFIELD SERVICE LTD.</b> <small>4901 - BRUCE RD WOODVILLE, ALTA        PHONE (780) 638-7774        FAX (780) 638-6820</small>	
	<b>TITLE: TALISMAN ENERGY</b> <b>3MM BTU LINEHEATER PACKAGE</b>	
COLT JOB# 04-C-4305	LAY-OUT	
DWG.# 04-3052-R4-LAY-OUT	REV.# 4	RJV JOB# 04-3052

# EQUIPMENT & MATERIALS

TAG #	ITEM	QTY	DESCRIPTION
LH-100	1	1	RJV 2,500# X 1.500# ANSI 3,000,000 BTU/HR HORIZONTAL LINE HEATER C/W 84" DIA. X 16' GLYCOL BATH SHELL, 3" 2,500 ANSI SCH XXH 16 PASS PRIMARY COILS (5,679 psi/39,150 KPa). DESIGN PRESSURE, 4" 1,500# ANSI SCH. 160 8 PASS SECONDARY COILS (3,408 psi/23,500 KPa). DESIGN PRESSURE, 30" X 344" WT ERV 2-PASS FLANGED FIRE TUBE ASSEMBLY, 3" 2,500 30" X 344" WT ERV X 12" HIGH VENT STACK ASSEMBLY, 3" 2,500 ANSI SCH XXH RTJ PRIMARY COIL INLET & OUTLET NOZZLE, 4" 1,500# 2" NPT 3,000# COUPLING BOILER DRAIN, 1" NPT 3,000# COUPLING FG PRE-HEAT COIL NOZZLES, TC NOZZLE, TSH NOZZLE, 3/4" NPT 3,000# COUPLING TI NOZZLE, SPARE NOZZLE, 2" THICK FIBERGLASS INSULATION OVER SURFACE OF BOILER VESSEL C/W 26 GAUGE WHITE METAL CLADDING 24" X 250" WT ERV X 8' LONG EXPANSION TANK, C/W MODEL JT-16 JAYCO THIEF HATCH STANDARD SERVICE, BATH TEMP 190°F ENARDO MODEL FAB44-24/30A (2) FLAME ARRESTED BURNER ASSEMBLY, 3,000,000 BTU/HR. (GROSS) RATING/ 2.65 MM BTU/HR. NET. FLAMECO 1/4" PILOT ASSEMBLY *C/W 5" X 22" SCH. 80 NIPPLE T.B.E>
BURNER	2	1	KIMRAY 1" NPT TYPE 627-542-DI, STD SERVICE, STEEL BODY, 1/8 SS DRIFICE/TRIM (FUEL GAS)
SIGHT GLASS	3	1	FISHER 1" NPT TYPE 627-542-DI, STD SERVICE, STEEL BODY, 1/8 SS DRIFICE/TRIM (BURNER)
FSD-109	4	1	NYLON DISC, 2,000 psig. M.D.P., 5-20 psig. SPRING RANGE, SET@ 70 Kpaq. (10 PSIG.) (BURNER)
LSLL-120	5	1	WELLMARK SNAPTRON 2" NPT PNEUMATIC LEVEL SWITCH, STD. SERVICE, 3-WAY MICRO SWITCH, 2" X 6" LONG FLOAT, 10' FLDAT ARM
TSH-120	6	1	KIMRAY MODEL T-12 TEMPERATURE CONTROLLER BASE ASSEMBLY, STD. SERVICE, 5-30 psig. SUPPLY SIGNAL, -30 TO 400°F TEMP RANGE, 500 psig. M.D.P.
ESDV-101/102	7	2	KIMRAY MODEL SS12 SEPARABLE SOCKET, STEEL CONSTRUCTION, 1" MNPT EXTERNAL THREAD X 1/2" FNPT INTERNAL THREAD, 4,000 psig. M.D.P.
TC-108	8	1	FISHER 1" NPT MOTOR VALVE, STEEL BODY, 1" NPT END CONNECTION STD SERVICE, 0-35 psig. SIGNAL (ON/OFF), 125 psig. M.D.P.
TCV-102	9	1	KIMRAY MODEL SS12 SEPARABLE SOCKET, STEEL CONSTRUCTION, 1" MNPT EXTERNAL THREAD X 1/2" FNPT INTERNAL THREAD, 4,000 psig. M.D.P.
UV-102	10	1	FISHER 1" NPT MOTOR VALVE, STEEL BODY, 1" NPT END CONNECTION STD SERVICE, 0-35 psig. SIGNAL (ON/OFF), 125 psig. M.D.P.
H-100	11	1	AMDT 1/4" NPT MODEL 4057/0025HE PNEUMATIC 3-WAY SWITCHING VALVE TYPE 1CP C/W OVERLAP, ALUMINUM BODY, VITRIN SEALS, 125 psig. MAX. ALL PORTS. C/W DYNA-FLO DFN-156 ACTUATOR, 6-30 psig. FAIL CLOSED/AIR TO OPEN
PRV-118	12	1	SAFETY SHUT OFF VALVE, THERMOSTAT, FISHER TYP 912 REGULATOR, MAXITROL APPLIANCE REGULATOR, 12" X 12" PROTECTION GRILL, VENTED TO OUTSIDE, 12 VDC ELECTRICAL TO SKID EDGE, 25' START-UP CABLE COILED ON BRACKET MOUNTED ON EXTERIOR OF BUILDING IN LOCKABLE BATTERY CABLE BOX.
PCV-125	13	1	FISHER 1" NPT TYPE 627-542-DI, STD SERVICE, STEEL BODY, 1/8 SS DRIFICE/TRIM (FUEL GAS)
PCV-100	13A	1	FISHER 1" NPT TYPE 627-542-DI, STD SERVICE, STEEL BODY, 1/8 SS DRIFICE/TRIM (BURNER)
PCV-122	14	1	FISHER 1/4" NPT TYPE 912N-523, STD SERVICE, ZINC BODY, 2.7-5 psig. SPRING RANGE, SET @ 28 Kpaq. (4 psig.) BURNER PILOT FUEL GAS SUPPLY
TI-104/105/106/107	15	4	TREND MODEL 92, 5" DIAL, 6" STEM, 0-120°C, DUAL SCALE, HP INLET, LP OUTLET 1/2" X 3/4" X 6" 316 STAINLESS STEEL THERMOWELLS
TI-111	16	1	TREND MODEL 92, 5" DIAL, 6" STEM, 20-50°C. DUAL SCALE, ON FUEL GAS SCRUBBER 1/2" X 3/4" X 6" 316 STAINLESS STEEL THERMOWELL
FCV-100	17	1	MILLIS MODEL M2 3" 2500# X 1500# CHOKER VALVE, (2) 1/2" TC PORTS, STD. SERVICE, C/W DYNA-FLO DFN-156 ACTUATOR, 6-30 psig. FAIL CLOSED/AIR TO OPEN
PRESSURE IND.	18	7	WIKA # 23354, 4" DIAL, 1/2" NPT BOTTOM CONNECTION, 316 SST TUBE, TIP, SOCKET & CASE, DUAL SCALE, LIQUID FILLED
PI-105			10,000 Psig. ON PRE-HEAT COIL
PI-106/129			5,000 Psig. OUTLET/RE-HEAT COIL
PI-121			150 Psig. ON FUEL GAS INLET
PI-111			200 Psig. ON FUEL GAS
PI-122/123			50 Psig. ON HEATER FUEL GAS SUPPLY
YS-100	19	1	ALBERTA STRAINER 1" NPT 1,480 psi WP, FIG# YS600
FIRE-LOOP			FUSEABLE LINKS SWAGelok 210°F MELT POINT, CONNECTED IN ESDV ON BURNER CONTROLS
SV-101	20	1	FISHER 167A SWITCHING VALVE
PSSH-101	21	1	CCS DUAL SNAP PRESSURE SWITCH, 1/2" S.S CONST., EXPLOSION PROOF SWEET SERVICE, 120 VAC / 12 VDC. RATING, 12-150 psi.

NUTRON 1/2" NPT 3,000 PSI #T3-F05S30-B  
 NUTRON 3/4" NPT 3,000 PSI #T3-RD7320-B,  
 NUTRON 1" NPT 3,000 PSI #T3-R10S30-B,  
 NAVCO 2" NPT 2000 PSI #H1-R20S20-S,  
 STAND SERVICE TRIM, GLYCOL TANK DRAIN  
 AGCO 1/4" NPT FXF 6000 PSI #H5RDC-2, 316 STAINLESS STEEL  
 PLAINSMAN 1" NPT 3,000 PSI FIG# CB-100, BALL CHECK.  
 NAVCO 1" NPT 1,500# STD SERVICE GLOBE VALVE MODEL GL-R10SD8A8  
 TUBING- 3/8", 1/2" .035 WT 316 STAINLESS STEEL.  
 TUBE FITTINGS- SWAGelok 316 STAINLESS STEEL FITTINGS  
 \*\* ALL SENSING LINES TO BE 1/2" OD \*\*  
 SKID- 84" WIDE X 24" LONG C/W 8"Ø31 RUNNER & PERIPHERY  
 6"Ø15 CROSS BEAMS, 3-1/2" DRILL STEM PULL BARS AT EACH END  
 MISC. STEEL & CLAMPS, ALL PIPING & EQUIPMENT STANDS & SUPPORTS  
 AS REQUIRED, 2" THICK POLY URETHANE UNDERSKID INSULATION  
 BUILDING- 84' WIDE X 48' HIGH X 36' DEEP, FLAT ROOF CABINET  
 ALUMINUM EXTRUSIONS, 28 GAUGE PREPAINTED WHITE STEEL EXTERIOR,  
 INJECTED PANEL TYPE, C/W  
 R12 INSULATION VALUE, 28 GAUGE PREPAINTED WHITE INTERIOR,  
 DOOR- (2) 36" X 36" WIDE, URETHANE INJECTED PANEL TYPE, C/W HARDWARE  
 VENTS- (2)- 8" X 8" INSULATED ALUMINUM LOUVERED C/W SCREENS  
 (1) 8" X 8" GAS MONITOR DOOR (DOG DOOR STYLE)  
 MISC- WALL MOUNTED MANUAL /CHART HOLDER, CUT-OUTS AND FLASHING  
 \*\*2500# PIPING/FLANGES LOW TEMP MATERIAL AS PER FCS SPEC.\*\*  
 \*\*ALL PIPING LOW TEMP\*\* \*\*1500# PIPING/FLANGES LOW TEMP NATL.\*\*  
 FLANGES: A350-LF2: 1500# ANSI: 2" SCH. 80  
 1500# ANSI: 3" SCH. 160  
 4" SCH. 160  
 \*\*\*RTJ\*\*\* 2500# ANSI: 3" SCH. XXH  
 4" SCH. XXH  
 4" SCH. XXH  
 WELDED FITTINGS: SA-234-WPB SCH. 80/SCH 160 & XXH AS PER ABOVE  
 SCREWED FITTINGS: 150# ANSI: A350-LF2 3,000# FS  
 1,500# ANSI: A350-LF2 6,000# FS  
 OLETS: 150# ) A350-LF2 3,000# FS  
 1,500# ANS1J A350-LF2 6,000# FS  
 2,500# ANS1J A350-LF2 9,000# FS  
 PIPE & NIPPLES: ALL PIPING LOW TEMP  
 WELDED PIPING: 150# ANSI: 2" SCH. 80  
 1,500# ANSI: 3" SCH. 160  
 2,500# ANSI: 4" SCH. XXH  
 3" SCH. XXH  
 4" SCH. XXH  
 THREADED PIPE, NIPPLES AND SWAGES: 150# ANSI: SCH 80  
 1500# ANSI: SCH 160  
 2500# ANSI: SCH 160  
 BOLTING: ASTM A193 GR B7 STUDS/ASTM A194 GR 2H NUTS  
 GASKETS: 1,500# ANS1J 316 SST FLEXITALIC  
 2,500# ANS1J 316 DVAL RING GASKETS  
 100% RADIOGRAPHY SHALL BE SUBJECTED TO 2500# PIPING AND 10%  
 ON ALL OTHER PIPING  
 WELDED PIPING & EQUIPMENT SHALL BE HYDROTESTED, 150# ANSI 428 psig  
 1500# ANSI: 5,115 psig  
 2500# ANSI: 8519 psig  
 ALL VENTING CONTROLS AND INSTRUMENTS SHALL BE VENTED TO  
 SKID EDGE AND SHALL BE OPERATIONALLY AIR TESTED  
 ALL METAL SURFACES SHALL BE MECHANICALLY CLEANED TO  
 SSPC-SP-2, 1 COAT OF ZINC CHROMATE PRIMER AND 1 FINISH  
 COATS OF ALL-COLOR ENAMEL PAINT AS FOLLOWS-  
 VESSELS, EQUIP. PIPING & TANKS: WARM GREY  
 SKID & STRUCTURAL STEEL: WARM GREY  
 ALL PIPING SHALL BE BUILT TO B31.3 CODE SPECIFICATIONS AS A MINIMUM

- 1) ALLOW ACCESS FOR ROD TO HLSD FLOAT.
- 2) SPOOL PIECE FOR FUEL GAS METER (OPTIONAL)
- 3) DISPLACER MUST FLOAT IN A MINIMUM SPECIFIC GRAVITY OF 0.75
- 4) FIRE LOOP TO BE INCLOSED INSIDE OF CABINET

COLT JOB# 04-C-4305  
 COLT CPR# 303273

**WARNING !**

This drawing and the design it covers are confidential and shall not be disclosed to others or reproduced in any manner, or used for any purpose whatsoever, except with written consent of R J V Gasfield Service Ltd.



**GASFIELD SERVICE LTD.**

4901 - BRUCE RD VEGREVILLE, ALTA  
 T9C 1C3  
 PHONE (780) 632-7774  
 FAX# (780) 632-8820

TITLE: **TALISMAN ENERGY**  
 3MM BTU LINEHEATER PACKAGE

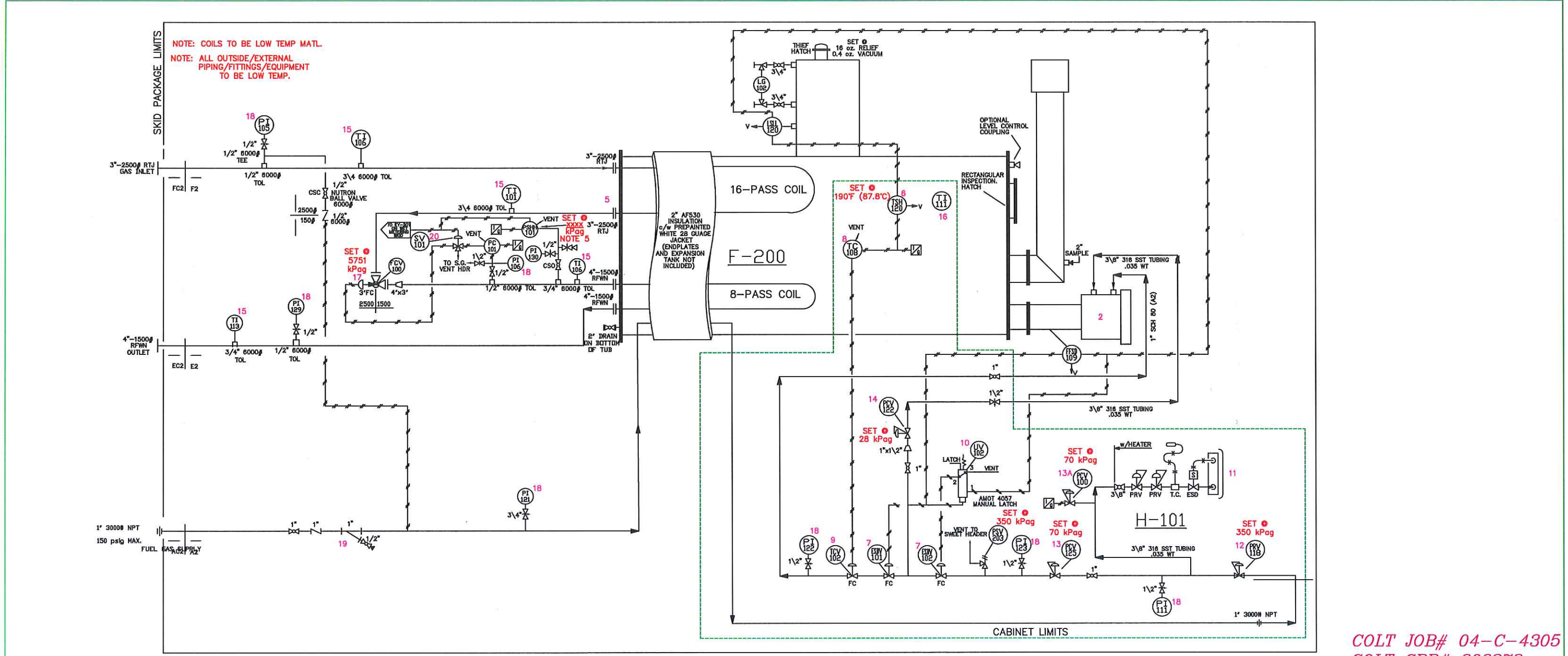
REV	DATE	DESCRIPTION	BY
1	NOV. 3/04	GENERAL CHANGES AS PER COLT TRANSMITTAL # V-1081	AG
2	DEC.14/04	GENERAL CHANGES AS PER COLT TRANSMITTAL # V-1080	AG
3	JAN 14/05	GENERAL CHANGES AS PER COLT TRANSMITTAL # V-2120	AG
4	FEB 14/05	AS-BUILT	AG

SHIPPING DETAILS	
TOTAL WIDTH- 10'-3"	TOTAL LENGTH- 25'-6"
TOTAL HEIGHT- 16'-8"	APPROX WEIGHT- 18250 (DRY) 19020 (OPERATING)

SHED# S-100  
 LOC# DEEP BASIN DEV. AREA  
 AFE# 46179

BY	DATE	SCALE
AG	OCT 19/ 04	NTS

COLT JOB# 04-C-4305	B.O.M.
DWG.# 04-3052-R4-BOM	REV.# 4
	RJV JOB# 04-3052



NOTE: COILS TO BE LOW TEMP. MATL.  
 NOTE: ALL OUTSIDE/EXTERNAL PIPING/FITTINGS/EQUIPMENT TO BE LOW TEMP.

COLT JOB# 04-C-4305  
 COLT CPR# 303273

- NOTES**
- 1) ALLOW ACCESS FOR ROD TO LSSL FLOAT.
  - 2) SPOOL PIECE FOR FUEL GAS METER (OPTIONAL)
  - 3) DISPLACER MUST FLOAT IN A MINIMUM SPECIFIC GRAVITY OF 0.75
  - 4) FIRE LOOP TO BE INCLOSED INSIDE OF CABINET
  - 5) SEE ATTACHMENT WITH SITE SPECIFIC SETTINGS

**H-201  
 CABINET HEATER**  
 TYPE: CATADYNE  
 BX12X12 6,000 BTU  
 Safety Shut-Off Valves

**F-200  
 LINEHEATER**  
 TYPE: 3 MM BTU  
 INDIRECT FIRED  
 2500# ANSI PRIMARY COIL  
 (5,679 psig (39,150 kPag.) DESIGN., 190°F(87.8°C) DESIGN TEMP.)  
 1500# ANSI SECONDARY COIL  
 (3,408 psig (23,500 kPag.) DESIGN., 190°F (87.8°C) DESIGN TEMP.)

**WARNING !**  
 This drawing and the design it covers are confidential and shall not be disclosed to others or reproduced in any manner, or used for any purpose whatsoever, except with written consent of R J V Gasfield Service Ltd.

**RJV**  
**GASFIELD SERVICE LTD.**  
 4901 - BRUCE RD VEGREVILLE, ALTA  
 T9C 1C3  
 PHONE (780) 632-7774  
 FAX# (780) 632-8820

**TITLE: TALISMAN ENERGY**  
 3MM BTU LINEHEATER PACKAGE SWEET

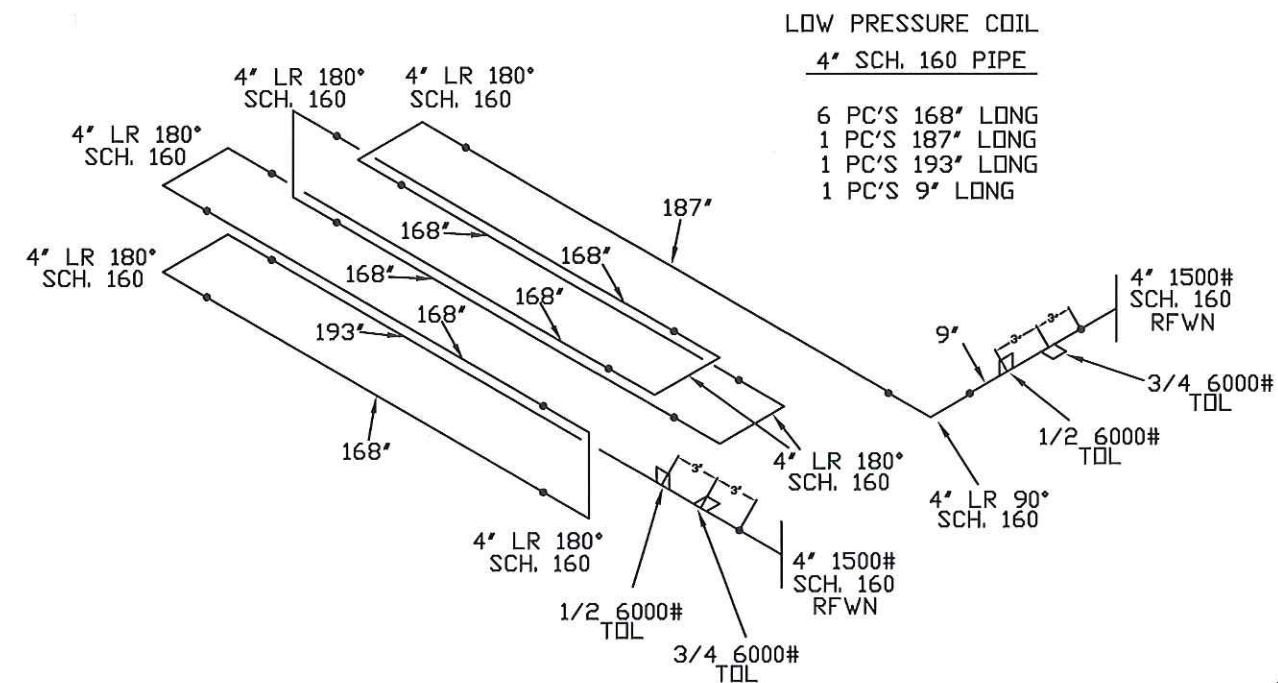
REV	DATE	DESCRIPTION	BY
1	NOV. 3/04	GENERAL CHANGES AS PER COLT TRANSMITTAL # Y-1001	AG
2	DEC.14/04	GENERAL CHANGES AS PER COLT TRANSMITTAL # Y-1009	AG
3	JAN 14/05	GENERAL CHANGES AS PER COLT TRANSMITTAL # Y-2100	AG
4	FEB 14/05	AS-BUILT	AG

**SHIPPING DETAILS**  
 TOTAL WIDTH- 10'-3"  
 TOTAL HEIGHT- 16'-8"  
 TOTAL LENGTH- 25'-8"  
 APPROX. WEIGHT- 24,000 LB. (DRY)  
 26,000 LB. (OPERATING)

**SHED# S-100**  
**LOC# DEEP BASIN DEV. AREA**  
**AFE# 46179**

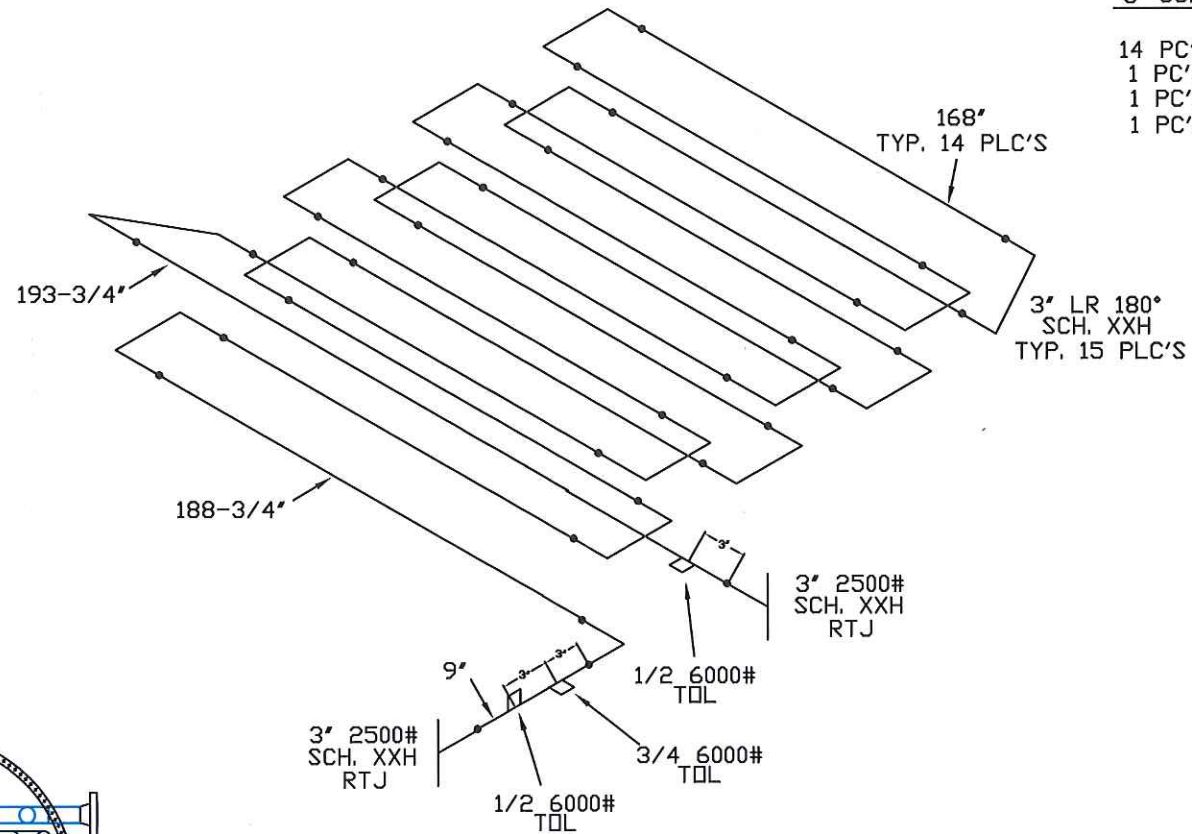
BY	DATE	SCALE
AG	OCT 15/ 04	NTS

COLT JOB# 04-C-4305	P&ID
DWG.# 04-3052-R4-P&ID	REV.# 4
	RJV JOB# 04-3052



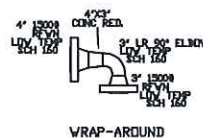
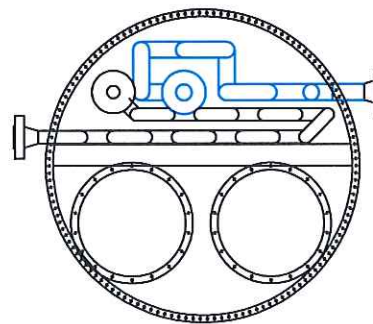
LOW PRESSURE COIL  
4" SCH. 160 PIPE

6 PC'S 168" LONG  
1 PC'S 187" LONG  
1 PC'S 193" LONG  
1 PC'S 9" LONG



HIGH PRESSURE COIL  
3" SCH. XXH PIPE

14 PC'S 168" LONG  
1 PC'S 193-3/4" LONG  
1 PC'S 188-3/4" LONG  
1 PC'S 9" LONG



COLT JOB# 04-C-4305  
COLT CPR# 303273

**SHIPPING DETAILS**

TOTAL WIDTH- 10'-3"  
TOTAL HEIGHT- 16'-8"  
TOTAL LENGTH- 25'-6"  
APPROX WEIGHT- 24,000 (DRY)  
26,000 (OPERATING)

SHED# S-100  
LOC# DEEP BASIN DEV. AREA  
AFE# 46179

**WARNING !**

This drawing and the design it covers are confidential and shall not be disclosed to others or reproduced in any manner, or used for any purpose whatsoever, except with written consent of R J V Gasfield Service Ltd.



**GASFIELD SERVICE LTD.**

4901 - BRUCE RD VEGREVILLE, ALTA  
T9C 1C3  
PHONE (780) 632-7774  
FAX# (780) 632-8820

TITLE: **TALISMAN ENERGY**

3MM BTU LINEHEATER PACKAGE SWEET

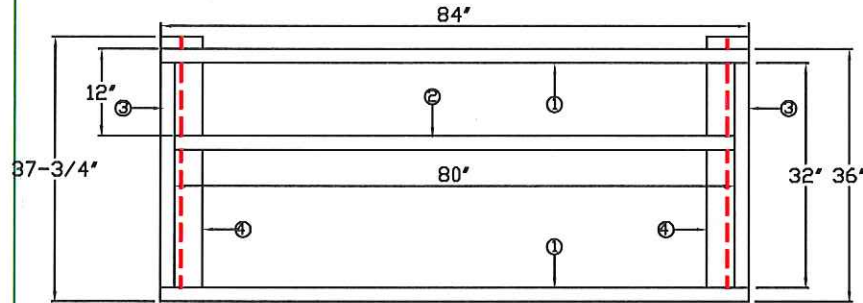
REV	DATE	DESCRIPTION	BY
1	NOV. 3/04	GENERAL CHANGES AS PER COLT TRANSMITTAL # V-1001	AG
2	DEC. 14/04	GENERAL CHANGES AS PER COLT TRANSMITTAL # V-1000	AG
3	JAN. 14/05	GENERAL CHANGES AS PER COLT TRANSMITTAL # V-2100	AG

BY	DATE	SCALE
AG	OCT 19/ 04	NTS

COLT JOB# 04-C-4305	COILS
DWG.# 04-3052-R3-COILS	REV.# 3
	RJV JOB# 04-3052-R1

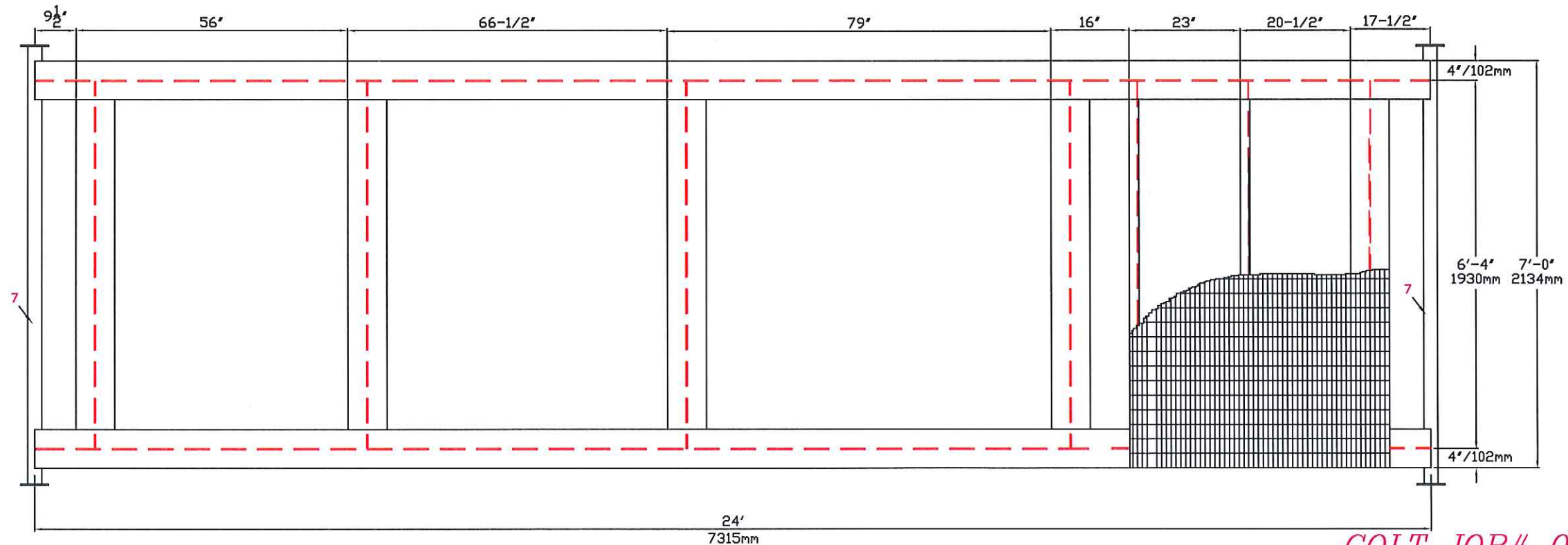
TALISMAN LINE HEATER  
 JOB# 04-3052-R4  
 3MM BTU LINE HEATER  
 CABINET BASE

1. 2 PIECES 2" x 2" x 1/8" TUBING 84" LONG.
2. 1 PIECE 2" x 2" x 1/8" TUBING 80" LONG.
3. 2 PIECES 2" x 2" x 1/8" TUBING 32" LONG.
4. 2 PIECES 6@15 WF I-BEAM 37-3/4" LONG.



TALISMAN LINE HEATER SKID  
 JOB# 04-3052-R4  
 3MM BTU LINE HEATER

1. 2 PIECES 8"@31 BEAM 24' LONG.
2. 5 PIECES 8"@31 BEAM 75-3/4" LONG.
4. 2 PIECES 6"@8.2 CHANNEL 75-3/4" LONG.
5. 2 PIECES- 90-1/2" LONG, 3 1/2" DRILL STEM PULL BARS
6. 1-1/4" GRATING SECTION 54" LONG X 84" WIDE



COLT JOB# 04-C-4305  
 COLT CPR# 303273

REV	DATE	DESCRIPTION	BY
1	NOV. 3/04	GENERAL CHANGES AS/PER COLT TRANSMITTAL # V-1881	AG
2	DEC. 14/04	GENERAL CHANGES AS/PER COLT TRANSMITTAL # V-1986	AG
3	JAN. 14/05	GENERAL CHANGES AS/PER COLT TRANSMITTAL # V-2120	AG
4	FEB. 14/05	AS-BUILT	AG

<u>SHIPPING DETAILS</u>	
TOTAL WIDTH-	10'-3"
TOTAL HEIGHT-	16'-8"
TOTAL LENGTH-	25'-6"
APPROX WEIGHT-	24,000 (DRY)
	26,000 (DRY)

SHED# S-100  
 LOC# DEEP BASIN DEV. AREA  
 AFE# 46179

WARNING		
This drawing and the design it covers are confidential and shall not be disclosed to others or reproduced in any manner, or used for any purpose whatsoever, except with written consent of R J V Gasfield Service Ltd.		
BY	DATE	SCALE
AG	OCT 15/04	NTS

**RJV** GASFIELD SERVICE LTD.  
 4001 - BRUCE RD VIRENSVILLE, ALTA  
 T9C 1C8  
 PHONE (780) 688-7774  
 FAX (780) 688-6282

TITLE: **TALISMAN ENERGY**  
 3MM BTU LINEHEATER PACKAGE SWEET

COLT JOB# 04-C-4305	SKID DETAIL
DWG.# 04-3052-R4-SK	REV.# 4
	RJV JOB# 04-3052