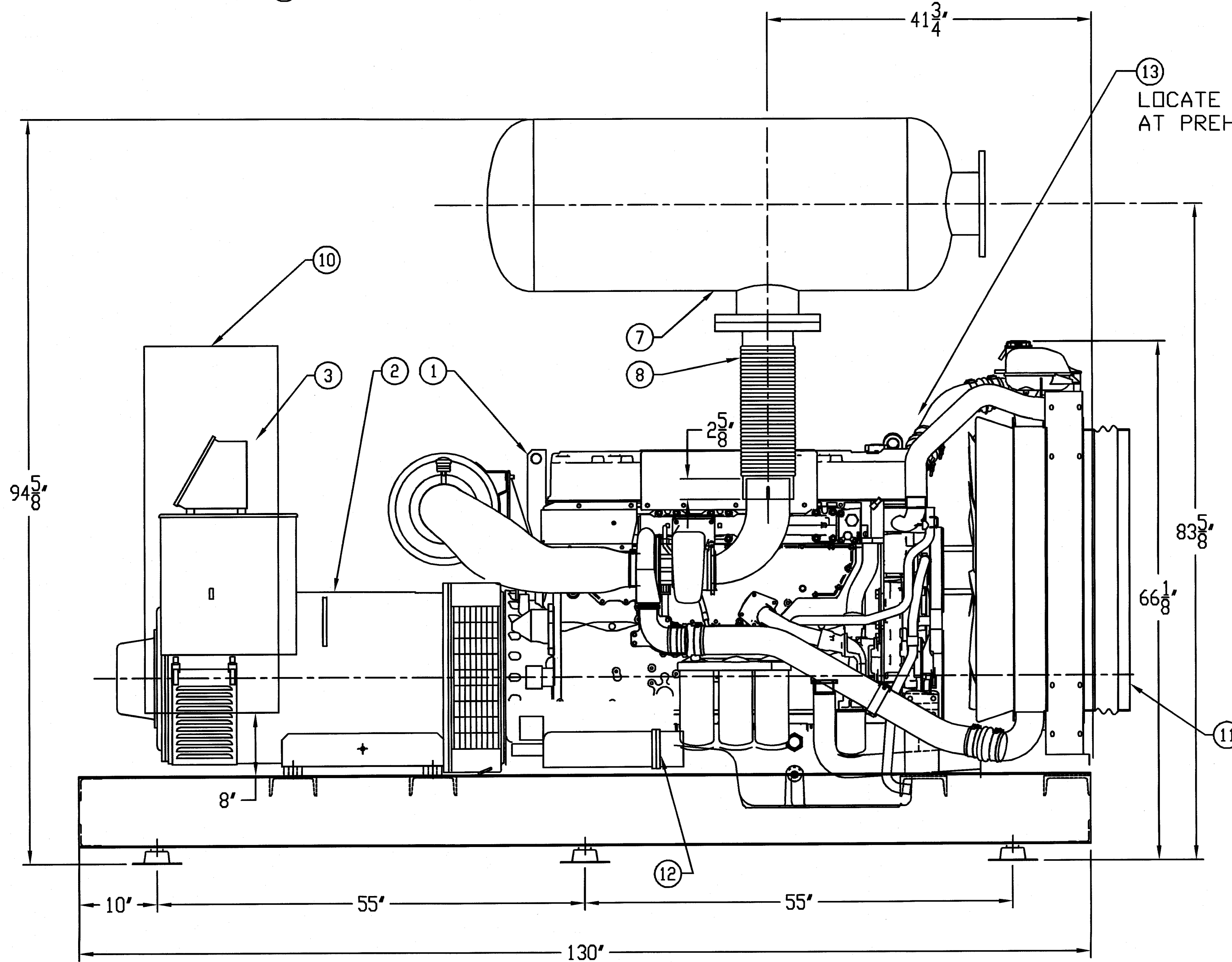
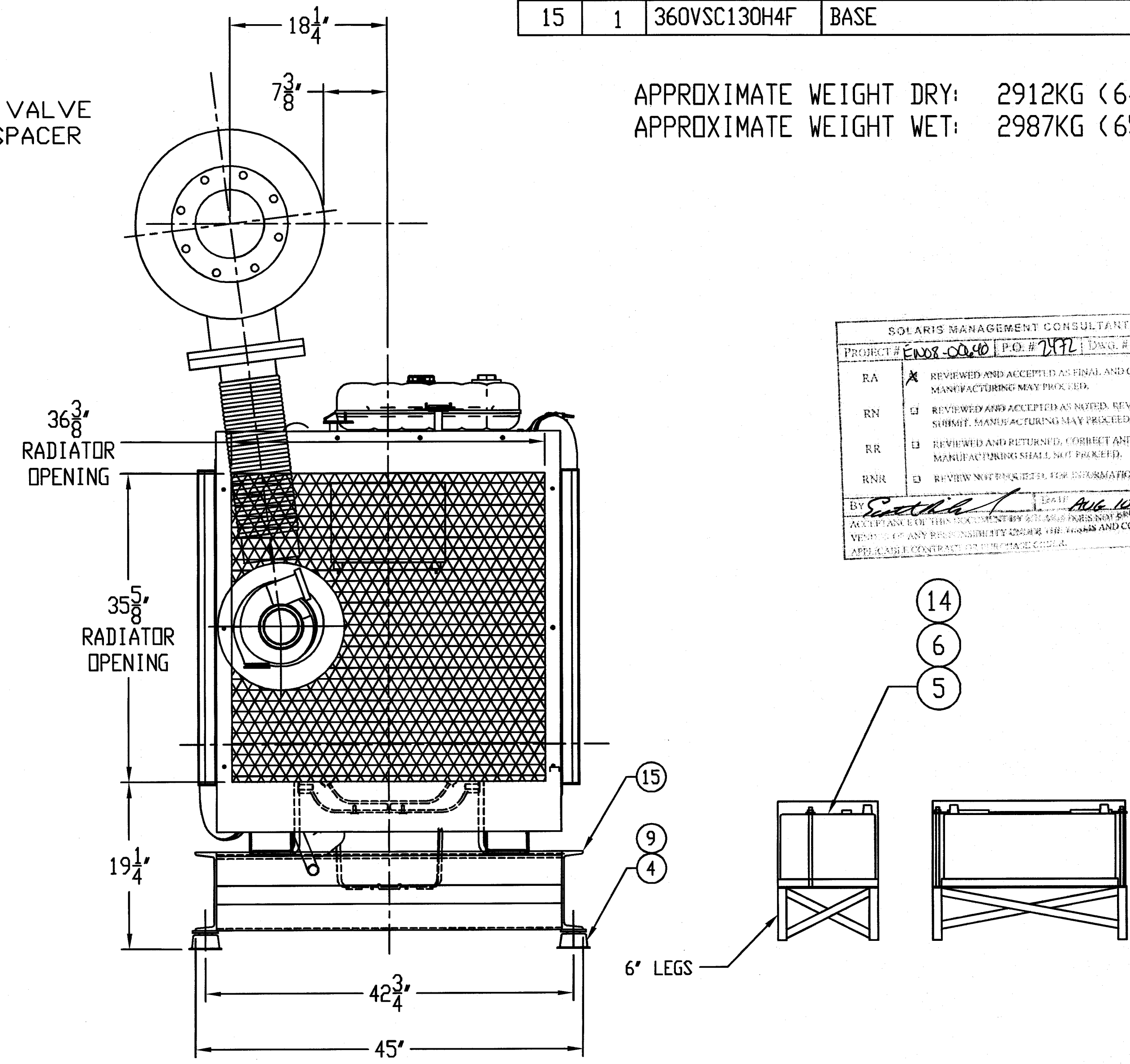


TOP VIEW



RIGHT SIDE VIEW



RADIATOR END VIEW

ITEM	QTY	PART NUMBER	DESCRIPTION
1	1	TAD1241GE	VOLVO ENGINE
2	1	HC434F	STAMFORD ALTERNATOR (W/PMG)
3	1	EGC-VV-M	GENSET CONTROLLER
4	6	RCA-40	ENGINE MOUNTS
5	2	G4D	BATTERY
6	2	BATT RACK 4D	BATTERY RACK
7	1	SM2-8	CRITICAL SILENCER
8	1	A-M1604-28	24' FLEX SECTION
9	6	420. 58. 134	SPACER
10	1	-	CIRCUIT BREAKER 450A 3P
11	1	200548	RAD DISCHARGE DUCT ADAPTER
12	1	SB122108-080	120V BLOCK HEATER 2250W
13	1	RDD-1051-E24	RODA VALVE 3 1/2"
14	2	4DBOX	BATTERY BOX
15	1	360VSC130H4F	BASE

APPROXIMATE WEIGHT DRY: 2912KG (6416LBS)
 APPROXIMATE WEIGHT WET: 2987KG (6581LBS)

SOLARIS MANAGEMENT CONSULTANTS INC.	
PROJECT #	ENC-0046
PO #	7492
DWG #	01
REV	2
RA	REVIEWED AND ACCEPTED AS FINAL AND CERTIFIED. MANUFACTURING MAY PROCEED.
RN	REVIEWED AND ACCEPTED AS NEEDED. REVISE AND RE-SUBMIT. MANUFACTURING MAY PROCEED.
RR	REVIEWED AND RETURNED. CORRECT AND RE-SUBMIT. MANUFACTURING SHALL NOT PROCEED.
RNR	REVIEW NOT REQUIRED. FOR INFORMATION ONLY.
BY	<i>[Signature]</i>
DATE	07/14/09

THIS DRAWING CONTAINS CONFIDENTIAL INFORMATION OF A PROPRIETARY NATURE TO SIMMAX INC. REPRODUCTION, TRANSMISSION OR USE FOR ANY PURPOSE WITHOUT THE EXPRESS WRITTEN CONSENT OF SIMMAX INC. IS STRICTLY PROHIBITED.

FOR APPROVAL (CHECK ONE ONLY)

APPROVED

APPROVED, SEE CHANGES

RE-SUBMIT, SEE CHANGES

NOT APPROVED

SIGNED: _____ DATED: _____

CUSTOMER: ENCANA

09C046

NO.	DESCRIPTION

NOTES:	DRAWN BY: KK	DATE: 07/14/09	
	CHECKED BY:		
REVISIONS			
NO.	DATE	BY	DESCRIPTION
AA	08/05/09	RC	UP BREAKER 8"

SIMSON MAXWELL

TITLE: 300KW GEN SET
 TAD1241GE/HC434F
 3φ, 347/600V, 1800 RPM

SCALE: NTS DRAWING NO: 360VS-H4F-68 09C046 REV: AA SIZE: B

TOLERANCE UNLESS NOTED			
DIMENSIONS	X.X	X.XX	X.XXX
INCH	±1/16"	±1/64"	±1/128"
mm	±1.0	±0.375	±0.125
ANGLE	±0.5		

THIRD ANGLE PROJECTION