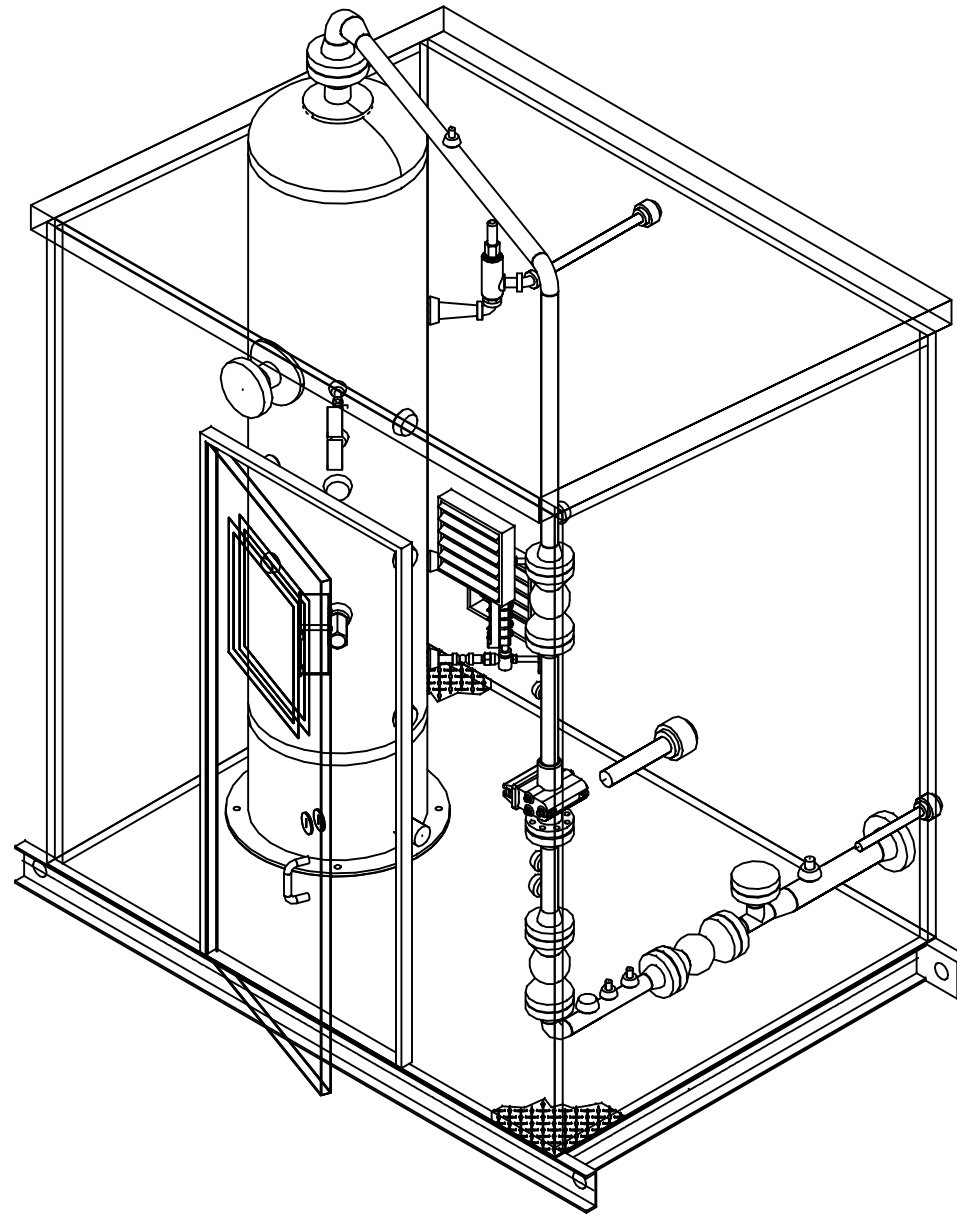


The information contained in this drawing is the confidential property of Platinum Energy Services ULC. No part thereof shall be reproduced or communicated to a third party without written authorization from Platinum Energy Services ULC.



SE ISOMETRIC VIEW

- NOTES:
- 1.) -
 - 2.) DIMENSIONS ARE IN MILLIMETRES.
ELEVATION DATUM = T.O. CHK'D PL.
TAIL DIMENSIONS ARE FROM PLAN DATUM.
DIMENSIONS TO CENTERLINES (UNO)
 - 3.) EQUIPMENT AND STRUCTURES EXTENDING PAST SKID
SHIPPING LIMITS ARE REMOVED FOR SHIPPING.
 - 4.) PIPE SUPPORTS SUBJECT TO CHANGE UPON ASSEMBLY
 - 5.) OVERALL DIMENSIONS: 9'-0"L x 6'-6"W x 11'-9 1/16"H
 - 6.) SHIPPING DIMENSIONS: 9'-0"L x 6'-6"W x 11'-9 1/16"H
 - 7.) SHIPPING WEIGHT: 6,800 lbs (3,084 kg)

REV	DESCRIPTION	BY	DATE	CHK'D	APP'D
0	ISSUED FOR CONSTRUCTION	CL	18-04-04	BX	DG
	REFERENCE DRAWINGS				

ENGINEER'S STAMP

DRAWN BY	CL	18-04-04
CHK'D BY	BX	18-04-04
APP'D BY	DG	18-04-04
CAD REF	30620-GA-01.DWG	SCALE AS SHOWN

CLIENT		STOCK	
TITLE 24"OD x 7'-6" S/S 1440 PSI 3 PH DRESS 2PH SWEET SEPARATOR GENERAL ARRANGEMENT - SE SOMETRIC VIEW			
JOB NO.	DRAWING NO.	REV	
30620	30620-GA-01	0	

