

TAG #	SIZE	DESCRIPTION	ELEVATION	PROJECTION
A	2" 600# RFWN	GAS INLET	6'-9 3/4" FTOS	6" FBE
B	2" 600# RFWN	GAS OUTLET	0'-11 3/4" FTOS	6" FBE
C	1" 3000# UNION	MANUAL DRAIN	0'-6 1/4" FTOS	6" FBE
D	2" 3000# NPT	PSV-100 VENT	7'-4 5/8" FTOS	6" FBE
E	1" 3000# NPT	PSV-200 VENT		6" FBE

NOTES:

1. ELEVATION MEASUREMENTS ARE FROM TOP OF SKID (FTOS).
 - TO GET A BOTTOM OF SKID MEASUREMENT (FBOS)
 ADD 6 3/4" TO THE ELEVATIONS LISTED.

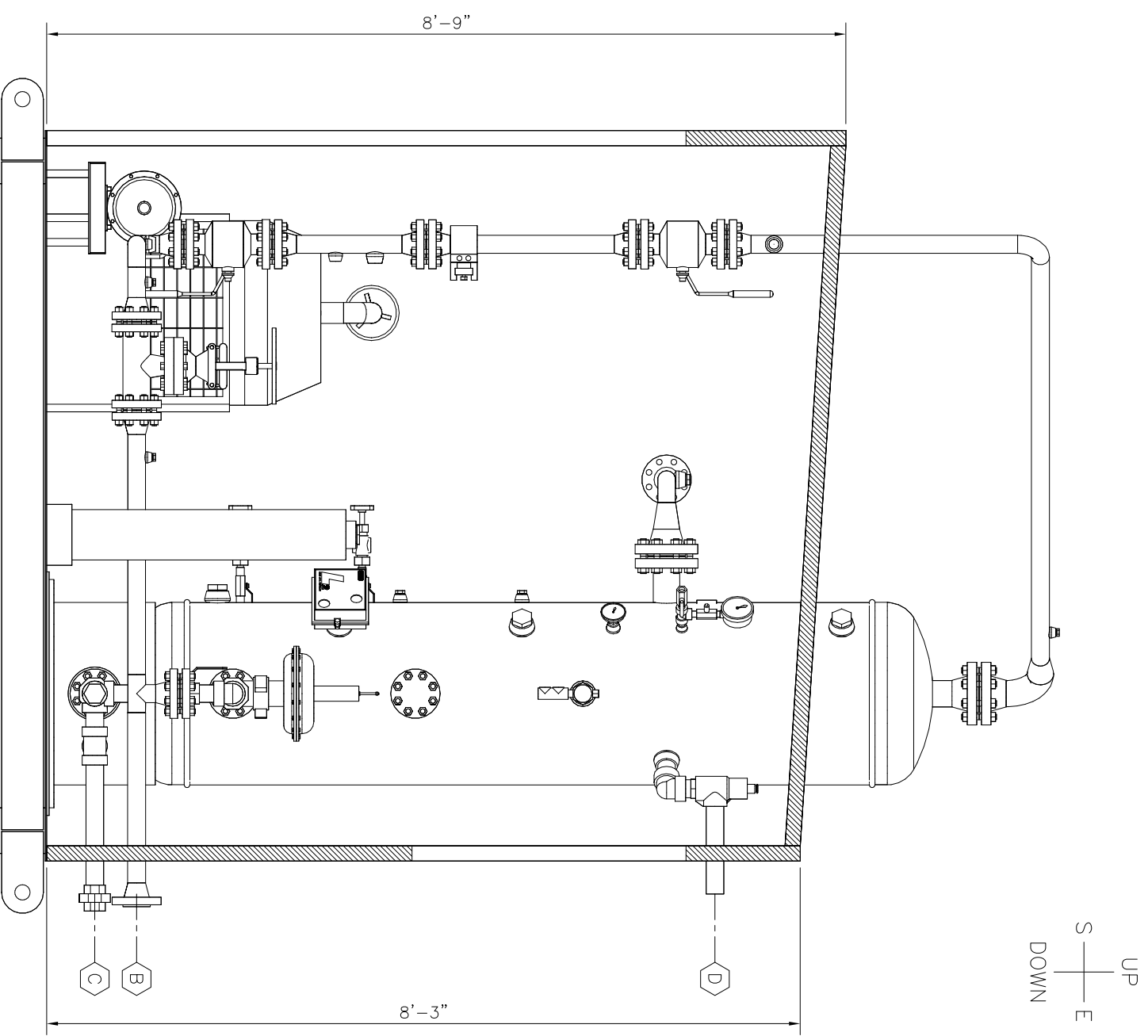
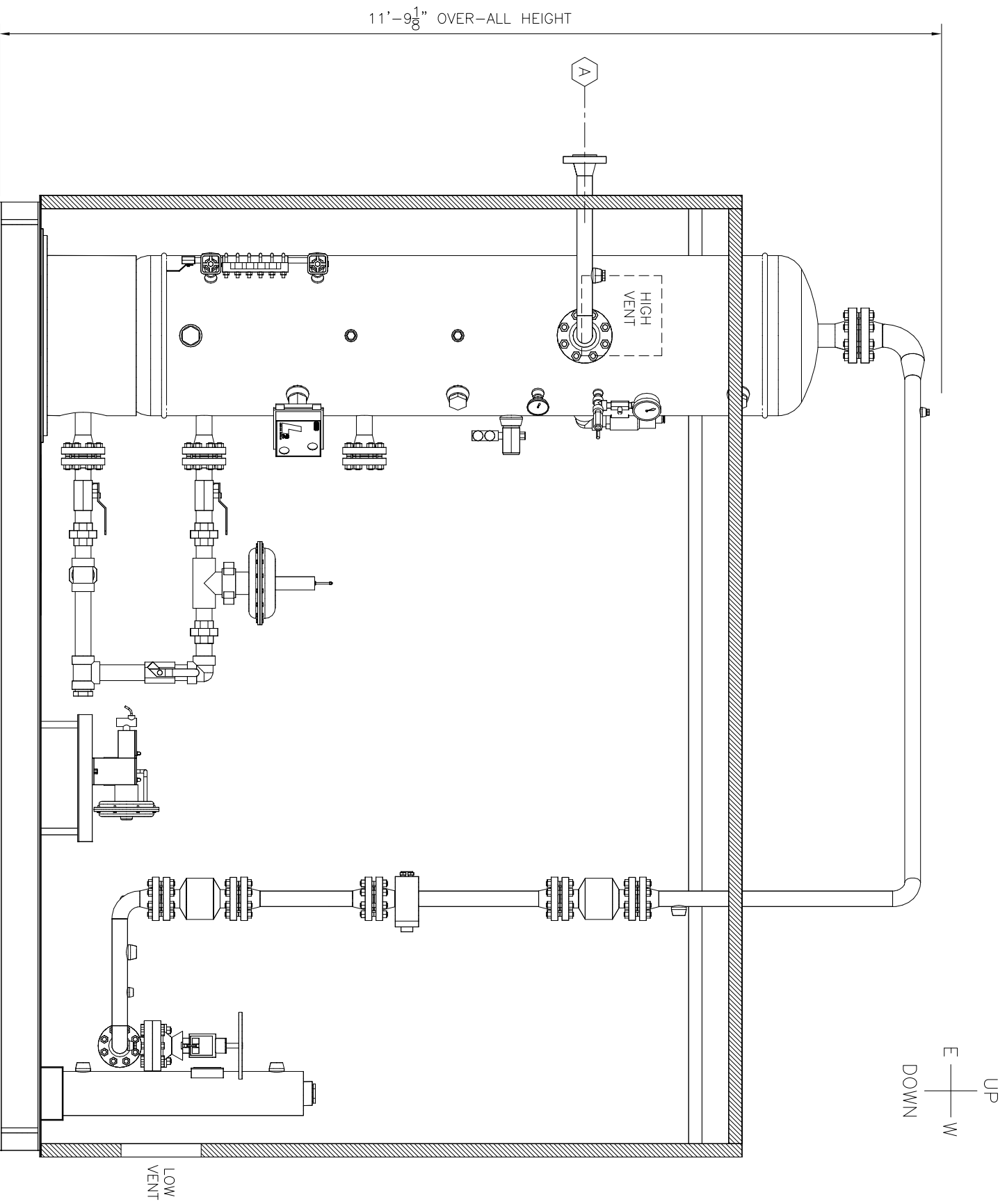
2. PROJECTION MEASUREMENTS ARE FROM BUILDING EDGE. (FBE)

SHIPPING DIMENSIONS:

WIDTH: 9'-3"
 LENGTH: 12'-6"
 HEIGHT: 12'-0"
 PACKAGE WEIGHT: TBA lbs

REV	ISSUED FOR APPROVAL	REVISION	BY	APPR	d/m/y
0	ISSUED FOR CONSTRUCTION		EYC		07/03/14
A	ISSUED FOR APPROVAL		EYC		06/03/14

DATE	06/03/14	CLIENT	PLATINUM ENERGY SERVICES ULC
DESIGNED BY	MEW	LSD:	
DRAWN BY	EYC	TITLE	LAYOUT - TOP VIEW
CHECKED BY		JOB #	EV-14045
APPROVED BY	J.H.	SHEET NO.	1 OF 3
SCALE	1:20	DRAWING NO.	EV-14045-L-001
		REV. NO.	0



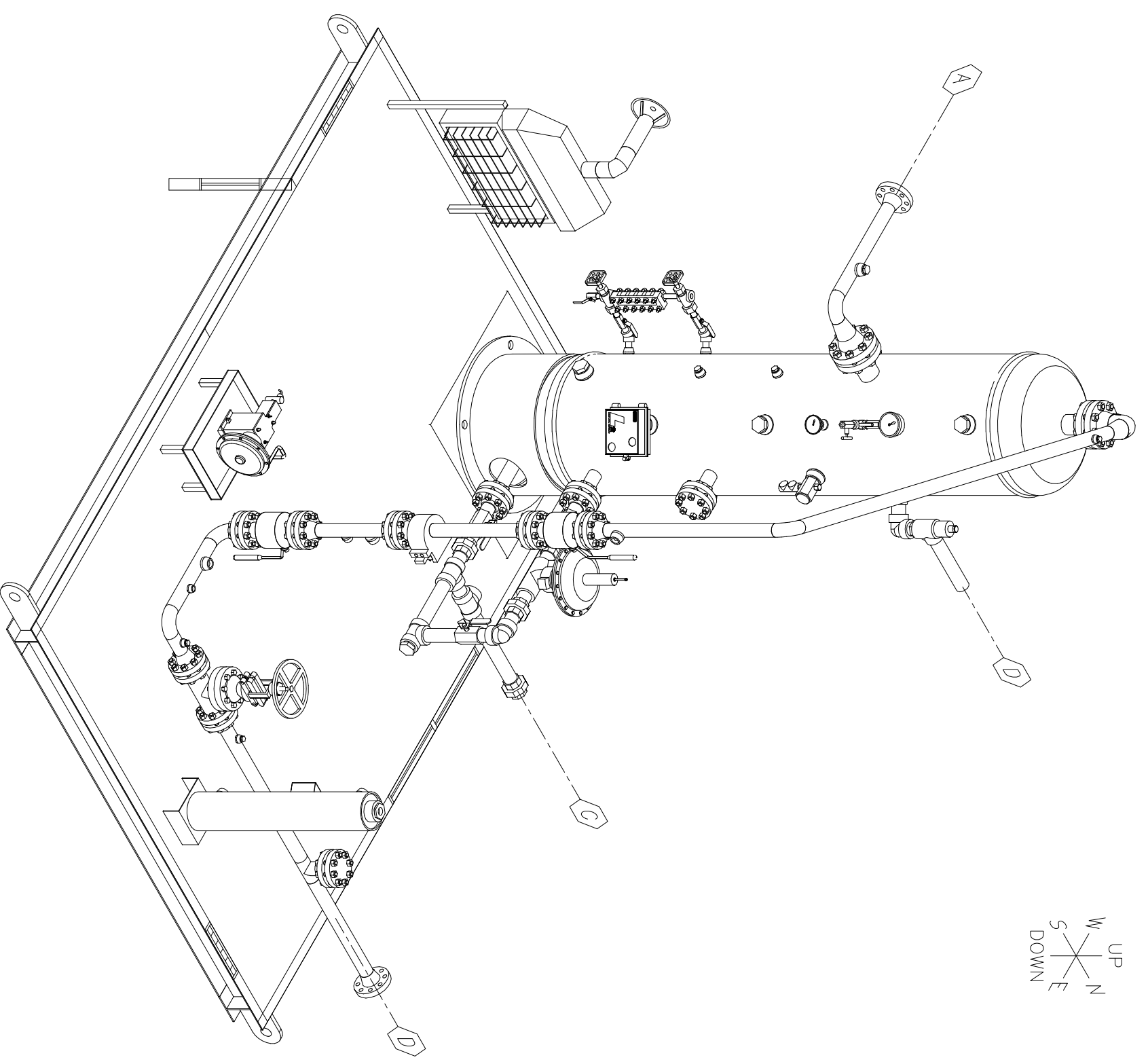
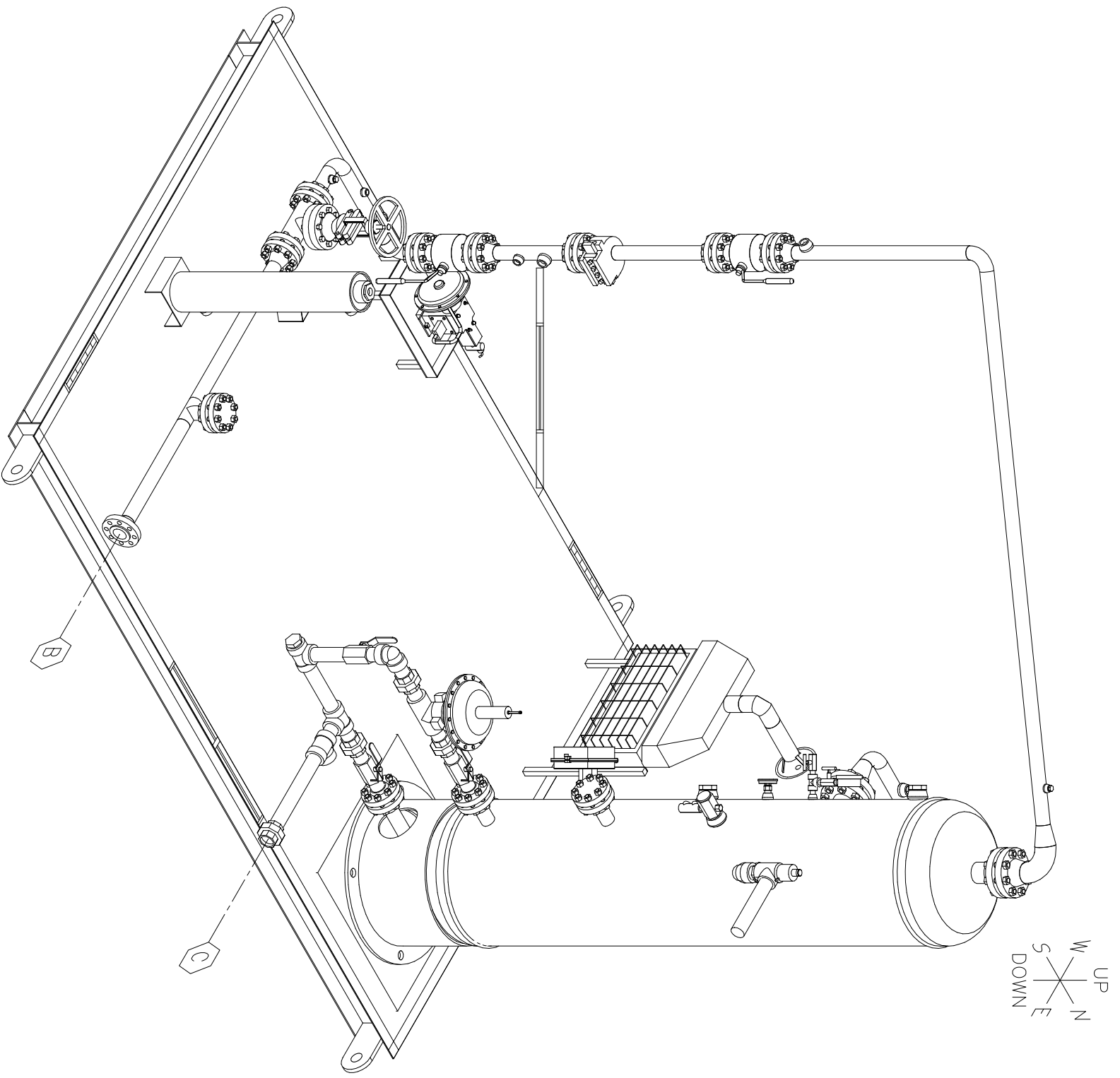
TAG #	SIZE	DESCRIPTION	ELEVATION	PROJECTION
A	2" 600# RFWN	GAS INLET	6'-9 3/4" FTOS	6" FBE
B	2" 600# RFWN	GAS OUTLET	0'-11 3/4" FTOS	6" FBE
C	1" 3000# UNION	MANUAL DRAIN	0'-6 1/4" FTOS	6" FBE
D	2" 3000# NPT	PSV-100 VENT	7'-4 5/8" FTOS	6" FBE
E	1" 3000# NPT	PSV-200 VENT		6" FBE

NOTES:
 1. ELEVATION MEASUREMENTS ARE FROM TOP OF SKID (FTOS).
 - TO GET A BOTTOM OF SKID MEASUREMENT (FBOS)
 ADD 6 3/4" TO THE ELEVATIONS LISTED.
 2. PROJECTION MEASUREMENTS ARE FROM BUILDING EDGE. (FBE)

SHIPPING DIMENSIONS:
 WIDTH: 9'-3"
 LENGTH: 12'-6"
 HEIGHT: 12'-0"
 PACKAGE WEIGHT: TBA lbs

REV	ISSUED FOR APPROVAL	REVISION
0	ISSUED FOR CONSTRUCTION	
A	ISSUED FOR APPROVAL	

DATE	06/03/14	CLIENT	PLATINUM ENERGY SERVICES ULC
DESIGNED BY	MEW	LSD:	
DRAWN BY	EYC	TITLE	LAYOUT - ELEVATION VIEW
CHECKED BY	EYC	JOB #	24" x 7'-6" S/S 1440psi - 2 PHASE VERT. AB SOUR SERVICE SEPARATOR PACKAGE
APPROVED BY	J.H.	REF. NO.	LAYOUT
SCALE	1:20	DRAWING NO.	EV-14045-L-002
		SHEET NO.	2 OF 3
		DRAWING	ELEVATION VIEW
		REV. NO.	0



TAG #	SIZE	DESCRIPTION	ELEVATION	PROJECTION
A	2" 600# RFWN	GAS INLET	6"-9 3/4" FTOS	6" FBE
B	2" 600# RFWN	GAS OUTLET	0'-11 3/4" FTOS	6" FBE
C	1" 3000# UNION	MANUAL DRAIN	0'-6 1/4" FTOS	6" FBE
D	2" 3000# NPT	PSV-100 VENT	7'-4 5/8" FTOS	6" FBE
E	1" 3000# NPT	PSV-200 VENT		6" FBE

NOTES:
 1. ELEVATION MEASUREMENTS ARE FROM TOP OF SKID (FTOS).
 - TO GET A BOTTOM OF SKID MEASUREMENT (FBOS)
 ADD 6 3/4" TO THE ELEVATIONS LISTED.
 2. PROJECTION MEASUREMENTS ARE FROM BUILDING EDGE. (FBE)

SHIPPING DIMENSIONS:
 WIDTH: 9'-3"
 LENGTH: 12'-6"
 HEIGHT: 12'-0"
 PACKAGE WEIGHT: TBA lbs

REV	ISSUED FOR APPROVAL	BY	APPR	d/m/y
0	ISSUED FOR CONSTRUCTION	EYC		07/03/14
A	ISSUED FOR APPROVAL	EYC		06/03/14

DATE	06/03/14	CLIENT	PLATINUM ENERGY SERVICES ULC
DESIGNED BY	MEW	LSD:	
DRAWN BY	EYC	TITLE	LAYOUT - SE ISOMETRIC VIEW
CHECKED BY			24"x7'-6" S/S 1440psi - 2 PHASE VERT. AB SOUR SERVICE SEPARATOR PACKAGE
APPROVED BY	J.H.	JOB #	EV-14045
SCALE	1:20	REF. NO.	LAYOUT
		DRAWING NO.	EV-14045-L-003
		SHEET NO.	3 OF 3
		REV. NO.	0