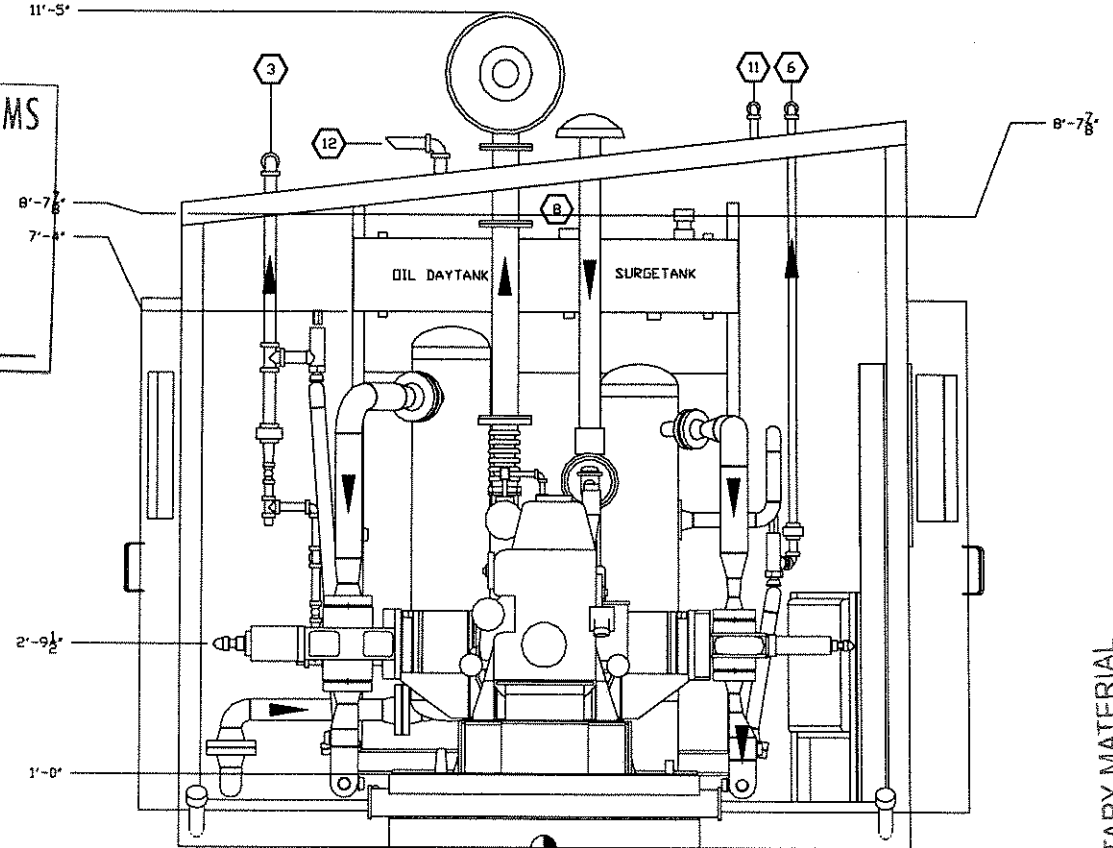
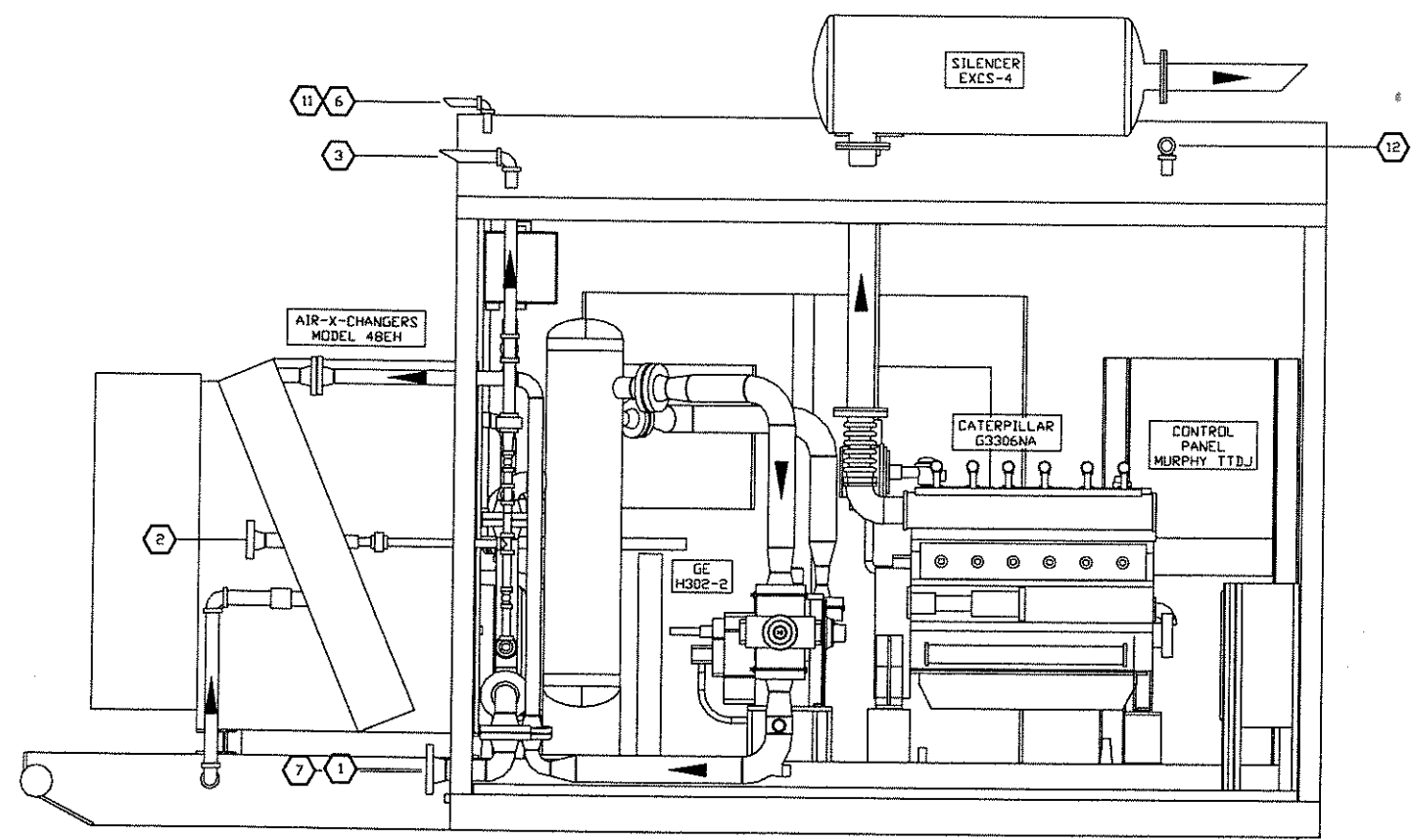


LEFTSIDE ELEVATION

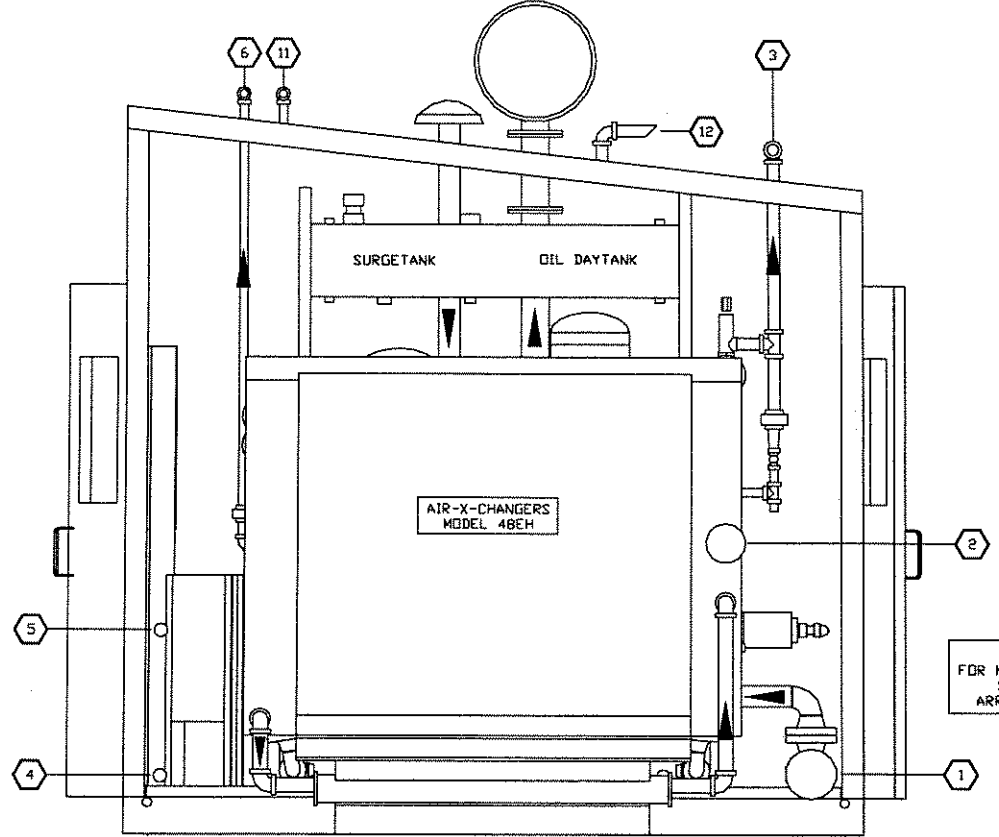
TOROMONT ENERGY SYSTEMS
 JUN 08 2006
AS BUILT
 PER _____



ENGINE END VIEW



RIGHTSIDE ELEVATION



COOLER END VIEW

NOTE:
 FOR NOZZLE SCHEDULE,
 SEE GENERAL
 ARRANGEMENT DWG.

PROPRIETARY MATERIAL
 NOT TO BE RE-PRODUCED OR DISTRIBUTED
 WITHOUT THE PRIOR WRITTEN CONSENT OF
 TOROMONT ENERGY SYSTEMS INC.

REV.	DESCRIPTION	DATE	BY	APPR.	DATE
1	AS BUILT	03/30/06	TN		
0	ISSUED FOR CONSTRUCTION	04/25/05	GP		

ENGINEER STAMP

TOROMONT ENERGY SYSTEMS
 DRAWN BY: GPAHL
 DATE: 04/25/05
 CHECK BY: DG
 SCALE: 3/4"=1'-0"
 APPR BY: [Signature]
 VLS No: 31296
 CUST. PO No: _____

TITLE: ELEVATIONS	FOR: TOROMONT ENERGY SYSTEMS INC. STOCK 145 HP GAS COMPRESSOR
DWG. No: 31296-ELEVATIONS	SHEET No: 1 OF 1