

TABLE OF CONTENTS – JOB # 6282

DWG. NO.	DESCRIPTION OR NAME	REV.	DATE:
RS-6282-01	GENERAL NOTES	0	JAN. 23, 14
RS-6282-02	GENERAL LAYOUT	0	JAN. 23, 14
RS-6282-03	SUPERSTRUCTURE LAYOUT	0	JAN. 23, 14
RS-6282-04	GIRDER I LAYOUT	0	JAN. 23, 14
RS-6282-05	GIRDER II LAYOUT	0	JAN. 23, 14
RS-6282-06	FIELD SPLICE DETAILS	0	JAN. 23, 14
RS-6282-07	GIRDER AND LATERAL BRACE DETAILS	0	JAN. 23, 14
RS-6282-08	DIAPHRAGM DETAILS	0	JAN. 23, 14
RS-6282-09	DECK CLIP PLATE & BEARING SANDWICH DETAILS	0	JAN. 23, 14
RS-6282-10	END DECK PANEL STEEL FRAME DETAILS	0	JAN. 23, 14
RS-6282-11	INTERMEDIATE DECK PANEL STEEL FRAME DETAILS	0	JAN. 23, 14
RS-6282-12	END TIMBER DECK PANEL ASSEMBLY	0	JAN. 23, 14
RS-6282-13	INTERMEDIATE TIMBER DECK PANEL ASSEMBLY	0	JAN. 23, 14

NORTHSTAR ENERGY SERVICES INC.

30.480 METER L-100 OILFIELD PORTABLE



Web Site: <http://www.rapidspan.com>

Tel: 1-800-661-2047

NOTICE: THIS DRAWING HAS NOT BEEN PUBLISHED AND IS THE SOLE PROPERTY OF RAPID-SPAN STRUCTURES LTD AND IS LENT TO THE BORROWER FOR HIS CONFIDENTIAL USE ONLY; AND IN CONSIDERATION OF THE LOAN OF THIS DRAWING, THE BORROWER PROMISES AND AGREES TO RETURN IT UPON REQUEST AND AGREES THAT IT SHALL NOT BE REPRODUCED, COPIED, LENT OR OTHERWISE DISPOSED OF DIRECTLY OR INDIRECTLY, NOR USED FOR ANY PURPOSE OTHER THAN THAT FOR WHICH IT WAS FURNISHED.

DRAWING NUMBER:

RS-6282-00

REFERENCE DRAWINGS:

- ASSOCIATED ENGINEERING DRAWING NUMBERS 2784-01-3-1010 TO 1014.
- ASSOCIATED ENGINEERING DRAWING NUMBERS REF-03-001 AND REF-03-004.
- ASSOCIATED ENGINEERING DRAWING NUMBERS STD-E-050-10

STEEL SPECIFICATIONS:

- ALL STEEL PLATE SHALL COMPLY TO CSA-G40.21-13 GRADE 350AT CAT 3.
- ALL STEEL ANGLES SHALL COMPLY TO GRADE 350A.
- ALL WELDING IN ACCORDANCE WITH C.S.A. W-59. WELD METAL SHALL MEET THE CVN TOUGHNESS REQUIREMENTS OF TABLE 10.14 OF CAN/CSA-S6-06 FOR A MINIMUM SERVICE TEMPERATURE OF < -40° C.
- FABRICATE BOTTOM FLANGES AND GIRDER WEBS AS FRACTURE CRITICAL MEMBERS IN ACCORDANCE WITH CLAUSE 10.23 OF CAN/CSA-S6-06.

GUIDERAIL SPECIFICATIONS:

- HSS SHALL CONFORM TO ASTM A500 GRADE C. OR CSA G40.21 GRADE 350W. PAINTED.
- ANGLES AND PLATE SHALL CONFORM TO CSA G40.21 GRADE 350W. PAINTED.
- SAND BLAST RAILS AND FLOOR BEAMS TO SSPC SP-6 AFTER FABRICATION AND APPLY 2.5 TO 3.5 MILS DFT ENAMEL PAINT. COLOUR: SAFETY YELLOW

TIMBER SPECIFICATIONS:

- LUMBER GRADES AS PER CANADIAN LUMBER STANDARDS ADMINISTRATIVE BOARD (C.L.S.A.B.) REQUIREMENTS.
- ALL UNTREATED TIMBER TO BE ROUGH SAWN # 2 OR BETTER SPF.
- ALL TREATED TIMBER TO BE CCA ROUGH SAWN # 2 OR BETTER SPF.


HARDWARE SPECIFICATIONS:

- FASTENERS SHALL CONFORM TO ASTM A307 GALVANIZED IN ACCORDANCE WITH CSA G164.

NOTES:

- UNLESS OTHERWISE SPECIFIED ALL DIMENSIONS ARE IN mm.
- UNLESS OTHERWISE SPECIFIED ALL HOLES TO BE 24mm DIA.

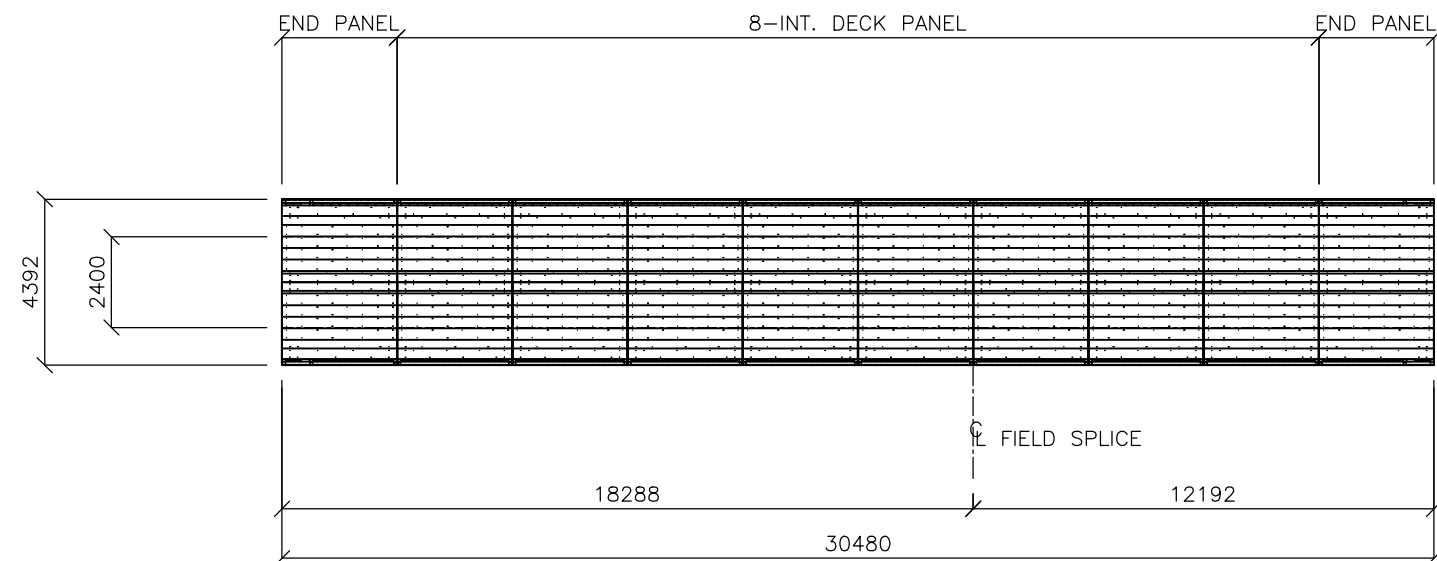
0	JAN. 23, 14	ISSUED FOR CONSTRUCTION	RR
A	MAR. 11, 13	PRELIMINARY	RR
REV	DATE	DESCRIPTION	BY



Web Site: <http://www.rapidspan.com> Tel: 1-800-661-2047

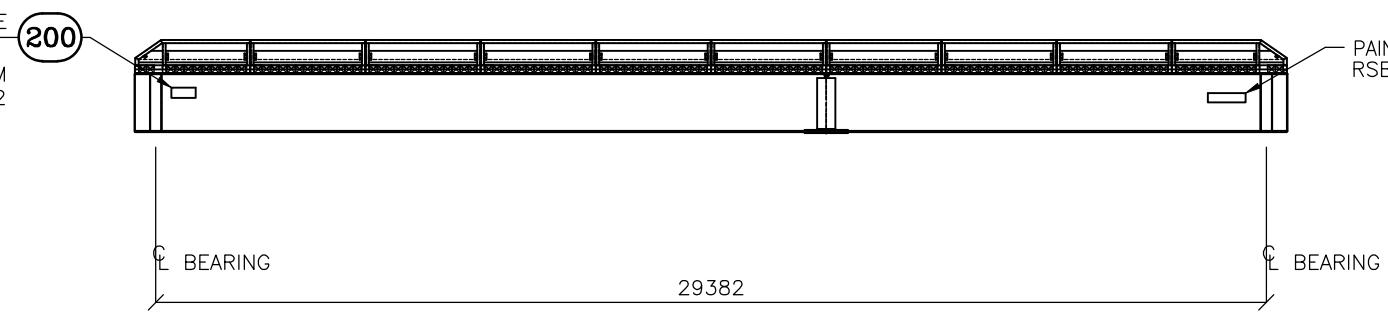
NOTICE: THIS DRAWING HAS NOT BEEN PUBLISHED AND IS THE SOLE PROPERTY OF RAPID-SPAN STRUCTURES LTD AND IS LENT TO THE BORROWER FOR HIS CONFIDENTIAL USE ONLY; AND IN CONSIDERATION OF THE LOAN OF THIS DRAWING, THE BORROWER PROMISES AND AGREES TO RETURN IT UPON REQUEST AND AGREES THAT IT SHALL NOT BE REPRODUCED, COPIED, LENT OR OTHERWISE DISPOSED OF DIRECTLY OR INDIRECTLY, NOR USED FOR ANY PURPOSE OTHER THAN THAT FOR WHICH IT WAS FURNISHED.

PROJECT:			
NORTHSTAR ENERGY SERVICES INC.			
TITLE:			
GENERAL NOTES			
ENG BY: AE	DATE: JAN. 2012	LEAD: RSB	JOB NO.: 6282
CAD BY: RON RIEMENS	DATE: MAR. 11, 13	SCALE:	SHEET 1 OF 13
APP BY: STEVE BUBURUZ	DATE: SEPT. 25, 13	DRAWING NUMBER:	REV
ISSUED BY: RON RIEMENS	DATE: JAN. 23, 14	RS-6282-01	△



KEY PLAN
SCALE 1:200

200 x 215 IDENTIFICATION PLAQUE
NORTHSTAR ENERGY
L100 30.480M
JAN. 2014 WO 6282



ELEVATION
SCALE 1:200

BILL OF MATERIALS - JOB # 6282

ITEM	QTY	DESCRIPTION OR NAME	SIZE	WT. LBS. TOTAL
200	2	IDENTIFICATION PLAQUE	200 x 250	1

REV	DATE	DESCRIPTION	BY
0	JAN. 23, 14	ISSUED FOR CONSTRUCTION	RR
A	MAR. 11, 13	PRELIMINARY	RR



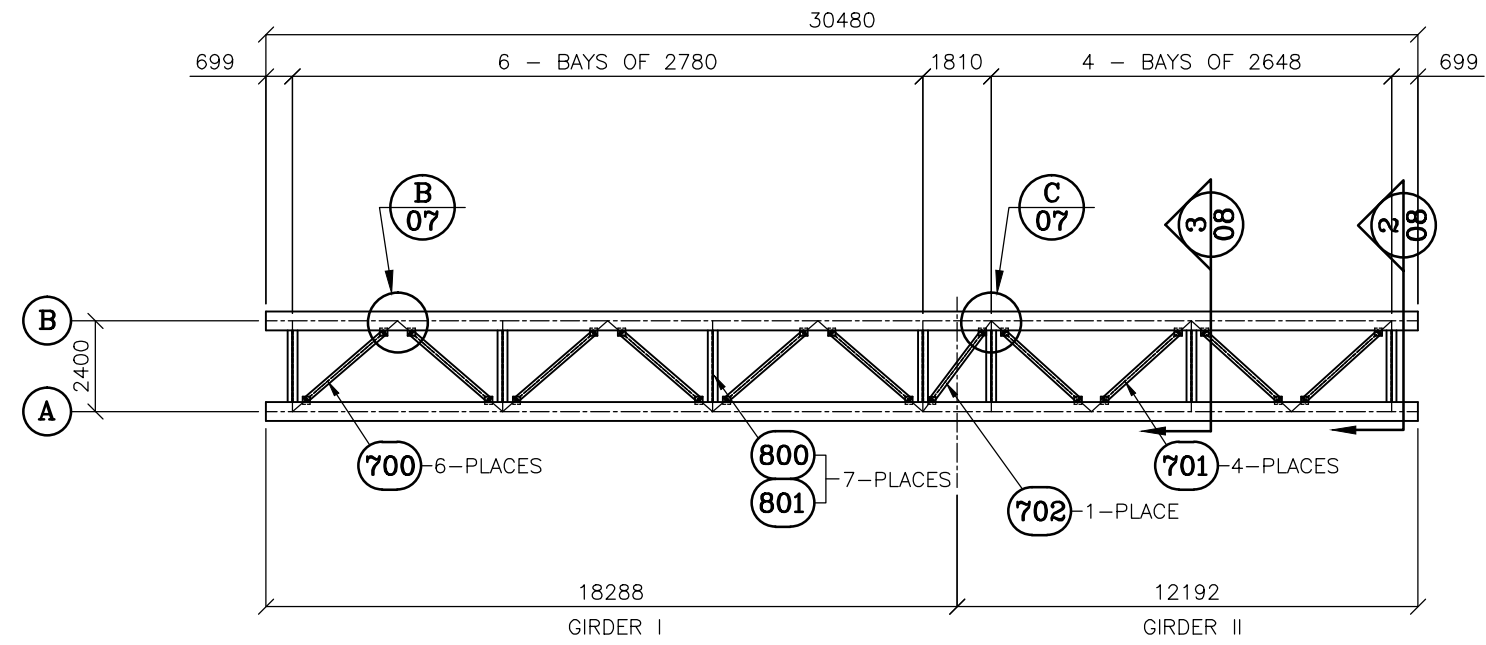
Web Site: <http://www.rapidspan.com> Tel: 1-800-661-2047

NOTICE: THIS DRAWING HAS NOT BEEN PUBLISHED AND IS THE SOLE PROPERTY OF RAPID-SPAN STRUCTURES LTD AND IS LENT TO THE BORROWER FOR HIS CONFIDENTIAL USE ONLY; AND IN CONSIDERATION OF THE LOAN OF THIS DRAWING, THE BORROWER PROMISES AND AGREES TO RETURN IT UPON REQUEST AND AGREES THAT IT SHALL NOT BE REPRODUCED, COPIED, LENT OR OTHERWISE DISPOSED OF DIRECTLY OR INDIRECTLY, NOR USED FOR ANY PURPOSE OTHER THAN THAT FOR WHICH IT WAS FURNISHED.

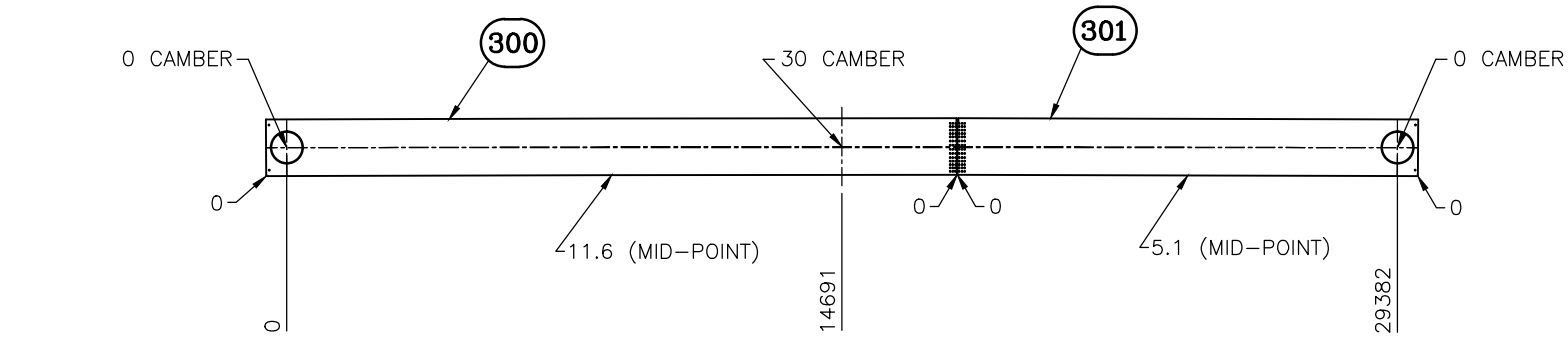
PROJECT:
NORTHSTAR ENERGY SERVICES INC.

TITLE:
GENERAL LAYOUT

ENG BY: AE	DATE: JAN. 2012	LEAD: RSB	JOB NO.: 6282
CAD BY: RON RIEMENS	DATE: MAR. 11, 13	SCALE: AS SHOWN	SHEET 2 OF 13
APP BY: STEVE BUBURUZ	DATE: SEPT. 25, 13	DRAWING NUMBER:	REV
ISSUED BY: RON RIEMENS	DATE: JAN. 23, 14	RS-6282-02	



FRAMING PLAN
SCALE 1:200



GIRDER LINE	ACTUAL GIRDER CAMBER MEASUREMENTS
A	
B	

CAMBER DIAGRAM
SCALE 1:200

BILL OF MATERIALS - JOB # 6282

ITEM	QTY	DESCRIPTION OR NAME	SIZE	WT. LBS. TOTAL
300	2	CAMBERED WEB PLATE	12.7 x 1500 x 18288	12047
301	2	CAMBERED WEB PLATE	12.7 x 1500 x 12192	8031

REV	DATE	DESCRIPTION	BY
0	JAN. 23, 14	ISSUED FOR CONSTRUCTION	RR
A	MAR. 11, 13	PRELIMINARY	RR



Web Site: <http://www.rapidspan.com> Tel: 1-800-661-2047

NOTICE: THIS DRAWING HAS NOT BEEN PUBLISHED AND IS THE SOLE PROPERTY OF RAPID-SPAN STRUCTURES LTD AND IS LENT TO THE BORROWER FOR HIS CONFIDENTIAL USE ONLY; AND IN CONSIDERATION OF THE LOAN OF THIS DRAWING, THE BORROWER PROMISES AND AGREES TO RETURN IT UPON REQUEST AND AGREES THAT IT SHALL NOT BE REPRODUCED, COPIED, LENT OR OTHERWISE DISPOSED OF DIRECTLY OR INDIRECTLY, NOR USED FOR ANY PURPOSE OTHER THAN THAT FOR WHICH IT WAS FURNISHED.

PROJECT:
NORTHSTAR ENERGY SERVICES INC.

TITLE:
SUPERSTRUCTURE LAYOUT

ENG BY: AE	DATE: JAN. 2012	LEAD: RSB	JOB NO.: 6282
CAD BY: RON RIEMENS	DATE: MAR. 11, 13	SCALE: AS SHOWN	SHEET 3 OF 13
APP BY: STEVE BUBURUZ	DATE: SEPT. 25, 13	DRAWING NUMBER:	REV
ISSUED BY: RON RIEMENS	DATE: JAN. 23, 14	RS-6282-03	

BILL OF MATERIALS - JOB # 6282

ITEM	QTY	DESCRIPTION OR NAME	SIZE	WT. LBS. TOTAL
400	2	TOP FLANGE PLATE	31.8 x 500 x 18266	10027
401	2	BOTTOM FLANGE PLATE	31.8 x 500 x 18279	10034

ESTIMATED WEIGHTS:

GIRDER IA = 16,698 LBS.
 GIRDER IB = 16,691 LBS.
 ASSEMBLED SECTION I = 34,889 LBS.

REV	DATE	DESCRIPTION	BY
0	JAN. 23, 14	ISSUED FOR CONSTRUCTION	RR
A	MAR. 11, 13	PRELIMINARY	RR



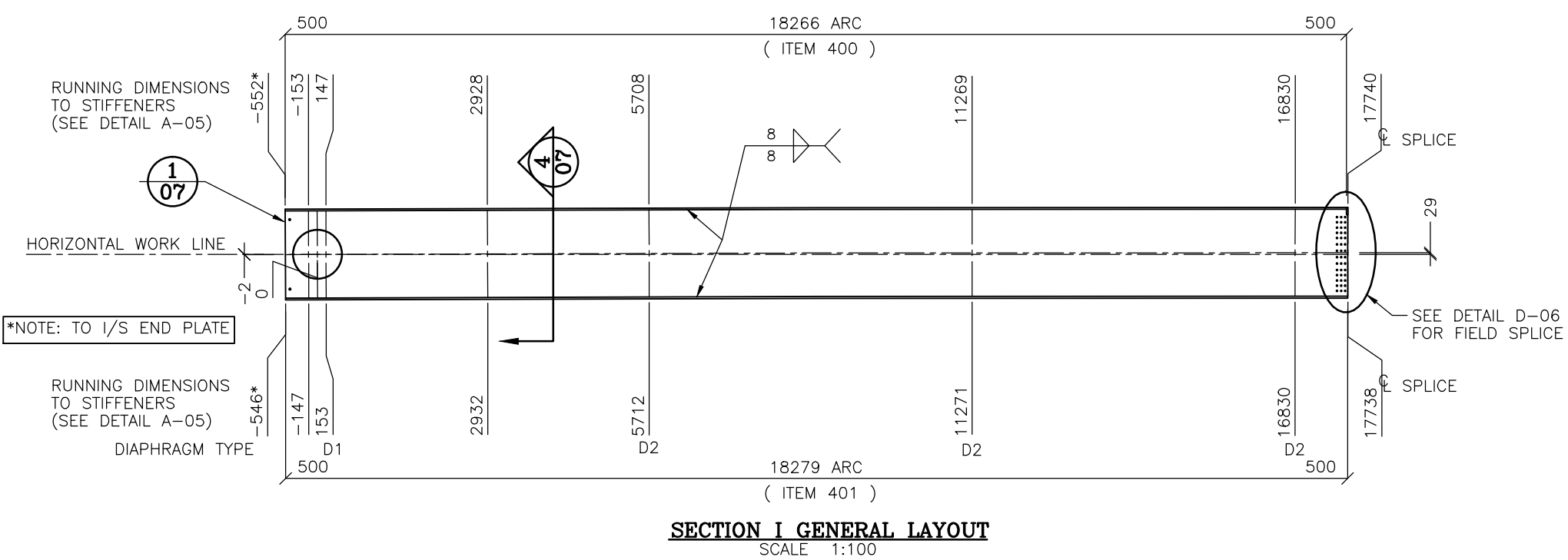
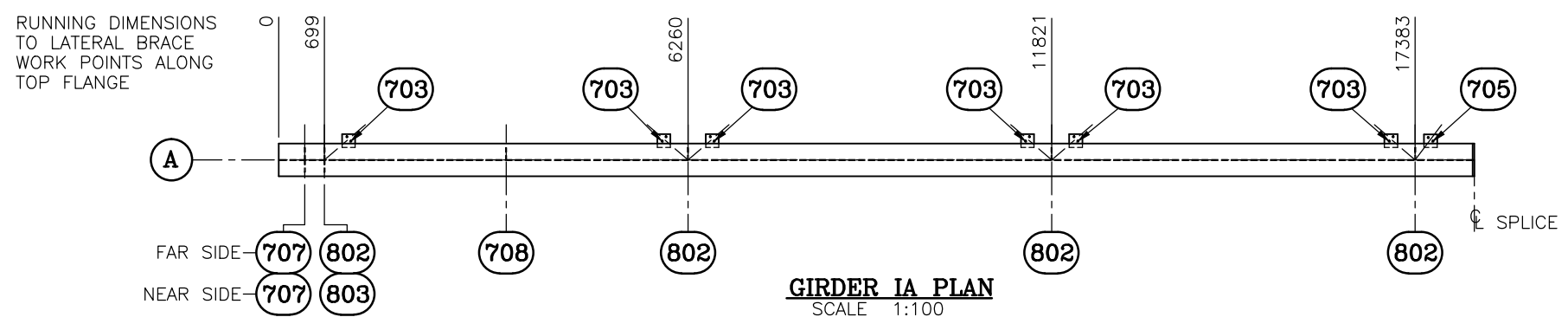
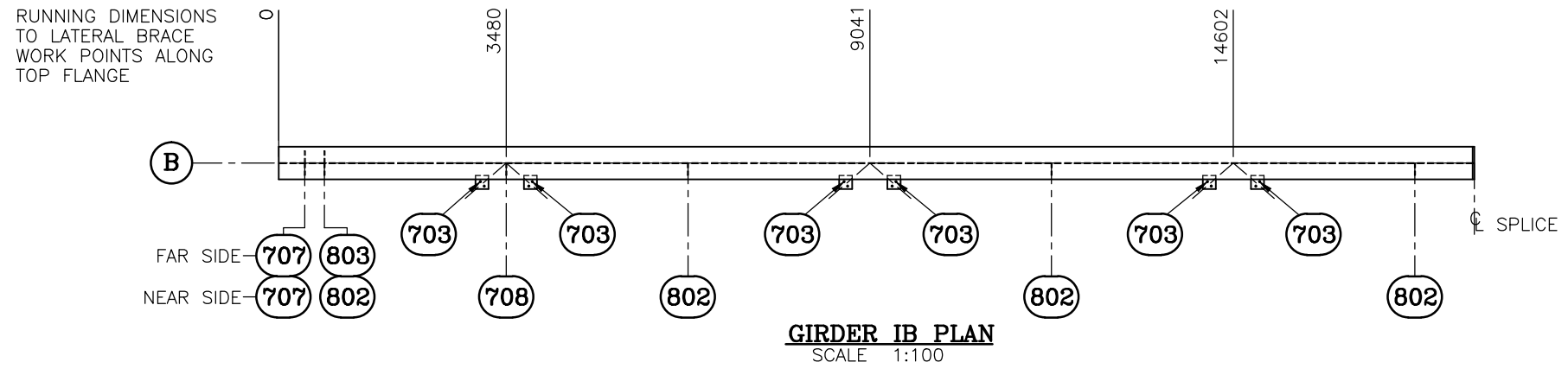
Web Site: <http://www.rapidspan.com> Tel: 1-800-661-2047

NOTICE: THIS DRAWING HAS NOT BEEN PUBLISHED AND IS THE SOLE PROPERTY OF RAPID-SPAN STRUCTURES LTD AND IS LENT TO THE BORROWER FOR HIS CONFIDENTIAL USE ONLY; AND IN CONSIDERATION OF THE LOAN OF THIS DRAWING, THE BORROWER PROMISES AND AGREES TO RETURN IT UPON REQUEST AND AGREES THAT IT SHALL NOT BE REPRODUCED, COPIED, LENT OR OTHERWISE DISPOSED OF DIRECTLY OR INDIRECTLY, NOR USED FOR ANY PURPOSE OTHER THAN THAT FOR WHICH IT WAS FURNISHED.

PROJECT:
NORTHSTAR ENERGY SERVICES INC.

TITLE:
GIRDER I LAYOUT

ENG BY: AE	DATE: JAN. 2012	LEAD: RSB	JOB NO.: 6282
CAD BY: RON RIEMENS	DATE: MAR. 11, 13	SCALE: AS SHOWN	SHEET 4 OF 13
APP BY: STEVE BUBURUZ	DATE: SEPT. 25, 13	DRAWING NUMBER:	REV
ISSUED BY: RON RIEMENS	DATE: JAN. 23, 14	RS-6282-04	




BILL OF MATERIALS - JOB # 6282

ITEM	QTY	DESCRIPTION OR NAME	SIZE	WT. LBS. TOTAL
500	2	TOP FLANGE PLATE	31.75 x 500 x 12169	6680
501	2	BOTTOM FLANGE PLATE	31.75 x 500 x 12184	6688

ESTIMATED WEIGHTS:
 GIRDER IIA C/W FIELD SPLICE PLATES = 11,877 LBS.
 GIRDER IIB C/W FIELD SPLICE PLATES = 11,885 LBS.
 ASSEMBLED SECTION II C/W FIELD SPLICE PLATES = 24,851 LBS.

REV	DATE	DESCRIPTION	BY
0	JAN. 23, 14	ISSUED FOR CONSTRUCTION	RR
A	MAR. 11, 13	PRELIMINARY	RR



Web Site: <http://www.rapidspan.com> Tel: 1-800-661-2047

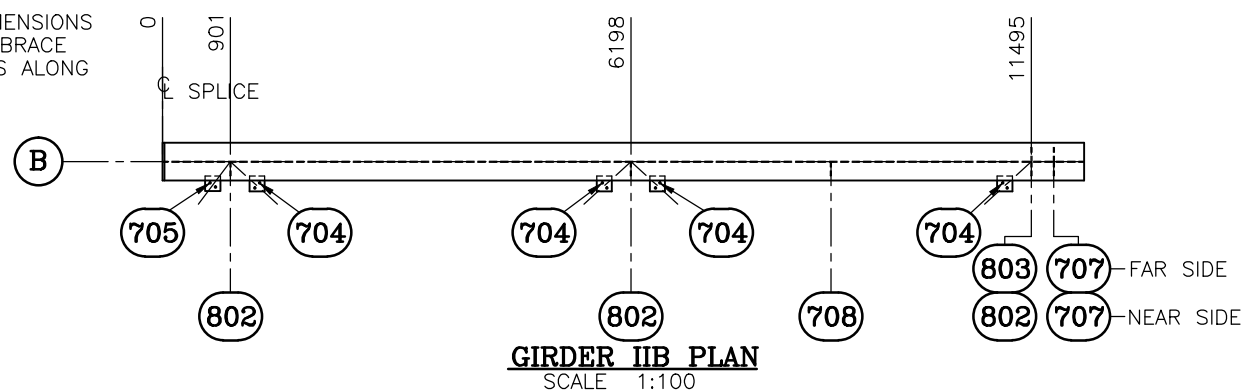
NOTICE: THIS DRAWING HAS NOT BEEN PUBLISHED AND IS THE SOLE PROPERTY OF RAPID-SPAN STRUCTURES LTD AND IS LENT TO THE BORROWER FOR HIS CONFIDENTIAL USE ONLY; AND IN CONSIDERATION OF THE LOAN OF THIS DRAWING, THE BORROWER PROMISES AND AGREES TO RETURN IT UPON REQUEST AND AGREES THAT IT SHALL NOT BE REPRODUCED, COPIED, LENT OR OTHERWISE DISPOSED OF DIRECTLY OR INDIRECTLY, NOR USED FOR ANY PURPOSE OTHER THAN THAT FOR WHICH IT WAS FURNISHED.

PROJECT:
NORTHSTAR ENERGY SERVICES INC.

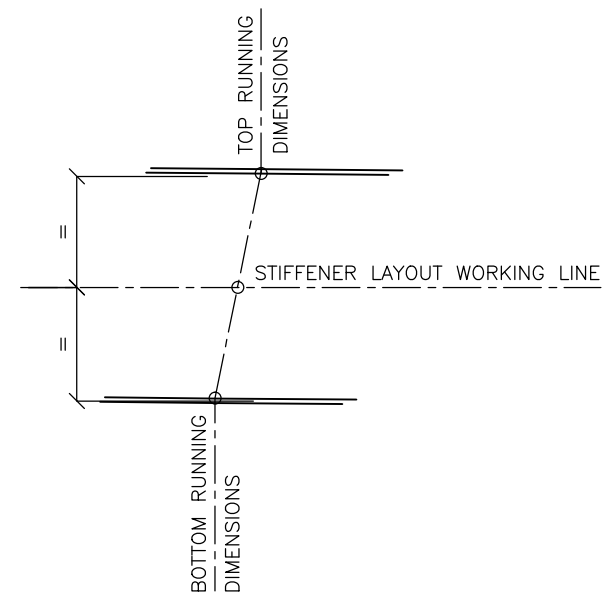
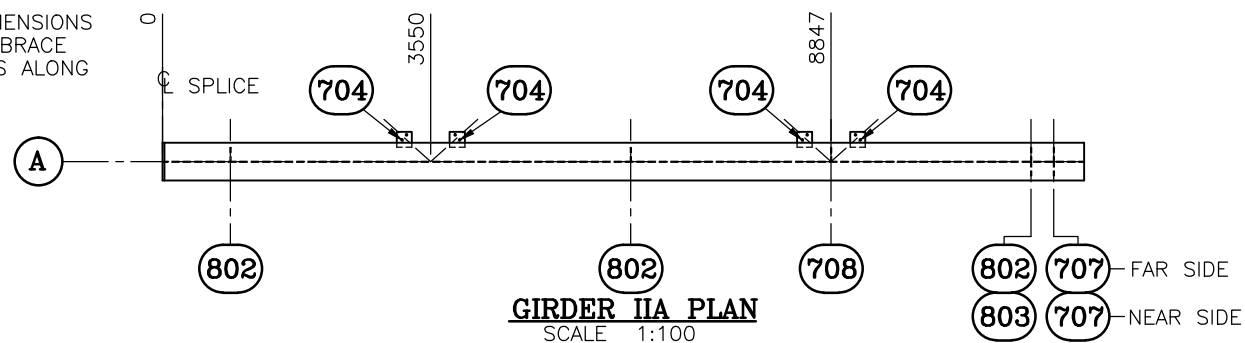
TITLE:
GIRDER II LAYOUT

ENG BY: AE	DATE: JAN. 2012	LEAD: RSB	JOB NO.: 6282
CAD BY: RON RIEMENS	DATE: MAR. 11, 13	SCALE: AS SHOWN	SHEET 5 OF 13
APP BY: STEVE BUBURUZ	DATE: SEPT. 25, 13	DRAWING NUMBER:	REV
ISSUED BY: RON RIEMENS	DATE: JAN. 23, 14	RS-6282-05	△

RUNNING DIMENSIONS TO LATERAL BRACE WORK POINTS ALONG TOP FLANGE

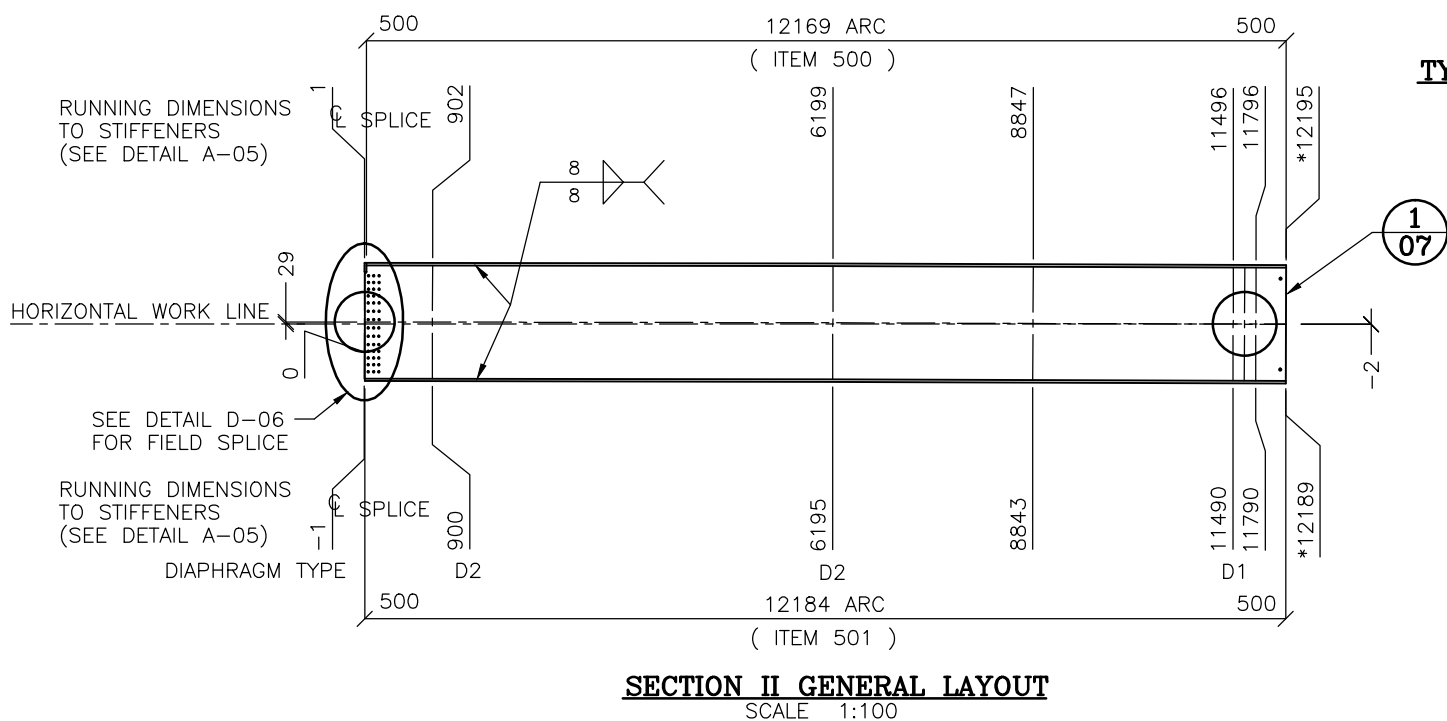


RUNNING DIMENSIONS TO LATERAL BRACE WORK POINTS ALONG TOP FLANGE

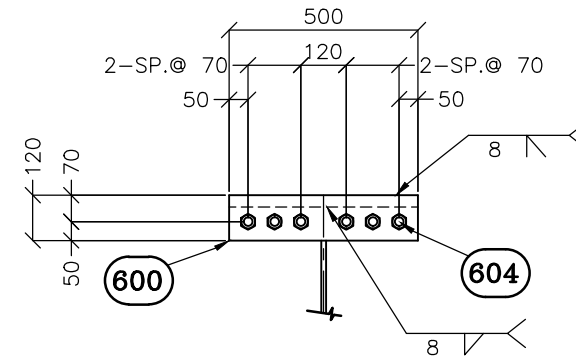
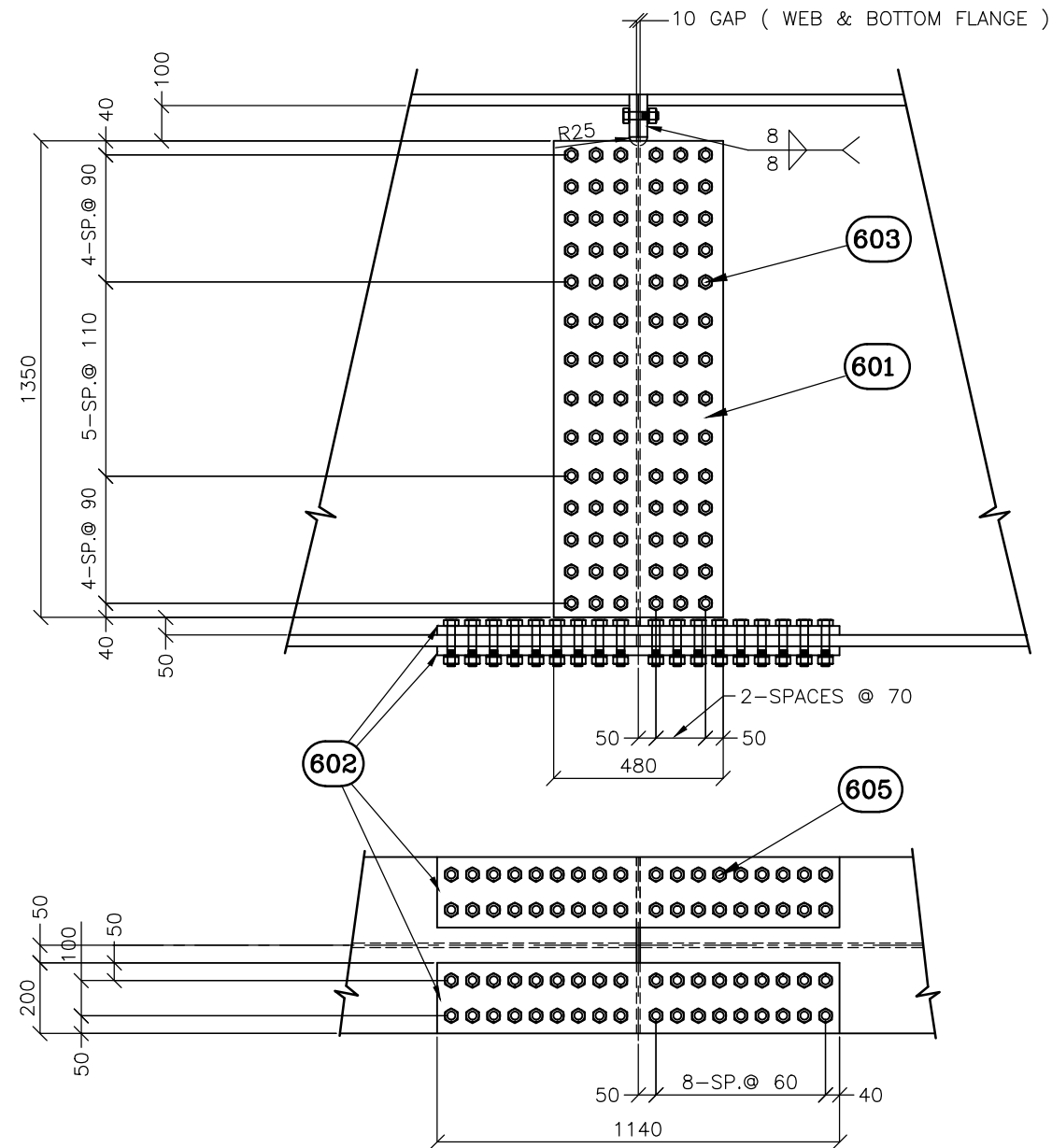


NOTE: RUNNING DIMENSIONS ARE PERPENDICULAR TO THE HORIZONTAL WORK LINE

RUNNING DIMENSIONS TO STIFFENERS (SEE DETAIL A-05)



*NOTE: TO 1/8 END PLATES



TYPICAL FIELD SPLICE DETAIL
SCALE 1:20

D
04 & 05

BILL OF MATERIALS - JOB # 6282

ITEM	QTY	DESCRIPTION OR NAME	SIZE	WT. LBS. TOTAL
600	4	TOP FLANGE SPLICE PLATE	25.4 x 120 x 500	105
601	4	WEB SPLICE PLATE	9.5 x 480 x 1350	426
602	8	BOTTOM FLANGE SPLICE PLATE	25.4 x 200 x 1140	801
603	168	GRADE A325 TYPE 3 BOLT ASSEMBLY	7/8" DIA. x 2 3/4" LONG	178
604	12	GRADE A325 TYPE 3 BOLT ASSEMBLY	7/8" DIA. x 3 1/2" LONG	14
605	144	GRADE A325 TYPE 3 BOLT ASSEMBLY	7/8" DIA. x 4 3/4" LONG	202

REV	DATE	DESCRIPTION	BY
0	JAN. 23, 14	ISSUED FOR CONSTRUCTION	RR
A	MAR. 11, 13	PRELIMINARY	RR



Web Site: <http://www.rapidspan.com> Tel: 1-800-661-2047

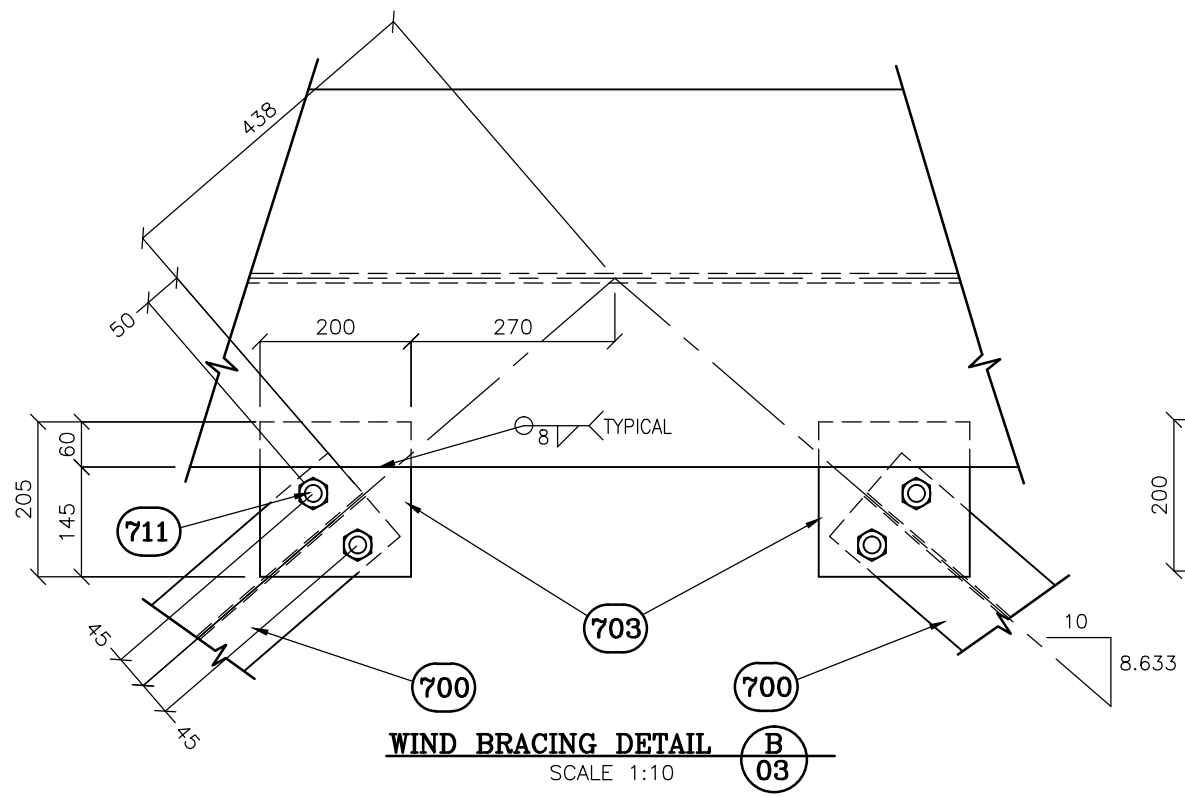
NOTICE: THIS DRAWING HAS NOT BEEN PUBLISHED AND IS THE SOLE PROPERTY OF RAPID-SPAN STRUCTURES LTD AND IS LENT TO THE BORROWER FOR HIS CONFIDENTIAL USE ONLY; AND IN CONSIDERATION OF THE LOAN OF THIS DRAWING, THE BORROWER PROMISES AND AGREES TO RETURN IT UPON REQUEST AND AGREES THAT IT SHALL NOT BE REPRODUCED, COPIED, LENT OR OTHERWISE DISPOSED OF DIRECTLY OR INDIRECTLY, NOR USED FOR ANY PURPOSE OTHER THAN THAT FOR WHICH IT WAS FURNISHED.

PROJECT:
NORTHSTAR ENERGY SERVICES INC.

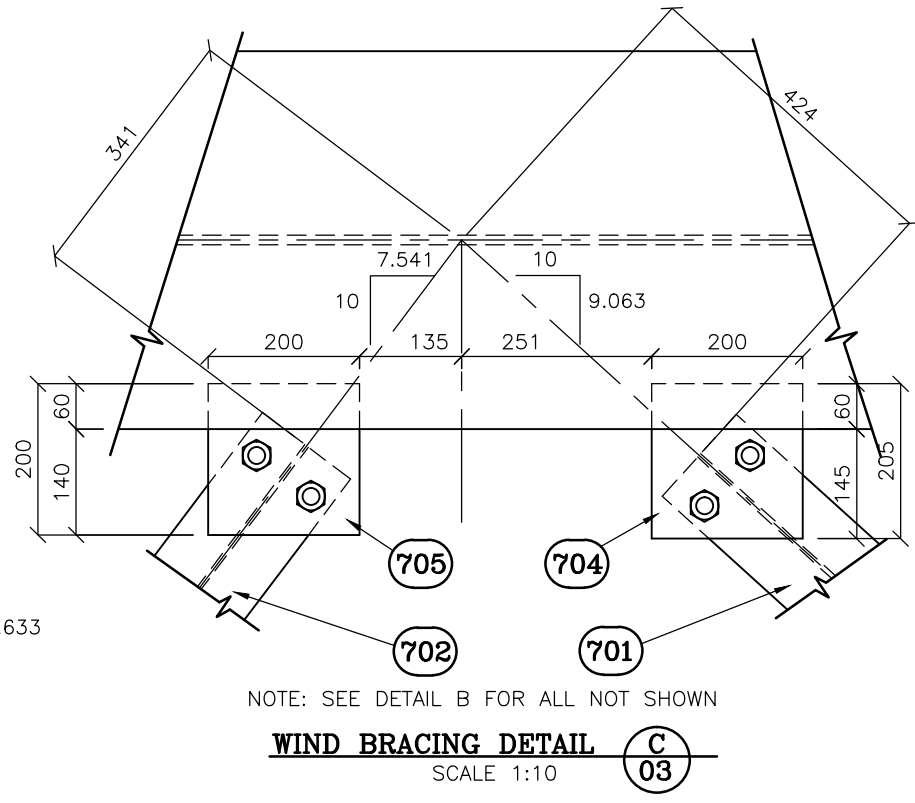
TITLE:
FIELD SPLICE DETAILS

ENG BY: AE	DATE: JAN. 2012	LEAD: RSB	JOB NO.: 6282
CAD BY: RON RIEMENS	DATE: MAR. 11, 13	SCALE: 1:20	SHEET 6 OF 13
APP BY: STEVE BUBURUZ	DATE: SEPT. 25, 13	DRAWING NUMBER:	
ISSUED BY: RON RIEMENS	DATE: JAN. 23, 14	RS-6282-06	

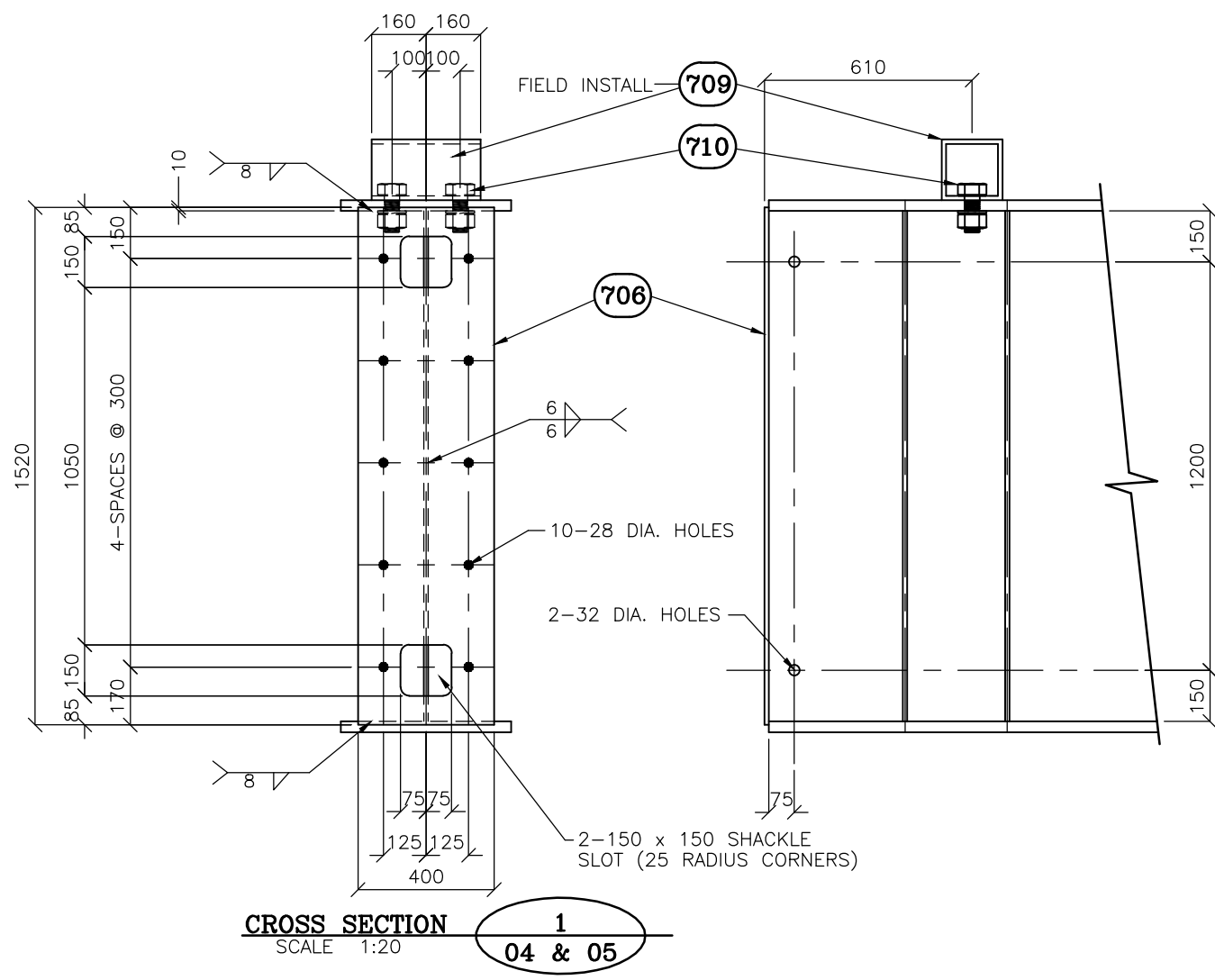




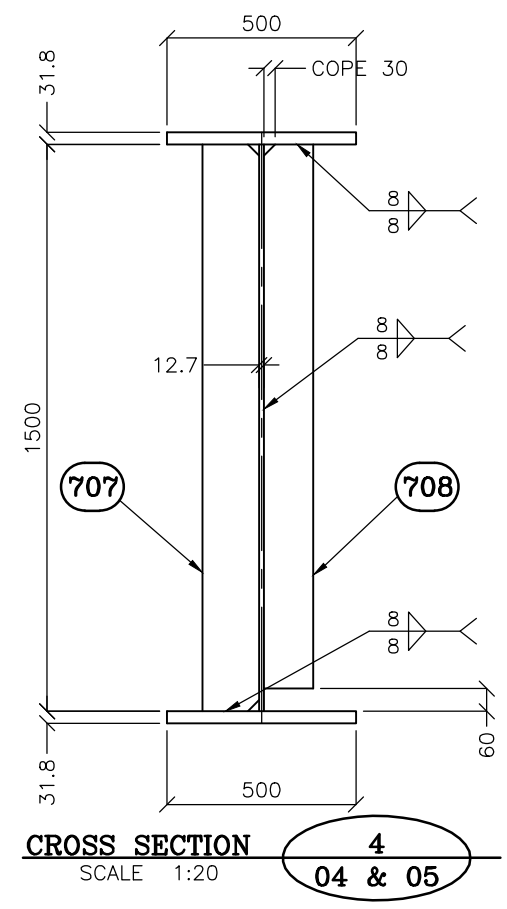
WIND BRACING DETAIL B
SCALE 1:10



NOTE: SEE DETAIL B FOR ALL NOT SHOWN
WIND BRACING DETAIL C
SCALE 1:10



CROSS SECTION 1
SCALE 1:20



CROSS SECTION 4
SCALE 1:20

BILL OF MATERIALS - JOB # 6282

ITEM	QTY	DESCRIPTION OR NAME	SIZE	WT. LBS. TOTAL
700	6	LATERAL BRACE DIAGONAL	WT125 @ 16.5 x 2796	605
701	4	LATERAL BRACE DIAGONAL	WT125 @ 16.5 x 2725	393
702	1	LATERAL BRACE DIAGONAL	WT125 @ 16.5 x 2324	84
703	12	GUSSET PLATE	9.5 x 200 x 205	81
704	8	GUSSET PLATE	9.5 x 200 x 205	54
705	2	GUSSET PLATE	9.5 x 200 x 200	13
706	4	END PLATE	12.7 x 400 x 1520	534
707	8	BEARING STIFFENERS	12.7 x 150 x 1500	395
708	4	WEB STIFFENER	12.7 x 130 x 1440	164
709	4	DECK STOP	178 x 178 x 6.4 HSS x 320	94
710	8	GRADE A325 TYPE 3 BOLT ASSEMBLY	7/8" DIA. x 3" LONG	9
711	44	GRADE A325 TYPE 3 BOLT ASSEMBLY	7/8" DIA. x 2" LONG	41

REV	DATE	DESCRIPTION	BY
0	JAN. 23, 14	ISSUED FOR CONSTRUCTION	RR
A	MAR. 11, 13	PRELIMINARY	RR



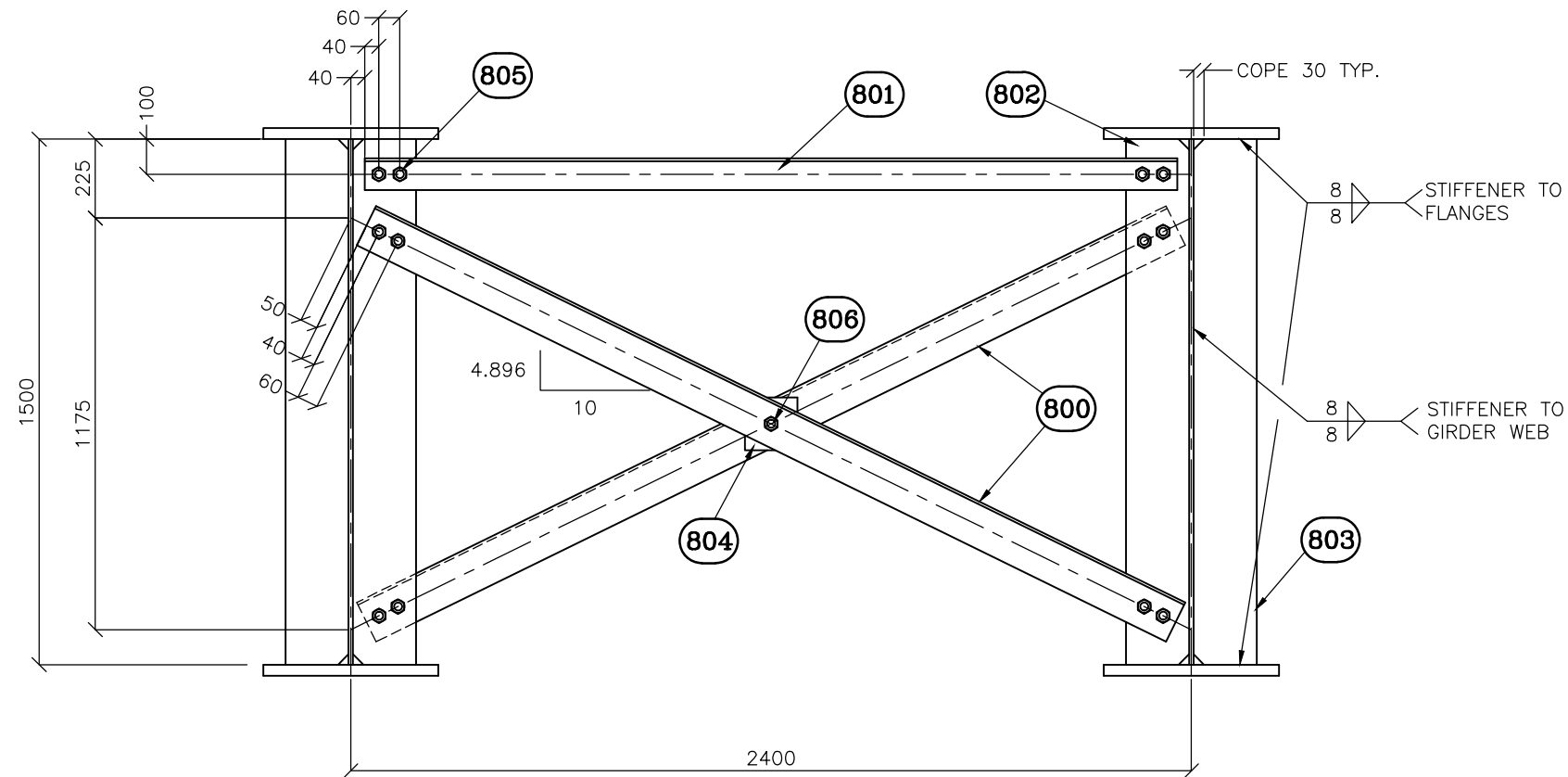
Web Site: <http://www.rapidspan.com> Tel: 1-800-661-2047

NOTICE: THIS DRAWING HAS NOT BEEN PUBLISHED AND IS THE SOLE PROPERTY OF RAPID-SPAN STRUCTURES LTD AND IS LENT TO THE BORROWER FOR HIS CONFIDENTIAL USE ONLY; AND IN CONSIDERATION OF THE LOAN OF THIS DRAWING, THE BORROWER PROMISES AND AGREES TO RETURN IT UPON REQUEST AND AGREES THAT IT SHALL NOT BE REPRODUCED, COPIED, LENT OR OTHERWISE DISPOSED OF DIRECTLY OR INDIRECTLY, NOR USED FOR ANY PURPOSE OTHER THAN THAT FOR WHICH IT WAS FURNISHED.

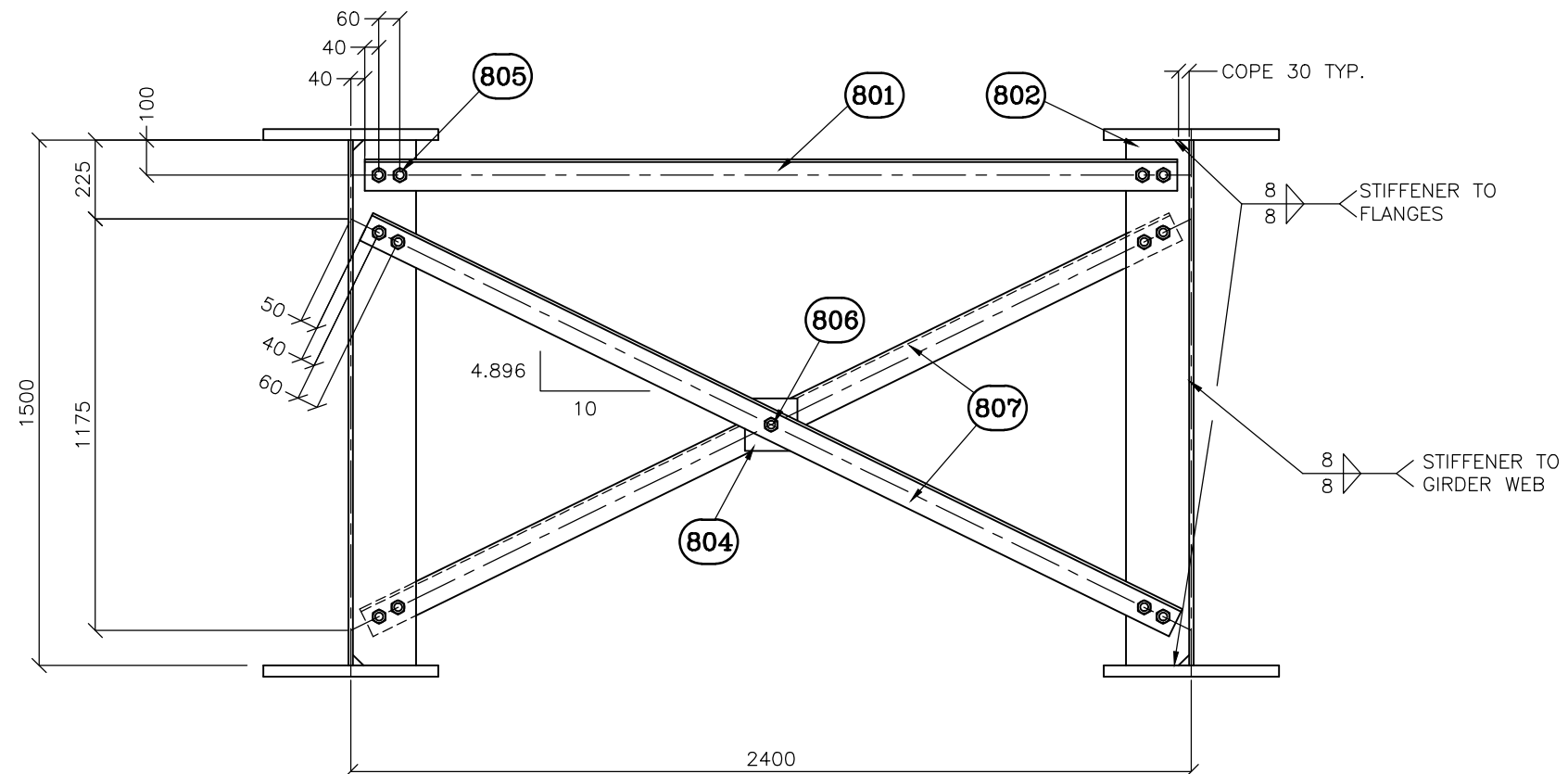
PROJECT:
NORTHSTAR ENERGY SERVICES INC.

TITLE:
GIRDER AND LATERAL BRACE DETAILS

ENG BY: AE	DATE: JAN. 2012	LEAD: RSB	JOB NO.: 6282
CAD BY: RON RIEMENS	DATE: MAR. 11, 13	SCALE: AS SHOWN	SHEET 7 OF 13
APP BY: STEVE BUBURUZ	DATE: SEPT. 25, 13	DRAWING NUMBER:	REV
ISSUED BY: RON RIEMENS	DATE: JAN. 23, 14	RS-6282-07	



TYPICAL D1 DIAPHRAGM CROSS SECTION 2
SCALE 1:20 03



TYPICAL INTERMEDIATE D2 DIAPHRAGM CROSS SECTION 3
SCALE 1:20 03

BILL OF MATERIALS - JOB # 6282

ITEM	QTY	DESCRIPTION OR NAME	SIZE	WT. LBS. TOTAL
800	4	D1 DIAPHRAGM DIAGONAL	L127 x 127 x 7.9 x 2572	346
801	7	DIAPHRAGM STRUT	L89 x 89 x 7.9 x 2320	378
802	14	DIAPHRAGM STIFFENER	12.7 x 180 x 1500	830
803	4	BEARING STIFFENER	12.7 x 180 x 1500	237
804	7	DIAPHRAGM SPACER	12.7 x 150 x 150	35
805	84	GRADE A325 TYPE 3 BOLT ASSEMBLY	7/8" DIA. x 2 1/4" LONG	82
806	7	GRADE A325 TYPE 3 BOLT ASSEMBLY	7/8" DIA. x 2 1/2" LONG	7
807	10	D2 DIAPHRAGM DIAGONAL	L89 x 89 x 7.9 x 2572	598

REV	DATE	DESCRIPTION	BY
0	JAN. 23, 14	ISSUED FOR CONSTRUCTION	RR
A	MAR. 11, 13	PRELIMINARY	RR



Web Site: <http://www.rapidspan.com>

Tel: 1-800-661-2047

NOTICE: THIS DRAWING HAS NOT BEEN PUBLISHED AND IS THE SOLE PROPERTY OF RAPID-SPAN STRUCTURES LTD AND IS LENT TO THE BORROWER FOR HIS CONFIDENTIAL USE ONLY; AND IN CONSIDERATION OF THE LOAN OF THIS DRAWING, THE BORROWER PROMISES AND AGREES TO RETURN IT UPON REQUEST AND AGREES THAT IT SHALL NOT BE REPRODUCED, COPIED, LENT OR OTHERWISE DISPOSED OF DIRECTLY OR INDIRECTLY, NOR USED FOR ANY PURPOSE OTHER THAN THAT FOR WHICH IT WAS FURNISHED.

PROJECT:

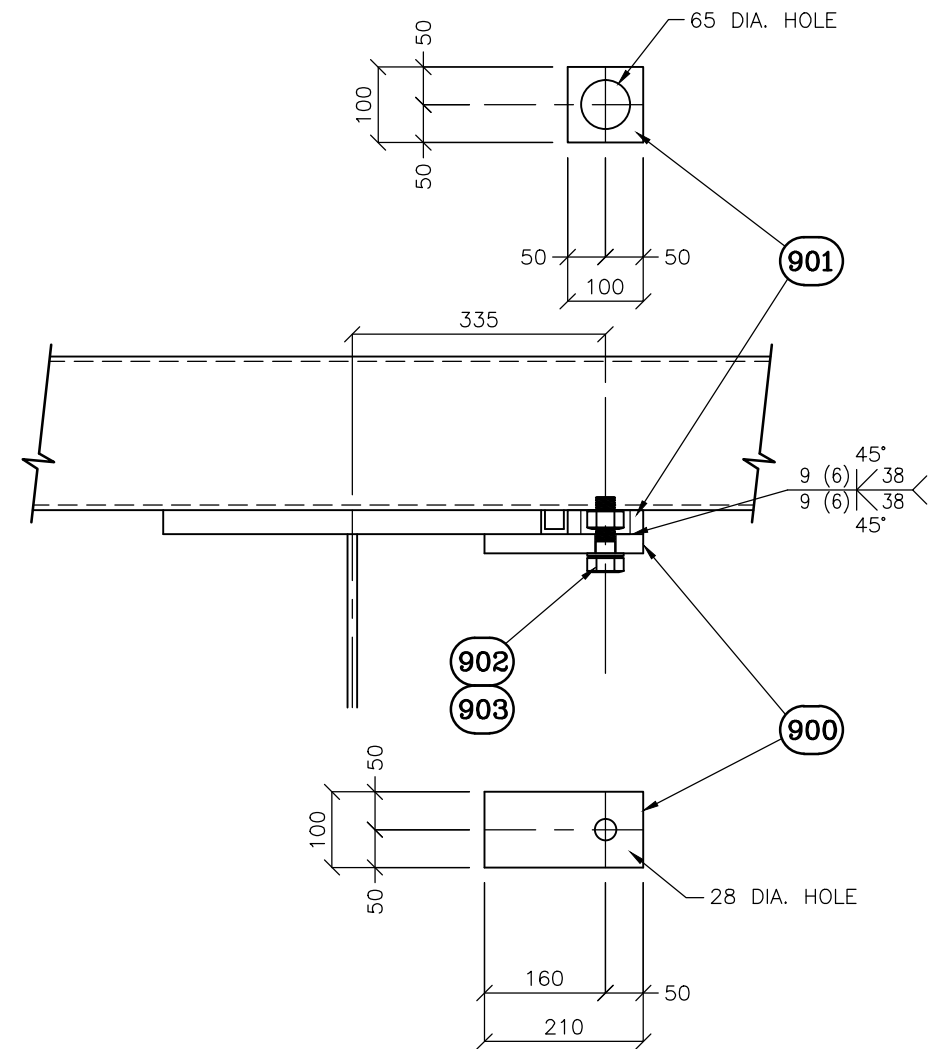
NORTHSTAR ENERGY SERVICES INC.

TITLE:

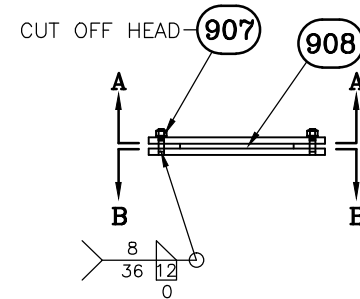
DIAPHRAGM DETAILS

ENG BY: AE	DATE: JAN. 2012	LEAD: RSB	JOB NO.: 6282
CAD BY: RON RIEMENS	DATE: MAR. 11, 13	SCALE: 1:20	SHEET 8 OF 13
APP BY: STEVE BUBURUZ	DATE: SEPT. 25, 13	DRAWING NUMBER:	
ISSUED BY: RON RIEMENS	DATE: JAN. 23, 14	RS-6282-08	

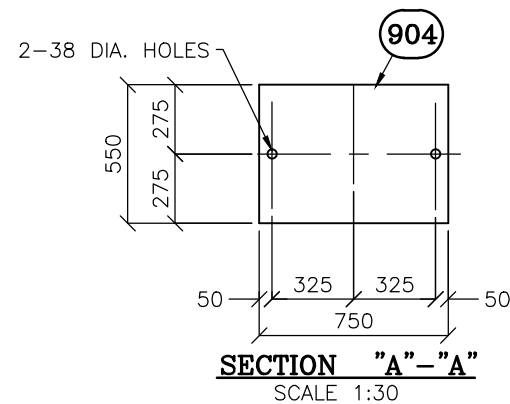




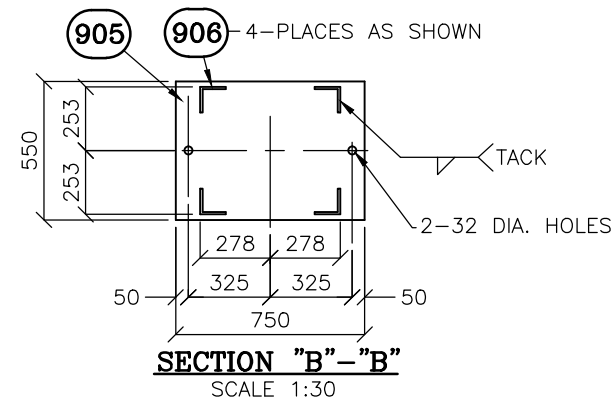
DECK CLIP PLATE ASSEMBLY DETAIL
SCALE 1:10



BEARING ASSEMBLY DETAIL
SCALE 1:30



SECTION "A"- "A"
SCALE 1:30



SECTION "B"- "B"
SCALE 1:30

BILL OF MATERIALS - JOB # 6282

ITEM	QTY	DESCRIPTION OR NAME	SIZE	WT. LBS. TOTAL
900	22	DECK CLIP PLATE	25.4 x 100 x 210	203
901	22	DECK CLIP PLATE SPACER	31.75 x 100 x 100	121
902	22	GRADE A307 HDG BOLT	1" DIA. x 3" LONG	21
903	22	FLAT WASHER	1" DIA.	4
904	4	BASE PLATE	25.4 x 550 x 750	725
905	4	SOLE PLATE	25.4 x 550 x 750	725
906	16	KEEPER ANGLES	L 102 x 102 x 9.5 x 10 LONG	5
907	8	GRADE A325 TYPE 1 BOLT ASSEMBLY	1 1/4" DIA. x 5" LONG	26
908	4	60 DUROMETER AASHTO NATURAL RUBBER BEARING PAD	25 x 500 x 550	62

REV	DATE	DESCRIPTION	BY
0	JAN. 23, 14	ISSUED FOR CONSTRUCTION	RR
A	MAR. 11, 13	PRELIMINARY	RR



Web Site: <http://www.rapidspan.com>

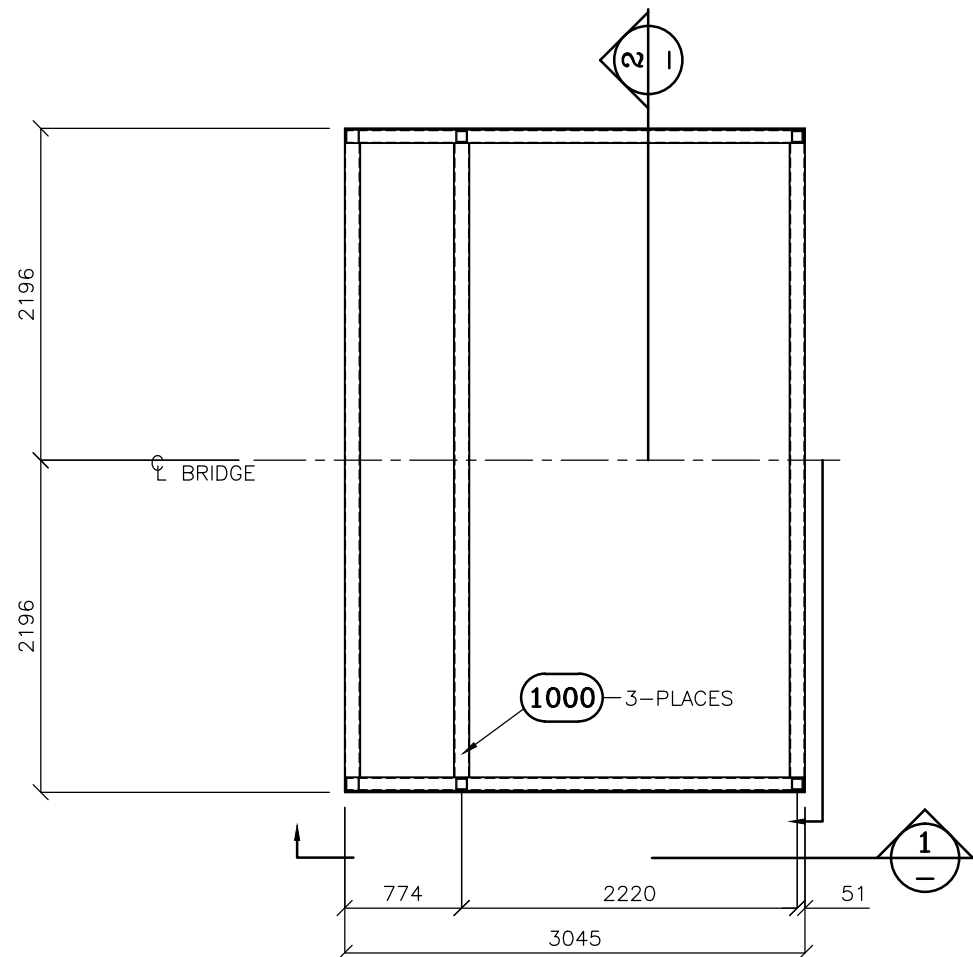
Tel: 1-800-661-2047

NOTICE: THIS DRAWING HAS NOT BEEN PUBLISHED AND IS THE SOLE PROPERTY OF RAPID-SPAN STRUCTURES LTD AND IS LENT TO THE BORROWER FOR HIS CONFIDENTIAL USE ONLY; AND IN CONSIDERATION OF THE LOAN OF THIS DRAWING, THE BORROWER PROMISES AND AGREES TO RETURN IT UPON REQUEST AND AGREES THAT IT SHALL NOT BE REPRODUCED, COPIED, LENT OR OTHERWISE DISPOSED OF DIRECTLY OR INDIRECTLY, NOR USED FOR ANY PURPOSE OTHER THAN THAT FOR WHICH IT WAS FURNISHED.

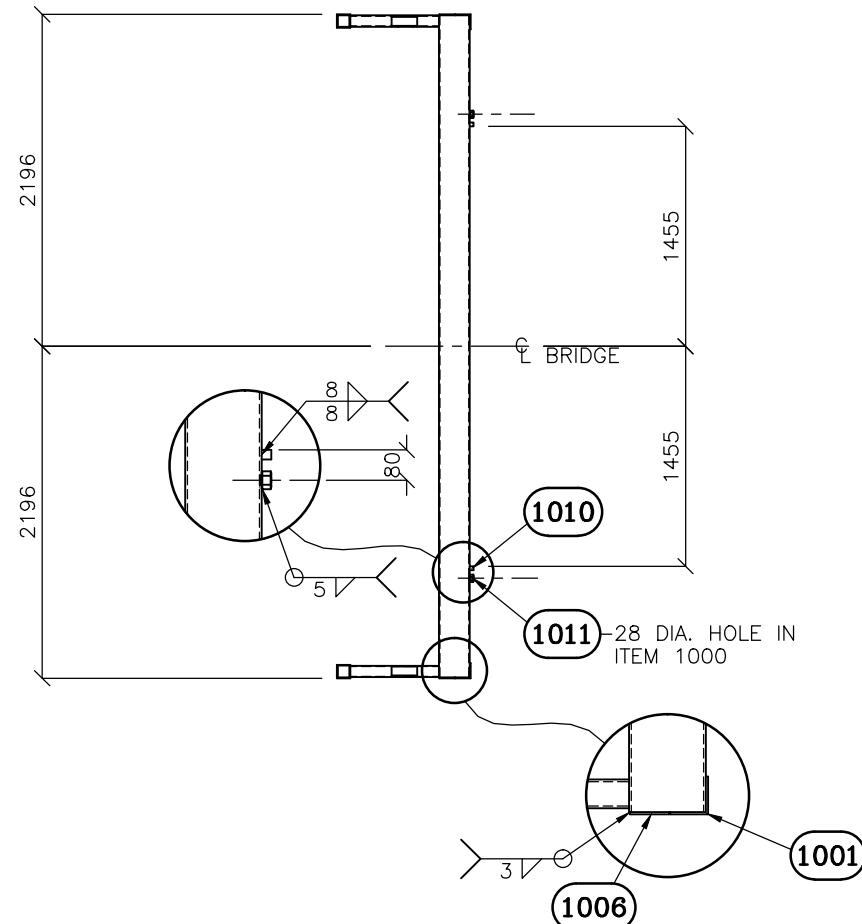
PROJECT:
NORTHSTAR ENERGY SERVICES INC.

TITLE:
DECK CLIP PLATE DETAILS

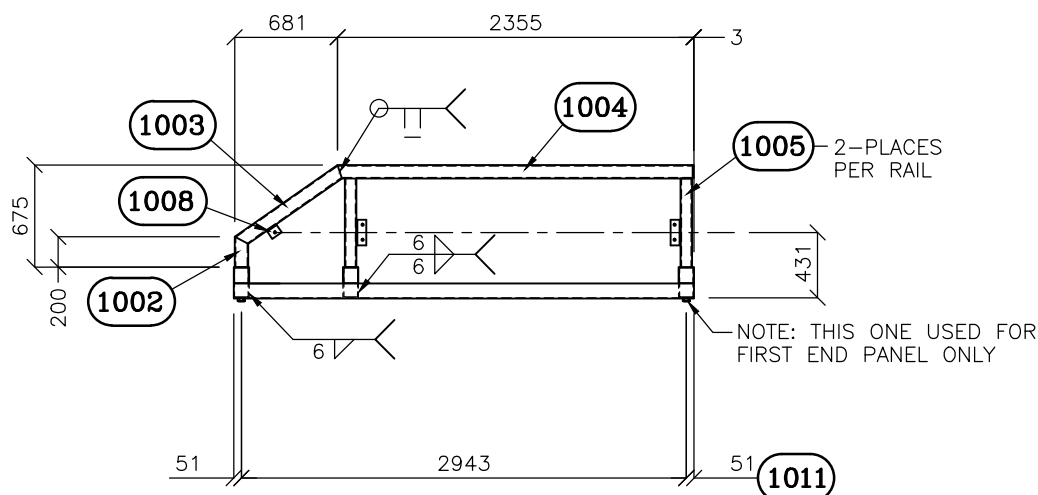
ENG BY: AE	DATE: JAN. 2012	LEAD: RSB	JOB NO.: 6282
CAD BY: RON RIEMENS	DATE: MAR. 11, 13	SCALE: AS SHOWN	SHEET 9 OF 13
APP BY: STEVE BUBURUZ	DATE: SEPT. 25, 13	DRAWING NUMBER:	REV
ISSUED BY: RON RIEMENS	DATE: JAN. 23, 14	RS-6282-09	△



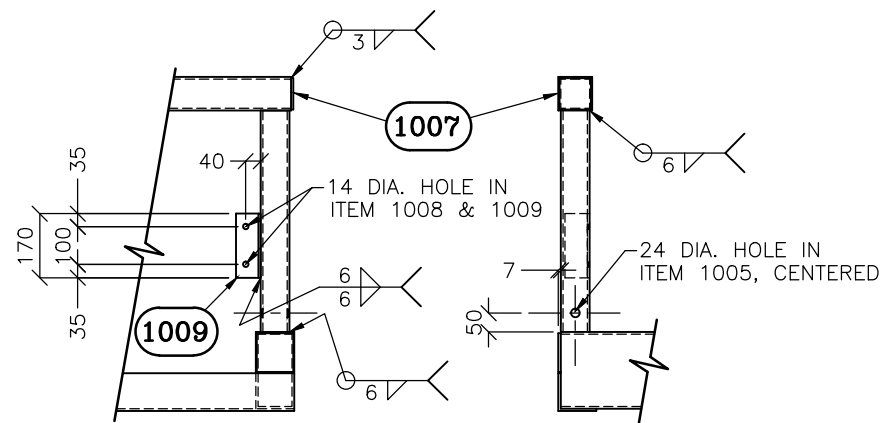
NOTE: 2-DECK PANELS REQUIRED
END DECK PANEL PLAN
 SCALE 1:50



END DECK PANEL CROSS SECTION
 SCALE 1:50



END DECK PANEL CROSS SECTION
 SCALE 1:50



DECK PANEL SPLICE DETAIL
 SCALE 1:20

BILL OF MATERIALS - JOB # 6282

ITEM	QTY	DESCRIPTION OR NAME	SIZE	WT LBS. TOTAL
1000	22	FRAME STRUT MEMBER	203 x 101 x 6 HSS x 4380	6007
1001	20	FRAME LONGITUDINAL MEMBER	L102 x 102 x 6.4 L x 3045	1333
1002	4	VERTICAL RAIL	89 x 89 x 6 HSS x 200	28
1003	4	DIAGONAL RAIL	89 x 89 x 6 HSS x 830	114
1004	4	HORIZONTAL RAIL	89 x 89 x 6 HSS x 2349	324
1005	40	RAIL POST	76 x 76 x 6 HSS x 586	675
1006	44	FRAME STRUT CAP PLATE	6.35 x 95 x 104	48
1007	36	RAIL CAP PLATE	6.35 x 83 x 83	27
1008	4	SINGLE CLIP ANGLE	65 x 65 x 6 L x 75	4
1009	40	DOUBLE CLIP ANGLE	65 x 65 x 6 L x 170	88
1010	40	DECK KEEPER	25.4 x 25.4 x 50	22
1011	40	HDG NUT	1" DIA.	4

REV	DATE	DESCRIPTION	BY
0	JAN. 23, 14	ISSUED FOR CONSTRUCTION	RR
A	MAR. 11, 13	PRELIMINARY	RR



Web Site: <http://www.rapidspan.com>

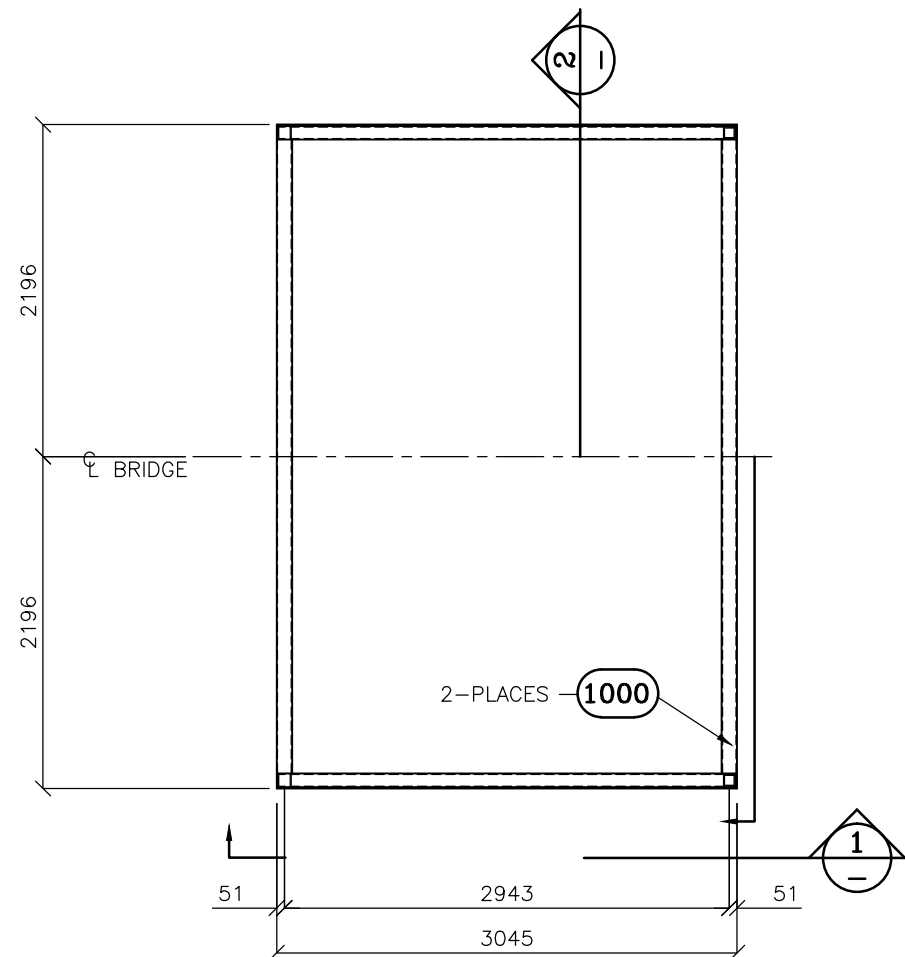
Tel: 1-800-661-2047

NOTICE: THIS DRAWING HAS NOT BEEN PUBLISHED AND IS THE SOLE PROPERTY OF RAPID-SPAN STRUCTURES LTD AND IS LENT TO THE BORROWER FOR HIS CONFIDENTIAL USE ONLY; AND IN CONSIDERATION OF THE LOAN OF THIS DRAWING, THE BORROWER PROMISES AND AGREES TO RETURN IT UPON REQUEST AND AGREES THAT IT SHALL NOT BE REPRODUCED, COPIED, LENT OR OTHERWISE DISPOSED OF DIRECTLY OR INDIRECTLY, NOR USED FOR ANY PURPOSE OTHER THAN THAT FOR WHICH IT WAS FURNISHED.

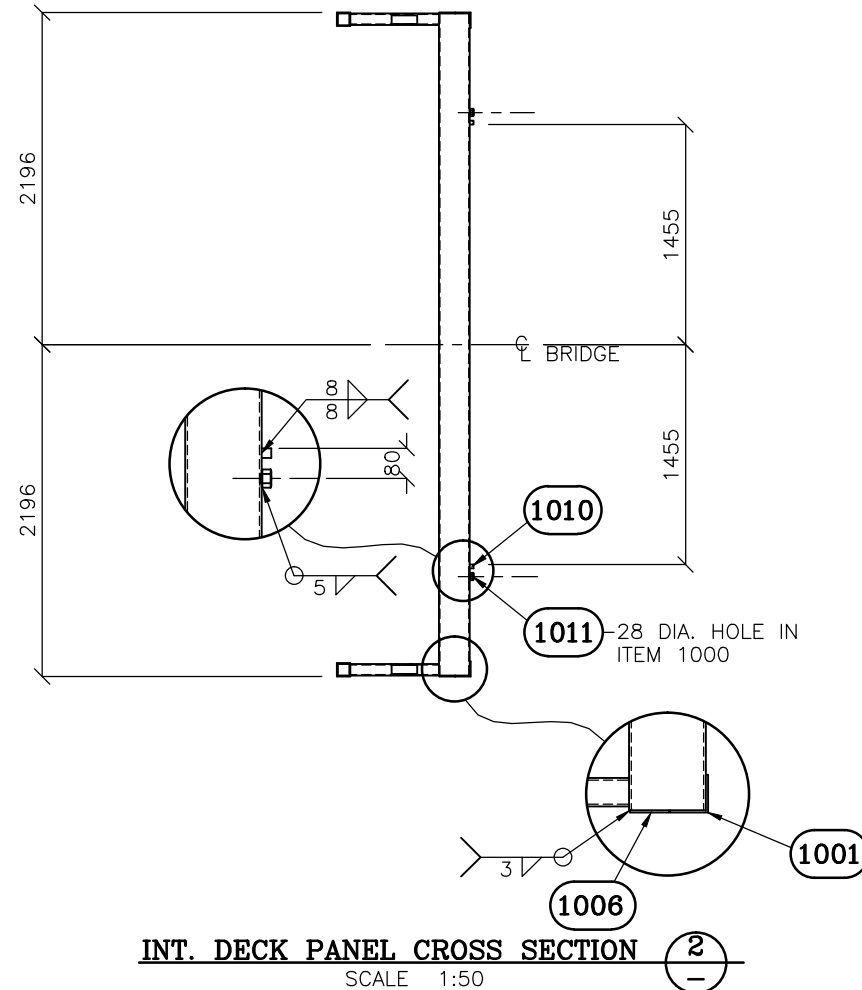
PROJECT:
NORTHSTAR ENERGY SERVICES INC.

TITLE:
END DECK PANEL STEEL FRAME DETAILS

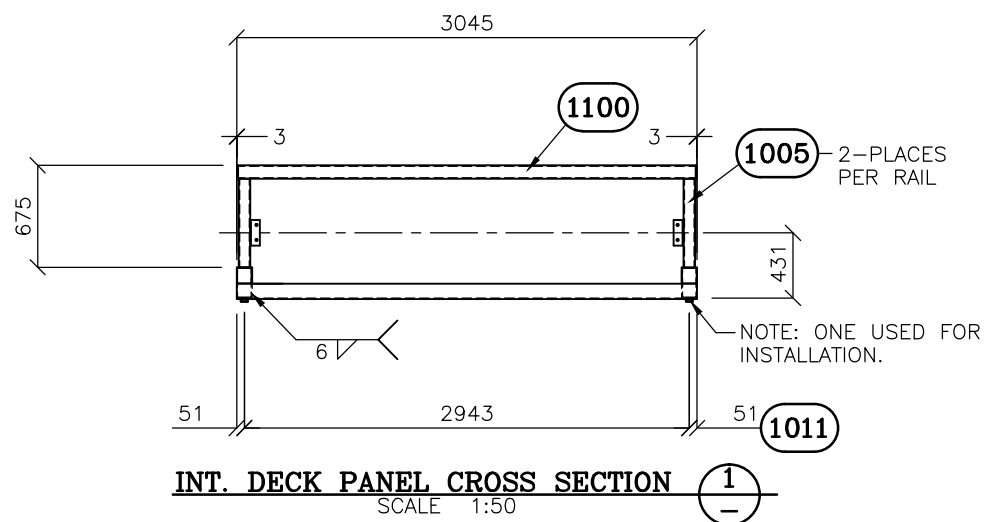
ENG BY: AE	DATE: JAN. 2012	LEAD: RSB	JOB NO.: 6282
CAD BY: RON RIEMENS	DATE: MAR. 11, 13	SCALE: AS SHOWN	SHEET 10 OF 13
APP BY: STEVE BUBURUZ	DATE: SEPT. 25, 13	DRAWING NUMBER:	REV
ISSUED BY: RON RIEMENS	DATE: JAN. 23, 14	RS-6282-10	



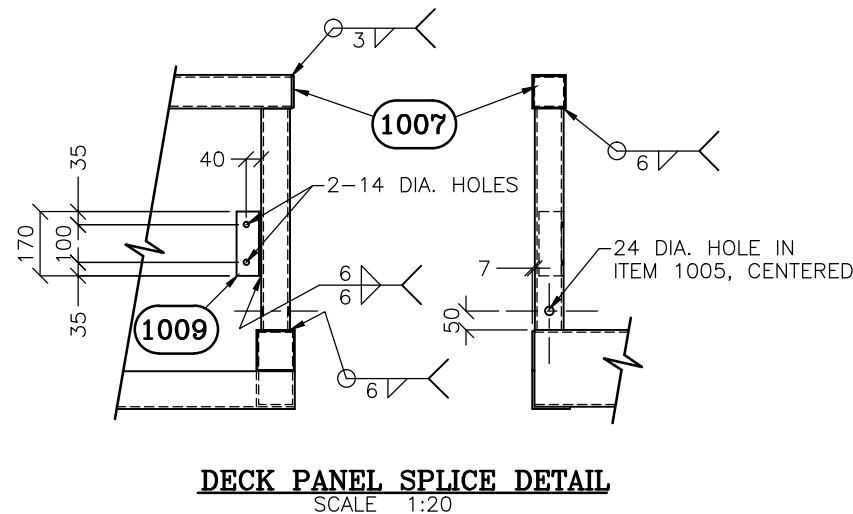
NOTE: 8-DECK PANELS REQUIRED
INTERMEDIATE DECK PANEL PLAN
 SCALE 1:50



INT. DECK PANEL CROSS SECTION
 SCALE 1:50



INT. DECK PANEL CROSS SECTION
 SCALE 1:50



DECK PANEL SPLICE DETAIL
 SCALE 1:20

BILL OF MATERIALS - JOB # 6282

ITEM	QTY	DESCRIPTION OR NAME	SIZE	WT LBS.
1100	16	HORIZONTAL RAIL	89 x 89 x 6 HSS x 3027	1668

REV	DATE	DESCRIPTION	BY
0	JAN. 23, 14	ISSUED FOR CONSTRUCTION	RR
A	MAR. 11, 13	PRELIMINARY	RR



Web Site: <http://www.rapidspan.com>

Tel: 1-800-661-2047

NOTICE: THIS DRAWING HAS NOT BEEN PUBLISHED AND IS THE SOLE PROPERTY OF RAPID-SPAN STRUCTURES LTD AND IS LENT TO THE BORROWER FOR HIS CONFIDENTIAL USE ONLY; AND IN CONSIDERATION OF THE LOAN OF THIS DRAWING, THE BORROWER PROMISES AND AGREES TO RETURN IT UPON REQUEST AND AGREES THAT IT SHALL NOT BE REPRODUCED, COPIED, LENT OR OTHERWISE DISPOSED OF DIRECTLY OR INDIRECTLY, NOR USED FOR ANY PURPOSE OTHER THAN THAT FOR WHICH IT WAS FURNISHED.

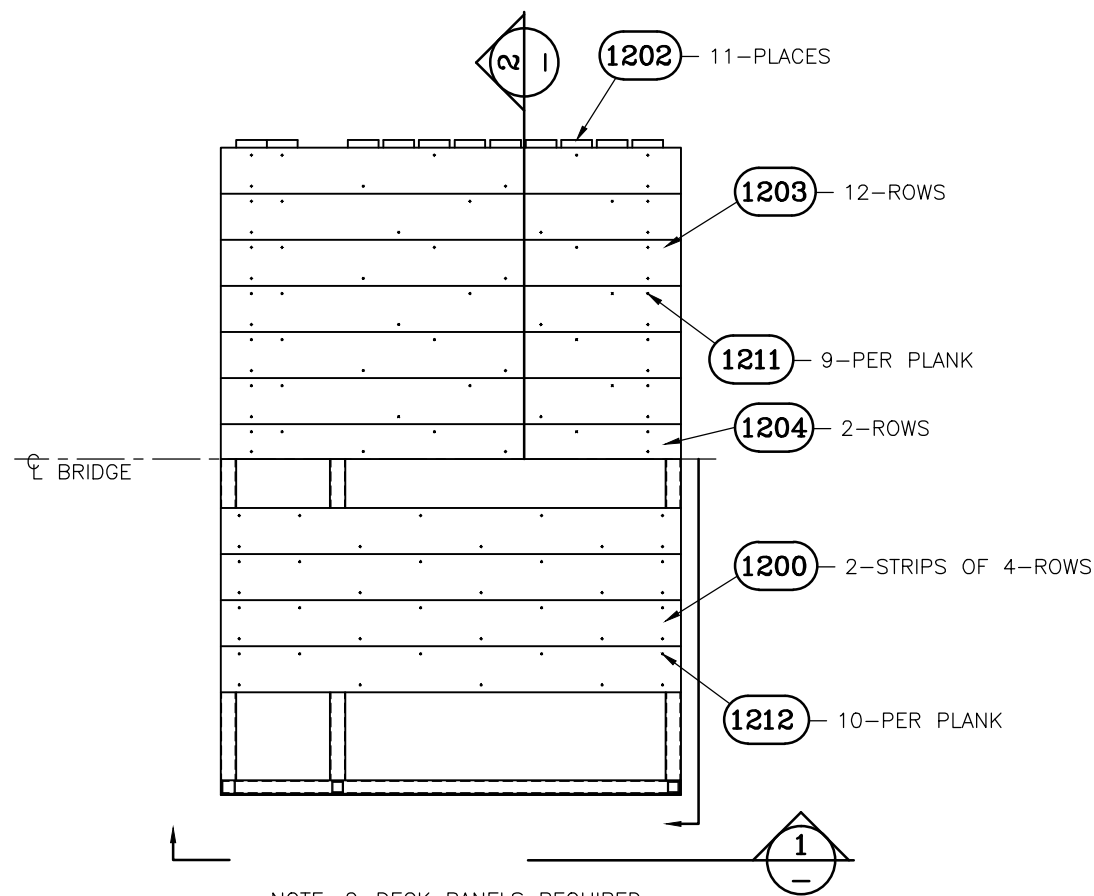
PROJECT:

NORTHSTAR ENERGY SERVICES INC.

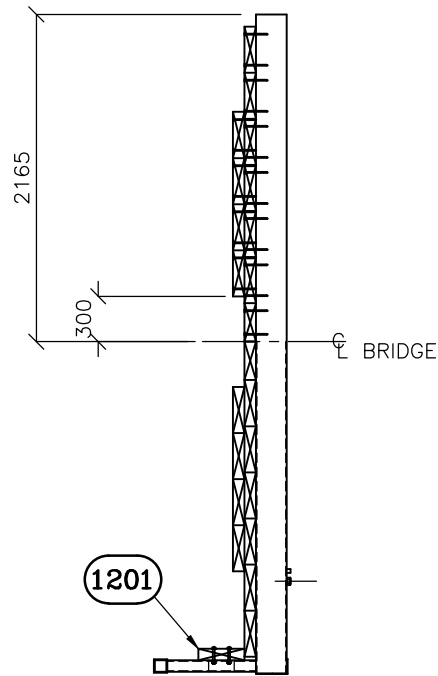
TITLE:

INTERMEDIATE DECK PANEL STEEL FRAME DETAILS

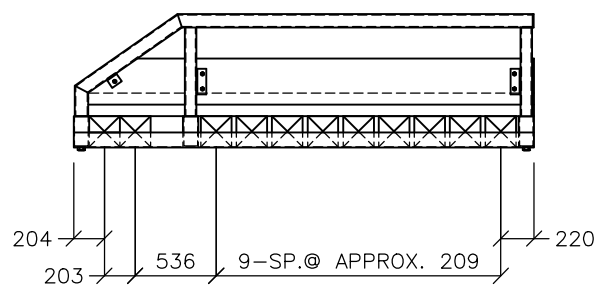
ENG BY: AE	DATE: JAN. 2012	LEAD: RSB	JOB NO.: 6282
CAD BY: RON RIEMENS	DATE: MAR. 11, 13	SCALE: AS SHOWN	SHEET 11 OF 13
APP BY: STEVE BUBURUZ	DATE: SEPT. 25, 13	DRAWING NUMBER:	REV
ISSUED BY: RON RIEMENS	DATE: JAN. 23, 14	RS-6282-11	



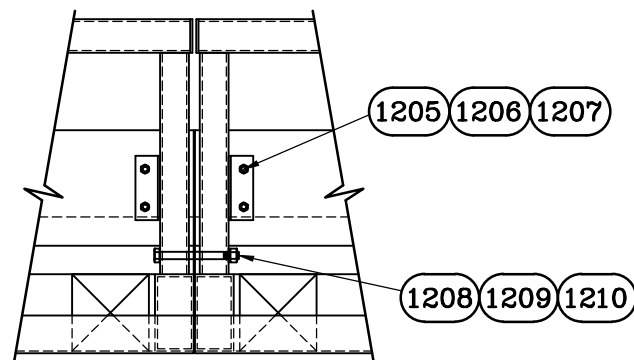
NOTE: 2-DECK PANELS REQUIRED
END DECK PANEL PLAN
 SCALE 1:50



END DECK PANEL CROSS SECTION
 SCALE 1:50



END DECK PANEL CROSS SECTION
 SCALE 1:50



DECK PANEL SPlice DETAIL
 SCALE 1:20

BILL OF MATERIALS - JOB # 6282

ITEM	QTY	DESCRIPTION OR NAME	SIZE	WEIGHT LBS.
1200	80	UNTREATED RUNNING DECK PLANKS	3" x 12" x 10'-0"	4080
1201	4	UNTREATED MUD GUARD PLANKS	3" x 12" x 10'-0"	204
1202	126	CCA TREATED CROSS TIE	8" x 8" x 14'-2 1/2"	21005
1203	120	CCA TREATED SUB DECK PLANKS	3" x 12" x 10'-0"	7920
1204	20	CCA TREATED SUB DECK PLANKS	3" x 10" x 10'-0"	1100
1205	84	GRADE A307 HDG CARRIAGE BOLT	1/2" DIA. x 4" LONG	32
1206	84	HDG NUT	1/2" DIA.	3
1207	84	HDG FLAT WASHER	1/2" DIA.	3
1208	22	GRADE A307 HDG BOLT	3/4" DIA. x 9" LONG	27
1209	22	HDG NUT	3/4" DIA.	3
1210	22	HDG FLAT WASHER	3/4" DIA.	2
1211	1372	BRITE COMMON SPIKE	5/16" DIA. x 8" LONG	274
1212	800	BRITE COMMON SPIKE	1/4" DIA. x 6" LONG	80

ESTIMATED WEIGHT: 4,708 LBS. EACH

REV	DATE	DESCRIPTION	BY
0	JAN. 23, 14	ISSUED FOR CONSTRUCTION	RR
A	MAR. 11, 13	PRELIMINARY	RR



Web Site: <http://www.rapidspan.com>

Tel: 1-800-661-2047

NOTICE: THIS DRAWING HAS NOT BEEN PUBLISHED AND IS THE SOLE PROPERTY OF RAPID-SPAN STRUCTURES LTD AND IS LENT TO THE BORROWER FOR HIS CONFIDENTIAL USE ONLY; AND IN CONSIDERATION OF THE LOAN OF THIS DRAWING, THE BORROWER PROMISES AND AGREES TO RETURN IT UPON REQUEST AND AGREES THAT IT SHALL NOT BE REPRODUCED, COPIED, LENT OR OTHERWISE DISPOSED OF DIRECTLY OR INDIRECTLY, NOR USED FOR ANY PURPOSE OTHER THAN THAT FOR WHICH IT WAS FURNISHED.

PROJECT:

NORTHSTAR ENERGY SERVICES INC.

TITLE:

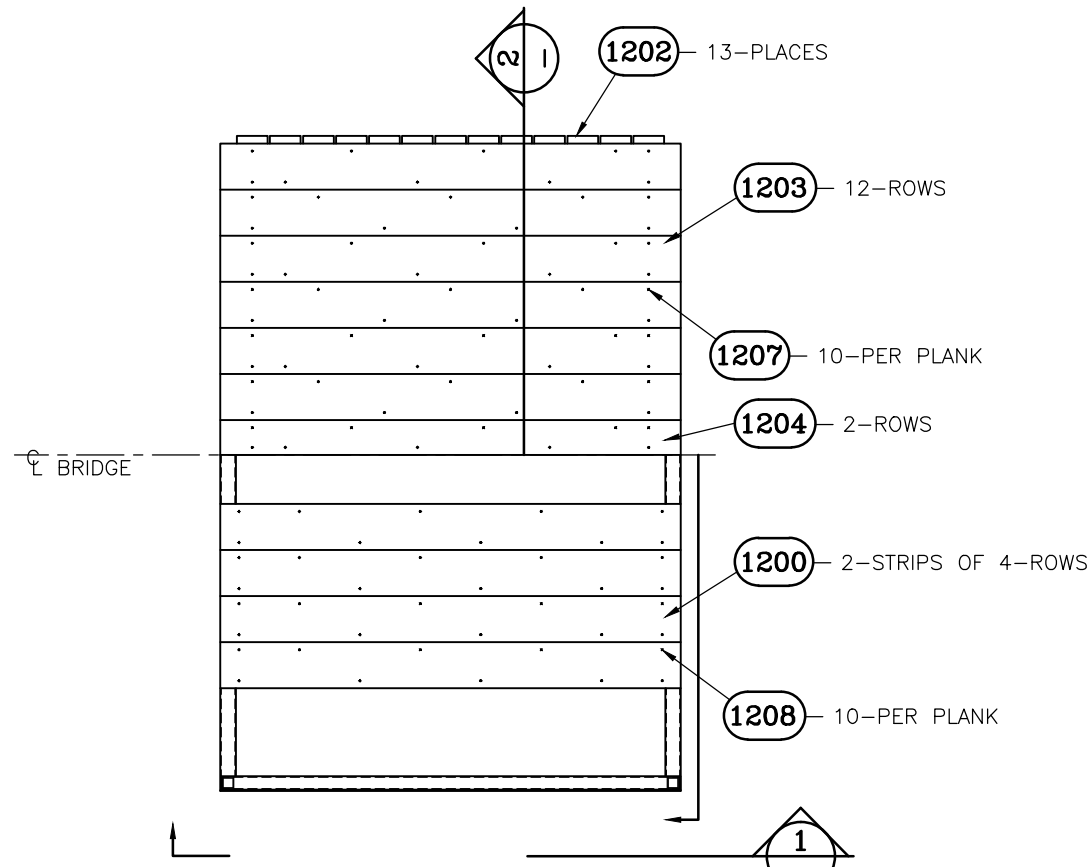
END TIMBER DECK PANEL ASSEMBLY

ENG BY: AE	DATE: JAN. 2012	LEAD: RSB	JOB NO.: 6282
CAD BY: RON RIEMENS	DATE: MAR. 11, 13	SCALE: AS SHOWN	SHEET 12 OF 13
APP BY: STEVE BUBURUZ	DATE: SEPT. 25, 13	DRAWING NUMBER:	REV
ISSUED BY: RON RIEMENS	DATE: JAN. 23, 14	RS-6282-12	

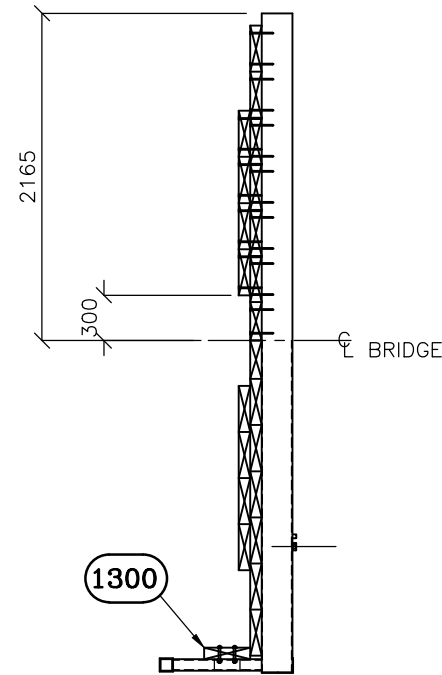
BILL OF MATERIALS - JOB # 6282

ITEM	QTY	DESCRIPTION OR NAME	SIZE	WEIGHT LBS.
1300	16	UNTREATED MUD GUARD PLANKS	3" x 12" x 10'-0"	816

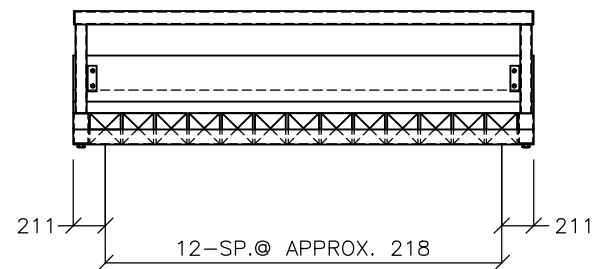
ESTIMATED WEIGHT: 4,744 LBS. EACH



NOTE: 8-DECK PANELS REQUIRED
INTERMEDIATE DECK PANEL PLAN
 SCALE 1:50



INT. DECK PANEL CROSS SECTION
 SCALE 1:50



INT. DECK PANEL CROSS SECTION
 SCALE 1:50

REV	DATE	DESCRIPTION	BY
0	JAN. 23, 14	ISSUED FOR CONSTRUCTION	RR
A	MAR. 11, 13	PRELIMINARY	RR



Web Site: <http://www.rapidspan.com> Tel: 1-800-661-2047

NOTICE: THIS DRAWING HAS NOT BEEN PUBLISHED AND IS THE SOLE PROPERTY OF RAPID-SPAN STRUCTURES LTD AND IS LENT TO THE BORROWER FOR HIS CONFIDENTIAL USE ONLY; AND IN CONSIDERATION OF THE LOAN OF THIS DRAWING, THE BORROWER PROMISES AND AGREES TO RETURN IT UPON REQUEST AND AGREES THAT IT SHALL NOT BE REPRODUCED, COPIED, LENT OR OTHERWISE DISPOSED OF DIRECTLY OR INDIRECTLY, NOR USED FOR ANY PURPOSE OTHER THAN THAT FOR WHICH IT WAS FURNISHED.

PROJECT:
NORTHSTAR ENERGY SERVICES INC.

TITLE:
INTERMEDIATE TIMBER DECK PANEL ASSEMBLY

ENG BY: AE	DATE: JAN. 2012	LEAD: RSB	JOB NO.: 6282
CAD BY: RON RIEMENS	DATE: MAR. 11, 13	SCALE: AS SHOWN	SHEET 13 OF 13
APP BY: STEVE BUBURUZ	DATE: SEPT. 25, 13	DRAWING NUMBER:	REV
ISSUED BY: RON RIEMENS	DATE: JAN. 23, 14	RS-6282-13	