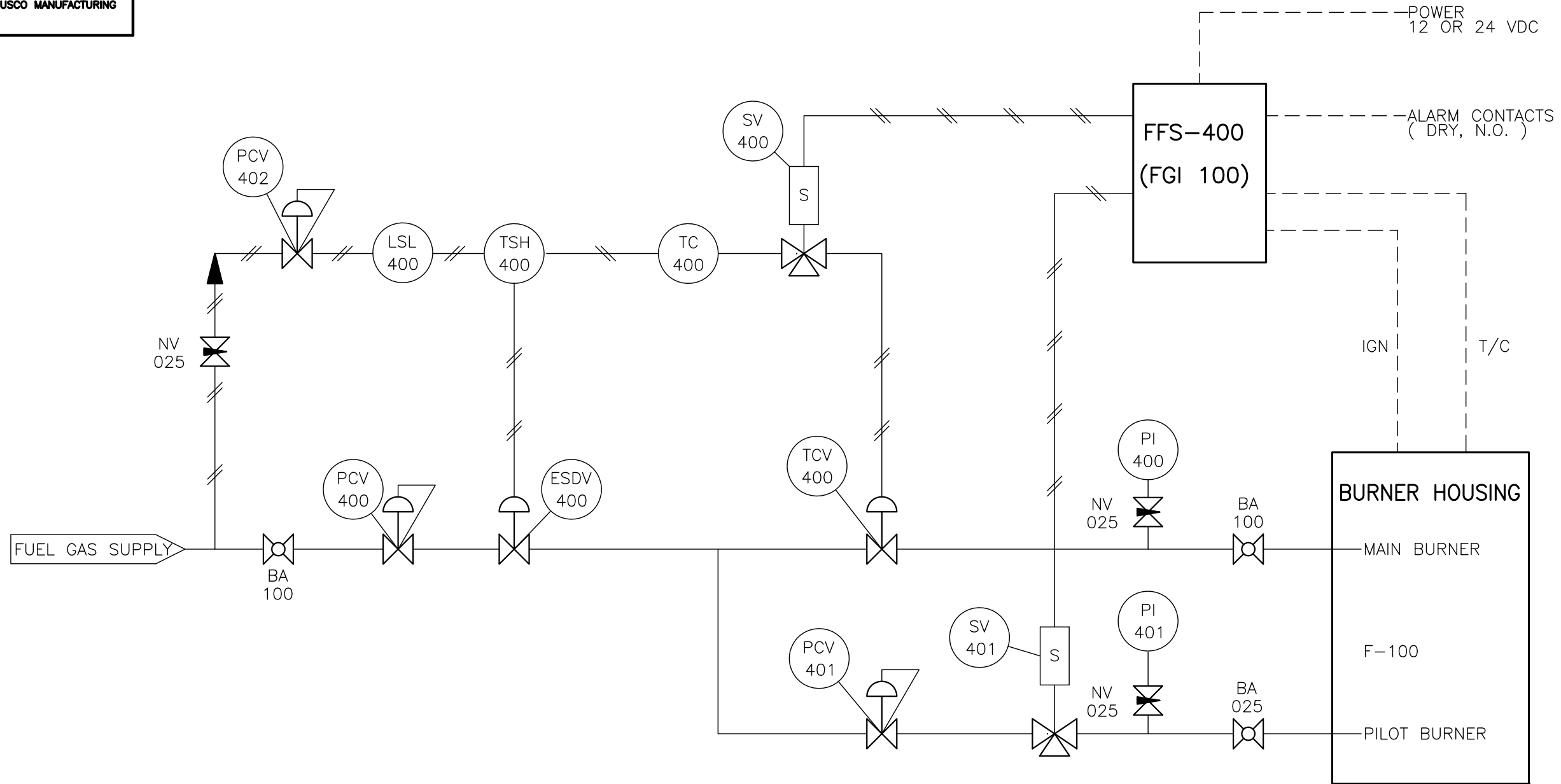


THIS DRAWING IS THE PROPERTY OF NUSCO MANUFACTURING & SUPPLY LTD. AND IS LENT TO THE RECIPIENT FOR THEIR CONFIDENTIAL USE ONLY. IN CONSIDERATION OF THE LOAN OF THIS DRAWING, THE RECIPIENT AGREES THAT IT SHALL NOT BE USED IN ANY WAY DETRIMENTAL TO THE INTERESTS OF NUSCO MANUFACTURING & SUPPLY LTD. THAT IT SHALL BE RETURNED UPON REQUEST AND THAT IT SHALL NOT BE REPRODUCED, COPIED, LENT OR OTHERWISE DISPOSED OF DIRECTLY OR INDIRECTLY WITHOUT THE WRITTEN PERMISSION OF NUSCO MANUFACTURING & SUPPLY LTD.



				NUSCO SUPPLY & MANUFACTURING INC.			
				CUSTOMER HUSKY OIL OPERATIONS c/o BDR ENGINEERING LTD.			
				TITLE GAS MANIFOLD ASSEMBLY P & ID		TAG: T-710	
				LOCATION SPRING CREEK COMPRESSOR STATION		QUOTATION FILE No. T0322-03Q01	
0	03/10/31	DB		ISSUED FOR CONSTRUCTION			
REV	DATE	REV BY	APP'D BY	DESCRIPTION	APPR:	SCALE	W.O. NO.
					DATE: 97/03/12	NTS	007182-70
						DRWG. NO.	REV
						T2199-001	0